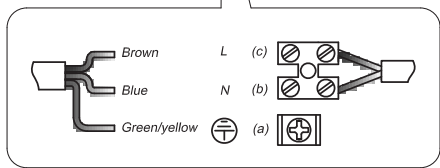
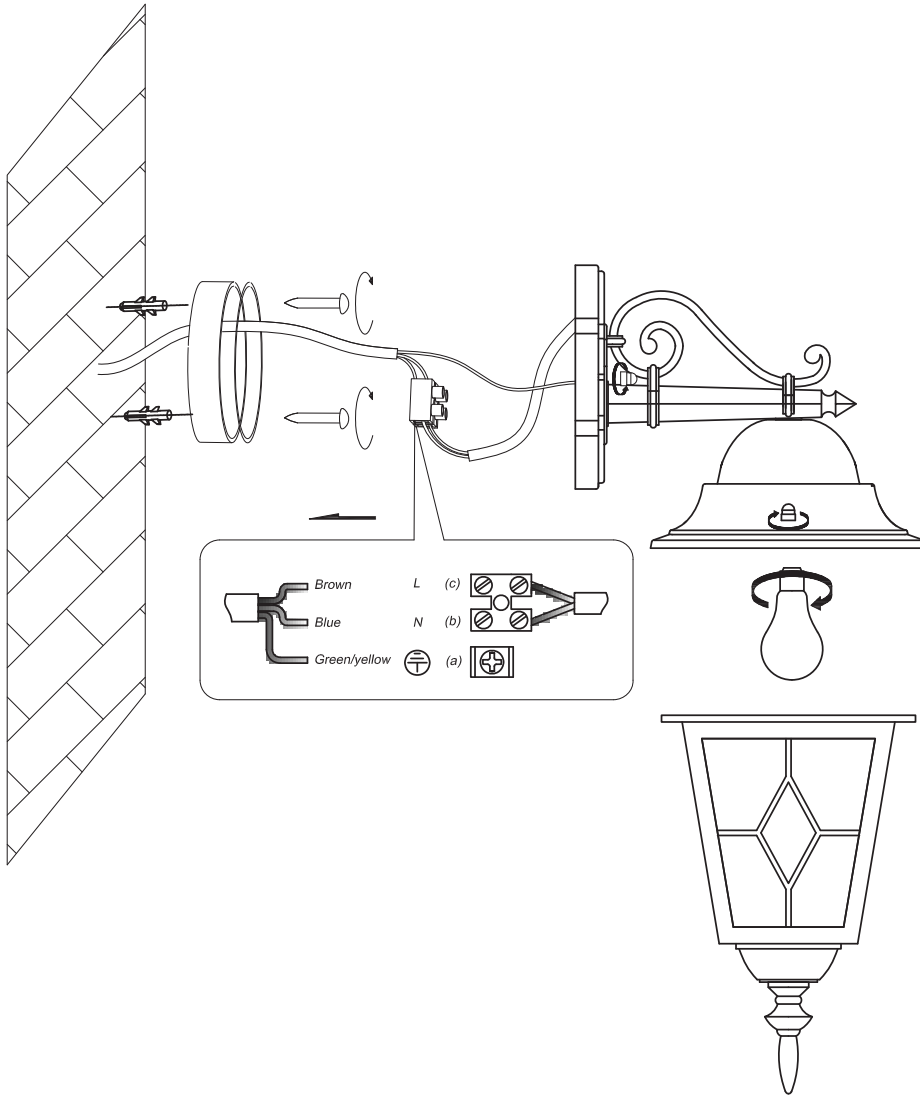


INSTRUCTION MANUAL

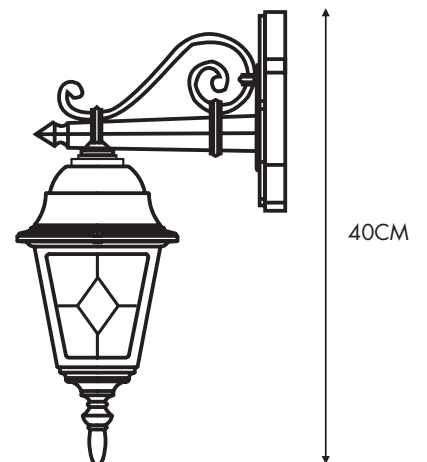


Antigua WL Antic
93623



Overall Size:

25.5CM



18.2CM