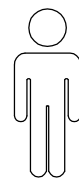
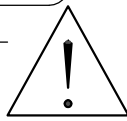
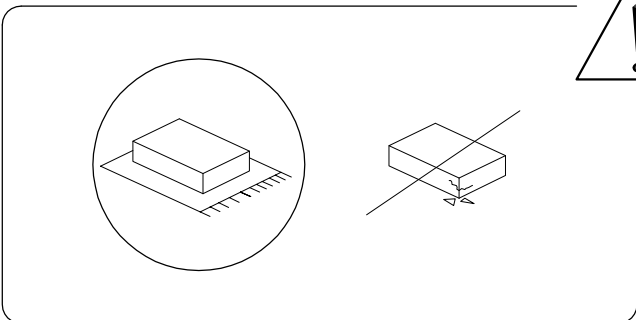
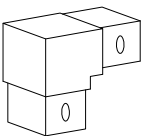




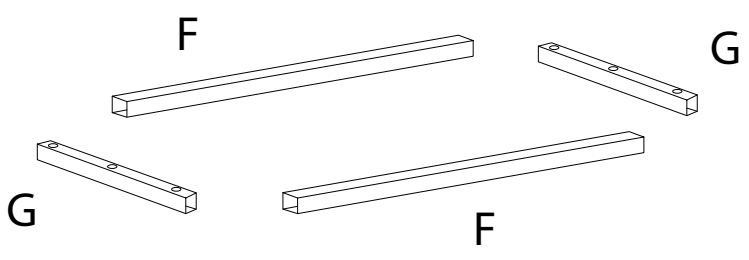
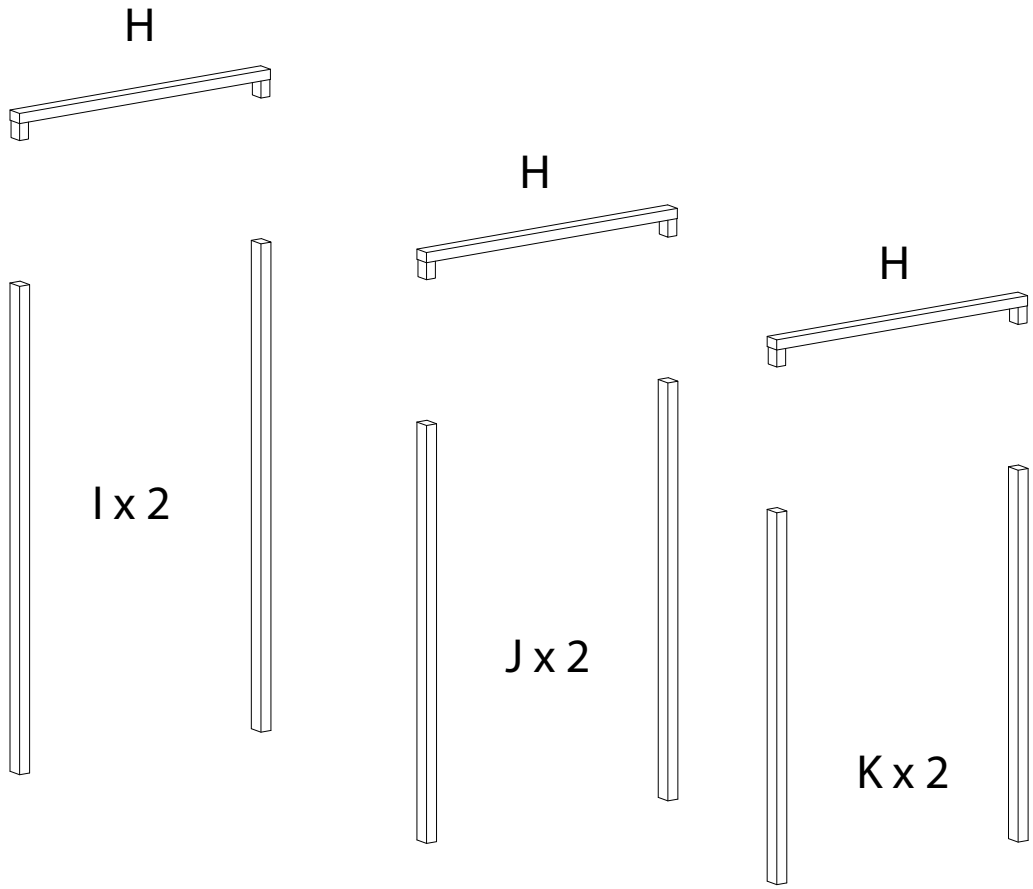
10'



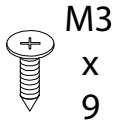
1

1/5

<p>A</p>  <p>x 4</p>	<p>B</p>  <p>x 4</p>	<p>C</p>  <p>M6 x 34</p> <p>x 6</p>
---	---	---

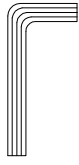


D



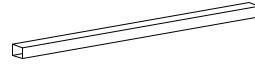
x 6

E



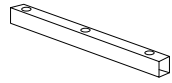
x 1

F



x 2

G



x 2

H



x 3

I



x 2

J



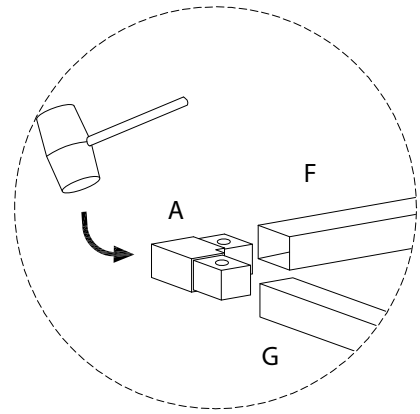
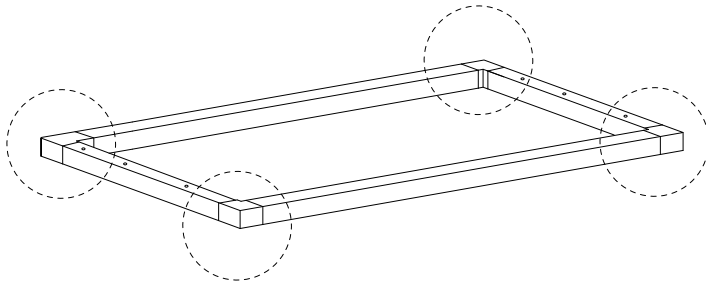
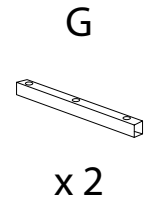
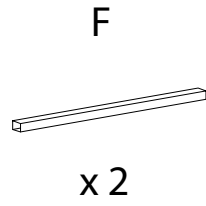
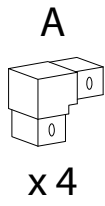
x 2

K

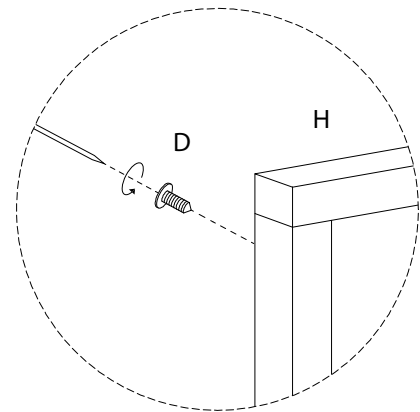
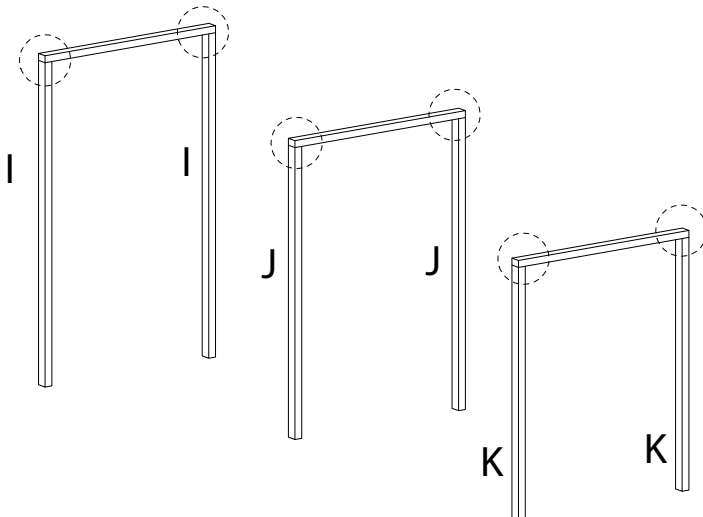
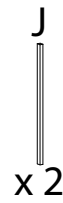
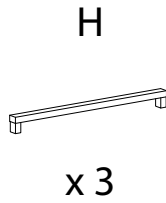
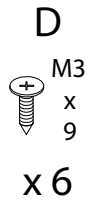


x 2

1



2



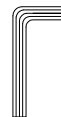
3

C

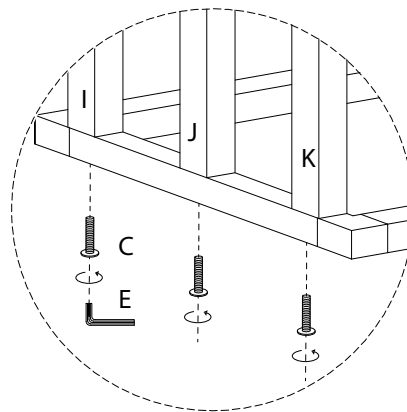
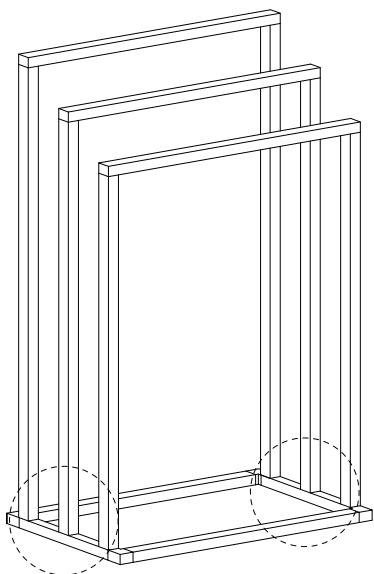


x 6

E



x 1



4

B



x 4

