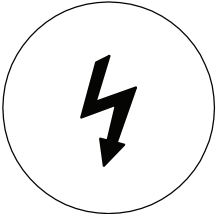


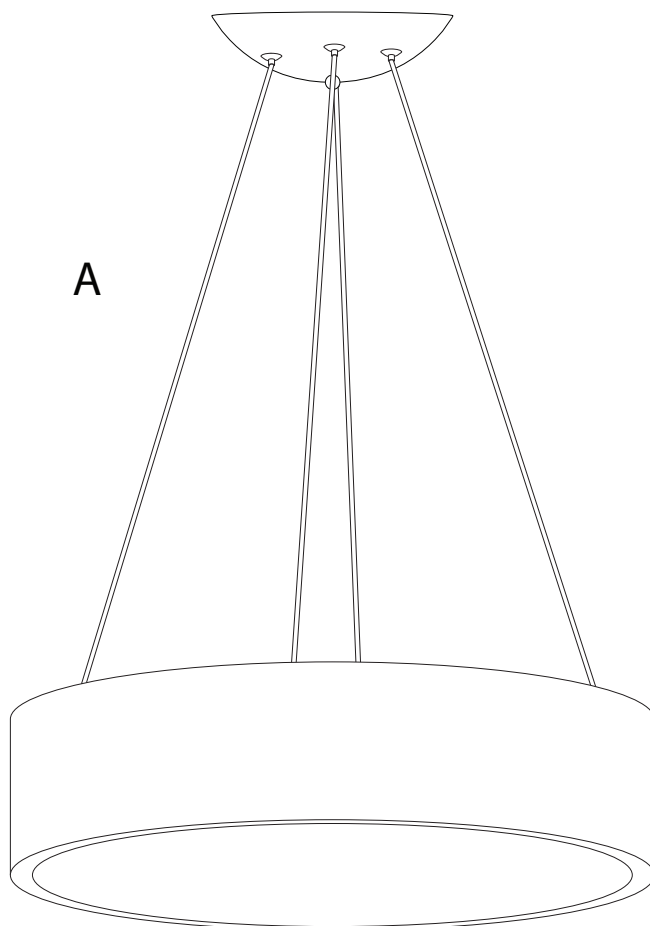
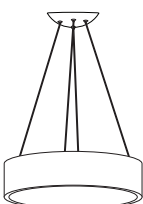
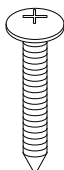

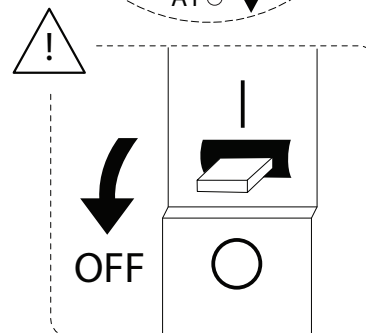
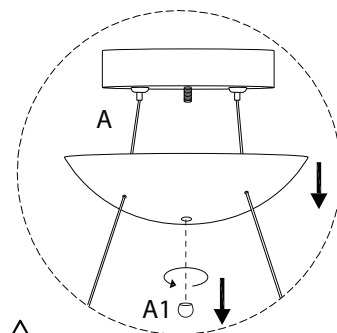
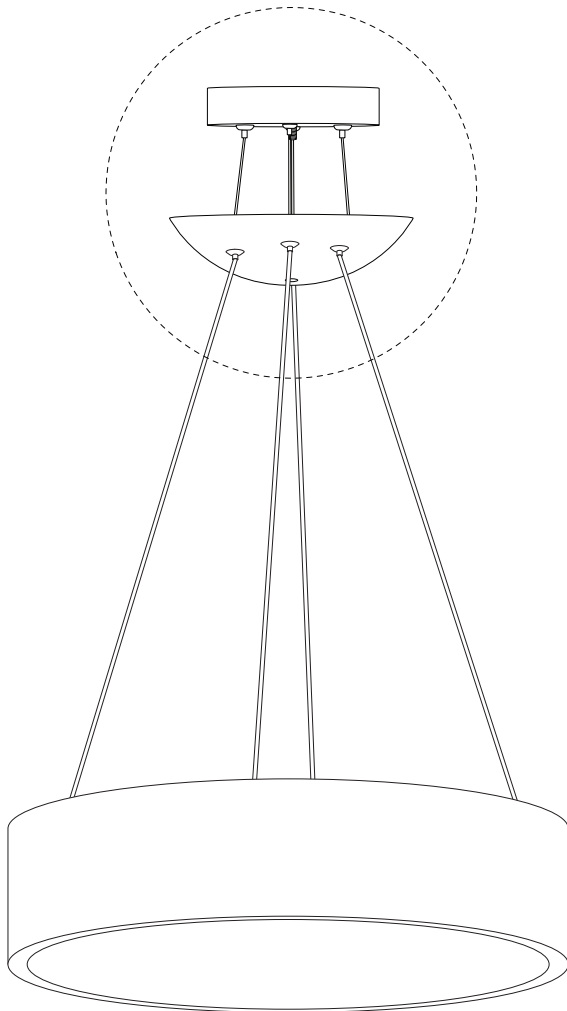
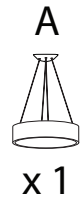

		10'
		
		1

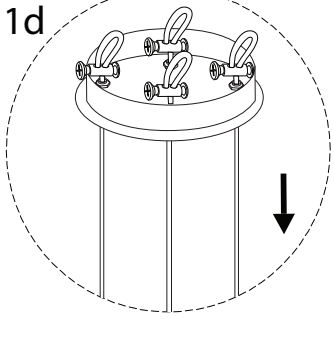
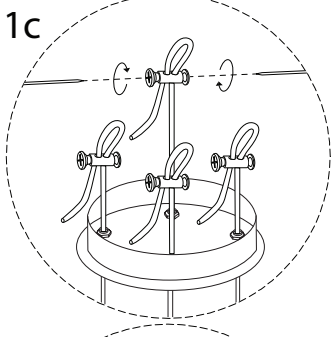
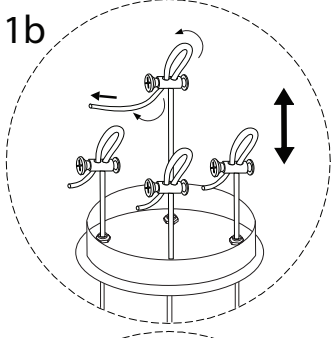
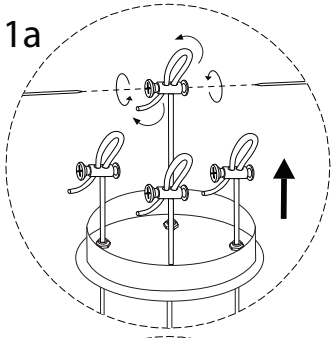
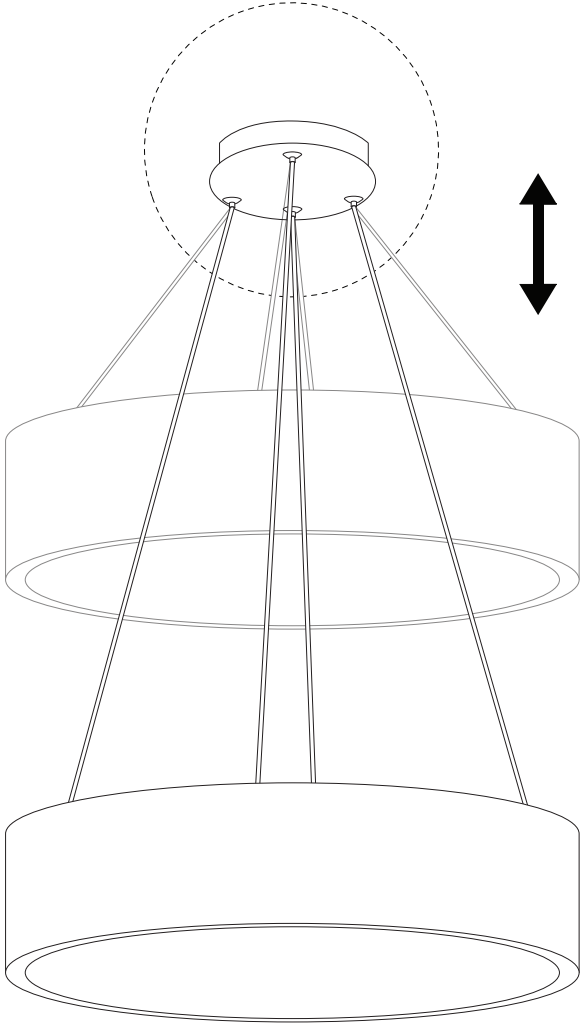


<p>A</p>  <p>x 1</p>	<p>B</p>  <p>x 2</p>	<p>C</p>  <p>x 2</p>
---	---	---

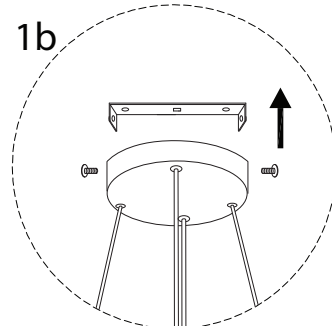
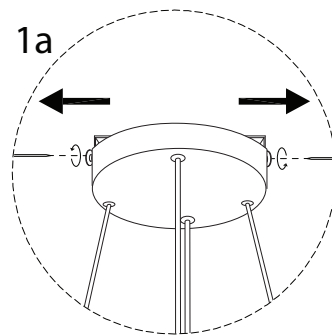
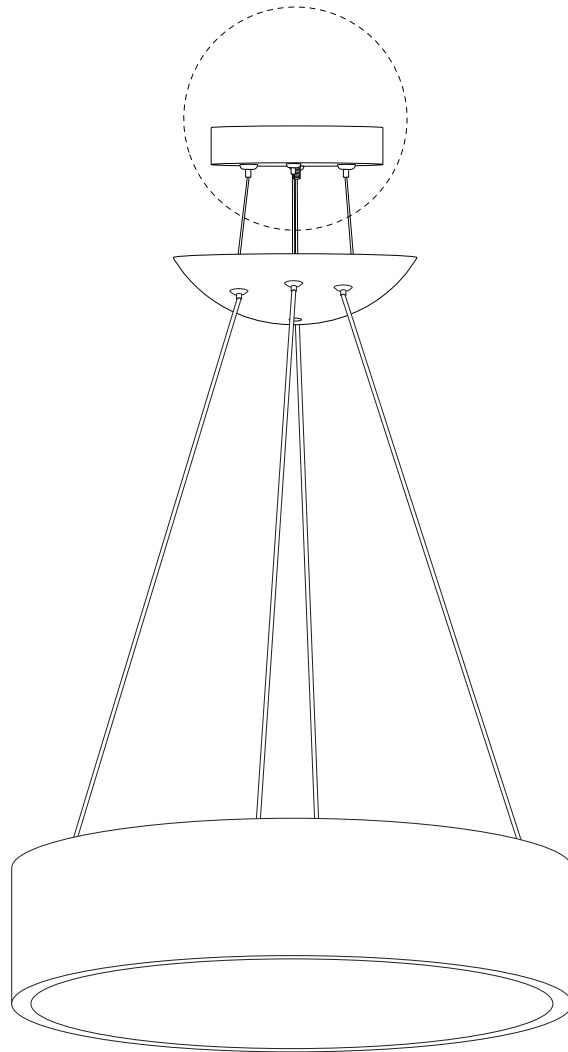
1



!

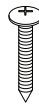


2



3

B

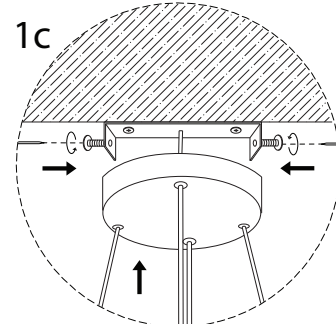
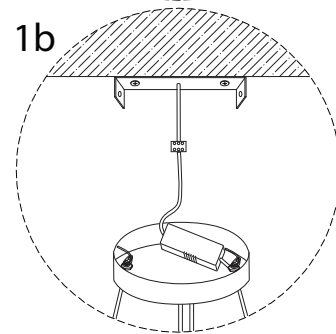
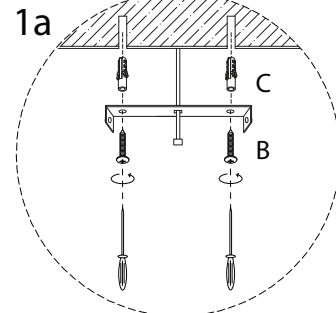
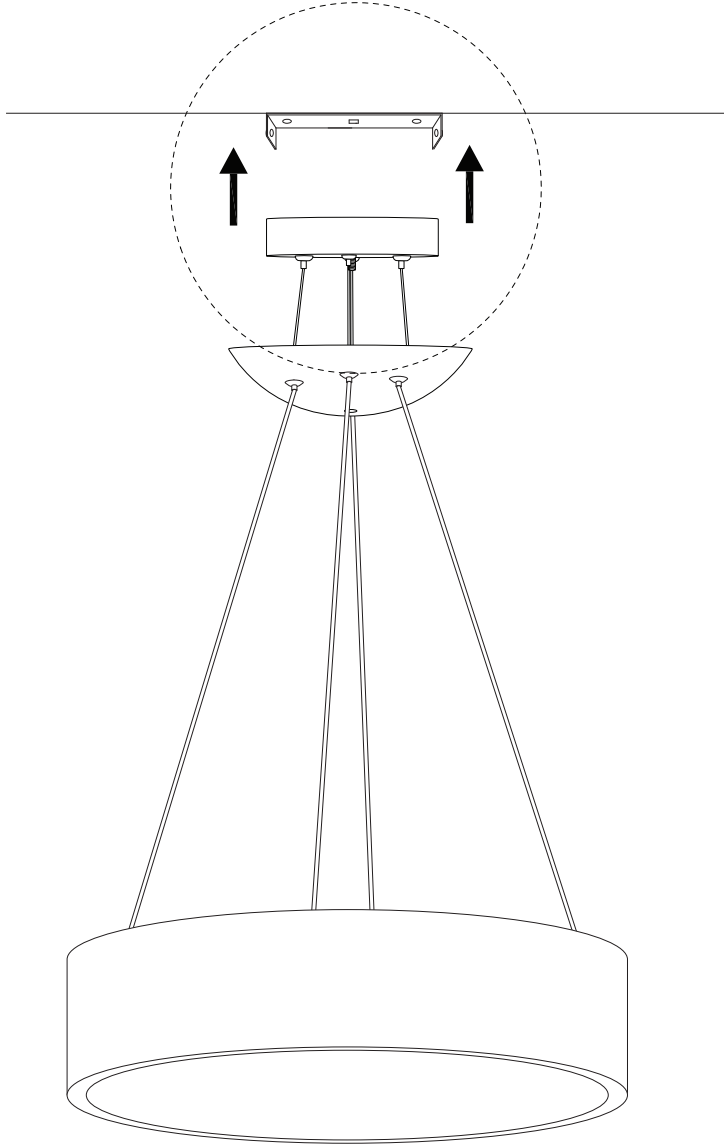


x 2

C



x 2



4

A1



x 1

