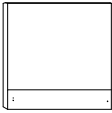
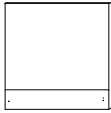
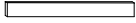
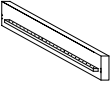




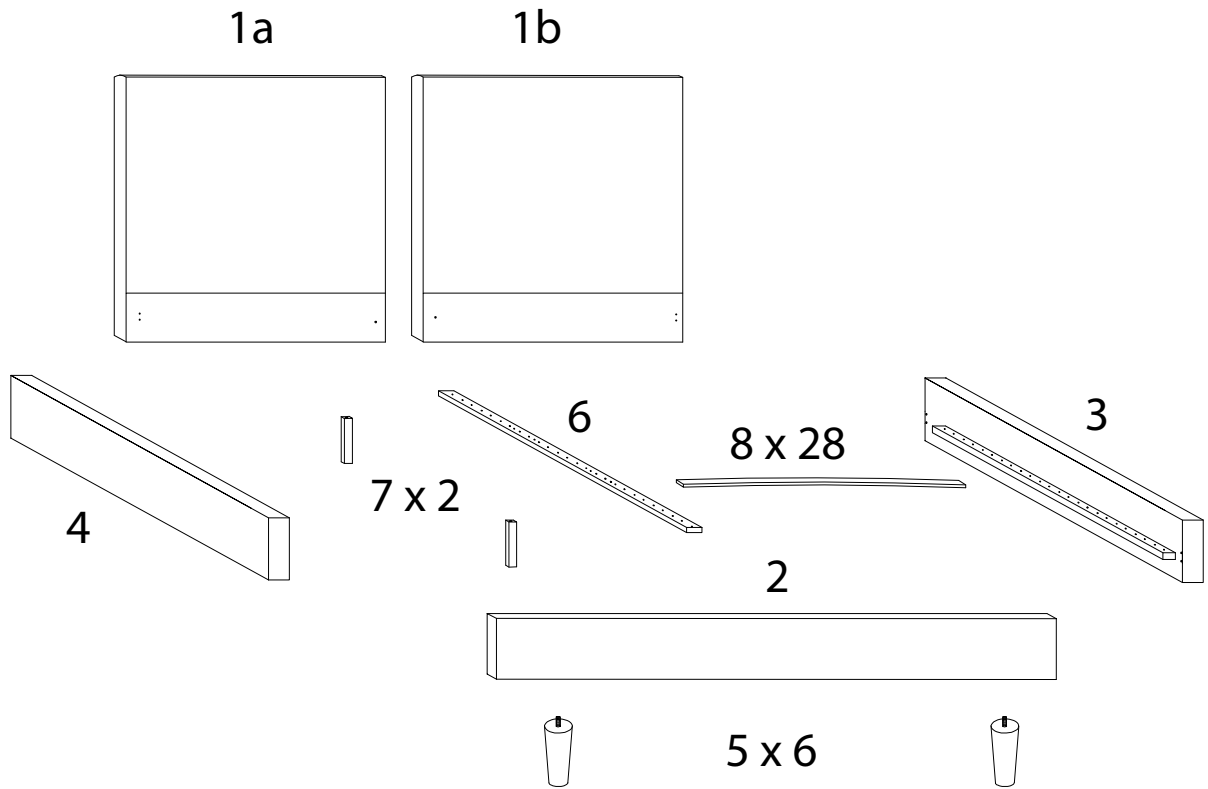

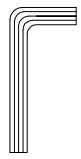
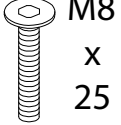
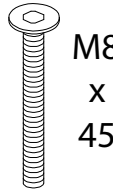

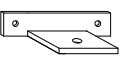
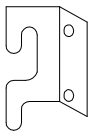
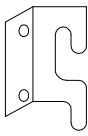



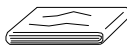
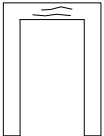


Diagram illustrating assembly steps and warnings:

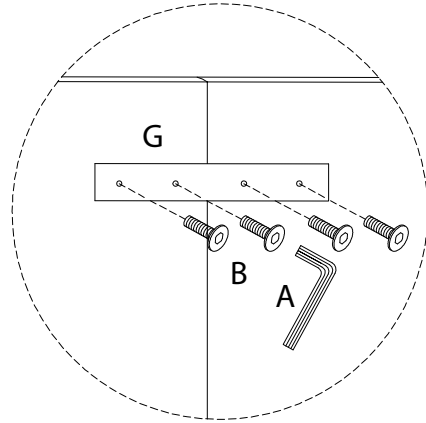
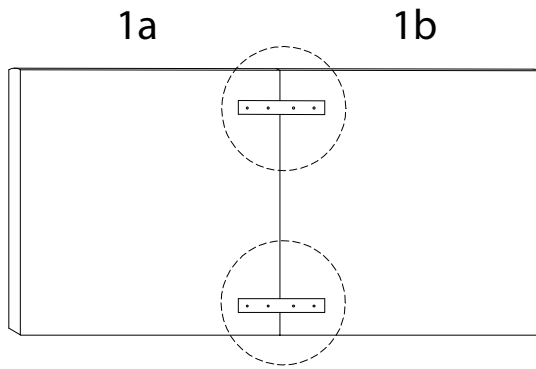
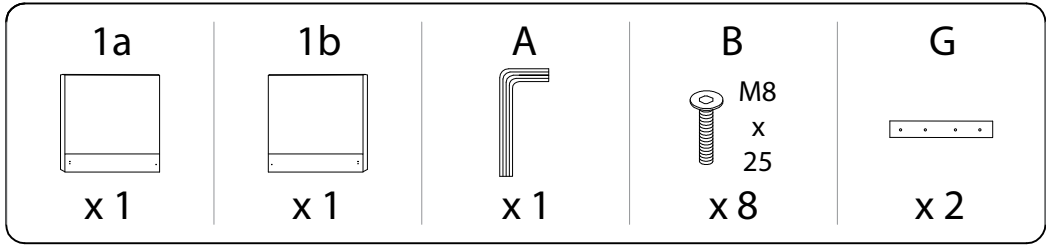
- Step 1:** Shows an L-shaped metal bracket being inserted into a hole in the bed frame. A power drill is shown with a diagonal line through it, indicating it should not be used. A warning triangle with an exclamation mark is positioned to the right.
- Step 2:** Shows a rectangular block being placed on a slatted surface. A power drill is shown with a diagonal line through it, indicating it should not be used. A warning triangle with an exclamation mark is positioned to the right.
- Time:** A clock icon indicates a duration of 30 minutes.
- Personnel:** An icon of a person indicates that 2 people are required for this step.

1a	1b	2	3	4	5	6	7
							
x 1	x 1	x 1	x 1	x 1	x 6	x 1	x 2

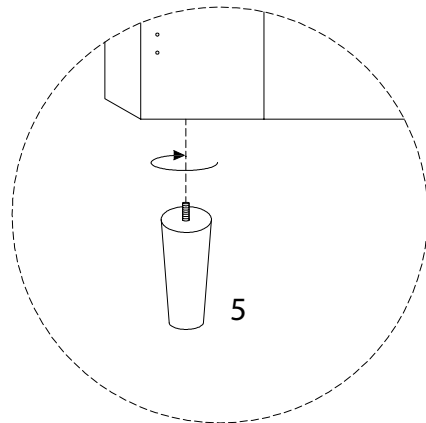
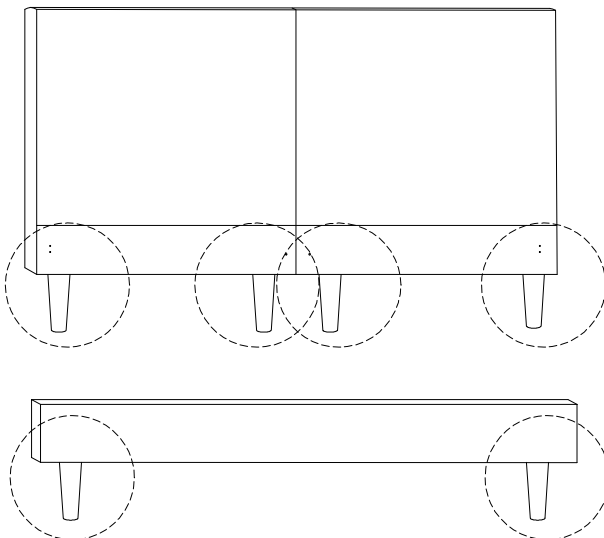
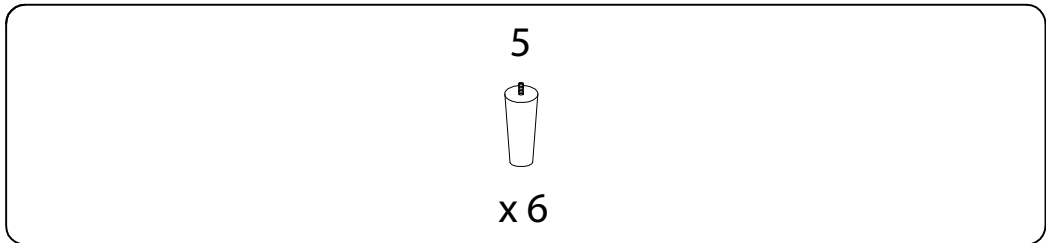


8	A	B	C	D	E	
						
x 28	x 1	x 28	x 2	x 2	x 2	
F1	F2	G	H	I	J	K
						
x 2	x 2	x 2	x 14	x 28	x 1	x 1

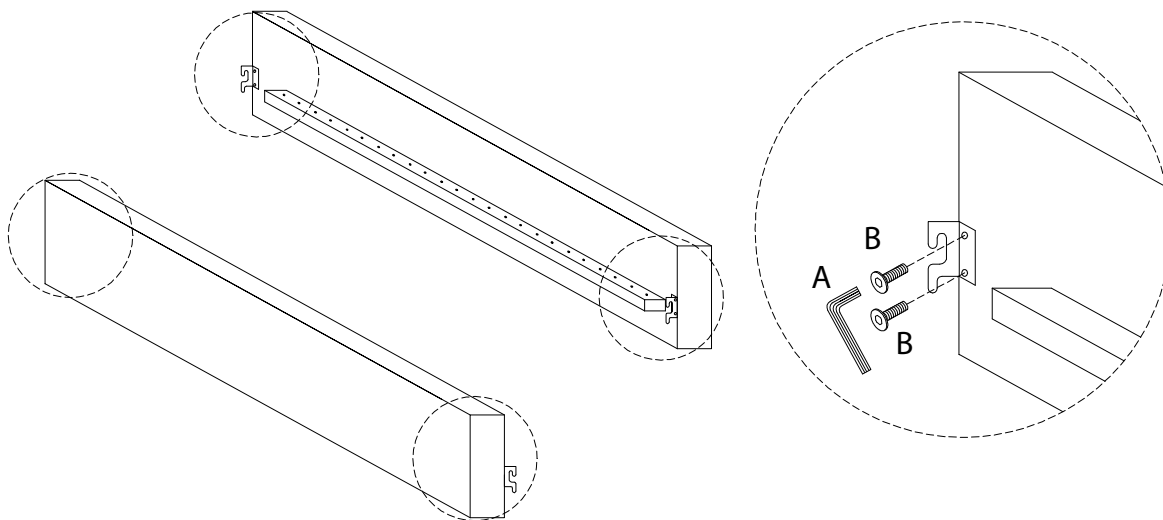
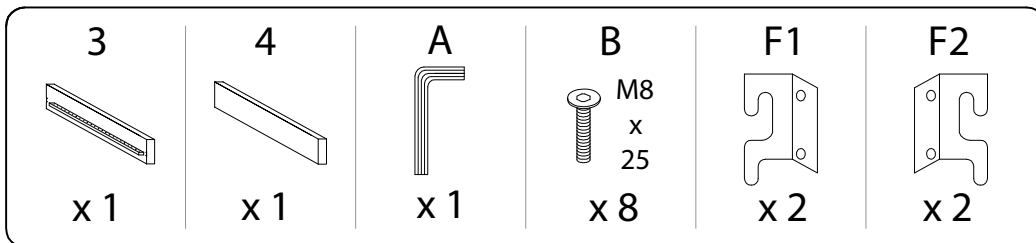
1



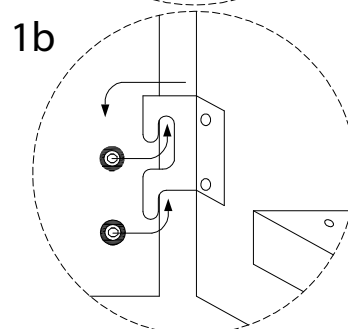
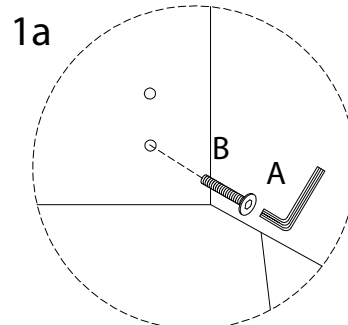
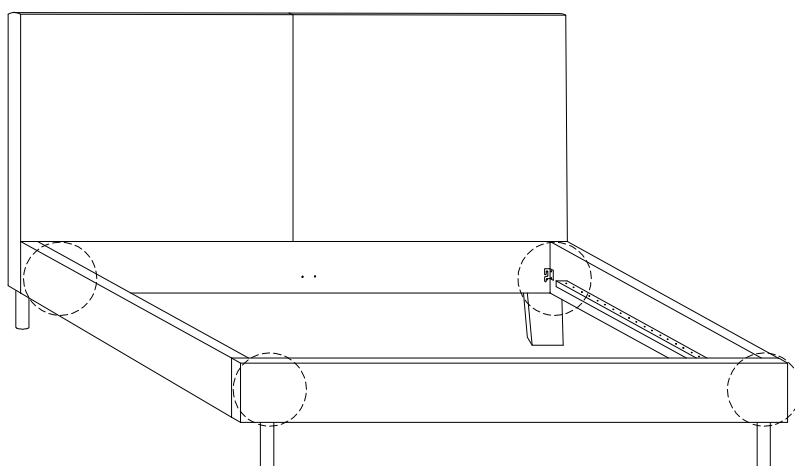
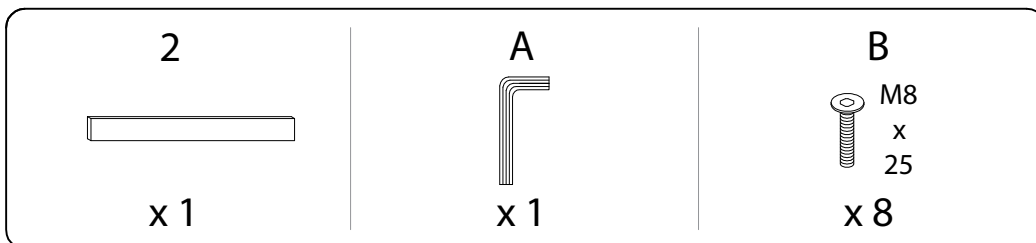
2



3

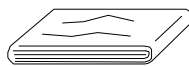


4

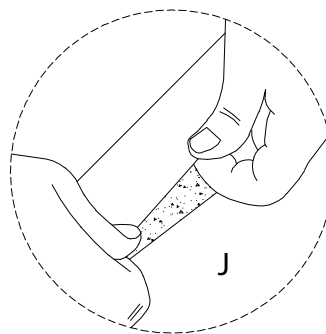
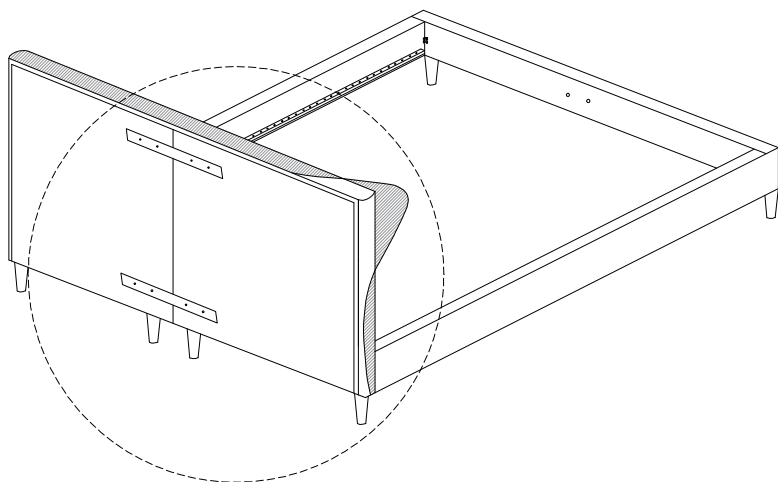


5

J

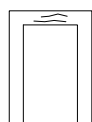


x 1

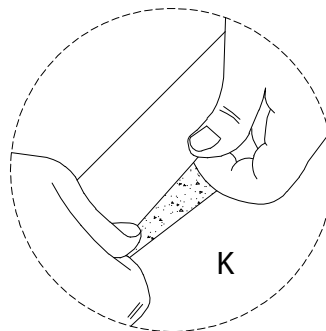
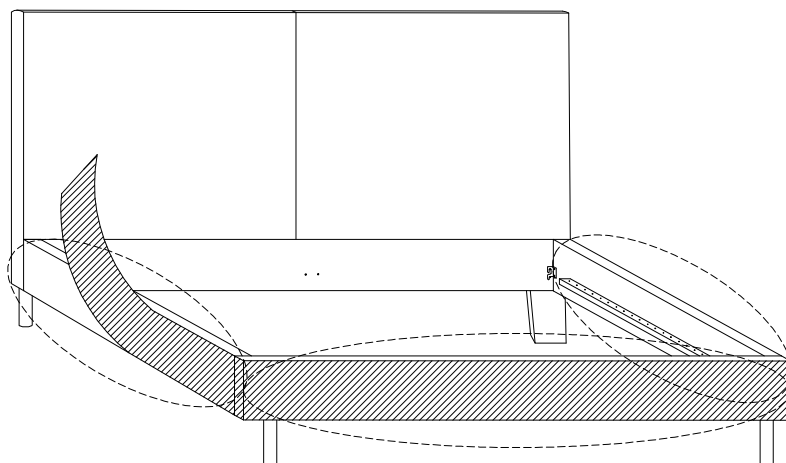


6


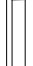

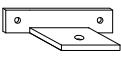
K

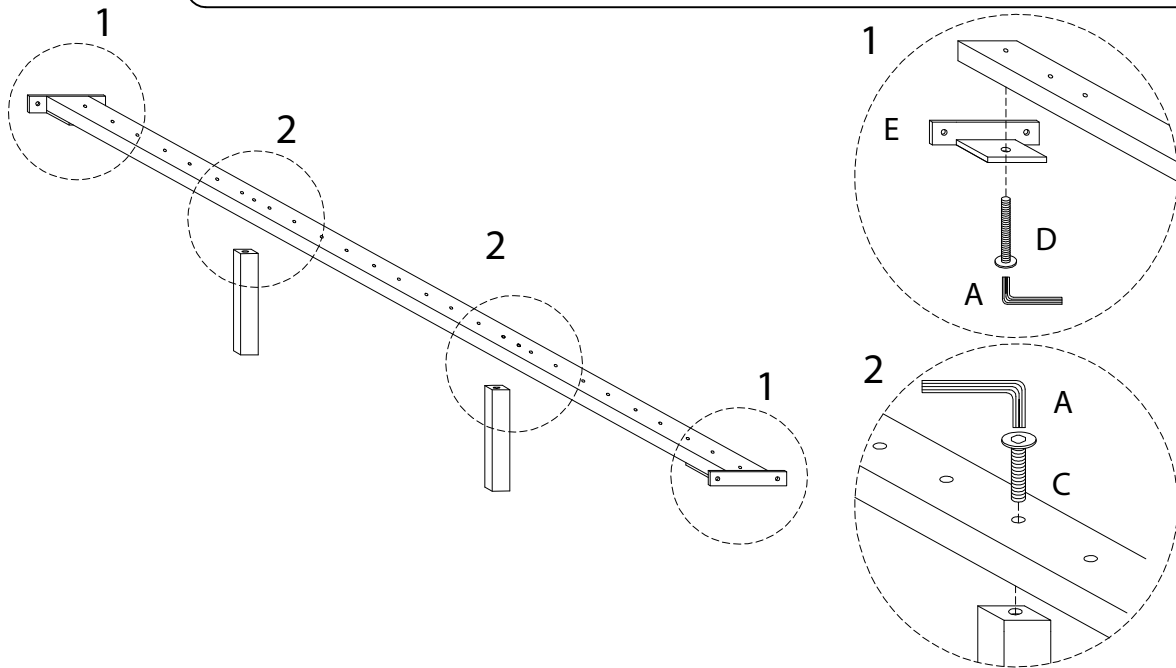


x 1




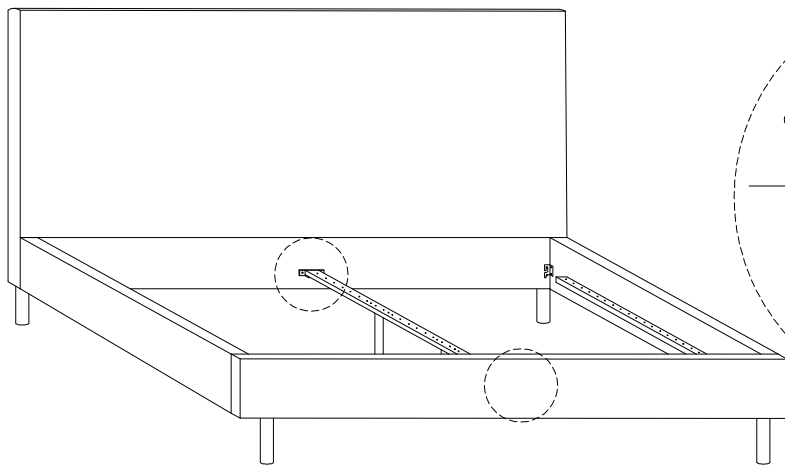
7

6  x 1	7  x 2	A  x 1	C M8 x 45 x 2	D M6 x 20 x 2	E  x 2
--	--	--	----------------------------------	----------------------------------	--

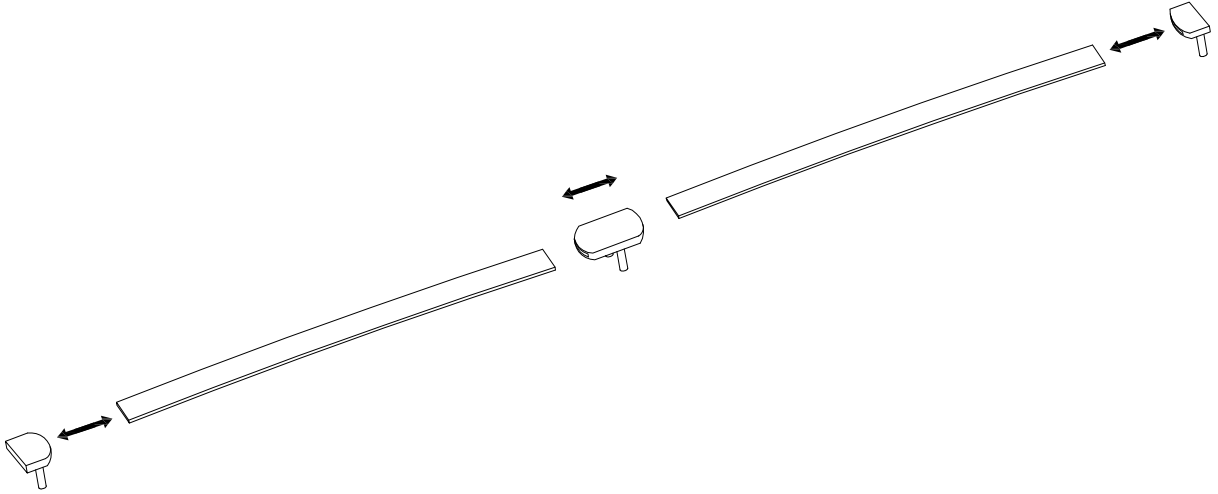
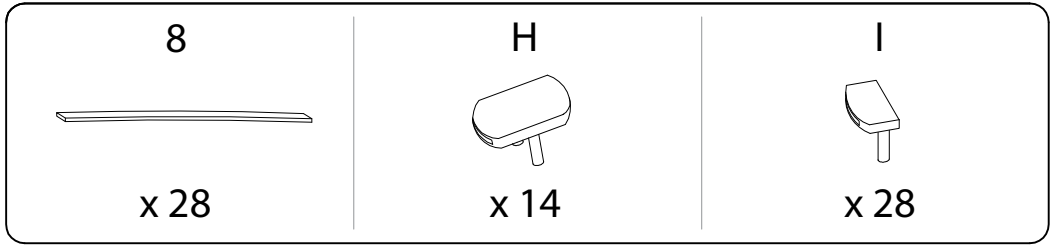


8

A  x 1	B M8 x 25 x 4
--	----------------------------------



9



10

