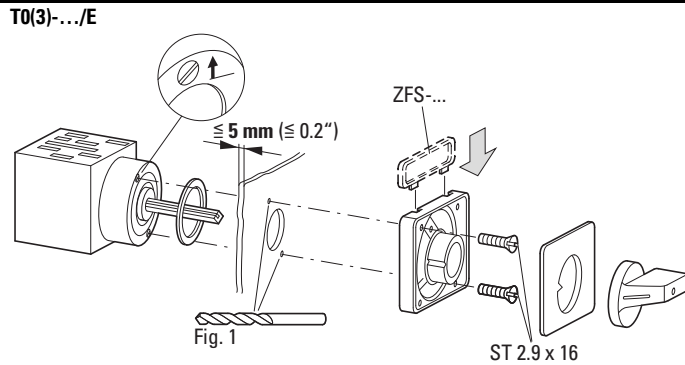
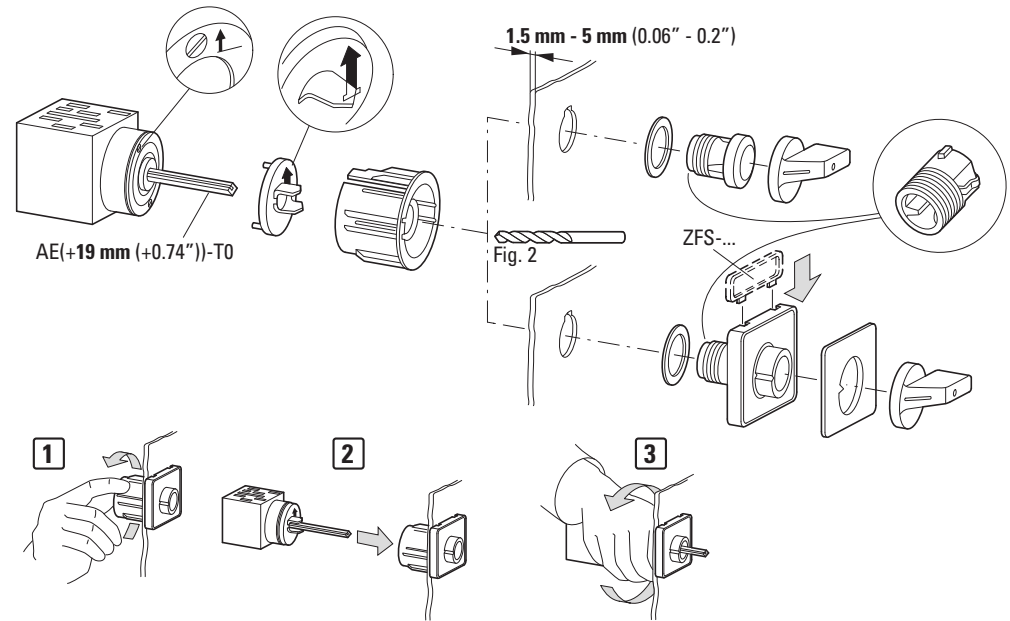


02/13 IL03801020Z
(AWA115-586, IL00802007E)

T0(3)-.../E
T0(3)-.../EZ
T0(3)-.../E/SVB
T0(3)-.../EA/SVB



T0(3)-.../EZ/OFS
T0(3)-.../EZ



UL/CSA:
Suitable for use as Motor Branch Circuit Disconnecter means.
Short Circuit Withstand
10 kA RMS SYM 600 V AC
Max Fuse T0... – 20 A Class J
T3... – 40 A Class J
Standard Short Circuit
5 kA RMS SYM 600 V AC
Max Fuse T0... – 50 A
T3... – 80 A
Max Cir. Bkr. T0... – 50 A
T3... – 125 A
Switch or enclosure must be padlockable if used as a Motor Branch Circuit Disconnecter means.

Fig. 1
[mm (in)]
→ ≠ 1 : 1

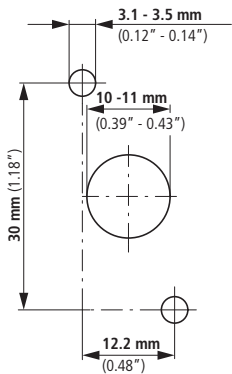
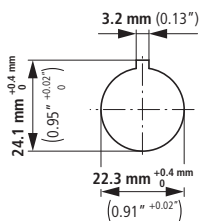
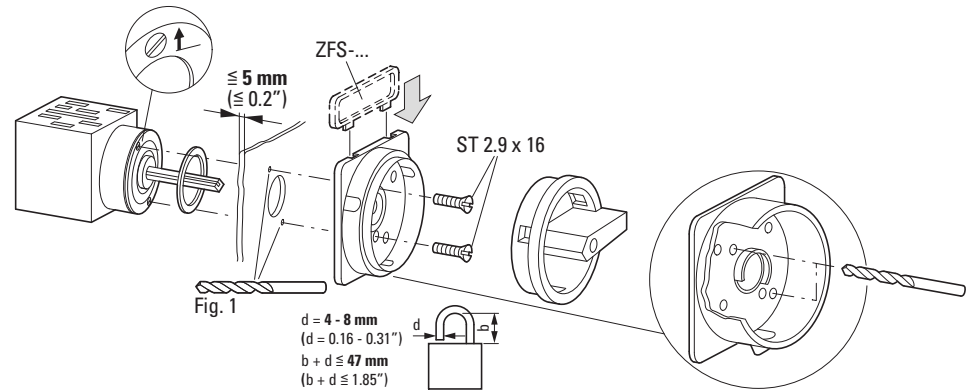


Fig. 2
[mm (in)]
→ ≠ 1 : 1



T0(3)-.../E/SVB



T0(3)-.../EA/SVB

