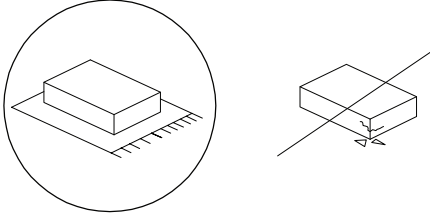

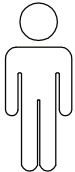
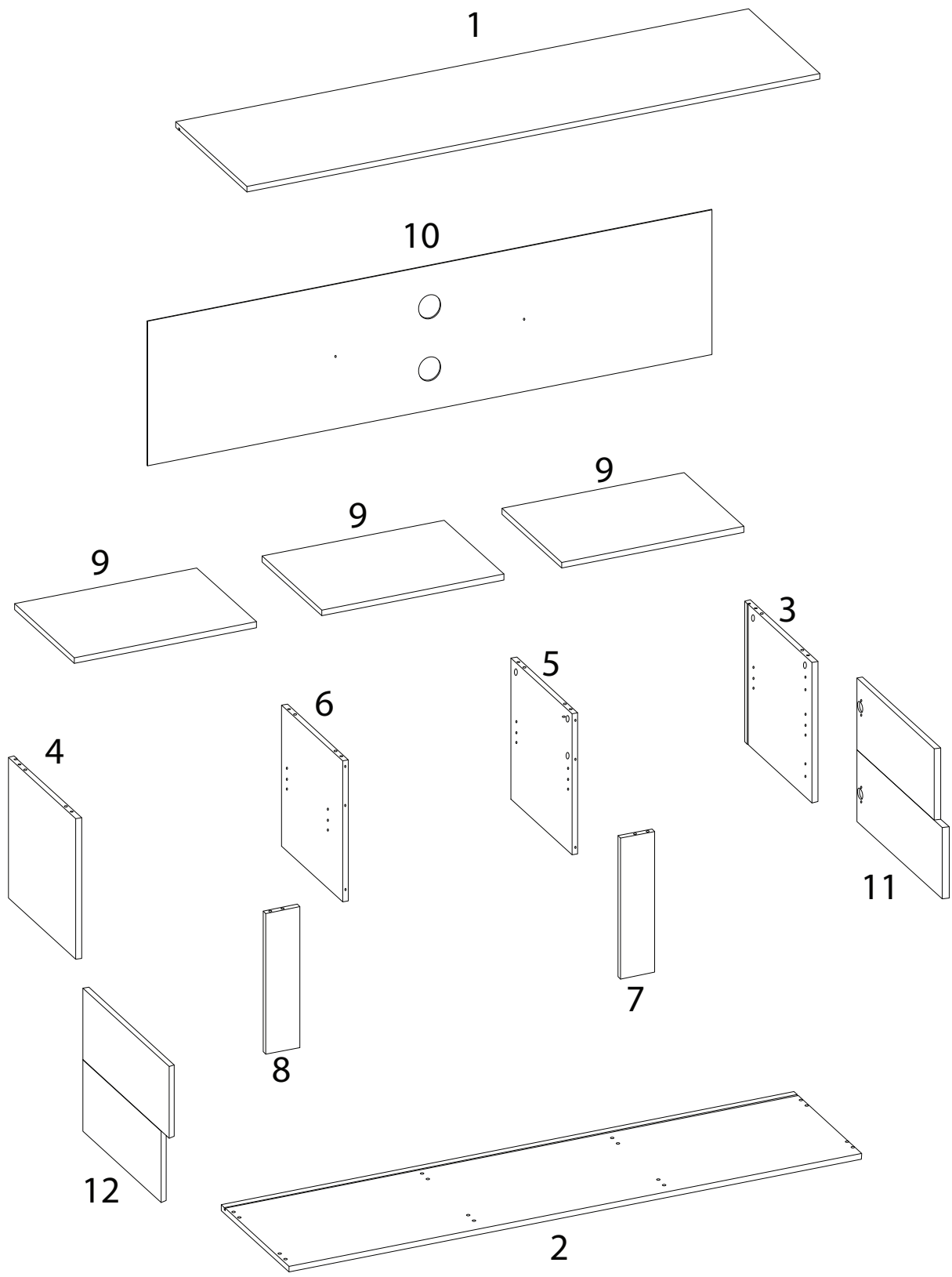
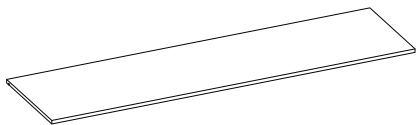

		<b>100'</b>
		
		<b>2</b>

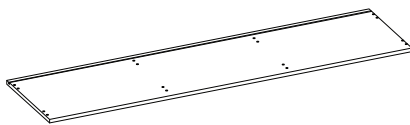


1



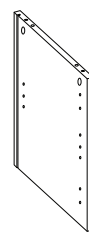
x 1

2



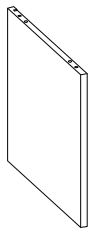
x 1

3



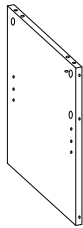
x 1

4



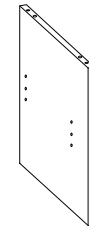
x 1

5



x 1

6



x 1

7



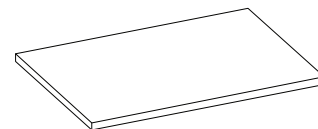
x 1

8



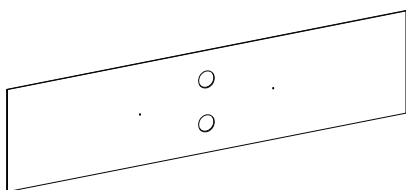
x 1

9



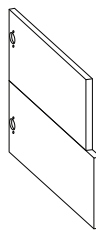
x 3

10



x 1

11



x 1

12



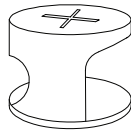
x 1

A



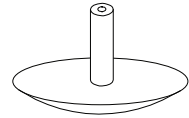
x 12

B



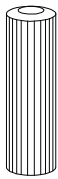
x 12

C



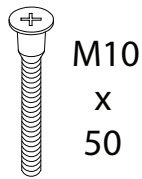
x 10

D



x 24

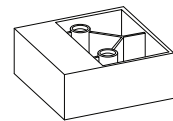
E



M10  
x  
50

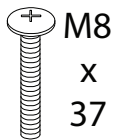
x 10

F



x 6

G



M8  
x  
37

x 12

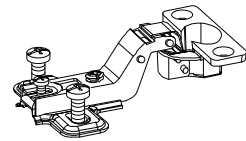
H



M4  
x  
13

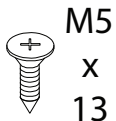
x 2

J



x 4

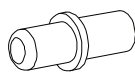
K



M5  
x  
13

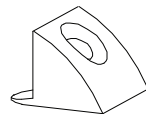
x 8

L



x 12

M



x 12

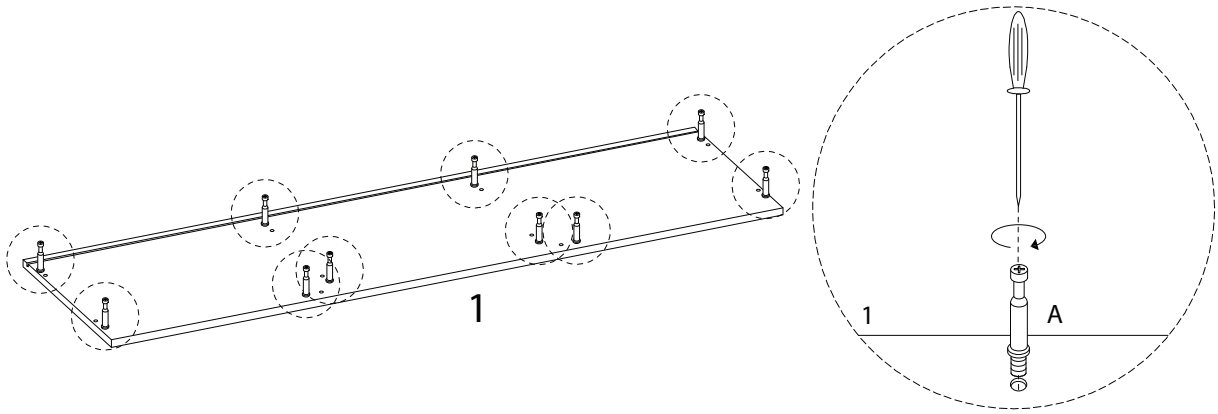
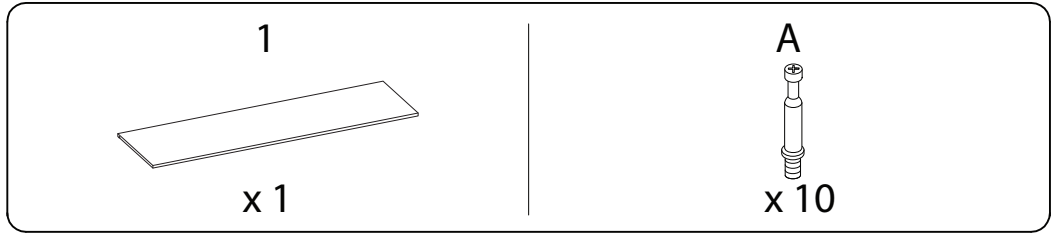
N



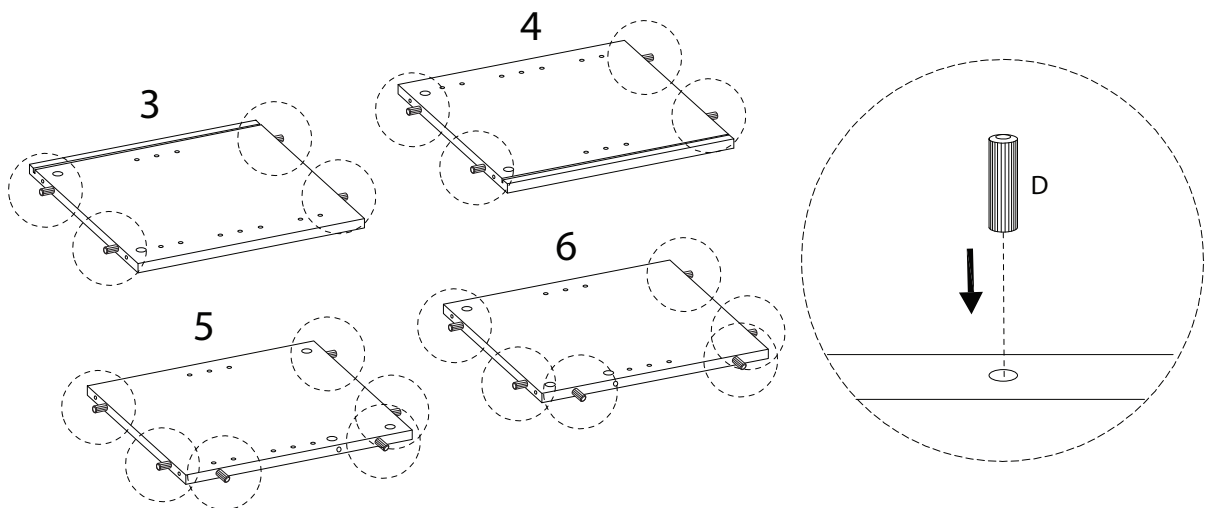
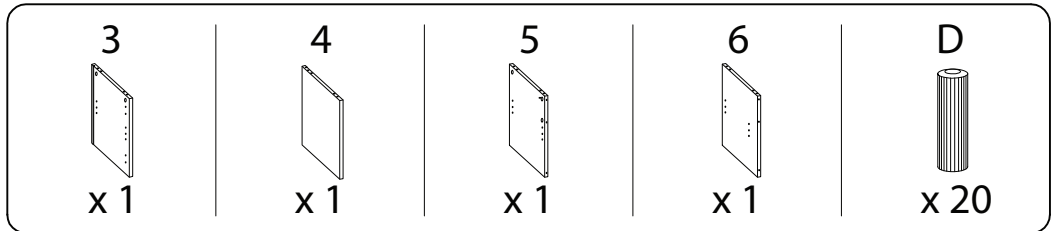
M6  
x  
19

x 12

1



2

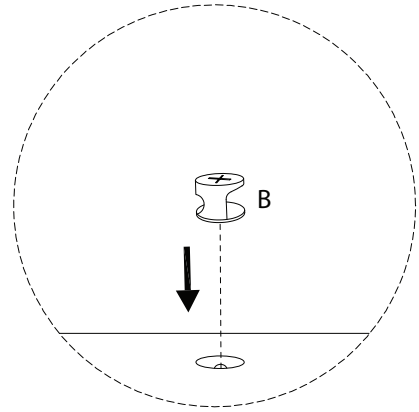
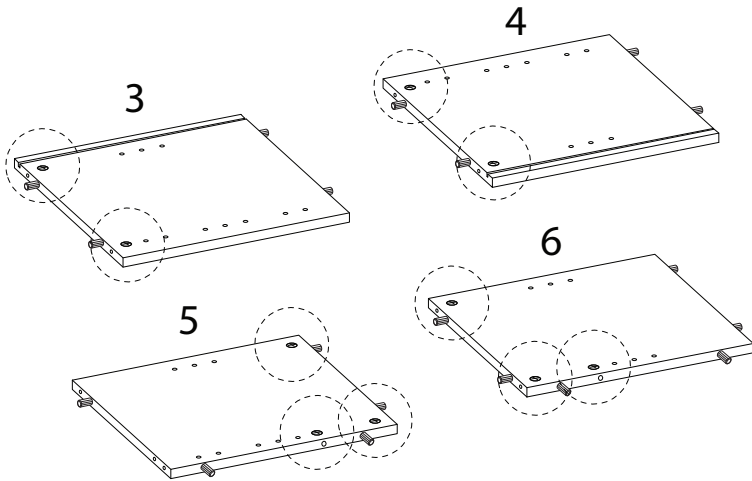


3

B



x 10



4

7



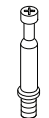
x 1

8

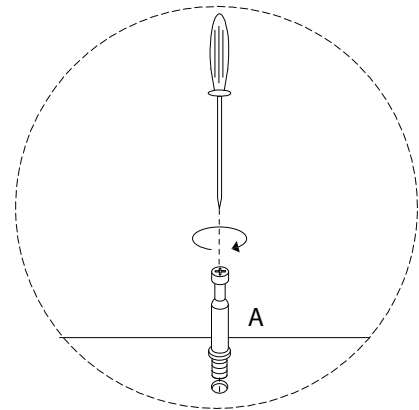
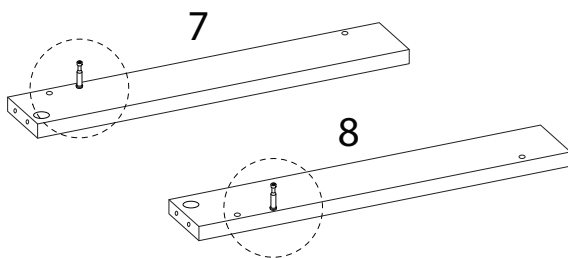


x 1

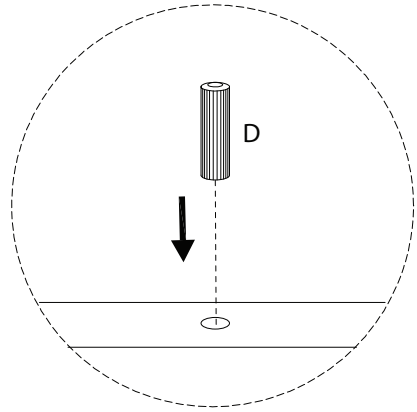
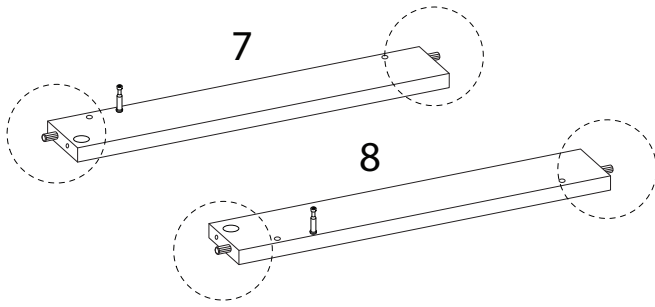
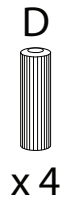
A



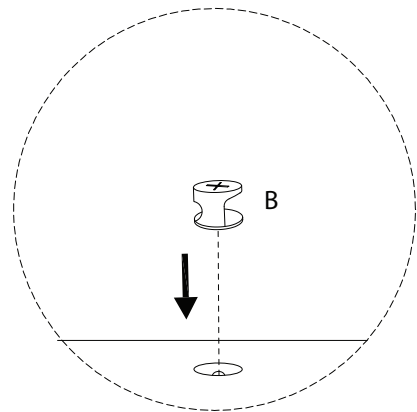
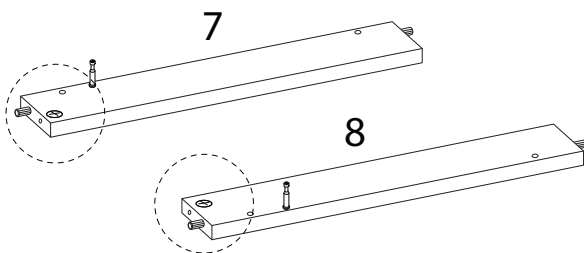
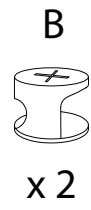
x 2



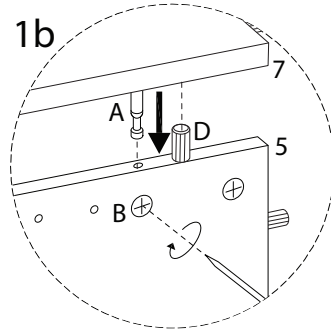
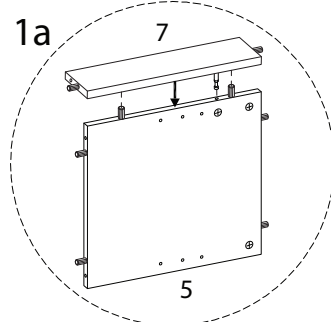
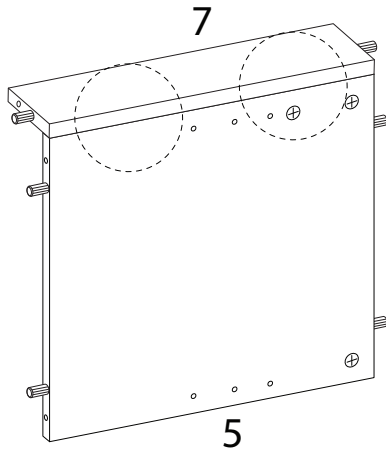
5



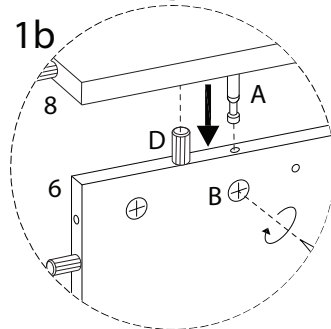
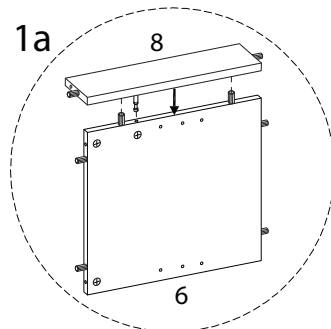
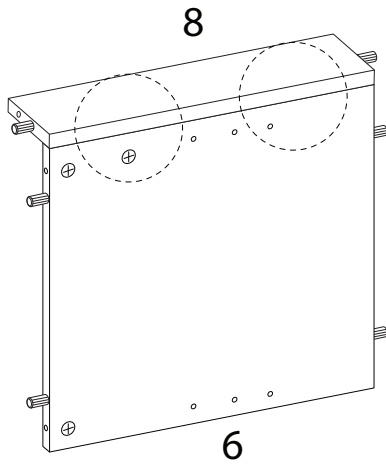
6



7



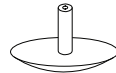
8



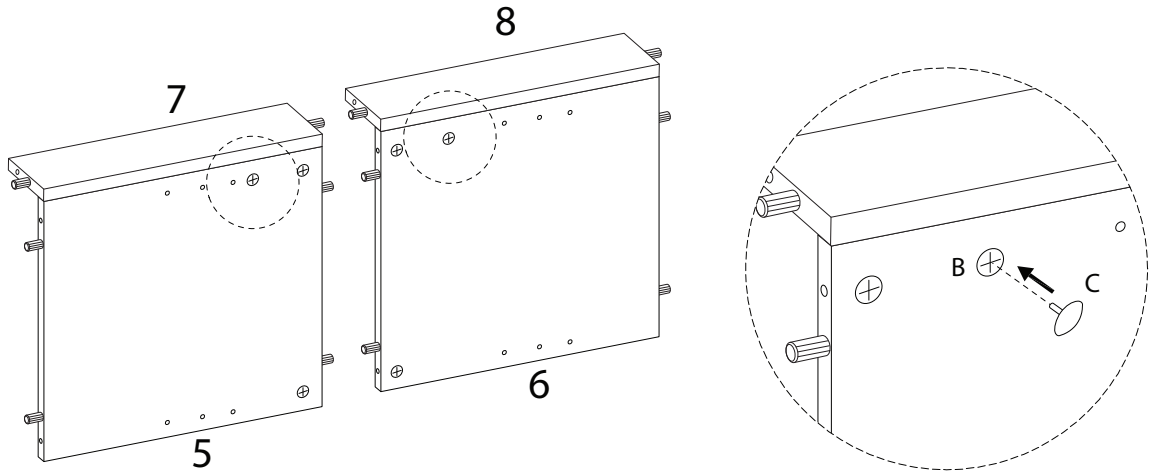


9

C

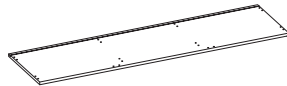


x2



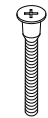
10

2



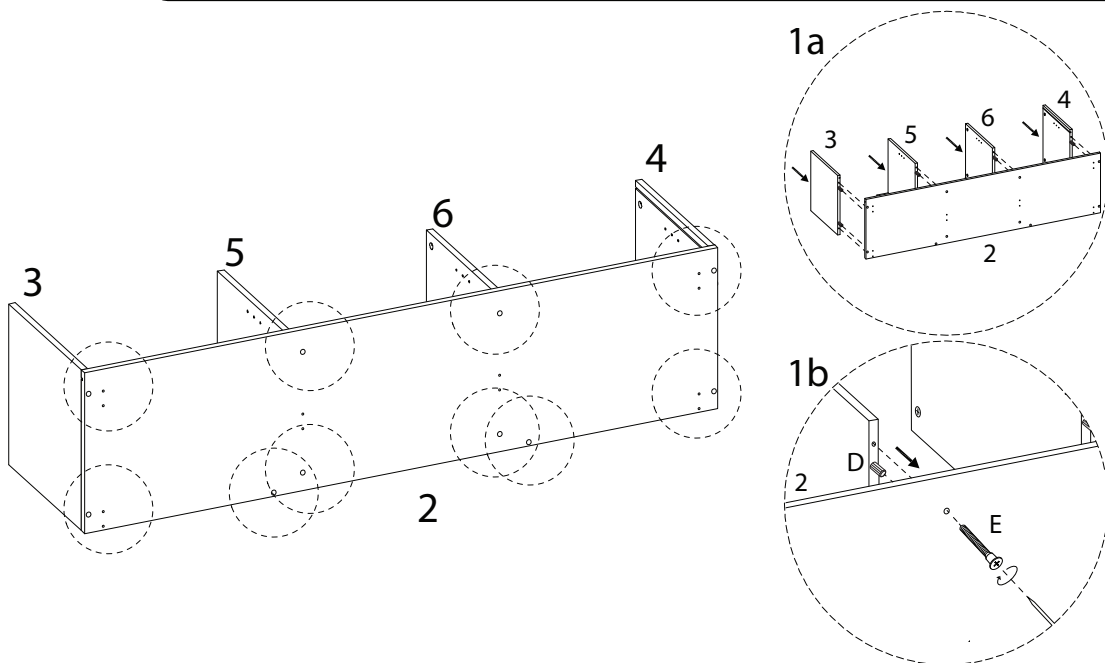
x1

E



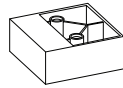
M10  
x  
50

x 10



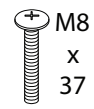
11

F

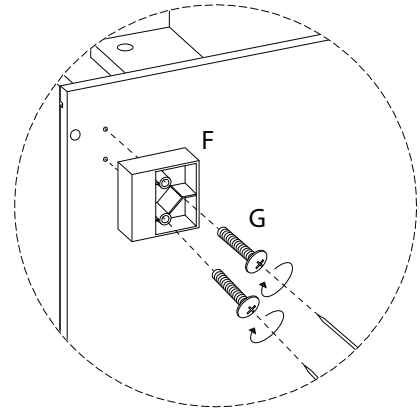
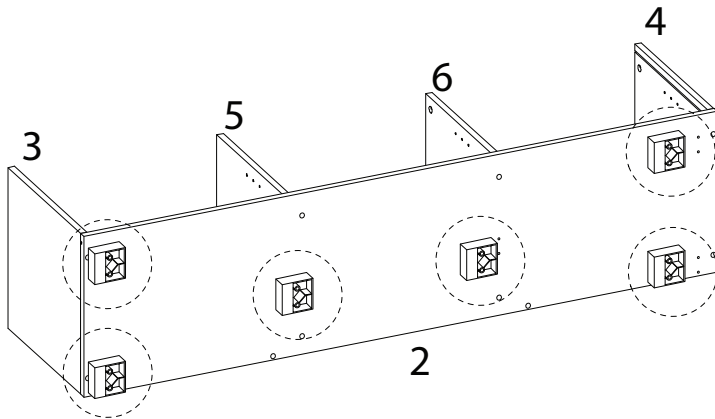


x 6

G

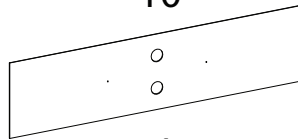


x 12

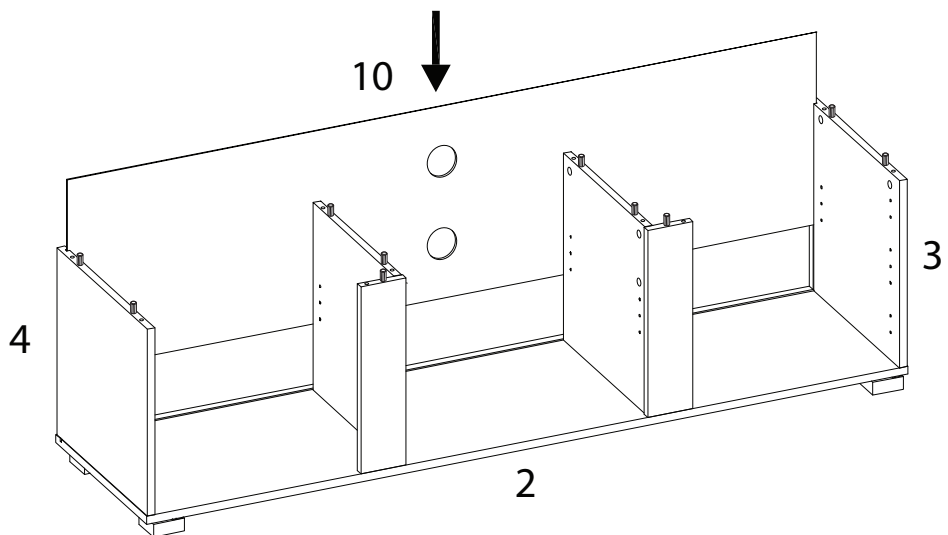


12

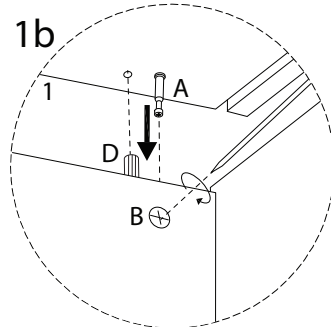
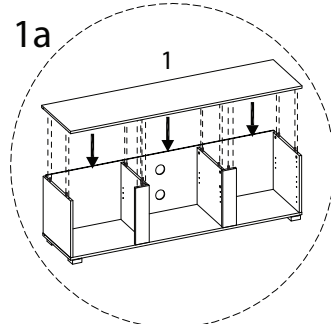
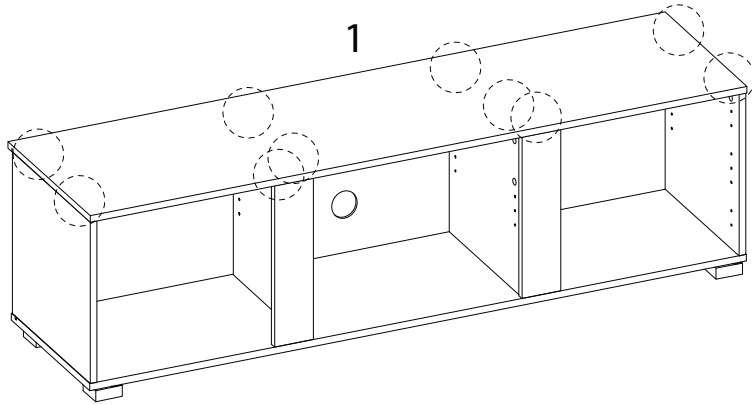
10



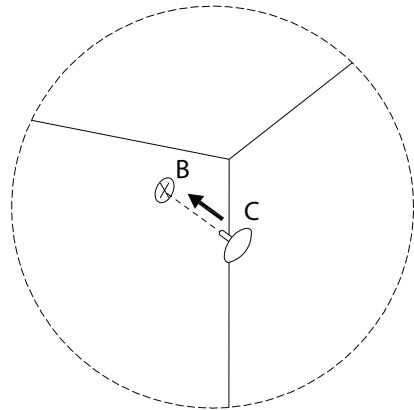
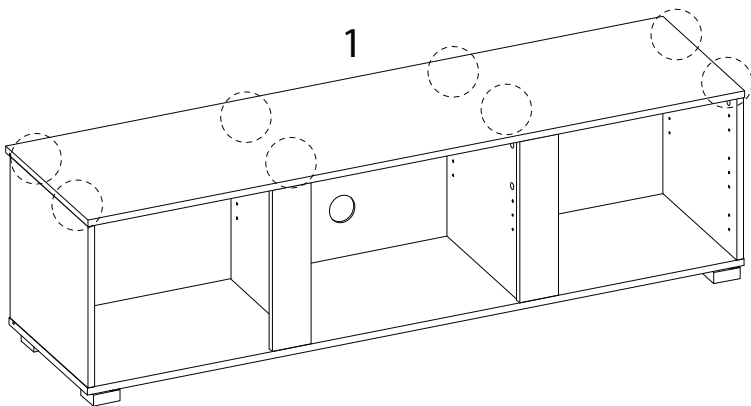
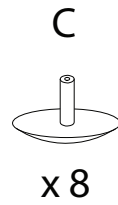
x 1



13



14



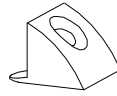
15

H



x 2

M

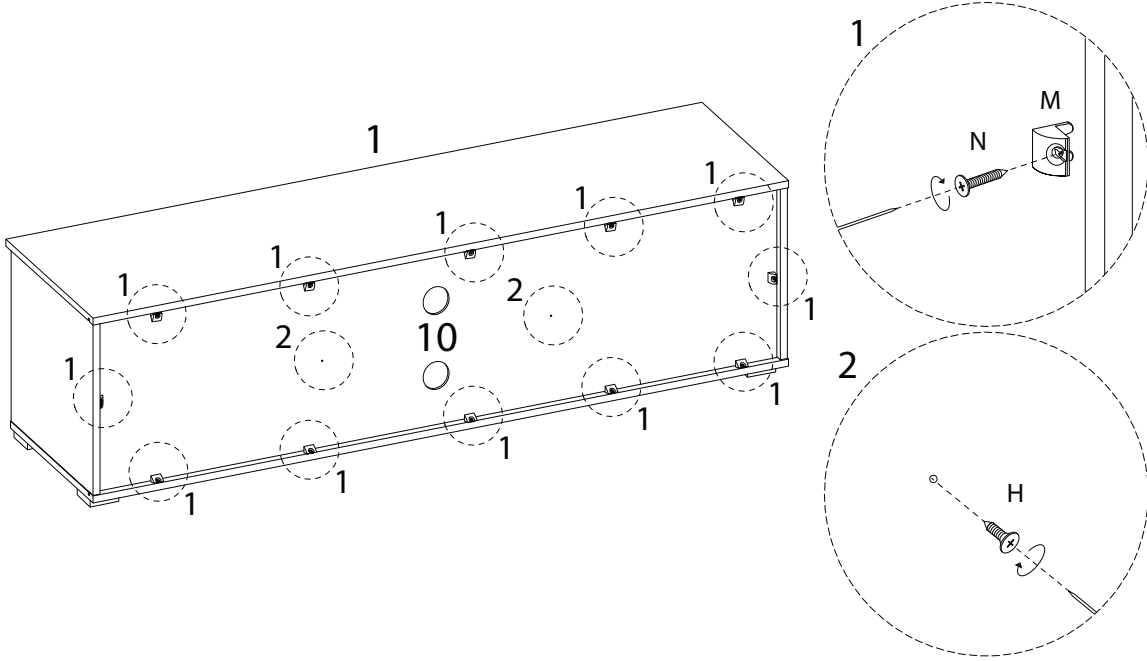


x 12

N

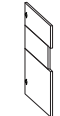


x 12



16

11



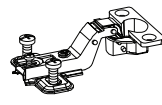
x 1

12



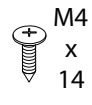
x 1

J

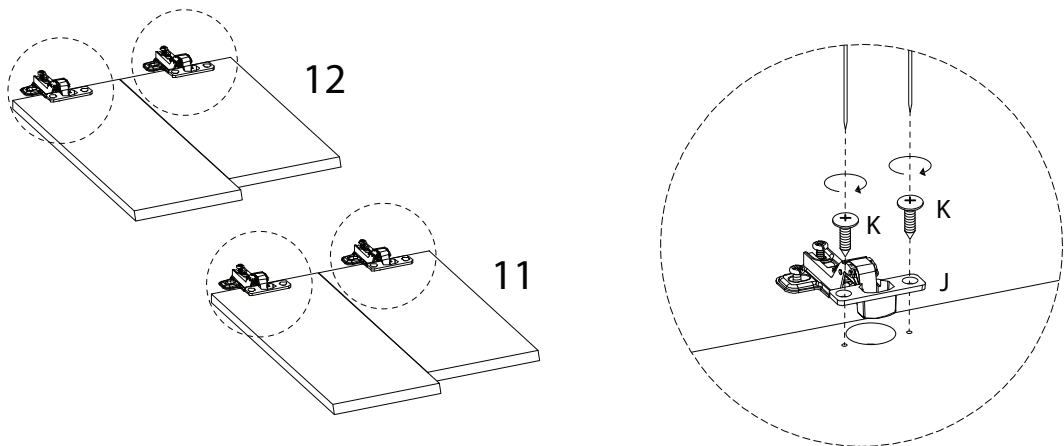


x 4

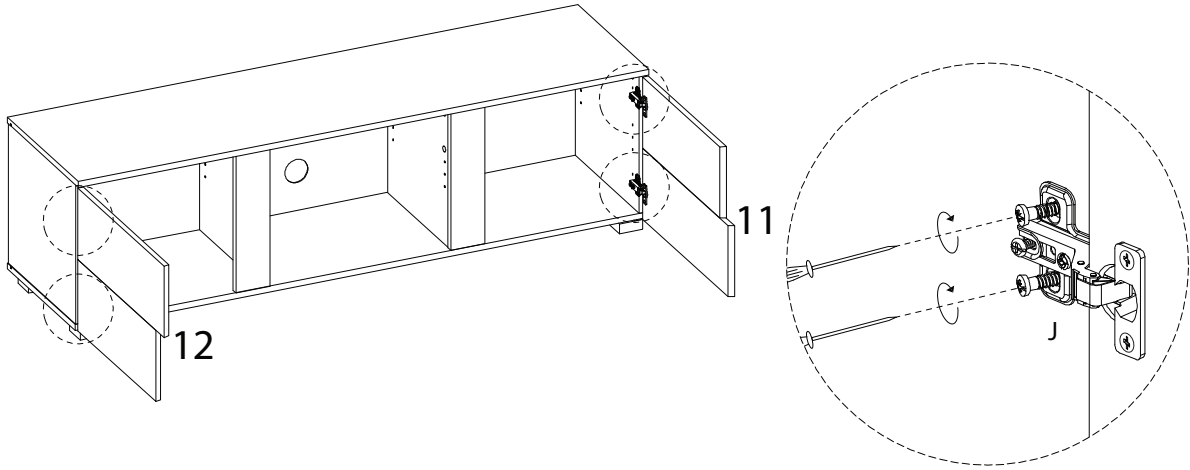
K



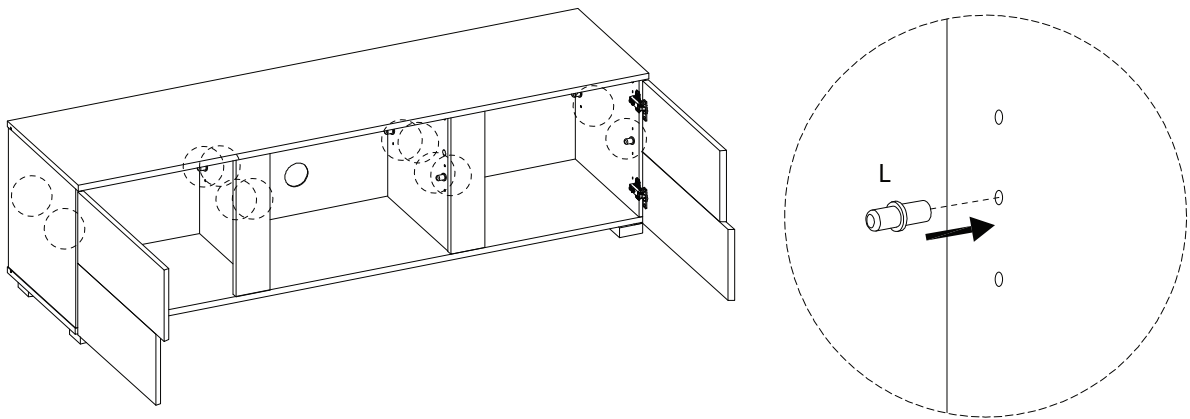
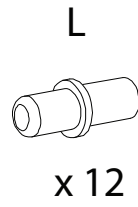
x 8



17

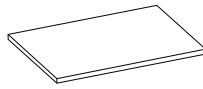


18

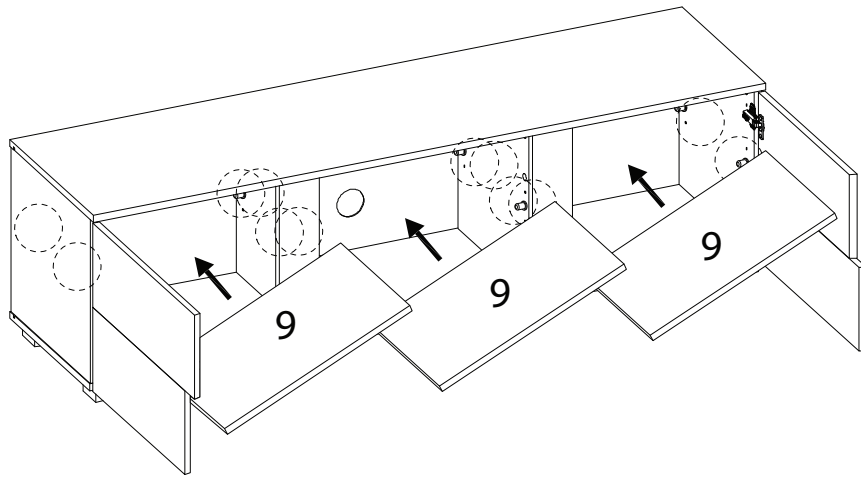


19

9



x 3



20

