

MR₁

Bluetooth® Speakers
MR1 mk2

User guide	EN
Brugervejledning	DA
Bedienungsanleitung	DE
Guía del usuario	ES
Guide de l'utilisateur	FR
Manuale dell'utente	IT
ユーザーガイド	JA
사용자 안내서	KO
Gebruikershandleiding	NL
Brukerveiledning	NO

ruarkaudio

Thank you for choosing our MR1 mk2 active Bluetooth speakers.

Ruark Audio began life as specialists in high-fidelity speaker systems and this passion for sound quality lies at the heart of all our products. The original MR1 won accolades from press and public alike for their rich sound and good looks, and the mark 2 edition ensures these gorgeous little speakers remain bang up to date. They look and sound better than ever, are even easier to use, and now feature optical input too.

Please take the time to read this user guide as it will help you to set them up and get the best performance from them. With due care, the MR1 should give you years of listening pleasure.

We love our MR1 and we hope you will too!

A handwritten signature in black ink that reads "Alan O'Rourke". The signature is written in a cursive, flowing style.

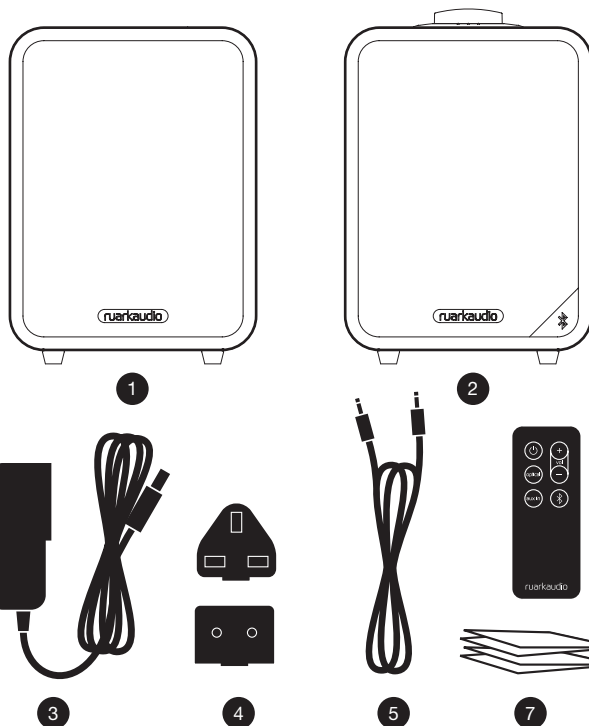
Alan O'Rourke
Founder and Managing Director

What's in the box

Ensure that all parts listed below are in the box. If any part is missing do not use the speakers and contact us directly if purchased in the UK, or your Ruark Audio dealer if purchased outside the UK.

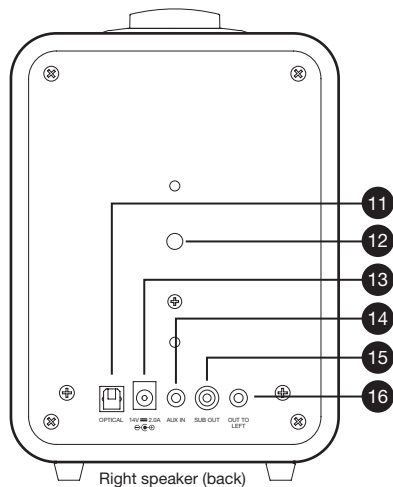
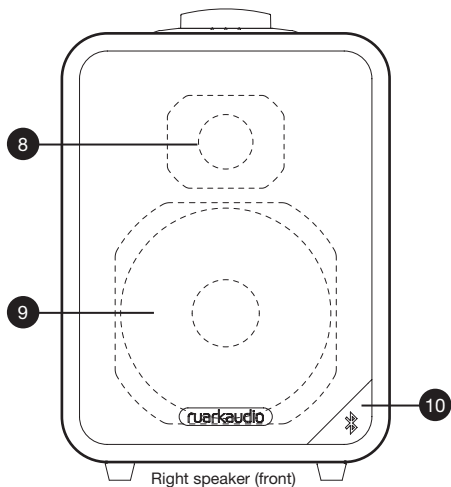
1. Left speaker
2. Right speaker
3. Mains adaptor
4. Plug(s) for mains adaptor*
5. Speaker cable
6. Remote control
7. User guide & other documents

Please retain all packaging.



* The number and type of plug adapters supplied will vary according to region.

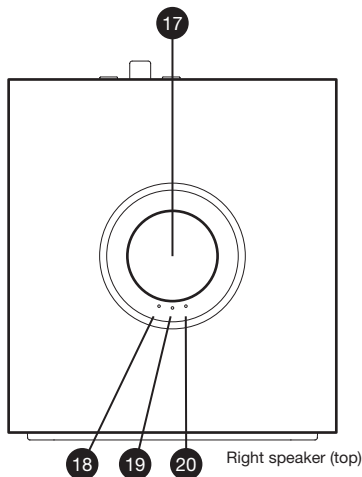
Overview



- 8. Silk dome tweeter
- 9. Neodymium woofer
- 10. Remote sensor
- 11. Optical input (Toslink)
- 12. Wall mounting (1/4-20 UNC thread)

- 13. DC power socket
- 14. Aux input (3.5mm stereo jack)
- 15. Sub-woofer output (phono)
- 16. Output to left speaker (3.5mm mono jack)

Controls

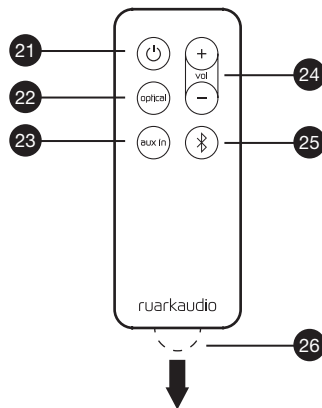


- 17. Control knob
- 18. Optical input indicator LED (green)
- 19. Bluetooth input indicator LED (blue)
- 20. Aux input indicator LED (amber)

Remote control

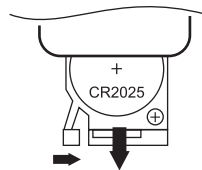
- 21. Standby
- 22. Optical
- 23. Aux in
- 24. Volume
- 25. Bluetooth
- 26. Battery tab

NOTE: before using your remote for the first time you must remove the plastic tab (26) to activate the battery.



Changing battery

1. Hold the lock to the side with your finger and slide the battery compartment out.
2. With the remote face down, replace the battery with a new CR2025, ensuring the flat side marked with + faces up.
3. Push the battery compartment back into place.



Setup

1 Position speakers

For best stereo reproduction, place left and right speakers no less than 60cm (24in) apart with the speaker with volume control on the right. Avoid having objects in front of the speakers and also ensure the underside of each speaker is unobstructed.

2 Connect speakers together

Connect the two speakers with the interconnect cable, inserting one end into the output on the right speaker and the other end into the input on the left speaker.

3 Connect to mains power

Fit the correct plug for your region to the mains adaptor, it will “click” into place.

Connect the mains adaptor to the DC power socket on the back of your MR1, then connect it to the wall socket and where applicable turn on.

4 Turn on your speakers

Press the control knob, or the standby button on the remote. When turning on for the first time your MR1 will come on in Bluetooth mode and automatically enter pairing mode (blue LED flashes).

5 Change source

Press the control knob to cycle between Bluetooth, Aux input and Optical.

6 Adjust volume

Turn the volume control knob clockwise to increase the volume, anticlockwise to decrease it or use the volume buttons on the remote. When you reach the maximum or minimum volume, the source indicator LED goes off temporarily.

7 Standby

Press and hold the control knob for 1-2s until the source LED turns off, or press the standby button on the remote.

Aux in

- 1 Connect your analogue audio device**
Insert a standard 3.5mm stereo jack cable (sold separately) into the AUX IN socket on the back of the right speaker and the other end into the device you wish to play from (CD Player, Laptop, TV etc.)
- 2 Select Aux input**
Repeatedly press the control knob until the amber Aux in LED lights up or press the Aux in button on the remote control.
- 3 Start audio playback on your device**

Optical

- 1 Connect your optical audio device**
Insert a standard Toslink optical cable (sold separately) into the OPTICAL socket on the back of the right speaker and the other end into the device you wish to play from (game console, TV etc.)
- 2 Select Optical input**
Repeatedly press the control knob until the green Optical input LED lights up or press the Optical button on the remote control.
- 3 Start audio playback on your device**

Bluetooth

To stream audio from a Bluetooth audio device you first need to pair it with your MR1 speakers.

Pair and connect your device

1 Select Bluetooth mode on your MR1

Repeatedly press the control knob until the blue Bluetooth LED lights up; it will start to flash indicating your MR1 are waiting to pair with a Bluetooth audio device.

2 Pair your Bluetooth audio device

Go to settings on your audio device, turn on Bluetooth and select “Ruark MR1” from the device list (it may take a few seconds for them to appear). When your MR1 have paired and connected, the blue LED will change to solid blue.

3 Start music play on your Bluetooth device

You may need to select “Ruark MR1” or Bluetooth as your playback device.

Auto connect

Your MR1 will automatically attempt to connect to the last connected Bluetooth device.

Operating range

Your MR1 will typically operate up to 10 metres from your Bluetooth audio device although obstructions such as walls will reduce this.

Disconnecting a device

Press the control knob or press the Bluetooth button on the remote control. This will disconnect the current device, the blue LED will flash and your MR1 will be ready to pair or connect again.

Pairing additional devices to your MR1

You can pair up to 8 devices although you will only be able to play audio from one device at a time.

Clearing the pairing list

Press and hold the control knob for 5s until all 3 LEDs light up. You may also need to unpair or delete the “Ruark MR1” entry in your device’s Bluetooth pairing list.

Volume control

The volume controls on your Bluetooth audio device and your MR1 will remain independent of each other, we recommend turning the volume to near maximum on your audio device and controlling the output volume on the MR1.

Other features

Input level adjustment for Aux and Optical

If the volume when listening to Aux or Optical input is noticeably lower than when listening to other sources then you may need to increase the input level.

If the volume is higher and distorts you should decrease the input level.

To adjust the input level, select the source you wish to adjust, then press and hold the corresponding source button on the remote control until all 3 LEDs flash.

Use the volume buttons on the remote or the volume knob to change the level (1 LED = low, 3 LEDs = high) then press the knob to confirm your selection and all 3 LEDs will flash.

Snooze mode

To save power, your MR1 will automatically go into snooze mode after 20 minutes of inactivity and automatically turn back on when you resume audio playback. This applies to all modes including Bluetooth, which remains active during this time. When in snooze mode, the source LED will gently pulse.

Disabling snooze mode

To disable snooze mode, switch on your MR1, and then press and hold the standby button on the remote for 5 seconds until all the LEDs flash twice. To re-enable it, press the standby button for 5 seconds until all the LEDs flash once.

Wall mounting

Your MR1 speakers can be wall mounted using the integrated 1/4-20 UNC threaded insert on the back. For more information contact your dealer or visit www.ruarkaudio.com

BackPack battery pack compatible

Your MR1 are fully compatible with the Ruark Audio BackPack battery pack so you can use them where mains power is not available.

If your BackPack battery pack can be switched off, we recommend that you do so when not using your MR1 as even in standby they will slowly drain the batteries.

For useful hints and tips on using your MR1, please visit www.ruarkaudio.com

Safety and regulatory information

- Read this user guide and follow all instructions, it will help you set up and operate your product properly.
- Heed all warnings and keep this user guide for future reference.
- Do not attempt to use a damaged device as this could result in a dangerous electric shock.
- Do not open the unit or remove any panels to expose the electronics. No user serviceable parts inside.
- Refer all servicing to qualified service personnel. Servicing is required when the device has been damaged in any way, such as power-supply cord or plug is damaged, liquid has been spilled or objects have fallen into the device, the device has been exposed to rain or moisture, does not operate normally, or has been dropped.
- This device is intended to be operated ONLY from the AC Voltages listed on the back panel or included power supply. Operation from other voltages other than those indicated may cause irreversible damage to the device and void the product warranty.
- Use only the power supply provided with the device or an approved alternative.
- Ensure that the power adapter, mains plug or mains connector into the unit is readily accessible in case disconnection from the mains is required.
- The mains adapter, mains plug or mains connector must be removed from the socket to completely disconnect the system from mains power.
- Do not place any naked flame sources, such as lighted candles, on or near the device. Do not install near any heat sources such as radiators, stoves, or other devices (including amplifiers) that produce heat.
- Avoid exposure to extreme heat or cold.
- Only use attachments/accessories specified for this device. Make no modifications to the system or accessories. Unauthorised alterations may compromise safety, regulatory compliance, and system performance.
- To reduce the risk of fire or electrical shock, do not expose the device to rain or moisture. Do not expose this device to dripping or splashing, and do not place objects filled with liquids, such as vases, on or near the device. As with any electronic products, use care not to spill liquids into any part of the system. Liquids can cause a failure and/or a fire hazard.
- Unplug this device during lightning storms or when unused for long periods of time to prevent damage to this device.
- To prevent risk of fire or electric shock, avoid overloading wall outlets, extension cords, or integral convenience receptacles.
- Long-term exposure to loud music may cause hearing damage. It is best to avoid extreme volume when using headphones, especially for extended periods.
- Do not install this device in a confined space. Always leave a space of at least 10cm around the device for ventilation and ensure that curtains or other objects never cover ventilation openings on the device.
- Remote control batteries must not be exposed to excessive heat, such as from sunshine or fire, and used batteries must be disposed of responsibly.



LITHIUM COIN CELL SAFETY NOTICE. The remote control contains a lithium coin cell battery which if ingested, may cause chemical burns. Keep new and used batteries out of reach of small children. If you think batteries may have been ingested, seek immediate medical attention. Do not handle leaking or damaged batteries. Danger of explosion if battery is incorrectly replaced. Replace only with the same or equivalent type.



This device is labelled in accordance with European Directive 2012/19/EU concerning waste electrical and electronic equipment. This symbol indicates that the product or associated batteries should not be disposed of as general household waste. As with any electrical equipment, please dispose of it according to local regulations.



CE COMPLIANCE INFORMATION

This product conforms to all EU Directive requirements as applicable by law. You may obtain a free copy of the Declaration of Conformity by contacting your dealer, distributor, or Ruark Audio.

Hereby, Ruark Audio, declares that this device complies with the essential requirements and other relevant provisions of the European Radio Equipment Directive 2014/53/EU.

You can download the full CE Declaration of Conformity at www.ruarkaudio.com/doc/MR1mk2doc.pdf



UK CONFORMITY ASSESSMENT INFORMATION

This product conforms to all UK Conformity Assessment regulations as applicable by law. You can download the full UKCA Declaration of Conformity at www.ruarkaudio.com/doc/MR1mk2UKCA.pdf

Specifications

MR1 mk2 speakers

- Ruark 75mm neodymium woofers
- Ruark 20mm silk dome tweeters
- 20W Linear amplifier
- Audio grade crossover components
- Bluetooth: A2DP, aptX
- Power consumption:
10-12W typical, 28W max,
0.5W standby
- 3.5mm jack aux analogue input
- Toslink optical digital input
- Phono sub-woofer output
- BackPack battery compatible
- Dimensions: 175 x 130 x 140mm
- Weight: 1.3kg (R) 1.1kg (L)

Power supply

- Input power 100 to 240VAC
50-60Hz 1.0A max
- Output power 14VDC 2.0A

Specification and design subject to modification without notice



Qualcomm
aptX™



Guarantee

Register your product to get an extended **three-year guarantee**.

As standard, this product is guaranteed to be free from defects for a period of two years from date of purchase, but this is extended to three years if you register your product at www.ruarkaudio.com.

This guarantee remains valid providing this product has been treated with due care and attention. Product failure through accidental damage, excessive wear and tear, negligence or unauthorised modification will void this guarantee.

If this product was purchased in the UK and it develops a fault, please contact the retailer from which it was purchased, or contact us directly via our website www.ruarkaudio.com/support.

For products purchased outside the UK the distributor in the country of purchase guarantees the product. For details, please contact the local Ruark distributor or outlet.

If returning this product, please ensure it is packed in its original packaging and a proof of purchase is included.

This guarantee in no way varies or removes the purchaser's statutory rights.

Errors and omissions excepted.

General care

- Clean with a soft, lint-free duster or slightly dampened cloth. Do not use wax sprays or other substances as these may damage the surface finish or impair performance.
- Do not expose your unit to direct sunlight, high humidity, dust, excessive vibration or extreme temperatures, all of which can affect the finish, performance and reliability of the unit.
- Recommended operating temperature range is 5°C to 40°C.
- Natural wood finish cabinets will vary and lighten or darken with age, particularly when exposed to sunlight.

Copyright and trademarks

© Ruark Audio. All rights reserved. Ruark Audio, the Ruark Audio logo, and other Ruark Audio marks are owned by Ruark Audio and may be registered. All other trademarks are the property of their respective owners. Ruark Audio assumes no responsibility for any errors that may appear in this manual and the information contained in it may change without notice.

Bluetooth® and associated logos are registered trademarks owned by Bluetooth SIG, Inc.

Qualcomm aptX is a product of Qualcomm Technologies International Ltd.

All other trademarks are the property of their respective owners.

MR₁

Bluetooth®-højtalere
MR1 mk2

User guide EN

Brugervejledning DA

Bedienungsanleitung DE

Guía del usuario ES

Guide de l'utilisateur FR

Manuale dell'utente IT

ユーザーガイド JA

사용자 안내서 KO

Gebruikershandleiding NL

Brukerveiledning NO

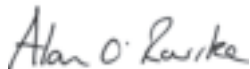
ruarkaudio

Tak fordi du har valgt vores MR1 mk2 aktive Bluetooth-højttalere.

Ruark Audio begyndte sit liv som specialister indenfor hi-fi-højttalersystemer og denne passion for lyd er kernen i alle vores produkter. De originale MR1 højttalere blev hyldet af både pressen og offentligheden for deres fyldige lyd og gode udseende og mark 2 udgaven sikrer, at disse lækre små højttalere forbliver helt up to date. De er flottere, og lyder bedre, end nogensinde før, er endnu nemmere at bruge og har nu også optisk indgang.

Tag dig venligst tid til at læse denne brugervejledning, da den vil hjælpe dig med at opstille dem og få den bedste præstation. Hvis du behandler dem med omtanke, skulle MR1'erne give dig lytteglæde i mange år.

Vi elsker vores MR1 højttalere og håber, at du også vil!



Alan O'Rourke
Grundlægger og administrerende direktør

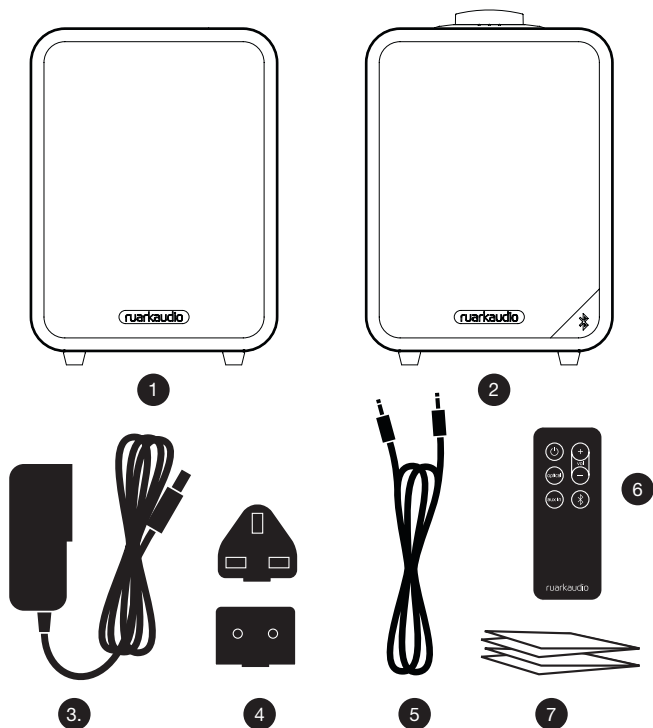
Hvad der er i boksen

Tjek at alle de dele, der er anført nedenfor, er i æsken. Hvis en del mangler, må du ikke bruge højttalerne og du bedes kontakte os direkte, hvis de er købt i Storbritannien eller din Ruark Audio forhandler, hvis de er købt udenfor Storbritannien.

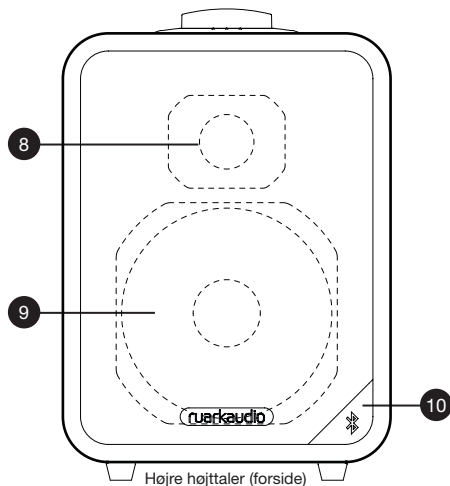
1. Venstre højttaler
2. Højre højttaler
3. Strømadapter
4. Stik til strømadapter*
5. Højttaler-forbindelseskabel
6. Fjernbetjening
7. Brugervejledning & andre dokumenter

Gem alt indpakningsmateriale.

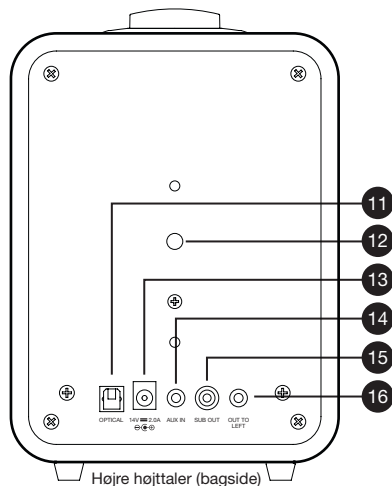
* Antallet og typen af medleverede stikadptere vil variere i henhold til region.



Oversigt

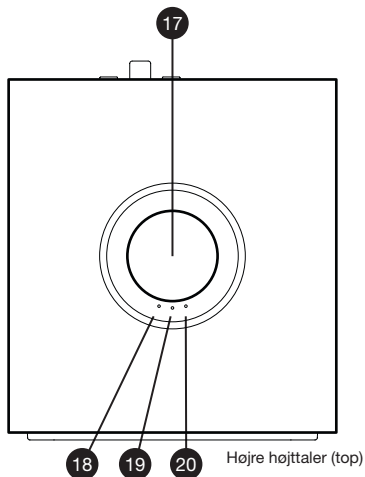


- 8. Silkekuppel tweeter
- 9. Neodym woofer
- 10. Fjernbetjening
- 11. Optisk indgang (Toslink)
- 12. Vægmontering (1/4-20 UNC gevind)



- 13. Jævnstrømsstik
- 14. Aux-indgang (3,5mm stereojack)
- 15. Subwoofer-udgang (phono)
- 16. Udgang til venstre højttaler (3,5mm monojack)

Knapper

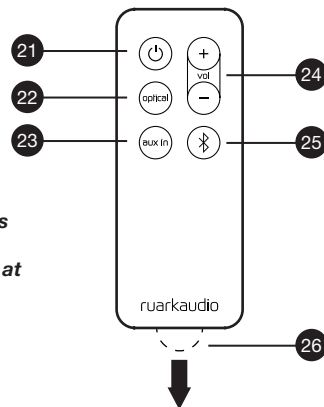


- 17. Kontrolknap
- 18. Optisk indgang-indikator LED (grøn)
- 19. Bluetooth indgang-indikator LED (blå)
- 20. Aux-indgang-indikator LED (gul)

Fjernbetjening

- 21. Standby
- 22. Optisk
- 23. Aux-indgang
- 24 LYDSTYRKE
- 25. Bluetooth
- 26. Batteriflig

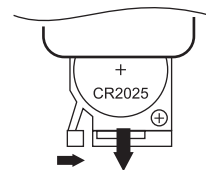
BEMÆRK: før fjernbetjeningen anvendes for første gang, skal plastfligen (26) fjernes for at aktivere batteriet.



DA

Udskiftning af batteri

1. Hold låsen til siden med din finger og træk batterirummet ud.
2. Vend fjernbetjeningen, så forsiden er nedad og udskift batteriet med et nyt CR2025, idet det sikres, at den flade side med +-mærket vender opad.
3. Skub batterirummet tilbage på plads.



Opsætning

1 Placering af højttalere

For den bedste stereogengivelse skal venstre og højre højttaler placeres ikke mindre end 60cm fra hinanden med lydstyrkekontrollen til højre. Undgå objekter foran højttalerne og sørg ligeledes for, at undersiden af højttalerne er fri for forhindringer.

2 Tilslut højttalerne til hinanden

Tilslut de to højttalere med forbindelseskablet, sæt den ene ende ind i udgangen på den højre højttaler og den anden ende ind i indgangsstikket på den venstre højttaler.

3 Tilslut til netspænding

Sæt det korrekte stik for din region i netspændingsadaptoren, den vil "klikke" på plads. Tilslut netspændingsadaptoren til jævnstrømsstikket på bagsiden af MR1 og tilslut den derefter til stikkontakten og tænd den, hvis behørigt.

4 Tænd for højttalerne

Tryk på kontrolknappen, eller på standby-knappen på fjernbetjeningen. Når der tændes for første gang, vil MR1'erne blive tændt i Bluetooth-mode og automatisk gå i parringstilstand (blå LED blinker).

5 Skift kilde

Tryk på kontrolknappen for at skifte mellem Bluetooth, Aux-indgang og Optisk.

6 Indstil lydstyrken

Drej lydstyrkekontrolknappen med uret for at hæve lydstyrken og mod uret for at sænke den, eller brug lydstyrkeknapperne på fjernbetjeningen. Når den maksimale eller minimale lydstyrke nås, vil statusindikator-LED'en slukke midlertidigt.

7 Standby

Tryk og hold ned på kontrolknappen i 1-2 sek. indtil kilde-LED'en slukker, eller tryk på standby-knappen på fjernbetjeningen.

Aux-indgang

1 Tilslut din analoge lydenhed

Sæt et standard 3,5mm stereojackkabel (sælges separat) i AUX IN-stikket på bagsiden af den højre højttaler og den anden ende i den enhed, du ønsker at spille fra (CD-afspiller, laptop, TV etc).

2 Vælg Aux-indgang

Tryk gentagne gange på kontrolknappen indtil den gule Aux in-LED lyser eller tryk på Aux in-knappen på fjernbetjeningen.

3 Start lydafspilning på din enhed

Optisk

1 Tilslut din analoge lydenhed

Sæt et standard Toslink optisk kabel (sælges separat) i OPTISK-stikket på bagsiden af den højre højttaler og den anden ende i den enhed, du ønsker at spille fra (spillekonsol, TV etc).

2 Vælg Optisk-indgang

Tryk gentagne gange på kontrolknappen indtil den grønne Optisk indgang-LED lyser eller tryk på Optisk-knappen på fjernbetjeningen.

3 Start lydafspilning på din enhed

Bluetooth

For at streame lyd fra en Bluetooth-lydenhed skal du først parre den med dine MR1 højttalere.

Par og tilslut din enhed

1 Vælg Bluetooth-mode på dine MR1 højttalere
Tryk gentagne gange på kontrolknappen indtil den blå Bluetooth-LED lyser; den vil begynde at blinke, hvilket viser, at dine MR1 højttalere venter på at parre med en Bluetooth-lydenhed.

2 Par din Bluetooth-lydenhed
Gå til indstillinger på din lydenhed, tænd for Bluetooth og vælg "RUARK MR1" fra enhedslisten (det kan tage nogle få sekunder, før de kommer til syne). Når dine MR1 højttalere er parret og tilsluttet, vil den blå LED skifte til konstant blå.

3 Start musikafspilning på din Bluetooth-enhed
Du skal måske vælge "Ruark MR1" eller Bluetooth som din afspilningsenhed.

Auto-tilslutning

Dine MR1 højttalere vil automatisk forsøge at tilslutte sig til den sidst tilsluttede Bluetooth-enhed.

Driftsområde

MR1-højttalerne vil typisk fungere op til 10 meter fra Bluetooth-lydenheden, men forhindringer, som f.eks. vægge, vil reducere dette.

Frakobling af en anordning

Tryk på kontrolknappen eller på Bluetooth-knappen på fjernbetjeningen. Det vil frakoble den aktuelle enhed, den blå LED vil blinke og dine MR1 højttalere vil være parat til at parre eller tilslutte igen.

Parring af yderligere enheder til MR1 højttalerne

Du kan parre op til 8 enheder, selvom du kun vil kunne afspille lyd fra en enhed ad gangen.

Sletning af parre-liste

Tryk og hold ned på kontrolknappen i 5 sek., indtil alle 3 LED'er lyser. Det kan også være nødvendig at ophæve eller slette "Ruark MR1" indlæsningen i din enheds Bluetooth parre-liste.

Lydstyrke

Lydstyrken på din Bluetooth lydenhed og dine MR1 højttalere vil forblive uafhængige af hinanden, vi anbefaler, at lydstyrken dreje til tæt på maksimal på din lydenhed og kontrollere udgangslydstyrken kontrolleres på MR1 højttaleren.

Andre funktioner

Indgangsniveau-justering

Hvis lydstyrken er mærkbart lavere, når du lytter til Aux- eller Optisk-indgang, end når du lytter til andre kilder, kan det være nødvendigt at forøge indgangsniveauet.

Hvis lydstyrken er højere og forvrænges, skal du forøge indgangsniveauet.

Indgangsniveauet justeres ved at vælge den kilde, der skal justeres og derefter trykke og holde ned på den tilsvarende kildeknop på fjernbetjeningen, indtil alle 3 LED'er blinker. Brug lydstyrkeknapperne på fjernbetjeningen eller lydstyrkeknappen til at ændre niveauet (1 LED = lav, 3 LED'er = høj), tryk derefter på knappen for at bekræfte dit valg og alle 3 LED'er vil blinke.

Snooze tilstand

For at spare på strømmen vil dine MR1 højttalere automatisk gå i snooze tilstand efter 20 minutter uden et lydsignal. Bluetooth forbliver aktiv og dine MR1 højttalere vil automatisk tænde igen, lige så snart du genoptager lydafspilning. I snooze tilstand vil kilde-LED'en pulsere let.

Deaktivering snooze

For at deaktivere snooze, tænder MR1, og derefter trykke på og holde standby-knappen på fjernbetjeningen i 5 sekunder, indtil alle lysdioder blinker to gange. For at genaktivere den ved at trykke på standby-knappen i 5 sekunder, indtil alle lysdioder blinker en gang.

Vægmontering

MR1 højttalerne kan monteres på væggen med de integrerede 1/4-20 UNC gevindskårne indsats på bagsiden.

For yderligere information kontakt din forhandler eller besøg www.ruarkaudio.com

BackPack batteripakke kompatibel

MR1 højttalerne er helt kompatible med Ruark Audio BackPack batteripakken, så du kan bruge dem, hvis der ikke er noget forsyningsnet.

Hvis din BackPack batteripakke kan slukkes, anbefaler vi, at du gør det, når du ikke bruger dine MR1 højttalere, da de selv i standby langsomt vil dræne batterierne.

For nyttige tips og vink om, hvordan du bruger dine MR1 højttalere, besøg www.ruarkaudio.com

Sikkerheds- og lovgivningsmæssige oplysninger

- Læs denne brugervejledning og følg alle vejledninger, det vil hjælpe dig med at opstille og bruge dit produkt korrekt.
- Følg alle advarsler og gem denne brugervejledning til fremtidig brug.
- Man må ikke forsøge at bruge en beskadiget enhed, da det kan resultere i et farligt elektrisk stød.
- Man må ikke åbne enheden, eller afmontere paneler, så elektronikken afdækkes. Der er ingen dele indeni, som kan serviceres af brugeren.
- Al servicering skal udføres af kvalificeret servicepersonale. Servicering er påkrævet, hvis enheden er blevet beskadiget på nogen måde, som f.eks. hvis strømledningen eller -stikket er blevet beskadiget, der er spildt væske i, eller ting er faldet ned i, enheden, enheden er blevet udsat for regn eller fugtighed, hvis enheden ikke fungerer normalt eller den er blevet tabt.
- Denne enhed er beregnet til KUN at blive drevet med de vekselspændinger, der er anført på bagpanelet eller den medfølgende strømforsyning. Brug af andre strømspændinger end de anførte kan forårsage irreversibel skade på enheden og ugyldiggøre produktgarantien.
- Brug kun den strømforsyning, der leveres med enheden, eller et godkendt alternativ.
- Det skal sikres, at strømadapter, strømstik eller strømkonnettor ind i enheden er nemt tilgængelig i tilfælde af, at strømafbrudelse er påkrævet.
- Strømadapteren, strømstikket eller strømkonnetoren skal tages ud af stikkontakten for at frakoble systemet helt fra forsyningsnettet.
- Der må ikke placeres nogen form for åben ild, som f.eks. stearinlys, på eller tæt på enheden. Må ikke installeres tæt på varmekilder, som f.eks. radiatorer, brændeovne eller andre enheder (inklusive forstærkere), der frembringer varme.
- Undgå udsættelse for ekstrem varme eller kulde.
- Der må kun bruges udstyr/tilbehør, der er specificeret for enheden. Der må ikke udføres modifikationer til systemet eller tilbehør. Uautoriserede ændringer kan kompromittere sikkerhed, overholdelse af lovgivning og systempræstation.
- For at reducere risikoen for brand eller elektrisk stød må apparatet ikke udsættes for regn eller fugt. Enheden må ikke udsættes for dryp eller stænk og man må ikke placere genstande fyldt med væske, som f.eks. vaser, på eller i nærheden af enheden. Som med alle elektroniske produkter, skal man være forsigtig med ikke at spilde væsker ned i nogen del af systemet. Væsker kan forårsage driftssvigt og/eller en brandfare.
- Træk enhedens stik ud af kontakten, når det lyner, eller når enheden ikke bruges i længere tid ad gangen for at forhindre skade på enheden.
- For at forebygge risiko for fare eller elektrisk stød skal man undgå at overbelaste stikkontakter, forlængerledninger eller stikkontakter samt integrerede stikdåser.
- Længerevarende udsættelse for høj musik kan forårsage høreskade. Det er bedst at undgå ekstrem lydstyrke, når man bruger hovedtelefoner, især i længere perioder.
- Enheden må ikke installeres i et mindre, lukket rum. Der skal altid være et mellemrum på mindst 10cm omkring enheden for at sikre ventilation og man skal sørge for, at gardiner eller andre genstande aldrig tildækker enhedens ventilationsåbninger.
- Fjernbetjeningens batterier må ikke udsættes for ekstrem varme, såsom fra sollys eller ild, og brugte batterier skal bortskaffes ansvarligt.



LITHIUM-MØNTCELLE - SIKKERHED. Fjernbetjeningen indeholder et lithium-møntcellebatteri, der, hvis det sluges, kan forårsage kemiske forbrændinger. Nye og brugte batterier skal opbevares utilgængeligt for børn. Hvis man tror, at batterier kan være blevet slugt, skal man omgående søge lægehjælp. Man må ikke håndtere lækkende eller beskadigede batterier. Der er fare for eksplosion, hvis batteriet sættes forkert i. Batteriet må kun erstattes med den samme eller en tilsvarende type.



Denne enhed er afmærket i henhold til Europæisk direktiv 2012/19/EU om affald af elektrisk og elektronisk udstyr. Dette symbol angiver, at produktet eller dets batterier ikke må kasseres som almindeligt husholdningsaffald. Som alt andet elektrisk udstyr skal det kasseres i overensstemmelse med lokale bestemmelser.



CE-OVERENSSTEMMELSESOPLYSNINGER

Dette produkt overholder alle EU-direktivkrav i henhold til gældende lov. Du kan få en gratis kopi af Overensstemmelseserklæringen ved at kontakte din forhandler, distributor eller Ruark Audio.

Hermed erklærer Ruark Audio, at denne enhed overholder de væsentlige krav og andre relevante bestemmelser i det europæiske radioudstyrdirektiv 2014/53/EU.

Du kan downloade den fulde CE-overensstemmelseserklæring på www.ruarkaudio.com/doc/MR1mk2doc.pdf

Specifikationer

MR1 mk2 højttalere

- Ruark 75mm neodym woofere
- Ruark 20mm silkekuppel tweeters
- 20W lineær forstærker
- Lydkvalitets crossover-komponenter
- Bluetooth: A2DP, aptX
- Strømforsyning:
 - 10-12W typisk, 28W max,
 - 0,5W standby
- 3,5mm jack aux analog indgang
- Toslink optisk digital indgang
- Phono subwoofer-udgang
- Backpack-batteri kompatibel
- Dimensioner: 175 x 130 x 140mm
- Vægt: 1,3kg (H) 1,1kg (V)

Strømforsyning

- Indgangseffekt 100 til 240VAC
50-60Hz 1,0A max
- Udgangseffekt 14VDC 2,0A

Specifikation og design kan ændres uden forudgående varsel



Garantiinformation

Registrer dit produkt på for at få en forlænget **tre-års garanti**.

Som standard er dette produkt garanteret fri for mangler i en periode på to år fra købsdatoen, men dette udvides til tre år, hvis du registrerer dit produkt på **www.ruarkaudio.com**.

Denne garanti forbliver gyldig, forudsat at dette produkt er blevet behandlet med omhu og opmærksomhed. Produktsvigt ved utilsigtet skade, overdreven slid, uagtsomhed eller uautoriseret ændring annullerer denne garanti.

For produkter, der er købt uden for Storbritannien, garanterer forhandleren i det land, hvor det er købt, produktet. Kontakt den lokale Ruark-forhandler eller forretning for yderligere oplysninger.

Hvis du returnerer dette produkt, skal du sørge for, at det er pakket i den originale emballage, og at et købsbevis er inkluderet.

Denne garanti varierer ikke eller ændrer købers juridiske rettigheder på nogen måde.

Fejl og undladelser undtaget.

Generel pleje

- Rengør med en blød, frugfri støveklud eller let fugtet klud. Man må ikke bruge vokssprayprodukter eller andre substanser, da disse kan beskadige overfladens finish eller svække ydeevnen.
- Man må ikke udsætte enheden for direkte sollys, høj luftfugtighed, støv, stærk vibration eller ekstreme temperaturer, da disse kan påvirke dens finish, ydeevne og pålidelighed.
- Det anbefalede driftstemperaturområde er 5°C til 40°C.
- Kabinetter med naturtræ-finish vil variere og blive lysere eller mørkere med alderen, især hvis de udsættes for sollys.

Copyright og varemærker

© Ruark Audio. Alle rettigheder forbeholdes. Ruark Audio, Ruark Audio logo og andre Ruark Audio mærker tilhører Ruark Audio og kan være registreret. Alle andre varemærker tilhører deres respektive ejere. Ruark Audio påtager sig intet ansvar for fejl, der kan forekomme i denne manual og informationen heri kan ændres uden forudgående varsel. Bluetooth® og tilknyttede logoer er indregistrerede varemærker tilhørende Bluetooth SIG, Inc. Qualcomm aptX er et produkt af Qualcomm Technologies International Ltd. Alle andre varemærker tilhører deres respektive ejere.

MR₁

Bluetooth®-Lautsprecher
MR1 mk2

User guide	EN
Brugervejledning	DA
Bedienungsanleitung	DE
Guía del usuario	ES
Guide de l'utilisateur	FR
Manuale dell'utente	IT
ユーザーガイド	JA
사용자 안내서	KO
Gebruikershandleiding	NL
Brukerveiledning	NO

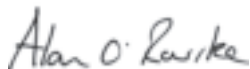
ruarkaudio

Vielen Dank, dass Sie sich für die MR1-Mk2-Bluetooth-Aktiv-Lautsprecher entschieden haben.

Ruark Audio startete anfänglich als Spezialist für HI-FI-Lautsprechersysteme und diese Leidenschaft für Klangqualität ist der Kern all unserer Produkte. Die originalen MR1-Lautsprecher wurden von der Presse und den Kunden gleichermaßen für ihren satten Klang und das tolle Design hochgelobt. Die mark 2-Version sorgt dafür, dass diese großartigen kleinen Lautsprecher topaktuell bleiben. Sie sind schöner und klingen besser als je zuvor, sind noch leichter zu bedienen und haben jetzt auch einen optischen Eingang.

Nehmen Sie sich die Zeit, diese Bedienungsanleitung zu lesen, damit sie Ihre Lautsprecher problemlos einrichten und optimal einsetzen können. Mit der entsprechenden Sorgfalt sollten Sie viele Jahre Hörgenuss mit Ihren MR1-Lautsprechern haben.

Wir lieben unsere MR1-Lautsprecher und wir hoffen, dass es Ihnen auch so geht!

A handwritten signature in black ink that reads "Alan O'Rourke". The signature is written in a cursive, slightly slanted style.

Alan O'Rourke
Gründer und Geschäftsführer

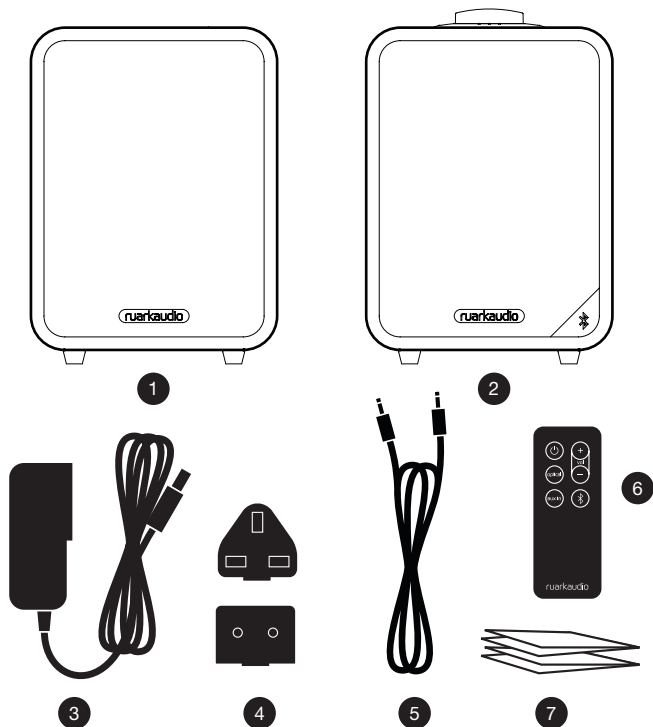
Inhalt der Box

Vergewissern Sie sich, dass alle unten aufgeführten Teile in der Box enthalten sind. Sollte ein Teil fehlen, bitten wir Sie, die Lautsprecher nicht zu benutzen und sich direkt an uns zu wenden, falls Sie die Lautsprecher im Vereinigten Königreich oder an Ihren Ruark Audio-Händler, falls Sie die Lautsprecher anderswo gekauft haben.

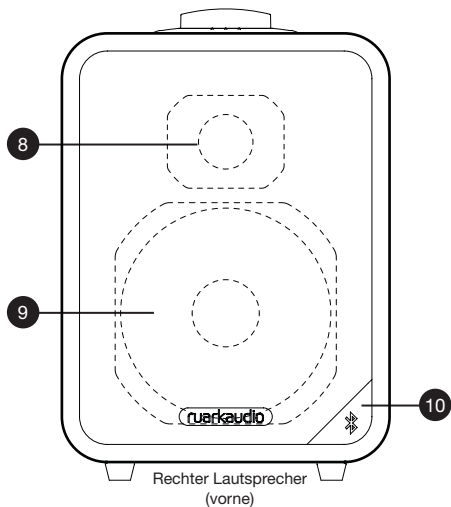
1. Linker Lautsprecher
2. Rechter Lautsprecher
3. Netzteil
4. Stecker für Netzteil*
5. Lautsprecherverbindungskabel
6. Fernbedienung
7. Bedienungsanleitung & andere Unterlagen

Bitte bewahren Sie die gesamte Verpackung auf.

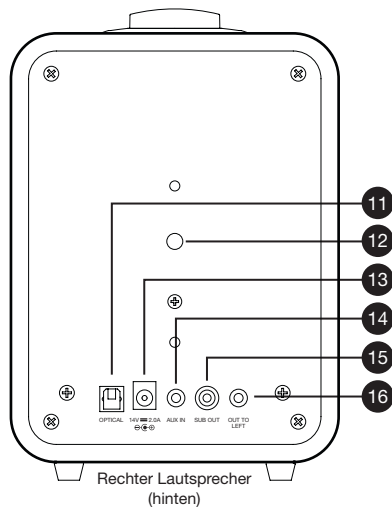
* Anzahl und Art der gelieferten Zwischenstecker sind von Region zu Region unterschiedlichen.



Übersicht

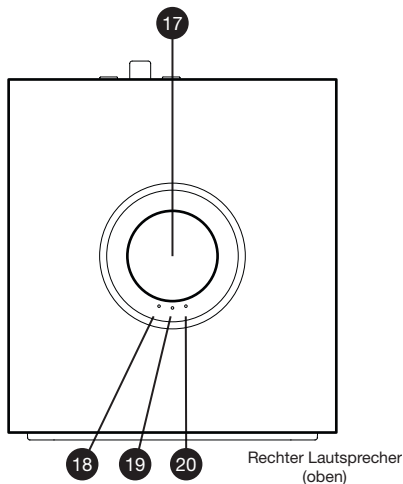


- 8. Seidenhochtöner
- 9. Neodym-Tieftöner
- 10. Fernfühler
- 11. Optischer Eingang (Toslink)
- 12. Wandbefestigung (1/4-20-UNC-Gewinde)



- 11. Optischer Eingang (Toslink)
- 12. Wandbefestigung (1/4-20-UNC-Gewinde)
- 13. Gleichstromnetzsteckdose
- 14. Aux-Eingang (3,5-mm-Stereo-Klinkenbuchse)
- 15. Subwoofer-Ausgang (Cinch)
- 16. Ausgang zu linkem Lautsprecher (3,5 mm-Mono-Klinkenbuchse)

Bedienelemente

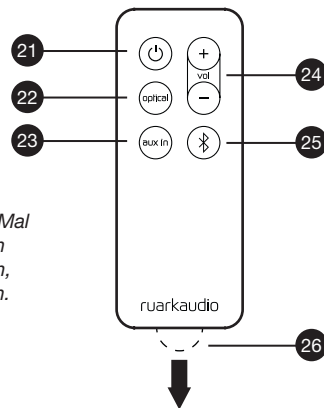


17. Drehknopf
18. LED-Anzeige Optischer Eingang (grün)
19. LED-Anzeige Bluetooth-Eingang (blau)
20. LED-Anzeige Aux-Eingang (gelb)

Fernbedienung

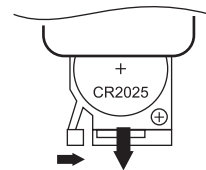
21. Standby
22. Optischer Eingang
23. Aux-Eingang
24. Lautstärke
25. Bluetooth
26. Batterieabdeckung

HINWEIS: Bevor Sie Ihre Fernbedienung zum ersten Mal verwenden, müssen Sie den Plastikstreifen (26) entfernen, um die Batterie zu aktivieren.



Batteriewechsel

1. Halten Sie den Riegel mit dem Finger zur Seite und schieben Sie das Batteriefach heraus.
2. Halten Sie die Fernbedienung mit der Oberseite nach unten und ersetzen Sie die Batterie durch eine neue CR2025, wobei die flache Seite mit dem + nach oben zeigen muss.
3. Schließen Sie das Batteriefach wieder.



Setup

1 Positionierung der Lautsprecher

Für die beste Stereo-Wiedergabe dürfen der linke und der rechte Lautsprecher nicht weniger als 60 cm voneinander entfernt aufgestellt sein, wobei sich der Lautstärkereglер auf der rechten Seite befinden muss. Stellen Sie keine Gegenstände vor die Lautsprecher und stellen Sie sicher, dass die Unterseite eines jeden Lautsprechers hindernisfrei ist.

2 Verbindung der Lautsprecher

Verbinden Sie die beiden Lautsprecher mit dem Verbindungskabel, indem Sie ein Ende in den Ausgang am rechten Lautsprecher und das andere Ende in den Eingang am linken Lautsprecher stecken.

3 Verbindung mit Netzspannung

Stecken Sie den richtigen Stecker für Ihre Region in das Netzteil bis er einrastet. Verbinden Sie das Netzteil mit der Gleichstromnetzsteckdose auf der Rückseite Ihres MR1 und verbinden Sie es dann mit der Wandsteckdose und, falls zutreffend, schalten Sie ihn ein.

4 Einschalten der Lautsprecher

Drücken Sie den Drehknopf oder den Standby-Knopf auf der Fernbedienung. Beim erstmaligen Einschalten Ihrer MR1-Lautsprecher befinden sich diese im Bluetooth-Modus und gehen automatisch in den Koppelmodus (blaue LED blinkt).

5 Ändern der Wiedergabequelle

Drücken Sie den Drehknopf, um zwischen Bluetooth, Aux-Eingang und Optischem Eingang zu wechseln.

6 Lautstärke anpassen

Drehen Sie den Lautstärke-Bedienungsknopf im Uhrzeigersinn, um die Lautstärke zu erhöhen, oder gegen den Uhrzeigersinn, um diese zu verringern. Sie können auch die Lautstärkeknöpfe (21) auf der Fernbedienung verwenden. Wenn Sie bei der Höchst- oder Mindestlautstärke angekommen sind, schaltet sich die Quellenanzeige-LED vorübergehend aus.

7 Standby

Den Drehknopf 1-2 Sekunden drücken und halten, bis die Quell-LED erlischt, oder drücken Sie den Standby-Knopf auf der Fernbedienung.

Aux-Eingang

- 1 Verbinden Ihres analogen Audio-Geräts**
Stecken Sie ein standardmäßiges 3,5 mm-Stereo-Klinkenkabel (separat erhältlich) in die AUX IN-Buchse auf der Rückseite des rechten Lautsprechers und das andere Ende in das Gerät, das Sie nutzen möchten (CD-Player, Laptop, Fernseher etc.)
- 2 Den Aux-Eingang wählen**
Drücken Sie mehrere Male den Drehknopf, bis die gelbe Aux-In-LED aufleuchtet oder drücken Sie den Aux-In-Knopf auf Ihrer Fernbedienung.
- 3 Starten Sie die Audio-Wiedergabe an Ihrem Gerät**

Optischer Eingang

- 1 Verbinden Sie Ihr optisches Audio-Gerät**
Verbinden Sie ein standardmäßiges optisches Toslink-Kabel (separat erhältlich) mit der OPTICAL-Buchse auf der Rückseite des rechten Lautsprechers und das andere Ende mit dem Gerät, das Sie nutzen möchten (Spielkonsole, Fernseher etc.).
- 2 Wählen Sie den optischen Eingang**
Drücken Sie mehrere Male den Drehknopf, bis die grüne LED des optischen Eingangs aufleuchtet oder drücken Sie den Optical-Knopf auf der Fernbedienung.
- 3 Starten der Audio-Wiedergabe auf Ihrem Gerät**

Bluetooth

Um Audiodaten von einem Bluetooth-Audio-Gerät zu streamen, müssen Sie es zunächst mit Ihren MR1-Lautsprechern koppeln.

Koppeln und Anschließen Ihres Geräts

1 Auswahl des Bluetooth-Modus auf Ihren MR1

Drücken Sie den Drehknopf mehrmals, bis die blaue Bluetooth-LED aufleuchtet; diese blinkt, um anzuzeigen, dass Ihre MR1-Lautsprecher jetzt mit einem Bluetooth-Audio-Gerät gekoppelt werden können.

2 Koppeln Ihres Bluetooth-Audio-Geräts

Öffnen Sie die Einstellungen an Ihrem Audio-Gerät, schalten Sie Bluetooth ein und wählen Sie „Ruark MR1“ aus der Liste der Geräte (es kann einige Sekunden dauern, bis diese erscheinen). Wenn Ihre MR1-Lautsprecher sich gekoppelt und verbunden haben, leuchtet die blaue LED durchgängig.

3 Starten der Musikwiedergabe auf Ihrem Bluetooth-Gerät

Es kann sein, dass Sie „Ruark MR1“ oder Bluetooth als Wiedergabegerät auswählen müssen.

Automatische Verbindung

Ihre MR1-Lautsprecher versuchen automatisch, sich mit dem zuletzt verbundenen Bluetooth-Gerät zu verbinden.

Einsatzbereich

Ihre MR1-Lautsprecher funktionieren normalerweise bis zu einer Entfernung von 10 Metern von Ihrem Bluetooth-Audio-Gerät, obwohl dieser Abstand durch Hindernisse wie beispielsweise Wände verringert werden kann.

Trennen eines Geräts

Drücken Sie den Drehknopf oder den Bluetooth-Knopf auf der Fernbedienung. Dadurch wird das aktuelle Gerät getrennt, die blaue LED blinkt und Ihre MR1-Lautsprecher stehen wieder zum Koppeln oder Verbinden bereit.

Kopplung von zusätzlichen Geräten mit Ihren MR1

Sie können bis zu 8 Geräte koppeln, obwohl Sie Audiodaten immer nur von einem Gerät abspielen können.

Löschen der Kopplungsliste

Den Drehknopf drücken und 5 Sekunden halten, bis alle 3 LEDs aufleuchten. Gegebenenfalls müssen Sie den „Ruark MR1“-Eintrag in Ihrer Bluetooth-Kopplungsliste entkoppeln oder löschen.

Lautstärkeregelung

Die Lautstärkereglung an Ihrem Bluetooth-Audio-Gerät und Ihren MR1-Lautsprechern bleiben unabhängig voneinander. Wir empfehlen, die Lautstärke an Ihrem Audio-Gerät fast auf Maximum zu stellen und die Wiedergabelautstärke an Ihren MR1-Lautsprechern zu regeln.

Andere Funktionen

Anpassen des Eingangspegels

Wenn die Lautstärke beim Anhören über den Aux- oder den optischen Eingang merklich geringer ist als beim Anhören über andere Quellen, müssen Sie vielleicht den Eingabepegel erhöhen.

Ist die Lautstärke höher und verzerrt, sollten Sie den Eingangspegel verringern.

Um den Eingangspegel anzupassen, wählen Sie die anzupassende Quelle, drücken und halten den entsprechenden Knopf der Quelle auf der Fernbedienung, bis alle 3 LEDs blinken. Mithilfe der Lautstärkeknöpfe auf der Fernbedienung oder dem Lautstärkedrehknopf können Sie den Pegel anpassen (1 LED = gering, 3 LEDs = hoch). Dann drücken Sie den Knopf, um Ihre Auswahl zu bestätigen, woraufhin alle 3 LEDs blinken.

Snooze-Modus

Um Strom zu sparen, schalten sich Ihre MR1-Lautsprecher nach 20 Minuten ohne Audio-Signal in den Snooze-Modus. Bluetooth bleibt aktiv und Ihre MR1-Lautsprecher schalten sich automatisch wieder an, sobald Sie die Audio-Wiedergabe erneut starten. Im Snooze-Modus pulsieren die Quell-LED langsam.

Deaktivieren des Snooze-Modus

Um den Snooze-Modus zu deaktivieren, schalte den MR1 ein und drücke dann die Standby-Taste auf der Fernbedienung für 5 Sekunden, bis alle LEDs zweimal blinken. Um es wieder zu aktivieren, drücken Sie die Standby-Taste für 5 Sekunden, bis alle LEDs einmal blinken.

Wandmontage

Ihre MR1-Lautsprecher können mithilfe des integrierten 1/4-20 UNC-Gewindeinsatzes auf der Rückseite auch an der Wand befestigt werden.

Für weitere Informationen wenden Sie sich bitte an Ihren Händler oder besuchen Sie www.ruarkaudio.com.

Kompatibel mit BackPack-Akku

Ihre MR1-Lautsprecher sind mit dem Audio-BackPack-Akku von Ruark kompatibel. Sie können diese also verwenden, wenn kein Stromanschluss vorhanden ist.

Wenn Ihr BackPack-Akku ausgeschaltet werden kann, empfehlen wir Ihnen dies auch zu tun, wenn Sie Ihre MR1-Lautsprecher nicht verwenden, da auch im Standby die Batterien langsam entladen werden.

Besuchen Sie www.ruarkaudio.com für nützliche Hinweise und Tipps zur Verwendung Ihrer MR1-Lautsprecher.

Sicherheitshinweise und gesetzliche Vorschriften

- Lesen Sie diese Bedienungsanleitung und befolgen Sie alle Anweisungen für eine einfache und ordnungsgemäße Einrichtung und Bedienung Ihres Produkts.
- Beachten Sie die Warnhinweise und bewahren Sie diese Bedienungsanleitung zum späteren Nachschlagen auf.
- Versuchen Sie nicht, beschädigte Teile zu verwenden, da dies zu einem Stromschlag führen könnte.
- Gerät nicht öffnen. Abdeckungen nicht entfernen. Elektronik nicht freilegen. Das Gerät darf nicht vom Verbraucher gewartet oder repariert werden.
- Jegliche Wartungs- und Reparaturarbeiten nur durch qualifiziertes Personal vornehmen lassen. Eine Instandsetzung ist erforderlich, wenn das Gerät beschädigt wurde, einschließlich Beschädigungen am Netzkabel oder -stecker, Flüssigkeit verschüttet wurde oder Gegenstände auf das Gerät gefallen sind, das Gerät Regen oder Feuchtigkeit ausgesetzt war, nicht ordnungsgemäß funktioniert oder fallen gelassen wurde.
- Dieses Gerät ist AUSSCHLIESSLICH mit der auf der Rückseite oder dem mitgelieferten Netzteil vermerkten Wechselspannung zu betreiben. Der Betrieb mit einer anderen als der vermerkten Spannung kann irreparablen Schaden am Gerät verursachen und zum Verlust der Produktgarantie führen.
- Verwenden Sie ausschließlich das mitgelieferte Netzteil oder eine zugelassene Alternative.
- Stellen Sie sicher, dass der Netzadapter, der Netzstecker oder der Netzanschluss für die Einheit gut zugänglich sind, falls diese vom Stromnetz getrennt werden muss.
- Das Netzteil, der Netzstecker oder der Netzanschluss muss aus der Steckdose gezogen werden, um die Anlage vollständig vom Stromnetz zu trennen.
- Stellen Sie keine offenen Flammen, wie zum Beispiel brennende Kerzen, auf oder in die Nähe des Geräts. Nicht in der Nähe von Wärmequellen wie beispielsweise Heizkörpern, Öfen oder anderen Geräten (einschließlich Verstärkern) aufstellen, die Wärme erzeugen.
- Keiner extremen Hitze oder Kälte aussetzen.
- Ausschließlich Zusatzgeräte/Zubehör verwenden, die/das für dieses Gerät angegeben wurde/n. Keine Änderungen an der Anlage oder Ihrem Zubehör vornehmen. Nicht autorisierte Veränderungen können Sicherheit, die Erfüllung gesetzlicher Auflagen und die Leistung der Anlage umfassen.
- Um die Brandgefahr oder die Gefahr eines Stromschlags zu verringern, das Gerät vor Regen und Feuchtigkeit schützen. Das Gerät vor Tropfen oder Spritzern schützen und keine mit Flüssigkeit gefüllten Gegenstände, wie beispielsweise Vasen, auf oder in die Nähe des Geräts stellen. Wie bei allen Elektronikprodukten darauf achten, dass keine Flüssigkeit in die Teile der Anlage gerät. Flüssigkeiten können zu Funktionsstörungen und/oder Brandgefahr führen.
- Dieses Gerät während eines Gewitters oder bei längerem Nichtgebrauch vom Stromnetz trennen, um Schäden am Gerät zu verhindern.
- Zur Vermeidung von Brand- oder Stromschlaggefahr Überlasten von Netzsteckdosen, Verlängerungskabeln oder Mehrfachsteckdosen vermeiden.
- Laute Musik über eine längere Dauer kann zu Gehörschäden führen. Es empfiehlt sich, bei der Verwendung von Kopfhörern extreme Lautstärken insbesondere für längere Zeiträume zu vermeiden.
- Dieses Gerät nicht in geschlossenen Räumen aufstellen. Zur Belüftung immer einen Abstand von mindestens 10 cm um das Gerät einhalten und dafür sorgen, dass Vorhänge oder andere Gegenstände keine Lüftungsöffnungen am Gerät verdecken.
- Die Batterien der Fernbedienung dürfen nicht übermäßiger Hitze wie beispielsweise durch Sonneneinstrahlung oder Feuer ausgesetzt und müssen gesondert entsorgt werden.



SICHERHEITSHINWEIS FÜR LITHIUM-KNOPFZELLE. Die Fernbedienung enthält eine Lithium-Knopfzelle, die bei Verschlucken zu Verätzungen führen kann. Neue und gebrauchte Batterien außerhalb der Reichweite von Kleinkindern aufbewahren. Bei Verdacht auf Verschlucken holen Sie sofort ärztlichen Rat ein. Keine auslaufenden oder beschädigten Batterien verwenden. Explosionsgefahr bei unsachgemäßem Wechsel der Batterie. Nur durch Batterien desselben oder eines gleichwertigen Typs ersetzen.



Dieses Gerät ist gemäß der Europäischen Richtlinie 2012/19/EU über Elektro- und Elektronik-Altgeräte gekennzeichnet. Dieses Symbol zeigt an, dass das Produkt oder die dazugehörigen Batterien nicht mit dem normalen Hausmüll entsorgt werden dürfen. Entsorgen Sie es gemäß den geltenden Bestimmungen für Elektronikmüll.



CE-KONFORMITÄT

Dieses Produkt entspricht allen gesetzlich vorgeschriebenen EU-Richtlinien. Ein kostenloses Exemplar der Konformitätserklärung erhalten Sie bei Ihrem Händler, Lieferanten oder Ruark Audio.

Hiermit erklärt Ruark Audio, dass dieses Gerät den grundlegenden Anforderungen und einschlägigen Bestimmungen der Funkgeräte-Richtlinie 2014/53/EU entspricht.

Sie können die vollständige CE-Konformitätserklärung herunterladen: www.ruarkaudio.com/doc/MR1mk2doc.pdf

Technische Daten

MR1-mk2-Lautsprecher

- Ruark 75 mm Neodym-Tieftöner
- 20 mm-Seidenhochtöner von Ruark
- 20 W Linearverstärker
- Audio-Crossover-Komponenten
- Bluetooth: A2DP, aptX
- Stromverbrauch:
 - 10 - 12 W typisch, 28 W max.,
 - 0,5 W Standby
- analoger 3,5 mm-Klinkenstecker-Aux-Eingang
- optischer Toslink-Digitaleingang
- Cinch-Subwoofer-Ausgang
- Kompatibel mit BackPack-Batterie
- Abmessungen: 175 x 130 x 140 mm
- Gewicht: 1,3 kg (R) 1,1 kg (L)

Netzteil

- Eingangsleistung 100 bis 240 V Wechselstrom
- 50-60 Hz, 1,0 A max.
- Ausgangsleistung: 14 V Gleichstrom, 2,0 A

Technische und konstruktive Änderungen vorbehalten.



Bluetooth®

Qualcomm
aptX™



Garantie

Registrieren Sie Ihr Produkt, um eine **Garantieverlängerung auf drei Jahre** zu erhalten.

Standardmäßig erhalten Sie auf dieses Produkt zwei Jahre Garantie. Diese verlängert sich jedoch auf drei Jahre, wenn Sie Ihr Produkt unter **www.ruarkaudio.com** registrieren.

Diese Garantie bleibt gültig, sofern dieses Produkt mit der gebotenen Sorgfalt und Aufmerksamkeit behandelt wurde. Ein Produktausfall durch versehentliche Beschädigung, unsachgemäße Handhabung, Fahrlässigkeit oder unbefugte Änderung führt zum Erlöschen dieser Garantie.

Für Produkte, die außerhalb Großbritanniens gekauft wurden, garantiert der jeweilige Distributor im Kaufland für das Produkt. Für Einzelheiten wenden Sie sich bitte an den örtlichen Ruark-Händler oder die autorisierte Ruark-Distribution. Wenn Sie dieses Produkt zurücksenden, stellen Sie bitte sicher, dass es in der Originalverpackung verpackt ist und der entsprechende Kaufnachweis beigelegt ist.

Diese Garantie ändert oder beseitigt in keiner Weise die gesetzlichen Rechte des Käufers. Fehler und Irrtümer ausgenommen.

Allgemeine Pflege

- Reinigen Sie das Gerät mit einem weichen, fusselfreien Tuch oder einem leicht angefeuchteten Lappen. Verwenden Sie keine Wachssprays oder anderen Substanzen, da diese die Oberflächenbeschaffenheit beschädigen oder die Leistung beeinträchtigen könnten.
- Setzen Sie Ihr Gerät keinem direkten Sonnenlicht, hoher Luftfeuchtigkeit, Staub, starken Vibrationen oder extremen Temperaturen aus. All diese Faktoren haben Einfluss auf die Oberflächen, Leistung und Zuverlässigkeit des Geräts.
- Die empfohlene Betriebstemperatur liegt zwischen 5°C und 40°C.
- Naturholzoberflächen können sich optisch unterscheiden und nach längerer Zeit nachdunkeln oder aufhellen, vor allem wenn sie Sonnenlicht ausgesetzt sind.

Urheberrecht und Warenzeichen

© Ruark Audio. Alle Rechte vorbehalten. „Ruark Audio“, das „Ruark Audio“-Logo und andere „Ruark Audio“-Zeichen sind Eigentum von Ruark Audio und können eingetragen sein. Alle anderen Warenzeichen sind Eigentum ihrer jeweiligen Inhaber. Ruark Audio übernimmt keine Verantwortung für Fehler in dieser Bedienungsanleitung. Änderungen an den darin enthaltenen Informationen sind vorbehalten. Bluetooth® und die damit verbundenen Logos sind eingetragene Warenzeichen von Bluetooth SIG, Inc. Qualcomm aptX ist ein Produkt von Qualcomm Technologies International, Ltd. Alle anderen Warenzeichen sind Eigentum ihrer jeweiligen Inhaber.

MR₁

Altavoces por Bluetooth®
MR1 mk2

User guide	EN
Brugervejledning	DA
Bedienungsanleitung	DE
Guía del usuario	ES
Guide de l'utilisateur	FR
Manuale dell'utente	IT
ユーザーガイド	JA
사용자 안내서	KO
Gebruikershandleiding	NL
Brukerveiledning	NO

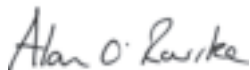
ruarkaudio

Gracias por elegir nuestros altavoces activos por Bluetooth MR1 mk2.

Ruark Audio comenzó como especialista en sistemas de altavoces de alta fidelidad y esta pasión por la calidad del sonido se hace patente en todos nuestros productos. Los MR1 originales han ganado premios tanto de la prensa como del público por su excepcional sonido y bonito aspecto, y la edición marca 2 garantiza que estos pequeños altavoces estén actualizados. Su aspecto y sonido es mejor que nunca. De hecho, son más fáciles de utilizar y disponen además de una entrada óptica.

Dedique unos minutos a leer esta guía del usuario, ya que le ayudará a configurar y sacar el máximo rendimiento de los altavoces. Con el debido cuidado, los MR1 le ofrecerán muchos años de escucha sin problemas.

¡Nos encantan los MR1 y esperamos que a usted también!



Alan O'Rourke
Fundador y Director Gerente

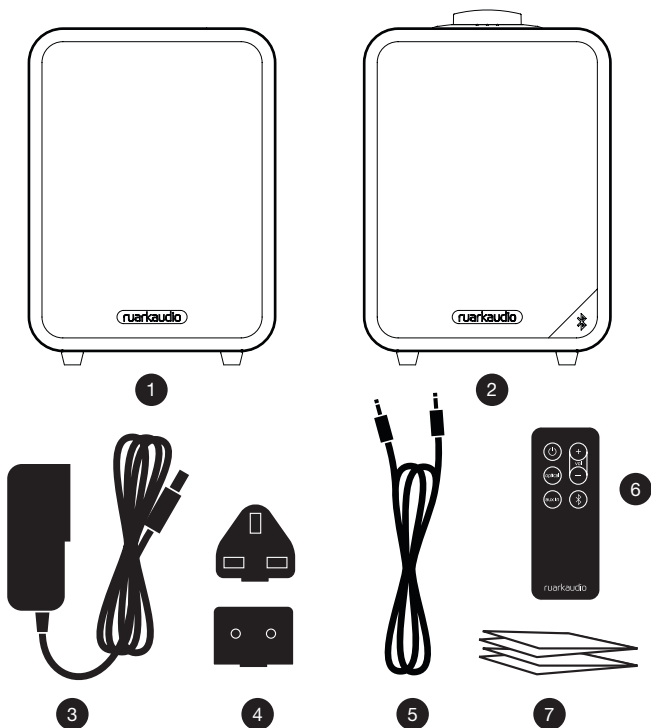
Contenido de la caja

Compruebe que se incluyan en la caja todas las piezas que se enumeran a continuación. Si falta alguna pieza, no utilice los altavoces y póngase en contacto directamente con nosotros si adquirió los altavoces en el Reino Unido o con su distribuidor Ruark Audio si los adquirió fuera del Reino Unido.

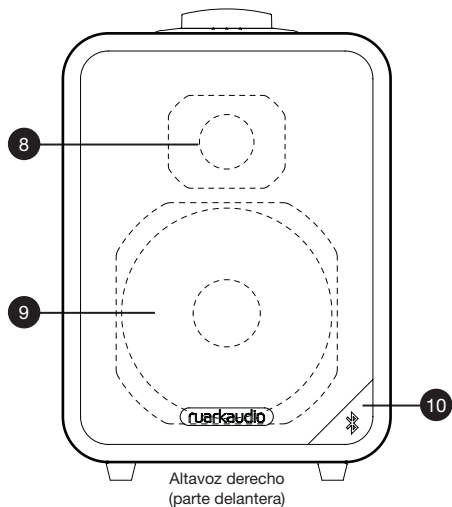
1. Altavoz izquierdo
2. Altavoz derecho
3. Adaptador de corriente
4. Conector(es) para el adaptador de corriente*
5. Cable de interconexión del altavoz
6. Mando a distancia
7. Manual de usuario y otros documentos

Conserve todos los materiales de embalaje.

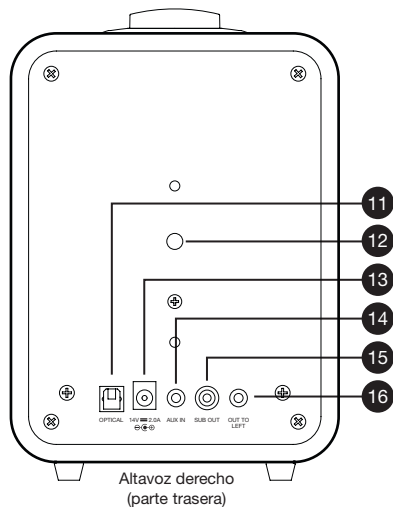
* El número y tipo de conectores del adaptador suministrado variará en función de la región.



Descripción

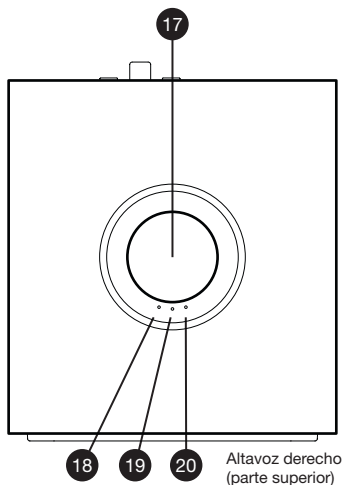


- 8. Tweeter de cono de seda
- 9. Woofer de neodimio
- 10. Sensor remoto
- 11. Entrada óptico (Toslink)
- 12. Soporte para pared (rosca UNC 1/4-20)



- 13. Toma de corriente CC
- 14. Entrada aux (clavija estéreo de 3,5 mm)
- 15. Salida de subwoofer (phono)
- 16. Salida al altavoz izquierdo (clavija mono de 3,5 mm)

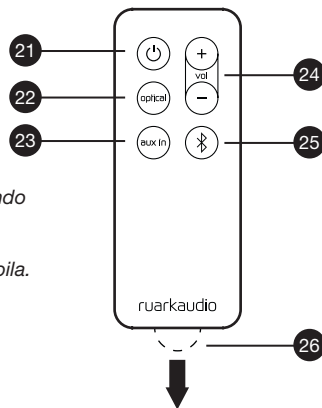
Controles



Mando a distancia

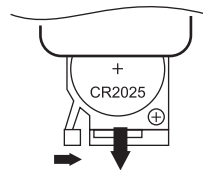
- 21. Reposo
- 22. Óptico
- 23. Entrada aux
- 24. Volumen
- 25. Bluetooth
- 26. Pestaña de la pila

NOTA: antes de usar el mando a distancia por primera vez, debe retirar la pestaña de plástico (26) para activar la pila.



Sustitución de las pilas

1. Sujete el cierre a un lado con el dedo y extraiga el compartimento de las pilas.
2. Con el mando a distancia boca abajo, sustituya la pila por una CR2025 nueva, comprobando que el lado plano con la indicación + esté orientado hacia arriba.
3. Vuelva a insertar el compartimento de la pila en su lugar.



Instalación

1 Colocación de los altavoces

Para obtener una reproducción estéreo óptima, coloque los altavoces izquierdo y derecho a una distancia mínima de 60 cm con el altavoz con control de volumen a la derecha. Evite colocar objetos delante de los altavoces y compruebe también que no esté obstruida la parte inferior de cada altavoz.

2 Conexión de los altavoces

Conecte los dos altavoces con el cable de interconexión, insertando un extremo en la salida del altavoz derecho y el otro en la toma de entrada del altavoz izquierdo.

3 Conexión a la alimentación

Instale la clavija correcta para su región en el adaptador de corriente y se instalará en su lugar con un clic.

Conecte el adaptador de corriente al conector de corriente continua CC en la parte trasera de su MR1 y después conéctelo al enchufe y, cuando proceda, enciéndalo.

4 Encendido de los altavoces

Pulse el mando de control o el botón de reposo en el mando a distancia. Cuando encienda el MR1 por primera vez, lo hará en modo Bluetooth y entrará de forma automática en modo enlace (parpadea un LED azul).

5 Cambio de fuente

Pulse el mando de control para pasar por Bluetooth, Entrada aux y Óptica.

6 Ajuste del volumen

Gire el mando de control del volumen en sentido horario para subir el volumen, en sentido antihorario para bajarlo o utilice los botones de volumen del mando a distancia. Cuando alcance el volumen máximo o mínimo, el indicador de fuente LED se apaga temporalmente.

7 Reposo

Mantenga pulsado el mando de control 1 o 2 segundos hasta que la fuente LED se apague, o pulse el botón reposo en el mando a distancia.

Entrada aux

- 1 Conecte su dispositivo de audio analógico**
Introduzca un cable estándar con clavija estéreo de 3,5 mm (se vende por separado) en el enchufe ENTRADA AUX de la parte trasera del altavoz derecho y el otro extremo en el dispositivo desde el que desee reproducir (reproductor de CD, portátil, TV, etc.)
- 2 Seleccione Entrada aux**
Pulse varias veces el mando de control hasta que se ilumine el LED ámbar de Entrada aux o pulse el botón Entrada aux en el mando a distancia.
- 3 Inicie la reproducción de audio en su dispositivo**

Óptica

- 1 Conecte su dispositivo de audio óptico**
Introduzca un cable estándar óptico Toslink (se vende por separado) en el enchufe ÓPTICO de la parte trasera del altavoz derecho y el otro extremo en el dispositivo desde el que desee reproducir (videoconsola, TV, etc.)
- 2 Seleccione Entrada óptica**
Pulse varias veces el mando de control hasta que se ilumine el LED verde de Entrada óptica o pulse el botón Óptico en el mando a distancia.
- 3 Inicie la reproducción de audio en su dispositivo**

Bluetooth

Para transmitir audio desde un dispositivo de sonido Bluetooth primero tiene que enlazarlo con sus altavoces MR1.

Enlace y conecte su dispositivo

1 Seleccione el modo Bluetooth en sus MR1

Pulse varias veces el mando de control hasta que se ilumine el LED azul de Bluetooth. Comenzará a parpadear, lo que indica que los MR1 están a la espera de enlazarse con un dispositivo de audio Bluetooth.

2 Enlace su dispositivo de audio Bluetooth

Acceda a la configuración de su dispositivo de audio, encienda el Bluetooth y seleccione "Ruark MR1" de la lista de dispositivos (puede que tarde unos segundos en aparecer). Cuando haya enlazado y conectado su MR1, el LED azul cambiará se volverá azul fijo.

3 Inicie la reproducción de música en su dispositivo Bluetooth

Es posible que deba seleccionar "Ruark MR1" o Bluetooth como dispositivo de reproducción.

Conexión automática

Su MR1 intentará conectarse automáticamente al último dispositivo Bluetooth conectado.

Alcance operativo

Los MR1 funcionarán normalmente a una distancia máxima de 10 metros de su dispositivo de audio Bluetooth, aunque las obstrucciones, como paredes, reducirán esta distancia.

Desconexión de un dispositivo

Pulse el mando de control o el botón Bluetooth en el mando a distancia. Se desconectará el dispositivo actual, parpadeará el LED azul y el MR1 estará listo para enlazarse o conectarse de nuevo.

Enlace de dispositivos adicionales con su MR1

Es posible enlazar hasta 8 dispositivos, aunque solo es posible reproducir audio desde un dispositivo simultáneamente.

Borrado de la lista de enlaces

Mantenga pulsado el mando de control 5 segundos hasta que se iluminen los 3 LED. Es posible que también tenga que desenlazar o borrar la entrada "Ruark MR1" en la lista de enlaces Bluetooth de su dispositivo.

Control del volumen

Los controles de volumen en el dispositivo de audio Bluetooth y en el MR1 son independientes. Le recomendamos que configure el volumen de su dispositivo de audio casi al máximo y controle el volumen de salida en el MR1.

Otras funciones

Ajuste del nivel de entrada Aux u Óptica

Si está escuchando entrada Aux u Óptica y el volumen es considerablemente más bajo que cuando escucha otras fuentes, debería aumentar el volumen de entrada.

Si el volumen es más alto y distorsionado, debería reducir el volumen de entrada.

Para ajustar el nivel de entrada, seleccione la fuente que desea ajustar y mantenga pulsado el botón de la fuente correspondiente en el mando a distancia hasta que parpadeen los 3 LED. Utilice los botones de volumen del mando a distancia o del mando de volumen para modificar el nivel (1 LED = bajo, 3 LED = alto) y pulse el mando para confirmar su selección. Parpadearán los 3 LED.

Modo reposo

Para ahorrar energía, los altavoces MR1 entran en modo reposo de forma automática tras 20 minutos sin haber recibido señal de audio. El Bluetooth permanece activado, por lo que los MR1 volverán a activarse de forma automática en cuanto reanude la reproducción de audio. Cuando se encuentran en modo reposo, la fuente de luz LED parpadeará con suavidad.

Desactivación del modo reposo

Para desactivar el modo reposo, encienda el MR1 y, a continuación, mantenga pulsado el botón de espera en el control remoto durante 5 segundos hasta que todos los LED parpadeen dos veces. Para volver a activarlo, pulse el botón de espera durante 5 segundos hasta que todos los LED parpadeen una vez.

Soporte para pared

Los altavoces MR1 se pueden instalar con el inserto roscado UNC 1/4-20 de la parte trasera. Si desea más información, póngase en contacto con su distribuidor o visite la página www.ruarkaudio.com

Compatible con el conjunto de baterías BackPack

Su MR1 es totalmente compatible con el conjunto de baterías Ruark Audio BackPack, por lo que puede utilizarlo en lugares donde no haya corriente eléctrica disponible.

Le recomendamos que apague el conjunto de baterías BackPack, si fuera posible, cuando no utilice los MR1, ya que las baterías se descargan lentamente incluso en reposo.

Visite la página www.ruarkaudio.com para obtener trucos y consejos útiles sobre el uso de sus MR1.

Información normativa y de seguridad

- Lea este manual de usuario y siga todas las instrucciones, le ayudará a configurar y utilizar su producto correctamente.
- Respete todas las advertencias y conserve este manual para futuras referencias.
- No intente utilizar un dispositivo dañado, ya que podría provocar una descarga eléctrica peligrosa.
- No abra la unidad ni desmonte ningún panel para acceder a los componentes electrónicos. No hay piezas útiles para el usuario en el interior.
- Confíe todas las tareas de mantenimiento al personal cualificado. Se requiere mantenimiento cuando el dispositivo ha sufrido cualquier tipo de daños, por ejemplo si el cable de alimentación o el enchufe están dañados, si se ha derramado líquido o si han caído objetos dentro del dispositivo, si ha estado expuesto a la lluvia o humedad, si no funciona correctamente o si se ha dejado caer.
- Este dispositivo está diseñado para funcionar SOLAMENTE con los voltajes de CA que se indican en el panel trasero o la fuente de alimentación incluida. El funcionamiento con voltajes diferentes de los indicados podría causar daños irreversibles al dispositivo y anular la garantía del producto.
- Utilice solamente la fuente de alimentación incluida con el dispositivo o una alternativa homologada.
- Asegúrese de que es posible acceder fácilmente al adaptador de corriente, enchufe o conector de alimentación de la unidad en caso de que sea necesario desconectarla de la corriente.
- El adaptador de corriente, la toma o conector eléctrico deben retirarse del enchufe para desconectar por completo el sistema de la corriente.
- No coloque fuentes de llama expuestas, como velas encendidas, ni sobre ni cerca del dispositivo. No lo instale cerca de fuentes de calor, como radiadores, estufas u otros dispositivos (como amplificadores) que produzcan calor.
- Evite exponerlo a calor o frío extremos.
- Utilice solamente componentes/accesorios especificados para este dispositivo. No realice ninguna modificación en el sistema ni los accesorios. Las alteraciones no autorizadas pueden poner en peligro la seguridad, la conformidad normativa y el rendimiento del sistema.
- Para reducir el riesgo de incendio o descarga eléctrica, no exponga el dispositivo a la lluvia ni la humedad. No someta este dispositivo a gotas ni salpicaduras, y no coloque objetos llenos de líquidos, como jarrones, encima o cerca del mismo. Como con cualquier otro producto electrónico, tenga cuidado de no derramar líquidos en ninguna parte del sistema. Los líquidos podrían provocar una avería y/o riesgo de incendio.
- Desenchufe este dispositivo en tormentas eléctricas o cuando no se utilice durante largos periodos de tiempo para evitar daños.
- Para evitar el riesgo de incendio o descarga eléctrica, evite sobrecargar los enchufes, cables alargadores o prolongadores.
- Una exposición prolongada a música a alto volumen puede provocar daños auditivos. Es mejor evitar volúmenes extremos cuando se utilicen auriculares, en especial durante periodos prolongados.
- No instale este dispositivo en un espacio reducido. Deje siempre un espacio mínimo de 10 cm alrededor del dispositivo para ventilación y asegúrese de que las aberturas del dispositivo no queden cubiertas por cortinas u otros objetos.
- Las pilas del mando a distancia no deben exponerse a un calor excesivo, como la luz solar o un fuego, y las pilas usadas deben desecharse de forma responsable.



AVISO DE SEGURIDAD DE LAS PILAS BOTÓN DE LITIO. El mando a distancia contiene una pila botón de litio que, si se ingiere, puede causar quemaduras químicas. Mantenga las pilas nuevas y usadas fuera del alcance de los niños. Si cree que las pilas se han podido ingerir, busque atención médica de inmediato. No manipule pilas con pérdidas o dañadas. Peligro de explosión en caso de que la pila no esté correctamente colocada. Cambie sólo por el mismo tipo de pila o uno equivalente.



Este dispositivo se ha etiquetado de acuerdo con la Directiva Europea 2012/19/EU relativa a los residuos de aparatos eléctricos y electrónicos. Este símbolo indica que el producto o las pilas asociadas no deben desecharse como residuos domésticos generales. Como cualquier equipo eléctrico, debe desecharse de acuerdo con la normativa local.



INFORMACIÓN DE CONFORMIDAD CE

Este producto cumple todos los requisitos de las directivas europeas vigentes. Puede obtener una copia gratuita de la declaración de conformidad poniéndose en contacto con su establecimiento, distribuidor o con Ruark Audio.

Por la presente, Ruark Audio declara que este dispositivo cumple los requisitos básicos y cualquier otra disposición pertinente a la Directiva Europea 2014/53/UE relativa a la comercialización de equipos radioeléctricos.

Puede descargar el texto completo de la Declaración de Conformidad EC en www.ruarkaudio.com/doc/MR1mk2doc.pdf

Especificaciones

Altavoces MR1 mk2

- Altavoces de neodimio Ruark de 75 mm
- Tweeters de cono de seda Ruark de 20 mm
- Amplificador lineal de 20 W
- Componentes de cruce de audio
- Bluetooth A2DP, aptX
- Consumo de energía:
10-12 W típico, 28 W máx.,
0,5 W reposo
- Entrada análoga auxiliar con clavija de 3,5 mm
- Entrada digital óptica Toslink
- Salida subwoofer phono
- Compatible con batería BackPack
- Dimensiones: 175 x 130 x 140 mm
- Peso: 1,3 kg (R) 1,1 kg (L)

Alimentación

- Corriente de entrada de 100 hasta 240 V CA
50-60Hz 1,0 A máx
- Corriente de salida 14 V CC 2,0 A

Las especificaciones y el diseño están sujetas a modificaciones sin previo aviso



Garantía

Registre su producto para obtener una **garantía extendida de tres años**.

Como estándar, este producto está garantizado de estar libre de defectos por un período de dos años a partir de la fecha de compra, pero esto se extiende a tres años si registra su producto en **www.ruarkaudio.com**.

Esta garantía sigue siendo válida siempre que este producto haya sido tratado con el debido cuidado y atención. El fallo del producto por daños accidentales, desgaste excesivo, negligencia o modificación no autorizada anulará esta garantía.

Para los productos comprados fuera del Reino Unido, el distribuidor en el país de compra garantiza el producto. Para obtener más información, comuníquese con el distribuidor o punto de venta local de Ruark.

Si devuelve este producto, asegúrese de que esté embalado en su embalaje original y que se incluya el comprobante de compra.

Esta garantía de ninguna manera varía o elimina los derechos legales del comprador.

Errores y omisiones excluidos.

Cuidado general

- Limpiar con un paño suave y sin pelusa o con una bayeta ligeramente humedecida. No utilice rociadores de cera u otras sustancias, pues podrían dañar el acabado superficial o afectar el funcionamiento.
- No exponga su unidad a la luz solar directa, humedad elevada, polvo, vibración excesiva o temperaturas extremas, pues podrían afectar al acabado, el funcionamiento y la fiabilidad de la unidad.
- El intervalo de temperatura operativa recomendada es de 5 a 40 °C.
- Las cajas con acabado en madera natural cambiarán y se aclararán u oscurecerán con la edad, en particular si se exponen a la luz solar.

Copyright y marcas registradas

© Ruark Audio. Reservados todos los derechos. Ruark Audio, el logotipo de Ruark Audio y otras marcas de Ruark Audio son propiedad de Ruark Audio y pueden estar registradas. Todas las demás marcas registradas son propiedad de sus respectivos autores. Ruark Audio no asume responsabilidad alguna sobre cualquier error que pueda aparecer en este manual y la información que contiene puede modificarse sin previo aviso. Bluetooth® y los logotipos asociados son marcas comerciales registradas propiedad de Bluetooth SIG, Inc. Qualcomm aptX es un producto de Qualcomm Technologies International Ltd.

Todas las demás marcas registradas son propiedad de sus respectivos autores.

MR₁

Haut-parleurs Bluetooth®
MR1 mk2

User guide	EN
Brugervejledning	DA
Bedienungsanleitung	DE
Guía del usuario	ES
Guide de l'utilisateur	FR
Manuale dell'utente	IT
ユーザーガイド	JA
사용자 안내서	KO
Gebruikershandleiding	NL
Brukerveiledning	NO

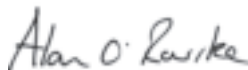
ruarkaudio

Nous vous remercions d'avoir choisi nos haut-parleurs actifs MR1 mk2.

Ruark Audio a commencé en tant que spécialistes dans les systèmes de haut-parleurs haute-fidélité, et cette passion pour la qualité sonore est au cœur de tous nos produits. Les MR1 originaux se sont vus récompensés par éloges de la presse et du public grâce à leur richesse sonore et esthétique, et la version mark 2 garantit que ces petits haut-parleurs magnifiques restent au goût du jour. Leur look et leur qualité sonore est encore meilleure qu'auparavant, ils sont encore plus faciles à utiliser, et maintenant également dotés d'une prise optique.

Lisez attentivement ce guide qui vous aidera à les installer et à en tirer la meilleure qualité possible. Si vous y en prenez soin, les MR1 devraient vous satisfaire pendant des années.

Nous aimons nos MR1 et nous espérons que vous aussi !

A handwritten signature in black ink that reads "Alan O'Rourke". The signature is written in a cursive, flowing style.

Alan O'Rourke
Fondateur et Directeur Général

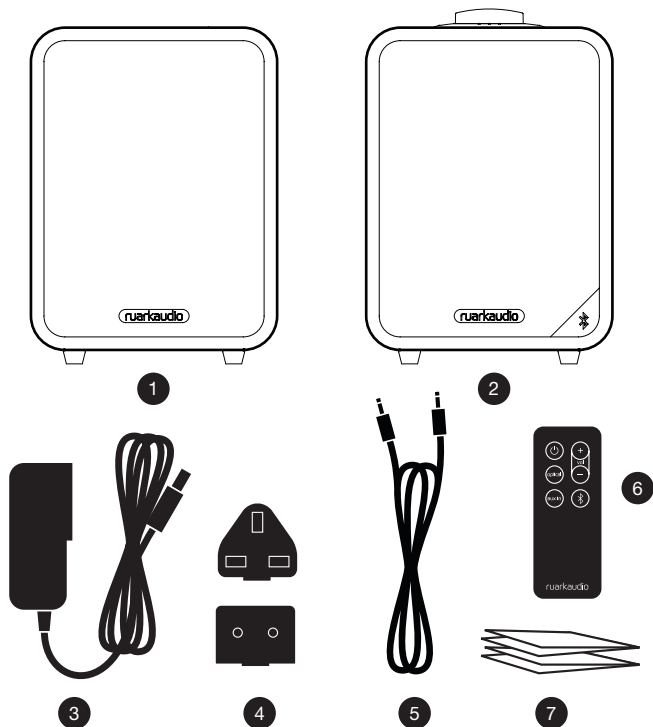
Contenu

Veillez vous assurer que le colis reçu contienne bien la totalité des pièces mentionnées ci-dessous. S'il manque des pièces, n'utilisez pas les haut-parleurs et contactez-nous directement si vous avez effectué votre achat au Royaume-Uni ou contactez le revendeur Ruark Audio si vous avez effectué l'achat en dehors du Royaume-Uni.

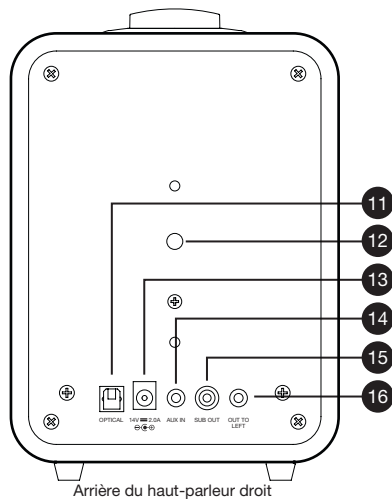
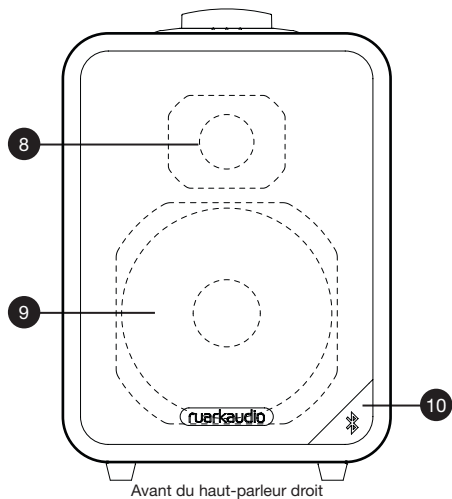
1. Haut-parleur gauche
2. Haut-parleur droit
3. Adaptateur secteur
4. Prise (s) pour adaptateur de courant secteur*
5. Câble de branchement des haut-parleurs
6. Télécommande
7. Guide de l'utilisateur et autres documents

Veillez conserver tous les matériaux d'emballage.

* Le nombre et le type de prises varient selon les régions.



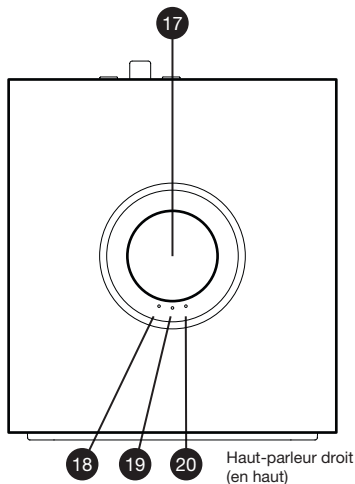
Aperçu



- 8. Haut-parleur hautes fréquences (tweeter), à dôme et en soie
- 9. Haut-parleur basses fréquences (woofer) à aimant néodyme
- 10. Capteur de télécommande
- 11. Prise « optique » (Toslink)

- 12. Montage mural (filetage 1 / 4-20 UNC)
- 13. Prise d'alimentation CC
- 14. Prise aux. (prise stéréo 3,5 mm)
- 15. Prise pour haut-parleurs à fréquences très basses (phono)
- 16. Prise pour haut-parleur gauche (prise 3,5 mm mono)

Commandes

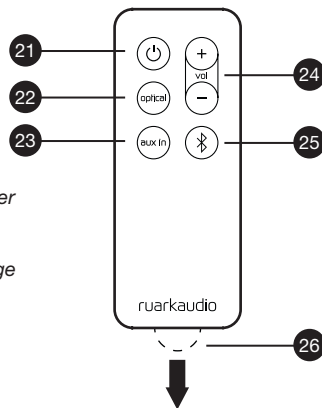


- 17. Bouton de commande
- 18. Indicateur LED de prise optique (vert)
- 19. Indicateur LED de prise Bluetooth (bleu)
- 20. Indicateur LED de prise aux. (ambre)

Télécommande

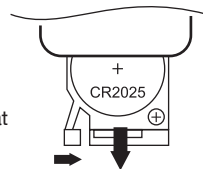
- 21. Mode veille
- 22. Optique
- 23. Aux in
- 24. Volume
- 25. Bluetooth
- 26. Languette de la pile

REMARQUE : avant d'utiliser la télécommande pour la première fois, retirez la languette en plastique orange (26) pour activer la pile.



Charger la pile

1. Poussez et maintenez le loquet sur le côté et faites glisser le compartiment de la pile.
2. Télécommande dirigée vers le sol, remplacez la pile par une nouvelle CR2025, en veillant à ce que le côté plat marqué d'un + soit dirigé vers le haut.
3. Remettez le compartiment de la pile en place.



Installation

1 Position des haut-parleurs

Pour une reproduction stéréo idéale, les haut-parleurs droit et gauche ne doivent pas être séparés de plus de 60 cm, le haut-parleur avec le contrôle du volume étant à droite. Évitez de placer des objets devant les haut-parleurs et vérifiez que le dessous des haut-parleurs n'est pas obstrué.

2 Connexion des haut-parleurs

Connectez les deux haut-parleurs à l'aide du câble d'interconnexion. Insérez l'une des extrémités dans la sortie du haut-parleur droit et l'autre extrémité dans la prise d'entrée du haut-parleur gauche.

3 Branchement électrique

Montez la bonne prise, correspondant à votre région, sur l'adaptateur secteur qui s'emboîtera. Branchez l'adaptateur secteur sur la prise d'alimentation CC à l'arrière de votre MR1, puis connectez-le à la prise murale et, au besoin, l'allumer.

4 Allumer les haut-parleurs

Appuyez sur le bouton de commande, ou sur le bouton de veille sur la télécommande. Lorsque vous les allumez pour la première fois, vos MR1 seront en mode Bluetooth et passeront automatiquement en mode de jumelage (la LED bleue clignote).

5 Changer de source

Appuyez sur le bouton de commande pour passer de Bluetooth, à prise auxiliaire et optique.

6 Réglage du volume

Tournez le bouton de contrôle du volume dans le sens des aiguilles d'une montre pour augmenter le volume et dans le sens inverse des aiguilles d'une montre pour le baisser. Vous pouvez aussi utiliser les boutons de volume de la télécommande. Lorsque vous atteignez le volume maximal ou minimal, le voyant LED de source s'éteint momentanément.

7 Mode veille

Appuyez et maintenez enfoncé le bouton de commande de 1 à 2 secondes jusqu'à ce que la LED de source s'éteigne, ou appuyez sur le bouton de veille se trouvant sur la télécommande.

Aux in

- 1 Brancher votre appareil audio analogique**
Mettez un fil à prise standard de 3,5 mm stéréo (vendu séparément) dans la prise AUX IN à l'arrière de l'enceinte droite, et l'autre extrémité dans l'appareil que vous souhaitez utiliser (Lecteur CD, ordinateur portable, TV, etc.)
- 2 Sélectionner la prise Aux**
Appuyez plusieurs fois sur le bouton de commande jusqu'à ce que la LED ambre Aux in s'allume, ou appuyez sur le bouton AUX de la télécommande.
- 3 Commencer à écouter de la musique avec l'appareil**

Optique

- 1 Brancher votre appareil audio optique**
Mettez un fil standard optique Toslink (vendu séparément) dans la prise OPTICAL à l'arrière de l'enceinte droite, et l'autre extrémité dans l'appareil que vous souhaitez utiliser (console de jeux, TV, etc.)
- 2 Sélectionner la prise Optique**
Appuyez plusieurs fois sur le bouton de commande jusqu'à ce que la LED verte de prise Optical s'allume, ou appuyez sur le bouton OPTICAL de la télécommande.
- 3 Commencer à écouter de la musique avec votre appareil**

Bluetooth

Pour chercher des chansons ou autre sur un périphérique audio Bluetooth, vous devez d'abord le jumeler avec vos haut-parleurs MR1.

Jumelez et branchez votre appareil

1 Sélection du mode Bluetooth sur vos MR1

Appuyez plusieurs fois sur le bouton de commande jusqu'à ce que la LED Bluetooth bleue allume ; elle commencera à clignoter indiquant que vos MR1 sont en attente de jumelage avec un périphérique audio Bluetooth.

2 Jumelage de votre appareil Bluetooth

Accédez aux paramètres de votre appareil audio, allumez Bluetooth et sélectionnez « Ruark MR1 » dans la liste des appareils (il faudra peut-être quelques secondes pour qu'ils apparaissent). Une fois que vos MR1 sont jumelés et connectés, la LED (9) devient bleue.

3 Commencer à écouter de la musique et autre sur votre appareil Bluetooth

Vous devrez peut-être sélectionner « Ruark MR1 » ou Bluetooth en tant que lecteur pour la musique.

Connexion automatique

Vos MR1 tenteront de se connecter automatiquement à l'appareil Bluetooth le plus récemment jumelé.

Portée de service

Normalement, vos haut-parleurs MR1 peuvent fonctionner à 10 mètres (30 ft) de votre appareil Bluetooth, néanmoins, des obstacles, notamment des murs, peuvent réduire cette portée.

Débrancher un appareil

Appuyez sur le bouton de commande, ou sur le bouton Bluetooth se trouvant sur la télécommande. Vous débrancherez ainsi l'appareil actuellement connecté, la LED bleue clignote et vos MR1 seront prêt à être jumelés ou à être branchés de nouveau.

Jumelage d'autres appareils à vos MR1

Vous pouvez jumeler jusqu'à 8 appareils. Toutefois, vous ne pouvez écouter de la musique qu'à partir d'un seul appareil à la fois.

Effacement de la liste d'appareils jumelés

Appuyez et maintenez enfoncé le bouton de commande pendant 5 secondes, jusqu'à ce que toutes les 3 LED s'allument. Vous devrez peut-être également « déjumeler » ou supprimer « Ruark MR1 » dans la liste des appareils de votre appareil Bluetooth.

Contrôle du volume

Les touches de volume de votre appareil audio Bluetooth

et de vos MR1 resteront indépendantes les unes des autres - Nous recommandons de mettre le volume presque au maximum sur votre appareil audio, et de régler le volume du MR1.

Autres fonctions

Réglage du niveau du volume entrant

Si, lorsque vous écoutez côté Aux ou Optique, le volume est nettement plus faible que lors de l'écoute d'autres sources, il vous faudra alors peut-être augmenter le volume côté entrant. Si le volume est plus élevé et distorsionné, vous devez le baisser.

Pour régler le niveau entrant, sélectionnez la source que vous souhaitez régler, puis appuyez et maintenez le bouton de la source correspondant sur la télécommande, jusqu'à ce que les 3 LED clignotent. Utilisez les boutons de volume de la télécommande ou le bouton de volume pour modifier le niveau (1 LED = faible, 3 LED = élevé), puis appuyez sur le bouton pour confirmer votre choix et les 3 LED clignoteront.

Mise en veille automatique

Pour économiser l'énergie, vos haut-parleurs MR1 passeront automatiquement en mode veille au bout de 20 minutes, sans signal audio. Bluetooth reste allumé et vos MR1 se rallument automatiquement dès que vous reprenez la lecture audio. En mode de répétition, la LED de la source clignotera lentement.

Désactivation de la veille automatique

Pour désactiver le mode snooze, allumez votre MR1, puis maintenez enfoncé le bouton de veille de la télécommande pendant 5 secondes jusqu'à ce que toutes les LED clignotent deux fois. Pour le réactiver, appuyez sur le bouton de veille pendant 5 secondes jusqu'à ce que toutes les LED clignotent une fois.

Montage mural

Vos haut-parleurs MR1 peut être fixés au mur à l'aide de la pièce filetée intégrée 1 / 4-20 UNC à l'arrière. Pour de plus amples informations, contactez votre revendeur ou visitez www.ruarkaudio.com

Lot de piles compatible Back Pack

Vos MR1 sont compatibles avec le lot de piles Ruark Audio BackPack afin que vous puissiez les utiliser même là où il n'y a pas d'alimentation.

Si votre lot de piles BackPack peut être éteint, nous vous recommandons de le faire lorsque vous n'utilisez pas vos MR1, car même en mode veille ils épuiseront lentement les piles.

Pour de plus amples informations et de conseils sur l'utilisation de vos MR1, visitez www.ruarkaudio.com

Informations sur la sécurité et la réglementation

- Lire ce guide de l'utilisateur et suivre toutes les consignes car elles vous aideront à préparer et à utiliser correctement votre produit.
- Tenir compte de tous les avertissements et conserver ce guide de l'utilisateur, afin de pouvoir vous y référer ultérieurement.
- Si l'appareil est endommagé, ne l'utilisez pas car vous pourriez provoquer une électrocution.
- N'ouvrez pas l'appareil et ne déposez pas les panneaux pour exposer les composants électroniques. Ces composants ne peuvent pas faire l'objet d'un entretien.
- Contacter le personnel de révision qualité en cas de besoins dans ce sens. Une réparation est nécessaire lorsque l'appareil a été endommagé de quelque façon que ce soit, notamment un cordon d'alimentation ou une prise endommagé, du liquide renversé ou des objets tombés dans l'appareil, ce dernier ayant été exposé à la pluie ou à l'humidité, ne fonctionnant pas normalement ou ayant été laissé tombé.
- SEULES les tensions CA indiquées sur le panneau arrière ou l'alimentation incluse, peuvent être utilisées pour faire fonctionner l'appareil. Utiliser l'appareil à des tensions autres que celles indiquées, pourrait entraîner des dégâts irréversibles de l'appareil et annuler sa garantie.
- N'utilisez que l'alimentation fournie avec l'appareil ou toute autre solution approuvée.
- S'assurer que l'adaptateur d'alimentation, la prise secteur murale ou la prise d'alimentation sur l'appareil sont facilement accessibles, afin de permettre le débranchement de l'appareil en cas de besoin.
- L'adaptateur secteur ou la prise ou la fiche doit être retiré de la prise pour débrancher complètement le système de l'alimentation secteur.
- Ne mettre toute source de flamme nue, notamment des bougies allumées, sur ou à proximité de l'appareil. Ne pas installer près de sources de chaleur, notamment de radiateurs, de poêles, ou autre appareils (notamment les amplificateurs) dégageant de la chaleur.
- Éviter toute exposition à un froid ou une chaleur extrême.
- N'utiliser que les accessoires indiqués pour cet appareil.
- N'apporter aucune modification au système ou aux accessoires. Toute altération interdite peut compromettre toute conformité en matière de sécurité, en matière de réglementation ainsi que les performances du système.
- Afin d'éliminer les risques d'incendie ou d'électrocution, ne pas exposer l'appareil à la pluie ou à l'humidité. Ne pas exposer cet appareil à des égouttements d'eau ou à des éclaboussements, et ne pas mettre d'objets remplis d'un liquide quelconque, notamment des vases, sur ou à proximité de l'appareil. Comme dans le cas de tout produit électroniques, faire attention de ne pas renverser de liquide sur une pièce du système. Les liquides peuvent provoquer des dysfonctionnements, et / ou entraîner des risques d'incendie.
- Débrancher cet appareil en cas d'orage ou lorsqu'il est inutilisé pendant de longues périodes, afin d'éviter de l'endommager.
- Afin d'éviter tout risque d'incendie ou d'électrocution, éviter de surcharger les prises murales, les rallonges ou les prises multiples.
- Toute exposition à long terme à une musique à fort volume sonore, peut causer des dommages auditifs. Il est préférable d'éviter tout volume extrême lorsque vous utilisez un casque, en particulier pendant de longues périodes.
- Ne pas installer cet appareil dans un espace confiné. Toujours laisser un espace d'au moins 10 cm autour de l'appareil, à titre de ventilation, et s'assurer qu'aucun rideau ou autre objet ne recouvre jamais les orifices de ventilation de l'appareil.
- Les piles de la télécommande ne doivent pas être exposées à une chaleur excessive, notamment au soleil ou au feu, et il faut se débarrasser des piles usagées de façon responsable.



AVIS CONCERNANT LA SÉCURITÉ ET LES PETITES PILES PLATES ET RONDES AU LITHIUM. La télécommande contient une pile au lithium qui, en cas d'ingestion, peut causer des brûlures chimiques. Conserver les piles neuves et usagées hors de portée des petits enfants. Si vous pensez que des piles peuvent avoir été ingérées, consultez immédiatement un médecin. Ne pas manipuler de piles endommagées ou fuyant. Danger d'explosion si la pile est remplacée de façon incorrecte. Ne remplacer que par le même type ou tout type équivalent.



Cet appareil est étiqueté conformément à la Directive européenne 2012/19/EU concernant le matériel électroniques et déchets du domaine électrique. Ce symbole indique que ni produit ni les piles ne doivent être jetés avec les déchets ménagers. Comme pour tous les équipements électriques, mettez ce produit au rebut conformément aux réglementations locales.



INFORMATIONS SUR LA CONFORMITÉ À LA CE

Ce produit est conforme à toutes les conditions requises par la directive de l'UE et en fonction de la loi en vigueur. Vous pouvez obtenir un duplicata de la Déclaration de conformité en contactant votre revendeur, distributeur ou Ruark Audio.

Ruark Audio déclare par la présente que cet appareil est conforme aux obligations essentielles et aux autres dispositions afférentes de la Directive 2014/53 / UE européenne sur les équipements radioélectriques.

Vous pouvez télécharger l'intégralité de la déclaration de conformité à la CE sur le lien www.ruarkaudio.com/doc/MR1mk2doc.pdf

Spécifications

Haut-parleurs MR1 mk2

- Haut-parleurs basses fréquences (woofer) 75 mm en néodyme, Ruark
- Haut-parleurs hautes fréquences à dôme en soie, 20 mm, Ruark
- Amplificateur linéaire 20 W
- Composants de filtrage de qualité audio
- Bluetooth : A2DP, aptX
- Consommation énergétique : 10 - 12 W couramment, 28 W max, 0,5 W arrêt
- Prise 3,5 mm, auxiliaire analogique
- Prise numérique optique Toslink
- Prise pour haut-parleurs à très basses fréquences (phono)
- Batterie portable compatible
- Dimensions : 175 x 130 x 140 mm
- Poids : 1,3 kg (D) 1,1 kg (G)

Alimentation électrique

- Puissance en entrée 100 à 240 V CA 50 - 60 Hz 1 A max
- Puissance en sortie 14 VCC 2,0A

Spécifications et concept sujets à toute modification sans préavis



Garantie

Enregistrez votre produit pour obtenir une garantie prolongée de trois ans.

Par défaut, ce produit est garanti exempt de défauts pendant une période de deux ans à compter de la date d'achat, mais cela est prolongé à trois ans si vous enregistrez votre produit sur **www.ruarkaudio.com**.

Cette garantie reste valable à condition que ce produit ait été traité avec soin et attention. Une défaillance du produit due à des dommages accidentels, une usure excessive, une négligence ou une modification non autorisée annulera cette garantie.

Pour les produits achetés hors du Royaume-Uni, le distributeur du pays d'achat garantit le produit. Pour plus de détails, veuillez contacter le distributeur ou point de vente Ruark local.

Si vous retournez ce produit, veuillez vous assurer qu'il est emballé dans son emballage d'origine et qu'une preuve d'achat est incluse.

Cette garantie ne modifie ni ne supprime en aucun cas les droits statutaires de l'acheteur. Sauf erreur ou omission.

Consignes générales d'entretien

- Nettoyez l'appareil avec un chiffon non pelucheux ou un chiffon légèrement humide. Ne pulvérisiez pas de dépolissant à la cire ou d'autres substances sur l'appareil au risque d'en affecter le fini ou les performances.

- N'exposez pas l'appareil aux rayons directs du soleil ou à des niveaux d'humidité, de poussière, de vibration ou de température extrêmes. Cela risquerait d'affecter le fini, les performances et la fiabilité de l'appareil.
- La plage conseillée de températures de service est de 5 à 40° C.
- Les caissons en bois naturel verront leur apparence changer, s'éclaircir ou s'assombrir avec l'âge, en particulier s'ils sont exposés au soleil.

Droits d'auteur et marques commerciales

© Ruark Audio. Tout droit réservé Ruark Audio, le logo Ruark Audio et les autres marques Ruark Audio sont la propriété de Ruark Audio et peuvent être déposées. Toutes les autres marques commerciales sont la propriété de leur propriétaire respectif. Ruark Audio n'est pas responsable des erreurs qui pourraient figurer dans ce manuel. Les informations contenues dans ce manuel sont susceptibles d'être modifiées sans préavis. Bluetooth® et les logos associés sont des marques déposées, propriété de Bluetooth SIG, Inc. Qualcomm aptX est un produit de Qualcomm Technologies International Ltd. Toutes les autres marques commerciales sont la propriété de leur propriétaire respectif.

MR₁

Altoparlanti Bluetooth®
MR1 mk2

User guide	EN
Brugervejledning	DA
Bedienungsanleitung	DE
Guía del usuario	ES
Guide de l'utilisateur	FR
Manuale dell'utente	IT
ユーザーガイド	JA
사용자 안내서	KO
Gebruikershandleiding	NL
Brukerveiledning	NO

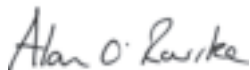
ruarkaudio

Grazie per avere scelto i nostri altoparlanti Bluetooth attivi MR1 mk2.

Ruark Audio è nata come azienda specializzata in sistemi di altoparlanti ad alta fedeltà e questa passione per la qualità del suono è al centro di tutti i nostri prodotti. Gli originali MR1 hanno avuto il plauso di stampa e pubblico, per il suono intenso e l'aspetto gradevole, e l'edizione mark 2 garantisce che questa fantastici piccoli altoparlanti siano all'altezza dei predecessori. Hanno aspetto e suono migliori in assoluto, sono ancora più semplici da usare e vantano ora anche un ingresso Optical.

E' consigliabile dedicare del tempo alla lettura di questo manuale dell'utente perché vi aiuterà a impostarli e utilizzarli al meglio. Se impiegati con la dovuta attenzione, gli MR1 vi daranno anni di piacevole ascolto.

Adoriamo i nostri MR1 e speriamo sia lo stesso per i clienti!



Alan O'Rourke
Fondatore ed Amministratore delegato

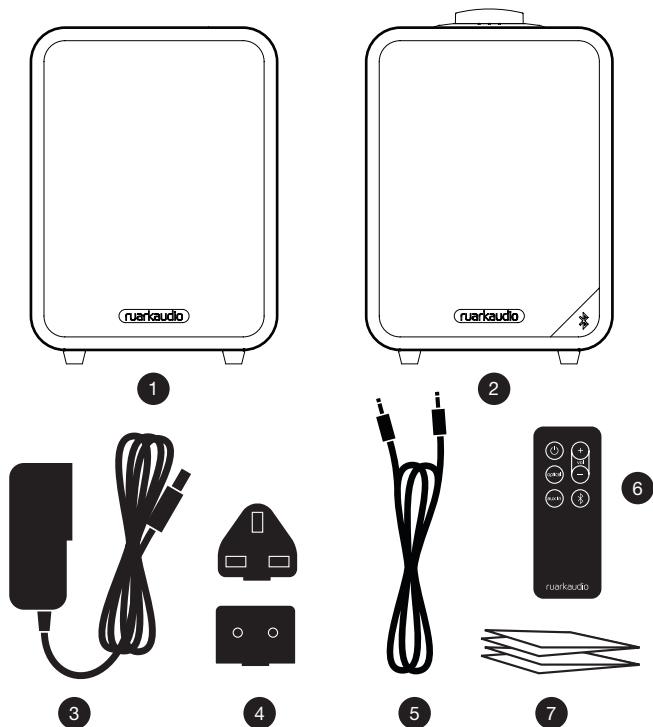
Contenuto

Accertarsi che la confezione contenga tutti i componenti sotto elencati. In caso di componenti mancanti non utilizzate gli altoparlanti ma contattare direttamente noi se il prodotto è stato acquistato nel Regno Unito oppure il rivenditore Ruark Audio di zona se il prodotto è stato acquistato al di fuori del Regno Unito.

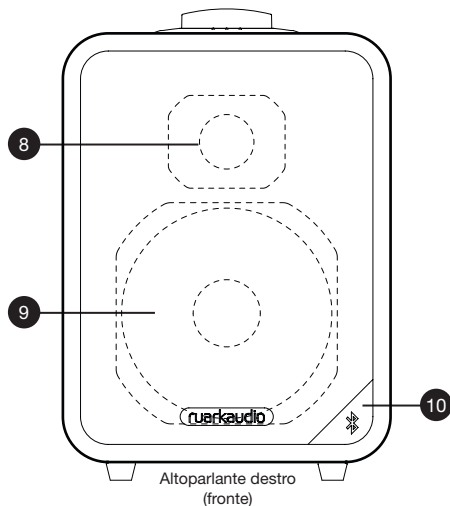
1. Altoparlante sinistro
2. Altoparlante destro
3. Adattatore di rete
4. Spina/e per adattatore di rete*
5. Cavo di interconnessione altoparlante
6. Telecomando
7. Manuale dell'utente e altri documenti

Conservare interamente il materiale di imballaggio.

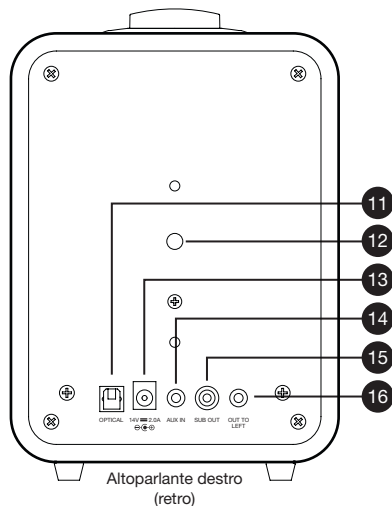
* Il numero e il tipo di adattatori in dotazione variano a seconda della regione.



Sommario

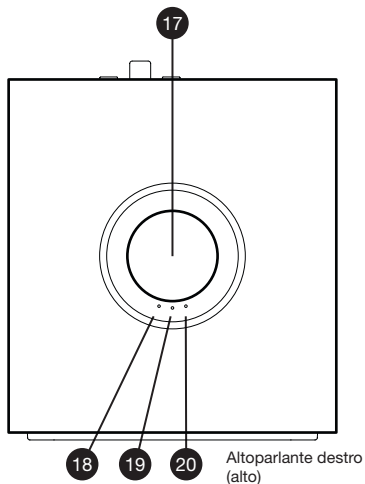


- 8. Tweeter a cupola in seta
- 9. Woofer in neodimio
- 10. Sensore remoto
- 11. Ingresso Optical (Toslink)
- 12. Montaggio a parete (filettatura UNC 1/4-20)



- 13. Presa di alimentazione DC
- 14. Ingresso aux (jack stereo da 3,5mm)
- 15. Uscita sub-woofer (fono)
- 16. Uscita ad altoparlante sinistro (jack mono da 3,5mm)

Comandi

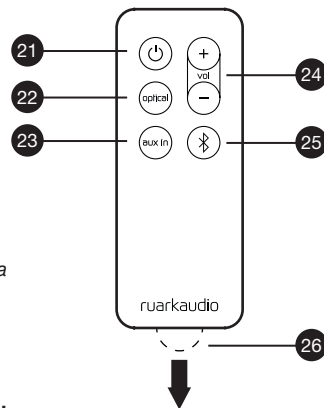


- 17. Manopola di controllo
- 18. LED indicatore ingresso Optical (verde)
- 19. LED indicatore ingresso Bluetooth (blu)
- 20. LED indicatore ingresso Aux (giallo)

Telecomando

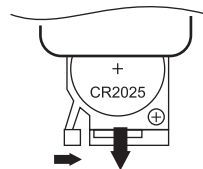
- 21. Standby
- 22. Optical
- 23. Aux in
- 24. Volume
- 25. Bluetooth
- 26. Linguetta batteria

NOTA: prima di utilizzare il telecomando per la prima volta, rimuovere la linguetta in plastica (26) per attivare la batteria.



Sostituzione della batteria

1. Spingere lateralmente il blocco con il dito e fare scorrere per estrarre il vano batteria.
2. Con il telecomando rivolto verso il basso, sostituire la batteria con una nuova CR2025, accertandosi che il lato piatto contrassegnato con + sia rivolto verso l'alto.
3. Spingere e riposizionare il vano batteria.



Impostazione

1 Posizionamento altoparlanti

Per una riproduzione stereo ottimale, posizionare l'altoparlante destro e sinistro ad almeno 60cm di distanza, ponendo l'altoparlante con controllo volume a destra. Non posizionare oggetti davanti agli altoparlanti e verificare inoltre che non vi siano ostruzioni nel lato inferiore di ciascuno.

2 Collegamenti degli altoparlanti tra loro

Collegare i due altoparlanti con il cavo di interconnessione, inserendo un'estremità nell'uscita dell'altoparlante destro e l'altra estremità nell'entrata dell'altoparlante sinistro.

3 Collegamento all'alimentazione di rete

Inserire la spina prevista nella propria area di residenza nell'adattatore di rete fino a udire lo scatto di posizionamento.

Collegare l'adattatore di rete alla presa di alimentazione DC dietro MR1, quindi collegare alla presa a muro e accendere, se possibile.

4 Accensione degli altoparlanti

Premere la manopola di controllo o il pulsante di standby sul telecomando. Alla prima accensione, gli MR1 sono preimpostati in modalità Bluetooth ed entrano automaticamente in modalità di accoppiamento (il LED blu lampeggia).

5 Modifica della sorgente

Premere la manopola di controllo per passare da Bluetooth, Aux In e Optical.

6 Regolazione del volume

Ruotare la manopola di controllo del volume in senso orario per aumentare il volume e in senso antiorario per abbassarlo oppure utilizzare i relativi pulsanti sul telecomando. Quando si raggiunge il volume massimo o minimo, il LED dell'indicatore di sorgente si spegne temporaneamente.

7 Standby

Premere e tenere premuta la manopola di controllo per 1-2s fino allo spegnimento del LED di sorgente oppure premere il pulsante di standby sul telecomando.

Ingresso aux

- 1 Collegare il dispositivo audio analogico**
Inserire un cavo standard del jack stereo da 3,5 mm (venduto separatamente) nella presa AUX IN sul retro dell'altoparlante destro e l'altra estremità nel dispositivo che si desidera azionare (lettore CD, laptop, TV ecc.)
- 2 Selezione dell'ingresso aux**
Premere ripetutamente la manopola di controllo fino all'accensione del LED giallo Aux o premere il pulsante Aux in sul telecomando.
- 3 Avviamento della riproduzione audio sul dispositivo**

Ottico

- 1 Collegamento del dispositivo audio analogico**
Inserire un cavo ottico standard Toslink (venduto separatamente) nella presa OPTICAL sul retro dell'altoparlante destro e l'altra estremità nel dispositivo che si desidera azionare (console videogiochi, TV ecc.)
- 2 Selezione dell'ingresso Optical**
Premere ripetutamente la manopola di controllo fino all'accensione del LED verde Optical o premere il pulsante Optical sul telecomando.
- 3 Avviamento della riproduzione audio sul dispositivo**

Bluetooth

Per diffondere l'audio da un dispositivo audio Bluetooth è necessario innanzitutto accoppiarlo agli altoparlanti MR1.

Accoppiare e collegare il dispositivo

1 Selezione della modalità Bluetooth sugli MR1

Premere ripetutamente la manopola di controllo fino all'accensione del LED blu Bluetooth, che inizierà a lampeggiare indicando che gli MR1 sono in attesa di essere accoppiati con il dispositivo audio Bluetooth.

2 Accoppiamento del dispositivo audio Bluetooth

Passare alle impostazioni del dispositivo audio, accendere il Bluetooth e selezionare "Ruark MR1" dall'elenco dispositivi (la visualizzazione può richiedere qualche secondo). Dopo l'accoppiamento e la connessione degli MR1, il LED blu sarà fisso.

3 Avviamento della riproduzione musicale sul dispositivo Bluetooth

Può essere necessario selezionare "Ruark MR1" o Bluetooth come dispositivo di riproduzione.

Connessione automatica

Gli MR1 tenteranno automaticamente di collegarsi all'ultimo dispositivo Bluetooth collegato.

Range operativo

Gli MR1 funzionano generalmente fino a 10 metri dal dispositivo audio Bluetooth, sebbene eventuali ostruzioni, come le pareti, possano ridurre tale distanza.

Scollegamento del dispositivo

Premere la manopola di controllo o il pulsante Bluetooth sul telecomando, per scollegare il dispositivo corrente; il LED blu lampeggerà e gli MR1 saranno pronti per essere riaccoppiati o ricollegati.

Accoppiamento di dispositivi aggiuntivi agli MR1

È possibile accoppiare fino a 8 dispositivi sebbene si possa riprodurre l'audio da un solo dispositivo alla volta.

Cancellazione dell'elenco di accoppiamento

Premere e tenere premuta la manopola di controllo per 5s fino all'accensione dei 3 LED. Può essere necessario riaccoppiare o cancellare la voce "Ruark MR1" dall'elenco di accoppiamento Bluetooth del dispositivo.

Controllo del volume

Il controllo del volume sul dispositivo audio Bluetooth resterà indipendente da quello sugli MR1; si raccomanda di regolare il volume quasi al massimo sul dispositivo audio e controllare il volume in uscita sugli MR1.

Altre funzioni

Regolazione del livello di ingresso Aux e Optical

Se, ascoltando l'ingresso Aux od Optical, il volume risulta nettamente inferiore rispetto all'ascolto di altre sorgenti, può essere necessario aumentare il livello in entrata.

Se il volume è più alto e risulta distorto, ridurre il livello in entrata.

Per regolare il livello in entrata, selezionare l'alimentazione da regolare, quindi premere e tenere premuto il pulsante corrispondente sul telecomando finché i 3 LED non lampeggiano. Utilizzare i pulsanti del volume sul telecomando o la manopola del volume per modificare il livello (1 LED = basso, 3 LED = alto) e premere la manopola per confermare la selezione; i 3 LED lampeggeranno.

Modalità snooze

Per risparmiare energia, gli altoparlanti MR1 passano automaticamente in modalità snooze (interruzione) dopo 20 minuti senza segnale audio. Bluetooth resta attivo e gli MR1 si riattivano automaticamente al ripristino della riproduzione audio. In modalità snooze, il LED della sorgente lampeggia.

Disattivazione modalità snooze

Per disattivare la modalità snooze, accendere il MR1, e quindi tenere premuto il tasto standby sul telecomando per 5 secondi fino a che tutti i LED lampeggiano due volte. Per riattivarlo, premere il pulsante di standby per 5 secondi finché tutti i LED lampeggiano una volta.

Montaggio a muro

Si possono montare gli MR1 a muro utilizzando l'inserito filettato integrato 1/4-20 UNC sul retro.

Per maggiori informazioni, contattare il rivenditore o visitare il sito www.ruarkaudio.com

Pacco batterie Backpack compatibile

Gli MR1 sono pienamente compatibili con il pacco batterie Ruark Audio Backpack da utilizzare quando l'alimentazione di rete non è disponibile.

Se il pacco batterie Backpack è disattivabile, si raccomanda di spegnerlo quando non si utilizzano gli MR1, poiché anche in standby consumano lentamente le batterie.

Per consigli e suggerimenti utili sugli MR1, visitare il sito www.ruarkaudio.com.

Sicurezza e informazioni normative

- Leggere la presente guida utente e seguire le istruzioni, in quanto utili a impostare e azionare correttamente il prodotto.
- Prestare attenzione alle avvertenze e conservare la presente guida a scopo di riferimento futuro.
- Non tentare di utilizzare un dispositivo danneggiato che potrebbe causare una pericolosa scossa elettrica.
- Non aprire l'unità né rimuovere i pannelli esponendo così i componenti elettronici. All'interno non ci sono componenti soggetti a manutenzione.
- Riferire tutti gli interventi al personale qualificato addetto alla manutenzione. In caso di danno di qualsiasi tipo al dispositivo, come danneggiamento del cavo di alimentazione o della spina, fuoriuscita di liquido o caduta di oggetti nel dispositivo, esposizione del dispositivo a pioggia o umidità, funzionamento anomalo o caduta del dispositivo, è necessario ricorrere all'assistenza.
- Il dispositivo è previsto UNICAMENTE per l'azionamento con le tensioni AC elencate sul pannello posteriore o con l'alimentazione prevista. Il funzionamento a tensioni diverse da quelle specificate può causare danni irreparabili al dispositivo e rendere nulla la garanzia del prodotto.
- Utilizzare unicamente l'alimentazione fornita con il dispositivo o un'alternativa consentita.
- Accertarsi che l'adattatore di alimentazione, la spina o il connettore di rete del dispositivo siano facilmente accessibili nel caso in cui sia necessario staccare il dispositivo dall'alimentazione di rete.
- Per scollegare completamente il sistema dall'alimentazione di rete è necessario togliere l'adattatore, la spina o il connettore di rete dalla presa.
- Non posizionare fiamme libere, come candele accese, sopra o vicino al dispositivo. Non installare vicino a fonti di calore come radiatori, stufe o altri dispositivi (compresi gli amplificatori) che generino calore.
- Evitare l'esposizione a calore o freddo estremo.
- Utilizzare soltanto attacchi/accessori specifici per il dispositivo. Non apportare modifiche al sistema o agli accessori. Le modifiche non autorizzate possono compromettere sicurezza, conformità normativa e performance del sistema.
- Non esporre il dispositivo a pioggia o umidità, per ridurre il rischio di incendio o scossa elettrica. Non esporre il dispositivo a gocciolamento o spruzzi e non posizionare oggetti pieni di liquidi, come i vasi, sopra o vicino al dispositivo. Come con qualsiasi prodotto elettronico, prestare attenzione a non versare liquidi in qualsiasi parte del sistema. I liquidi possono causare guasti e/o rischio di incendio.
- Per prevenire danni al dispositivo, staccarlo durante temporali con fulmini o se inutilizzato per periodi prolungati.
- Per evitare rischio di incendio o scossa elettrica, non sovraccaricare prese a muro, prolunghe o prese integrate.
- L'esposizione prolungata a musica a volume elevato può compromettere l'udito. E' preferibile evitare il volume eccessivo quando si utilizzano le cuffie, in particolare per periodi prolungati.
- Non installare il dispositivo in spazi chiusi. Lasciare sempre uno spazio di almeno 10cm attorno al dispositivo a scopo di ventilazione e accertare che tendaggi o altri oggetti non coprano le aperture di ventilazione sul dispositivo stesso.
- Non esporre le batterie del telecomando ad un calore eccessivo come quello del sole o di un fuoco e smaltire responsabilmente le batterie usate.



INFORMATIVA SULLA SICUREZZA DELLE CELLE A BOTTONE AL LITIO. Il telecomando contiene una batteria a cella a bottone al litio che, se ingerita, può causare ustioni chimiche. Tenere batterie nuove e usate lontano dalla portata dei bambini. Consultare immediatamente un medico qualora si sospetti l'ingestione di batterie. Non manipolare batterie danneggiate o con fuoriuscite. Pericolo di esplosione in caso di errato posizionamento della batteria. Sostituire unicamente con batteria uguale o dello stesso tipo.



Il dispositivo è etichettato in conformità alla Direttiva europea 2012/19/EU relativa ai rifiuti di apparecchiature elettriche ed elettroniche. Questo simbolo indica che il prodotto o le relative batterie non devono essere smaltiti come normale rifiuti domestici. Come qualsiasi altra apparecchiatura elettrica, dovranno essere smaltiti conformemente alle normative locali vigenti.



INFORMAZIONI SULLA CONFORMITÀ CE

Il prodotto è conforme a tutti i requisiti della Direttiva UE applicabile per legge. Per ottenere una copia gratuita della Dichiarazione di conformità, contattare il proprio rivenditore, distributore o Ruark Audio.

Con la presente Ruark Audio dichiara che il presente dispositivo è conforme ai requisiti essenziali e ad altre disposizioni pertinenti della Direttiva europea sulle apparecchiature radio 2014/53/EU.

È possibile scaricare la Dichiarazione di conformità CE completa sul sito www.ruarkaudio.com/doc/MR1mk2doc.pdf

Specifiche

Altoparlanti MR1 mk2

- Woofer Ruark al neodimio 75mm
- Tweeter Ruark a cupola in seta 20 mm
- Amplificatore lineare 20W
- Componenti crossover livello audio
- Bluetooth: A2DP, aptX
- Consumo energetico:
10-12W tipico, 28W max,
0,5W standby
- Entrata analogica aux jack 3,5 mm
- Entrata digitale ottica Toslink
- Uscita sub-woofer fono
- Batteria BackPack compatibile
- Dimensioni: 175 x 130 x 140mm
- Peso: 1,3kg (D) 1,1kg (S)

Alimentazione

- Alimentazione in entrata da 100 a 240VAC
50-60Hz 1,0A max
- Alimentazione in uscita 14 V CC 2.0A

Specifiche e design soggetti a modifiche senza preavviso



Garanzia

Registrare il prodotto per ottenere una garanzia estesa di tre anni.

Come standard, questo prodotto è garantito privo di difetti per un periodo di due anni dalla data di acquisto, ma questo è esteso a tre anni se si registra il prodotto su www.ruarkaudio.com.

Questa garanzia rimane valida a condizione che questo prodotto sia stato trattato con la dovuta cura e attenzione. Il guasto del prodotto a causa di danni accidentali, usura eccessiva, negligenza o modifica non autorizzata annullerà questa garanzia.

Per i prodotti acquistati al di fuori del Regno Unito, il distributore nel paese di acquisto garantisce il prodotto. Per i dettagli, contattare il distributore o il punto vendita Ruark di zona.

Se si restituisce questo prodotto, assicurarsi che sia imballato nella sua confezione originale e che sia inclusa una prova di acquisto.

Questa garanzia non varia in alcun modo o rimuove i diritti legali dell'acquirente.

Salvo errori ed omissioni.

Manutenzione generale

- Pulire il dispositivo con un panno morbido che non lasci pelucchi oppure con un panno leggermente umido. Non utilizzare cera spray o altre sostanze che potrebbero danneggiare la finitura superficiale o compromettere le prestazioni.
- Non esporre il dispositivo a luce solare diretta, elevata umidità, polvere, eccessive vibrazioni o temperature estreme onde evitare di comprometterne la finitura, le prestazioni e l'affidabilità.
- Il range della temperatura d'esercizio consigliata è compreso tra 5°C e 40°C.
- Le strutture con finitura in legno naturale possono cambiare e schiarirsi o scurirsi con il passare del tempo, specialmente se esposte alla luce del sole.

Copyright e marchi

© Ruark Audio. Tutti i diritti riservati. Ruark Audio, il logo Ruark Audio e altri marchi Ruark Audio sono di proprietà di Ruark Audio e potrebbero essere registrati. Tutti gli altri marchi sono proprietà dei rispettivi proprietari. Ruark Audio non si assume alcuna responsabilità per eventuali errori riscontrabili nel presente manuale e le informazioni ivi contenute potranno essere modificate senza preavviso. Bluetooth® e i loghi associati sono marchi registrati di proprietà di Bluetooth SIG, Inc. Qualcomm aptX è un prodotto di Qualcomm Technologies International Ltd. Tutti gli altri marchi sono proprietà dei rispettivi proprietari.

MR₁

アクティブBluetoothスピーカー
MR1 mk2

User guide	EN
Brugervejledning	DA
Bedienungsanleitung	DE
Guía del usuario	ES
Guide de l'utilisateur	FR
Manuale dell'utente	IT
ユーザーガイド	JA
사용자 안내서	KO
Gebruikershandleiding	NL
Brukerveiledning	NO

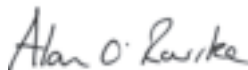
ruarkaudio

この度はMR1 mk2 アクティブ ブルートゥース スピーカーをお選び頂き、ありがとうございます。

ruarkaudioはハイファイスピーカーシステムのスペシャリストとしてブランドをスタートさせ、高音質へのゆるぎない情熱を、すべての製品に深く注ぎ込んでおります。オリジナルMR1の豊かなサウンドと綺麗なデザインは各種メディアと多くのお客様からたくさんの称賛をいただきました。そして、このMR1 mk2は今までの魅力に加え、さらに素晴らしい小型スピーカーとして生まれ変わりました。よりエレガントなデザインと高音質、さらなる使いやすさとともに、オプティカル(光デジタル)入力も追加されました。

最高の性能を発揮するために、是非このユーザーガイドをお読みください。

適切なお取り扱いにより、長きにわたりMR1で音楽鑑賞をお楽しみいただければと存じます。



Alan O'Rourke

Founder and Managing Director

同梱物

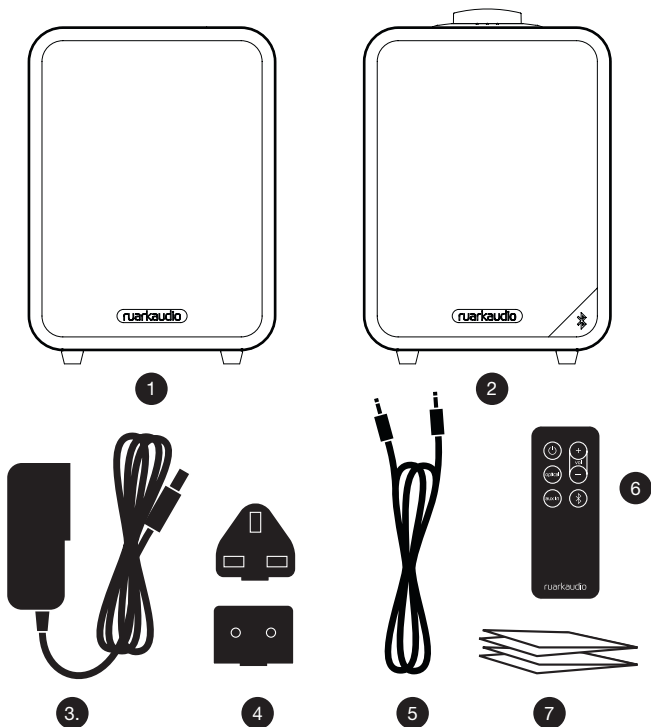
下記の付属品が全てあることをご確認ください。

付属品が無い場合には製品を使用せずに、お手をかけますが、お買い求めの販売店または株式会社Delfin Japanまでご連絡をください。

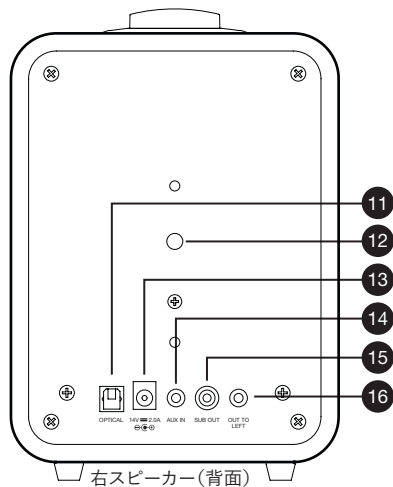
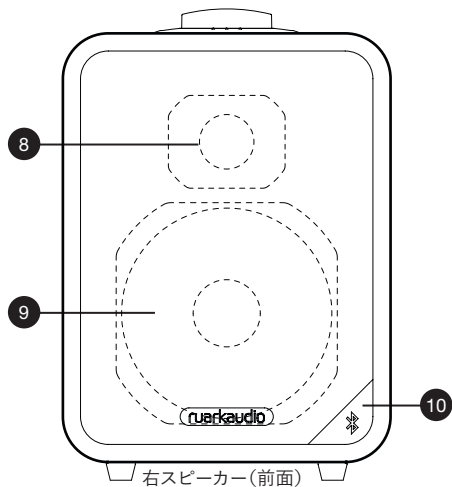
1. 左スピーカー
2. 右スピーカー
3. 電源アダプター
4. 電源アダプター(電源アダプター用)
5. スピーカーケーブル
6. リモコン
7. ユーザーガイドと書類

可能であれば、全ての梱包材を保管してください。

*付属されるコンセントアダプターの種類と数は販売地域によって違う事があります。



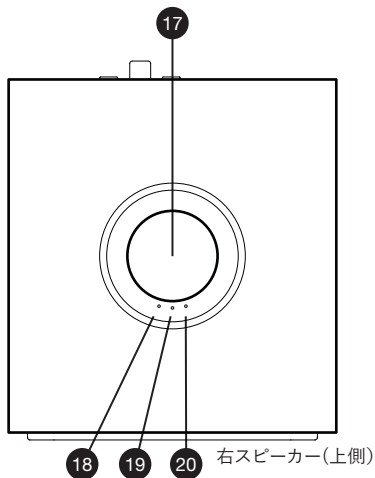
製品の概要



- 8. ツイーターユニット
- 9. ウーファーユニット
- 10. リモコン受光部
- 11. オプティカル入力 (光デジタル / TOSLINK)
- 12. 壁掛け金具用ネジ穴 (1/4-20 UNC ネジ専用)

- 13. 電源アダプター入力端子
- 14. AUX(外部)入力 (3.5mmステレオジャック)
- 15. サブウーファー出力 (フォノ端子)
- 16. 左スピーカー用出力 (3.5mm モノジャック)

操作部

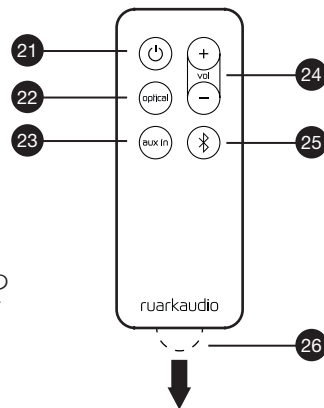


- 17. コントロールノブ
- 18. オプティカル入力LED (緑色)
- 19. Bluetooth (ブルートゥース)入力LED (青色)
- 20. AUX入力LED (黄色)

リモコン

- 21. 電源スタンバイ
- 22. オプティカル入力
- 23. AUX入力
- 24. ボリューム
- 25. Bluetooth
- 26. 絶縁シート

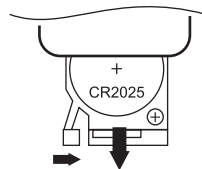
お知らせ:リモコンを初めて使用する際には、必ず透明の絶縁シート(26)を取り外してください。



JA

電池の交換

1. リモコン裏面下部にあるバッテリーケースの左側の溝を右側に押す
2. そのまま、バッテリーケースを下側に引き出し、CR2025型ボタン電池を+面が上になるように置く
3. バッテリーケースをもとの位置に戻す



設定

1. スピーカーを設置する

最良のステレオ音声を再現するために、左右スピーカーの間隔を少なくとも約60cm以上は離して設置してください。ボリュームノブが付いている右スピーカーをリスニングポジションから向かって右側に置いて下さい。スピーカーの前方には何も置かないでください。またスピーカーの底面と設置面との間にも障害物がないようにしてください。

2. スピーカーを接続する

付属のスピーカーケーブルの片方を右スピーカーのOUT TO LEFT端子(左スピーカー用出力)に、そしてもう片方端を左側のスピーカーにある入力端子に差し込み、左右のスピーカーを接続します。

3. 電源を接続する

電源アダプターを右スピーカー本体背面の電源アダプター入力端子とコンセントに接続します。

4. スピーカーの電源を入れる

右スピーカーの上側にあるコントロールノブ、またはリモコンのスタンバイボタンを押します。初めて

MR1の電源を入れたときにはBluetoothが選択され、自動的にBluetoothのペアリングモードになります。(青色のBluetooth入力LEDが点灯します)。

5. 入力ソースを変更する

コントロールノブを押してBluetooth、Aux入力、または光デジタル入力を選びます。

6. ボリュームを調整する

コントロールノブを時計方向に回すとボリュームが大きくなり、反時計方向に回すと小さくなります。またはリモコンのボリュームボタンで調整します。ボリュームが最大、または最小になるとLEDがしばらく消灯します。

7. スタンバイ状態にする

コントロールノブを1～2秒間押して、LEDを消灯します。またはリモコンの電源スタンバイボタンを押します。

AUX(外部)入力のソースを聴く

1. アナログオーディオ機器を接続する

市販の3.5mmステレオミニプラグケーブルでオーディオ機器(CDプレーヤー、パソコン、テレビなど)を接続します。右スピーカーの背面にあるAUX IN端子(外部入力)に接続します。

2. AUX入力を選ぶ

AUX入力LED(黄色)が点灯するまで、コントロールノブを何回か押します。またはリモコンのaux in ボタンを押します。

3. 接続している機器で音楽を再生する

オプティカル(光デジタル)入力のソースを聴く

1. 光デジタル出力機器を接続する

市販の光デジタルケーブル(TOSLINK)で光デジタルオーディオ機器(CDプレーヤー、ゲーム機器、テレビなど)を接続します。右スピーカーの背面にあるOPTICAL端子(オプティカル入力)に接続します。

2. オプティカル入力を選ぶ

オプティカル入力LED(緑色)が点灯するまで、コントロールノブを何回か押します。またはリモコンのopticalボタンを押します。

3. 接続している機器で音楽を再生する

Bluetooth接続で聴く

モバイル端末やデジタル音楽プレーヤーなどのBluetooth機器から音楽をストリーミング再生するには、まずその機器をMR1とペアリングします。

Bluetooth機器と接続する(ペアリング)

1. Bluetoothモードを選ぶ

Bluetooth入力LED (青色)が点灯するまで、コントロールノブを何回か押します。またはリモコンのBluetoothボタンを押します。ペアリングの待機状態になるとBluetooth入力LEDが青色で点滅します。

2. Bluetooth機器とペアリングをする

Bluetooth機器で接続操作をします。Bluetooth機器のリストが表示されたら“Ruark MR1”を選びます。(MR1がリストに表示されるまで数秒かかる場合があります) MR1とBluetooth機器がペアリングされて接続されると、Bluetooth入力LEDが青色で点灯します。

3. Bluetooth機器で音楽を再生する

接続されたBluetooth機器の音声の出力先として“Ruark MR1”やBluetoothを選ぶ場合もあります。

自動で接続

MR1は最後にペアリングしていたBluetooth機器と自動で接続します。

動作範囲

MR1は、接続するBluetooth機器から、一般的に最大10mの範囲内で動作しますが、壁などの障害物があると、その動作範囲が狭くなることがあります。Bluetooth機器の性能によっても動作範囲は狭くなることがあります。

Bluetooth機器との接続を切断する

コントロールノブを押します。または、リモコンのBluetoothボタンを押します。Bluetooth機器との接続が切断され、Bluetooth入力LEDが青色で点滅します。MR1は再びBluetooth機器とのペアリング待機状態になります。

追加のBluetooth機器をMR1とペアリングする

MR1は、最大8台のBluetooth機器をペアリングできますが、一度にストリーミング再生できるのは1台のBluetooth機器のみです。

ペアリングリストを削除する

コントロールノブを5秒間押し続けます。3つのLEDが同時に点灯し、全てのペアリング情報が削除されます。接続していたBluetooth機器のBluetoothペアリングリストから“Ruark MR1”を削除したり、ペアリングを解除することもあります。

音量を調整する

音量は、MR1とBluetooth機器のどちらでも調整できます。Bluetooth機器の音量を最大に設定してからMR1で音量を調整することをお勧めします。

その他の機能

AUX(外部)入力とオプティカル入力(光デジタル / TOSLINK)の入力レベル調整

AUX入力やオプティカル入力の音量が他のソースに比べて、聴感上のレベルが低く感じられる場合は、入力レベルを上げます。もし音量が高く歪むようであれば、入力レベルを下げます。

入力レベルを調整するには、最初に調整するソースを選択します。そして、選んだソースのリモコンボタン(aux inまたはoptical)を押し続けると、3個全てのLEDが点灯します。

リモコンのボリュームボタンを押すかコントロールノブを回すことで、入力レベルを調整します。(LEDが1個点灯:入力レベル低、3個点灯:入力レベル高)コントロールノブを押すと、設定を完了して、3個全てのLEDが一回点滅します。

自動スタンバイ

省エネのために、音楽再生の停止後に操作や入力が無い状態が20分以上続いた場合には、MR1は自動的にスタンバイモードになります。

スタンバイモードの時には、LEDが定期的にゆっくりと点滅します。ふたたび音楽を再生したり、コントロールノブやリモコンを操作すると、電源オンになります。

自動スタンバイをオフにする

自動スタンバイをオフにするには、MR1の電源を入れ、すべてのLEDが2回点滅するまでリモートのスタンバイボタンを5秒間押し続けます。

再度有効にするには、すべてのLEDが1回点滅するまでスタンバイボタンを5秒間押しします。

壁掛け金具

MR1は1/4-20UNC規格のネジ穴が背面にあり、それを使って市販の壁掛け金具を取り付けることができます。

BackPackバッテリーを使う

MR1はRuark BackPackバッテリーが使えます。www.ruarkaudio.comをご参照ください。

(Backpackバッテリーは2019年現在、日本では販売されておりません。)

バッテリーの消耗を最小限にするために、MR1を使用しない時には、BackPackバッテリーの電源をオフにすることをお勧めします。

MR1を使いこなすためのヒントなどの詳細はwww.ruarkaudio.comをご参照ください。

安全と規格関連の情報

- 本機の優れた性能を十分に発揮させるとともに、永年に渡り支障なくお使いいただくために、ご使用前にこのユーザーガイドをよくお読みください。お読みになったあとは、保証書とともに大切に保管し、必要に応じてご利用ください。
- 機器が故障している場合には使用しないでください。感電などの危険な事故になる可能性があります。
- この機器の分解や、この機器のパネルを外して内部の電子部品を取り出さないでください。お客様ご自身で交換可能な部品はありません。
- すべての修理サービスは株式会社Delfin Japanのカスタマーサービス担当に依頼してください。電源供給コードやプラグが損傷した場合や、液体や異物が機器の中に入った場合、機器が雨や湿気に触れた場合、正常に動作しない場合、機器が落とされた場合など、機器がどのようなケースで故障した場合でもカスタマーサービス担当によるメンテナンスが必要です。
- この機器は背面パネルもしくは電源アダプターに記されている電源規格のみで正常に動作するように設計されています。記されている規格以外の電源を接続すると修理が不可能な故障を引き起こす可能性があります。また製品の保証が無効になります。
- この機器に付属の電源供給装置や株式会社Delfin Japanにより承認された代替品だけを使用してください。
- 電源をいつでも容易に切ることができるように、電源アダプターや電源プラグ、電源コネクターは手の届く範囲で接続してください。
- 完全に電源を切るには、電源アダプター、電源プラグ、電源コネクターなどを電源端子から外してください。
- この機器の上や近辺に火のついているろうそくのような火炎物を置かないでください。暖房機やストーブなど、熱を発生する機器(アンプなども含む)を近くに設置しないでください。
- 極度の高温や低温の場所に置かないでください。
- この機器用に指定された付属品やアクセサリーのみを使用してください。またシステムやアクセサリーを改造しないでください。指定されていない機器は安全や規格、システム性能に影響与えます。
- 火災や感電の危険を減らすため、この機器を雨や湿気に触れさせないでください、この機器を液体がかかる場所に設置しないでください。この機器の上や近辺に花瓶などの液体が入っている物を置かないでください。他の全ての電気製品と同様に、この機器のどの部分にも液体が触れないようにしてください。液体は故障や火災の原因になります。
- 雷の時や長期間使用しないときは、この機器の故障を防ぐため電源プラグをコンセントから外してください。

- 火災や感電の危険を減らすため、電源コンセント、電源延長コード、電源コンセントに過度の負荷をかけないでください。
- 大音量による長時間の使用は聴覚障害を引き起こす可能性があります。特にヘッドホンや長時間使用する場合には、音量を下げてください。
- この機器を狭い場所に置かないでください。常に放熱が出来るようにこの機器の周囲に10cm以上のスペースを確保してください。カーテンや他の物体がこの機器の通気口を遮らないようにしてください。
- リモコンの電池を火や直射日光など過度の高温になる場所に置かないでください。また使い切った電池は自治体の条例または取り決めに従って廃棄してください。



リチウム電池に関する安全情報

警告:本機のリモコンには、飲み込むと窒息または化学熱傷を引き起こす可能性があるコイン型のリチウム電池を使用しています。新しい電池や使用済み電池は、お子様の手の届かない所に置いてください。万一、電池を飲み込んだ場合は、ただちに医師にご相談ください。破損した電池や液漏れした電池、または電池の液を素手でさわらないでください。けがややけどの原因になることがあります。指定以外の電池を使用すると、破損したり液が漏れたりして危険です。製品規格に指定されている電池や同等品を必ず使用してください。

主な仕様

MR1 mk2 スピーカー

- Ruark 75mm ネオジウム ウーファー
- Ruark 20mm シルクドーム ツイーター
- 20W リニアアンプ
- オーディオグレード クロスオーバーコンポーネント
- Bluetooth:A2DP、aptX
- 消費電力:
標準時: 10-12W (最大28W)
スタンバイ時: 0.5W
- 3.5mmジャック AUX入力端子
- オプティカル(光デジタル)入力端子 (TOSLINK)
- サブウーファー出力端子
- 寸法:175 x 130 x 135mm
- 質量: 1.3 kg (右スピーカー) 1.2 kg (左スピーカー)

電源アダプター

- 入力: AC100 ~ 240V
- 50 - 60Hz 最大 1.0A
- 出力: DC 14V 2.0A
- 仕様および外観は、改良のため、予告なく変更することがあります。



保証関連情報

本製品の保証期間は購入日から2年間ですが、www.ruarkaudio.comへ製品を登録すると、3年間保証を受けることができます。

本保証は、本製品が適切な注意を払って取り扱われた場合に限り有効です。偶発的な損傷、過度の消耗、過失または無許可の改造による製品の故障には適用されません。

英国外で購入された製品については、購入国の輸入代理店が製品を保証します。詳細については、お近くのRuarkの販売店または輸入代理店へお問い合わせください。

株式会社Delfin Japan カスタマーサポート担当
メールアドレス: customer-support@delfin.co.jp
www.delfin.co.jp 電話: 03-5763-5361
FAX: 03-5763-5362

使用上のお手入れとご注意

- キャビネットや操作パネル部分の汚れは、やわらかい布で軽く拭き取ってください。
- ベンジンやシンナーなどの有機溶剤および殺虫剤などが本機に付着すると、変質や変色の原因になりますので使用しないでください。
- この機器を直射日光、極端に高い湿度や温度、多くのホコリ、過度な振動がある環境に設置しないでください。塗装や仕上げ、性能など機器の耐久性に影響を与える恐れがあります。
- 推奨動作温度は5°C~40°Cです。
- 自然産原木で仕上げたキャビネットは経時変化や日光の影響により、変色します。

著作権・登録商標

©2019 Ruark Audio. All rights reserved. Ruark Audio, the Ruark Audioロゴ、その他のRuark Audioを示すマーク類はRuark Audioの所有物であり、商標登録されています。他のすべての登録商標は該当所有企業の所有物であります。Ruark Audioはこのユーザーガイドに含まれている可能性がある誤記に関して責任をとりません、またはこのユーザーガイドに含まれている情報は事前通告無しに変更される可能性があります。

Bluetooth®や関連ロゴはBluetooth SIG, inc. 所有の登録商標です。

Qualcomm aptXはQualcomm Technologies International Ltd.の製品です。

その他の全ての商標は該当所有企業の所有物であります。

MR₁

Bluetooth® 스피커
MR1 mk2

User guide	EN
Brugervejledning	DA
Bedienungsanleitung	DE
Guía del usuario	ES
Guide de l'utilisateur	FR
Manuale dell'utente	IT
ユーザーガイド	JA
사용자 안내서	KO
Gebruikershandleiding	NL
Brukerveiledning	NO

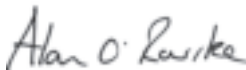
ruarkaudio

저희 MR1 mk2 액티브 블루투스 스피커를 선택해 주셔서 감사합니다.
루악오디오는 하이파이 스피커시스템을 전문적으로 만드는 기업으로 좋은 음질을 향한 저희의 열정을 모든 제품에 깊이 새겨서 만들었습니다.

오리지널 MR1의 풍성한 사운드와 예쁜 디자인은 각종 언론에서 뿐만 아니라 많은 소비자들로부터 수많은 칭찬과 다양한 상을 받았고, 이번 mk2 에디션은 작지만 훌륭한 스피커로서의 기존 매력을 고스란히 간직한 채 더욱 만족스러운 제품으로 재탄생 되었습니다. 예전보다 훨씬 매끈한 바디와 더욱 풍부해진 음질과 함께 더욱 쉬운 방법으로 조작할 수 있도록 만들어 졌으며, 광 입력 또한 추가되었습니다.

최상의 성능을 구현하는데 도움이 되도록, 부디 시간을 내어 이 사용자 가이드를 읽어 보시기를 부탁드립니다. 적절한 관리만 해주면 MR1을 오랫동안 즐기실 수 있을 것으로 확신합니다.

Ruark Audio를 선택해 주셔서 다시 한번 감사의 말씀을 드립니다.



Alan O'Rourke (앨런 오루크)
설립자 겸 상무이사

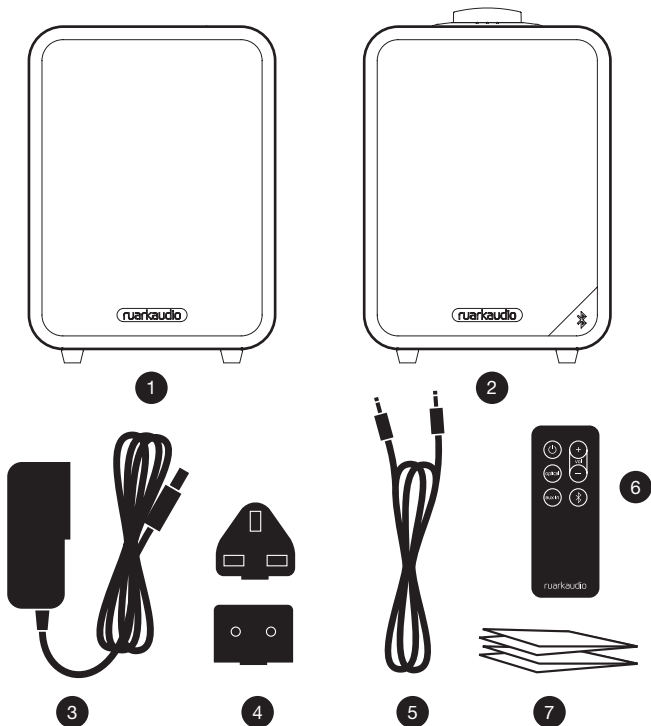
상자 내용물

아래에 적힌 부품이 모두 들어있는지 확인하십시오. 없는 부품이 하나라도 있으면, 스피커를 사용하지 말고 영국 내에서 구입했을 경우에는 당사에 직접 연락하고, 영국 이외의 국가에서 구입한 경우에는 Ruark Audio 수입사에 연락하십시오.

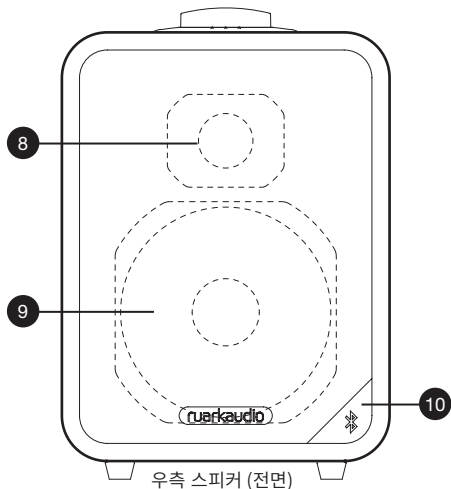
1. 좌측 스피커
2. 우측 스피커
3. 전원 어댑터 및 DC 코드
4. AC 전원 코드*
5. 스피커 연결 케이블
6. 리모컨
7. 사용자 가이드 및 기타 서류

가능하면 종이 상자와 모든 포장용 자재를 보관하십시오.

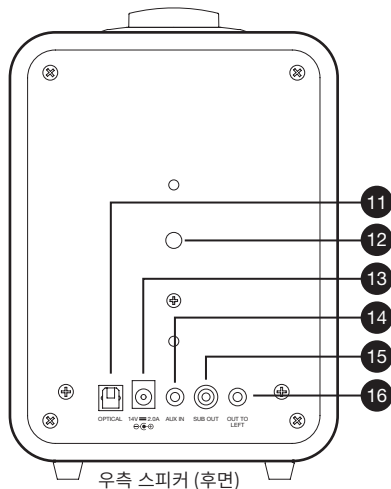
* 함께 제공되는 플러그 어댑터의 종류와 개수는 판매 지역에 따라 달라질 수도 있습니다.



제품 개요

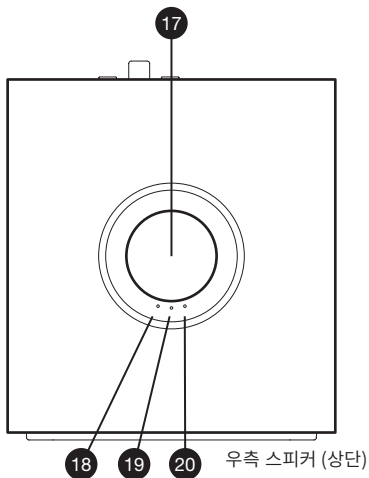


- 8. 트위터 유닛
- 9. 우퍼 유닛
- 10. 리모컨 센서
- 11. 광 입력 (Toslink)
- 12. 월마운팅 (1/4-20 UNC 나사 전용)



- 13. DC 전원 소켓
- 14. Aux 입력 (3.5mm 스테레오 잭)
- 15. 서브우퍼 출력 (포노단자)
- 16. 좌측 스피커용 출력 (3.5mm 모노 잭)

컨트롤

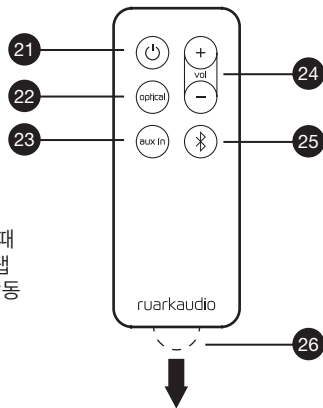


- 17. 컨트롤 knob
- 18. 광 입력 LED 상태 표시등 (녹색)
- 19. 블루투스 LED 상태 표시등 (청색)
- 20. Aux 입력 LED 상태 표시등 (진한 등황색)

리모컨

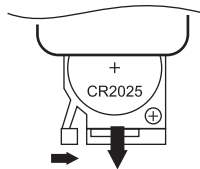
- 21. 스탠바이
- 22. 광 입력
- 23. Aux 입력
- 24. 볼륨
- 25. 블루투스
- 26. 배터리 탭

주의: 리모컨을 처음 사용할 때는 반드시 투명한 플라스틱 탭을(26) 제거해야 배터리가 작동합니다.



배터리 교체

1. 잠금부 측면을 누른 상태에서 배터리 장착함을 끌어내십시오.
2. 리모컨을 뒤집어서 새 배터리 (CR2025)로 교체하십시오. 이 때 +표시가 있는 평편한 면이 위쪽으로 오도록 하십시오.
3. 배터리 장착함을 제 자리에 밀어 넣으십시오.



설정

1 스피커 위치

최상의 스테레오의 재현을 위해서는, 좌/우 스피커를 60cm 이상 띄어서, 볼륨 조절장치가 장착된 스피커를 우측에 놓으십시오. 스피커 앞에 있는 장애물은 모두 치우고, 각 스피커의 아래쪽도 비워주십시오

2 스피커의 상호 연결

제공된 스피커 연결 케이블 한 쪽 끝을 우측 스피커의 출력부에, 그리고 반대 쪽 끝을 좌측 스피커의 입력 소켓에 끼워서 두 스피커를 연결하십시오.

3 AC 전원 연결

사용자의 지역에 맞는 플러그를 전원 공급장치에 끼우십시오. 플러그 어댑터를 끼우면, “딸각”하고 제 자리에 들어갑니다.

전원 공급장치의 DC 케이블을 MR1 후면에 있는 소켓에 연결하시고, 전원 공급 소켓 (콘센트)에 연결하십시오.

4 스피커 켜기

우측 스피커에 있는 컨트를 높이거나 또는 리모컨의 스탠바이 버튼을 누르십시오. MR1을 처음으로 연결하면 블루투스 모드로 켜지며 자동으로 페어링 모드가 작동합니다 (청색 LED 상태 표시등이 표시됩니다).

5 소스 변경하기

컨트를 높을 눌러서 블루투스, Aux 입력, 또는 광 입력으로 소스를 선택 또는 변경하실 수 있습니다.

6 볼륨 조절

컨트를 높을 시계방향으로 돌리면 볼륨이 커지며, 반대방향으로 돌리면 작아집니다. 또는 리모컨에 있는 볼륨 버튼을 사용해서 조절할 수도 있습니다. 볼륨이 최대 또는 최소 위치에 이르면 LED 상태 표시등이 잠시 꺼집니다.

7 스탠바이

컨트를 높을 LED 상태 표시등이 꺼질 때까지 1-2초간 누르거나, 리모컨에 있는 스탠바이 버튼을 누르십시오.

Aux 입력

1 아날로그 오디오 기기 연결

3.5mm 스테레오 잭 케이블 (별도 구매)을 오른쪽 스피커 후면에 있는 Aux 입력 소켓에 연결하고, 케이블 반대쪽은 소스가 되는 기기 (CD 플레이어, 노트북, TV 등등)에 연결합니다.

2 Aux 입력 선택

등황색 LED 상태 표시등 (Aux 입력)이 나올 때까지 컨트롤 버튼을 계속 누르거나, 리모컨의 Aux 버튼을 누릅니다.

3 기기에서 음악재생을 시작합니다

옵티컬 - 광 입력

1 광 출력 기기 연결

기본 Toslink(토스링크) 광 케이블 (별도 구매)을 오른쪽 스피커 후면에 있는 광 입력 소켓에 연결하고, 케이블 반대쪽은 소스가 되는 기기 (게임콘솔, TV 등등)에 연결합니다.

2 광 입력 선택

녹색 LED 상태 표시등 (광 입력)이 나올 때까지 컨트롤 버튼을 계속 누르거나, 리모컨의 광 입력 버튼을 누릅니다.

3 기기에서 음악재생을 시작합니다

블루투스

블루투스 기기로부터 오디오를 스트리밍 재생하려면, 먼저 그 기기를 MR1과 페어링을 해야합니다.

블루투스 기기와 페어링하기 (연결하기)

1 블루투스 모드 선택

청색 LED 상태 표시등 (블루투스 모드)이 나올 때까지 컨트롤 노를 계속 누르거나, 리모컨의 블루투스 버튼을 누릅니다. 블루투스 LED 상태 표시등이 청색으로 깜박이면 블루투스 기기와 페어링 또는 연결할 준비가 되어있다는 의미입니다.

2 블루투스 기기의 페어링

블루투스 기기의 설정으로 들어가서 블루투스를 키고, 페어링 기기 목록에서 “Ruark MR1”을 선택하십시오 (MR1이 목록에 뜰 때까지 조금 시간이 걸릴 수 있습니다). MR1과 블루투스 기기가 성공적으로 연결되면 블루투스 LED 상태 표시등이 더 이상 깜빡이지않고 청색으로 나타납니다

3 블루투스 기기에서 음악 재생 시작

연결된 음악 재생 기기로 “Ruark MR1” 또는 블루투스를 선택해야 하는 경우도 있습니다.

자동 연결

MR1은 자동적으로 가장 최근에 페어링 되었던 블루투스

기기와 연결을 시도합니다.

작동범위

MR1 스피커는 일반적으로 연결하려는 블루투스 기기로부터 최대 10m 거리까지 작동하지만, 벽 같은 장애물이 있는 경우에는 작동거리가 줄어듭니다. 또한 작동거리는 연결하려는 기기의 블루투스 성능에 따라 다를 수 있습니다.

기기 연결 끄기

컨트롤 노를 누르거나, 리모컨에 있는 블루투스 버튼을 짧게 누르십시오. 블루투스 LED 상태 표시등이 깜박이면, 현재 연결되어 있는 기기의 연결이 해제된 상태로, MR1은 페어링 또는 연결 가능한 상태가 됩니다.

MR1에 추가로 기기 페어링하기

최대 8개의 기기를 동시에 페어링할 수 있지만, 오디오는 한번에 한 개의 기기로부터만 재생할 수 있습니다.

페어링 목록 삭제하기

컨트롤 노를 5초간 누르고 있으면 3개의 LED 상태 표시등에 불이 들어오며, 모든 페어링 정보가 삭제됩니다. 연결했던 기기의 블루투스 페어링 목록에서 “Ruark MR1”을 삭제하거나 페어링을 해제해야 할 수도 있습니다

볼륨 조절

우선 사용자 블루투스 기기의 볼륨을 최대로 설정한 다음,

그외의 기능

MR1에 있는 볼륨 조절 장치를 사용하여 재생 볼륨을 조정하도록 권장합니다.

입력 레벨 조절

만약 볼륨이 다른 소스들에 비해 Aux 입력이나 광 입력으로 들었을 때 현저히 낮은 경우, 입력 레벨을 올리시기 바랍니다.

만약 볼륨이 너무 높고 찢어지는 듯한 사운드가 나오면 입력레벨을 낮추시기 바랍니다.

입력 레벨을 조절하려면, 조절하고자 하는 소스를 선택한 후, 모든 LED 상태 표시등에 불이 들어올 때까지 해당 소스 버튼을 리모컨에서 꺾 누릅니다.

리모컨의 볼륨버튼을 누르거나, 컨트롤 노를 돌려서 레벨을 조절하고 (상태 표시등 1 개에 불이 들어오면 낮음, 3 개에 불이 다 들어오면 높음) 컨트롤 노를 눌러서 선택하면 설정이 완료되며 모든 LED 상태 표시등에 불이 들어옵니다.

스누즈 모드(대기상태)

MR1은 전기를 절약하기 위하여, 20분간 아무런 작동이 없으면 자동적으로 스누즈모드(대기상태)로 바뀌고, 재생을 하면 다시 자동적으로 켜집니다.

이 기능은 블루투스가 작동할 때도 적용되고, LED는 숨쉬기 모드로 켜집니다

스누즈모드(대기상태) 제거하기

스누즈 모드를 비활성화하려면 MR1을 켜고 모든 LED가 두 번 깜박일 때까지 리모컨의 대기 버튼을 5 초 동안 누릅니다.

다시 활성화하려면 모든 LED가 한 번 깜박일 때까지 대기 버튼을 5 초 동안 누릅니다.

월 마운팅 (벽걸이)

귀하의 MR1 스피커는 1/4-20 UNC 나사를 제품 후면에 끼워 사용하면 벽에 걸 수 있도록 제작되었습니다. 더 자세한 내용은 해당 지역 Ruark 수입사 (www.delfin.co.kr) 나 판매점, 또는 www.ruarkaudio.com 에 문의하시기 바랍니다.

BackPack 배터리팩 호환

MR1은 루악오디오 BackPack 배터리 팩과 완벽하게 호환되므로 교류 전원이 없는 곳에서는 이 배터리 팩을 사용할 수 있습니다.

MR1이 스탠바이 모드에서 배터리를 미세하게 사용하여 닳기 때문에, 사용하지 않으실 때는 배터리팩을 꺼 두시는 것을 추천합니다.

MR1을 더욱 유용하게 사용하고자 팁을 원하시면 www.ruarkaudio.com 를 방문해주시기 바랍니다.

안전 및 규제 관련 정보

- 본 사용자 가이드를 읽어본 후, 모든 지시를 그대로 따르면, 본 제품의 적절한 설정 및 작동에 도움이 될 것입니다.
- 모든 경고 사항에 유의하고 나중에 참고할 수 있도록 본 사용자 가이드를 보관하십시오.
- 손상된 기기는 위험한 감전 사고를 유발할 수 있으므로 사용을 시도하지 마십시오.
- 본 기기를 열거나 패널을 제거하여 내부에 있는 전자 부품을 노출시키지 마십시오. 내부에는 사용자가 수리할 수 있는 부품이 없습니다.
- 모든 서비스는 유자격 서비스 인원에 의뢰하십시오. 전원 공급 장치 코드나 플러그가 손상되었다든지, 액체를 쏟거나 외부 물체가 기기 안에 떨어졌다든지, 기기가 빗물이나 습기에 노출되었다든지, 제대로 작동하지 않는다면, 또는 떨어뜨린 경우와 같이 어떤 형태로든지 기기가 손상되었을 경우에는 서비스가 필요합니다.
- 본 기기는 후면 패널에 나열된 AC 전압 또는 제공된 전원 공급 장치로만 작동할 의도로 설계되었습니다. 지시된 규격 외의 다른 전압으로 작동하면, 수리 불가능한 기기 손상을 유발할 수도 있으며, 제품 보증이 무효화됩니다.
- 본 기기와 함께 제공된 전원 공급장치나 승인된 대체품만 사용하십시오.
- 전원 어댑터, 전원 플러그 또는 기기 연결용 전원 커넥터는 필요할 경우, 공급 전원을 차단할 수 있도록 반드시 쉽게 접근할 수 있어야 합니다.
- 본 시스템을 전원과 완전히 분리하려면 전원 어댑터, 전원 플러그 또는 전원 커넥터를 소켓에서 빼놓으십시오.
- 본 기기 근처에 불이 켜진 양초같은 노출 화염원을 두지 마십시오. 라디에이터, 인덕션, 난로 또는 열을 방출하는 기기 (앰프 포함) 근처에 설치하지 마십시오.
- 과도한 열기나 냉기를 피하십시오
- 본 기기용으로 지정된 장착물/액세서리만 사용하십시오. 본 시스템이나 액세서리를 개조하지 마십시오. 승인 받지 않은 개조는 안전, 규제 준수 및 시스템 성능에 영향을 줄 수도 있습니다.
- 화재 또는 전기 감전 위험을 줄이기 위해, 본 기기를 빗물이나 습기에 노출시키지 마십시오. 본 기기를 액체가 떨어지거나 튀기는 곳에서 노출시키지 말고, 꽃병같이 액체가 담긴 물건을 올려놓거나 기기 근처에 두지 마십시오. 모든 전자 제품과 마찬가지로, 본 시스템의 어떤 부분에도 액체를 쏟지 않도록 주의하십시오. 액체는 고장과/또는 화재 위험을 유발할 수도 있습니다.
- 번개가 치거나 오랫동안 사용하지 않을 경우에는 본 기기의 손상을 방지하기 위해 플러그를 빼놓으십시오.
- 화재 또는 전기 감전을 배제하기 위해, 전원 콘센트, 연장용 코드, 일체형 전원 콘센트에 과부하가 걸리지 않도록 하십시오
- 음악을 큰 소리로 오랫동안 들으면 청각 손상을 일으킬 수도 있습니다. 특히, 장시간 동안 헤드폰을 사용하여, 들을 때에는 극히 높은 볼륨의 사용을 피하는 것이 최선의 대책입니다.
- 본 기기를 막힌 공간에 설치하지 마십시오. 환기가 되도록 기기 주위에 최소한 10cm의 공간을 두고, 커튼이나 다른 물체가 절대로 본 기기의 환기구를 가리지 않도록 하십시오.
- 원격 제어 배터리는 햇빛이나 화재 등 과도한 열에 노출되어서는 안되며, 사용한 배터리는 책임감있게 폐기해야 합니다.



동전형 리튬 배터리에 관한 안전 경고: 본 기기의 리모컨에는 삼키면 화학 열상을 유발할 수도 있는 동전형 리튬 배터리가 들어있습니다. 새 배터리나 사용한 배터리를 어린이들이 손대지 않도록 하십시오. 만약 배터리를 삼킨 것으로 생각되면 즉시 의료조치를 취하십시오. 배터리액이 새거나 손상된 배터리는 만지지 마십시오. 배터리를 잘못 교체하면 폭발 위험이 있습니다. 규격에 명시된 배터리나 동등품을 사용하시기 바랍니다.



이 제품은 한국 인증기관으로 부터 안전확인시험을 받아 안전기준에 적합한 제품임을 확인한 후 KC 인증마크를 획득하였습니다.

제품 규격

MR1 mk2 스피커

- Ruark 75mm 네오디뮴 우퍼
- Ruark 20mm 실크 돔 트위터
- 20W 리니어 앰프
- 오디오급 크로스오버 소자
- 블루투스: A2DP, aptX
- 전력 소모:
표준 10-12W 최대 28W
스탠바이 0.5W
- 3.5mm 잭 Aux 입력 단자
- 토스링크(Toslink) 광 입력 단자
- 서브우퍼 출력 포노 단자
- Backpack (배터리) 호환 가능
- 크기: 175 x 130 x 140mm
- 무게: 1.3kg (R) 1.1kg (L)

전원 어댑터

- 입력: 100 ~ 240VAC
50-60Hz 최대 1.0A
- 출력: 14VDC 2.0A

제품 규격과 디자인은 사전 통보 없이 변경될 수 있습니다



Bluetooth®

Qualcomm
aptX™



보증 관련 정보

제품을 등록하면 보증을 3년으로 연장 받을 수 있습니다. 이 제품은 구매일자를 기준으로 기본적으로 2년 보증을 제공하지만, **www.ruarkaudio.com** 에 제품을 등록하면 3년 보증을 받으실 수 있습니다.

이 보증은 적절한 주의를 기울여 제품을 사용하셨을 경우에 유효합니다. 우발적 손상, 과도한 마모, 부주의 또는 무단 개조로 인한 제품고장의 경우에는 보증이 무효화 됩니다.

영국 이외의 지역에서 구입 한 제품의 경우 구입 한 국가의 대리점에서 제품을 보증합니다. 자세한 내용은 현지 Ruark

디스트리뷰터 또는 대리점에 문의하십시오.

제품을 반품하시는 경우, 제품을 원래 의 포장상태 그대로 보존해야 하며, 구매증명을 함께 지참해주시기 바랍니다. 이 보증은 구매자의 법적권리를 변경하거나 제거하지 않습니다.

오류 및 누락은 제외됩니다.

Delfin 배포

서울 영등포구 여의도동 17 여의도 더샵아일랜드파크 101동 507호 (02) 2678-3096 www.delfin.co.kr

제품 관리

- 부드럽고 보푸라기가 생기지 않는 걸레나 약간 축축한 천으로 닦으십시오. 왁스 스프레이나 다른 물질을 사용하면 표면의 마감 부분을 손상시키거나 성능에 영향을 미칠 수도 있으므로 사용하지 마십시오.
- 본 기기를 직사광, 고습, 먼지, 과도한 진동 또는 극히 높은 온도에 노출시키지 마십시오. 마감 처리, 성능 및 기기의 내구성에 영향을 미칠 수 있습니다.
- 권장 작동 온도 범위는 5°C ~ 40°C입니다.
- 자연산 원목으로 마감한 캐비닛은 시간이 지나거나, 특히 햇볕에 노출되면, 변질되거나 색깔이 짙어집니다.

저작권 및 등록 상표

© Ruark Audio. All rights reserved. Ruark Audio, the Ruark Audio 로고, 그리고 기타 Ruark Audio 상표는 Ruark Audio 소유이며 등록 되어있을 수도 있습니다. 모든 여타 등록상표는 해당 소유업체의 재산입니다. Ruark Audio는 본 사용자 안내서에 있을 수도 있는 어떤 오류에 대해서도 책임을 지지 않으며, 또한 본 사용자 안내서에 포함된 정보는 사전 통보 없이 변경될 수도 있습니다.

블루투스® 및 관련 로고는 Bluetooth SIG Inc. 소유의 등록상표입니다.

Qualcomm aptX는 Qualcomm Technologies International Ltd. 의 제품입니다.

기타 모든 상표는 해당 소유자의 재산입니다.

MR₁

Bluetooth®-speakers
MR1 mk2

User guide	EN
Brugervejledning	DA
Bedienungsanleitung	DE
Guía del usuario	ES
Guide de l'utilisateur	FR
Manuale dell'utente	IT
ユーザーガイド	JA
사용자 안내서	KO
Gebruikershandleiding	NL
Brukerveiledning	NO

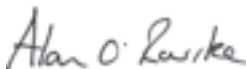
ruarkaudio

Bedankt voor het kiezen van onze MR1 mk2 actieve Bluetooth-speakers.

Ruark Audio is begonnen als specialisten in high-fidelity speakersystemen en deze passie voor geluidskwaliteit is de kern van al onze producten. De originele MR1's hebben eervolle vermeldingen gekregen van zowel pers als publiek voor hun rijke geluid en aantrekkelijke uiterlijk en de mark 2 editie garandeert dat deze geweldige kleine speakers absoluut up-to-date blijven. Zij zien er beter uit en klinken beter dan ooit, zijn zelfs nog gemakkelijker in het gebruik, en beschikken nu ook over optische ingang.

Neem de tijd voor het lezen van deze gebruikershandleiding daar het je zal helpen de set op te zetten en de beste prestatie eruit te halen. Met de juiste zorg, zouden de MR1's je jaren luisterplezier moeten geven.

Wij houden van onze MR1's en wij hopen dat dat ook bij jou het geval is!

A handwritten signature in black ink that reads "Alan O'Rourke". The signature is written in a cursive, flowing style.

Alan O'Rourke
Oprichter en managing director

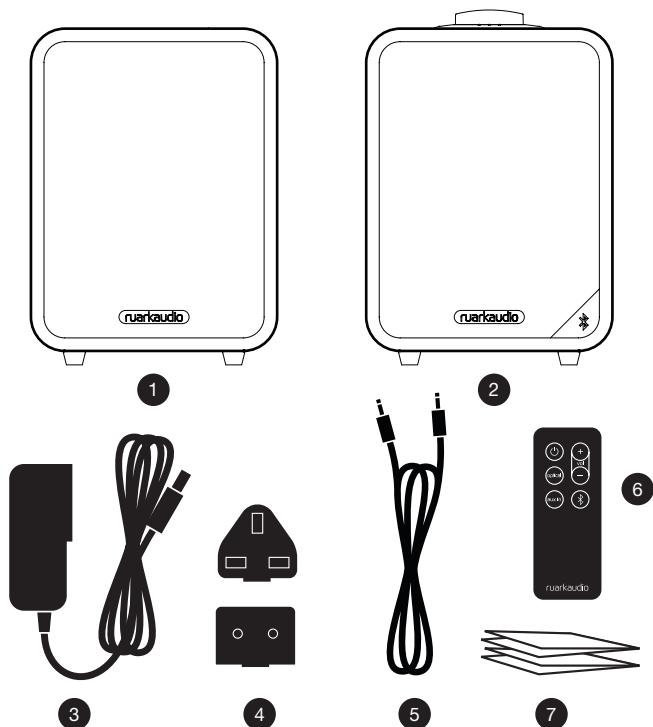
Wat zit er in de doos

Controleer of alle hieronder vermelde onderdelen in de doos zitten. Als er een onderdeel ontbreekt, de speakers niet gebruiken en direct contact met ons opnemen indien in het VK gekocht of je Ruark Audio dealer indien buiten het VK gekocht.

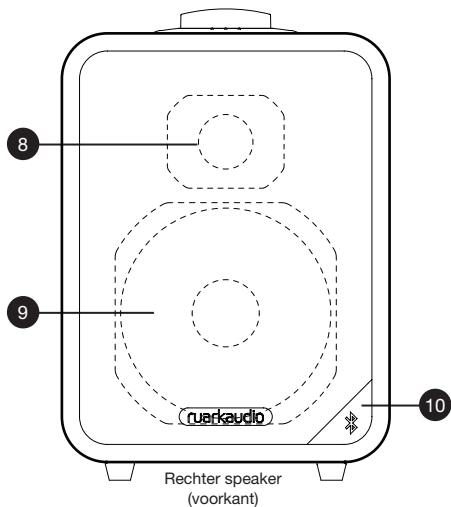
1. Linker speaker
2. Rechter speaker
3. Netstroomadapter
4. Stekker(s) voor netstroomadapter*
5. Speakerverbindingskabel
6. Afstandsbediening
7. Gebruikershandleiding & andere documenten

Bewaar alle verpakkingsmaterialen.

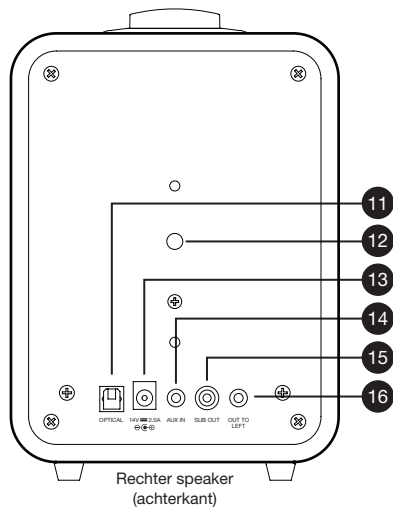
* Het aantal en type geleverde stekkeradapters zullen per regio verschillen.



Overzicht

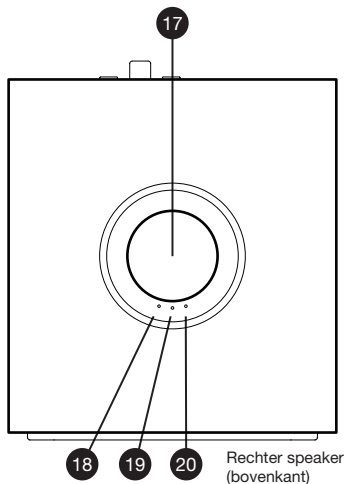


- 8. Zijden dometweeter
- 9. Neodymium-woofer
- 10. Afstandssensor



- 11. DC-stroomcontactdoos
- 12. Wandmontage (1/4-20 UNC schroefdraad)
- 13. Audio-ingang (3,5 mm stereosteekkerbus)
- 15. Sub-wooferuitgang (fono)
- 16. Uitgang naar linker speaker (3,5 mm monosteekkerbus)

Knoppen

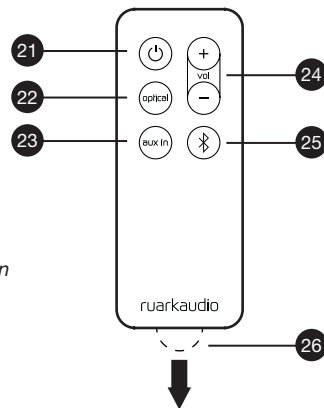


- 17. Regelknop
- 18. Optische ingangindicator LED (groen)
- 19. Bluetooth-ingangindicator LED (blauw)
- 20. Hulpingangindicator LED (geel)

Afstandsbediening

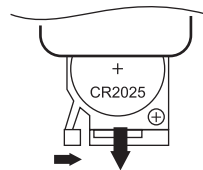
- 21. Standby
- 22. Optisch
- 23. Hulp in
- 24. Volume
- 25. Bluetooth
- 26. Batterij-tab

N.B.: voordat je je afstandsbediening voor het eerst gebruikt moet je de kunststof tab (26) verwijderen om de batterij te activeren.



Batterij vervangen

1. Houd het slot opzij met je vinger en schuif het batterijcompartiment uit.
2. Vervang, met de voorkant omlaag, de batterij door een nieuwe CR2025, en let op dat de platte zijde met de + naar boven is gericht.
3. Duw het batterijcompartiment terug op zijn plaats.



Opstelling

1 Positie speakers

Voor de beste stereoweergave, plaats linker en rechter speakers minimaal 60 cm uit elkaar met de speaker met volumeregelaar rechts. Vermijd de aanwezigheid van voorwerpen vóór de speakers en controleer ook of de onderkant van elke speaker onbelemmerd is.

2 Sluit de speakers op elkaar aan

Sluit de twee speakers aan met de verbindingskabel, steek een kant in de uitgang op de rechter speaker en het andere uiteinde in de ingang op de linker speaker.

3 Aansluiten op netstroom

Monteer de correcte stekker voor je regio op de netstroomadapter, hij zal op zijn plaats "klikken". Sluit de netstroomadapter aan op de DC-stroomcontactdoos aan de achterkant van je MR1, sluit hem vervolgens aan op de wandcontactdoos en schakel hem, waar van toepassing, in.

4 Schakel je speakers in

Druk op de regelknop of de standbyknop op de afstandsbediening. Wanneer hij voor het eerst wordt ingeschakeld zal je MR1 inschakelen in Bluetooth-modus en automatisch de paringmodus invoeren (blauwe LED knippert).

5 Bron veranderen

Druk op de regelknop om tussen Bluetooth, Hulp-ingang en Optisch heen en weer te schakelen.

6 Volume aanpassen

Draai de volumeregelknop naar rechts om het volume te verhogen, naar links om het te verlagen of gebruik de volumetoetsen op de afstandsbediening. Wanneer u het maximum- of minimumvolume bereikt, gaat de bronindicator-LED tijdelijk uit.

7 Standby

Druk op de regelknop en houd hem gedurende 1-2s vast tot de bron-LED uitschakelt of druk op de standbytoets op de afstandsbediening.

Hulp in

1 Sluit je analoge audio-apparaat aan

Steek een standaard 3,5 mm stereosteekkerkabel (afzonderlijk verkocht) in de HULP IN contactdoos in de achterkant van de rechter speaker en het andere uiteinde in het apparaat vanwaar je wilt spelen (CD-speler, Laptop, TV enz.)

2 Hulp-ingang selecteren

Druk herhaaldelijk op de regelknop tot de gele Hulp in LED-lampjes gaan branden of druk op de Hulp in toets op de afstandsbediening.

3 Start audio-playback op je apparaat

Optisch

1 Sluit je optische audio-apparaat aan

Steek een standaard Toslink optische kabel (afzonderlijk verkocht) in de OPTISCHE contactdoos aan de achterkant van de rechter speaker en het andere uiteinde in het apparaat vanwaar je wilt spelen (gameconsole, TV enz.)

2 Optische ingang selecteren

Druk herhaaldelijk op de regelknop tot de groene Optische ingang LED-lampjes gaan branden of druk op de Optische toets op de afstandsbediening.

3 Start audio-playback op je apparaat

Bluetooth

Om audio vanaf een Bluetooth-audioapparaat te streamen moet je het eerst paren met je MR1-speakers.

Paar en sluit je apparaat aan

1 Selecteer Bluetooth-modus op je MR1's
Druk herhaaldelijk op de regelknop tot de blauwe Bluetooth LED-lampjes gaan branden; hij zal beginnen te knipperen om aan te geven dat je MR1's wachten om te paren met een Bluetooth audio-apparaat.

2 Paar je Bluetooth audio-apparaat aan
Ga naar instellingen op je audio-apparaat, schakel Bluetooth in en selecteer “Ruark MR1” uit de apparatenlijst (het kan een paar seconden duren voor ze verschijnen). Wanneer je MR1's gepaard en aangesloten zijn, zal de blauwe LED veranderen in ononderbroken blauw.

3 Start muziek spelen op je Bluetooth-apparaat
Je moet mogelijk “Ruark MR1” of Bluetooth selecteren als je playback-apparaat.

Auto aansluiting

Je MR1's zullen automatisch proberen te verbinden met het laatst aangesloten Bluetooth-apparaat.

Werkbereik

Je MR1's zullen tot maximaal 10 meter van je Bluetooth audio-apparaat normaal werken hoewel obstructies zoals wanden dit zullen verminderen.

Een apparaat loskoppelen

Druk op de regelknop of druk op de Bluetoothtoets op de afstandsbediening. Hierdoor wordt het huidige apparaat losgekoppeld, zal de blauwe LED knipperen en zullen je MR1's klaar zijn om te paren of weer aan te sluiten.

Paren van extra apparaten met je MR1's

Je kunt tot 8 apparaten paren, hoewel je slechts vanaf één apparaat tegelijk audio kunt spelen.

De paringlijst ruimen

Druk op de regelknop en houd hem gedurende 5 s vast tot alle 3 LED's gaan branden. Mogelijk moet je ook ontparen of de “Ruark MR1” ingang in de Bluetooth paringlijst van je apparaat wissen.

Volumeregeling

De volumeregelingen op je Bluetooth audio-apparaat en je MR1's zullen onafhankelijk van elkaar blijven, wij adviseren het volume tot bijna maximaal te draaien op je audio-apparaat en het uitgangvolume op de MR1 te regelen.

Andere functies

Aanpassing van het ingangsniveau

Als het volume bij het luisteren naar Hulp of Optische invoer duidelijk lager is dan bij het luisteren naar andere bronnen, dan moet je mogelijk het ingangsniveau verhogen.

Als het volume hoger en vervormd is, dan dien je het ingangsniveau te verlagen.

Selecteer voor het aanpassen van het ingangsniveau de bron die je wilt aanpassen, druk vervolgens op de bijbehorende brontoets op de afstandsbediening en houd hem ingedrukt tot alle 3 de LED's knipperen. Gebruik de volumetoetsen op de afstandsbediening of de volumeknop om het niveau te veranderen (1 LED = laag, 3 LED's = hoog) druk vervolgens op de knop om je selectie te bevestigen en dan gaan alle 3 de LED's knipperen.

Snooze-modus

Om stroom te sparen zullen je MR1-speakers na 20 minuten zonder een audiosignaal automatisch in de sluimerstand gaan. Bluetooth blijft actief en je MR1's zullen automatisch terugkeren zodra u audi-playback hervat. In de sluimerstand zal de bron LED zacht pulseren.

Uitschakelen snooze-modus

Om snooze-modus uit te schakelen, schakelt u uw MR1 en druk op en houd de standby-knop op de afstandsbediening 5 seconden ingedrukt totdat alle LED's tweemaal knipperen. Om weer in te schakelen, drukt u op de standby-knop gedurende 5 seconden ingedrukt totdat alle LED's eenmaal knipperen.

Wandmontage

Je MR1-speakers kunnen aan de wand worden gemonteerd met behulp van het geïntegreerde 1/4-20 UNC inzetstuk met schroefdraad aan de achterkant. Voor meer informatie kun je contact opnemen met je dealer of bezoek www.ruarkaudio.com

BackPack batterijpakket-compatibel

Je MR1's zijn volledig compatibel met het Ruark Audio BackPack batterijpakket zodat je ze kunt gebruiken waar geen netstroom beschikbaar is.

Als je BackPack batterijpakket uitgeschakeld kan worden, adviseren wij je dat te doen wanneer je je MR1's niet gebruikt daar zij zelfs in standby de batterijen langzaam leegmaken.

Voor nuttige tips over het gebruik van je MR1's, bezoek www.ruarkaudio.com

Veiligheids- en regelgevende informatie

- Lees deze gebruikershandleiding en volg alle instructies, het zal je helpen bij het correct opstellen en bedienen van je product.
- Let op alle waarschuwingen en bewaar deze gebruikershandleiding voor toekomstig gebruik.
- Probeer geen beschadigd apparaat te gebruiken daar dit zou kunnen resulteren in een gevaarlijke elektrische schok.
- De eenheid niet openen of ongeacht welke panelen verwijderen om de elektronica bloot te leggen. Geen interne onderdelen die door de gebruiker gerepareerd of onderhouden kunnen worden.
- Laat al het onderhoud over aan gekwalificeerd servicepersoneel. Onderhoud is nodig wanneer het apparaat op enige wijze is beschadigd, zoals het stroomvoorzieningssnoer of de stekker is beschadigd, er vloeistof is gemorst of voorwerpen in het apparaat zijn gevallen, het apparaat is blootgesteld aan regen of vocht, niet normaal werkt, of is gevallen.
- Dit apparaat is ALLEEN bedoeld voor bediening vanaf de AC-spanningen die op het paneel aan de achterkant worden vermeld of bijbehorende stroomvoorziening. Bediening vanuit andere spanningen dan de aangegeven kunnen onherstelbare schade aan het apparaat veroorzaken waardoor de productgarantie kan komen te vervallen.
- Gebruik alleen de met het apparaat meegeleverde stroomvoorziening of een goedgekeurd alternatief.
- Controleer of de stroomadapter, netstroomstekker of netstroomaansluiting in de eenheid gemakkelijk toegankelijk is in het geval dat loskoppeling van de netstroom nodig is.
- De netstroomadapter, netstroomstekker of netstroomaansluiting moet uit de contactdoos worden verwijderd om het systeem volledig los te koppelen van de netstroom.
- Plaats geen open vuurbronnen, zoals brandende kaarsen, op of bij het apparaat. Niet installeren in de buurt van warmtebronnen zoals radiatoren, kachels of andere apparaten, (inclusief versterkers) die warmte afgeven.
- Vermijd blootstelling aan extreme hitte of kou.
- Gebruik alleen voor dit apparaat gespecificeerde hulpstukken/accessoires. Voer geen aanpassingen aan het systeem of de accessoires uit. Onbevoegde veranderingen kunnen de veiligheid, naleving van regels en prestatie van het systeem aantasten.
- Om het risico op brand of elektrische schok te verminderen, het apparaat niet blootstellen aan regen of vocht. Dit apparaat niet blootstellen aan druppels of spetters en plaats geen met vloeistof gevulde voorwerpen, zoals vazen, op of bij het apparaat. Zoals met alle elektronische producten, pas op dat er in geen enkel deel van het systeem vloeistoffen worden gemorst. Vloeistoffen kunnen een defect en/of een brandgevaar veroorzaken.
- Neem de stekker van dit apparaat uit de contactdoos tijdens onweer of wanneer het gedurende lange tijd niet wordt gebruikt om schade aan dit apparaat te voorkomen.
- Om risico op brand of elektrische schok te voorkomen, vermijd overbelasting van wandcontactdozen, verlengsnoeren of integrale gemakscontactdozen.
- Langdurige blootstelling aan luide muziek kan gehoorbeschadiging veroorzaken. Het is het beste een extreem volume te vermijden bij gebruik van koptelefoons, met name gedurende langere perioden.
- Installeer dit apparaat niet in een besloten ruimte. Laat altijd een ruimte van ten minste 10 cm rond het apparaat open voor ventilatie en let op dat gordijnen of andere voorwerpen nooit ventilatieopeningen op het apparaat bedekken.
- Batterijen voor afstandsbediening mogen niet worden blootgesteld aan excessieve hitte, zoals van zon of vuur, en gebruikte batterijen moeten op verantwoordelijke wijze worden opgeruimd.



VEILIGHEIDSMEDEDELING MET BETREKKING TOT LITHIUMKNOOPCELLEN. De afstandsbediening bevat een lithiumknoopcelbatterij die, bij inname, chemische verbranding kan veroorzaken. Houd nieuwe en gebruikte batterijen buiten het bereik van kleine kinderen. Als je denkt dat er batterijen ingeslikt kunnen zijn, raadpleeg dan onmiddellijk een arts. Hanteer geen lekkende of beschadigde batterijen. Explosiegevaar wanneer een batterij verkeerd wordt vervangen. Alleen vervangen door hetzelfde of soortgelijke type.



Dit apparaat is gelabeld conform Europese Richtlijn 2012/19/EU met betrekking tot elektrisch en elektronisch afval. Dit symbool geeft aan dat het product of bijbehorende batterijen niet als gewoon huishoudelijk afval mogen worden weggegooid. Zoals met alle elektrische apparatuur, weggooien volgens lokale voorschriften.



CE-COMPLIANTIE-INFORMATIE

Dit product voldoet aan alle vereisten uit de EU Richtlijn zoals wettelijk van toepassing. U kunt een gratis kopie van de Conformiteitsverklaring verkrijgen door contact op te nemen met uw dealer, distributeur of Ruark Audio.

Ruark Audio verklaart hierbij dat dit apparaat voldoet aan de essentiële vereisten en andere relevante voorschriften van de Europese Richtlijn voor Radio-apparatuur 2014/53/EU.

U kunt de volledige CE- Conformiteitsverklaring downloaden op www.ruarkaudio.com/doc/MR1mk2doc.pdf

Specificaties

MR1 mk2 speakers

- Ruark 75 mm neodymiumwoofers
- Ruark 20 mm zijden dometweeters
- 20 W Lineaire versterker
- Audio-klasse cross-over-componenten
- Bluetooth: A2DP, aptX
- Stroomverbruik:
 - 10-12 W standaard, 28 W max,
 - 0,5 W standby
- 3,5 mm stekkerbus hulp analoge ingang
- Toslink optische digitale ingang
- Fono sub-woofer uitgang
- Backpack batterij-compatibel
- Afmetingen: 175 x 130 x 140 mm
- Gewicht: 1,3 kg (R) 1,1 kg (L)

Stroomvoorziening

- Ingangsvermogen 100 tot 240 V AC 50-60 Hz 1,0 A max
- Uitgangsvermogen 14 V DC 2,0 A

Specificatie en ontwerp kan zonder waarschuwing worden veranderd



Qualcomm
aptX™



Garantie

Registreer uw product voor een verlengde garantie van drie jaar.

Dit product is standaard gegarandeerd vrij van defecten voor een periode van twee jaar vanaf de aankoopdatum, maar dit wordt verlengd tot drie jaar wanneer u uw product registreert op www.ruarkaudio.com.

Deze garantie blijft geldig mits dit product met zorg en aandacht is behandeld. Productfalen door onopzettelijke schade, overmatige slijtage, nalatigheid of ongeautoriseerde modificatie maakt deze garantie ongeldig.

Voor producten die buiten het VK zijn gekocht, garandeert de distributeur in het land van aankoop het product. Neem voor meer informatie contact op met de lokale Ruark-distributeur of het verkooppunt.

Als u dit product retourneert, zorg er dan voor dat het is verpakt in de originele verpakking en dat een aankoopbewijs wordt meegeleverd.

Deze garantie verandert op geen enkele manier de wettelijke rechten van de koper.

Behoudens fouten en weglatingen.

Algemene verzorging

- Schoonmaken met een zachte, niet pluizende stofdoek of iets vochtig gemaakte doek. Gebruik geen wassprays of andere stoffen daar deze de oppervlakteafwerking kunnen beschadigen of de prestatie kunnen verminderen.

- Stel uw apparaat niet bloot aan direct zonlicht, hoge vochtigheid, stof, excessieve vibratie of extreme temperaturen, die allemaal schadelijk kunnen zijn voor de afwerking, prestatie en betrouwbaarheid van het apparaat.
- Het aanbevolen werktemperatuurbereik is 5°C tot 40°C.
- Kasten met een natuurlijke houtafwerking zullen variëren en lichter of donkerder worden naarmate ze ouder worden, met name wanneer ze worden blootgesteld aan zonlicht.

Copyright en handelsmerken

© Ruark Audio. Alle rechten voorbehouden. Ruark Audio, het Ruark Audio logo en andere merken van Ruark Audio zijn eigendom van Ruark Audio en kunnen gedeponeerd zijn. Alle andere handelsmerken zijn het eigendom van de respectievelijke eigenaren. Ruark Audio aanvaardt geen verantwoordelijkheid voor mogelijke fouten in deze handleiding en de daarin opgenomen informatie kan zonder berichtgeving veranderen. Bluetooth® en bijbehorende logo's zijn gedeponeerde handelsmerken die het eigendom zijn van Bluetooth SIG, Inc. Qualcomm aptX is een product van Qualcomm Technologies International Ltd. Alle andere handelsmerken zijn het eigendom van de respectievelijke eigenaren.

MR₁

Bluetooth®-høytalere
MR1 mk2

User guide	EN
Brugervejledning	DA
Bedienungsanleitung	DE
Guía del usuario	ES
Guide de l'utilisateur	FR
Manuale dell'utente	IT
ユーザーガイド	JA
사용자 안내서	KO
Gebruikershandleiding	NL
Brukerveiledning	NO

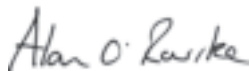
ruarkaudio

Takk for at du har valgt våre MR1 mk2 active Bluetooth-høytalere.

Rurark Audio startet som spesialister innen hi-fi høytalersystemer, og denne lidenskapen for lyd kvalitet er i sentrum for alle produktene våre. De originale MR1 vant lovord fra både presse og offentligheten sin rike lydgjengivelse og gode utseendet, og mark 2-utgaven sikrer at disse utrolige, små høytalerne følger med i tiden. De ser ut, og lyder bedre enn noen gang, er ennå enklere i bruk, og nå har de også optisk inngang.

Ta deg tid til å lese denne bruksanvisningen. Det vil hjelpe deg til å få mest mulig ut av dem. Med riktig stell vil MR1 gi deg gi deg år med lytteglede.

Vi elsker vår MR1, og vi håper du også vil gjøre det!



Alan O'Rourke
Grunnlegger og administrerende direktør

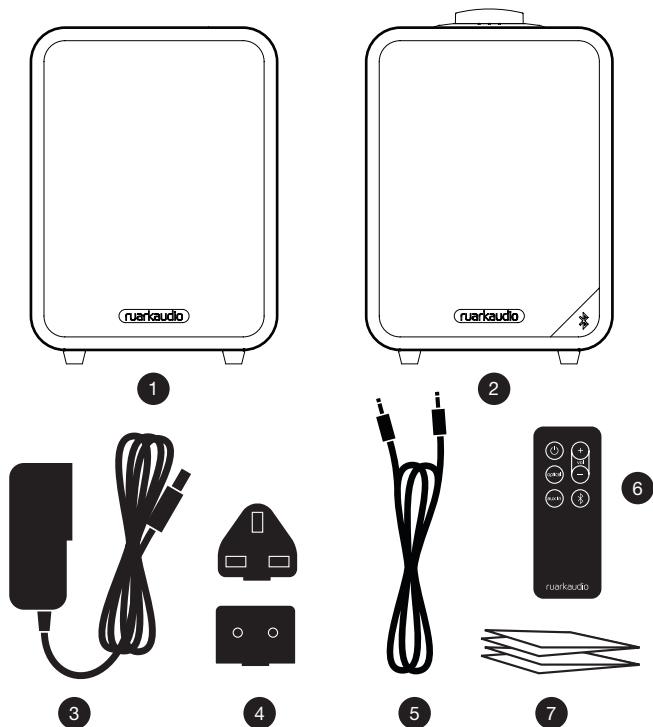
Innholdet i esken

Kontroller at alle deler som er oppført nedenfor følger med i esken. Hvis det mangler noen deler, må du ikke bruke høyttalerne, og ta kontakt med oss direkte hvis den er kjøpt i Storbritannia, eller Rurark Audio-forhandleren hvis de er kjøpt utenfor Storbritannia.

1. Venstre høyttaler
2. Høyre høyttaler
3. Strømadapter
4. Plugg(er) til strømadapter*
5. Kabel for sammenkobling av høyttalerne
6. Fjernkontroll
7. Bruksanvisning og andre dokumenter

Ta vare på all emballasje.

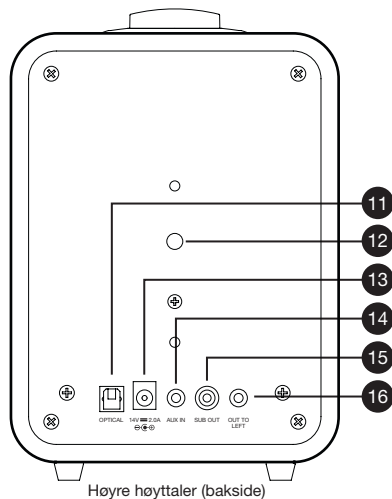
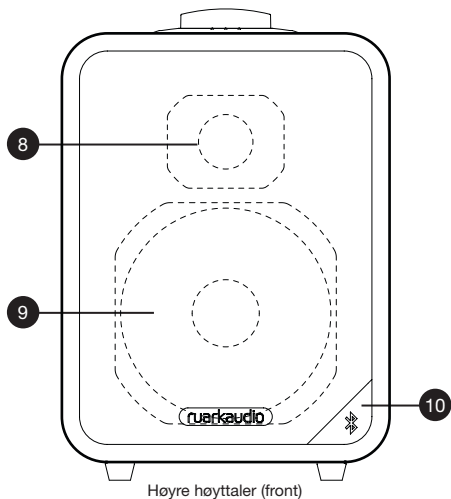
*Antallet og typer kontaktadaptere som leveres, vil variere etter region.



NO

6

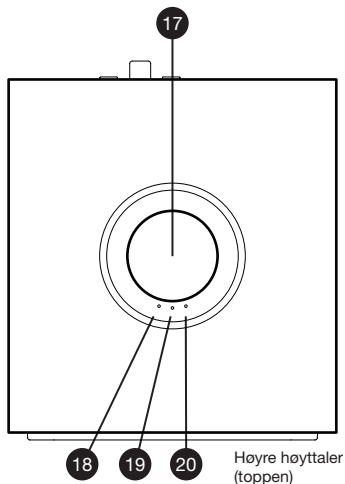
Oversikt



- 8. Diskanthøyttaler med silkekuppel
- 9. Neodym basshøyttaler
- 10. Ekstern sensor
- 11. Optisk inngang (Toslink)
- 12. Veggmontering (1/4-20 UNC gjenger)

- 13. DC strømkontakt
- 14. Aux.-inngang (3,5 mm stereo-jack)
- 15. Sub-bassutgang (fono)
- 16. Utgang til venstre høyttaler (3,5 mm mono jack)

Betjening

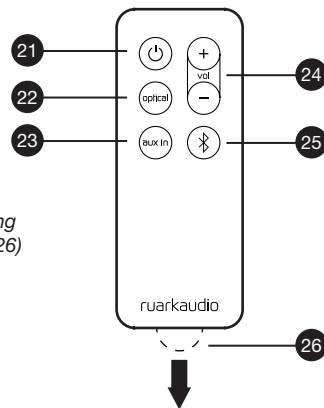


- 17. Kontrollknapp
- 18. LED-indikator for optisk inngang (grønn)
- 19. LED-indikator for Bluetooth (blå)
- 20. LED-indikator for aux-inngang (gul)

Fjernkontroll

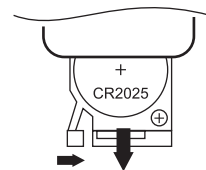
- 21. Standby
- 22. Optisk
- 23. Aux inn
- 24. Volum
- 25. Bluetooth
- 26. Batteritapp

MERK: før du bruker fjernkontrollen for første gang må du fjerne plaststrimlen (26) for å aktivere batteriet.



Bytte batteri

1. Hold låsen til siden med fingeren og skyv ut batterikammeret.
2. Med fjernkontrollen vendt ned, skift batteriet med et nytt av type CR2025, den flate siden merket med + skal vende opp.
3. Skyv batterikammeret tilbake på plass.



Setup

1 Posisjonere høyttalere

For den beste stereogjengivelsen må venstre og høyre høyttaler ikke plasseres mer enn 60 cm fra hverandre, og med den høyttaleren med volumkontrollen på høyre side. Unngå at det befinner seg noen gjenstander foran høyttalerne, og pass også på at undersiden av begge høyttalerne ikke er blokkert.

2 Sammenkoble høyttalere

Koble de to høyttalerne sammen med kabelen, sett den ene enden inn i utgangen på den høyre høyttaleren og den andre i utgangen på den venstre høyttaleren.

3 Tilkobling av strøm

Sett på det støpselet som passer strømsystemet der du bor på strømadapteren, den vil "klikke" på plass. Koble strømadapteren til DC strømkontakten på baksiden av MR1, så setter du inn veggkontakten, og der det er aktuelt, skrur den på.

4 Skru på høyttalerne

Trykk på kontrollknappen eller standby-knappen på fjernkontrollen. Når de skrues på for første gang vil MR1ene dine være i Bluetooth-modus og gå til paringsmodus automatisk (blå LED-lampe blinker).

5 Skifte kilde

Trykk på kontrollknappen for å veksle mellom Bluetooth, Aux-inngang og optisk.

6 Stille volumet

Drei volumstyringsknappen med klokken for å øke volumet, mot klokken for å redusere det eller bruk volumknappen på fjernkontrollen. Når du når det maksimale eller minimumsnivået, slukker kilde-LEDen midlertidig.

7 Standby

Trykk på, og hold kontrollknappen nede i 1-2sek. til kilde LED-en slukker, eller trykk på standby-knappen på fjernkontrollen.

Aux i

1 Tilkobling av en analog lydenhet

Sett inn en standard 3,5mm stereo jackkabel (selges separat) inn i AUX IN-kontakten på baksiden av høyre høyttaler og den andre enden inn i det apparatet du vil spille fra (CD-spiller, Laptop, TV, osv.)

2 Velge Aux-inngang

Trykk på kontrollknappen gjentatte ganger til den oransje lampen for Aux tennes, eller trykk på Aux-knappen på fjernkontrollen.

3 Start tilbakespilling av lyd på systemet

Optisk

1 Tilkobling av en optisk lydenhet

Sett inn en standard Toslink optisk kabel (selges separat) inn i den OPTISKSE kontakten på baksiden av høyre høyttaler og den andre enden inn i det apparatet du vil spille fra (Spillkonsoll, TV, osv.)

2 Velge optisk inngang

Trykk på kontrollknappen gjentatte ganger til den grønne lampen for optisk signalinngang tennes, eller trykk på Aux-knappen på fjernkontrollen.

3 Start tilbakespilling av lyd på utstyret

Bluetooth

For å strømme lyd fra en Bluetooth lydenhet må du først pare den med MR1 høyttalerne dine.

Par og koble til enheten

1 Velg Bluetooth-modus på MR1

Trykk på kontrollknappen flere ganger til den blå Bluetooth LED-lampen tennes. Den vil begynne å blinke, og dermed angi at MR1 høyttalerne venter på å bli pares med en Bluetooth lydenhet.

2 Pare Bluetooth lydenheten

Gå til innstillinger på lydenheten, skru på Bluetooth og velg "Ruark MR1" fra listen over enheter (det kan ta noen sekunder før de dukker opp). Når MR1 høyttalerne er parett og koblet til vil den blå LED-lampen skifte til fast, blått lys.

3 Start å spille musikk på Bluetooth-apparatet

Det er mulig du må velge "Ruark MR1" eller Bluetooth som tilbakespillingsenhet.

Automatisk tilkobling

MR1 vil forsøke å koble til den sist tilkoblede Bluetooth-enheten automatisk.

Rekkevidde

MR1 høyttalerne vil vanligvis virke opp til 10 m fra Bluetooth lydenhet, selv om hindringer som vegger vil redusere dette.

Koble fra et apparat

Trykk på kontrollknappen eller trykk på Bluetooth-knappen på fjernkontrollen. Dette vil koble fra nåværende apparat, den blå LED-lampen vil blinke og MR1-ene vil være klare til å pare eller kobles til igjen.

Paring av andre apparater til MR1 høyttalerne

Du kan parkoble opp til 8 enheter, selv om du bare vil være i stand til å spille av lyd fra én enhet om gangen.

Tømme parelisten

Trykk og hold kontrollknappen i 5sek. til alle 3 LED-lamper er tent. Du kan også oppheve paringen eller slette "Ruark MR1" fra Bluetooth-listen på enheten.

Volumkontroll

Volumkontrollene på Bluetooth-enheten og MR1-ene vil virke uavhengig av hverandre, og vi anbefaler at du stiller volumet på lydenheten til nær maksimum, og at du styrer utgangsvolumet på MR1.

Andre funksjoner

Innstilling av inngangsnivået

Hvis volumet er betydelig lavere når du lytter til Aux eller optisk inngang i forhold til når du lytter til andre kilder, må du muligens redusere inngangsnivået.

Hvis volumet er høyere og forvrengt, må du redusere inngangsnivået.

For å justere inngangsnivået velger du den kilden du ønsker å justere, trykker på og holder tilsvarende kildeknapp på fjernkontrollen til alle 3 LED-lamper blinker. Bruk volumknappene på fjernkontrollen eller volumknappen for å endre nivået (1 LED-lamper = lav, 3 LED-lamper = høy), så trykker du på knappen for å bekrefte valget, og alle tre LED-lampene vil blinke.

Snooze-modus

For å spare strøm vil MR1 høyttalerne automatisk gå i hvilemodus etter 20 minutter uten lydsignal. Bluetooth fortsetter å være aktiv, og MR1 vil slå seg på automatisk så snart du fortsetter tilbakespillingen. Når de er i hvilemodus vil LED-lampene blinke sakte.

Deaktivere snooze-modus

For å deaktivere snooze-modus, slår på MR1, og deretter trykker og holder på standby-knappen på fjernkontrollen i 5 sekunder til alle lampene blinke to ganger. For å aktivere den, trykker på standby-knappen i 5 sekunder til alle lampene blinker en gang.

Veggmontering

MR1 høyttalerne kan monteres på vegg med de integrerte 1/4-20 UNC-gjengede innleggene på baksiden.

For å få mer informasjon, ta kontakt med din forhandler, eller gå til www.ruarkaudio.com

Kompatibel med "backpack"-batteripakke

MR1 høyttalerne er fullt ut kompatible med Rurark Audio BackPack batteripakke, slik at du kan bruke dem der det ikke er nettstrøm tilgjengelig.

Hvis BackPack-batteripakken kan skrus av, anbefaler vi at du gjør dette når MR1 høyttalerne ikke er i bruk, fordi selv i standby vil batteriene sakte blir tørt.

For nyttige hint og tips om bruken av MR1ene, gå til www.ruarkaudio.com

NO

Informasjon om sikkerhet og forskrifter

- Les denne bruksanvisningen og følg alle instruksjonene. Det vil hjelpe deg å sette opp og bruke produktet riktig.
- Vær oppmerksom på alle advarsler og ta vare på denne bruksanvisningen som fremtidig referanse.
- Ikke forsøk å bruke et skadet apparat. Dette kan føre til et farlig elektrisk støt.
- Ikke åpne apparatet eller ta av paneler for å komme til elektronikken. Apparatet inneholder ikke noen deler som kan repareres.
- Henvi alt servicearbeid til kvalifisert personell. Det er nødvendig å få utført service på apparatene når de har blitt skadet på noen måte, som på strømkabelen eller kontakten, hvis det har blitt sølt væske på dem eller det har falt ned gjenstander på dem, eller hvis de har blitt utsatt for regn eller fuktighet, hvis de ikke virker som de skal eller de har falt ned.
- Denne enheten er BARE ment brukt med AC-spenning som er oppført på baksiden av apparatet eller med strømforsyningen som er inkludert. Bruk med andre spenninger enn dem som er angitt kan forårsake irreversibel skade på apparatet, og tilsidesette produktgarantien.
- Bare bruk den medleverte strømforsyningen, eller et godkjent alternativ.
- Pass på at strømadapteren, støpselet og strømkontakten til utstyret er lett å komme til i tilfelle det er nødvendig å koble fra strømmen.
- Strømadapteret, støpselet eller strømtilkoblingen må kobles fra kontakten for å koble apparatet helt fra strømmettet.
- Ikke plasser noen åpne flammer, som et tent stearinlys, på eller nær enheten. Ikke installer enhetene nær noen varmekilder som radiatorer, ovner eller andre apparater (inkludert forsterkere) som avgir varme.
- Unngå å utsette dem for ekstrem varme eller ekstrem kulde.
- Bare bruk tilbehør som er angitt for denne enheten. Ikke foreta noen modifikasjoner på systemet eller tilbehøret. Uautoriserte endringer kan kompromittere sikkerheten og ytelsen til systemet, i tillegg til at systemet ikke er i samsvar med forskriftene.
- For å redusere risikoen for brann eller elektrisk støt må enheten ikke utsettes for regn eller fuktighet. Ikke utsett apparatet for drypping eller sprut, og ikke plasser noen væskefylte gjenstander som vaser på eller nær apparatet. Som det er tilfelle med alle elektroniske produkter må du være forsiktig å ikke søle noen væsker på noen deler av systemet. Væsker kan forårsake feilfunksjon og/eller en brannfare.
- Koble fra dette apparatet i tordenvær eller når det ikke skal brukes over lengre perioder for å forhindre at det skades.
- For å forhindre risikoen for brann eller elektrisk støt, unngå å overbelaste veggkontakter, skjøteledninger eller dobbeltkontakter.
- Langvarig eksponering for høy musikk kan forårsake hørselsskade. Det er best å unngå ekstremt volum når du bruker øretelefoner, spesielt over lengre perioder.
- Ikke installer dette utstyret på et innestengt sted. La det alltid være en avstand på minst 10cm rundt utstyret for ventilasjon, og sikre at gardiner og annet aldri dekker ventilasjonsåpningene.
- Batterier for fjernkontrollen må ikke utsettes for sterk varme, for eksempel sollys eller flammer, og brukte batterier må avhendes på forsvarlig måte.



SIKKERHETSMERKNAD OM LITUM MYNTCELLE.

Fjernkontrollen inneholder et litium myntcellebatteri, som hvis det svelges kan forårsake kjemiske brannskader. Hold nye og gamle batterier utenfor barns rekkevidde. Hvis du mistenker at batterier kan ha blitt svelget, må du kontakte lege straks. Ikke håndter lekkasje eller skadde batterier. Eksplosjonsfare hvis batteriet settes inn feil. Må bare skiftes ut med den samme typen eller tilsvarende.



Dette apparatet er merket i henhold til det europeiske direktivet 2012/19/EU som gjelder kassering av elektrisk og elektronisk utstyr. Dette symbolet angir at produktet eller de tilhørende batteriene ikke skal kastes som vanlig husholdningsavfall. Som med alt elektrisk utstyr, skal det avhendes i henhold til lokale bestemmelser.



INFORMASJON OM CE-SAMSVAR

Dette apparatet er i samsvar med alle lovbestemte krav i EU-direktiver. Du kan få et gratis eksemplar av samsvarserklæringen ved å kontakte forhandleren, distributøren eller Ruark Audio.

Herved erklærer Ruark Audio at denne enheten overholder de viktigste kravene og andre relevante bestemmelser i det europeiske direktiv om radioutstyr 2014/53/EU.

Du kan laste ned den fullstendige CE-samsvarserklæringen på www.ruarkaudio.com/doc/MR1mk2doc.pdf

Spesifikasjoner

MR1 mk2 høyttalere

- Ruark 75mm neodym basshøyttalere
- Ruark 20mm diskant høyttaler med silkekuppel
- 20W Lineær forsterker
- Audio-grad crossover-komponenter
- Bluetooth: A2DP, aptX
- Strømforbruk:
10-12W typisk, 28W maks.,
0,5W standby
- 3,5mm jack analog aux.-inngang
- Toslink optisk digital inngang
- Fono sub-bassutgang
- Batteripakke-batterikompatibel
- Dimensjoner: 175 x 130 x 140mm
- Vekt: 1,3kg (H) 1,1kg (V)

Strømforsyning

- Inngangsspenning 100 til 240VAC
50-60Hz 1,0A maks.
- Utgangseffekt 14VDC 2,0A

Spesifikasjon og design kan endres uten forvarsel



Garantiinformasjon

Registrer produktet ditt for å få utvidet tre års garanti.

Som standard er dette produktet garantert fritt for mangler i en periode på to år fra kjøpsdato, men dette utvides til tre år hvis du registrerer produktet ditt på www.ruarkaudio.com. Denne garantien er fortsatt gyldig forutsatt at dette produktet er behandlet med omhu og oppmerksomhet. Produktsvikt ved utilsiktet skade, overdreven slitasje, uaktsomhet eller uautorisert modifisering vil annullere denne garantien. For produkter som er kjøpt utenfor Storbritannia garanterer distributøren i kjøpslandet produktet. For mer informasjon, vennligst kontakt den lokale Ruark-distributøren eller utsalgsstedet.

Hvis du returnerer dette produktet, må du forsikre deg om at det er pakket i originalemballasjen og at et kjøpsbevis er inkludert.

Denne garantien varierer eller fjerner på ingen måte kjøperens lovbestemte rettigheter.

Feil og mangler unntatt.



Generelt vedlikehold

- Rengjøres med en myk støvklut eller en lett fuktig klut. Ikke bruk voksspray eller andre stoffer som kan skade overflaten eller redusere ytelsen.
- Må ikke utsettes for direkte sollys, høy fuktighet, støv, kraftige vibrasjoner eller høye temperaturer. Dette kan påvirke enhetens utseende, ytelse og funksjon.
- Anbefalt brukstemperatur er fra 5 °C til 40 °C.
- Kabinetter av naturlig treverk kan variere i fargen over tid spesielt ved eksponering mot sollys.

Opphavsrett og varemerker

© Ruark Audio. Alle rettigheter forbeholdt. Ruark Audio, Ruark Audio-logoen og andre Ruark Audio-merker tilhører Ruark Audio og kan være registrert. Alle andre varemerker tilhører sine respektive eiere. Ruark Audio påtar seg intet ansvar for eventuelle feil som måtte forekomme i denne bruksanvisningen, og informasjonen i den kan endres uten ytterligere varsel. Bluetooth® og tilknyttede logoer er registrerte varemerker som eies av Bluetooth SIG, Inc. Qualcomm aptX er et produkt av Qualcomm Technologies International Ltd. Alle andre varemerker tilhører sine respektive eiere.

ruarkaudio

59 Tailors Court, Temple Farm Industrial Estate,
Southend on Sea, Essex, SS2 5TH, UK
www.ruarkaudio.com



20210122.1