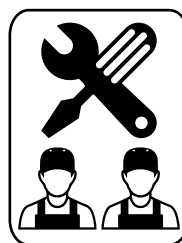
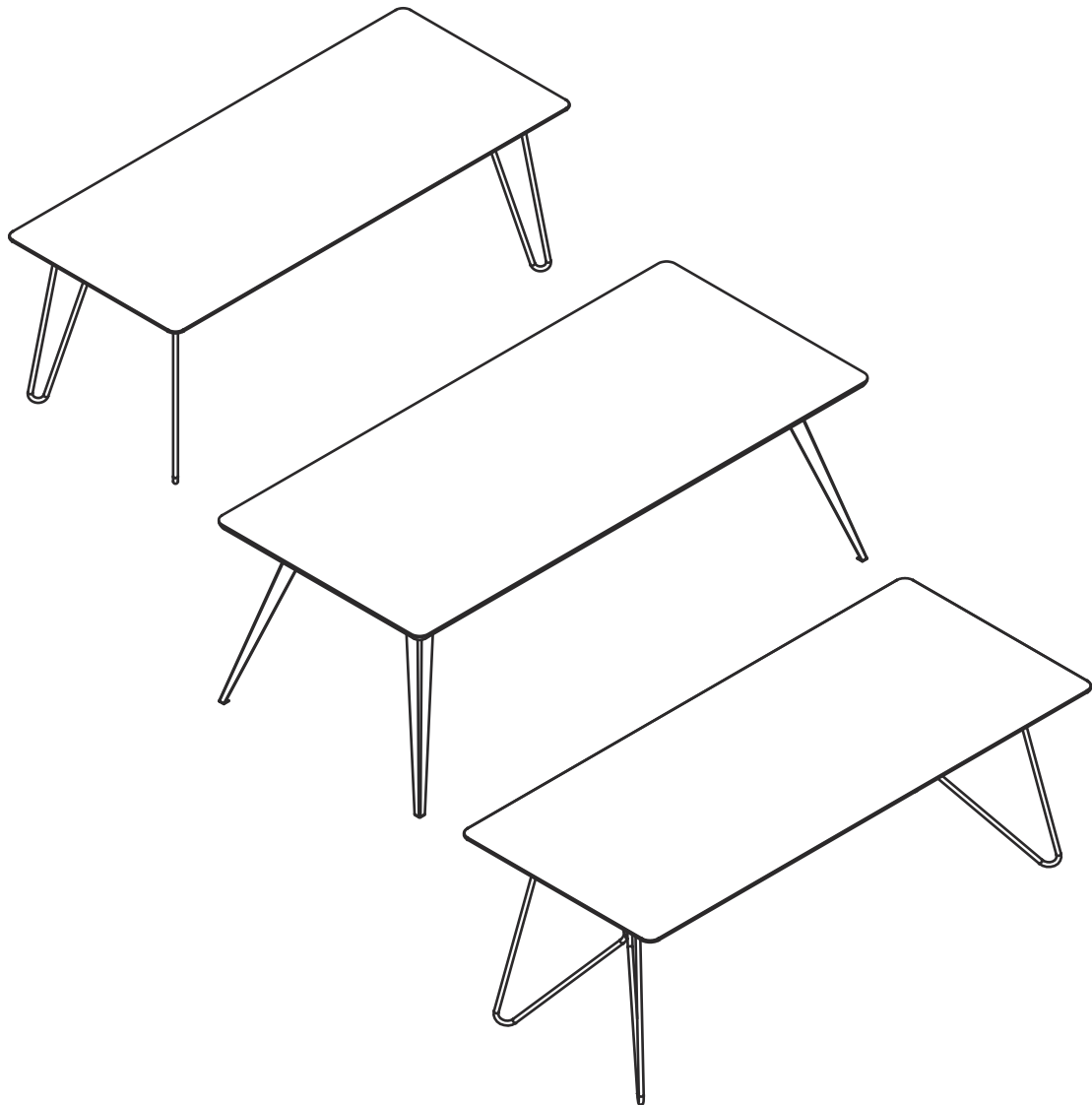


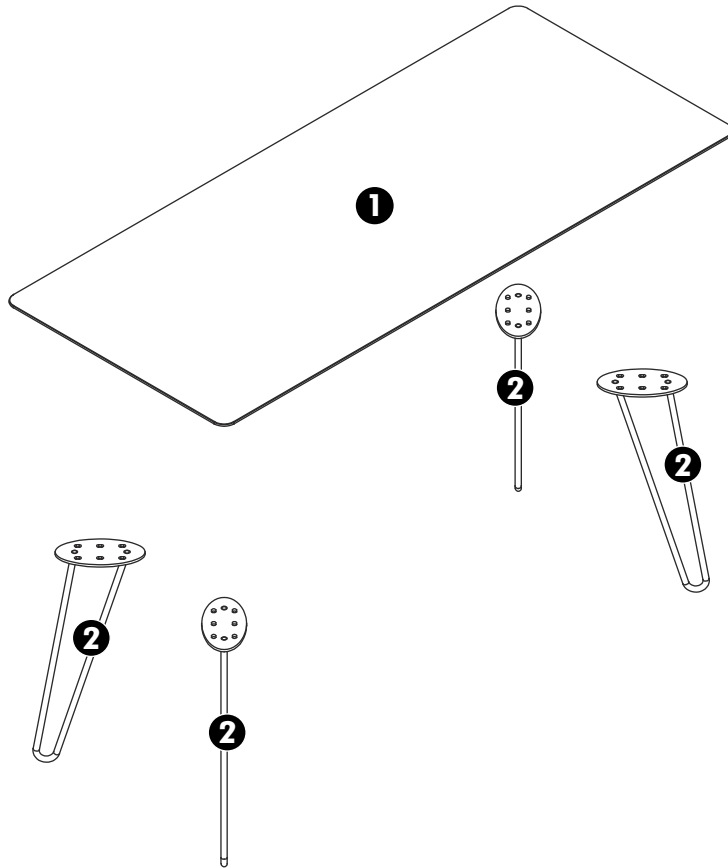
Assembly Instructions

You have decided to buy a product from our collection. We thank you for your trust and hope you are fully satisfied with your purchase. Please read the instructions carefully before use to ensure a safe and satisfactory operation of this product. If for any reason you encounter a problem when assembling this item, please call or go to your store to solve your problem.



EXPLODED VIEW

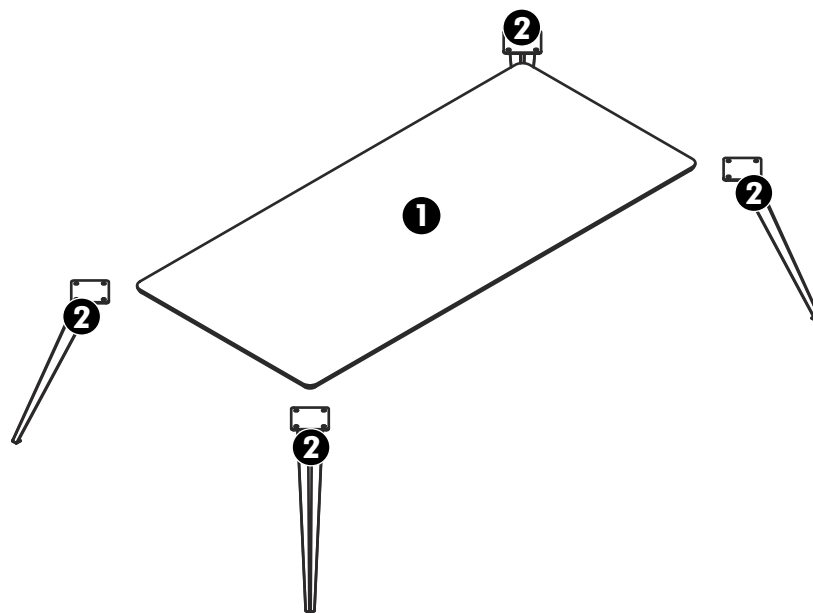
I



1 x 1

2 x 4

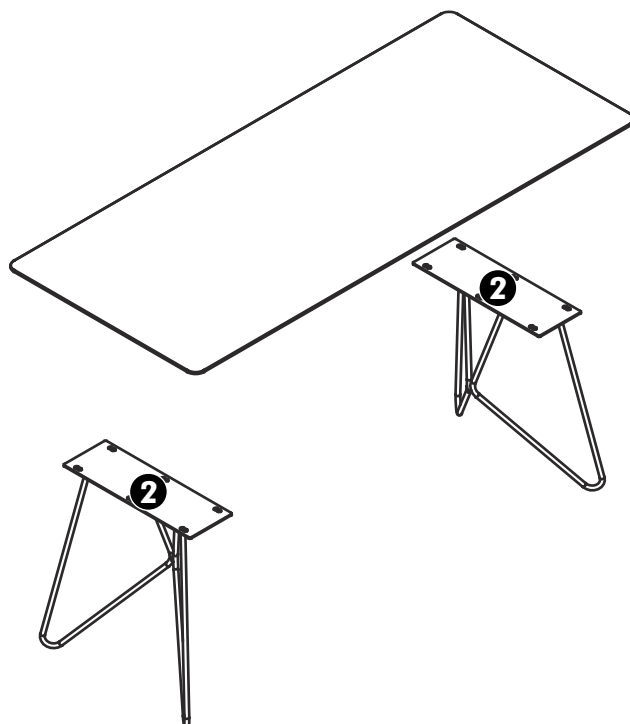
II



1 x 1

2 x 4

EXPLODED VIEW



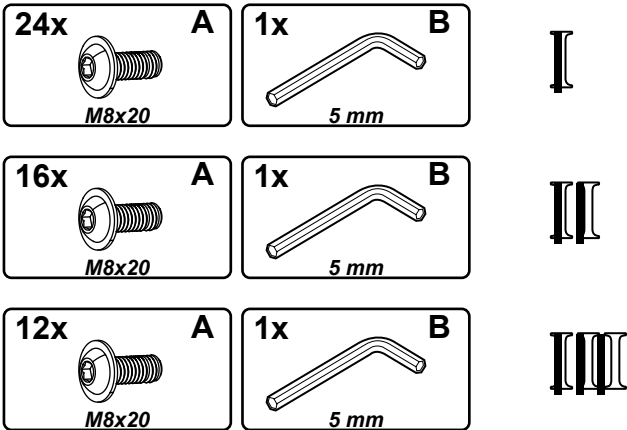
1 x 1

2 x 2

HARDWARE

Please check the contents of the package before attempting to assemble this product. A full checklist of components is given in this leaflet. If any components are missing, please contact the store you have purchased this product from. As you unpack and prepare for assembly, place the contents on a carpeted or padded area to protect it from damage. Never force the fittings. Take care when lifting to avoid personal injury and (or) damage to the product. After using the product for some time, please tighten the screws once in a while. Please keep these instructions for future reference.

The hardware pack contains SMALL ITEMS which should be KEPT AWAY FROM YOUNG CHILDREN.



TOOLS

No additional tools for the assembly of this product.

0 mm 10 20 30 40 50 60 70 80 90 100 110 120 130 140 150 160 170



I

24x

A



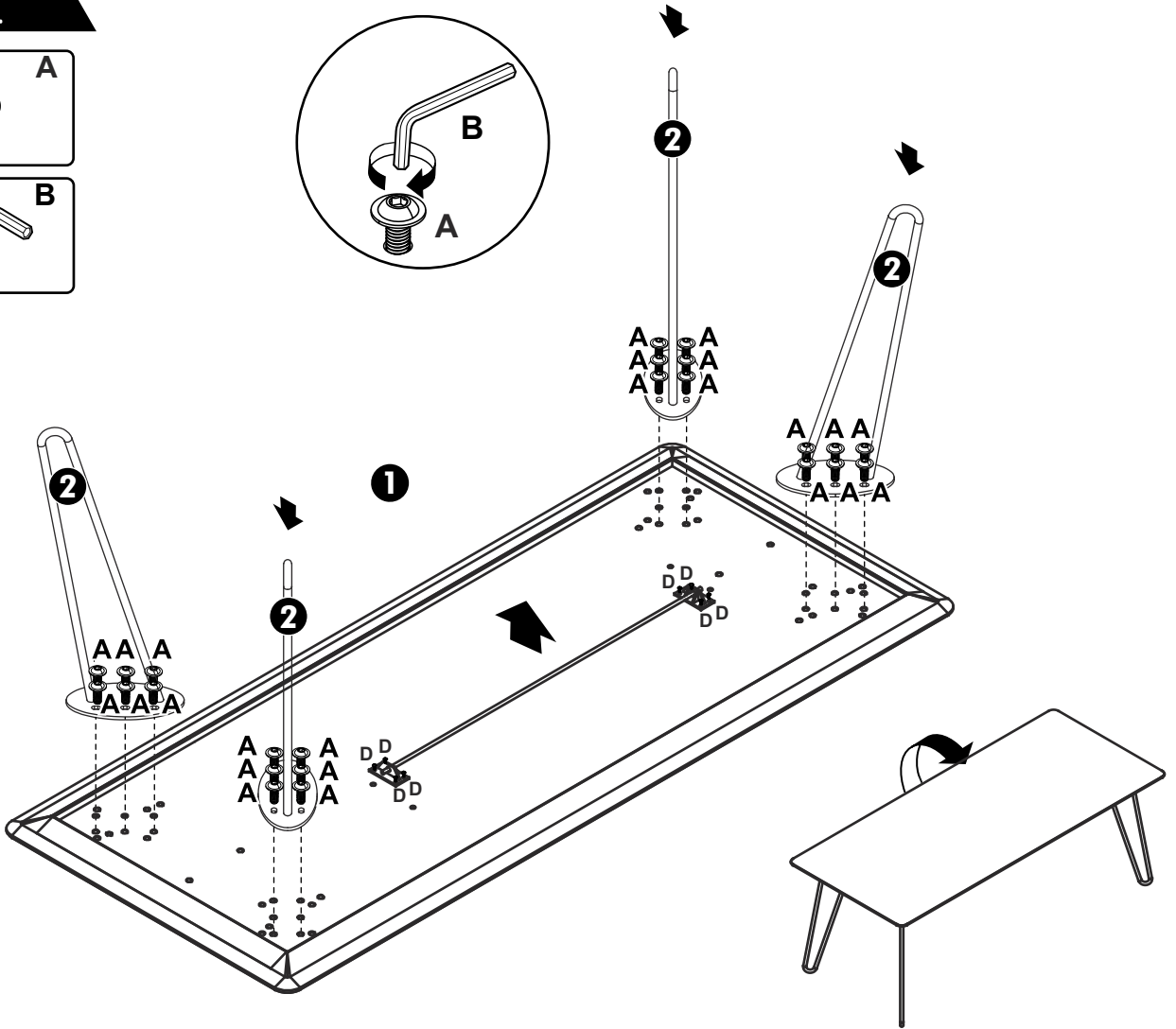
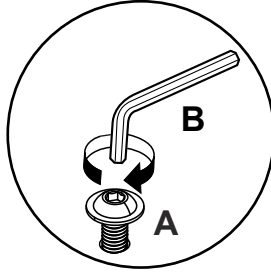
M8x20

1x

B



5 mm



II

16x

A



M8x20

1x

B



5 mm

