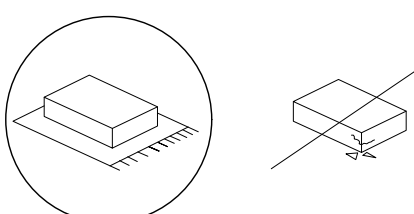

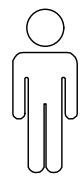
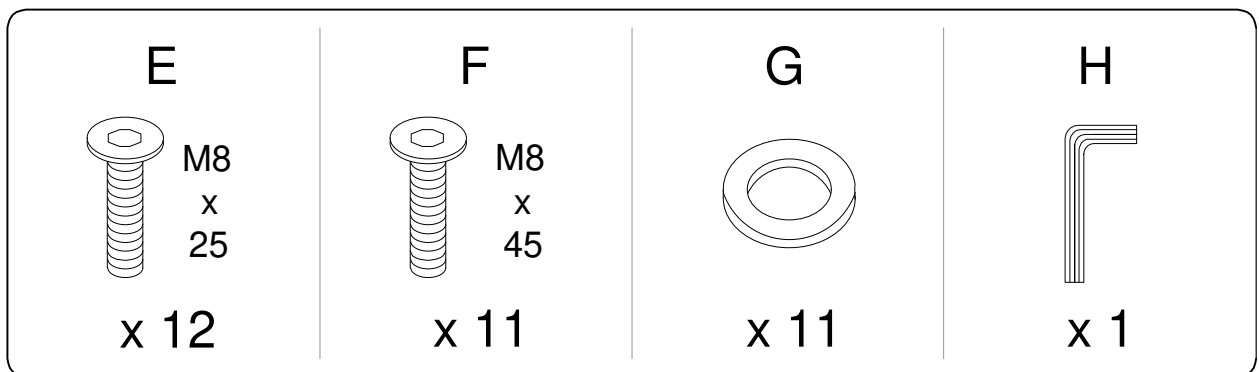
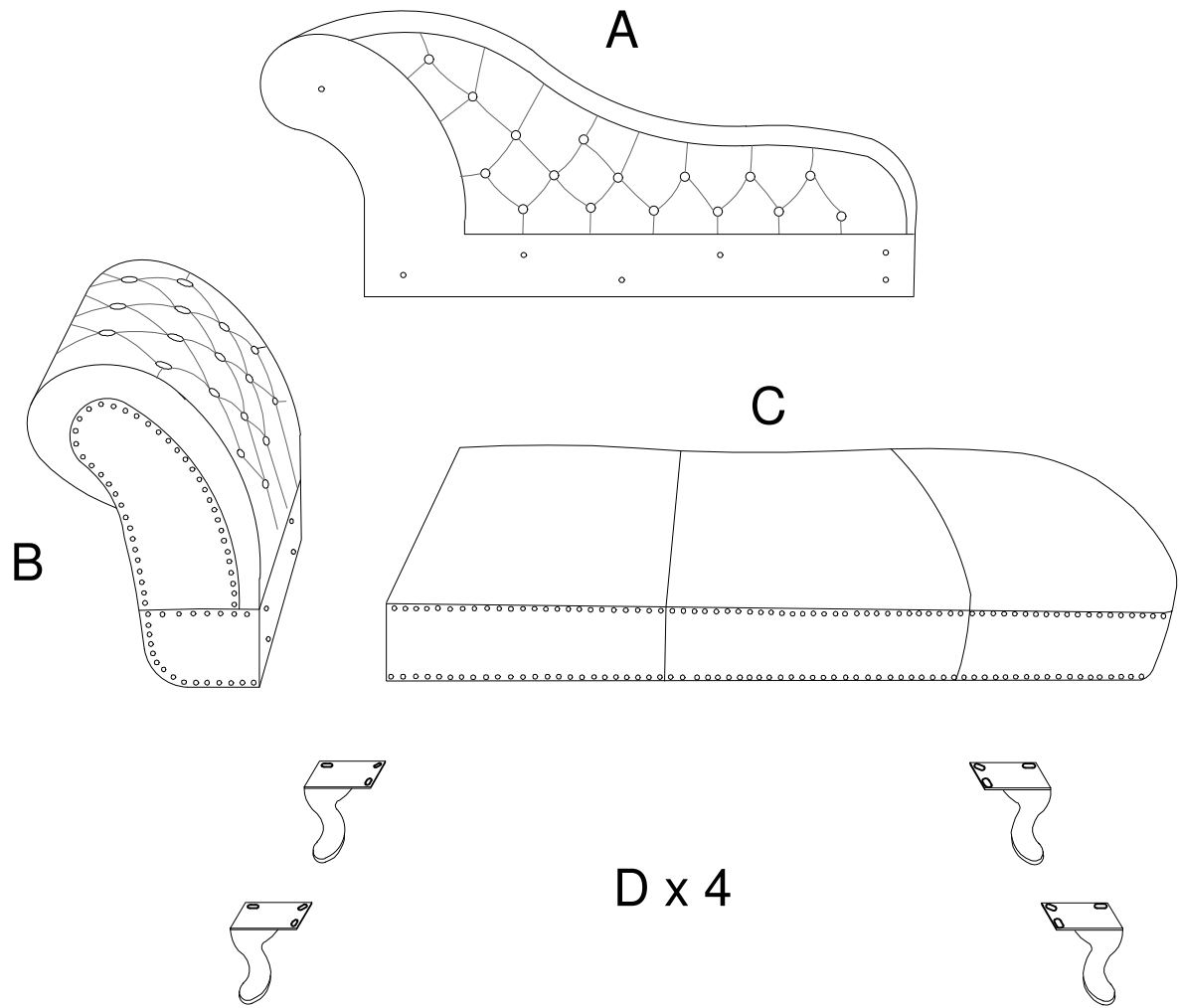
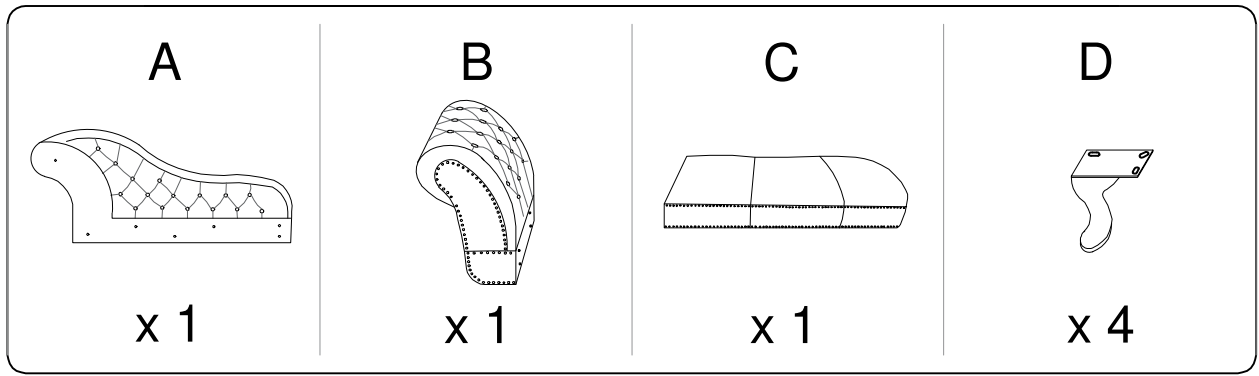
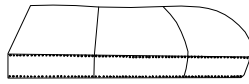

		60'
		
		2

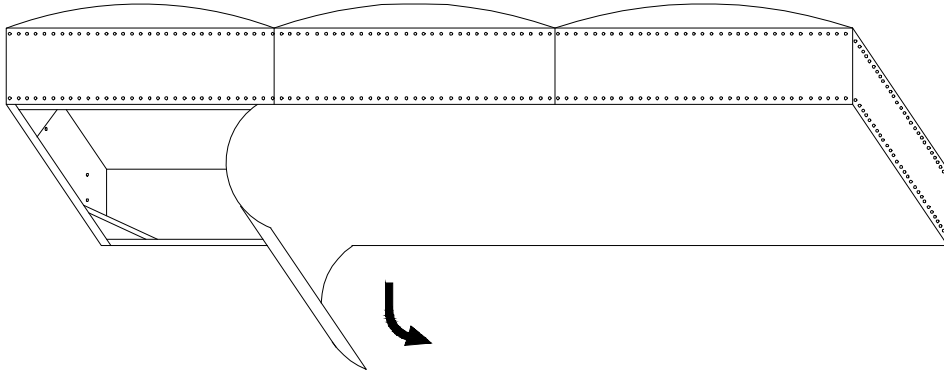


!

C

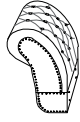


x 1



1

B



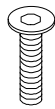
x 1

C



x 1

F



M8
x
45

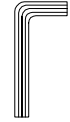
x 4

G

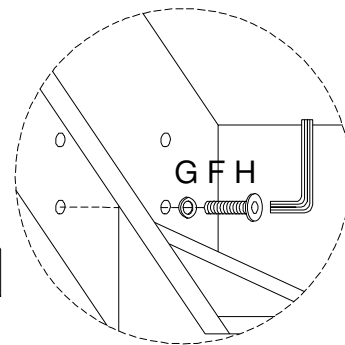
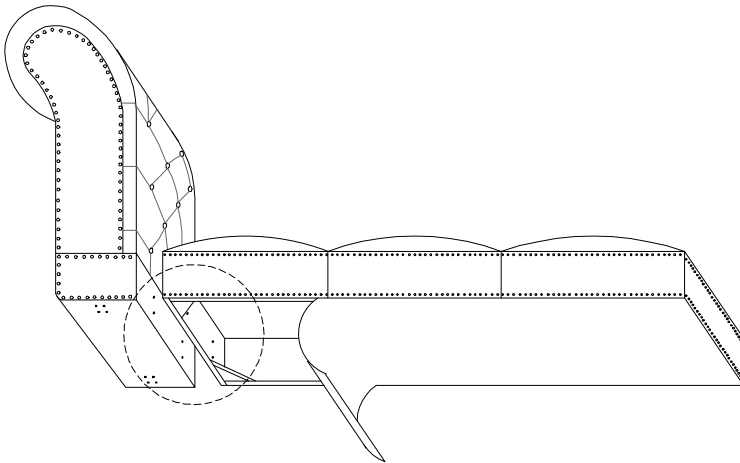


x 4

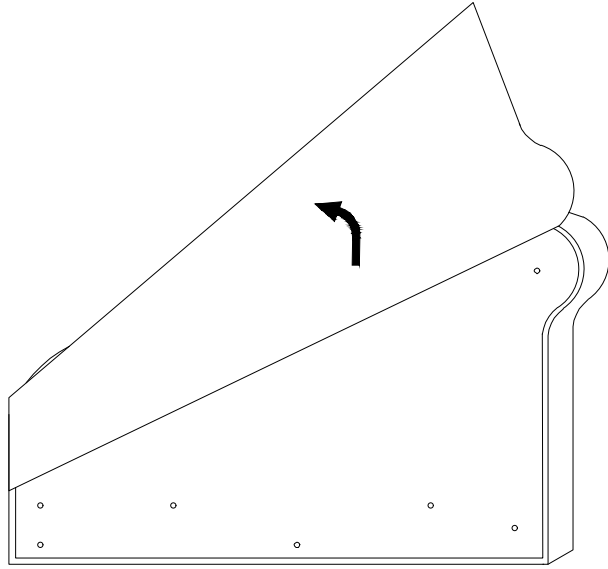
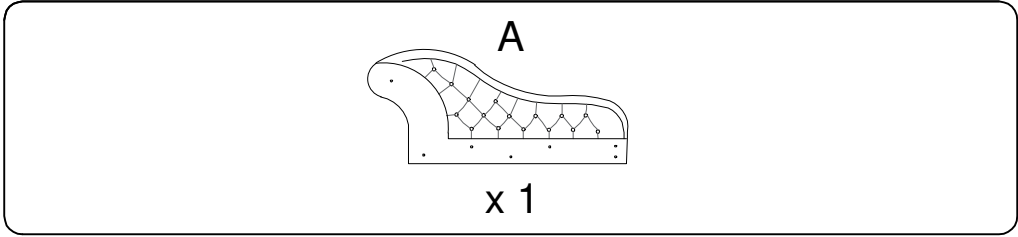
H



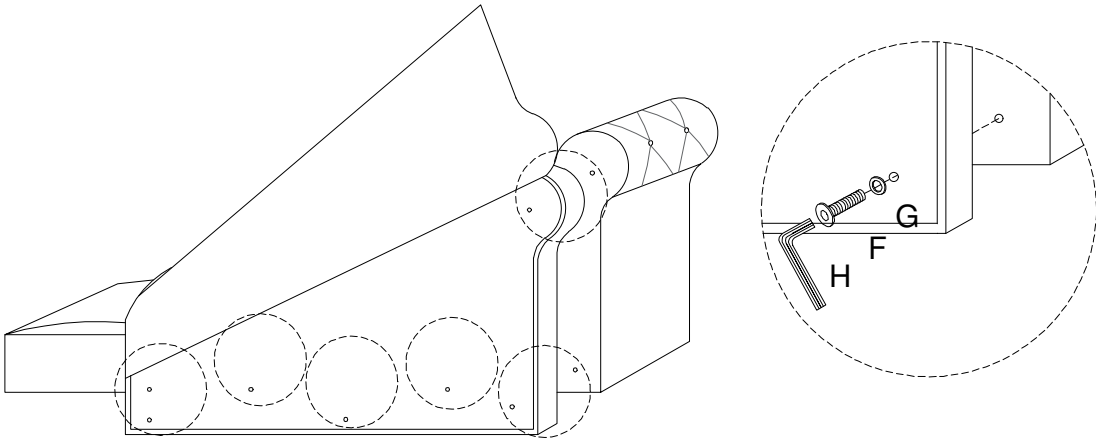
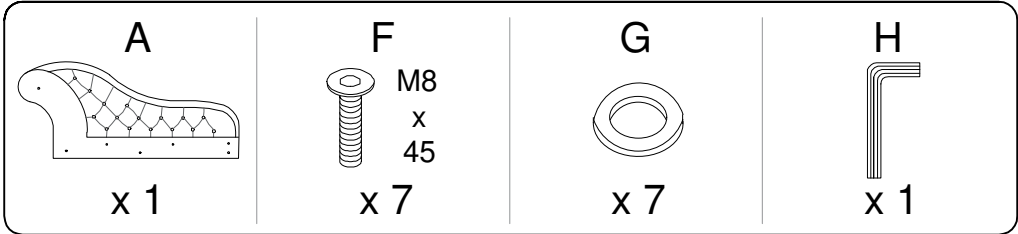
x 1



!



2



3

D



E

