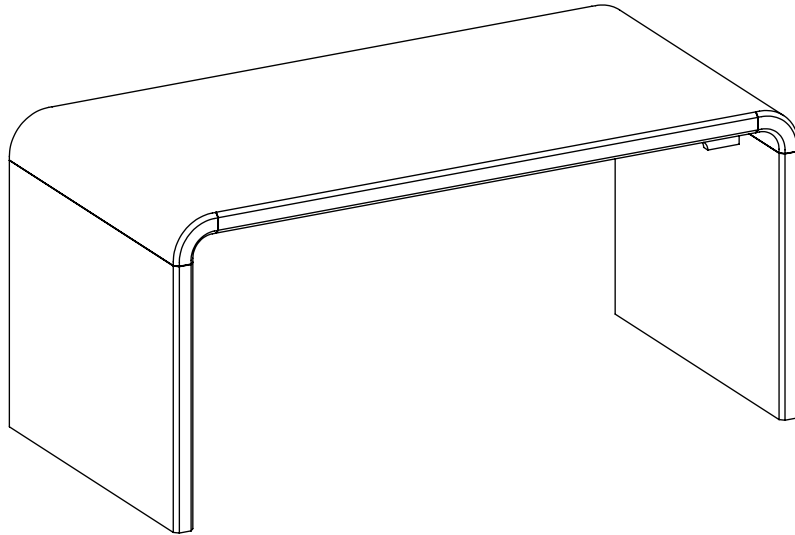


# ZUIVER<sup>o</sup>

---

Thank you for purchasing this Table Brave. Please read the instructions carefully before use to ensure safe and satisfactory operation of this product.

---



## Pre-assembly preparation

Please ensure instructions are read in full before attempting to assemble this product.

---

**People to assemble**



**Tools required**



Please check the pack contents before attempting to assemble this product. A full checklist of components is given in this leaflet. If any components are missing, please contact the retailer from whom you bought this product.

This product is **HEAVY**, it should be assembled as near as possible to the point of use. **TAKE CARE WHEN LIFTING** to avoid personal injury and (or) damage to the product.

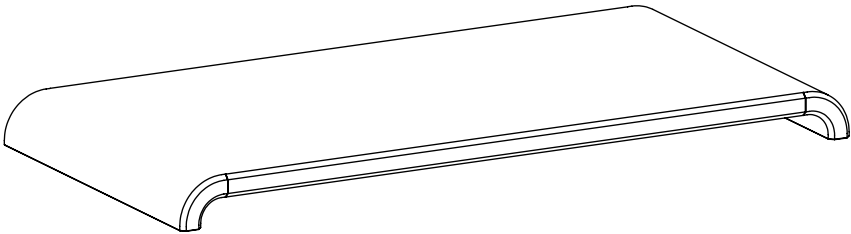
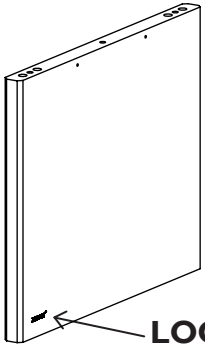
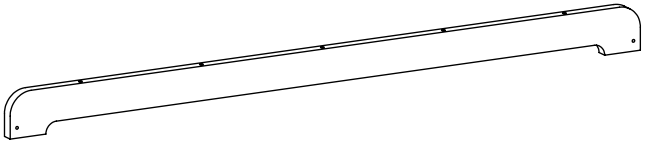
This product takes approximately **30 MINUTES** to assemble with **2 PEOPLE**.

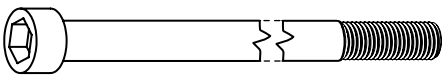
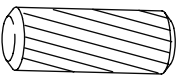
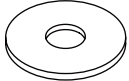


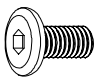

The fittings pack contains **SMALL ITEMS** which should be **KEPT AWAY FROM YOUNG CHILDREN**.

Read this leaflet in full before commencing assembly.

**PLEASE KEEP THESE INSTRUCTIONS FOR FUTURE REFERENCE**

# Fittings and parts checklist

Parts checklist				
1	Table top x1			
2	Left leg panel x1		3	Right leg panel x1
4	Support rail x2			

Fitting checklist				
A	Long bolt x6 M8x667mm			
B	Wooden dowel x8 Dia20x50mm		C	Spring washer x6 M8
D	Flat washer x6 Dia30x2mm		E	Allen key #5 x1
F	Felt pad x6 Dia40x2mm		G	Medium bolt x10 M6x80mm
H	Spring washer x18 M6		I	Small flat washer x18 Dia16x1.2mm
J	Short bolt x8 M6x20mm		K	Metal bracket x4 40x30x25mm
L	Allen key #4 x1			

# Step by step assembly instructions

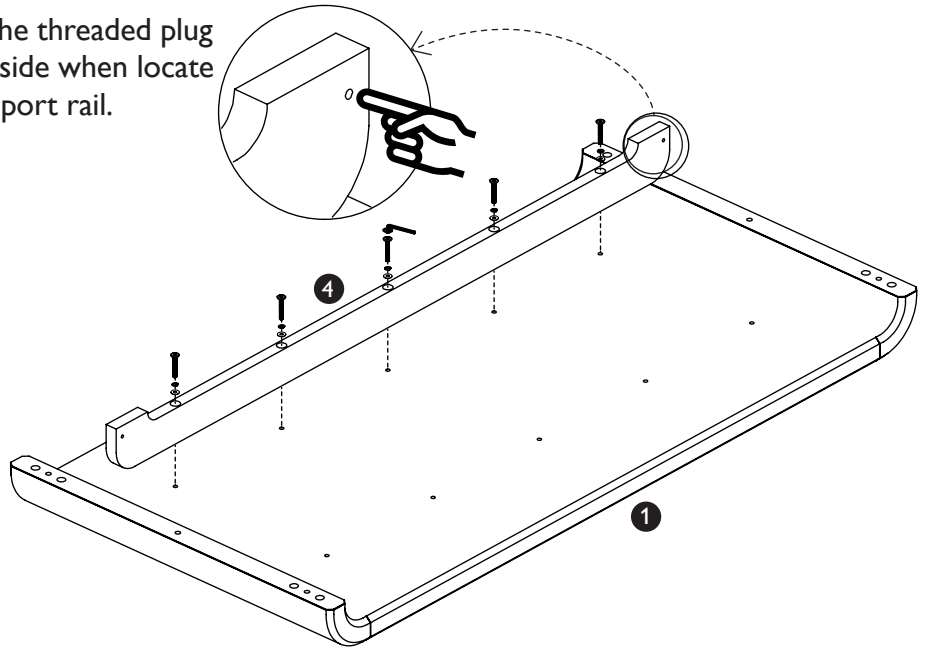
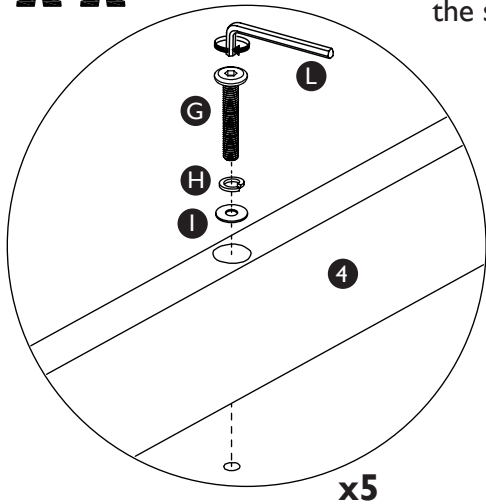
## Step 1

With 2 people, carefully place the table top (part 1) upside down on a soft, flat surface near where the unit will be used. Secure the support rail (part 4) using the medium bolt (part G) with spring washer (part H), small flat washer (part I) and the allen key (part L), as shown below.

Finally, repeat this process again to secure the remaining support rail to the other side of top panel.



Note: the threaded plug is on inside when locate the support rail.

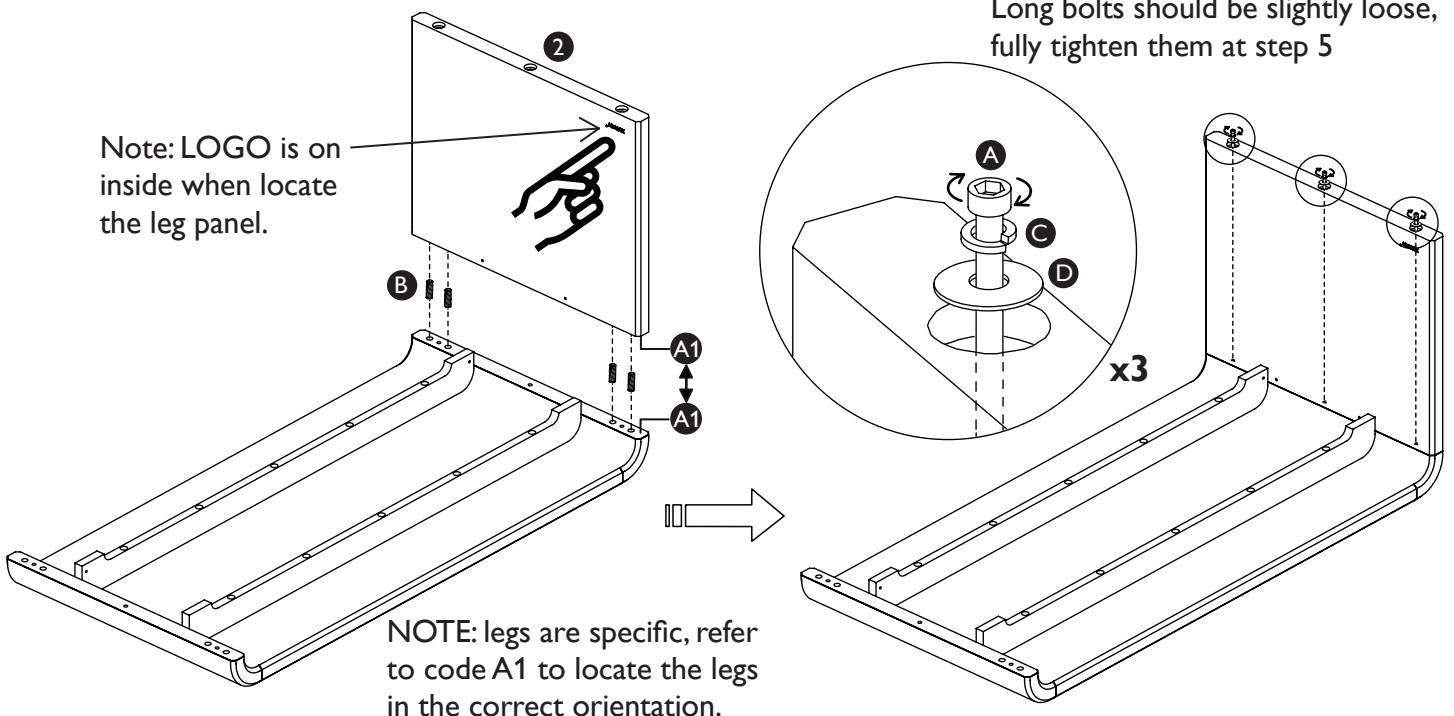


## Step 2

Locate the left leg panel (part 2) with 4x wooden dowels (part B) then screw in the long bolt (part A) with spring washer (part C) and flat washer (part D) by hand as shown below.

Long bolts should be slightly loose, fully tighten them at step 5

Note: LOGO is on inside when locate the leg panel.

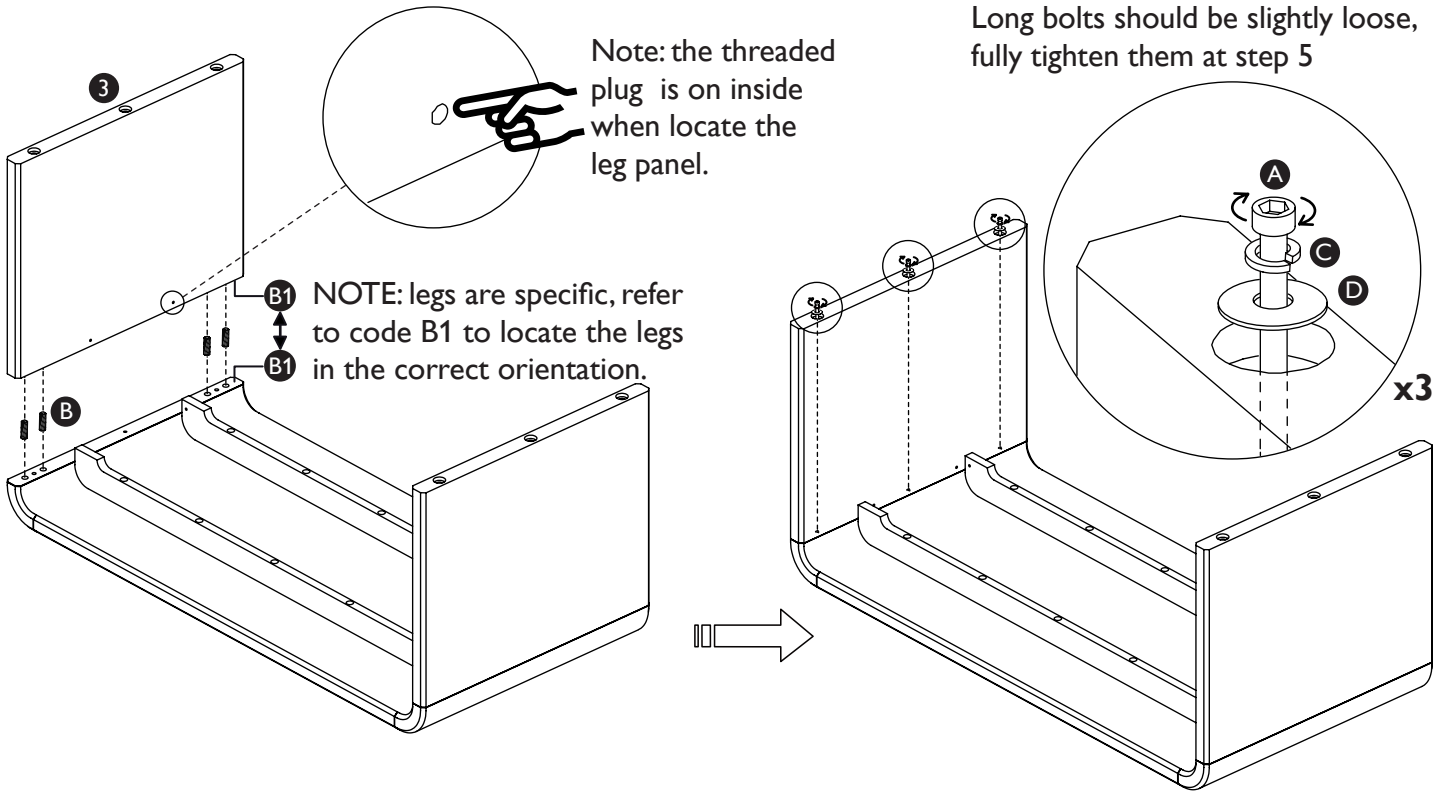


NOTE: legs are specific, refer to code A1 to locate the legs in the correct orientation.

# Step by step assembly instructions

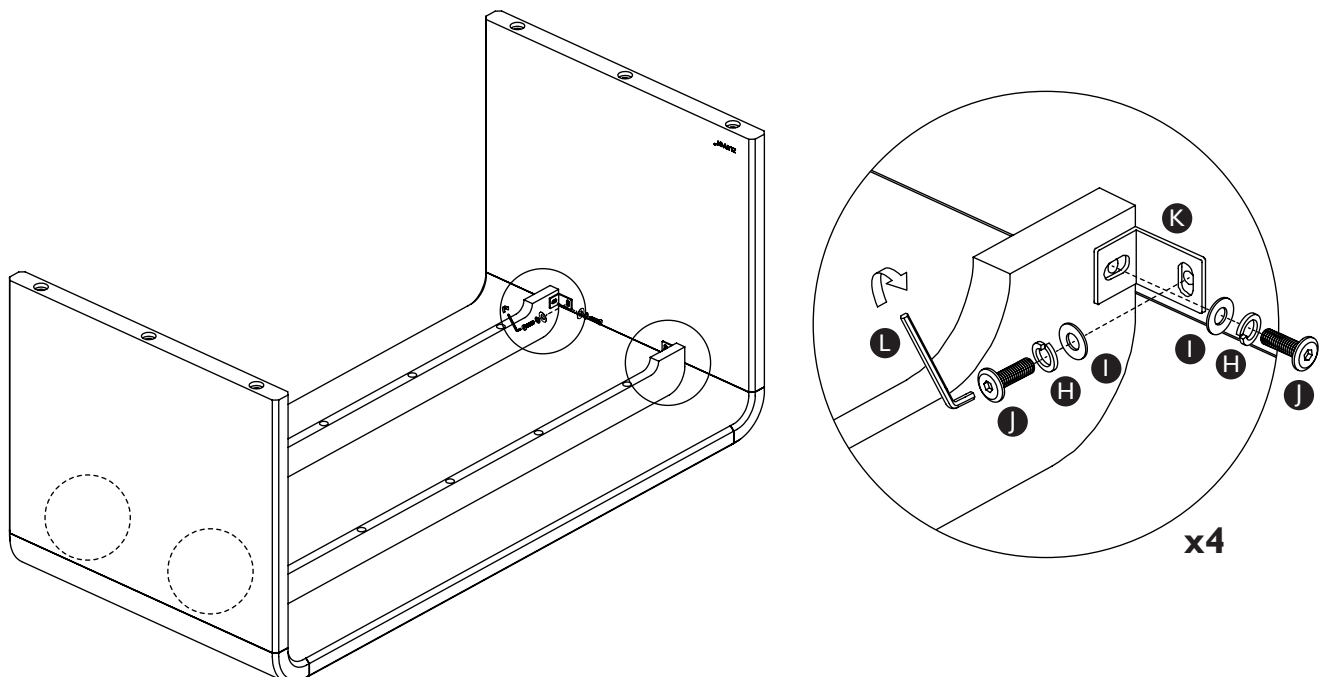
## Step 3

Locate the right leg panel (part 3) with 4x wooden dowels (part B) then screw in the long bolt (part A) with spring washer (part C) and flat washer (part D) by hand as shown below.



## Step 4

Locate the metal bracket (part K) and secure using the short bolt (part J) with spring washer (part H), small flat washer (part I) and the allen key (part L), as shown below.



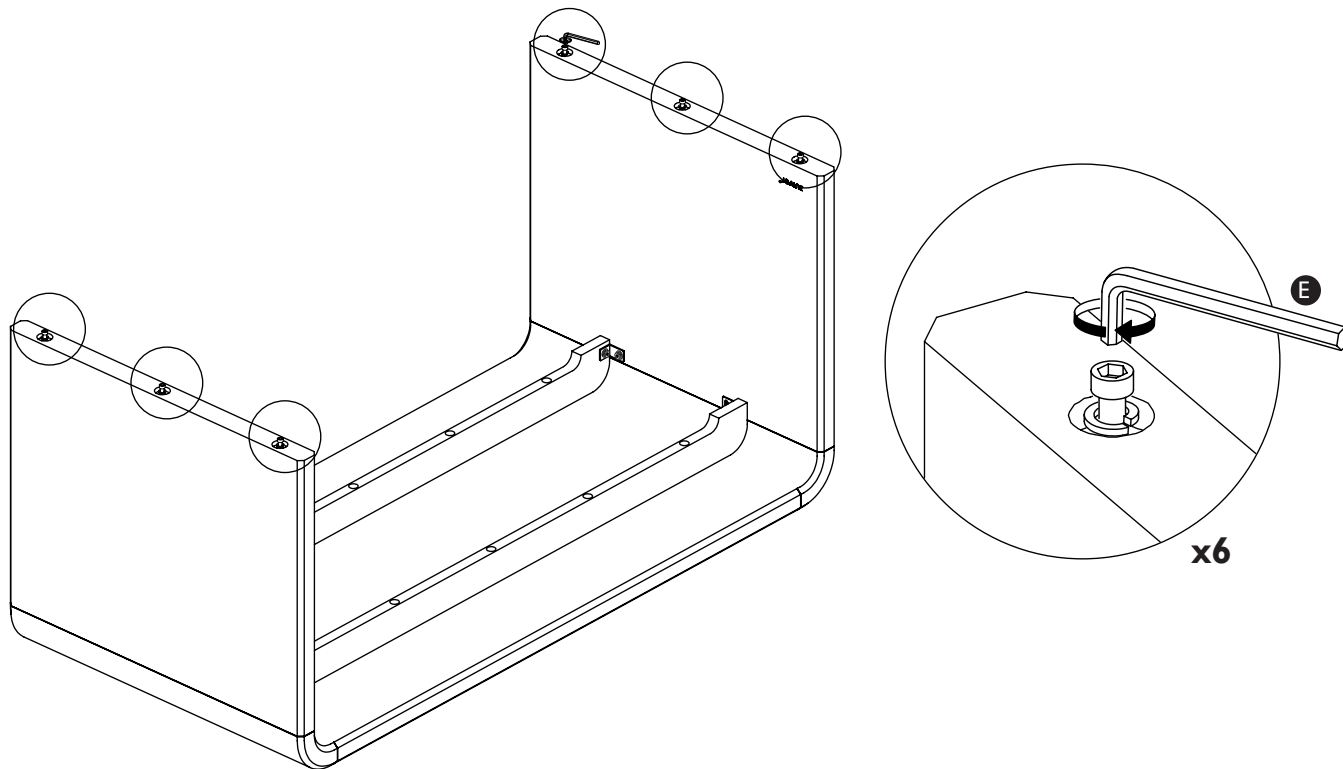
---

## Step by step assembly instructions

---

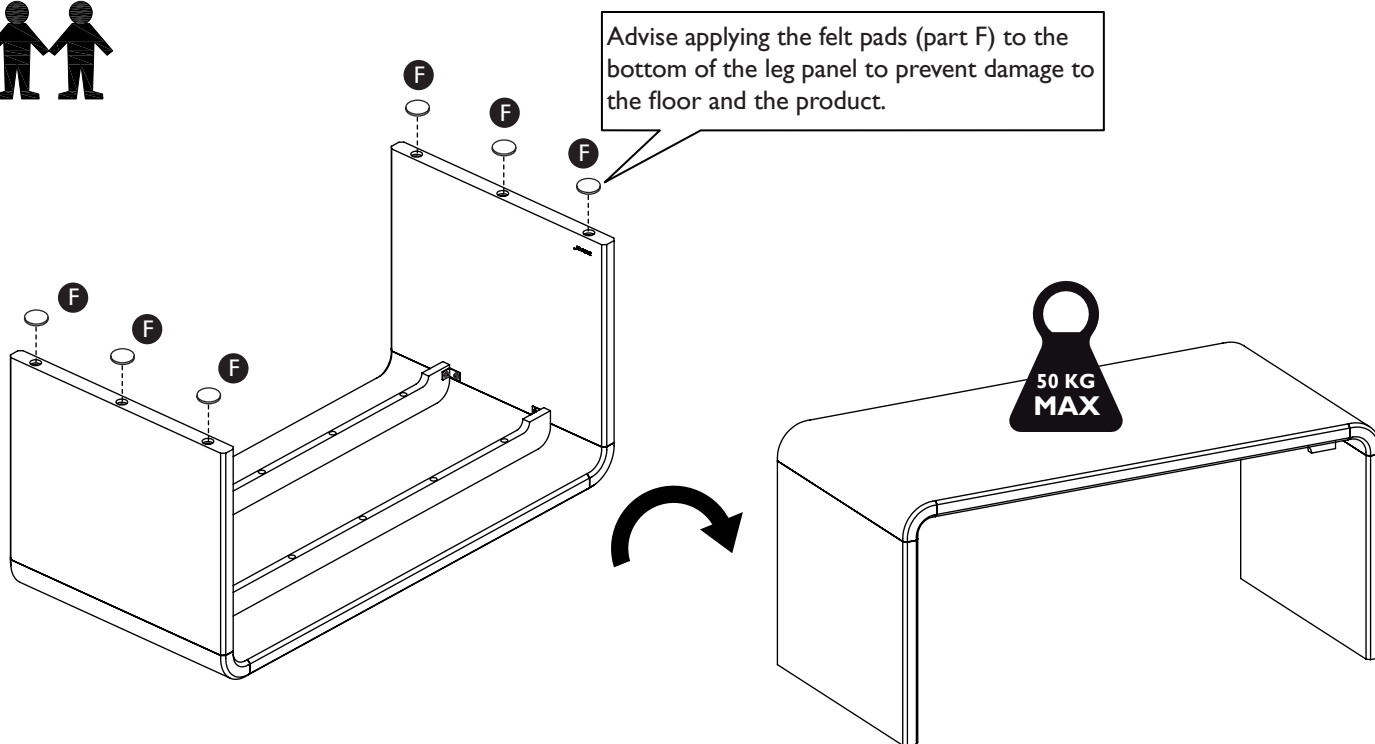
### Step 5

Fully tighten all the long bolts from steps 2 and 3 using the allen key (part E).



### Step 6

With 2 people, carefully turn the table over and place in position.



---

## Care and Maintenance

---

### Wood furniture

- Wood displays different grain patterns depending on which way they cut - for example, the 'medullary rays' which can appear as a mark of good quality timber - these are just characteristics of the natural beauty of the wood. Some furniture is also deliberately aged and rustic.
- Wood veneers also allow distinctive patterns to be created on flat surfaces, such as table tops and drawer fronts by the way the slivers are arranged.
- All timber surfaces will change colour and mellow over time. New furniture will initially vary in shade from items that have been previously purchased.

### How to care for your oiled wood furniture

Taking care of a wooden tabletop finished with oil is essential to maintain its beauty and durability. Oil finishes enhance the natural beauty of the wood and provide protection.

Here are some care instructions to ensure your tabletop remains in great condition:

- Wipe spills immediately with a clean, damp cloth to prevent stains or water rings. Do not leave liquids like red wine, coffee, acid juice etc. onto the tabletop, wipe this off promptly.
- Protect the surface from heat by using coasters or pads to protect the table from hot cookware and dishes.
- Use placemats or tablecloth to have an extra layer of protection against scratches.
- Be gentle when cleaning wood by using a well-wrung damp soft cloth. Dry the wood immediately.
- Don't use harsh or abrasive chemicals, polishes or sprays.
- Our furniture will endure most temperatures in the home but it is best to avoid placing furniture next to heat sources such as radiators or fires. Be particularly careful with solid wood as the lack of humidity caused by central heating can cause damage such as warping.

By following these care instructions, your oiled furniture piece should remain beautiful and functional for many years to come. Remember that regular maintenance is key to preserving the wood's natural beauty and integrity.

---

## Safety instructions

---

- Never drag furniture when moving it, always lift it.
- Do not sit or stand upon this product.
- Periodically check all fixings to ensure none have come loose and re-tighten where necessary.
- Please take care when handling or moving the furniture, careless handling may cause damage or injury.
- Furniture can be dangerous if incorrectly installed. Assembly should be carried out by a competent person. No liability will be accepted for damage or injury caused by incorrectly installed or assembled furniture.
- It is recommended that before moving heavy objects to a new location they are completely dis-assembled to avoid personal injury or damage to the furniture. Please be careful to retain all fittings when doing this.

### **PLEASE READ!**

**This veneered product top has a natural open grain oiled finish. Please read the care guide thoroughly. We recommend using mats and wiping up spilled liquids immediately.**

---

## Experiencing problems with your new product?

---

Before calling customer service, please have your item's batch code ready.

You can find the batch code on the back or bottom of your product as below shown.

**(example batch code: I90510)**

