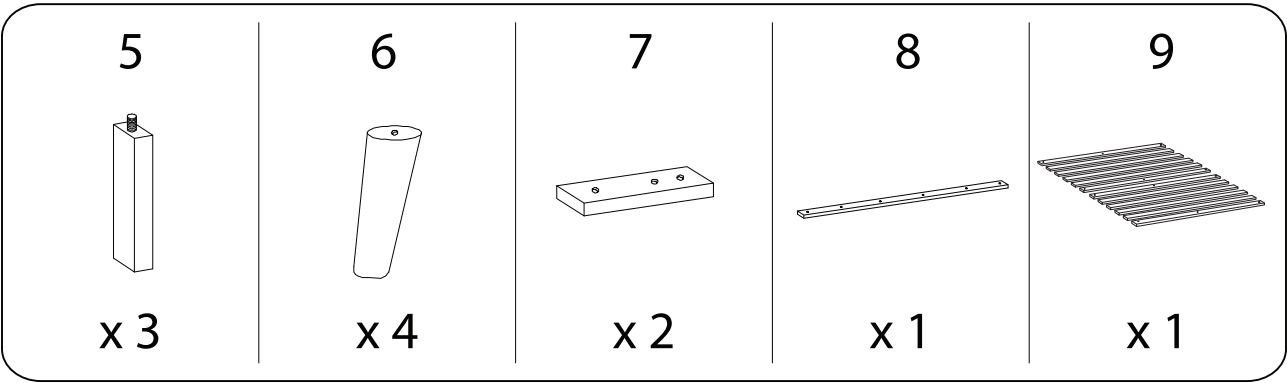
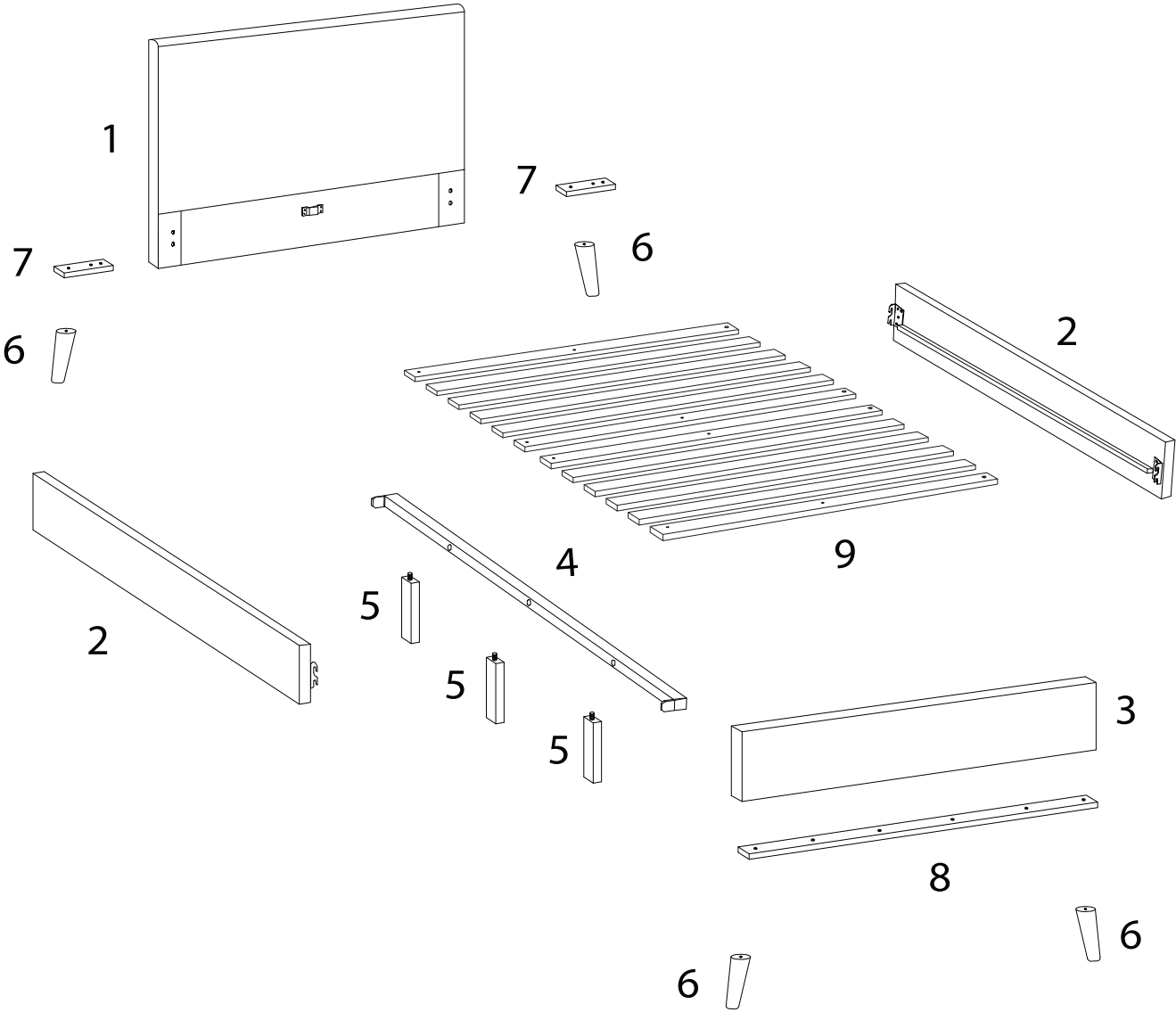
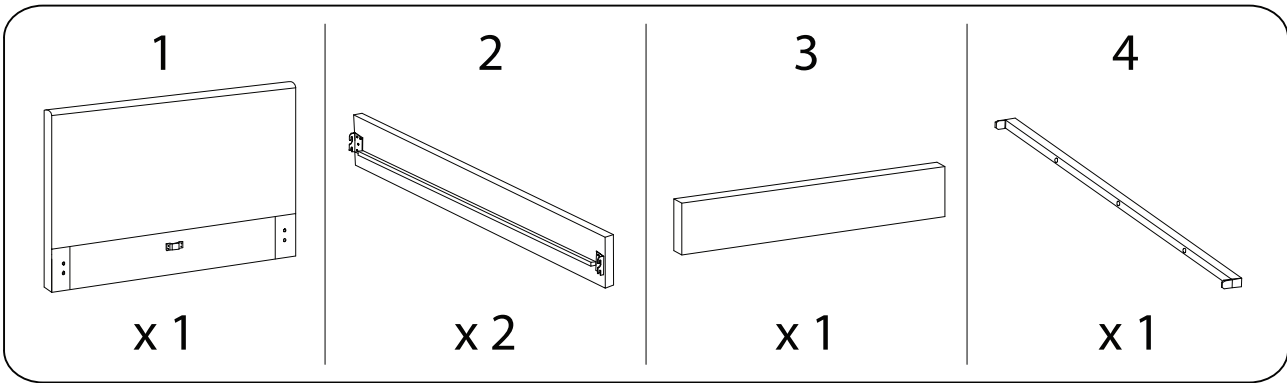
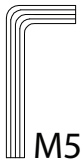


		<p>40'</p>
		<p>2</p>

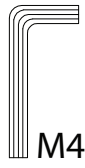


A



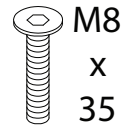
x 1

B



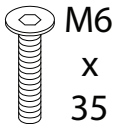
x 1

C



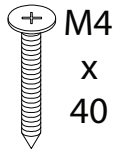
x 4

D



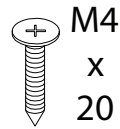
x 8

E



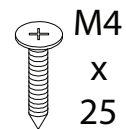
x 4

F



x 2

G



x 12

1

6



x 2

7



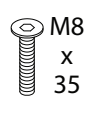
x 2

A



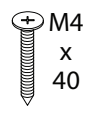
x 1

C

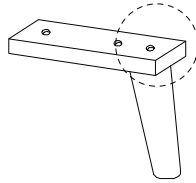
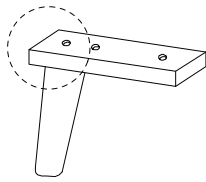


x 2

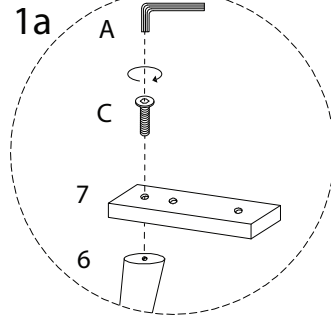
E



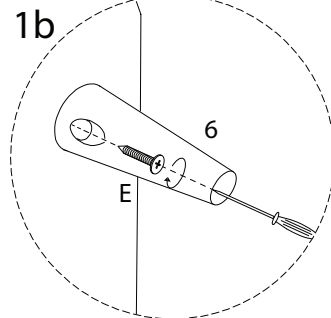
x 2



1a



1b



2

6



x 2

8



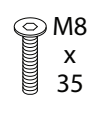
x 1

A



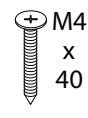
x 1

C

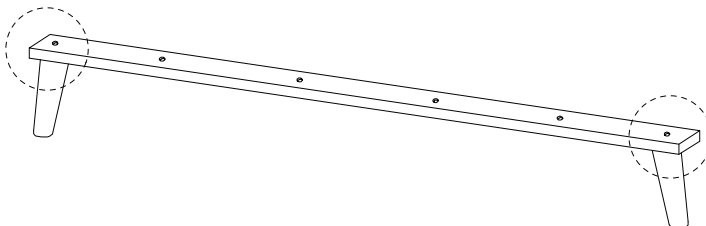


x 2

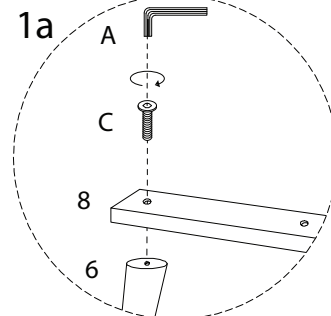
E



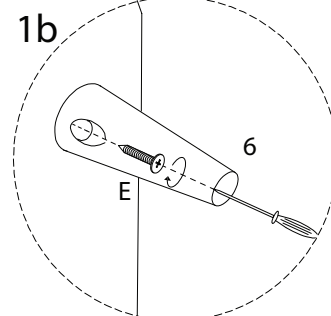
x 2



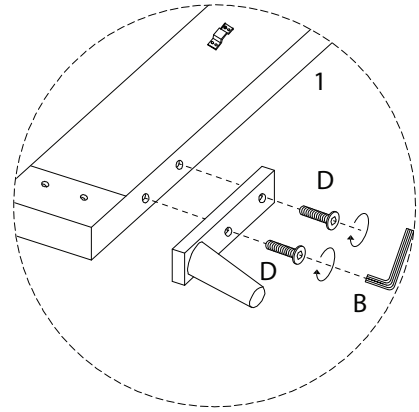
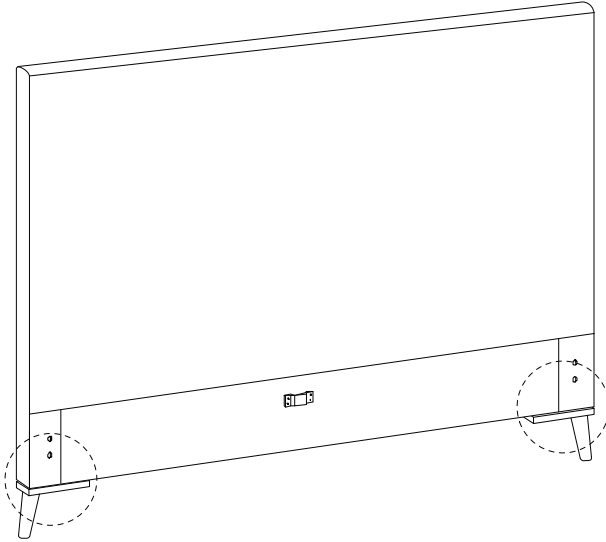
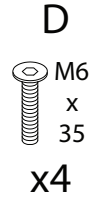
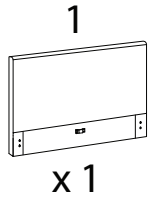
1a



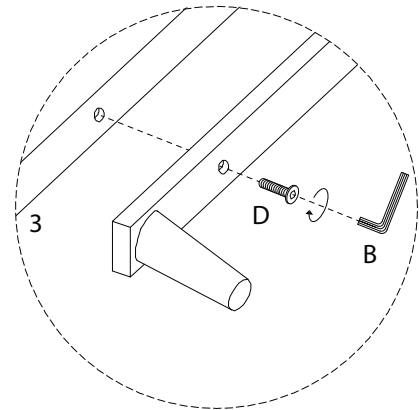
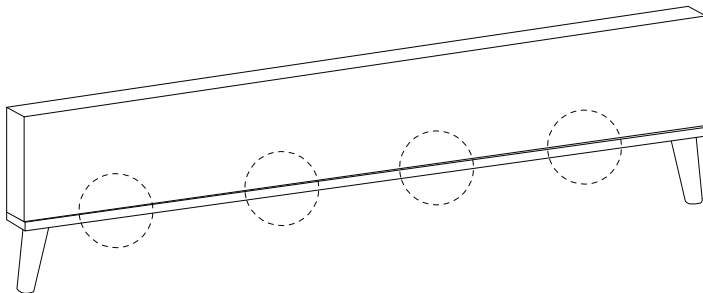
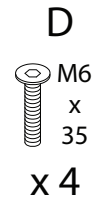
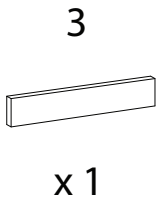
1b



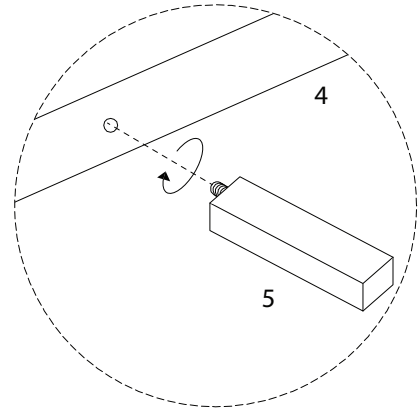
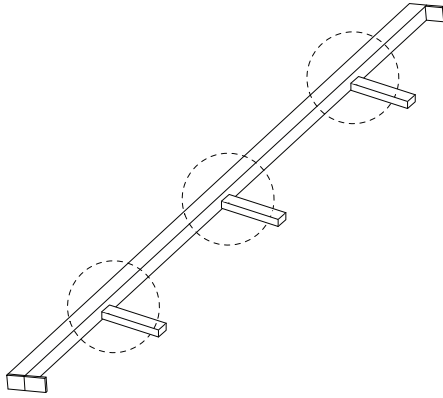
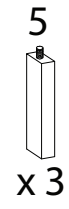
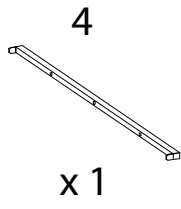
3



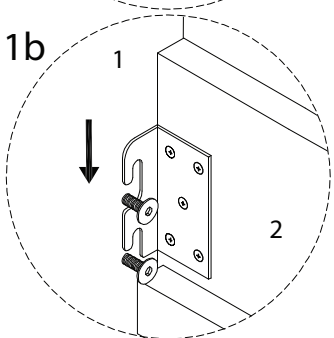
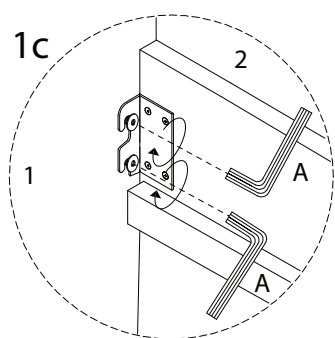
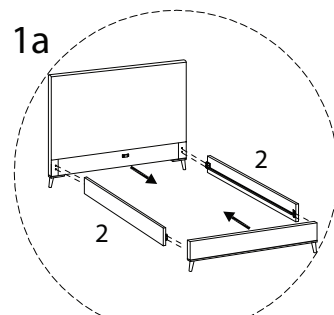
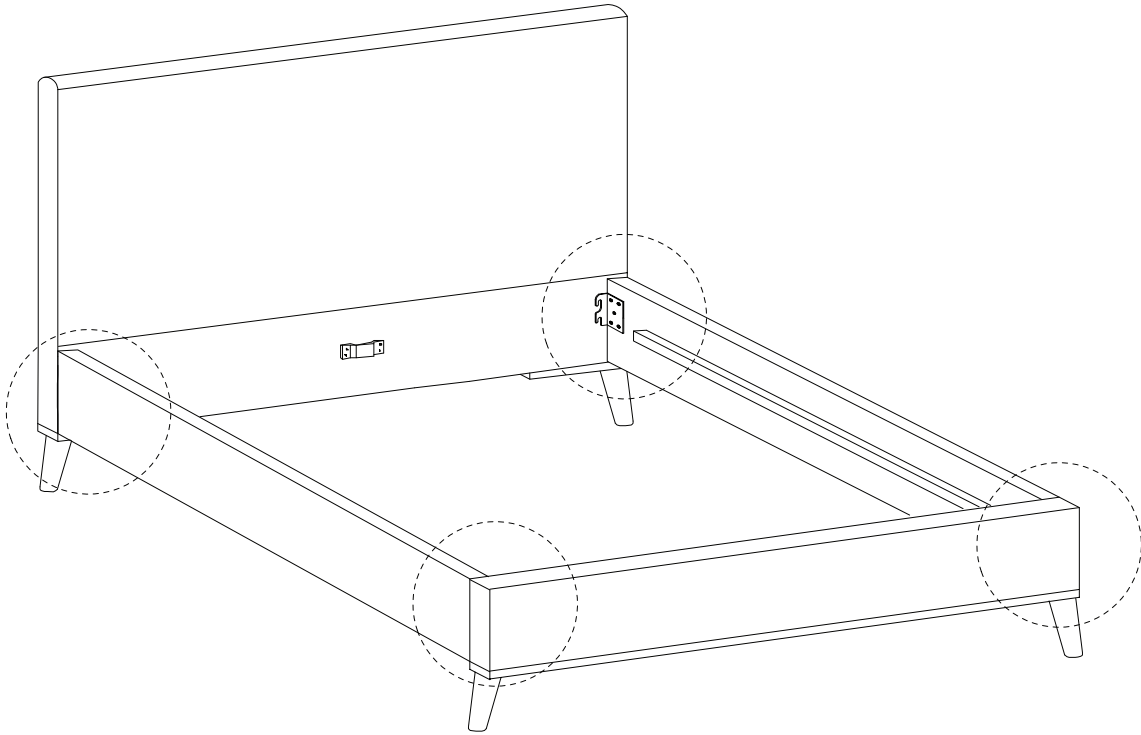
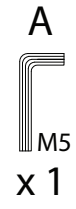
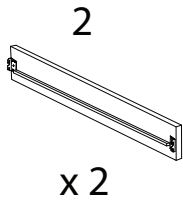
4



5

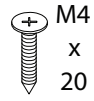


6

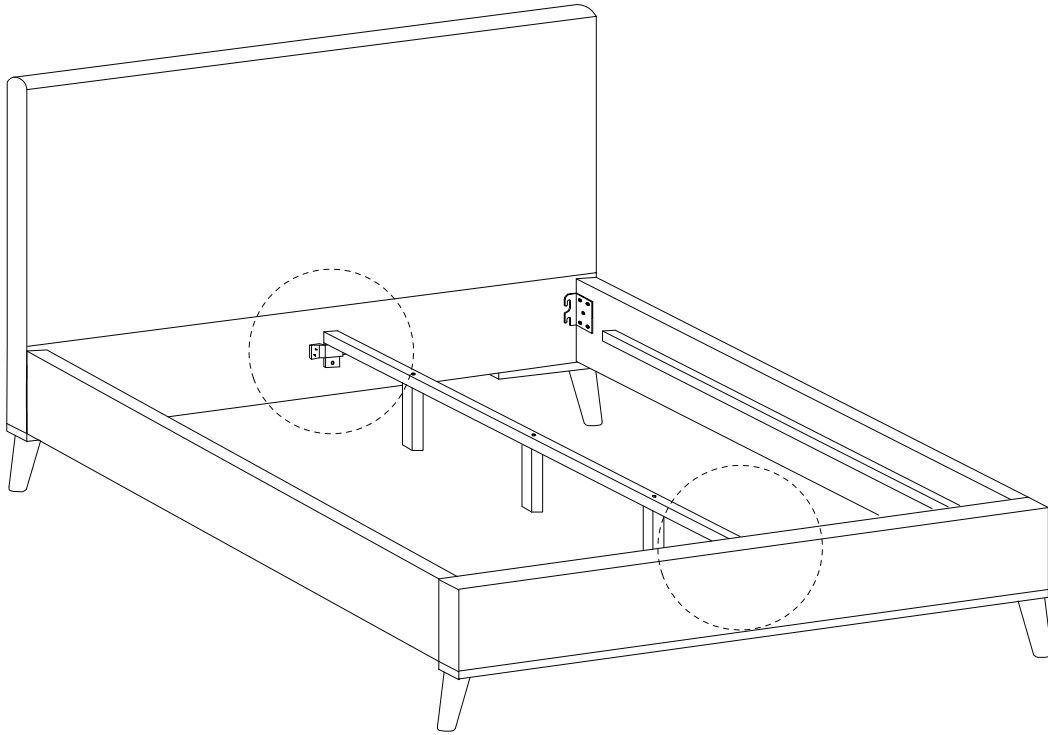


7

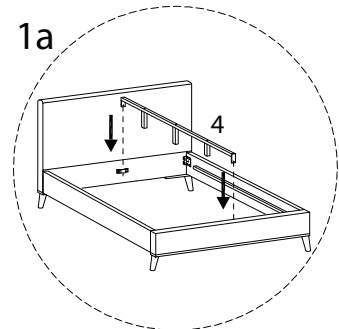
F



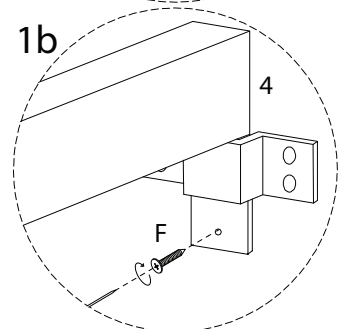
x 2



1a



1b





8

9



x 1

G



x 12

