

Trampoline / Trampolin / Trampoline /
Trampoline / Trampolín / Trampolino

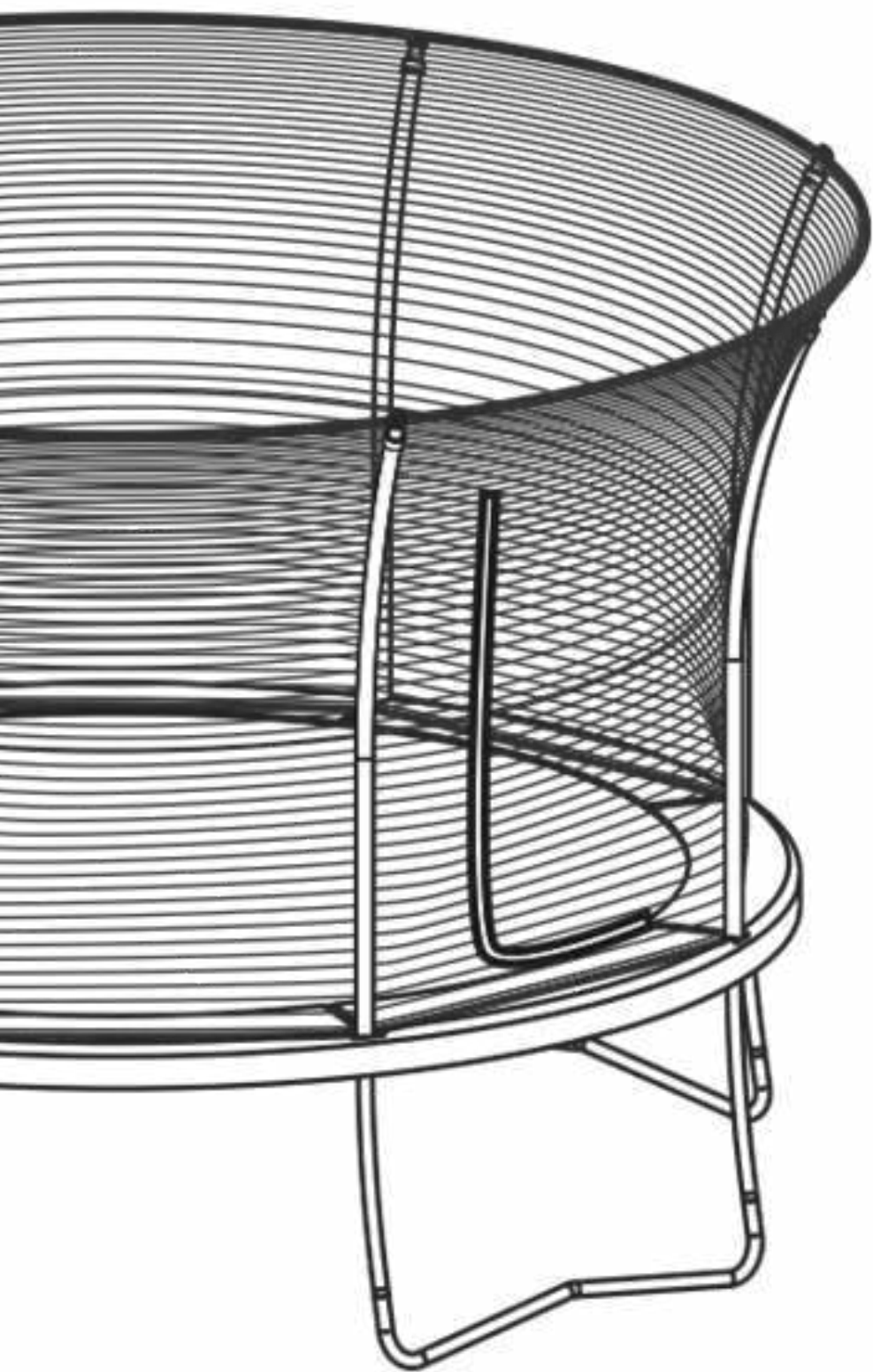


TRAMPOLINE & ENCLOSURE COMBO






Instruction Manual
Gebrauchsanweisung
Gebruikshandleiding
Mode D'emploi
Manual De Usuario
Istruzione Per L'uso

BY PRAGMA



TRAMPOLINE & ENCLOSURE COMBO



	ENGLISH	4.
	DEUTCH	15.
	NEDERLANDS	26.
	FRANÇAIS	37
	ESPAÑOL	48.
	ITALIANO	59.
		70.



TRAMPOLINE & ENCLOSURE COMBO



CHOKING HAZARD

Small parts. Not suitable for children under 6 years.

THE PRODUCT IS TO BE ASSEMBLED BY AN ADULT.

Potential hazard description, e.g. In unassembled state contain potentially hazardous sharp points, so please keep out of baby's reach.

Only for domestic use. Retain for future reference.

BOUNCE SAFELY ON YOUR TRAMPOLINE

BEFORE USING THIS TRAMPOLINE, PLEASE READ ALL INFORMATION PROVIDED IN THIS MANUAL CAREFULLY. TO REDUCE THE RISK OF INJURY, PLEASE FOLLOW APPROPRIATE SAFETY RULES AND TIPS.

- Inspect the trampoline before each use for wear and tear, loose or missing parts.
- Assembly, care and maintenance of product, safety tips, warnings, and proper techniques in jumping and bouncing are all included in this manual.
- All users and supervisors must read and familiarize themselves with these instructions.
- All users must be aware of their own limitations when performing jumps and bounces with this trampoline.
- For family domestic use only.
- The safety net shall be equipped if the length/diameter/diagonals of the frame greater than 2.5m

WARNING!

Misuse and abuse of this trampoline is dangerous and can cause serious injury or death



NO MORE THAN ONE PERSON AT A TIME ON THE TRAMPOLINE! MULTIPLE JUMPERS INCREASE THE RISK OF INJURY SUCH AS BROKEN NECK, LEG, BACK OR HEAD INJURY



DO NOT PERFORM SOMERSAULTS (FLIPS) AS THIS WILL INCREASE RISK OF LANDING ON HEAD OR NECK RESULTING IN INCREASED RISK OF SERIOUS INJURY OR DEATH

ADDITIONAL INFORMATION

Like any activity that puts your body in motion, tramp lining carries with it certain risks. To decrease the risk of injury. We recommend the use of an enclosure to prevent users falling off the trampoline. The enclosure should not be used to intentionally bounce off the sides. No device can completely guarantee your safety and safe play remains your responsibility, an enclosure substantially reduces the risk of injury. Never allow more than one person on the trampoline at a time. Do not attempt inverts, flips or somersaults. We also suggest use of an impact absorbing surface on the ground around the trampoline.

BY PRAGMA



WARNING!

JUMPERS & SUPERVISORS:

- Warning! No somersaults
- Warning! Outdoor use only
- Warning! Jump without shoes
- Warning! Always read instruction
- Warning! Adult supervision required
- Warning! Only one user, Collision hazard
- Warning! Do not exit by jump
- Warning! Do not eat while jumping
- Warning! Do not use the mat when it is wet
- Warning! Do not use in strong wind conditions
- Warning! Do not sink trampoline into the ground.
- Warning! Empty pockets and hands before jumping
- Warning! Always close the net opening before jumping
- Warning! Jump mat and/or Net should be replaced every year
- Warning! Limit the time of continuous usage (make regular stops)
- Warning! Always secure trampoline with tie down kit when in use
- Warning! Check that mat, padding and enclosure are without defects;
- Warning! Do not use trampoline if you have consumed alcohol or any drugs
- Warning! Always Jump in the middle of the mat conditions and secure the trampoline
- Warning! In certain countries during winter period, the snow load and the very low temperature can damage the trampoline.
It is recommended to remove the snow and store the mat and the enclosure indoor
- Warning! You should climb on and off in a controlled and careful manner. Never jump on or off the trampoline and never use the trampoline as a device to bounce onto or into another object.
- Warning! The trampoline shall be assembled by an adult in accordance with the assembly instructions and thereafter checked before the first use
- Warning! The maximum user weight is:

Round Trampoline		Oval Trampoline		Rectangle Trampoline	
<Ø8ft.(2.5M)	>Ø8ft.(2.5M)	<Ø438x310cm	>Ø360x264cm	<Ø432x303cm	>Ø318x212cm
50kg	100kg	120kg	100kg	120kg	100kg



WARNING!

1. **DO NOT** attempt or allow somersaults. Landing on the head or neck can cause serious injury, paralysis, or death, even when landing in the middle of the mat.
2. **DO NOT** allow more than one person on the trampoline at any one time. Use by more than one person at the same time can result in serious injuries.
3. Use the trampoline only with mature, adult knowledgeable supervision.
4. Trampolines over 20 in. (51cm) tall are not recommended for use by children under 6 years of age.
5. Inspect the trampoline before each use. Make sure the frame Pad is correctly and securely positioned. Replace any worn, defective, or missing parts.
6. Climb on and off the trampoline. Do not jump from the trampoline to the floor or ground when dismounting, or onto the trampoline when mounting. Do not use the trampoline as a springboard to other objects.
7. Stop bounce by flexing knees as feet come in contact with the trampoline mat. Learn this skill before attempting others.
8. Learn fundamental bounces and body positions thoroughly before trying more advanced maneuvers. A variety of trampoline maneuvers can be carried out by performing the basic fundamentals in different combinations, performing one fundamental after another, with or without feet bounces between them. Refer to the Bouncing Basic section in this manual.
9. Avoid bouncing too high. Stay low until bounce control and repeated landing in the center of the trampoline has been achieved. Control is more important than height.
10. While bouncing, keep head up and facing forward with eyes focused on the perimeter of the trampoline. This will help control balance.
11. Do not bounce when tired or for prolonged periods.
12. Secure the trampoline correctly when not in use and prevent unauthorized use. If a trampoline ladder is used, remove it from the trampoline when leaving the area to prevent unsupervised access by children under 6 years of age.
13. Maintain a clear area around the trampoline and remove objects which could obstruct the user.
14. Do not use the trampoline while under the influence of alcohol or drugs.
15. For information about skills & training, contact a certified trampoline instructor.
16. Bounce only when the mat is dry. The trampoline must not be used in windy conditions.
17. Read all instructions before using the trampoline. Warnings and instructions for the care, maintenance, and use of this trampoline are included to promote safe, enjoyable use of this equipment.
18. **DO NOT** wear hard-soled shoes as they cause excessive wear to the mat.
19. **DO NOT** wear jewelry, hooks, buttons, or other protrusions that might get caught on the mat.
20. Bounce in center of the mat.

INSTALLATION

1. Ensure adequate overhead clearance. A minimum of 26 feet (8 meters) from ground level is recommended. Provide clearance for wires, tree branches, and other possible hazards.
2. Ensure adequate lateral clearance. Place the trampoline away from walls, structures, fences, swimming pools, and other play areas. Maintain a clear space on all sides of the trampoline.
3. Place the trampoline on a level surface before use.
4. Use the trampoline in a well-lighted area. Artificial illumination may be required for shady areas.
5. Secure the trampoline in a safe place.
6. Remove any obstructions from beneath the trampoline.
7. The owner and supervisors of the trampoline are responsible to making all users aware of practices specified in the instructions.

TRAMPOLINE & ENCLOSURE COMBO



INTRODUCTION

Always consult a physician before performing any kind of physical activity

PLEASE RETAIN THIS INFORMATION FOR FUTURE REFERENCE

INFORMATION ON USE OF THE TRAMPOLINE

Initially, get accustomed to the feel and bounce of the trampoline. The focus must be on the fundamentals of your body position and you should practice each bounce (the basic bounces) until you can perform each with ease and control.

To brake a bounce, flex your knees sharply before your feet come in contact with them at. This technique should be practiced as you are learning each of the basic bounces. The skill of braking should be used whenever you lose balance or control of your jump.

Always learn the simplest bounce first and be consistent with the control of your bounce before moving on to more difficult and advanced bounces. A controlled bounce is when your take off point and landing point is the same spot on the mat. If you move up to the next bounce without first mastering the previous, you increase your risk of injury.

Do not bounce on the trampoline for extended periods of time as fatigue can increase your risk of injury. Bounce only for a brief period of time. Only one person should bounce on the trampoline at a time.

Jumpers should wear a t-shirt, shorts or sweats, and regulation gymnastics shoes, heavy socks, or be barefoot. If you are just beginning, you may want to wear long sleeve shirts and pants to protect against scrapes and abrasions until you master correct landing positions and form. Do not wear hard sole shoes, such as tennis shoes, on the trampoline as this will cause excessive wear on the mat.

You should always mount and dismount properly in order to avoid injury. To mount properly, you should place your hand on the frame and step or roll up onto the frame, over the springs, and onto the trampoline mat. Always remember to place your hands onto the frame while mounting or dismounting. Do not step directly onto the frame pad or grasp the frame pad. To dismount properly, move to the side of the trampoline and place your hand onto the frame as a support and step from the mat to the ground. Smaller children should be assisted when mounting and dismounting.

Do not bounce recklessly on the trampoline as this will increase your risk of injury. The key to safety and having fun on the trampoline is control and mastering the various bounces. Never try to out-bounce another bouncer in terms of height! Never use the trampoline without supervision.

ACCIDENT CLASSIFICATION

Mounting and Dismounting: Be very careful when getting on and off the trampoline. DO NOT mount the trampoline by grabbing the frame pad, by stepping onto the springs, or by jumping onto the mat from any surface (e.g. a deck, roof, or ladder) as this will increase your risk of injury. DO NOT dismount by jumping off the trampoline. If small children are playing on the trampoline, they may need help in mounting and dismounting.

Use of Alcohol or Drugs: DO NOT consume any alcohol or drugs before or while using this trampoline as this will impair your judgment, reaction time, and overall physical coordination.

Striking the Frame or Springs: When playing on the trampoline, STAY in the center of the mat. This will reduce your risk of injury from the frame or springs. Always keep the frame pad on the frame DO NOT jump or step onto the frame pad, it is not intended to support the weight of a person.

Loss of Control: DO NOT try difficult man oeuvres until you have mastered the Previous maneuver as this will increase your risk of injury. A controlled jump is when your take off Point and landing point is the same spot on the mat. If you lose control when you are jumping on the Trampoline, bend your knees sharply when you land and this will allow you to stop your jump and regain Control.

Somersaults (Flips): DO NOT PERFORM somersaults of any type (backwards or forwards) on this Trampoline as this will increase your risk of injury to your neck or back, which may Result in death or paralysis.

Foreign Objects: DO NOT use the trampoline if there are pets, other people, animals or any objects beneath, above or near the trampoline as this will increase the risk of an injury occurring. DO NOT Hold any foreign objects in your hand and DO NOT place any objects on the trampoline. Please be aware of what is overhead when you are using the trampoline. Tree branches, wires, or other objects located above the trampoline may result in injury.

Poor Maintenance of Trampoline: A trampoline in poor condition will increase your risk of injury. Please inspect the trampoline before each use for bent steel tubes, torn mat, loose or broken springs and overall stability of the trampoline.

Weather Conditions: Please be aware of the weather conditions when using the trampoline. Do not use trampoline if the mat is wet. Do not use the trampoline in windy conditions.

Limiting Access: When the trampoline is not in use, always store the access ladder in a secure place to prevent unauthorized and unsupervised access.

TRAMPOLINE & ENCLOSURE COMBO



TIPS TO REDUCE THE RISK OF ACCIDENTS

Jumper's role in accident prevention

Stay in control of your jumps. DO NOT move onto more complicated or more difficult man oeuvres until you have mastered the basic, fundamental bounce. Education is key to safety. Read, understand, and practice all safety Precautions and warnings prior to using the trampoline. A controlled jump is when you land and take off from the same point on the mat. For additional safety tips and instructions, contact a certified trampoline instructor.

- Always bounce at the center of the bed. Bouncing near the edge of the bed can lead to injury and can also stretch the springs. The frame pad is not designed nor intended to support the weight of the trampoline user. Do not step or jump directly onto the frame pad.
- Avoid bouncing too high. Stay low until you can control your bounce and land consistently in the middle of the bed.
- To regain control and stop your jump, bend your knees quickly when you land.
- Do not use the trampoline when under the influence of alcohol or drugs.
- Allow each jumper a brief turn on the trampoline. Extended bouncing exposes an over tired user to an increased risk of injury. Longer turns tend to lessen the interest of others waiting to jump.
- The trampoline mat is several feet from the ground. Jumping off the trampoline to the ground or any other surface may result in injury. Jumping onto the trampoline from a roof, deck, or other object also represents a risk of injury. Smaller children may need assistance getting up on or down from the trampoline. Mounting and dismounting properly should be a strict rule from the very beginning. Users should climb onto the trampoline by placing their hands on the frame and stepping or rolling up onto the frame, across the springs, and onto the mat (bed). Do not step directly on the frame pad or grasp the frame pad when mounting or dismounting the trampoline. Users should always place their hands on the frame while mounting or dismounting. To dismount, jumpers should walk to the side of the mat (bed), bend over and place one hand on the frame, then step from the mat to the ground.
- Injury may result from hitting the frame or falling through the springs while jumping or getting on or off the trampoline. Stay in the centre of the trampoline mat when jumping. **BE SURE TO KEEP THE FRAME PAD IN PLACE TO COVER THE FRAME AT ALL TIMES.** The frame pad is not designed nor intended to support the weight of the trampoline user. Do not step or jump directly onto the frame pad.

TRAMPOLINE & ENCLOSURE COMBO



Supervisor's Role in Accident Prevention

Supervisors must understand and enforce all safety rules and guidelines. It is the responsibility of the supervisor to provide knowledgeable advice and guidance to all jumpers. If supervision is unavailable or inadequate, the trampoline should be disassembled and stored in a secure place to prevent unauthorized use. The supervisor is also responsible to ensure that the safety placard is placed on the trampoline and that jumpers are informed of these warnings and instructions.

TRAMPOLINE SAFETY INSTRUCTIONS

JUMPERS:

- Do not use trampoline while under the influence of alcohol or any drugs.
- Remove all hard sharp objects from your person before using trampoline.
- Climb on and off in a controlled and careful manner. Do not jump on or off the trampoline and never use the trampoline as a device to bounce onto or into another object.
- Learn the basic bounce and master each type of bounce before trying more difficult types bounces. Review the Basic Skills Section to learn how the basics.
- To stop your bounce, flex your knees as feet come in contact with mat.
- Always be in control when you are bouncing on the trampoline. A controlled jump is when you land at the same point you took off from. If at any time you feel out of control, stop.
- Do not jump or bounce for prolonged periods of time.
- Keep your eyes on the mat to maintain control. If you do not, you could lose balance or control
- Never more than 1 person on the trampoline at any time
- Always use trampoline under adult supervision.
- Adults must assemble this trampoline.
- No modification should be carried out to the trampoline or any of its components. Any modification could lead to damage to the product or to personal injury.

SUPERVISORS

- Educate yourself about the basic jumps and safety rules. Enforce all safety rules and ensure that new jumpers learn the basic bounces before trying more difficult and advanced jumps.
- All jumpers need to be supervised, regardless of skill level or age.
- Never use the trampoline when it is wet, damaged, dirty, or worn. The trampoline should be inspected before any jumpers start bouncing on it.
- Keep all objects that could obstruct the jumper away from the trampoline. Be aware of what is overhead, underneath, and around the trampoline.
- Prevent unsupervised and unauthorized use. Trampoline should be secured when not in use.

TRAMPOLINE PLACEMENT

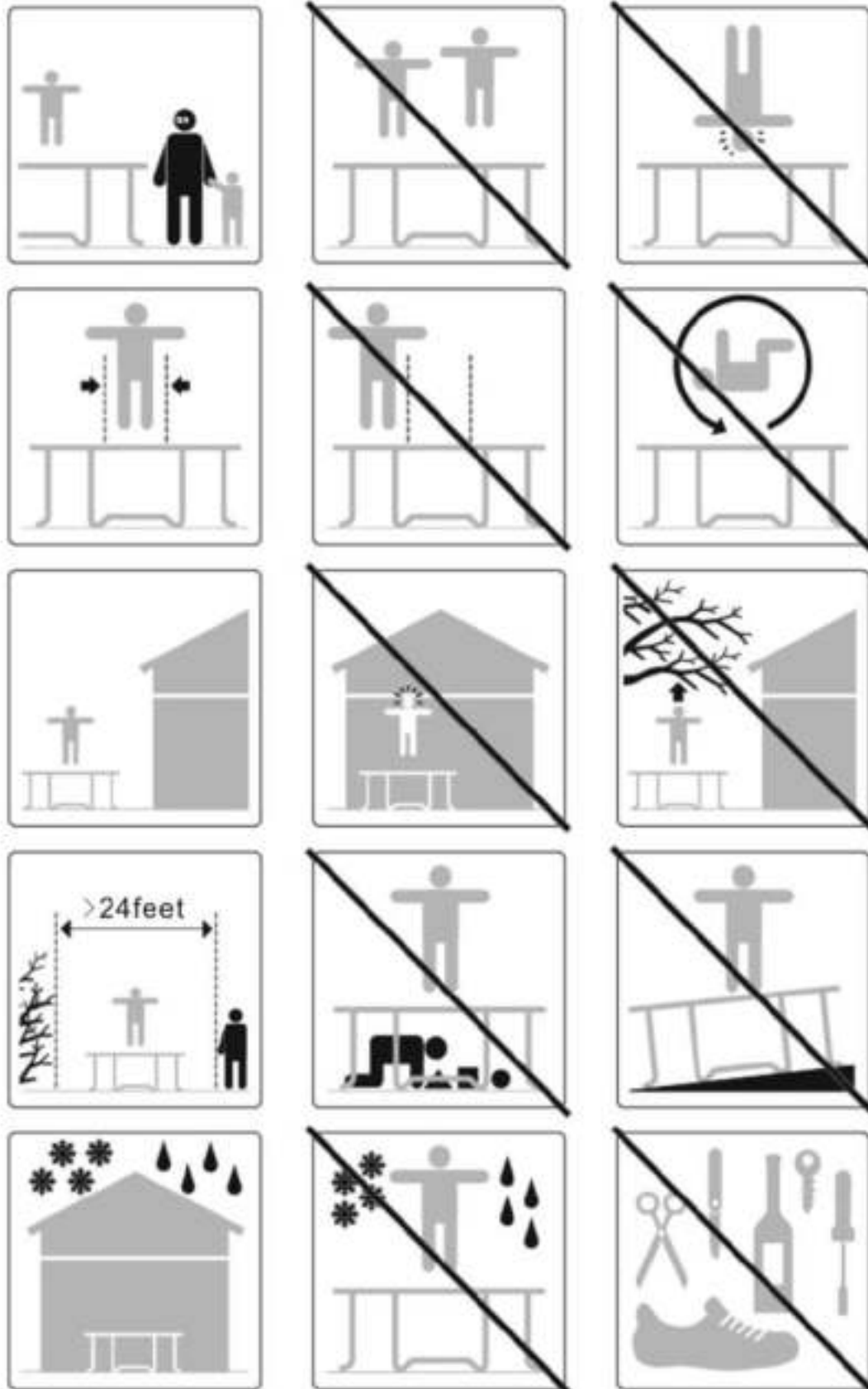
The minimum overhead clearance required is 26 feet (8 meters). Ensure that no hazards or obstructions are near the trampoline such as tree branches, swing sets, swimming pools, electrical power wires, walls, fences, etc.

Please be aware of the following when selecting a place for your trampoline:

- Trampoline must be placed on a level surface
- The area must be well-lit.
- All obstructions from overhead, underneath or around the trampoline must be removed.
- Do not use this trampoline in-door
- Do not use this trampoline on any slippery floor surface, uneven or sloping ground surface
- Do not site trampoline on hard surfaces, concrete etc, as this can damage the frame
- The trampoline must be well-fix on the ground to prevent moving when jumping.

WARNING!

You increase the risk of someone getting injured if you do not follow these guidelines.



TRAMPOLINE & ENCLOSURE COMBO



CARE AND MAINTENANCE

- **GENERAL** Your trampoline is designed to stand outside all year round and generally requires very little maintenance. However, a little care and forethought can add years to your trampoline's life. Remember that the bed (mat) and frame pads are made of synthetic materials and are easily damaged by cigarette ends, fireworks and bonfire debris.
- **FRAME** Do not sit or stand on the frame or the frame pads while the trampoline is in use as this restricts the frame's natural reflex action. Oil or petroleum jelly applied where the springs hook into the frame will reduce squeaking and frame hole wear. If surface rust appears it should be removed with either a wire brush or coarse sandpaper, and the area treated with a non-toxic paint.
- **FRAME PADS** Frame pads are there to protect the user from any fall or landing on the springs and frame. On no account should people be permitted to sit or stand on them when the trampoline is in use. You should also make sure that smaller users do not use the inside edges of the pads as a "handle" when getting up on to the trampoline.
- **THE MAT** The mat (bed) will, over the years, be gradually weakened by the effects of ultra violet radiation. Therefore, the more it can be protected from direct sunlight the longer it will last. A little mould or mildew should not harm the mat. Do make sure that shoes are removed before bouncing and ensure that any other sharp objects such as belt buckles, brooches and jewellery are removed too.
- **THE SPRINGS** Do not stand on the springs whilst the trampoline is in use. Try not to bounce on to the springs. They are not designed for this sort of stress and can become stretched, misshapen and weakened. If you find you have any stretched springs, it is important to replace them as soon as possible to avoid damage to the trampoline mat and avoid overloading and therefore damaging the remaining good springs.

This trampoline was designed and manufactured with quality materials and craftsmanship. With proper care and maintenance, it will provide all jumpers with years of exercise, fun, and enjoyment. Please follow the guidelines below:

Jumpers should wear socks, gymnastics shoes, or be barefoot when using the trampoline. Street shoes or tennis shoes should NOT be worn while using the trampoline. To limit damage do not allow pets onto the mat. Jumpers should remove all sharp objects from their person prior to using the trampoline. All sharp or pointed objects should be kept off the trampoline mat at all times.

Always inspect the trampoline before each use for worn, damaged or missing parts. Please be aware of:

- Punctures, holes, or tears in the trampoline mat
- Sagging trampoline mat
- Loose stitching or any kind of deterioration of the mat
- Bent or broken frame parts, such as the legs
- Broken, missing, or damaged springs
- Damaged, missing, or insecurely attached frame pad
- Protrusions of any types (especially sharp types) on the frame, springs, or mat
- No modification should be carried out to the trampoline or any of its components. Any modification could lead to damage to the product or to personal injury.
- Check all nuts and bolts for tightness and tighten when required.
- Check that all spring-loaded (pit pin) joints are still intact and cannot become dislodged during play.
- Check all coverings and sharp edges and replace when required.
- Retain the maintenance instruction manual.
- Outdoor trampolines should be equipped with a device that in strong wind conditions avoid displacement due to wind (e.g. steel bars in the ground or loads like sand bag or water bags) and/or items catching wind like net and mat should be removed.
- In certain countries during winter period, the snow load and the very low temperature can damage the trampoline. It is recommended to remove the snow and store the mat and the enclosure indoor.
- Check that mat, padding, enclosure and soft surface are without defects.

TRAMPOLINE & ENCLOSURE COMBO



IF YOU FIND ANY OF THE PREVIOUS CONDITIONS, OR ANYTHING ELSE THAT YOU FEEL COULD CAUSE HARM TO ANY USER, THE TRAMPOLINE SHOULD BE DISASSEMBLED OR SECURED FROM USE UNTIL THE CONDITION(S) HAS BEEN RECTIFIED.

WINDY CONDITIONS

In severe wind conditions, the trampoline can be blown about. If you expect windy weather conditions, the trampoline should be moved to a sheltered area or disassembled. To ensure security in normal weather conditions, at least three tie downs should be used. Secure the trampoline frame to the ground. It is insufficient to secure only the legs of the trampoline to the ground as they can pull out the frame sockets.

MOVING THE TRAMPOLINE

When moving the trampoline, you will require the assistance of another adult. All connector points should be wrapped securely with weather resistant tape, such as duct tape. This will keep the frame intact during the move and prevent the connector points from dislocating and separating. When moving, lift the trampoline slightly off the ground and keep it horizontal to the ground. For any type of other move, you should disassemble the trampoline. After any move please conduct a full safety inspection.

BURIED / GROUND-LEVELLED (IN-GROUND / FLAT-GROUND) TRAMPOLINES

The below information. Please check the assemble manual

- How to construct the hole when mounting the trampoline (depth/shape/inclination of hole etc.) including an illustration describing the shape of the hole.
- How to avoid foot entrapment if the trampoline is provided with a retaining wall system and, in particular, how to avoid gaps between the ground/retaining wall system/frame.
- How to prepare and assess the ground under the soft surface, including an illustration describing the shape of the prepared area.

The hole should not accumulate water (so drainage is necessary) and it should be possible to clean during maintenance

Warning! Installation of the trampoline requires a hole to be dug in the ground. If you are not sure about the ground work, please contact a professional

WARRANTY

After the date of the purchase invoice, the owner of the AXI trampoline has a:

- 2-year warranty on the breaking of the frame
- 1-year warranty on the springs
- 1-year warranty on the protective surround pad and the jump mat.
- 1 year warranty on the tearing of the net

AXI reserves the right not to provide a guarantee if:

- no original sales receipt can be presented;
- the AXI Trampoline is used for purposes other than those for which it was designed;
- a method of assembly is used other than the method indicated;
- technical repairs have been carried out unprofessionally;
- the AXI Trampoline is used in public places like schools and day-care nurseries;
- the AXI Trampoline is rented to third parties;
- the regular monitoring and where appropriate replacement of parts, screws and joints has been omitted.

TRAMPOLINE & ENCLOSURE COMBO



LEARNING THE FUNDAMENTAL TRAMPOLINE SKILLS

The following lessons are suggested for you to learn basic steps and bounces. Before using the trampoline, you should read and understand all warnings. A complete discussion and demonstration of body mechanics and trampoline guidelines should occur between the supervisor and student as well. The bounces are diagrammed on the following page.

Lesson 1

- A. Mounting and Dismounting – Demonstration of proper techniques
- B. The Basic Bounce – Demonstration and practice
- C. Braking (Check the Bounce – Demonstration) and practice. Learn to brake on command
- D. Hands and Knees Bounce – Demonstration and practice. Stress should be on four-point landing and alignment

Lesson 2

- A. Review and practice of techniques learned in Lesson 1
- B. Knee Bounce – Demonstration and practice. Learn the basic down to knee and back up before trying half twist to left and right
- C. Seat Bounce – Demonstration and practice. Learn basic seat bounce then add a knee bounce, hands and knees repeat

Lesson 3

- A. Review and practice skills and techniques learned in previous lessons
- B. Front Drop – To avoid mat burns and teach the front bounce position, all students should be requested to assume the prone position (face down on the ground) while the instructor checks for faulty positions that could cause injury
- C. Start with a Hands and Knees bounce and then extend body into prone position and on the mat and return to feet
- D. Practice Routine – Hands and Knees Bounce, Front Bounce, return to feet, Seat Bounce, return to feet, Seat Bounce, return to feet

Lesson 4

- A. Review and practice skills and techniques learned in previous lessons
- B. Half – Turn
 1. Start from front drop position and as you make contact with mat, push off with arms in either the right or left direction and turn head and shoulders in same direction
 2. During turn, be sure to keep back parallel to mat and head up
 3. After completing turn, land in the Front Drop position

After completing this lesson, the student now has a basic foundation of trampoline bounces. Jumpers should be encouraged to try and develop their own routines with the emphasis on control and form.

A game that can be played in order to encourage students to try developing routines is "BOUNCE". In this game, players count off from 1 to X. Player one starts with a maneuver. Player two has to do Player one's maneuver and add on another. Each player must do the routine properly in the correct sequence. The first person to miss receives the letter "B". This continues until someone spells out the word "BOUNCE". The last remaining contestant is deemed the winner! Even when playing this game, it is important to perform your routines under control and not try difficult or highly skilled bounces that you have not yet mastered.

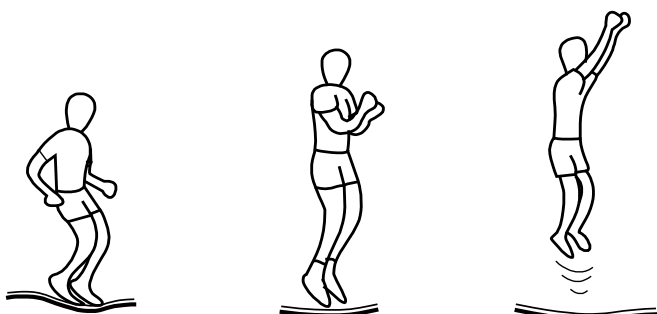
A certified trampoline instructor should be contacted to further develop your trampoline skills.

TRAMPOLINE & ENCLOSURE COMBO



BASIC TRAMPOLINE BOUNCES

THE BASIC BOUNCE



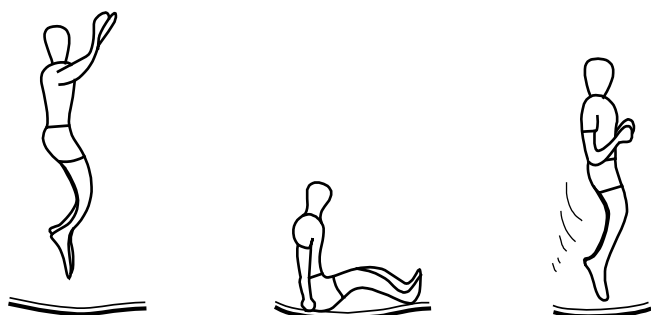
1. Start from the standing position, with your feet having shoulder width apart and with head up and eyes on mat
2. Swing arms forward and up in a circular motion
3. Bring feet together while in mid-air and point toes downwards.
4. Keep the feet shoulder width apart when landing on mat

THE KNEE BOUNCE



1. Start with the basic bounce and keep it low
2. Land on knees while keeping your back straight and body erect while using your arms to maintain balance
3. Bounce back to basic bounce position by swinging arms up

THE SEAT BOUNCE



1. Land in a flat sitting position
2. Place hands on mat besides hips, but do not lock your elbow
3. Return to erect position by pushing with hands

THE 180 DEGREE BOUNCE



1. Start with the Front Bounce position
2. Push off with left or right hands and arms (depending on which way you wish to turn)
3. Maintain head and shoulders in the same direction while keeping your back parallel to the mat and your head up
4. Land in the Prone position and return to standing position



VERSCHLUCKUNGSGEFAHR

Kleine Teile. Für Kinder unter 6 Jahren nicht geeignet.

DAS PRODUKT IST VON EINEM ERWACHSENEN ZUSAMMENGEBAUT WERDEN.

Beschreibung potenzieller Gefahr, z.B. in nicht zusammengesetztem Zustand enthält es potenziell gefährliche scharfe Spitzen, daher von Babys fernhalten!

Nur für den häuslichen Gebrauch.
Diese Informationen aufheben.

SPRINGEN SIE SICHER AUF IHREM TRAMPOLIN

BEVOR SIE DIESES TRAMPOLIN BENUTZEN, LESEN SIE BITTE ALLE INFORMATIONEN IN DIESER ANLEITUNG SORGFÄLTIG DURCH. PROVIDED IN THIS MANUAL CAREFULLY. TO REDUCE THE RISK OF INJURY, PLEASE FOLLOW APPROPRIATE SAFETY RULES AND TIPS.

- Überprüfen Sie das Trampolin vor jedem Gebrauch auf Verschleiß, lose oder fehlende Teile.
- Montage, Pflege und Wartung des Produkts, Sicherheitstipps, Warnungen und die richtige Technik beim Springen und Hüpfen sind in dieser Anleitung enthalten.
- Alle Personen die das Trampolin nutzen und Betreuer müssen diese Anweisungen lesen und sich mit ihnen vertraut machen.
- Alle Benutzer müssen sich ihrer eigenen Grenzen bewusst sein, bevor das Trampolin zum Springen verwendet wird.
- Nur für den Privatgebrauch innerhalb der Familie geeignet.
- Das Sicherheitsnetz muss angebracht sein, wenn die Länge/Durchmesser/Diagonalen des Rahmens größer als 2,5 m sind.

WARNUNG!

Unsachgemäßer Gebrauch und Fehlnutzung sind sehr gefährlich und können zu schweren Verletzungen oder sogar zum Tod führen!



NICHT MEHR ALS EINE PERSON GLEICHZEITIG AUF DEM TRAMPOLIN! MEHRERE PERSONEN ERHÖHEN DAS RISIKO VON VERLETZUNGEN WIE NACKEN-, BEIN-, RÜCKENWIRBEL- ODER SCHÄDELBRÜCHEN.



KEINE SALTOS AUS, DA DIES DAS RISIKO ERHÖHT, AUF DEM KOPF ODER DEM HALS ZU LANDEN, WAS ZU EINEM ERHÖHTEN RISIKO SCHWERER VERLETZUNGEN ODER ZUM TOD FÜHRT.

ZUSÄTZLICHE INFORMATIONEN

Wie jede Aktivität, die den Körper in Bewegung setzt, birgt auch das Trampolinspringen gewisse Risiken. Um das Verletzungsrisiko zu verringern. Wir empfehlen die Verwendung einer Überdachung, um zu verhindern, dass die Benutzer vom Trampolin fallen. Die Umzäunung sollte nicht dazu benutzt werden, absichtlich von den Seiten zu hüpfen. Kein Gerät kann Ihre Sicherheit vollständig garantieren, und das sichere Spielen liegt in Ihrer Verantwortung. Lassen Sie nie mehr als eine Person gleichzeitig auf das Trampolin. Versuchen Sie keine Überschläge, Saltos oder Purzelbäume. Wir empfehlen außerdem die Verwendung einer stoßdämpfenden Oberfläche auf dem Boden um das Trampolin herum.



WARNUNG!

NUTZER & BETREUER:

- Achtung! Keine Saltos
- Achtung! Nur für die Verwendung im Freien
- Achtung! Ohne Schuhe springen
- Achtung! Immer die Anweisungen lesen/befolgen
- Achtung! Betreuung durch einen Erwachsenen ist erforderlich
- Achtung! Nur ein Benutzer, Kollisionsgefahr
- Achtung! Beim Verlassen nicht vom Trampolin springen
- Achtung! Nicht essen während des Springens
- Achtung! Verwenden Sie das Sprungtuch nicht, wenn es nass ist
- Achtung! Nicht bei starkem Wind verwenden
- Achtung! Das Trampolin darf nicht im Boden versenkt werden.
- Achtung! Vor dem Springen Taschen und Hände leeren
- Achtung! Vor dem Springen immer die Netzöffnung schließen
- Achtung! Sprungmatte und/oder Netz sollten alle Jahre ausgetauscht werden
- Achtung! Begrenzen Sie die Zeit der kontinuierlichen Nutzung (machen Sie regelmäßig Pausen)
- Achtung! Sichern Sie das Trampolin während der Benutzung immer mit einem Spanngurt
- Achtung! Prüfen Sie, dass Matte, Polsterung und Umrandung keine Mängel aufweisen;
- Achtung! Benutzen Sie das Trampolin nicht, wenn Sie Alkohol oder andere Drogen konsumiert haben
- Achtung! Springen Sie immer in der Mitte der Mattenbedingungen und sichern Sie das Trampolin
- Achtung! In bestimmten Ländern kann im Winter die Schneelast und die sehr niedrige Temperatur das Trampolin beschädigen. Es wird empfohlen, den Schnee zu entfernen und die Matte und die Überdachung im Haus zu lagern.
- Achtung! Das Auf- und Absteigen sollte kontrolliert und vorsichtig erfolgen. Springen Sie niemals auf oder von dem Trampolin und benutzen Sie das Trampolin niemals als Sprunggerät, um auf oder in einen anderen Gegenstand zu hüpfen.
- Achtung! Das Trampolin muss von einem Erwachsenen gemäß der Aufbauanleitung aufgebaut und anschließend vor der ersten Benutzung überprüft werden.
- Achtung! Das maximale Benutzergewicht beträgt:

Rundes Trampolin		Ovales Trampolin		Rechteckiges Trampolin	
<Ø8ft.(2.5M)	>Ø8ft.(2.5M)	<Ø438x310cm	>Ø360x264cm	<Ø432x303cm	>Ø318x212cm
50kg	100kg	120kg	100kg	120kg	100kg

WARNUNG!

1. Es dürfen KEINE Purzelbäume gemacht werden. Eine Landung auf dem Kopf oder Nacken kann zu schweren Verletzungen, Lähmungen oder zum Tod führen, selbst wenn man in der Mitte der Matte landet.
2. Lassen Sie NICHT zu, dass mehr als eine Person das Trampolin verwendet. Die gleichzeitige Nutzung von mehreren Personen kann zu schweren Verletzungen führen.
3. Nutzen Sie das Trampolin nur unter der Aufsicht von Erwachsenen, die sich damit auskennen.
4. Trampoline mit einer Höhe von mehr als 20 in. (51 cm), werden nicht für den Gebrauch durch Kinder unter 6 Jahren empfohlen.
5. Überprüfen Sie das Trampolin vor jedem Gebrauch. Vergewissern Sie sich, dass das Rahmenpolster richtig und sicher positioniert ist. Ersetzen Sie alle abgenutzten, defekten oder fehlenden Teile.
6. Steigen Sie auf das Trampolin auf und ab. Springen Sie nicht vom Trampolin auf den Boden, wenn Sie absteigen, oder auf das Trampolin, wenn Sie es aufbauen. Benutzen Sie das Trampolin nicht als Sprungbrett zu anderen Gegenständen.
7. Stoppen Sie das Springen durch Beugen der Knie, wenn die Füße die Trampolinmatte berühren. Erlernen Sie diese Fähigkeit, bevor Sie andere ausprobieren.
8. Lernen Sie die grundlegenden Sprünge und Körperpositionen gründlich, bevor Sie fortgeschrittenere Manöver ausprobieren. Eine Vielzahl von Trampolinmanövern kann ausgeführt werden, indem die Grundübungen in verschiedenen Kombinationen ausgeführt werden, indem eine Übung nach der anderen ausgeführt wird, mit oder ohne Fußsprünge dazwischen. Siehe dazu den Abschnitt Bouncing Basics in dieser Anleitung.
9. Vermeiden Sie zu hohe Sprünge. Bleiben Sie niedrig, bis Sie die Kontrolle über die Sprünge und die wiederholte Landung in der Mitte des Trampolins erreicht haben. Kontrolle ist wichtiger als Höhe.
10. Halten Sie beim Springen den Kopf aufrecht, schauen Sie nach vorne und konzentrieren Sie Ihre Augen auf den Rand des Trampolins. Dies hilft bei der Kontrolle des Gleichgewichts.
11. Springen Sie nicht, wenn Sie müde sind oder über einen längeren Zeitraum springen.
12. Sichern Sie das Trampolin ordnungsgemäß, wenn es nicht benutzt wird, und verhindern Sie eine unbefugte Benutzung. Wenn eine Trampolinleiter verwendet wird, entfernen Sie diese vom Trampolin, wenn Sie den Bereich verlassen, um den unbeaufsichtigten Zugang von Kindern unter 6 Jahren zu verhindern.
13. Halten Sie einen freien Bereich um das Trampolin herum frei und entfernen Sie Gegenstände, die den Benutzer behindern könnten.
14. Benutzen Sie das Trampolin nicht, wenn Sie unter dem Einfluss von Alkohol oder Drogen stehen.
15. Wenden Sie sich für Informationen über Fähigkeiten und Training an einen zertifizierten Trampolinlehrer.
16. Springen Sie nur, wenn die Matte trocken ist. Das Trampolin darf nicht bei Wind benutzt werden.
17. Lesen Sie alle Anweisungen, bevor Sie das Trampolin benutzen. Warnhinweise und Anweisungen für die Pflege, Wartung und Verwendung dieses Trampolins sind enthalten, um die sichere und angenehme Verwendung dieses Geräts zu fördern.
18. Tragen Sie KEINE Schuhe mit harten Sohlen, da diese eine übermäßige Abnutzung der Matte verursachen.
19. Tragen Sie KEINEN Schmuck, Haken, Knöpfe oder andere hervorstehende Gegenstände, die sich auf der Matte verfangen könnten.
20. Hüpfen Sie in der Mitte des Sprungtuchs/Matte.

AUFBAU

1. Sorgen Sie für einen ausreichenden Abstand zur Decke. Ein Mindestabstand von 8 Metern (26 Fuß) vom Boden wird empfohlen. Achten Sie auf ausreichenden Abstand zu Kabeln, Ästen und anderen möglichen Gefahrenquellen.
2. Sorgen Sie für ausreichenden seitlichen Abstand. Stellen Sie das Trampolin nicht in der Nähe von Mauern, Gebäuden, Zäunen, Schwimmbecken und anderen Spielbereichen auf. Halten Sie auf allen Seiten des Trampolins einen freien Raum ein.
3. Stellen Sie das Trampolin vor der Benutzung auf eine ebene Fläche.
4. Benutzen Sie das Trampolin in einem gut beleuchteten Bereich. In schattigen Bereichen kann eine künstliche Beleuchtung erforderlich sein.
5. Sichern Sie das Trampolin an einem sicheren Ort.
6. Entfernen Sie alle Hindernisse unter dem Trampolin.
7. Der Eigentümer und die Aufsichtspersonen des Trampolins sind dafür verantwortlich, alle Benutzer auf die in der Anleitung beschriebenen Praktiken hinzuweisen.

TRAMPOLINE & ENCLOSURE COMBO



EINWEISUNG

Ziehen Sie immer einen Arzt zur Rate, bevor Sie eine körperliche Aktivität durchführen

BITTE BEWAHREN SIE DIESE INFORMATIONEN ZUR SPÄTEREN VERWENDUNG AUF.

INFORMATIONEN ZUR BENUTZUNG DES TRAMPOLINES

Gewöhnen Sie sich zunächst an das Gefühl und den Schwung des Trampolins. Konzentrieren Sie sich auf Ihre Körperhaltung und üben Sie jeden Sprung (die Grundsprünge), bis Sie ihn mit Leichtigkeit und Kontrolle ausführen können.

Um einen Sprung zu bremsen, beugen Sie Ihre Knie stark, bevor Ihre Füße sie berühren. Diese Technik sollte geübt werden, während Sie die einzelnen Grundsprünge lernen. Die Technik des Bremsens sollte immer dann angewendet werden, wenn du das Gleichgewicht oder die Kontrolle über deinen Sprung verlierst.

Lerne immer zuerst die einfachsten Sprünge und behalte die Kontrolle über deinen Sprung, bevor du zu schwierigeren und fortgeschritteneren Sprüngen übergehst. Ein kontrollierter Absprung liegt vor, wenn der Absprung- und der Landepunkt an der gleichen Stelle auf der Matte liegen. Wenn Sie zum nächsten Sprung übergehen, ohne den vorherigen Sprung zu beherrschen, erhöhen Sie die Verletzungsgefahr.

Springen Sie nicht über längere Zeit auf dem Trampolin, da Ermüdung das Verletzungsrisiko erhöhen kann. Hüpfen Sie nur für kurze Zeit. Es sollte immer nur eine Person auf dem Trampolin hüpfen.

Die Springer sollten ein T-Shirt, kurze Hosen oder Sweatshirts und normale Gymnastikschuhe oder dicke Socken tragen oder barfuß sein. Wenn Sie gerade erst anfangen, sollten Sie langärmelige Hemden und Hosen tragen, um sich vor Kratzern und Schürfwunden zu schützen, bis Sie die richtige Landeposition und Form beherrschen. Tragen Sie auf dem Trampolin keine Schuhe mit harter Sohle, wie z. B. Tennisschuhe, da dies zu einer übermäßigen Abnutzung der Matte führt.

Sie sollten immer richtig auf- und absteigen, um Verletzungen zu vermeiden. Um richtig aufzusteigen, sollten Sie Ihre Hand auf den Rahmen legen und auf den Rahmen treten oder rollen, über die Federn und auf das Sprungtuch. Denken Sie immer daran, Ihre Hände beim Auf- und Abbau auf den Rahmen zu legen. Treten Sie nicht direkt auf die Rahmenmatte und halten Sie sich nicht an der Rahmenmatte fest. Um richtig abzusteigen, gehen Sie zur Seite des Trampolins, stützen Sie sich mit der Hand am Rahmen ab und treten Sie von der Matte auf den Boden. Kleinere Kinder sollten beim Auf- und Absteigen unterstützt werden.

Springen Sie nicht leichtsinnig auf dem Trampolin herum, da dies das Verletzungsrisiko erhöht. Der Schlüssel zu Sicherheit und Spaß auf dem Trampolin liegt in der Kontrolle und der Beherrschung der verschiedenen Sprünge. Versuchen Sie niemals, einen anderen Trampolinspringer in der Höhe zu übertreffen! Das Trampolin darf nie ohne Aufsicht verwendet werden!

UNFALLKLASSIFIZIERUNG

Auf- und Absteigen: Seien Sie beim Auf- und Absteigen auf das Trampolin sehr vorsichtig. Steigen Sie NICHT auf das Trampolin auf, indem Sie sich am Rahmenpolster festhalten, auf die Federn treten oder von einer beliebigen Oberfläche (z. B. einer Terrasse, einem Dach oder einer Leiter) auf die Matte springen, da dies Ihr Verletzungsrisiko erhöht. Steigen Sie NICHT ab, indem Sie vom Trampolin springen. Wenn kleine Kinder auf dem Trampolin spielen, benötigen sie möglicherweise Hilfe beim Auf- und Absteigen.

Konsum von Alkohol oder Drogen: Nehmen Sie vor oder während der Benutzung dieses Trampolins KEINEN Alkohol oder Drogen zu sich, da dies Ihr Urteilsvermögen, Ihre Reaktionszeit und Ihre allgemeine körperliche Koordination beeinträchtigt.

Anschlagen des Rahmens oder der Federn: Wenn Sie auf dem Trampolin spielen, bleiben Sie in der Mitte der Matte. Dadurch wird das Verletzungsrisiko durch den Rahmen oder die Federn verringert. Lassen Sie das Rahmenpolster immer auf dem Rahmen. Springen oder treten Sie NICHT auf das Rahmenpolster, es ist nicht dazu gedacht, das Gewicht einer Person zu tragen.

Verlust der Kontrolle: Versuchen Sie KEINE schwierigen Manöver, bis Sie das vorherige Manöver beherrschen, da dies Ihr Verletzungsrisiko erhöht. Ein kontrollierter Sprung liegt vor, wenn der Absprung- und der Landepunkt an der gleichen Stelle auf der Matte liegen. Wenn Sie beim Springen auf dem Trampolin die Kontrolle verlieren, beugen Sie bei der Landung die Knie stark, damit Sie den Sprung abbrechen und die Kontrolle wiedererlangen können.

Purzelbäume (Flips): Führen Sie auf dem Trampolin KEINE Saltos jeglicher Art (vorwärts oder rückwärts) aus, da dies das Verletzungsrisiko für Ihren Nacken oder Rücken erhöht, was zum Tod oder zu Lähmungen führen kann.

Fremdkörper: Benutzen Sie das Trampolin NICHT, wenn sich Haustiere, andere Personen, Tiere oder Gegenstände unter, über oder in der Nähe des Trampolins befinden, da dies das Risiko einer Verletzung erhöht. Halten Sie KEINE fremden Gegenstände in der Hand und legen Sie KEINE Gegenstände auf das Trampolin. Achten Sie darauf, was sich über Ihnen befindet, wenn Sie das Trampolin benutzen. Äste, Drähte oder andere Gegenstände, die sich über dem Trampolin befinden, können zu Verletzungen führen.

Schlechte Wartung des Trampolins: Ein Trampolin in schlechtem Zustand erhöht Ihr Verletzungsrisiko. Bitte überprüfen Sie das Trampolin vor jedem Gebrauch auf verbogene Stahlrohre, gerissene Matten, lose oder gebrochene Federn und die allgemeine Stabilität des Trampolins.

Wetterbedingungen: Bitte achten Sie auf die Wetterbedingungen, wenn Sie das Trampolin benutzen. Benutzen Sie das Trampolin nicht, wenn die Matte nass ist. Benutzen Sie das Trampolin nicht bei windigen Bedingungen.

Zugangsbeschränkung: Wenn das Trampolin nicht in Gebrauch ist, bewahren Sie die Einstiegsleiter immer an einem sicheren Ort auf, um unbefugten und unbeaufsichtigten Zugang zu verhindern.

TIPPS ZUR VERRINGERUNG DES UNFALLRISIKOS

Die Rolle des Springers bei der Unfallverhütung

Behalten Sie die Kontrolle über Ihre Sprünge. Gehen Sie NICHT zu komplizierteren oder schwierigeren Manövern über, bevor Sie die grundlegenden Sprünge beherrschen. Ausbildung ist der Schlüssel zur Sicherheit. Lesen, verstehen und üben Sie alle Sicherheitsvorkehrungen und Warnhinweise, bevor Sie das Trampolin benutzen. Ein kontrollierter Sprung liegt vor, wenn Sie von derselben Stelle auf der Matte landen und abheben. Wenden Sie sich für weitere Sicherheitstipps und Anweisungen an einen zertifizierten Trampolintrainer.

- Springen Sie immer in der Mitte der Matte. Das Springen in der Nähe des Randes des Bettes kann zu Verletzungen führen und die Federn dehnen. Das Rahmenpolster ist nicht dafür ausgelegt, das Gewicht des Trampolinbenutzers zu tragen. Treten oder springen Sie nicht direkt auf die Rahmenmatte.
- Vermeiden Sie es, zu hoch zu hüpfen. Bleiben Sie niedrig, bis Sie Ihren Sprung kontrollieren können und gleichmäßig in der Mitte des Bettes landen.
- Um die Kontrolle wiederzuerlangen und den Sprung zu beenden, beugen Sie bei der Landung schnell die Knie.
- Benutzen Sie das Trampolin nicht, wenn Sie unter dem Einfluss von Alkohol oder Drogen stehen.
- Erlauben Sie jedem Springer eine kurze Runde auf dem Trampolin. Ein längeres Springen setzt einen übermüdeten Benutzer einem erhöhten Verletzungsrisiko aus. Längere Runden verringern das Interesse der anderen, die auf einen Sprung warten.
- Die Trampolinmatte befindet sich mehrere Meter über dem Boden. Das Springen vom Trampolin auf den Boden oder eine andere Oberfläche kann zu Verletzungen führen. Das Springen auf das Trampolin von einem Dach, einer Terrasse oder einem anderen Gegenstand birgt ebenfalls ein Verletzungsrisiko. Kleinere Kinder benötigen möglicherweise Hilfe, um auf das Trampolin auf- oder abzusteigen. Der richtige Auf- und Abstieg sollte von Anfang an eine strikte Regel sein. Die Benutzer sollten auf das Trampolin steigen, indem sie ihre Hände auf den Rahmen legen und auf den Rahmen, über die Federn und auf die Matte (Bett) treten oder rollen. Treten Sie beim Auf- und Abbau des Trampolins nicht direkt auf das Rahmenpolster und greifen Sie nicht in das Rahmenpolster. Die Benutzer sollten beim Auf- und Absteigen immer ihre Hände auf den Rahmen legen. Um abzusteigen, sollten die Springer zur Seite der Matte (Bett) gehen, sich bücken und eine Hand auf den Rahmen legen, dann von der Matte auf den Boden treten.
- Sie können sich verletzen, wenn Sie beim Springen oder Auf- und Absteigen auf das Trampolin gegen den Rahmen stoßen oder durch die Federn fallen. Bleiben Sie beim Springen in der Mitte der Trampolinmatte. **ACHTEN SIE DARAUF, DASS DAS RAHMENPOLSTER IMMER DEN RAHMEN ABDECKT.** Das Rahmenpolster ist nicht dafür ausgelegt, das Gewicht des Trampolinbenutzers zu tragen. Treten oder springen Sie nicht direkt auf die Rahmenmatte.



Die Rolle des Betreuers in einer Unfallsituation

Die Aufsichtspersonen müssen alle Sicherheitsregeln und -richtlinien verstehen und durchsetzen. Es liegt in der Verantwortung der Aufsichtsperson, allen Springern sachkundige Ratschläge und Anleitungen zu geben. Wenn keine oder nur unzureichende Aufsichtspersonen zur Verfügung stehen, sollte das Trampolin abgebaut und an einem sicheren Ort gelagert werden, um eine unbefugte Nutzung zu verhindern. Die Aufsichtsperson ist auch dafür verantwortlich, dass das Sicherheitsplakat am Trampolin angebracht wird und dass die Springer über diese Warnungen und Anweisungen informiert werden.

TRAMPOLIN SICHERHEITSVORSCHRIFTEN

PERSONEN DIE SPRINGEN:

- Benutzen Sie das Trampolin nicht unter dem Einfluss von Alkohol oder Drogen.
- Entfernen Sie vor der Benutzung des Trampolins alle harten, scharfen Gegenstände von Ihrer Person.
- Steigen Sie kontrolliert und vorsichtig auf und ab. Springen Sie nicht auf oder von dem Trampolin und benutzen Sie das Trampolin niemals als Vorrichtung, um auf oder in ein anderes Objekt zu hüpfen.
- Lerne die Grundtechniken des Bouncens und beherrsche jede Art von Bounce, bevor du dich an schwierigere Arten von Bounces wagst. Lesen Sie den Abschnitt über die Grundfertigkeiten, um zu lernen, wie die Grundlagen funktionieren.
- Um den Sprung zu stoppen, beugen Sie die Knie, wenn die Füße die Matte berühren.
- Behalten Sie immer die Kontrolle, wenn Sie auf dem Trampolin hüpfen. Ein kontrollierter Sprung liegt vor, wenn Sie an der gleichen Stelle landen, an der Sie gestartet sind. Wenn Sie zu irgendeinem Zeitpunkt das Gefühl haben, die Kontrolle zu verlieren, hören Sie auf.
- Springen oder hüpfen Sie nicht über einen längeren Zeitraum hinweg.
- Behalten Sie die Augen auf der Matte, um die Kontrolle zu behalten. Wenn Sie das nicht tun, könnten Sie das Gleichgewicht oder die Kontrolle verlieren.
- Niemals mehr als 1 Person gleichzeitig auf dem Trampolin
- Benutze das Trampolin immer unter Aufsicht von Erwachsenen.
- Dieses Trampolin muss von Erwachsenen aufgebaut werden.
- Es dürfen keine Veränderungen am Trampolin oder an seinen Komponenten vorgenommen werden. Jede Veränderung könnte zu Schäden am Produkt oder zu Verletzungen führen.

BETREUER

Informieren Sie sich über die grundlegenden Sprünge und Sicherheitsregeln. Setzen Sie alle Sicherheitsregeln durch und sorgen Sie dafür, dass neue Springer die Grundsprünge lernen, bevor sie schwierigere und fortgeschrittenere Sprünge versuchen.

- Alle Springer müssen beaufsichtigt werden, unabhängig von ihrem Können oder Alter.
- Benutzen Sie das Trampolin niemals, wenn es nass, beschädigt, schmutzig oder abgenutzt ist. Das Trampolin sollte inspiziert werden, bevor Springer darauf hüpfen.
- Halten Sie alle Gegenstände, die den Springer behindern könnten, vom Trampolin fern. Achten Sie darauf, was sich über, unter und um das Trampolin herum befindet.
- Verhindern Sie die unbeaufsichtigte und unbefugte Benutzung. Das Trampolin sollte gesichert werden, wenn es nicht benutzt wird.

TRAMPOLIN AUFSTELLEN

Der erforderliche Mindestabstand über Kopf beträgt 8 Meter (26 Fuß). Stellen Sie sicher, dass sich in der Nähe des Trampolins keine Gefahren oder Hindernisse befinden, wie z. B. Äste, Schaukeln, Swimmingpools, Stromleitungen, Mauern, Zäune usw.

Bitte beachten Sie bei der Auswahl des Standorts für Ihr Trampolin die folgenden Punkte:

- Das Trampolin muss auf einer ebenen Fläche stehen.
- Der Bereich muss gut beleuchtet sein.
- Alle Hindernisse über, unter oder um das Trampolin herum müssen entfernt werden.
- Verwenden Sie dieses Trampolin nicht im Innenbereich.
- Benutzen Sie das Trampolin nicht auf rutschigem, unebenem oder schrägem Untergrund.
- Stellen Sie das Trampolin nicht auf harte Oberflächen, Beton usw., da dies den Rahmen beschädigen kann.
- Das Trampolin muss gut auf dem Boden befestigt werden, damit es sich beim Springen nicht bewegt

PFLEGE UND WARTUNG

- **ALLGEMEINES** Ihr Trampolin ist so konzipiert, dass es das ganze Jahr über im Freien stehen kann und im Allgemeinen nur sehr wenig Wartung benötigt. Mit ein wenig Sorgfalt und Voraussicht können Sie jedoch die Lebensdauer Ihres Trampolins um Jahre verlängern. Denken Sie daran, dass das Bett (Matte) und die Rahmenpolster aus synthetischen Materialien bestehen und leicht durch Zigarettenkippen, Feuerwerkskörper und Lagerfeuerreste beschädigt werden können.
- **RAHMEN** Setzen oder stellen Sie sich nicht auf den Rahmen oder die Rahmenpolster, wenn das Trampolin in Gebrauch ist, da dies die natürliche Reflexbewegung des Rahmens einschränkt. Das Auftragen von Öl oder Vaseline an den Stellen, an denen die Federn im Rahmen einhaken, verringert das Quietschen und den Verschleiß der Rahmenlöcher. Wenn Oberflächenrost auftritt, sollte dieser entweder mit einer Drahtbürste oder grobem Schleifpapier entfernt und der Bereich mit einer ungiftigen Farbe behandelt werden.
- **RAHMENPOLSTER** Rahmenpolster sind dazu da, den Benutzer vor Stürzen oder Landungen auf den Federn und dem Rahmen zu schützen. Auf keinen Fall darf man sich auf sie setzen oder stellen, wenn das Trampolin in Betrieb ist. Sie sollten auch darauf achten, dass kleinere Benutzer die Innenkanten der Polster nicht als "Griff" benutzen, wenn sie auf das Trampolin steigen.
- **DAS SPRUNGTUCH** Die Matte (Bett) wird im Laufe der Jahre durch die Einwirkung der ultravioletten Strahlung allmählich geschwächt. Je mehr sie also vor direkter Sonneneinstrahlung geschützt wird, desto länger hält sie. Ein wenig Schimmel oder Mehltau sollte der Matte nichts anhaben können. Achten Sie darauf, dass Sie vor dem Hüpfen die Schuhe ausziehen und auch alle anderen spitzen Gegenstände wie Gürtelschnallen, Broschen und Schmuck entfernen.
- **DIE FEDERN** Stellen Sie sich nicht auf die Federn, wenn das Trampolin in Gebrauch ist. Versuchen Sie, nicht auf die Federn zu hüpfen. Sie sind für diese Art von Belastung nicht ausgelegt und können gedehnt, verformt und geschwächt werden. Wenn Sie feststellen, dass die Federn gedehnt sind, müssen Sie sie so schnell wie möglich ersetzen, um Schäden an der Trampolinmatte und eine Überlastung und damit eine Beschädigung der verbleibenden guten Federn zu vermeiden.

Dieses Trampolin wurde mit hochwertigen Materialien und handwerklichem Können entworfen und hergestellt. Bei richtiger Pflege und Wartung wird es allen Springern jahrelang Bewegung, Spaß und Freude bereiten. Bitte beachten Sie die folgenden Richtlinien:

Die Springer sollten bei der Benutzung des Trampolins Socken oder Gymnastikschuhe tragen oder barfuß sein. Straßen- oder Tennisschuhe sollten bei der Benutzung des Trampolins NICHT getragen werden. Um Schäden zu vermeiden, sollten keine Haustiere auf die Matte gelassen werden. Springer sollten vor der Benutzung des Trampolins alle scharfen Gegenstände von sich entfernen. Alle scharfen oder spitzen Gegenstände sollten jederzeit von der Trampolinmatte ferngehalten werden.

Überprüfen Sie das Trampolin vor jedem Gebrauch auf abgenutzte, beschädigte oder fehlende Teile. Achten Sie bitte auf:

- Einstiche, Löcher oder Risse in der Trampolinmatte
- Durchhängende Trampolinmatte
- Lose Nähte oder jegliche Art von Beschädigung der Matte
- Verbogene oder gebrochene Rahmenteile, wie z. B. die Beine
- Gebrochene, fehlende oder beschädigte Federn
- Beschädigte, fehlende oder nicht sicher befestigte Rahmenpolster
- Vorsprünge jeglicher Art (insbesondere scharfe Kanten) an Rahmen, Federn oder Matte
- Es dürfen keine Veränderungen am Trampolin oder an einem seiner Bestandteile vorgenommen werden. Jede Veränderung kann zu Schäden am Produkt oder zu Verletzungen führen.
- Prüfen Sie alle Muttern und Schrauben auf festen Sitz und ziehen Sie sie bei Bedarf nach.
- Prüfen Sie, ob alle federbelasteten Gelenke (Pit-Pin) noch intakt sind und sich während des Spiels nicht lösen können.
- Überprüfen Sie alle Abdeckungen und scharfen Kanten und ersetzen Sie sie bei Bedarf.
- Bewahren Sie das Wartungshandbuch auf.
- Trampoline für den Außenbereich sollten mit einer Vorrichtung ausgestattet sein, die bei starkem Wind ein Verrutschen verhindert (z. B. Stahlstangen im Boden oder Lasten wie Sandsäcke oder Wassersäcke), und/oder windfangende Elemente wie Netze und Matten sollten entfernt werden.
- In bestimmten Ländern können im Winter die Schneelast und die sehr niedrigen Temperaturen das Trampolin beschädigen. Es wird empfohlen, den Schnee zu entfernen und die Matte und die Überdachung drinnen zu lagern.
- Überprüfen Sie, dass Matte, Polsterung, Überdachung und weiche Oberfläche keine Mängel aufweisen.



WENN SIE EINEN DER OBEN GENANNTEN ZUSTÄNDE ODER EINEN ANDEREN ZUSTAND FESTSTELLEN, VON DEM SIE GLAUBEN, DASS ER EINEM BENUTZER SCHADEN KÖNNTE, SOLLTE DAS TRAMPOLIN ABGEBAUT ODER VOR DER NUTZUNG GESICHERT WERDEN, BIS DER ZUSTAND BEHOBEN IST/ SIND.

WINDIGE BEDINGUNGEN

Bei starkem Wind kann das Trampolin umhergeweht werden. Wenn Sie windige Wetterbedingungen erwarten, sollte das Trampolin an einen geschützten Ort gebracht oder demontiert werden. Um die Sicherheit bei normalen Wetterbedingungen zu gewährleisten, sollten mindestens drei Verankerungen verwendet werden. Sichern Sie den Trampolinrahmen am Boden. Es ist unzureichend, nur die Beine des Trampolins am Boden zu befestigen, da sie die Rahmensockel herausziehen können.

TRANSPORTIEREN DES TRAMPOLINS

Wenn Sie das Trampolin bewegen, benötigen Sie die Hilfe eines weiteren Erwachsenen. Alle Verbindungspunkte sollten sicher mit wetterfestem Klebeband umwickelt werden, z. B. mit Klebeband. So bleibt der Rahmen während des Transports intakt und die Verbindungspunkte können sich nicht verschieben oder lösen. Heben Sie das Trampolin beim Umzug leicht vom Boden ab und halten Sie es waagrecht zum Boden. Für jede andere Art von Umzug sollten Sie das Trampolin abbauen. Führen Sie nach jedem Umzug eine vollständige Sicherheitsinspektion durch.

BURIED / GROUND-LEVELLED (IN-GROUND / FLAT-GROUND) TRAMPOLINES

Die folgenden Informationen. Bitte prüfen Sie die Montageanleitung

- Die folgenden Informationen. Bitte prüfen Sie die Montageanleitung
- Wie das Loch bei der Montage des Trampolins zu bauen ist (Tiefe/Form/Neigung des Lochs usw.), einschließlich einer Abbildung, die die Form des Lochs beschreibt.
- Wie man das Einklemmen von Füßen vermeidet, wenn das Trampolin mit einem Stützwandsystem versehen ist, und insbesondere, wie man Lücken zwischen dem Boden/Stützwandsystem/Rahmen vermeidet.
- Wie der Boden unter der weichen Oberfläche vorbereitet und beurteilt wird, einschließlich einer Abbildung, die die Form des vorbereiteten Bereichs beschreibt.

In der Grube darf sich kein Wasser ansammeln (daher ist eine Drainage erforderlich), und sie sollte bei der Wartung gereinigt werden können.

Achtung! Für die Aufstellung des Trampolins muss ein Loch in den Boden gegraben werden. Wenn Sie sich bezüglich der Bodenarbeiten nicht sicher sind, wenden Sie sich bitte an einen Fachmann.

GARANTIE

Der Besitzer des AXI Trampolin erhält nach dem Datum der Kaufquittung:

- 2 Jahre Garantie auf den Bruch des Rahmens
- 1 Jahre Garantie auf die Federn
- 1 Jahre Garantie auf den Schutzrand und das Sprungtuch.
- 1 Jahre Garantie auf das Reißen des Netzes

AXI behält sich das Recht vor, die Garantieerklärung in folgenden Fällen nicht einhalten zu müssen:

- Fehlen eines originalen Kaufbelegs.
- Verwendung zu anderen Zwecken, als denen, für die das AXI Trampolins entwickelt wurde.
- Eine andere als die vorgeschriebene Montageart.
- Die nicht fachkundige Ausführung technischer Reparaturen.
- Verwendung der AXI Trampolin auf öffentlichen Plätzen wie Schulen und Kindertagesstätten.
- Vermietung der AXI Trampolin an Dritte.
- Ausbleiben der regelmäßigen Kontrolle und bei Bedarf des Austauschs von Teilen, Schrauben und Verbindungen.

LEHRPLAN

Die folgenden Lektionen werden empfohlen, um die grundlegenden Schritte und Sprünge zu erlernen, bevor Sie zu schwierigeren, komplizierteren Sprüngen übergehen. Sie sollten alle Sicherheitsanweisungen lesen und verstehen, bevor Sie das Trampolin besteigen. Eine vollständige Diskussion und Demonstration der Körpermechanik und der Trampolinrichtlinien sollte zwischen dem Betreuer und dem Schüler stattfinden.

Lektion 1

- A. Auf- und Absteigen - Demonstration der richtigen Techniken
- B. Der Grundsprung - Demonstration und Übung
- C. Bremsen (Check the Bounce) - Demonstration und Übung. Lernen, auf Kommando zu bremsen
- D. Hands and knees - Demonstration und Übung. Der Schwerpunkt sollte auf der Vier-Punkt-Landung und der Ausrichtung liegen

Lektion 2

- A. Wiederholung und Übung der in Lektion 1 erlernten Techniken
- B. Kniesprung-Demonstration und Übung. Erlernen Sie die grundlegende Kniebeuge und das Wiederaufrichten, bevor Sie eine halbe Drehung nach links und rechts versuchen.
- C. Seat Bounce-Demonstration und Übung. Lernen Sie den grundlegenden Seat Bounce und fügen Sie dann einen Kniesprung, Hände und Knie hinzu; Wiederholung

Lektion 3

- A. Überprüfen und üben Sie die in den vorherigen Lektionen erlernten Fähigkeiten und Techniken.
- B. Bauchfall- Alle Personen sollten aufgefordert werden, die Bauchlage einzunehmen (mit dem Gesicht nach unten auf dem Boden), während der Ausbilder sie auf fehlerhafte Positionen überprüft, die zu Verletzungen führen könnten.
- C. Beginnen Sie mit einem Strecksprung und strecken Sie dann den Körper in die Bauchlage, landen Sie auf der Matte und kommen Sie wieder auf die Füße.
- D. Übungsroutine – Strecksprung, Bauchsprung, zurück auf die Füße, Sitzsprung, zurück auf die Füße

Lektion 4

- A. Wiederholung und Übung der in den vorherigen Lektionen erlernten Fähigkeiten und Techniken
- B. Halbe Drehung
 - 1. Starten Sie aus der vorderen Fallposition. Sobald Sie die Matte berühren, stoßen Sie sich mit den Armen nach rechts oder links ab und drehen Kopf und Schultern in die gleiche Richtung.
 - 2. Achten Sie während der Drehung darauf, dass der Rücken parallel zur Matte und der Kopf nach oben zeigt.
 - 3. Nach der Drehung in der vorderen Fallposition landen.

Nach Abschluss dieser Lektion haben Personen nun ein grundlegendes Verständnis für Trampolinsprünge. Die Springer sollten ermutigt werden, ihre eigenen Übungen zu entwickeln, wobei der Schwerpunkt auf Kontrolle und Form liegt.

Ein Spiel, das gespielt werden kann, um die Schüler zu ermutigen, zu versuchen, Routinen zu entwickeln, ist "BOUNCE". Bei diesem Spiel zählen die Spieler von 1 bis 10. Spieler eins beginnt mit einem Manöver. Spieler zwei muss das Manöver von Spieler eins nachmachen und ein weiteres hinzufügen. Spieler Drei führt die Manöver von Eins und Zwei aus und fügt dann ein drittes Manöver hinzu. So geht es weiter, bis ein Spieler die Übung nicht mehr in der richtigen Reihenfolge ausführen kann. Die erste Person, der dies nicht gelingt, erhält den Buchstaben "B". So geht es weiter, bis jemand das Wort "BOUNCE" buchstabiert. Der letzte verbliebene Teilnehmer ist der Gewinner! Auch bei diesem Spiel ist es wichtig, dass Sie Ihre Übungen kontrolliert ausführen. Versuchen Sie keine schwierigen oder sehr geschickten Sprünge, die Sie noch nicht beherrschen.

Wenden Sie sich an einen zertifizierten Trampolintrainer, um Ihre Trampolinfähigkeiten weiterzuentwickeln.

TRAMPOLINE & ENCLOSURE COMBO



GRUNDLEGENDE TRAMPOLINSPRÜNGE

DER STRECKSPRUNG



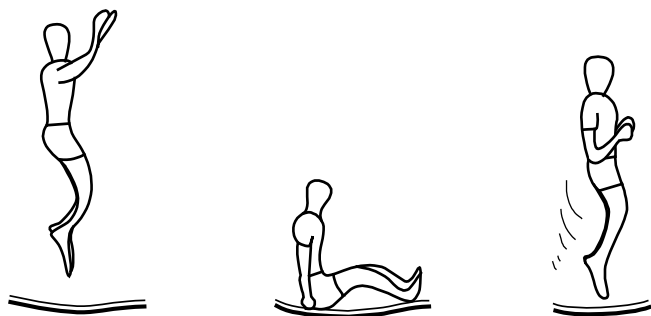
1. Beginnen Sie im Stehen, mit schulterbreit auseinander stehenden Füßen, Kopf nach oben und Blick auf die Matte.
2. Schwingen Sie die Arme in einer kreisförmigen Bewegung nach vorne und oben.
3. Führe die Füße in der Luft zusammen und zeige mit den Zehen nach unten.
4. Bei der Landung auf der Matte die Füße schulterbreit auseinander halten.

KNIESPRUNG



1. Beginnen Sie mit dem Strecksprung und halten Sie ihn niedrig.
2. Lande auf den Knien, halte deinen Rücken gerade und deinen Körper aufrecht, während du deine Arme benutzt, um das Gleichgewicht zu halten.
3. Springe zurück in die Grundposition, indem du die Arme nach oben schwingst.

SITZSPRUNG



1. Landen Sie in einer flachen Sitzposition.
2. Legen Sie die Hände neben den Hüften auf die Matte,
3. aber schließen Sie die Ellbogen nicht ein.
4. In die aufrechte Position zurückkehren, indem man sich mit den Händen abstößt.

DER 180 GRAD SPRUNG



1. Beginne mit der Front Bounce Position
2. Stoßen Sie sich mit den linken oder rechten Händen und Armen ab (je nachdem, in welche Richtung Sie sich drehen möchten).
3. Halten Sie Kopf und Schultern in der gleichen Richtung, während Sie den Rücken parallel zur Matte und den Kopf nach oben halten.
4. Lande in der Bauchlage und kehre in den Stand zurück



VERSTIKKINGSGEVAAR

Kleine onderdelen. Niet geschikt voor kinderen onder de 6 jaar.

HET PRODUCT MOET DOOR EEN VOLWASSENE GEMONTEERD WORDEN.

Beschrijving potentieel gevaar, bv in ongemonteerde toestand bevat het potentieel gevaarlijke punten, zorg ervoor dat baby's er niet bij kunnen.

Alleen geschikt voor particulier gebruik. Bewaar deze informatie.

SPRING VEILIG OP UW TRAMPOLINE

VOORDAT U DEZE TRAMPOLINE GEBRUIKT, DIENT U ALLE INFORMATIE IN DEZE HANDLEIDING ZORGVULDIG DOOR TE NEMEN. OM HET RISICO OP LETSEL TE VERMINDEREN, DIENT U DE ONDERSTAANDE VEILIGHEIDSREGELS EN TIPS IN ACHT TE NEMEN.

- Controleer de trampoline voor elk gebruik op slijtage, losse of ontbrekende onderdelen.
- Montage en onderhoud van het product, veiligheidstips, waarschuwingen, en de juiste technieken bij het springen zijn allemaal opgenomen in deze handleiding.
- Alle gebruikers en personen die toezicht houden dienen deze handleiding te lezen en zich hiermee vertrouwd te maken.
- Alle gebruikers moeten zich bewust zijn van hun eigen beperkingen bij het uitvoeren van sprongen en bounces met deze trampoline.
- Alleen voor huishoudelijk gezinsgebruik.
- Het veiligheidsnet moet worden aangebracht als de lengte/diameter/diagonalen van het frame groter is dan 2,5m.

WAARSCHUWING!

Verkeerd gebruik en misbruik van deze trampoline is gevaarlijk en kan ernstig letsel of de dood tot gevolg hebben



IET MEER DAN ÉÉN PERSOON
TEGELIJK OP DE TRAMPOLINE!
MEERDERE SPRINGERS VERHOOGEN
HET RISICO OP VERWONDINGEN
ZOALS NEK-, BEEN-,
RUG- OF HOOFDLETSEL



MAAK GEEN SALTO'S,
AANGEZIEN DIT HET RISICO OP
EEN LANDING OP HET HOOFD
OF DE NEK VERHOOGT, MET ALS
GEVOLG EEN VERHOOGD RISICO
OP ERNSTIG LETSEL OF OVERLIJDEN

AANVULLENDE INFORMATIE

Zoals elke activiteit waarbij uw lichaam in beweging wordt gebracht, brengt het springen op trampolines bepaalde risico's met zich mee. Om het risico op letsel te verminderen raden wij het gebruik van een veiligheidsnet aan om te voorkomen dat gebruikers van de trampoline vallen. De omheining mag niet worden gebruikt om opzettelijk van de zijkanten te springen. Geen enkel apparaat kan uw veiligheid volledig garanderen en veilig spelen blijft uw verantwoordelijkheid, maar een veiligheidsnet vermindert het risico op letsel aanzienlijk. Laat nooit meer dan één persoon tegelijk op de trampoline. Probeer geen omwentelingen, of salto's te maken. We raden ook aan om een schokabsorberend oppervlak te gebruiken op de grond rond de trampoline.



WAARSCHUWING!

GEbruikers EN BEGELEIDERS:

- Waarschuwing! Geen salto's.
- Waarschuwing! Alleen buiten gebruiken.
- Waarschuwing! Springen zonder schoenen.
- Waarschuwing! Lees altijd de instructie.
- Waarschuwing! Toezicht door volwassenen vereist.
- Waarschuwing! Slechts één gebruiker, botsingsgevaar.
- Waarschuwing! Niet verlaten door te springen.
- Waarschuwing! Niet eten tijdens het springen.
- Waarschuwing! Gebruik de mat niet als deze nat is.
- Waarschuwing! Niet gebruiken bij sterke wind.
- Waarschuwing! Laat de trampoline niet in de grond zakken.
- Waarschuwing! Maak zakken en handen leeg voor het springen.
- Waarschuwing! Sluit altijd de netopening voordat u springt.
- Waarschuwing! Springmat en/of net moeten elk jaar vervangen worden.
- Waarschuwing! Beperk de tijd van continu gebruik (houd regelmatig pauzes).
- Waarschuwing! Zet de trampoline tijdens gebruik altijd vast met door middel van bevestigingsmaterialen.
- Waarschuwing! Controleer of mat, bekleding en omheining vrij zijn van gebreken.
- Waarschuwing! Gebruik de trampoline niet als u alcohol of verdoovende middelen heeft gebruikt.
- Waarschuwing! Spring altijd in het midden van de mat en zet de trampoline vast.
- Waarschuwing! In bepaalde landen kan tijdens de winterperiode de trampoline door de sneeuwlast en de zeer lage temperatuur beschadigd raken. Het wordt aanbevolen om de sneeuw te verwijderen en de mat en de overdekking binnen op te slaan.
- Waarschuwing! U moet gecontroleerd en voorzichtig op- en afklimmen. Spring nooit op of van de trampoline en gebruik de trampoline nooit als een apparaat om op of tegen een ander voorwerp te springen.
- Waarschuwing! De trampoline moet worden gemonteerd door een volwassene volgens de montage instructies en daarna worden gecontroleerd vóór het eerste gebruik.
- Waarschuwing! Het maximale gebruikersgewicht is:

Ronde Trampoline		Ovale Trampoline		Rechthoekige Trampoline	
<Ø8ft.(2.5M)	>Ø8ft.(2.5M)	<Ø438x310cm	>Ø360x264cm	<Ø432x303cm	>Ø318x212cm
50kg	100kg	120kg	100kg	120kg	100kg

WAARSCHUWING!

1. Probeer GEEN salto's te maken en sta deze ook NIET toe. Een landing op het hoofd of de nek kan ernstig letsel, verlamming of de dood tot gevolg hebben, zelfs wanneer men in het midden van de mat landt.
2. Laat NIET meer dan één persoon tegelijk op de trampoline. Gebruik door meer dan één persoon tegelijkertijd kan leiden tot ernstig letsel.
3. Gebruik de trampoline alleen onder volwassenen, volwassen toezicht met kennis van zaken.
4. Trampolines hoger dan 51 cm (20 in.) hoog worden niet aanbevolen voor gebruik door kinderen jonger dan 6 jaar.
5. Inspecteer de trampoline voor elk gebruik. Zorg ervoor dat het frame Pad correct en veilig geplaatst is. Vervang alle versleten, defecte of ontbrekende onderdelen.
6. Klim op en van de trampoline. Spring niet van de trampoline op de vloer of de grond bij het afbreken, of op de trampoline bij het opzetten. Gebruik de trampoline niet als springplank naar andere voorwerpen.
7. Stop het springen door de knieën te buigen wanneer de voeten in contact komen met de trampolinemat. Leer deze vaardigheid voordat u andere probeert.
8. Leer de fundamentele sprongen en lichaamshoudingen grondig alvorens meer geavanceerde manoeuvres uit te proberen. Een verscheidenheid aan trampoline manoeuvres kan worden uitgevoerd door de basisbeginselen in verschillende combinaties uit te voeren, door het ene fundament na het andere uit te voeren, met of zonder voetstoten ertussen. Raadpleeg de sectie basissprongen in deze handleiding.
9. Vermijd te hoge sprongen. Houd het bij lage sprongen totdat u controle heeft over uw sprongen en herhaalde landingen in het midden van de trampoline bereikt zijn.
10. Controle is belangrijker dan hoogte.
11. Houd tijdens het springen uw hoofd omhoog en kijk naar voren met de ogen gericht op de omtrek van de trampoline. Dit zal helpen het evenwicht te controleren.
12. Spring niet wanneer u moe bent of voor langere periodes.
13. Zet de trampoline goed vast als hij niet wordt gebruikt en voorkom gebruik door onbevoegden. Als een trampolinetrap wordt gebruikt, verwijder deze dan van de trampoline als u het terrein verlaat om te voorkomen dat kinderen jonger dan 6 jaar zonder toezicht op de trampoline kunnen komen.
14. Zorg voor een vrije ruimte rond de trampoline en verwijder voorwerpen die de gebruiker kunnen hinderen.
15. Gebruik de trampoline niet terwijl u onder invloed bent van alcohol of drugs.
16. Voor informatie over vaardigheden & training, neem contact op met een gecertificeerde trampoline-instructeur.
17. Spring alleen als de mat droog is. De trampoline mag niet gebruikt worden in winderige omstandigheden.
18. Lees alle instructies voordat u de trampoline gebruikt. Waarschuwingen en instructies voor de verzorging, het onderhoud en het gebruik van deze trampoline zijn opgenomen om een veilig en plezierig gebruik van dit materiaal te bevorderen.
19. Draag GEEN schoenen met harde zolen, omdat deze overmatige slijtage aan de mat veroorzaken.
20. Draag GEEN sieraden, haakjes, knopen of andere uitsteeksels die op de mat kunnen blijven haken.
21. Spring in het midden van de mat.

MONTAGE

1. Zorg voor voldoende vrije ruimte boven het hoofd. Een minimum van 8 meter (26 voet) vanaf de grond wordt aanbevolen. Zorg voor ruimte voor kabels, boomtakken en andere mogelijke gevaren.
2. Zorg voor voldoende zijdelingse vrije ruimte.
3. Plaats de trampoline niet in de buurt van muren, constructies, hekken, zwembaden en andere speelplaatsen. Zorg voor een vrije ruimte aan alle kanten van de trampoline.
4. Plaats de trampoline voor gebruik op een vlakke ondergrond.
5. Gebruik de trampoline in een goed verlichte ruimte. Kunstmatige verlichting kan nodig zijn voor schaduwrijke gebieden.
6. Zet de trampoline vast op een veilige plaats.
7. Verwijder eventuele obstakels van onder de trampoline.
8. De eigenaar en de toezichthouders van de trampoline zijn verantwoordelijk om alle gebruikers bewust te maken van de in de instructies aangegeven praktijken.

TRAMPOLINE & ENCLOSURE COMBO



INTRODUCTIE

Raadpleeg altijd een arts voordat u enige vorm van lichamelijke activiteit

BEWAAR DEZE INFORMATIE VOOR TOEKOMSTIG GEBRUIK

INFORMATIE OVER HET GEBRUIK VAN DE TRAMPOLINE

Raak in het begin gewend aan het gevoel en het springen op de trampoline. De nadruk moet liggen op de grondbeginselen van je lichaamshouding en je moet elke sprong (de basissprongen) oefenen tot je ze allemaal met gemak en controle kunt uitvoeren.

Om een sprong af te remmen, buig je je knieën scherp voordat je voeten in contact komen met ze op. Deze techniek moet geleerd worden terwijl je de basissprongen aan het leren bent. De vaardigheid van het remmen moet worden gebruikt wanneer je je evenwicht of de controle over je sprong verliest.

Leer altijd eerst de eenvoudigste sprong en wees consequent in de controle van je sprong voordat je verder gaat met moeilijkere en gevorderde sprongen. Een gecontroleerde sprong is wanneer je opstijgpunt en landingspunt op dezelfde plek op de mat zijn. Als je naar de volgende sprong gaat zonder eerst de vorige onder de knie te hebben, vergroot je het risico op blessures.

Spring niet te lang op de trampoline, want vermoeidheid kan het risico op blessures vergroten. Spring slechts voor een korte periode. Er mag maar één persoon tegelijk op de trampoline springen.

Springers moeten een T-shirt, korte broek of sweater dragen en normale gym schoenen, zware sokken of blootsvoets zijn. Als je nog maar net begint, kun je beter een shirt met lange mouwen en een broek met lange pijpen dragen om je te beschermen tegen schrammen en schaafwonden, totdat je de juiste landingspositie en vorm onder de knie hebt. Draag geen schoenen met harde zool, zoals tennisschoenen, op de trampoline, omdat dit overmatige slijtage van de mat veroorzaakt.

U moet altijd op de juiste manier op- en afstappen om letsel te voorkomen. Om op de juiste manier op te stappen, moet u uw hand op het frame plaatsen en op het frame stappen of rollen, over de veren heen, en op de trampolinemat. Denk er altijd aan om uw handen op het frame te plaatsen bij het op- en afbouwen. Stap niet rechtstreeks op het randkussen en pak het randkussen niet vast. Om van de trampoline af te stappen, gaat u naar de zijkant van de trampoline, legt u uw hand op het frame als steun en stapt u van de mat op de grond. Kleinere kinderen moeten worden geholpen bij het op- en afstappen.

Spring niet roekeloos op de trampoline, want dat verhoogt het risico op letsel. De sleutel tot veiligheid en plezier op de trampoline is controle en beheersing van de verschillende sprongen. Probeer nooit een andere springer te overtreffen in termen van hoogte! Gebruik de trampoline nooit zonder toezicht.

ONGEVALSClassificatie

Op- en afstappen: Wees zeer voorzichtig bij het op- en afstappen van de trampoline. Stap NIET op de trampoline door het randkussen vast te pakken, door op de veren te stappen of door op de mat te springen vanaf een oppervlak (bijv. een plankier, dak of ladder), omdat u dan een groter risico op letsel loopt. Stap NIET af door van de trampoline af te springen. Als kleine kinderen op de trampoline spelen, kunnen zij hulp nodig hebben bij het op- en afstappen.

Gebruik van alcohol of drugs: Gebruik GEEN alcohol of drugs voor of tijdens het gebruik van deze trampoline, omdat dit uw beoordelingsvermogen, reactietijd en algehele lichamelijke coördinatie zal aantasten.

Stoten van het frame of de veren: Wanneer u op de trampoline springt, STA in het midden van de mat. Zo vermindert u het risico op verwondingen door het frame of de veren. Laat het randkussen altijd op het frame zitten NIET op het randkussen springen of stappen, het is niet bedoeld om het gewicht van een persoon te dragen.

Verlies van controle: Probeer GEEN moeilijke sprongen uit voordat u de eerder geleerde sprongen onder de knie heeft, want dit verhoogt uw risico op letsel. Een gecontroleerde sprong is wanneer uw opstijgpunt en landingspunt dezelfde plek op de mat is. Als je de controle verliest bij het springen op de trampoline, buig dan scherp door je knieën als je landt en zo kun je je sprong stoppen en de controle terugkrijgen.

Salto's (Flip's): GEEN salto's van welke aard dan ook (achterwaarts of voorwaarts) op deze trampoline, omdat dit uw risico op letsel aan uw nek of rug verhoogt, wat kan resulteren in de dood of verlamming.

Vreemde voorwerpen: Gebruik de trampoline NIET als er (huis)dieren, andere mensen, voorwerpen onder, boven of in de buurt van de trampoline zijn, omdat dit het risico op het ontstaan van een verwonding vergroot. Houd GEEN vreemde voorwerpen in uw hand en plaats GEEN voorwerpen op de trampoline. Let op wat zich boven uw hoofd bevindt wanneer u de trampoline gebruikt. Boomtakken, draden of andere voorwerpen die zich boven de trampoline bevinden, kunnen tot verwondingen leiden.

Slecht onderhoud van de trampoline: Een trampoline in slechte staat verhoogt uw risico op letsel. Controleer de trampoline voor elk gebruik op verbogen stalen buizen, gescheurde matten, losse of gebroken veren en algemene stabiliteit van de trampoline.

Weersomstandigheden: Wees u bewust van de weersomstandigheden wanneer u de trampoline gebruikt. Gebruik de trampoline niet als de mat nat is. Gebruik de trampoline niet in winderige omstandigheden.

Toegang beperken: Wanneer de trampoline niet in gebruik is, berg de toegangsladder altijd op een veilige plaats op om toegang door onbevoegden en zonder toezicht te voorkomen.

TIPS OM HET RISICO OP ONGEVALLLEN TE VERMINDEREN

De rol van de springer in het voorkomen van ongevallen

Blijf je sprongen onder controle houden. Ga NIET verder met meer ingewikkelde of moeilijkere manoeuvres tot je de basis, fundamentele sprong, onder de knie hebt. Opleiding is de sleutel tot veiligheid. Lees, begrijp en oefen alle veiligheidsvoorzorgen en waarschuwingen voordat u de trampoline gebruikt. Een gecontroleerde sprong is wanneer u landt en opstijgt vanaf hetzelfde punt op de mat. Neem voor aanvullende veiligheidstips en instructies contact op met een gediplomeerde trampoline-instructeur.

- Spring altijd in het midden van de mat. Springen aan de rand van het bed kan leiden tot letsel en kan ook de veren uitrekken. Het randkussen is niet ontworpen of bedoeld om het gewicht van de trampolinegebruiker te dragen. Stap of spring niet rechtstreeks op het randkussen.
- Voorkom dat u te hoog springt. Blijf laag tot u uw sprong kunt controleren en land consequent in het midden van het bed.
- Om weer controle te krijgen en uw sprong te stoppen, buigt u snel door uw knieën wanneer u landt.
- Gebruik de trampoline niet als je onder invloed bent van alcohol of drugs.
- Geef elke springer een korte beurt op de trampoline. Langdurig springen stelt een oververmoeide gebruiker bloot aan een verhoogd risico op letsel. Langere beurten hebben de neiging om de interesse van anderen die wachten om te springen te verminderen.
- De trampolinemat bevindt zich enkele meters van de grond. Als u van de trampoline op de grond of op een ander oppervlak springt, kunt u letsel oplopen. Ook het springen op de trampoline vanaf een dak, vlonder of ander voorwerp houdt een risico op letsel in. Kleinere kinderen kunnen hulp nodig hebben bij het op- en afgaan van de trampoline. Correct op- en afstappen moet vanaf het begin een strikte regel zijn. Gebruikers moeten op de trampoline klimmen door hun handen op het frame te plaatsen en op het frame te stappen of te rollen, over de veren heen, en op de mat (bed). Stap niet rechtstreeks op het randkussen en pak het randkussen niet vast bij het op- en afbouwen van de trampoline. Gebruikers moeten altijd hun handen op het frame plaatsen tijdens het op- en afbouwen. Om af te stappen, moeten springers naar de zijkant van de mat (bed) lopen, bukken en één hand op het frame plaatsen, en dan van de mat op de grond stappen.
- Verwondingen kunnen ontstaan door het frame te raken of door de veren te vallen tijdens het springen of het op- en afstappen van de trampoline. Blijf in het midden van de trampolinemat wanneer u springt. **ZORG ERVOOR DAT HET RANDKUSSEN TE ALLEN TIJDE HET FRAME AFDEKT.** Het randkussen is niet ontworpen of bedoeld om het gewicht van de trampolinegebruiker te dragen. Stap of spring niet rechtstreeks op het randkussen.



De rol van de toezichthouder in het voorkomen van ongelukken

De toezichthouder moet alle veiligheidsregels en -richtlijnen begrijpen en naleven. Het is de verantwoordelijkheid van de toezichthouder om deskundig advies en begeleiding te geven aan alle springers. Als er geen of onvoldoende toezicht is, moet de trampoline worden gedemonteerd en op een veilige plaats opgeborgen om gebruik door onbevoegden te voorkomen. De toezichthouder is er ook verantwoordelijk voor dat het veiligheidsplaatje op de trampoline wordt geplaatst en dat de springers op de hoogte worden gebracht van deze waarschuwingen en instructies.

VEILIGHEIDSINSTRUCTIES VOOR TRAMPOLINE GEBRUIKERS:

TRAMPOLINE GEBRUIKERS

- Gebruik de trampoline niet terwijl u onder invloed bent van alcohol of enige drugs.
- Verwijder alle harde scherpe voorwerpen van uw persoon voordat u de trampoline gebruikt.
- Klim op en af op een gecontroleerde en voorzichtige manier. Spring niet op of van de trampoline en gebruik nooit de trampoline als een apparaat om op of in een ander voorwerp te springen.
- Leer de basissprongen en beheers elke sprong voordat u moeilijkere sprongen probeert. Bekijk de Basis Vaardigheden Sectie om te leren hoe de basics.
- Om uw sprong te stoppen, buig uw knieën als uw voeten in contact komen met de mat.
- Heb altijd de controle als je op de trampoline springt. Een gecontroleerde sprong is wanneer u landt op hetzelfde punt waar u bent opgestegen. Als u op enig moment het gevoel heeft dat u de controle verliest, stop dan.
- Houd de springperiodes kort.
- Houd uw ogen op de mat om controle te houden. Als u niet doet, kunt u de controle verliezen.
- Nooit meer dan 1 persoon op de trampoline op elk moment
- Gebruik de trampoline altijd onder toezicht van een volwassene.
- Volwassenen moeten deze trampoline in elkaar zetten.
- Er mogen geen wijzigingen worden uitgevoerd aan de trampoline of een van zijn onderdelen. Elke wijziging kan leiden tot schade aan het product of tot persoonlijk letsel.

TOEZICHT

Leer jezelf de basis sprongen en veiligheidsregels. Handhaaf alle veiligheidsregels en zorg ervoor dat nieuwe springers de basissprong leren alvorens moeilijkere en meer gevorderde sprongen te proberen.

- Alle springers moeten onder toezicht staan, ongeacht hun vaardigheidsniveau of leeftijd.
- Gebruik de trampoline nooit als hij nat, beschadigd, vuil of versleten is. De trampoline moet geïnspecteerd worden voordat er springers op beginnen te springen.
- Houd alle voorwerpen die de springer kunnen hinderen uit de buurt van de trampoline. Wees bewust van wat er boven, onder, en rond de trampoline is.
- Voorkom gebruik zonder toezicht en onbevoegd gebruik. De trampoline moet beveiligd worden als hij niet gebruikt wordt.

PLAATSING VAN DE TRAMPOLINE

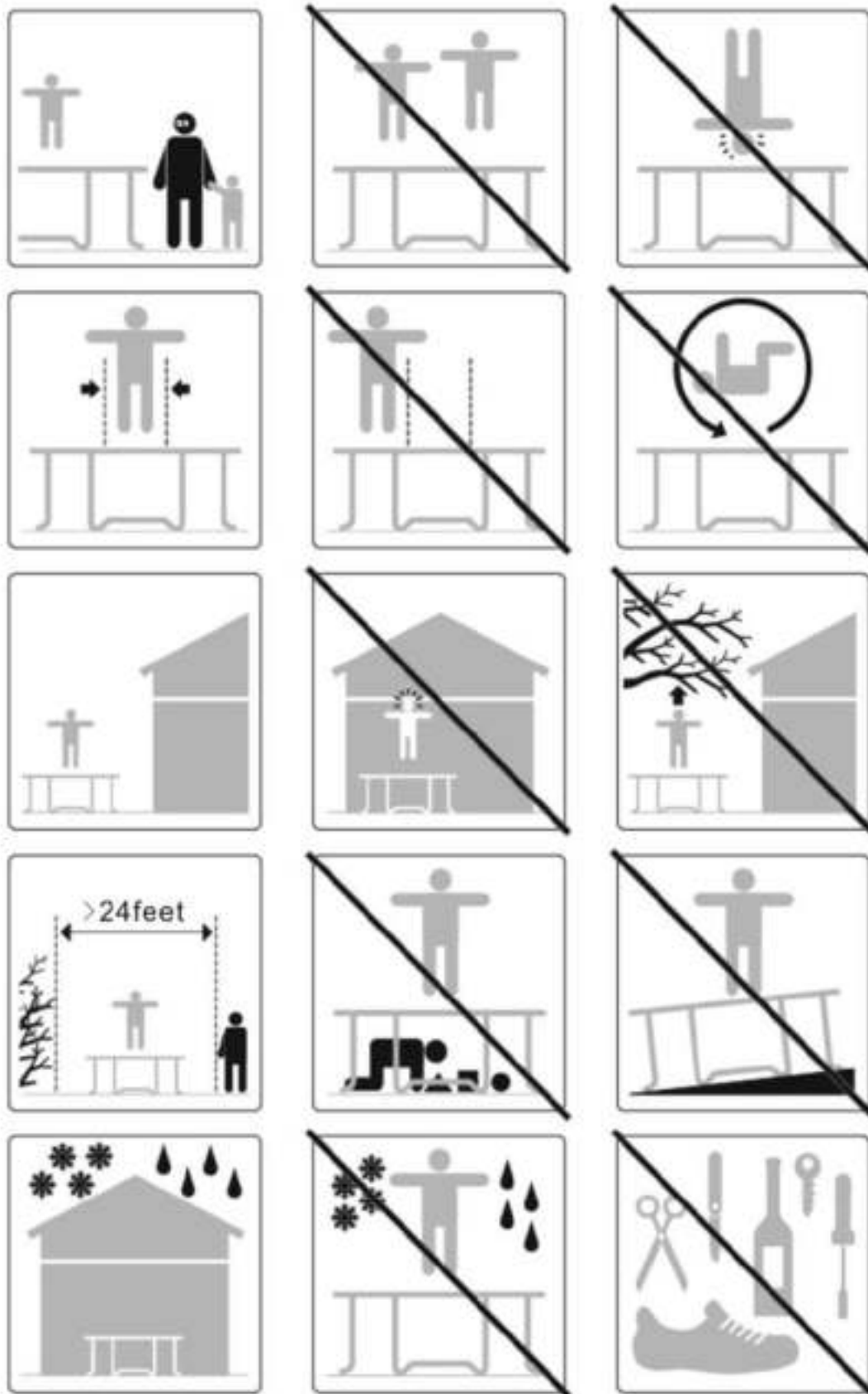
De minimum vrije hoogte boven het hoofd is 8 meter. Zorg ervoor dat er zich geen gevaren of obstructies in de buurt van de trampoline bevinden, zoals boomtakken, schommels, zwembaden, elektriciteitsdraden, muren, hekken, enz.

Let op het volgende bij het kiezen van een plaats voor uw trampoline:

- De trampoline moet op een vlakke ondergrond worden geplaatst.
- Het gebied moet goed verlicht zijn.
- Alle obstakels boven, onder of rond de trampoline moeten verwijderd worden.
- Gebruik deze trampoline niet binnenshuis
- Gebruik deze trampoline niet op een glad vloeroppervlak, oneffen of hellend grondoppervlak
- Gebruik de trampoline niet op een harde ondergrond, beton etc., omdat dit het frame kan beschadigen
- De trampoline moet goed op de grond vastgezet worden om te voorkomen dat hij verschuift tijdens het springen.

WAARSCHUWING!

U verhoogt het risico dat iemand gewond raakt als u zich niet aan deze richtlijnen houdt.



ONDERHOUD

- **ALGEMEEN** Uw trampoline is ontworpen om het hele jaar door buiten te staan en vergt over het algemeen zeer weinig onderhoud. Toch kan een beetje zorg en voorzichtigheid de levensduur van uw trampoline om jaren verlengen. Vergeet niet dat de springmat en het beschermrand van synthetisch materiaal zijn gemaakt en gemakkelijk beschadigd kunnen worden door sigarettenpeuken, vuurwerk en afval van bv. een vreugdevuur.
- **FRAME** Ga tijdens het gebruik van de trampoline niet op het frame of het beschermrand zitten of staan, omdat dit de natuurlijke reflexwerking van het frame belemmert. Olie of vaseline aanbrengen op de plaats waar de veren in het frame haken, vermindert piepen en slijtage van de framegaten. Als er roest aan de oppervlakte komt, moet dit worden verwijderd met een staalborstel of grof schuurpapier, en moet het gebied worden behandeld met een niet-giftige verf.
- **BESCHERMRAND** beschermrand (frame pads) zijn er om de gebruiker te beschermen tegen een val of landing op de veren en het frame. Er mag in geen geval op worden gestaan of gezeten als de trampoline in gebruik is. U moet er ook op letten dat kleinere gebruikers de binnenranden van het beschermrand niet als "handvat" gebruiken om op de trampoline te klimmen.
- **DE MAT** De mat (springmat) zal in de loop der jaren geleidelijk verzwakken door de inwerking van ultraviolette straling. Hoe meer hij dus beschermd kan worden tegen direct zonlicht, hoe langer hij zal meegaan. Een beetje schimmel of meeldauw kan de mat niet beschadigen. Zorg ervoor dat schoenen worden uitgedaan voordat u gaat springen en zorg ervoor dat andere scherpe voorwerpen zoals riemgespen, broches en juwelen ook worden verwijderd.
- **DE VEREN** Ga niet op de veren staan als de trampoline in gebruik is. Probeer niet op de veren te springen. Ze zijn niet ontworpen voor dit soort belasting en kunnen uitgerekt, misvormd en verzwakt raken. Als u merkt dat de veren uitgerekt zijn, is het belangrijk ze zo snel mogelijk te vervangen om schade aan de trampolinemat te voorkomen en overbelasting en daardoor beschadiging van de resterende goede veren te vermijden.

Deze trampoline is ontworpen en vervaardigd met kwaliteitsmaterialen en vakmanschap. Met de juiste zorg en onderhoud, zal het alle springers jaren van oefening, pret en plezier geven. Gelieve de onderstaande richtlijnen te volgen:

Springers moeten sokken, gymnastiekschoenen dragen of op blote voeten springen wanneer ze de trampoline gebruiken. Straatschoenen of tennisschoenen mogen NIET gedragen worden tijdens het gebruik van de trampoline. Om schade te beperken mogen er geen huisdieren op de mat komen. Springers moeten alle scherpe voorwerpen van hun persoon verwijderen voordat ze de trampoline gebruiken. Alle scherpe of puntige voorwerpen moeten ten alle tijden van de trampolinemat verwijderd blijven.

Controleer de trampoline voor elk gebruik op versleten, beschadigde of ontbrekende onderdelen.

Let op:

- Prikken, gaten of scheuren in de trampolinemat
- Doorgezakte trampolinemat
- Losse stiksels of enige vorm van verslechtering van de mat
- Verbogen of gebroken framedelen, zoals de poten
- Gebroken, ontbrekende of beschadigde veren
- Beschadigd, ontbrekend, of niet goed bevestigd randkussen
- Alle soorten uitsteeksels (vooral scherpe) op het frame, de veren of de mat
- Er mogen geen wijzigingen worden aangebracht aan de trampoline of een van de onderdelen ervan.
- Elke wijziging kan leiden tot beschadiging van het product of tot persoonlijk letsel.
- Controleer of alle bouten en moeren goed vastzitten en draai ze zo nodig vast.
- Controleer of alle veerverbindingen (pitpenen) nog intact zijn en tijdens het spel niet kunnen losraken.
- Controleer alle bekledingen en scherpe randen en vervang deze indien nodig.
- Bewaar de onderhoudsinstructies.
- Buitentrampolines moeten voorzien zijn van een voorziening die bij sterke wind verplaatsing door wind voorkomt (b.v. stalen staven in de grond of ladingen zoals zandzak of waterzak) en/of zaken die wind vangen zoals net en mat moeten worden verwijderd.
- In bepaalde landen kan de trampoline in de winter beschadigd raken door de sneeuwbelasting en de zeer lage temperatuur. Het wordt aanbevolen om de sneeuw te verwijderen en de mat en de overdekking binnen op te slaan.
- Controleer of de mat, de vulling, de omheining en het zachte oppervlak geen gebreken vertonen.

ALS U ÉÉN VAN DE BOVENSTAANDE PROBLEMEN CONSTAAT OF IETS ANDERS DAT VOLGENS U SCHADE KAN TOEBRENGEN AAN EEN GEBRUIKER, MOET DE TRAMPOLINE WORDEN GEDEMONTEERD OF BEVEILIGD TEGEN GEBRUIK TOTDAT DE TOESTAND(EN) IS (ZIJN) VERHOLPEN.

WINDERIGE OMSTANDIGHEDEN

Bij harde wind kan de trampoline omwaaien. Als u winderige weersomstandigheden verwacht, moet de trampoline worden verplaatst naar een beschutte plaats of worden gedemonteerd. Voor de veiligheid bij normale weersomstandigheden, moeten ten minste drie bevestigingspunten worden gebruikt. Maak het frame van de trampoline aan de grond vast. Het is onvoldoende om alleen de poten van de trampoline aan de grond vast te maken, omdat ze de contactdozen van het frame kunnen uittrekken.

VERPLAATSEN VAN DE TRAMPOLINE

Bij het verplaatsen van de trampoline hebt u de hulp van een andere volwassene nodig. Alle verbindingpunten moeten stevig worden omwikkeld met weerbestendige tape, zoals ducttape. Zo blijft het frame tijdens de verhuizing intact en wordt voorkomen dat de verbindingpunten losraken en losraken. Til de trampoline tijdens de verhuizing iets van de grond en houd hem horizontaal ten opzichte van de grond. Voor elk ander type verhuizing moet u de trampoline demonteren. Voer na elke verhuizing een volledige veiligheidsinspectie uit.

TRAMPOLINES IN DE GROND / OP DE GROND (INGEGRAVEN / OP FRAME)

Leest u onderstaande informatie goed door en raadpleeg de montagehandleiding voor de volgende stappen:

- Hoe het gat moet worden gemaakt bij de montage van de trampoline (diepte/vorm/inclinatie van het gat enz.) inclusief een illustratie die de vorm van het gat beschrijft.
- Hoe voetbknelling moet worden vermeden als de trampoline is voorzien van een steunmuursysteem en, in het bijzonder, hoe openingen tussen de grond/het steunmuursysteem/frame moeten worden vermeden.
- Hoe de grond onder het zachte oppervlak moet worden voorbereid en beoordeeld, met inbegrip van een illustratie die de vorm van het voorbereide gebied beschrijft..

Het gat mag geen water ophopen (dus drainage is noodzakelijk) en het moet bij onderhoud kunnen worden schoongemaakt.

Waarschuwing! Vóór de montage van de trampoline moet een gat in de grond worden gegraven. Als u niet zeker bent van het grondwerk, neem dan contact op met een vakman!

GARANTIE

De eigenaar van de AXI Trampoline heeft na de datum van de aankoopnota:

- 2 jaar garantie op het breken van het frame
- 1 jaar garantie op de veren
- 1 jaar garantie op de beschermand en springdoek.
- 1 jaar garantie op het scheuren van het net

AXI behoudt het recht geen garantie te verlenen als er sprake is van:

- het ontbreken van een origineel aankoopbewijs;
- toepassing voor andere doeleinden dan waarvoor de AXI trampoline ontwikkeld is;
- een andere dan de voorgeschreven wijze van montage;
- het onvakkundig uitvoeren van technische reparaties;
- gebruik van de AXI trampoline op openbare plaatsen zoals scholen en kinderdagverblijven;
- verhuur van de AXI trampoline aan derden;
- het nalaten van de regelmatige controle op en waar nodig vervanging van onderdelen, schroeven en verbindingen.

LEREN VAN DE BASISVAARDIGHEDEN VAN DE TRAMPOLINE

De volgende lessen worden u voorgesteld om de basisstappen en -sprongen te leren. Voordat u de trampoline gebruikt, moet u alle waarschuwingen lezen en begrijpen. Een volledige bespreking en demonstratie van de lichaamsmechanica en de trampoline-richtlijnen moet ook plaatsvinden tussen de begeleider en de leerling. De sprongen zijn op de volgende pagina schematisch weergegeven.

Les 1

- A. Op- en afstappen - Demonstratie van de juiste technieken
- B. De basisstuit - Demonstratie en oefening
- C. Remmen (Check de Bounce - demonstratie) en oefenen. Leren remmen op commando
- D. Basis- en kniesprong demonstratie en oefening. Nadruk moet liggen op vierpuntslanding en uitlijning

Les 2

- A. Herziening en oefening van de in Les 1 geleerde technieken.
- B. Kniebots - Demonstratie en oefening. Leer de basis van neer naar knie en terug omhoog alvorens de halve draai naar links en rechts te proberen.
- C. Zitsprong - Demonstratie en oefening. Leer de basis zitsprong en voeg dan een kniesprong toe, handen en knieën herhalen

Les 3

- A. Herhaal en oefen de vaardigheden en technieken uit de vorige lessen.
- B. Buiksprong (of buikdrop) - Om schuurplekken op de mat te vermijden en de frontale spronghouding aan te leren, moet aan alle leerlingen gevraagd worden om de buikligging aan te nemen (met het gezicht naar beneden op de grond) terwijl de instructeur controleert op foutieve houdingen die blessures kunnen veroorzaken
- C. Begin met een basis- en kniesprong en strek dan het lichaam uit in buikligging en op de mat en keer terug naar de voeten
- D. Oefenroutine- basis- en kniesprong, buiksprong, terugkeer naar de staande positie, zitsprong, terugkeer naar staande positie, zitsprong, terugkeer naar staande positie

Les 4

- A. Herhaal en oefen de vaardigheden en technieken geleerd in de vorige lessen.
- B. Halve draai
 1. Start vanuit de voorste valpositie en als je contact maakt met de mat, duw je af met de armen in de rechter- of linker richting en draai je hoofd en schouders in dezelfde richting
 2. Zorg ervoor dat je tijdens de draai je rug parallel aan de mat houdt en je hoofd omhoog
 3. Na het afronden van de draai, land in de voorover val positie.

Na deze les heeft de leerling nu een basiskennis van trampolinespringen. Springers moeten aangemoedigd worden om te proberen hun eigen routines te ontwikkelen met de nadruk op controle en vorm.

Een spel dat gespeeld kan worden om leerlingen aan te moedigen routines te ontwikkelen is "BOUNCE". Bij dit spel tellen de spelers af van 1 tot X. Speler één begint met een manoeuvre. Speler twee moet de manoeuvre van Speler één doen en er nog een aan toevoegen. Elke speler moet de manoeuvre goed uitvoeren in de juiste volgorde. De eerste die mist krijgt de letter "B". Dit gaat zo door totdat iemand het woord "BOUNCE" uitspelt. De laatst overgebleven deelnemer is de winnaar! Ook bij dit spel is het belangrijk dat je je routines onder controle uitvoert en geen moeilijke of zeer geoefende sprongen probeert die je nog niet onder de knie hebt.

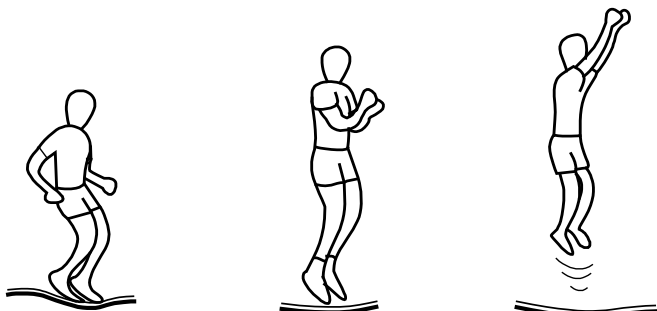
Neem contact op met een gediplomeerde trampoline-instructeur om uw trampolinevaardigheden verder te ontwikkelen.

TRAMPOLINE & ENCLOSURE COMBO



BASIS TRAMPOLINE SPRONGEN

BASISSPRONG



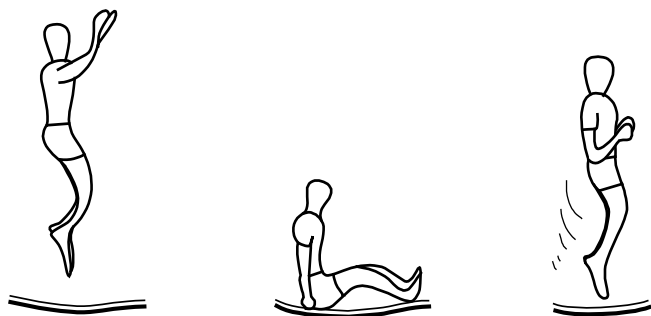
1. Begin vanuit staande positie met de voeten op schouderbreedte uit elkaar, hoofd omhoog en ogen op de mat gericht.
2. Zwaai uw armen naar voren, buig uw knieën en zwaai uw armen omhoog in een draaiende beweging.
3. Gooi uw voeten in de lucht met uw tenen naar de mat gericht.
4. Land op mat met uw voeten op schouderbreedte uit elkaar.

KNIESPRONG



1. Begin met een lage basissprong.
2. Land op de knieën, houd het lichaam rechtop met gestrekte rug en gebruik uw armen om uw evenwicht te bewaren.
3. Zwaai uw armen omhoog om terug te stuiten naar de positie voor de basissprong.

ZITSPRONG



1. Land op uw zitvlak.
2. Plaats uw handen op de mat naast uw heupen.
3. Duw uzelf met de handen terug naar staande positie.

HALVE SCHROEF



1. Maak een buiklanding.
2. Duw uzelf, vanaf het moment dat u in aanraking komt met de mat, omhoog met de linker- of rechterhand en arm (afhankelijk van de gekozen draairichting).
3. Zorg ervoor dat tijdens het draaien in horizontale positie blijft. Maak na de draai een buiklanding en veer terug in de staande positie.



RISQUE D'ÉTOUFFEMENT

Petit matériel. Ne convient pas pour les enfants de moins de 6 ans.

LE PRODUIT DOIT ÊTRE ASSEMBLÉ PAR UN ADULTE.

Description de risque potentiel, par exemple, Démonté, contient des pointes potentiellement dangereuses. À conserver hors de portée des enfants en bas âge.

Convient uniquement pour l'utilisation. Conserver pour une consultation ultérieure.

REBONDIR EN TOUTE SÉCURITÉ SUR VOTRE TRAMPOLINE

AVANT D'UTILISER CE TRAMPOLINE, VEUILLEZ LIRE ATTENTIVEMENT TOUTES LES INFORMATIONS FOURNIES DANS CE MANUEL.

Pour réduire le risque de blessures, veillez à bien respecter les règles et les conseils de sécurité indiqués ci-dessous.

- Inspectez le trampoline avant chaque utilisation pour vérifier l'absence d'usure, de pièces lâches ou manquantes.
- L'assemblage, le soin et l'entretien du produit, les conseils de sécurité, les avertissements et les techniques appropriées pour sauter et rebondir sont tous inclus dans ce manuel.
- Tous les utilisateurs et les personnes responsables des utilisateurs doivent lire et se familiariser avec ces instructions.
- Tous les utilisateurs doivent être conscients de leurs propres limites lorsqu'ils effectuent des sauts et des rebonds avec ce trampoline.
- Destiné uniquement à un usage domestique familial.
- Le filet de sécurité doit être monté si la longueur/le diamètre/les diagonales de l'armature sont supérieurs à 2,5m.

AVERTISSEMENT!

Une mauvaise utilisation ou une utilisation abusive de ce trampoline est dangereuse et peut causer des blessures graves, voire mortelles



PAS PLUS D'UNE PERSONNE À LA FOIS SUR LE TRAMPOLINE ! SAUTER À PLUSIEURS PERSONNES SUR LE TRAMPOLINE AUGMENTENT LE RISQUE DE BLESSURES TELLES QUE DES FRACTURES DU COU, DES JAMBES, DU DOS OU DE LA TÊTE.



N'EFFECTUEZ PAS DE SAUTS PÉRILLEUX (SALTOS) CAR CELA AUGMENTERAIT LE RISQUE D'ATERRIR SUR LA TÊTE OU LE COU ET DONC LE RISQUE DE BLESSURE GRAVE OU DE DÉCÈS.

INFORMATIONS COMPLÉMENTAIRES

Comme toute activité qui met votre corps en mouvement, sauter sur un trampoline comporte certains risques. Pour diminuer le risque de blessures, nous recommandons l'utilisation d'un filet pour empêcher les utilisateurs de tomber du trampoline. Ce filet ne doit pas être utilisé pour rebondir intentionnellement dessus. Le filet réduit considérablement le risque de blessure mais aucun dispositif ne peut garantir complètement votre sécurité. Utiliser ce trampoline en toute sécurité reste votre responsabilité. Ne laissez jamais plus d'une personne monter sur le trampoline à la fois. N'essayez pas de faire des sauts arrière, des saltos ou des sauts périlleux. Nous suggérons également l'utilisation d'une surface absorbant les chocs sur le sol autour du trampoline.

AVERTISSEMENT!

SAUTEURS ET SURVEILLANTS :

- Avertissement ! Pas de sauts périlleux
 - Avertissement ! Utilisation en extérieur uniquement
 - Avertissement ! Sauter sans chaussures
 - Avertissement ! Toujours lire les instructions
 - Avertissement ! La surveillance d'un adulte est requise
 - Avertissement ! Un seul utilisateur, Risque de collision
 - Avertissement ! Ne pas sortir par un saut
 - Avertissement ! Ne pas manger en sautant
 - Avertissement ! Ne pas utiliser le tapis lorsqu'il est mouillé
 - Avertissement ! Ne pas utiliser dans des conditions de vent fort
 - Avertissement ! Ne pas enfoncer le trampoline dans le sol.
 - Avertissement ! Videz vos poches et vos mains avant de sauter
 - Avertissement ! Fermez toujours l'ouverture du filet avant de sauter
 - Avertissement ! Le tapis de saut et/ou le filet doivent être remplacés tous les ans.
 - Avertissement ! Limitez le temps d'utilisation continue (faites des arrêts réguliers).
 - Avertissement ! Fixez toujours le trampoline à l'aide du kit d'arrimage lorsqu'il est utilisé.
 - Avertissement ! Vérifiez que le tapis, le rembourrage et la clôture ne présentent aucun défaut ;
 - Avertissement ! N'utilisez pas le trampoline si vous avez consommé de l'alcool ou des drogues.
 - Avertissement ! Sautez toujours au milieu du tapis et fixez le trampoline.
 - Avertissement ! Dans certains pays, pendant la période hivernale, la charge de neige et la température très basse peuvent endommager le trampoline. Il est recommandé d'enlever la neige et de ranger le tapis et le filet de protection à l'intérieur.
 - Avertissement ! Vous devez monter et descendre du trampoline de manière contrôlée et prudente. Ne sautez jamais sur ou hors du trampoline et n'utilisez jamais le trampoline comme un dispositif pour rebondir sur ou dans un autre objet.
 - Avertissement ! Le trampoline doit être monté par un adulte conformément aux instructions de montage, puis contrôlé avant la première utilisation.
- Attention ! Le poids maximal de l'utilisateur est de :

Trampoline Ronde		Trampoline Ovale		Trampoline Rectangle	
<Ø8ft.(2.5M)	>Ø8ft.(2.5M)	<Ø438x310cm	>Ø360x264cm	<Ø432x303cm	>Ø318x212cm
50kg	100kg	120kg	100kg	120kg	100kg

AVERTISSEMENT!

1. NE PAS tenter ou permettre de faire des sauts périlleux. Atterrir sur la tête ou sur le cou peut provoquer des blessures graves, une paralysie ou la mort, même en atterrissant au milieu du tapis.
2. NE PAS autoriser plus d'une personne à la fois à monter sur le trampoline. L'utilisation par plus d'une personne en même temps peut entraîner des blessures graves.
3. N'utilisez le trampoline que sous la surveillance d'un adulte expérimenté.
4. Les trampolines de plus de 20 in. (51 cm) de hauteur ne sont pas recommandés pour les enfants de moins de 6 ans.
5. Inspectez le trampoline avant chaque utilisation. Assurez-vous que le coussin du cadre est correctement et solidement positionné. Remplacez toute pièce usée, défectueuse ou manquante.
6. Montez et descendez du trampoline. Ne sautez pas du trampoline directement sur le sol ou sur le plancher lorsque vous en descendez, ni sur le trampoline lorsque vous y montez. N'utilisez pas le trampoline comme tremplin pour tout type d'objets.
7. Entraînez-vous à arrêter le rebond en fléchissant les genoux lorsque les pieds entrent en contact avec le tapis du trampoline. Maîtriser bien cette technique avant d'en essayer d'autres.
8. Apprenez les rebonds fondamentaux et les positions du corps de manière approfondie avant d'essayer des manœuvres plus compliquées. Une variété de manœuvres de trampoline peut être réalisée en exécutant les fondamentaux de base dans différentes combinaisons, en exécutant une manœuvre fondamentale après l'autre, avec ou sans rebond des pieds entre eux. Reportez-vous à la section "Rebonds de base" de ce manuel.
9. Évitez de rebondir trop haut. Restez bas jusqu'à ce que le contrôle du rebond et de l'atterrissage répété au centre du trampoline soient bien maîtrisés. Le contrôle du rebond est plus important que sa hauteur.
10. Pendant que vous rebondissez, gardez la tête droite et tournée vers l'avant, les yeux fixés sur le périmètre du trampoline. Cela vous aidera à contrôler votre équilibre.
11. Ne rebondissez pas lorsque vous êtes fatigué ou pendant des périodes prolongées.
12. Fermez correctement le trampoline lorsqu'il n'est pas utilisé et empêchez toute utilisation sans autorisation préalable. Si une échelle de trampoline est utilisée, retirez-la du trampoline lorsque vous quittez la zone afin d'empêcher tout accès non surveillé par des enfants de moins de 6 ans.
13. Maintenez une zone dégagée autour du trampoline et retirez-en les objets qui pourraient gêner l'utilisateur.
14. N'utilisez pas le trampoline sous l'influence de l'alcool ou de drogues.
15. Pour toute information sur les compétences et la formation requises, contactez un instructeur de trampoline certifié.
16. Ne rebondissez que lorsque le tapis est sec. Le trampoline ne doit pas être utilisé lorsqu'il y a du vent.
17. Lisez toutes les instructions avant d'utiliser le trampoline. Les avertissements et les instructions concernant l'entretien, la maintenance et l'utilisation de ce trampoline sont inclus afin d'assurer une utilisation sûre et agréable de cet équipement.
18. NE PAS porter de chaussures à semelle dure car elles provoquent une usure excessive du tapis.
19. NE PAS porter de bijoux, de crochets, de boutons ou d'autres protubérances qui pourraient se coincer sur le tapis.
20. Rebondir au centre du tapis.

INSTALLATION

1. Assurez un dégagement suffisant au-dessus de la tête. Un minimum de 26 pieds (8 mètres) au-dessus du sol est recommandé. Veillez à dégager les fils, les branches d'arbres et autres dangers possibles.
2. Assurez un dégagement latéral adéquat. Placez le trampoline loin des murs, structures, clôtures, piscines et autres aires de jeu. Maintenez un espace libre sur tous les côtés du trampoline.
3. Placez le trampoline sur une surface plane avant de l'utiliser.
4. Utilisez le trampoline dans un endroit bien éclairé. Un éclairage artificiel peut être nécessaire pour les zones ombragées.
5. Fixez le trampoline dans un endroit sûr.
6. Retirez tout obstacle sous le trampoline.
7. Le propriétaire et les surveillants du trampoline sont responsables de la sensibilisation de tous les utilisateurs aux conseils spécifiés dans ces instructions.

TRAMPOLINE & ENCLOSURE COMBO



INTRODUCTION

Demandez toujours l'avis d'un médecin avant de pratiquer une activité physique.

VEUILLEZ CONSERVER CES INFORMATIONS POUR TOUTE RÉFÉRENCE FUTURE

INFORMATIONS SUR L'UTILISATION DU TRAMPOLINE

Au début, habituez-vous à la sensation et au rebond du trampoline. L'accent doit être mis sur les principes fondamentaux de la position de votre corps et vous devez pratiquer chaque rebond (les rebonds de base) jusqu'à ce que vous puissiez les exécuter avec aisance et contrôle.

Pour freiner un rebond, fléchissez fortement les genoux avant que vos pieds ne viennent en contact avec eux / le trampoline. Cette technique doit être pratiquée pendant que vous apprenez chacun des rebonds de base. La technique de freinage doit être utilisée chaque fois que vous perdez l'équilibre ou le contrôle de votre saut.

Apprenez toujours le rebond le plus simple en premier et soyez constant dans le contrôle de votre rebond avant de passer à des rebonds plus difficiles et plus avancés. Un rebond est contrôlé lorsque votre point d'envol et votre point d'atterrissage sont au même endroit sur le tapis. Si vous passez au rebond suivant sans maîtriser le précédent, vous augmentez le risque de blessure.

Ne rebondissez pas sur le trampoline pendant de longues périodes, car la fatigue peut augmenter le risque de blessure. Ne rebondissez que pendant une courte période de temps. Ne laissez sauter qu'une seule personne à la fois sur le trampoline.

Les sauteurs doivent porter un t-shirt, un short ou un sweat-shirt, et des chaussures de gymnastique réglementaires, des chaussettes épaisses ou être pieds nus. Si vous débutez, vous pouvez porter des chemises à manches longues et des pantalons pour vous protéger des éraflures et des brûlures jusqu'à ce que vous maîtrisiez les positions d'atterrissage et les formes correctes. Ne portez pas de chaussures à semelles dures, comme des tennis, sur le trampoline, car cela entraînerait une usure excessive du tapis.

Vous devez toujours monter et descendre correctement afin d'éviter les blessures. Pour monter correctement, placez votre main sur le cadre et montez ou roulez sur le cadre, sur les ressorts et sur le tapis du trampoline. N'oubliez jamais de placer vos mains sur le cadre lorsque vous montez ou descendez du trampoline. Ne marchez pas directement sur le coussin du cadre et ne saisissez pas le coussin du cadre. Pour descendre correctement, déplacez-vous sur le côté du trampoline, placez votre main sur le cadre comme support et descendez du tapis vers le sol. Les enfants plus jeunes doivent être aidés pour monter et descendre du trampoline.

Ne rebondissez pas inconsidérément sur le trampoline, car cela augmente le risque de blessure. La clé de la sécurité et du plaisir sur le trampoline est le contrôle et la maîtrise des différents rebonds. N'essayez jamais de surpasser un autre sauteur en termes de hauteur ! N'utilisez jamais le trampoline sans surveillance.

CLASSIFICATION DES ACCIDENTS

Monter et descendre du trampoline : Soyez très prudent lorsque vous montez et descendez du trampoline. **NE MONTEZ PAS** le trampoline en saisissant le rembourrage du cadre, en marchant sur les ressorts ou en sautant sur le tapis depuis une surface quelconque (par exemple, une terrasse, un toit ou une échelle), car cela augmente le risque de blessure. Ne descendez **PAS** en sautant du trampoline. Si de jeunes enfants jouent sur le trampoline, ils peuvent avoir besoin d'aide pour monter et descendre.

Consommation d'alcool ou de drogues : **NE consommez PAS** d'alcool ou de drogues avant ou pendant l'utilisation de ce trampoline, car cela altère votre jugement, votre temps de réaction et votre coordination physique générale.

Frapper le cadre ou les ressorts : Lorsque vous jouez sur le trampoline, **RESTEZ** au centre du tapis. Vous réduirez ainsi le risque de vous blesser en heurtant le cadre ou les ressorts. Gardez toujours le coussin du cadre sur le cadre. **NE SAUTTEZ PAS** ou ne marchez pas sur le coussin du cadre, il n'est pas destiné à supporter le poids d'une personne.

Perte de contrôle : N'essayez **PAS** d'effectuer des manœuvres difficiles avant d'avoir maîtrisé la manœuvre précédente, car cela augmenterait votre risque de blessure. Un saut est contrôlé lorsque votre point d'envol et votre point d'atterrissage sont au même endroit sur le tapis. Si vous perdez le contrôle lorsque vous sautez sur le trampoline, pliez fortement les genoux à l'atterrissage, ce qui vous permettra d'arrêter votre saut et de reprendre le contrôle.

Sauts périlleux (Flips) : **N'EFFECTUEZ PAS** de saut périlleux, quel qu'il soit (vers l'arrière ou vers l'avant) sur ce trampoline, car cela augmente le risque de blessure au cou ou au dos, pouvant entraîner la mort ou la paralysie.

Objets étrangers : N'utilisez **PAS** le trampoline s'il y a des animaux domestiques, d'autres personnes, des animaux ou des objets dessous, au-dessus ou près du trampoline, car cela augmente le risque de blessure. **NE TENEZ PAS** d'objets étrangers dans votre main et **NE PLACEZ PAS** d'objets sur le trampoline. Faites attention à ce qui se trouve au-dessus de vous lorsque vous utilisez le trampoline. Les branches d'arbres, les fils électriques ou tout autre objet situé au-dessus du trampoline peuvent entraîner des blessures.

Mauvais entretien du trampoline : Un trampoline en mauvais état augmente le risque de blessure. Veuillez inspecter le trampoline avant chaque utilisation pour vérifier que les tubes d'acier ne sont pas tordus, que le tapis n'est pas déchiré, que les ressorts ne sont pas desserrés ou cassés et que le trampoline est globalement stable.

Conditions météorologiques : Tenez compte des conditions météorologiques lorsque vous utilisez le trampoline. N'utilisez pas le trampoline si le tapis est mouillé. N'utilisez pas le trampoline par temps venteux.

Limitation de l'accès : Lorsque le trampoline n'est pas utilisé, rangez toujours l'échelle d'accès dans un endroit sûr pour empêcher tout accès non autorisé et non supervisé.

CONSEILS POUR RÉDUIRE LES RISQUES D'ACCIDENT

Le rôle du sauteur dans la prévention des accidents

Gardez le contrôle de vos sauts. NE PAS passer à des manœuvres plus compliquées ou plus difficiles avant d'avoir maîtrisé le saut de base, fondamental. L'éducation est la clé de la sécurité. Lisez, comprenez et mettez en pratique toutes les précautions de sécurité et les avertissements avant d'utiliser le trampoline. Un saut contrôlé consiste à atterrir et à décoller du même point sur le tapis. Pour des conseils et des instructions de sécurité supplémentaires, contactez un instructeur de trampoline certifié.

- Rebondissez toujours au centre du trampoline. Rebondir près du bord du tapis peut entraîner des blessures et peut également étirer les ressorts. Le coussin du cadre n'est pas conçu ni prévu pour supporter le poids de l'utilisateur du trampoline. Ne marchez pas et ne sautez pas directement sur le coussin du cadre.
- Évitez de rebondir trop haut. Restez bas jusqu'à ce que vous puissiez contrôler votre rebond et atterrir régulièrement au milieu du tapis.
- Pour reprendre le contrôle et arrêter votre saut, pliez rapidement les genoux lorsque vous atterrissez.
- N'utilisez pas le trampoline lorsque vous êtes sous l'influence de l'alcool ou de drogues.
- Laissez à chaque sauteur un bref tour sur le trampoline. Un rebondissement prolongé expose un utilisateur trop fatigué à un risque accru de blessure. Des tours de trampoline trop longs ont tendance à diminuer l'intérêt des autres personnes qui attendent de sauter.
- Le tapis du trampoline est à plusieurs pieds du sol. Sauter du trampoline vers le sol ou toute autre surface peut entraîner des blessures. Sauter sur le trampoline depuis un toit, une terrasse ou tout autre objet représente également un risque de blessure. Les enfants de petite taille peuvent avoir besoin d'aide pour monter ou descendre du trampoline. Monter et descendre correctement du trampoline doit être une règle stricte dès le début. Les utilisateurs doivent monter sur le trampoline en plaçant leurs mains sur le cadre et en marchant ou en roulant sur le cadre, sur les ressorts et sur le tapis (lit). Ne marchez pas directement sur le coussin du cadre et ne saisissez pas le coussin du cadre lorsque vous montez ou descendez du trampoline. Les utilisateurs doivent toujours placer leurs mains sur le cadre lorsqu'ils montent ou descendent du trampoline. Pour descendre, les sauteurs doivent marcher vers le côté du tapis (lit), se pencher et placer une main sur le cadre, puis descendre du tapis vers le sol.
- Vous risquez de vous blesser en heurtant le cadre ou en tombant à travers les ressorts lorsque vous sautez, montez ou descendez du trampoline. Restez au centre du tapis du trampoline lorsque vous sautez. **VEILLES À CE QUE LE REMBOURRAGE DU CADRE RESTE EN PLACE ET COUVRE LE CADRE À TOUT MOMENT.** Le rembourrage du cadre n'est pas conçu ni prévu pour supporter le poids de l'utilisateur du trampoline. Ne marchez pas et ne sautez pas directement sur le cadre.

Rôle du superviseur dans la prévention des accidents

Les surveillants doivent comprendre et faire respecter toutes les règles et directives de sécurité. Il est de la responsabilité du surveillant de fournir des conseils avisés et des directives à tous les sauteurs. Si la supervision est inexistante ou inadéquate, le trampoline doit être démonté et rangé dans un endroit sûr pour éviter toute utilisation non autorisée. Le surveillant doit également s'assurer que la plaque de sécurité est placée sur le trampoline et que les sauteurs sont informés de ces avertissements et instructions.

INSTRUCTIONS DE SÉCURITÉ POUR LE TRAMPOLINE

SAUTEUR :

- N'utilisez pas le trampoline sous l'influence de l'alcool ou de toute drogue.
- Retirez tous les objets durs et pointus que vous portez sur vous avant d'utiliser le trampoline.
- Montez et descendez du trampoline de manière contrôlée et prudente. Ne sautez pas sur ou hors du trampoline et n'utilisez jamais le trampoline comme un dispositif pour rebondir contre ou dans un autre objet.
- Apprenez le rebond de base et maîtrisez chaque type de rebond avant d'essayer des types de rebond plus difficiles. Passez en revue la section sur les compétences de base pour apprendre les bases.
- Pour arrêter votre rebond, fléchissez les genoux lorsque vos pieds entrent en contact avec le tapis.
- Soyez toujours en contrôle lorsque vous rebondissez sur le trampoline. Un saut contrôlé, c'est lorsque vous atterrissez au même endroit que celui d'où vous avez décollé. Si à tout moment vous vous sentez hors de contrôle, arrêtez-vous.
- Ne sautez pas ou ne rebondissez pas pendant des périodes prolongées.
- Gardez vos yeux sur le tapis pour garder le contrôle. Si vous ne le faites pas, vous pourriez perdre l'équilibre ou le contrôle.
- Ne laissez jamais plus d'une personne sur le trampoline à la fois.
- Toujours utiliser le trampoline sous la surveillance d'un adulte.
- Ce trampoline doit être assemblé par des adultes.
- Aucune modification ne doit être apportée au trampoline ou à l'un de ses composants. Toute modification pourrait entraîner des dommages au produit ou des blessures corporelles.

SURVEILLANTS

Renseignez-vous sur les sauts de base et les règles de sécurité. Faites respecter toutes les règles de sécurité et assurez-vous que les nouveaux sauteurs apprennent les sauts de base avant d'essayer des sauts plus difficiles et plus avancés.

- Tous les sauteurs doivent être surveillés, quel que soit leur niveau de compétence ou leur âge.
- N'utilisez jamais le trampoline lorsqu'il est mouillé, endommagé, sale ou usé. Le trampoline doit être inspecté avant que les sauteurs ne commencent à rebondir dessus.
- Gardez tous les objets qui pourraient gêner le sauteur loin du trampoline. Faites attention à ce qui se trouve au-dessus, en dessous et autour du trampoline.
- Empêchez toute utilisation non surveillée et non autorisée. Le trampoline doit être sécurisé lorsqu'il n'est pas utilisé.

EMPLACEMENT DU TRAMPOLINE

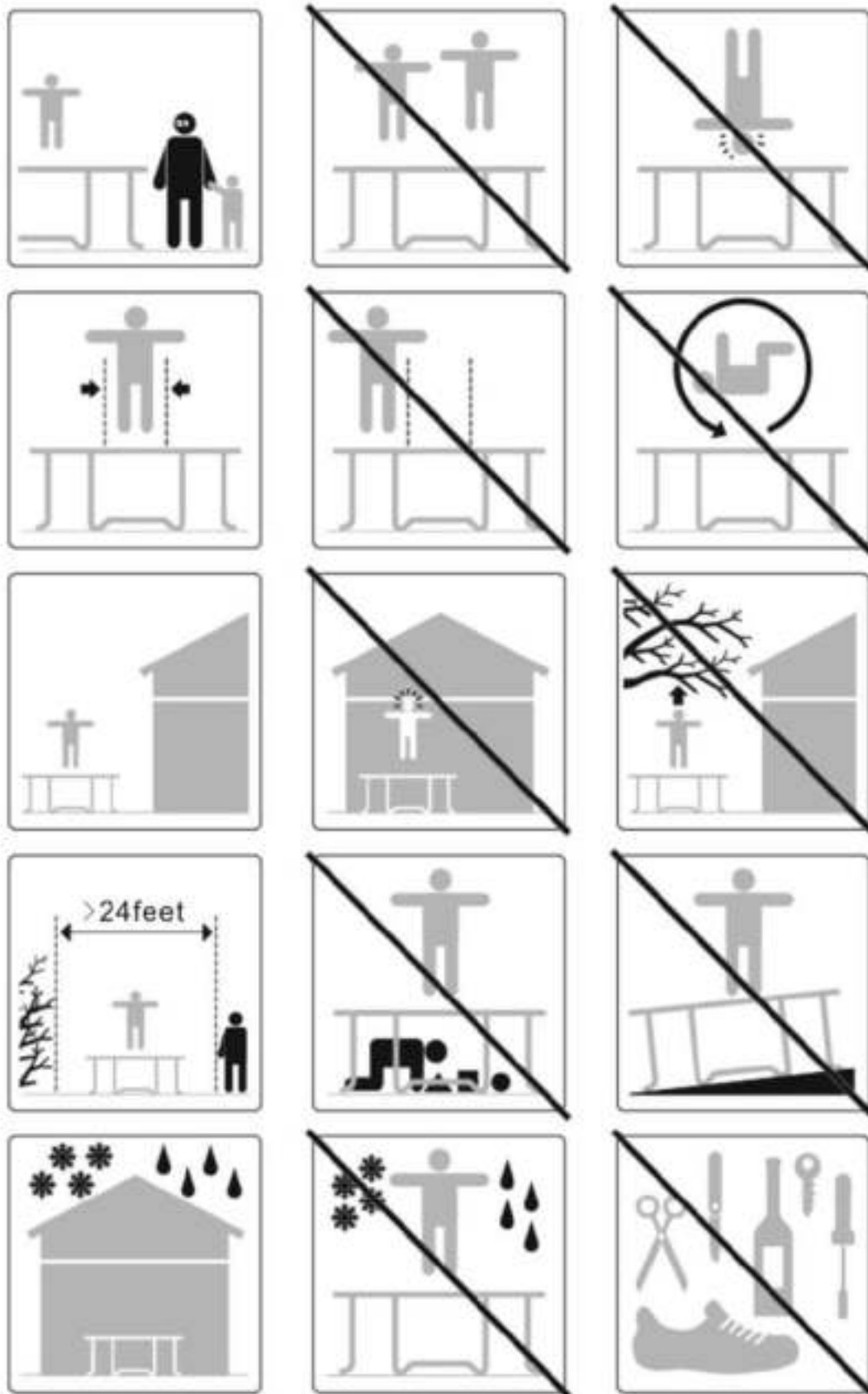
Le dégagement minimum requis au-dessus de la tête est de 26 pieds (8 mètres). Assurez-vous qu'aucun danger ou obstruction ne se trouve à proximité du trampoline, comme des branches d'arbre, des balançoires, des piscines, des fils électriques, des murs, des clôtures, etc.

Tenez compte des points suivants lors du choix de l'emplacement de votre trampoline:

- Le trampoline doit être placé sur une surface plane.
- L'endroit doit être bien éclairé.
- Toutes les obstructions au-dessus, en dessous ou autour du trampoline doivent être enlevées.
- Ne pas utiliser ce trampoline à l'intérieur
- Ne pas utiliser ce trampoline sur un sol glissant, inégal ou en pente.
- Ne pas placer le trampoline sur des surfaces dures, du béton, etc., car cela pourrait endommager le cadre.
- Le trampoline doit être bien fixé au sol pour ne pas bouger lors des sauts.

AVERTISSEMENT!

SI VOUS NE RESPECTEZ PAS CES DIRECTIVES, VOUS AUGMENTEZ LE RISQUE QUE QUELQU'UN SE BLESSE.



ENTRETIEN ET MAINTENANCE

- **GÉNÉRALITÉS** Votre trampoline est conçu pour rester dehors toute l'année et nécessite généralement très peu d'entretien. Cependant, un peu d'attention et de prévoyance peuvent ajouter des années à la vie de votre trampoline. N'oubliez pas que les coussins du tapis et du cadre sont fabriqués en matériaux synthétiques et sont facilement endommagés par les mégots de cigarettes, les feux d'artifice et les débris de feu.
- **CADRE** Ne vous asseyez pas ou ne vous tenez pas sur le cadre ou les coussins du cadre lorsque le trampoline est utilisé car cela limite l'action réflexe naturelle du cadre. L'application d'huile ou de vaseline à l'endroit où les ressorts s'accrochent au cadre réduira les grincements et l'usure des trous du cadre. Si de la rouille apparaît en surface, elle doit être éliminée à l'aide d'une brosse métallique ou d'un papier de verre grossier, et la zone doit être traitée avec une peinture non toxique.
- **TAMPONS DE CADRE** Les tampons de cadre sont là pour protéger l'utilisateur de toute chute ou réception sur les ressorts et le cadre. Les personnes ne doivent en aucun cas s'asseoir ou se tenir debout dessus lorsque le trampoline est utilisé. Vous devez également vous assurer que les utilisateurs de petite taille n'utilisent pas les bords intérieurs des coussins comme "poignée" pour monter sur le trampoline.
- **LE TAPIS** Le tapis sera, au fil des ans, progressivement affaibli par les effets du rayonnement ultraviolet. Par conséquent, plus il sera protégé des rayons directs du soleil, plus il durera longtemps. Un peu de moisissure ne devrait pas nuire au tapis. Veillez à enlever vos chaussures avant de rebondir et à retirer tout autre objet pointu comme les boucles de ceinture, les broches et les bijoux.
- **LES RESSORTS** Ne vous tenez pas sur les ressorts lorsque le trampoline est utilisé. Essayez de ne pas rebondir sur les ressorts. Ils ne sont pas conçus pour cela et peuvent s'étirer, se déformer et s'affaiblir. Si vous constatez que des ressorts sont étirés, il est important de les remplacer dès que possible pour éviter d'endommager le tapis du trampoline et de surcharger et donc d'endommager les ressorts restants.

Ce trampoline a été conçu et fabriqué avec des matériaux et un savoir-faire de qualité. Avec un entretien et une maintenance appropriés, il offrira à tous les sauteurs des années d'exercice, de plaisir et d'amusement. Veuillez suivre les directives ci-dessous:

Les sauteurs doivent porter des chaussettes, des ballerines de gymnastique ou être pieds nus lorsqu'ils utilisent le trampoline. Des chaussures de ville ou des tennis ne doivent PAS être portées pour utiliser le trampoline. Pour limiter les dégâts, ne laissez pas les animaux domestiques monter sur le tapis. Les sauteurs doivent retirer tout objet pointu qu'ils porteraient sur eux avant d'utiliser le trampoline. Tous les objets pointus ou tranchants doivent être maintenus à tout moment hors du tapis du trampoline.

Avant chaque utilisation, inspectez toujours le trampoline pour détecter les pièces usées, endommagées ou manquantes. Faites attention à:

- Des perforations, des trous ou des déchirures dans le tapis de trampoline.
- Affaissement du tapis de trampoline
- Des coutures lâches ou toute autre forme de détérioration du tapis.
- Pièces du cadre pliées ou cassées, telles que les pieds.
- Ressorts cassés, manquants ou endommagés
- Coussin de cadre endommagé, manquant ou mal fixé.
- Des protubérances de tous types (en particulier des protubérances pointues) sur le cadre, les ressorts ou le tapis.
- Aucune modification ne doit être apportée au trampoline ou à l'un de ses composants. Toute modification pourrait entraîner des dommages au produit ou des blessures corporelles.
- Vérifiez le serrage de tous les écrous et boulons et serrez-les si nécessaire.
- Vérifiez que tous les joints à ressort sont toujours intacts et ne peuvent pas se déloger pendant le jeu.
- Vérifiez tous les revêtements et les bords tranchants et remplacez-les si nécessaire.
- Conservez le manuel d'instructions d'entretien.
- Les trampolines d'extérieur doivent être équipés d'un dispositif qui, en cas de vent fort, évite le déplacement dû au vent (par exemple, des barres d'acier dans le sol ou des charges comme des sacs de sable ou des sacs d'eau) et/ou les éléments qui prennent le vent comme le filet et le tapis doivent être retirés.
- Dans certains pays, pendant la période hivernale, la charge de neige et la température très basse peuvent endommager le trampoline. Il est recommandé d'enlever la neige et de ranger le tapis et le filet de protection à l'intérieur.
- Vérifiez que le tapis, le rembourrage, l'enceinte et la surface souple ne présentent aucun défaut.

TRAMPOLINE & ENCLOSURE COMBO



SI VOUS CONSTATEZ L'UNE DES CONDITIONS PRÉCÉDENTES OU TOUTE AUTRE CHOSE QUI, SELON VOUS, POURRAIT NUIRE À UN UTILISATEUR, LE TRAMPOLINE DOIT ÊTRE DÉMONTÉ OU SÉCURISÉ JUSQU'À CE QUE LA OU LES CONDITIONS AIENT ÉTÉ RECTIFIÉES.

CONDITIONS VENTEUSES

En cas de vent violent, le trampoline peut être emporté par le vent. Si vous prévoyez des conditions météorologiques venteuses, le trampoline doit être déplacé dans un endroit abrité ou démonté. Pour garantir la sécurité dans des conditions météorologiques normales, il faut utiliser au moins trois attaches. Fixez le cadre du trampoline au sol. Il ne suffit pas de fixer uniquement les pieds du trampoline au sol, car ils peuvent arracher les supports du cadre.

DÉPLACEMENT DU TRAMPOLINE

Pour déplacer le trampoline, vous aurez besoin de l'aide d'un autre adulte. Tous les points de connexion doivent être solidement enveloppés avec du ruban adhésif résistant aux intempéries, comme du ruban adhésif en toile. Cela permettra de garder le cadre intact pendant le déplacement et empêchera les points de connexion de se disloquer et de se séparer. Lors du déplacement, soulevez le trampoline légèrement du sol et maintenez-le à l'horizontale. Pour tout autre type de déménagement, vous devez démonter le trampoline. Après tout déménagement, veuillez procéder à une inspection de sécurité complète.

TRAMPOLINES ENTERRÉS / NIVELÉS AU SOL

Les informations ci-dessous. Veuillez consulter le manuel de montage

- Comment construire le trou pour le montage du trampoline (profondeur/forme/inclinaison du trou, etc.), y compris une illustration décrivant la forme du trou.
- Comment éviter le coincement des pieds si le trampoline est équipé d'un système de mur de soutènement et, en particulier, comment éviter les espaces entre le sol, le système de mur de soutènement et le cadre.
- Comment préparer et évaluer le sol sous la surface souple, y compris une illustration décrivant la forme de la zone préparée.

Le trou ne doit pas accumuler d'eau (un drainage est donc nécessaire) et il doit être possible de le nettoyer pendant l'entretien.

Attention ! L'installation du trampoline nécessite de creuser un trou dans le sol. Si vous n'êtes pas sûr du travail du sol, veuillez contacter un professionnel.

GARANTIE

Le propriétaire du Trampoline AXI bénéficie d'une garantie après la date d'achat:

- de 2 ans sur la rupture du châssis
- de 1 an sur les ressorts
- de 1 an sur les bords de protection et sur le tapis de saut
- de 1 an sur le déchirement du filet

AXI se réserve le droit de refuser la garantie sous les conditions suivantes :

- manque d'un justificatif d'achat original ;
- application à des fins autres que celles précisées pour la trampoline de AXI ;
- montage autre que celui préconisé ;
- exécution incompétente des réparations techniques ;
- utilisation de la trampoline de AXI sur des places publiques, comme des écoles et garderies d'enfants ;
- location de la trampoline de AXI à un tiers ;
- manque de contrôle régulier et, au besoin, remplacement des composants, vis et raccords.

PLAN DE LEÇONS

Les leçons suivantes sont recommandées afin d'apprendre les pas et les rebonds de base avant de passer à des rebonds plus difficiles et plus compliqués. Vous devez lire et comprendre toutes les consignes de sécurité avant de monter sur le trampoline. Une discussion et une démonstration complètes de la mécanique corporelle et des consignes du trampoline doivent avoir lieu entre le surveillant et l'élève.

Leçon 1

- A. Monter et descendre du trampoline - Démonstration des bonnes techniques.
- B. Le rebond de base - Démonstration et pratique
- C. Freiner (vérifier le rebond) - Démonstration et pratique. Apprenez à freiner sur commande.
- D. Mains et genoux - Démonstration et pratique. L'accent doit être mis sur la réception et l'alignement en quatre points.

Leçon 2

- A. Révision et pratique des techniques apprises dans la leçon 1
- B. Rebond sur les genoux - Démonstration et pratique. Apprenez la technique de base du rebond droit sur les genoux et de la remontée avant d'essayer la demi-ville à gauche et à droite.
- C. Rebond assis - Démonstration et pratique. Apprenez le rebond assis de base, puis ajoutez un rebond sur les genoux, les mains et les genoux ; répétez.

Leçon 3

- A. Réviser et mettez en pratique les compétences et les techniques apprises dans les leçons précédentes.
- B. Chute avant - Tous les élèves doivent se mettre en position couchée (face au sol) pendant que l'instructeur vérifie qu'il n'y a pas de mauvaises positions qui pourraient causer des blessures.
- C. Commencer par un rebond à quatre pattes, puis étendre le corps en position couchée, atterrir sur le tapis et revenir sur ses pieds.
- D. Routine d'entraînement : rebond des mains et des genoux, rebond avant, retour aux pieds, rebond assis, retour sur les pieds.

Leçon 4

- A. Révision et mise en pratique des compétences et techniques apprises dans les leçons précédentes.
- B. Demi-tour
 1. Commencez par la position de chute avant. Lorsque vous entrez en contact avec le tapis, poussez les bras vers la droite ou la gauche et tournez la tête et les épaules dans la même direction.
 2. Pendant le tour, assurez-vous de garder le dos parallèle au tapis et la tête droite.
 3. Après avoir terminé le tour, atterrir en position de chute avant.

Après avoir terminé cette leçon, l'élève a maintenant une compréhension de base des rebonds sur trampoline. Les sauteurs doivent être encouragés à développer leurs propres routines en mettant l'accent sur le contrôle et la forme.

Un jeu qui peut être joué afin d'encourager les élèves à essayer de développer des routines est le suivant : "BOUNCE". Dans ce jeu, les joueurs comptent de 1 à 10. Le joueur un commence par une manœuvre. Le joueur deux doit faire la manœuvre du joueur un et en ajouter une autre. Le joueur trois fait les manœuvres du un et du deux puis ajoute une troisième manœuvre. Cela continue jusqu'à ce qu'un joueur ne puisse pas faire la routine correctement dans la bonne séquence. La première personne qui rate, reçoit la lettre "B". Cela continue jusqu'à ce que quelqu'un épelle le mot "BOUNCE". Le dernier concurrent restant est considéré comme le gagnant ! Même en jouant à ce jeu, il est important d'exécuter vos routines sous contrôle. N'essayez pas de faire des rebonds difficiles ou hautement qualifiés que vous ne maîtrisez pas encore.

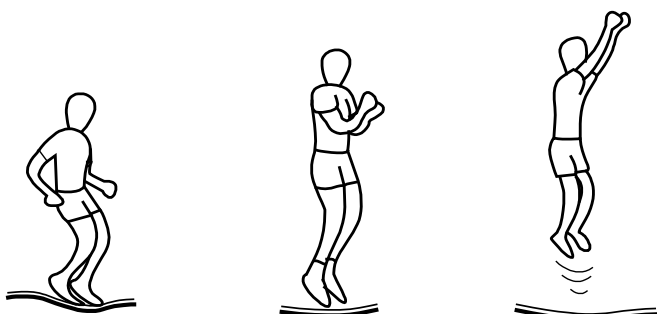
Il convient de contacter un instructeur de trampoline certifié pour développer davantage vos compétences en trampoline..

TRAMPOLINE & ENCLOSURE COMBO



LES REBONDS DE BASE DU TRAMPOLINE

LE REBOND DE BASE



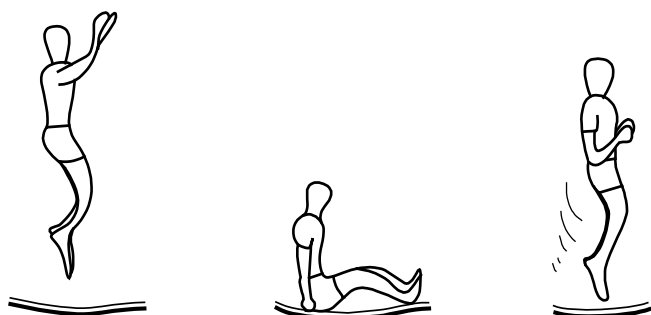
1. Commencez en position debout, les pieds écartés de la largeur des épaules, la tête droite et les yeux sur le tapis.
2. Balancez les bras vers l'avant, vers le haut et autour dans un mouvement circulaire.
3. Rapprocher les pieds en l'air et pointer les orteils vers le bas.
4. Garder les pieds écartés de la largeur des épaules lors de l'atterrissage sur le tapis.

LE REBOND SUR LES GENOUX



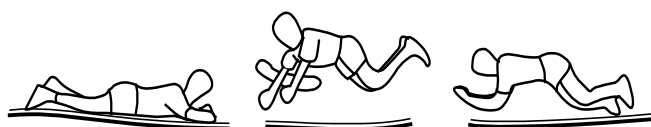
1. Commencer par un rebondissement de base et le garder bas
2. Atterrir sur les genoux en gardant le dos droit et le corps droit. Utiliser les bras pour maintenir l'équilibre.
3. Rebondir en position de base en levant les bras.

LE REBOND ASSIS



1. Atterrir en position assise.
2. Placer les mains sur le tapis à côté des hanches.
3. Revenir à la position droite en poussant avec les mains.

LE REBOND À 180 DEGRÉS



1. Commencez par un rebond avant
2. Poussez avec la main et le bras gauche ou droit (selon le sens dans lequel vous souhaitez tourner).
3. Maintenir la tête et les épaules dans la même direction, le dos parallèle au tapis et la tête haute.
4. Atterrir en position couchée et revenir à la position debout en poussant vers le haut avec les mains et les bras.



PELIGRO DE ASFIXIA

Piezas pequeñas. No adecuado para menores de 6 años.

EL PRODUCTO DEBE SER MONTADO POR UN ADULTO

Descripción de posible peligro, p. ej.: El producto desmontado contiene posibles puntos afilados, así que debe mantenerse fuera del alcance del bebé

Sólo para uso doméstico. Conservar para futuras consultas.

REBOTA CON SEGURIDAD EN TU CAMA ELÁSTICA

ANTES DE UTILIZAR ESTE TRAMPOLÍN, LEA TODA LA INFORMACIÓN PROPORCIONADO EN ESTE MANUAL CUIDADOSAMENTE. PARA REDUCIR EL RIESGO DE LESIONES, SIGA LAS NORMAS DE SEGURIDAD APROPIADAS REGLAS Y CONSEJOS

- Inspeccione el trampolín antes de cada uso para ver si hay desgaste, piezas sueltas o faltantes.
- El montaje, el cuidado y el mantenimiento del producto, los consejos de seguridad, las advertencias y las técnicas adecuadas para saltar y rebotar se incluyen en este manual.
- Todos los usuarios y supervisores deben leer y familiarizarse con estas instrucciones.
- Todos los usuarios deben ser conscientes de sus propias limitaciones al realizar saltos y rebotes con este trampolín.
- Sólo para uso doméstico familiar.
- La red de seguridad deberá estar equipada si la longitud/diámetro/diagonal del marco es superior a 2,5m

ADVERTENCIA!

El mal uso y abuso de este trampolín es peligroso y puede causar lesiones graves o la muerte



O HAY MÁS DE UNA PERSONA A LA VEZ EN EL TRAMPOLÍN. VARIOS SALTADORES AUMENTAN EL RIESGO DE LESIONES, COMO POR EJEMPLO, ROTURAS DE CUELLO, DE PIERNAS, DE ESPALDA O DE CABEZA



NO REALICE SALTOS MORTALES (VOLTERETAS), YA QUE AUMENTARÁ EL RIESGO DE ATERRIZAR SOBRE LA CABEZA O EL CUELLO, CON EL CONSIGUIENTE RIESGO DE LESIONES GRAVES O DE MUERTE

INFORMACIÓN ADICIONAL

Como toda actividad que pone el cuerpo en movimiento, el trampolín conlleva ciertos riesgos. Para disminuir el riesgo de lesiones. Recomendamos el uso de un recinto para evitar que los usuarios se caigan del trampolín. El cerramiento no debe utilizarse para rebotar intencionadamente en los laterales. Ningún dispositivo puede garantizar completamente su seguridad y el juego seguro sigue siendo su responsabilidad, un recinto reduce sustancialmente el riesgo de lesiones. Nunca permita que haya más de una persona en el trampolín a la vez. No intente realizar inversiones, volteretas o saltos mortales. También sugerimos el uso de una superficie de absorción de impactos en el suelo alrededor del trampolín.

ADVERTENCIA!

SALTADORES Y SUPERVISORES:

- Advertencia Sin saltos mortales
- Advertencia Sólo para uso en exteriores
- Advertencia Saltar sin zapatos
- Advertencia Lea siempre las instrucciones
- Advertencia Se requiere la supervisión de un adulto
- Advertencia Sólo un usuario, peligro de colisión
- Advertencia No salga por el salto
- Advertencia No coma mientras salta
- Advertencia No utilice la alfombra cuando esté mojada
- Advertencia No utilizar en condiciones de viento fuerte
- Advertencia No hunda el trampolín en el suelo.
- Advertencia Vacíe los bolsillos y las manos antes de saltar
- Advertencia Cierre siempre la abertura de la red antes de saltar
- Advertencia La alfombra de salto y/o la red deben ser reemplazadas cada años
- Advertencia Limite el tiempo de uso continuo (haga paradas regulares)
- Advertencia Asegure siempre el trampolín con el kit de amarre cuando esté en uso
- Advertencia Compruebe que la alfombra, el acolchado y el cerramiento no presentan defectos;
- Advertencia No utilice el trampolín si ha consumido alcohol o alguna droga
- Advertencia Salte siempre en medio de las condiciones de la colchoneta y asegure el trampolín
- Advertencia En algunos países, durante el periodo invernal, la carga de nieve y la temperatura muy baja pueden dañar la cama elástica. Se recomienda quitar la nieve y guardar la colchoneta y el recinto en el interior.
- Advertencia. Debe subirse y bajarse de forma controlada y cuidadosa. Nunca salte sobre el trampolín o fuera de él y nunca utilice el trampolín como un dispositivo para rebotar sobre o hacia otro objeto.
- Advertencia El trampolín debe ser montado por un adulto de acuerdo con las instrucciones de montaje y posteriormente ser revisado antes del primer uso
- Advertencia El peso máximo del usuario es:

Trampolín redondo		Trampolín ovalado		Trampolín rectangular	
<Ø8ft.(2.5M)	>Ø8ft.(2.5M)	<Ø438x310cm	>Ø360x264cm	<Ø432x303cm	>Ø318x212cm
50kg	100kg	120kg	100kg	120kg	100kg

ADVERTENCIA!

1. NO intente ni permita realizar saltos mortales. Aterrizar sobre la cabeza o el cuello puede causar lesiones graves, parálisis o la muerte, incluso cuando se aterriza en el centro de la colchoneta.
 2. NO permita que haya más de una persona en el trampolín al mismo tiempo. El uso por parte de más de una persona al mismo tiempo puede provocar lesiones graves.
 3. Utilice el trampolín sólo con la supervisión de un adulto con conocimientos.
 4. Las camas elásticas de más de 20 pulg. (51 cm) de altura no se recomiendan para su uso por niños menores de 6 años.
 5. Inspeccione la cama elástica antes de cada uso. Asegúrese de que la almohadilla del bastidor está colocada correctamente y de forma segura. Sustituya cualquier pieza desgastada, defectuosa o que falte.
 6. Suba y baje del trampolín. No salte del trampolín al suelo o a la tierra cuando se desmonte, ni sobre el trampolín cuando se monte. No utilice la cama elástica como trampolín hacia otros objetos.
 7. Detenga el rebote flexionando las rodillas cuando los pies entren en contacto con la colchoneta del trampolín. Aprenda esta habilidad antes de intentar otras.
 8. Aprenda a fondo los rebotes fundamentales y las posiciones del cuerpo antes de intentar maniobras más avanzadas. Se puede realizar una variedad de maniobras en el trampolín ejecutando los fundamentos básicos en diferentes combinaciones, realizando un fundamental tras otro, con o sin rebotes de pies entre ellos. Consulte la sección de Rebote Básico en este manual.
 9. Evite rebotar demasiado alto. Manténgase bajo hasta lograr el control del rebote y el aterrizaje repetido en el centro del trampolín. El control es más importante que la altura.
 10. Mientras rebota, mantenga la cabeza levantada y mirando al frente con los ojos enfocados en el perímetro del trampolín. Esto ayudará a controlar el equilibrio.
 11. No rebote cuando esté cansado o durante periodos prolongados.
 12. Asegure el trampolín correctamente cuando no esté en uso y evite el uso no autorizado. Si se utiliza una escalera para la cama elástica, retírela del trampolín cuando abandone la zona para evitar el acceso no supervisado de niños menores de 6 años.
 13. Mantenga una zona despejada alrededor del trampolín y retire los objetos que puedan obstruir al usuario.
 14. No utilice el trampolín bajo la influencia del alcohol o las drogas.
 15. Para obtener información sobre las habilidades y el entrenamiento, póngase en contacto con un instructor de trampolín certificado.
 16. Rebote sólo cuando la colchoneta esté seca. El trampolín no debe utilizarse en condiciones de viento.
 17. Lea todas las instrucciones antes de utilizar la cama elástica. Las advertencias e instrucciones para el cuidado, mantenimiento y uso de esta cama elástica se incluyen para promover un uso seguro y agradable de este equipo.
- NO use zapatos de suela dura, ya que provocan un desgaste excesivo de la alfombra.
NO use joyas, ganchos, botones u otras protuberancias que puedan quedar atrapadas en la alfombra.
Rebote en el centro de la colchoneta.

INSTALACIÓN

1. Asegúrese de que hay un espacio libre adecuado en la parte superior. Se recomienda un mínimo de 26 pies (8 metros) desde el nivel del suelo. Deje espacio libre para cables, ramas de árboles y otros posibles peligros.
2. Asegure un espacio lateral adecuado. Coloque el trampolín lejos de paredes, estructuras, vallas, piscinas y otras áreas de juego. Mantenga un espacio libre en todos los lados de la cama elástica.
3. Coloque el trampolín en una superficie nivelada antes de usarlo.
4. 4. Utilice la cama elástica en una zona bien iluminada. Puede ser necesaria la iluminación artificial para las zonas de sombra.
5. Asegure el trampolín en un lugar seguro.
6. Retire cualquier obstáculo de debajo de la cama elástica.
7. El propietario y los supervisores del trampolín son responsables de concienciar a todos los usuarios de las prácticas especificadas en las instrucciones.

TRAMPOLINE & ENCLOSURE COMBO



INTRODUCCIÓN

Consulte siempre a un médico antes de realizar cualquier tipo de actividad

CONSERVE ESTA INFORMACIÓN PARA FUTURAS CONSULTAS

INFORMACIÓN SOBRE EL USO DEL TRAMPOLÍN

Al principio, acostúmbrese a la sensación y al rebote del trampolín. La atención debe centrarse en los fundamentos de la posición del cuerpo y debe practicar cada rebote (los rebotes básicos) hasta que pueda realizar cada uno con facilidad y control.

Para frenar un rebote, flexiona las rodillas bruscamente antes de que tus pies entren en contacto con ellas. Esta técnica debe practicarse a medida que se aprende cada uno de los saltos básicos. La habilidad de frenar debe utilizarse siempre que se pierda el equilibrio o el control del salto.

Aprende siempre primero el rebote más sencillo y sé consistente con el control de tu rebote antes de pasar a rebotes más difíciles y avanzados. Un rebote controlado es cuando el punto de despegue y el punto de aterrizaje son el mismo punto en la colchoneta. Si pasas al siguiente rebote sin dominar el anterior, aumentas el riesgo de lesiones.

No rebote en el trampolín durante largos períodos de tiempo, ya que la fatiga puede aumentar el riesgo de lesiones. Rebote solo durante un breve periodo de tiempo. Sólo una persona debe saltar en el trampolín a la vez.

Los saltadores deben llevar una camiseta, pantalones cortos o sudaderas y zapatillas de gimnasia reglamentarias, calcetines gruesos o estar descalzos. Si está empezando, puede usar camisetas y pantalones de manga larga para protegerse de las rozaduras y abrasiones hasta que domine las posiciones y la forma correctas de aterrizaje. No use zapatos de suela dura, como las zapatillas de tenis, en el trampolín, ya que esto causará un desgaste excesivo en la estera.

Siempre debe montar y desmontar correctamente para evitar lesiones. Para montarse correctamente, debe colocar su mano en el marco y pisar o rodar hacia arriba en el marco, sobre los resortes, y en la estera del trampolín. Recuerde siempre colocar sus manos en el marco mientras se monta o desmonta. No pise directamente la almohadilla de la estructura ni la agarre. Para desmontar correctamente, muévase hacia un lado de la cama elástica y coloque su mano en el marco como apoyo y pase de la colchoneta al suelo. Los niños más pequeños deben ser ayudados al montar y desmontar.

No rebote de forma imprudente en la cama elástica, ya que aumentará el riesgo de lesiones. La clave para la seguridad y la diversión en la cama elástica es el control y el dominio de los diferentes rebotes. No intentes nunca superar a otro saltador en altura. Nunca utilices la cama elástica sin supervisión.

CLASIFICACIÓN DE LOS ACCIDENTES

Montaje y desmontaje: Tenga mucho cuidado al subir y bajar de la cama elástica. NO monte el trampolín agarrando la almohadilla de la estructura, pisando los muelles o saltando sobre la colchoneta desde cualquier superficie (por ejemplo, una cubierta, un techo o una escalera), ya que esto aumentará el riesgo de lesiones. NO se desmonte saltando de la cama elástica. Si hay niños pequeños jugando en la cama elástica, es posible que necesiten ayuda para montar y desmontar.

Uso de alcohol o drogas: NO consuma ningún tipo de alcohol o drogas antes o durante el uso de este trampolín, ya que esto perjudicará su juicio, tiempo de reacción y coordinación física en general.

Golpear la estructura o los muelles: Cuando juegue en el trampolín, permanezca en el centro de la colchoneta. Esto reducirá el riesgo de lesiones con el armazón o los muelles. Mantenga siempre la almohadilla del armazón en el armazón NO salte ni pise la almohadilla del armazón, no está pensada para soportar el peso de una persona.

Pérdida de control: NO intente realizar maniobras de hombre difícil hasta que no domine la maniobra anterior, ya que esto aumentará su riesgo de lesión. Un salto controlado es cuando su punto de despegue y su punto de aterrizaje es el mismo lugar en la colchoneta. Si pierde el control cuando está saltando en el Trampolín, doble las rodillas bruscamente cuando aterrice y esto le permitirá detener su salto y recuperar el Control.

Salto mortal (volteretas): NO REALICE saltos mortales de ningún tipo (hacia atrás o hacia adelante) en este trampolín, ya que esto aumentará el riesgo de lesiones en el cuello o la espalda, lo que puede provocar la muerte o la parálisis.

Objetos extraños: NO utilice el trampolín si hay mascotas, otras personas, animales o cualquier objeto debajo, encima o cerca del trampolín, ya que esto aumentará el riesgo de que se produzca una lesión. NO sostenga ningún objeto extraño en su mano y NO coloque ningún objeto en el trampolín. Por favor, sea consciente de lo que hay por encima de usted cuando esté utilizando la cama elástica. Las ramas de los árboles, los cables u otros objetos situados por encima de la cama elástica pueden provocar lesiones.

Mal mantenimiento de la cama elástica: Una cama elástica en mal estado aumentará el riesgo de lesiones. Por favor, inspeccione la cama elástica antes de cada uso para ver si hay tubos de acero doblados, alfombra rota, muelles sueltos o rotos y la estabilidad general de la cama elástica.

Condiciones meteorológicas: Por favor, tenga en cuenta las condiciones meteorológicas cuando utilice la cama elástica. No utilice la cama elástica si la alfombra está mojada. No utilice el trampolín en condiciones de viento.

Limitación del acceso: Cuando el trampolín no esté en uso, guarde siempre la escalera de acceso en un lugar seguro para evitar el acceso no autorizado y no supervisado.



CONSEJOS PARA REDUCIR EL RIESGO DE ACCIDENTES

El papel del saltador en la prevención de accidentes

Mantén el control de tus saltos. NO pases a maniobras más complicadas o más difíciles hasta que no domines los saltos básicos y fundamentales. La educación es la clave de la seguridad. Lea, comprenda y practique todas las precauciones y advertencias de seguridad antes de utilizar el trampolín. Un salto controlado es cuando aterrizas y despegas desde el mismo punto de la colchoneta. Para obtener más consejos e instrucciones de seguridad, póngase en contacto con un instructor de trampolín certificado.

- Rebote siempre en el centro de la cama. Rebotar cerca del borde de la cama puede provocar lesiones y también puede estirar los muelles. La almohadilla del armazón no está diseñada ni pensada para soportar el peso del usuario de la cama elástica. No pise o salte directamente sobre la almohadilla del marco.
- Evite rebotar demasiado alto. Manténgase bajo hasta que pueda controlar su rebote y aterrizar consistentemente en el centro de la cama.
- Para recuperar el control y detener el salto, dobla las rodillas rápidamente al aterrizar.
- No utilice el trampolín cuando esté bajo la influencia del alcohol o las drogas.
- Permita a cada saltador una breve vuelta en el trampolín. Los saltos prolongados exponen a un usuario demasiado cansado a un mayor riesgo de lesiones. Los giros más largos tienden a disminuir el interés de los demás que esperan para saltar.
- La colchoneta de la cama elástica está a varios metros del suelo. Saltar del trampolín al suelo o a cualquier otra superficie puede provocar lesiones. Saltar al trampolín desde un techo, cubierta u otro objeto también representa un riesgo de lesión. Los niños más pequeños pueden necesitar ayuda para subir o bajar de la cama elástica. Montar y desmontar correctamente debe ser una regla estricta desde el principio. Los usuarios deben subir a la cama elástica colocando las manos en el marco y pisando o rodando sobre el marco, a través de los muelles, y sobre la colchoneta (cama). No pise directamente la almohadilla del marco ni se agarre a la almohadilla del marco cuando monte o desmonte el trampolín. Los usuarios siempre deben colocar sus manos en el marco mientras se montan o desmontan. Para desmontar, los saltadores deben caminar hacia el lado de la colchoneta (cama), agacharse y colocar una mano en el marco, luego pasar de la colchoneta al suelo.
- Pueden producirse lesiones por golpear el marco o caer a través de los muelles al saltar o subir o bajar de la cama elástica. Manténgase en el centro de la colchoneta de la cama elástica cuando salte. **ASEGÚRESE DE MANTENER LA ALMOHADILLA DEL MARCO EN SU LUGAR PARA CUBRIR EL MARCO EN TODO MOMENTO.** La almohadilla del armazón no está diseñada ni pensada para soportar el peso del usuario de la cama elástica. No pise o salte directamente sobre la almohadilla del marco.



El papel del supervisor en la prevención de accidentes

Los supervisores deben entender y hacer cumplir todas las normas y directrices de seguridad. Es responsabilidad del supervisor proporcionar consejos y orientación bien informados a todos los saltadores. Si la supervisión no está disponible o es inadecuada, el trampolín debe desmontarse y guardarse en un lugar seguro para evitar su uso no autorizado. El supervisor es también responsable de asegurar que el cartel de seguridad sea colocado en el trampolín y que los saltadores sean informados de estas advertencias e instrucciones.

INSTRUCCIONES DE SEGURIDAD DE LA CAMA ELÁSTICA

SALTADORES:

- No utilice el trampolín bajo la influencia del alcohol o de cualquier droga.
- Retire todos los objetos duros y afilados de su persona antes de utilizar el trampolín.
- Suba y baje de forma controlada y cuidadosa. No salte sobre o desde el trampolín y nunca utilice el trampolín como un dispositivo para rebotar sobre o contra otro objeto.
- Aprende el rebote básico y domina cada tipo de rebote antes de intentar rebotes de tipos más difíciles. Revisa la sección de habilidades básicas para aprender lo básico.
- Para detener el rebote, flexiona las rodillas cuando los pies entren en contacto con la colchoneta.
- Ten siempre el control cuando estés rebotando en el trampolín. Un salto controlado es cuando aterrizas en el mismo punto del que despegaste. Si en algún momento te sientes fuera de control, detente.
- No salte ni rebote durante períodos prolongados.
- Mantén la vista en la colchoneta para mantener el control. Si no lo haces, podrías perder el equilibrio o el control.
- Nunca más de una persona en el trampolín al mismo tiempo.
- Utilice siempre la cama elástica bajo la supervisión de un adulto.
- Los adultos deben montar esta cama elástica.
- No debe realizarse ninguna modificación en la cama elástica ni en ninguno de sus componentes. Cualquier modificación podría provocar daños en el producto o lesiones personales.

SUPERVISORES

Infórmese sobre los saltos básicos y las normas de seguridad. Haga cumplir todas las normas de seguridad y asegúrese de que los nuevos saltadores aprenden los saltos básicos antes de intentar saltos más difíciles y avanzados.

- Todos los saltadores deben ser supervisados, independientemente de su nivel de habilidad o edad.
- Nunca use el trampolín cuando este mojado, dañado, sucio o desgastado. La cama elástica debe ser inspeccionada antes de que los saltadores comiencen a rebotar en ella.
- Mantenga todos los objetos que puedan obstruir al saltador lejos del trampolín. Sea consciente de lo que hay por encima, por debajo y alrededor del trampolín.
- Evite el uso no supervisado y no autorizado. El trampolín debe ser asegurado cuando no esté en uso.

COLOCACIÓN DEL TRAMPOLÍN

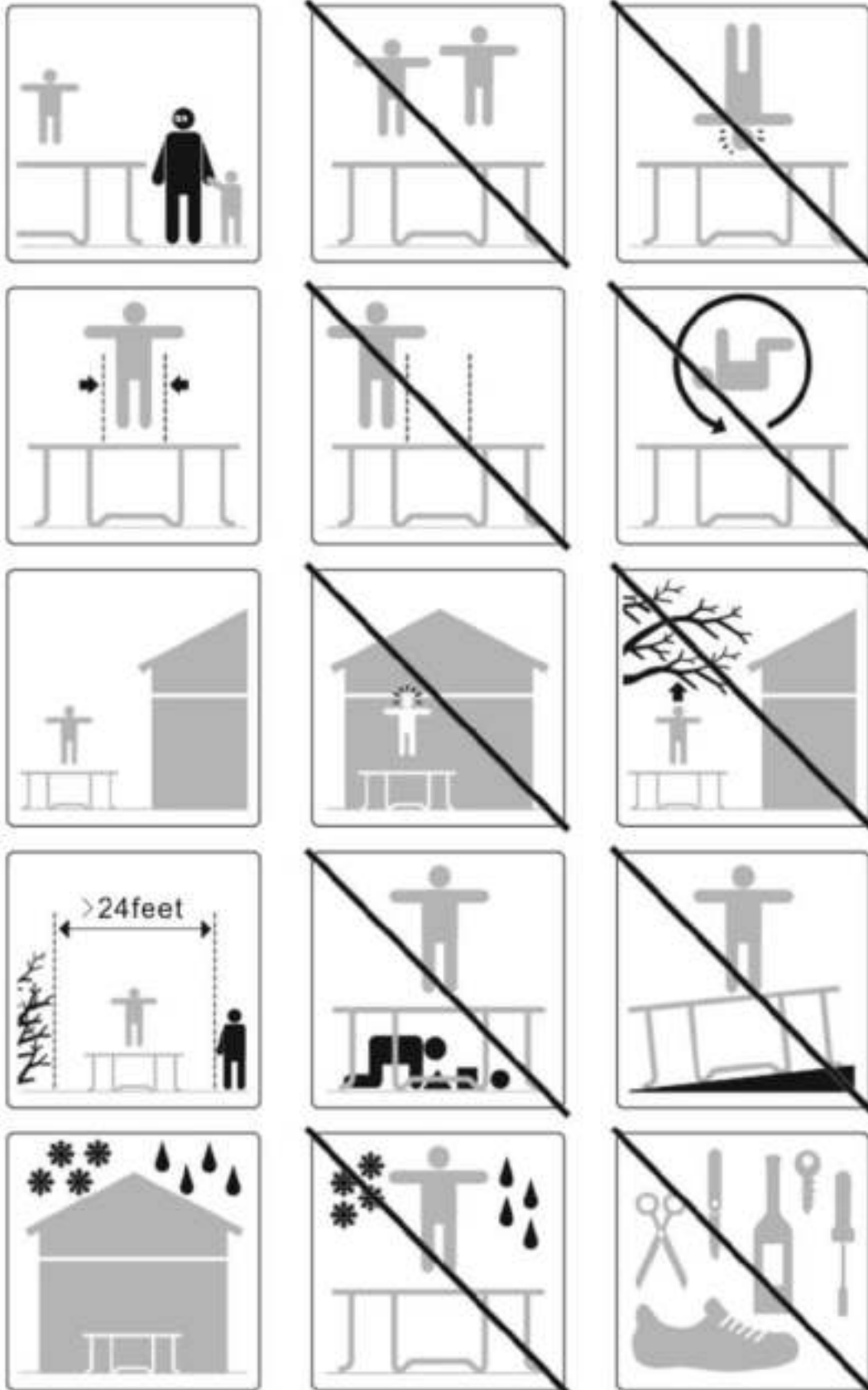
La distancia mínima requerida es de 8 metros (26 pies). Asegúrese de que no hay peligros u obstáculos cerca de la cama elástica, como ramas de árboles, columpios, piscinas, cables eléctricos, paredes, vallas, etc.

Por favor, tenga en cuenta lo siguiente a la hora de elegir un lugar para su cama elástica:

- La cama elástica debe colocarse en una superficie plana.
- La zona debe estar bien iluminada.
- Todas las obstrucciones de arriba, debajo o alrededor del trampolín deben ser retiradas.
- No utilice este trampolín en interiores.
- No utilice este trampolín sobre cualquier superficie de suelo resbaladizo, irregular o inclinado.
- No coloque la cama elástica sobre superficies duras, hormigón, etc., ya que puede dañar la estructura.
- La cama elástica debe estar bien fijada al suelo para evitar que se mueva al saltar.

ADVERTENCIA!

Si no sigues estas directrices, aumentas el riesgo de que alguien se lesione.



CUIDADO Y MANTENIMIENTO

- **GENERALIDADES** Su cama elástica está diseñada para estar al aire libre durante todo el año y generalmente requiere muy poco mantenimiento. Sin embargo, un poco de cuidado y previsión puede añadir años a la vida de su cama elástica. Recuerde que la cama (colchoneta) y las almohadillas del armazón están hechas de materiales sintéticos y se dañan fácilmente con colillas, fuegos artificiales y restos de hogueras.
- **MARCO** No se siente ni se ponga de pie sobre el marco o las almohadillas del marco mientras el trampolín está en uso, ya que esto restringe la acción de reflejo natural del marco. La aplicación de aceite o vaselina en el lugar donde los muelles se enganchan al armazón reducirá los chirridos y el desgaste de los orificios del armazón. Si aparece óxido en la superficie, debe eliminarse con un cepillo de alambre o papel de lija grueso, y tratar la zona con una pintura no tóxica.
- **LAS ALMOHADILLAS** del armazón sirven para proteger al usuario de cualquier caída o aterrizaje sobre los muelles y el armazón. En ningún caso debe permitirse que las personas se sienten o se pongan de pie sobre ellas cuando la cama elástica esté en uso. También debe asegurarse de que los usuarios más pequeños no utilicen los bordes interiores de las almohadillas como "asa" al subir a la cama elástica.
- **LA COLCHONETA** La colchoneta (cama) se irá debilitando con el paso de los años por los efectos de la radiación ultravioleta. Por lo tanto, cuanto más se proteja de la luz solar directa, más durará. Un poco de moho no debería dañar la esterilla. Asegúrese de quitarse los zapatos antes de saltar y de retirar cualquier otro objeto punzante, como hebillas de cinturones, broches y joyas.
- **LOS RESORTES** No se ponga sobre los resortes mientras el trampolín esté en uso. Procure no rebotar sobre los muelles. No están diseñados para este tipo de esfuerzo y pueden estirarse, deformarse y debilitarse. Si descubre que los muelles están estirados, es importante que los sustituya lo antes posible para evitar que se dañe la lona de la cama elástica y evitar que se sobrecargue y, por tanto, se dañen los muelles que quedan en buen estado.

Este trampolín ha sido diseñado y fabricado con materiales de calidad y artesanía. Con un cuidado y mantenimiento adecuados, proporcionará a todos los saltadores años de ejercicio, diversión y disfrute. Por favor, siga las siguientes directrices:

Los saltadores deben llevar calcetines, zapatillas de gimnasia o estar descalzos cuando utilicen el trampolín. Los zapatos de calle o las zapatillas de tenis NO deben usarse mientras se usa el trampolín. Para limitar los daños, no permita que los animales domésticos entren en la colchoneta. Los saltadores deben quitarse todos los objetos punzantes antes de utilizar la cama elástica. Todos los objetos afilados o puntiagudos deben mantenerse fuera de la lona del trampolín en todo momento.

Inspeccione siempre la cama elástica antes de cada uso para comprobar si hay piezas desgastadas, dañadas o que falten. Tenga en cuenta:

- Pinchazos, agujeros o desgarros en la lona de la cama elástica
- Colchoneta de trampolín que se hunde
- Costuras sueltas o cualquier tipo de deterioro de la alfombra
- Piezas del bastidor dobladas o rotas, como las patas
- Resortes rotos, faltantes o dañados
- Almohadilla del marco dañada, ausente o insegura
- Protuberancias de cualquier tipo (especialmente las afiladas) en el marco, los muelles o la alfombra
- No debe realizarse ninguna modificación en la cama elástica ni en ninguno de sus componentes. Cualquier modificación podría provocar daños en el producto o lesiones personales.
- Compruebe el apriete de todos los tornillos y tuercas y apriételes cuando sea necesario.
- Compruebe que todas las articulaciones con resorte (pit pin) están intactas y no pueden desprenderse durante el juego.
- Compruebe todos los revestimientos y los bordes afilados y sustitúyalos cuando sea necesario.
- Conserve el manual de instrucciones de mantenimiento.
- Los trampolines al aire libre deben estar equipados con un dispositivo que, en condiciones de viento fuerte, evite el desplazamiento debido al viento (por ejemplo, barras de acero en el suelo o cargas como sacos de arena o bolsas de agua) y/o deben retirarse los elementos que atrapan el viento, como la red y la alfombra.
- En algunos países, durante el periodo invernal, la carga de nieve y la temperatura muy baja pueden dañar la cama elástica. Se recomienda retirar la nieve y guardar la colchoneta y el recinto en el interior.
- Compruebe que la alfombra, el acolchado, el cerramiento y la superficie blanda no presentan defectos.

TRAMPOLINE & ENCLOSURE COMBO



SI ENCUENTRA ALGUNA DE LAS CONDICIONES ANTERIORES, O CUALQUIER OTRA COSA QUE CONSIDERE QUE PUEDA CAUSAR DAÑO A CUALQUIER USUARIO, EL TRAMPOLIN DEBE SER DESMONTADO O ASEGURADO PARA SU USO HASTA QUE LA CONDICIÓN(ES) HAYA SIDO RECTIFICADA.

CONDICIONES DE VIENTO

En caso de viento fuerte, el trampolín puede salir despedido. Si se esperan condiciones meteorológicas ventosas, el trampolín debe ser trasladado a una zona protegida o desmontado. Para garantizar la seguridad en condiciones meteorológicas normales condiciones, deben utilizarse al menos tres amarres. Asegure la estructura de la cama elástica al suelo. Es insuficiente para asegurar sólo las patas de la cama elástica al suelo, ya que pueden arrancar los enchufes de la estructura.

MOVER EL TRAMPOLÍN

Para mover la cama elástica, necesitará la ayuda de otro adulto. Todos los puntos de conexión deben ser envueltos con cinta adhesiva resistente a la intemperie, como la cinta adhesiva. Esto mantendrá la estructura intacta durante el traslado y evitará que los puntos de conexión se disloquen y se separen. Al trasladar la cama elástica, levántela ligeramente del suelo y manténgala en posición horizontal. Para cualquier otro tipo de traslado, debe desmontar la cama elástica. Después de cualquier mudanza realice una inspección completa de seguridad.

CAMAS ELÁSTICAS ENTERRADAS / NIVELADAS (“IN-GROUND” / “FLAT-GROUND”)

La siguiente información. Por favor, compruebe el manual de montaje

- Cómo construir el agujero al montar el trampolín (profundidad/forma/inclinación del agujero, etc.), incluyendo una ilustración que describa la forma del agujero.
- Cómo evitar que los pies queden atrapados si la cama elástica está provista de un sistema de muro de contención y, en particular, cómo evitar los huecos entre el suelo/sistema de muro de contención/marco.
- Cómo preparar y evaluar el terreno bajo la superficie blanda, incluyendo una ilustración que describe la forma de la zona preparada.

El agujero no debe acumular agua (por lo que es necesario el drenaje) y debe poder limpiarse durante el mantenimiento

GARANTÍA

Después de la fecha de la factura de compra, el propietario de la cama elástica AXI tiene una:

- 2 años de garantía sobre la rotura de la estructura
- 1 años de garantía sobre los muelles
- 1 años de garantía sobre la almohadilla de protección y la alfombra de salto.
- 1 años de garantía sobre la rotura de la red

AXI se reserva el derecho de no conceder la garantía si

- no se puede presentar el recibo de compra original;
- el trampolín AXI se utiliza para fines distintos a los que fue diseñado;
- se utiliza un método de montaje distinto al indicado
- las reparaciones técnicas se han llevado a cabo de forma poco profesional;
- la cama elástica AXI se utiliza en lugares públicos como escuelas y guarderías
- el trampolín AXI se alquila a terceros;
- se ha omitido el control periódico y, en su caso, la sustitución de piezas, tornillos y juntas.



PLAN DE LECCIÓN

Las siguientes lecciones se recomiendan para aprender los pasos y rebotes básicos antes de pasar a rebotes más difíciles y complicados. Debe leer y comprender todas las instrucciones de seguridad antes de montar el trampolín. Una completa discusión y demostración de la mecánica del cuerpo y de las directrices del trampolín debe ocurrir entre el supervisor y el estudiante.

Lección 1

- A. Montaje y desmontaje - Demostración de las técnicas adecuadas
- B. El rebote básico-Demostración y práctica
- C. Frenar (comprobar el rebote) - Demostración y práctica. Aprender a frenar a la orden
- D. Manos y rodillas - Demostración y práctica. Se debe hacer hincapié en el aterrizaje en cuatro puntos y en la alineación

Lección 2

- A. Repaso y práctica de las técnicas aprendidas en la lección 1
- B. Rebote de rodilla-Demostración y práctica. Aprender el movimiento básico de bajar a la rodilla y volver a subir antes de intentar el medio giro a la izquierda y a la derecha.
- C. Rebote en el asiento - Demostración y práctica. Aprender el rebote de asiento básico y luego añadir un rebote de rodilla, manos y rodillas; repetir

Lección 3

- A. Repasar y practicar las habilidades y técnicas aprendidas en las lecciones anteriores
- B. Caída frontal: se debe pedir a todos los alumnos que adopten la posición de decúbito prono (boca abajo en el suelo) mientras el instructor comprueba si hay posiciones defectuosas que puedan causar lesiones
- C. Comenzar con un rebote de manos y rodillas y luego extender el cuerpo en posición prona, aterrizar en la colchoneta y volver a los pies
- D. Rutina de práctica: rebote de manos y rodillas, rebote frontal, vuelta a los pies, rebote de asiento, vuelta a los pies

Lección 4

- A. Repasar y practicar las habilidades y técnicas aprendidas en las lecciones anteriores
- B. Media vuelta
 1. Comienza desde la posición de caída frontal. Al hacer contacto con la colchoneta, empuje con los brazos en la dirección derecha o izquierda y gire la cabeza y los hombros en la misma dirección.
 2. Durante el giro, asegúrese de mantener la espalda paralela a la colchoneta y la cabeza levantada.
 3. Después de completar el giro, aterrizar en posición de caída frontal

Después de completar esta lección, el alumno tiene ahora una comprensión básica de los rebotes en el trampolín. Los saltadores deben ser alentados a desarrollar sus propias rutinas con énfasis en el control y la forma.

Un juego que se puede realizar para animar a los alumnos a intentar desarrollar rutinas es "BOUNCE". En este juego, los jugadores cuentan del 1 al 10. El jugador uno comienza con una maniobra. El jugador dos tiene que hacer la maniobra del jugador uno y añadir otra. El jugador tres hace las maniobras de uno y dos y luego añade una tercera maniobra. Esto continúa hasta que un jugador no puede hacer la rutina correctamente en la secuencia correcta. La primera persona que falle, recibe la letra "B". Esto continúa hasta que alguien deletrea la palabra "BOUNCE". El último concursante que queda es considerado el ganador. Incluso cuando se juega a este juego, es importante realizar las rutinas bajo control. No intentes hacer rebotes difíciles o muy hábiles que aún no domines.

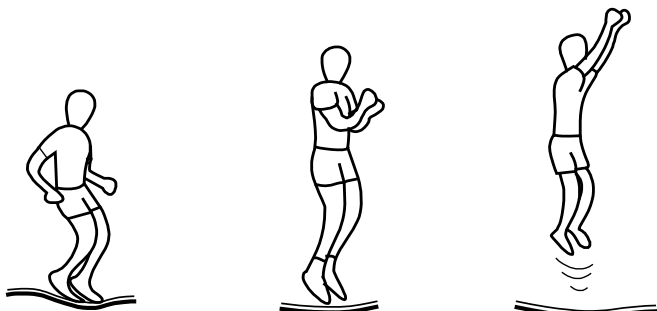
Se debe contactar con un instructor de trampolín certificado para seguir desarrollando sus habilidades en el trampolín.

TRAMPOLINE & ENCLOSURE COMBO



REBOTES BÁSICOS EN LA CAMA ELÁSTICA

EL REBOTE BÁSICO



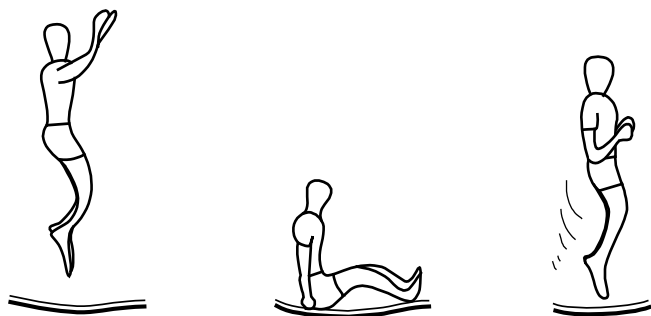
1. Comienza en posición de pie, con los pies separados a la anchura de los hombros, la cabeza levantada y los ojos en la colchoneta
2. Mueve los brazos hacia adelante, hacia arriba y alrededor en un movimiento circular.
3. Juntar los pies en el aire y apuntar los dedos hacia abajo
4. Mantenga los pies separados a la anchura de los hombros cuando aterrice en la colchoneta.

SALTO DE RODILLA



1. Empieza con un rebote básico y mantenlo bajo
2. Aterrice sobre las rodillas manteniendo la espalda recta, el cuerpo erguido. Utilice los brazos para mantener el equilibrio.
3. Vuelve a la posición básica de rebote balanceando los brazos hacia arriba

ASIENTO BOUNCE



1. Aterrice en posición sentada y plana.
2. Colocar las manos en la colchoneta junto a las caderas
3. Vuelva a la posición erecta empujando con las manos.

180 GRADO BOUNCE



1. Comienza con la posición de rebote frontal
2. Empuje con las manos y los brazos izquierdos o derechos (dependiendo de la dirección en la que desee girar)
3. Mantener la cabeza y los hombros en la misma dirección y mantener la espalda paralela a la colchoneta y la cabeza levantada
4. Aterrizar en posición prona y volver a la posición de pie empujando hacia arriba con las manos y los brazos



PERICOLO DI SOFFOCAMENTO

Componenti di piccole dimensioni. Non adatto per bambini sotto i 6 anni.

IL GIOCATTOLO DEVE ESSERE MONTATO DA UN ADULTO.

Descrizione dei rischi potenziali, ad es. in condizioni smontate contiene parti acuminatae potenzialmente pericolose; tenere quindi fuori dalla portata del bambino.

Esclusivamente per uso domestico.
Conservare per riferimento futuro.

RIMBALZA IN SICUREZZA SUL TUO TRAMPOLINO

PRIMA DI UTILIZZARE QUESTO TRAMPOLINO, SI PREGA DI LEGGERE TUTTE LE INFORMAZIONI FORNITE IN QUESTO MANUALE CON ATTENZIONE. PER RIDURRE IL RISCHIO DI LESIONI, SI PREGA DI SEGUIRE LA SICUREZZA APPROPRIATA REGOLE E CONSIGLI.

- Ispezionare il trampolino prima di ogni uso per verificare l'usura, le parti allentate o mancanti.
- Il montaggio, la cura e la manutenzione del prodotto, i consigli di sicurezza, le avvertenze e le tecniche corrette per saltare e rimbalzare sono tutti inclusi in questo manuale.
- Tutti gli utenti e i supervisori devono leggere e familiarizzare con queste istruzioni.
- Tutti gli utenti devono essere consapevoli dei propri limiti quando eseguono salti e rimbalzi con questo trampolino.
- Solo per uso domestico familiare.
- La rete di sicurezza deve essere equipaggiata se la lunghezza/diametro/diagonale del telaio è superiore a 2,5m

ATTENZIONE!

L'uso improprio e l'abuso di questo trampolino è pericoloso



NON PIÙ DI UNA PERSONA ALLA VOLTA SUL TRAMPOLINO! PIÙ SALTATORI AUMENTANO IL RISCHIO DI LESIONI COME LA ROTTURA DEL COLLO, DELLE GAMBE, DELLA SCHIENA O DELLA TESTA



NON ESEGUIRE CAPRIOLE (FLIPS) IN QUANTO CIÒ AUMENTERÀ IL RISCHIO DI ATTERRARE SULLA TESTA O SUL COLLO CON CONSEGUENTE AUMENTO DEL RISCHIO DI LESIONI GRAVI O MORTE

INFORMAZIONI AGGIUNTIVE

Come ogni attività che mette il corpo in movimento, il trampolino porta con sé alcuni rischi. Per diminuire il rischio di lesioni. Si raccomanda l'uso di un recinto per evitare che gli utenti cadano dal trampolino. Il recinto non deve essere usato per rimbalzare intenzionalmente dai lati. Nessun dispositivo può garantire completamente la vostra sicurezza e il gioco sicuro rimane una vostra responsabilità, un recinto riduce sostanzialmente il rischio di lesioni. Non permettere mai a più di una persona alla volta di salire sul trampolino. Non tentare inversioni, salti mortali o capriole. Sugeriamo anche l'uso di una superficie che assorba gli impatti sul terreno intorno al trampolino.

ATTENZIONE!

SALTATORI E SUPERVISORI:

- Attenzione! Niente salti mortali
- Attenzione! Solo per uso esterno
- Attenzione! Saltare senza scarpe
- Attenzione! Leggere sempre le istruzioni
- Attenzione! È necessaria la supervisione di un adulto
- Attenzione! Solo un utente, Pericolo di collisione
- Attenzione! Non uscire con il salto
- Attenzione! Non mangiare mentre si salta
- Attenzione! Non utilizzare il tappetino quando è bagnato
- Attenzione! Non utilizzare in condizioni di vento forte
- Attenzione! Non affondare il trampolino nel terreno.
- Attenzione! Svuotare le tasche e le mani prima di saltare
- Attenzione! Chiudere sempre l'apertura della rete prima di saltare
- Attenzione! Il tappetino e/o la rete devono essere sostituiti ogni anno
- Attenzione! Limitare il tempo di utilizzo continuo (fare soste regolari)
- Attenzione! Fissare sempre il trampolino con il kit di fissaggio quando è in uso
- Attenzione! Controllare che il tappetino, l'imbottitura e l'involucro siano senza difetti;
- Attenzione! Non usare il trampolino se hai consumato alcol o droghe
- Attenzione! Saltare sempre al centro delle condizioni del tappeto e fissare il trampolino
- Attenzione! In alcuni paesi durante il periodo invernale, il carico di neve e la temperatura molto bassa possono danneggiare il trampolino. Si raccomanda di rimuovere la neve e riporre il tappeto e il recinto al coperto
- Attenzione! Si deve salire e scendere in modo controllato e attento. Non saltare mai su o giù dal trampolino e non usare mai il trampolino come un dispositivo per rimbalzare su o contro un altro oggetto.
- Attenzione! Il trampolino deve essere montato da un adulto secondo le istruzioni di montaggio e successivamente controllato prima del primo utilizzo
- Attenzione! Il peso massimo dell'utente è:

Trampolino rotondo		Trampolino ovale		Trampolino rettangolare	
<Ø8ft.(2.5M)	>Ø8ft.(2.5M)	<Ø438x310cm	>Ø360x264cm	<Ø432x303cm	>Ø318x212cm
50kg	100kg	120kg	100kg	120kg	100kg

ATTENZIONE!

1. NON tentare o permettere salti mortali. Atterrare sulla testa o sul collo può causare gravi lesioni, paralisi o morte, anche quando si atterra al centro del tappeto.
 2. NON permettere a più di una persona di salire sul trampolino in qualsiasi momento. L'uso da parte di più di una persona allo stesso tempo può provocare gravi lesioni.
 3. Utilizzare il trampolino solo con la supervisione di un adulto maturo e consapevole.
 4. I trampolini superiori a 20 in. (51 cm) di altezza non sono raccomandati per l'uso da parte di bambini di età inferiore ai 6 anni.
 5. Ispezionare il trampolino prima di ogni utilizzo. Assicurarsi che il cuscinetto del telaio sia posizionato correttamente e in modo sicuro. Sostituire qualsiasi parte usurata, difettosa o mancante.
 6. Salire e scendere dal trampolino. Non saltare dal trampolino al pavimento o al suolo quando si smonta, o sul trampolino quando si monta. Non usare il trampolino come trampolino per altri oggetti.
 7. Fermare il rimbalzo flettendo le ginocchia quando i piedi entrano in contatto con il tappeto del trampolino. Impara questa abilità prima di tentare altre.
 8. Imparare bene i rimbalzi fondamentali e le posizioni del corpo prima di provare manovre più avanzate. Una varietà di manovre del trampolino può essere eseguita eseguendo i fondamentali di base in diverse combinazioni, eseguendo un fondamentale dopo l'altro, con o senza rimbalzi dei piedi tra loro. Fare riferimento alla sezione Rimbalzare i fondamentali in questo manuale.
 9. Evitare di rimbalzare troppo in alto. Rimanere bassi finché non si è raggiunto il controllo del rimbalzo e l'atterraggio ripetuto al centro del trampolino. Il controllo è più importante dell'altezza.
 10. Mentre rimbalzi, tieni la testa alta e rivolta in avanti con gli occhi puntati sul perimetro del trampolino. Questo aiuterà a controllare l'equilibrio.
 11. Non rimbalzare quando si è stanchi o per periodi prolungati.
 12. Fissare correttamente il trampolino quando non è in uso e impedire l'uso non autorizzato. Se si usa una scala del trampolino, rimuoverla dal trampolino quando si lascia l'area per impedire l'accesso non sorvegliato ai bambini sotto i 6 anni di età.
 13. Mantenere un'area libera intorno al trampolino e rimuovere gli oggetti che potrebbero ostacolare l'utente.
 14. Non utilizzare il trampolino sotto l'influenza di alcol o droghe.
 15. Per informazioni su abilità e formazione, contattare un istruttore di trampolino certificato.
 16. Rimbalzare solo quando il tappeto è asciutto. Il trampolino non deve essere usato in condizioni di vento.
 17. Leggere tutte le istruzioni prima di usare il trampolino. Le avvertenze e le istruzioni per la cura, la manutenzione e l'uso di questo trampolino sono incluse per promuovere un uso sicuro e divertente di questa attrezzatura.
- NON indossare scarpe con suola dura perché causano un'eccessiva usura del tappeto.
NON indossare gioielli, ganci, bottoni o altre sporgenze che potrebbero impigliarsi sul tappeto.

Rimbalzo al centro del tappeto.

INSTALLAZIONE

1. Garantire un'adeguata distanza dall'alto. Si raccomanda un minimo di 26 piedi (8 metri) dal livello del suolo. Prevedere uno spazio libero per i cavi, i rami degli alberi e altri possibili pericoli.
2. Assicurare un'adeguata distanza laterale. Posizionare il trampolino lontano da muri, strutture, recinzioni, piscine e altre aree di gioco. Mantenere uno spazio libero su tutti i lati del trampolino.
3. Posizionare il trampolino su una superficie piana prima dell'uso.
4. Utilizzare il trampolino in una zona ben illuminata. L'illuminazione artificiale può essere necessaria per le aree ombreggiate.
5. Fissare il trampolino in un luogo sicuro.
6. Rimuovere qualsiasi ostacolo da sotto il trampolino.
7. Il proprietario e i supervisori del trampolino sono responsabili di rendere tutti gli utenti consapevoli delle pratiche specificate nelle istruzioni.

TRAMPOLINE & ENCLOSURE COMBO



INTRODUZIONE

Consultare sempre un medico prima di eseguire qualsiasi tipo di attività

SI PREGA DI CONSERVARE QUESTE INFORMAZIONI PER RIFERIMENTO FUTURO

INFORMAZIONI SULL'USO DEL TRAMPOLINO

Inizialmente, abituatevi alla sensazione e al rimbalzo del trampolino. L'attenzione deve essere concentrata sui fondamenti della posizione del corpo e si dovrebbe praticare ogni rimbalzo (i rimbalzi di base) fino a quando si può eseguire ciascuno con facilità e controllo.

Per frenare un rimbalzo, fletti le ginocchia bruscamente prima che i tuoi piedi entrino in contatto con esse. Questa tecnica dovrebbe essere praticata mentre state imparando ognuno dei rimbalzi di base. L'abilità di frenare dovrebbe essere usata ogni volta che si perde l'equilibrio o il controllo del salto.

Imparate sempre prima il rimbalzo più semplice e siate coerenti con il controllo del vostro rimbalzo prima di passare a rimbalzi più difficili e avanzati. Un rimbalzo controllato è quando il tuo punto di decollo e di atterraggio è lo stesso punto sul tappeto. Se si passa al rimbalzo successivo senza prima padroneggiare il precedente, si aumenta il rischio di lesioni.

Non rimbalzare sul trampolino per lunghi periodi di tempo perché la fatica può aumentare il rischio di lesioni. Rimbalzare solo per un breve periodo di tempo. Solo una persona alla volta dovrebbe rimbalzare sul trampolino.

I saltatori dovrebbero indossare una maglietta, pantaloncini o felpe e scarpe da ginnastica regolamentari, calze pesanti o essere a piedi nudi. Se sei agli inizi, potresti voler indossare magliette e pantaloni a maniche lunghe per proteggerti da graffi e abrasioni fino a quando non padroneggi le corrette posizioni di atterraggio e la forma. Non indossare scarpe con suola dura, come le scarpe da tennis, sul trampolino in quanto ciò causerà un'eccessiva usura del tappeto.

Si dovrebbe sempre montare e smontare correttamente per evitare lesioni. Per montare correttamente, si deve mettere la mano sul telaio e salire o rotolare sul telaio, sopra le molle e sul tappetino del trampolino. Ricordarsi sempre di mettere le mani sul telaio mentre si monta o si smonta. Non calpestare direttamente il tappetino del telaio o afferrare il tappetino del telaio. Per smontare correttamente, spostarsi sul lato del trampolino e mettere la mano sul telaio come supporto e fare un passo dal tappeto a terra. I bambini più piccoli devono essere assistiti durante il montaggio e lo smontaggio.

Non rimbalzare in modo sconsiderato sul trampolino, perché questo aumenterà il rischio di lesioni. La chiave della sicurezza e del divertimento sul trampolino è il controllo e la padronanza dei vari rimbalzi. Non cercare mai di superare un altro trampolino in termini di altezza! Non usare mai il trampolino senza supervisione.

CLASSIFICAZIONE DEGLI INCIDENTI

Montaggio e smontaggio: Fare molta attenzione quando si sale e si scende dal trampolino. NON montare il trampolino afferrando il cuscinetto del telaio, calpestando le molle o saltando sul tappeto da qualsiasi superficie (ad esempio un ponte, un tetto o una scala), perché questo aumenterà il rischio di lesioni. NON smontare saltando dal trampolino. Se i bambini piccoli giocano sul trampolino, potrebbero aver bisogno di aiuto per montare e smontare.

Uso di alcool o droghe: NON consumare alcool o droghe prima o durante l'uso di questo trampolino in quanto questo comprometterà il tuo giudizio, il tempo di reazione e la coordinazione fisica generale.

Colpire il telaio o le molle: Quando si gioca sul trampolino, rimanere al centro del tappeto. Questo ridurrà il rischio di lesioni dal telaio o dalle molle. Tenere sempre il tappetino del telaio sul telaio NON saltare o fare passi sul tappetino del telaio, non è destinato a sostenere il peso di una persona.

Perdita di controllo: NON provare le manovre difficili fino a quando non hai imparato la manovra precedente, perché questo aumenterà il rischio di lesioni. Un salto controllato è quando il tuo punto di decollo e di atterraggio è lo stesso punto sul tappeto. Se si perde il controllo quando si salta sul trampolino, piegare le ginocchia bruscamente quando si atterra e questo vi permetterà di fermare il salto e riprendere il controllo.

Salto mortali (Flips): NON ESEGUIRE salti mortali di nessun tipo (all'indietro o in avanti) su questo trampolino, in quanto ciò aumenterà il rischio di lesioni al collo o alla schiena, che possono risultare in morte o paralisi.

Oggetti estranei: NON usare il trampolino se ci sono animali domestici, altre persone, animali o qualsiasi oggetto sotto, sopra o vicino al trampolino, perché questo aumenterà il rischio di un infortunio. NON tenere in mano nessun oggetto estraneo e NON mettere nessun oggetto sul trampolino. Fare attenzione a ciò che si trova in alto quando si usa il trampolino. Rami di alberi, fili o altri oggetti situati sopra il trampolino possono provocare lesioni.

Scarsa manutenzione del trampolino: Un trampolino in cattive condizioni aumenta il rischio di lesioni. Si prega di ispezionare il trampolino prima di ogni uso per tubi d'acciaio piegati, tappetino strappato, molle allentate o rotte e stabilità generale del trampolino.

Condizioni meteorologiche: Si prega di essere consapevoli delle condizioni meteorologiche quando si usa il trampolino. Non usare il trampolino se il tappeto è bagnato. Non usare il trampolino in condizioni di vento.

Limitare l'accesso: Quando il trampolino non è in uso, riporre sempre la scala di accesso in un luogo sicuro per impedire l'accesso non autorizzato e senza supervisione.

CONSIGLI PER RIDURRE IL RISCHIO DI INCIDENTI

Il ruolo del saltatore nella prevenzione degli incidenti

Mantenete il controllo dei vostri salti. NON passare a manovre più complicate o più difficili finché non hai imparato il rimbalzo di base, fondamentale. L'educazione è la chiave della sicurezza. Leggere, capire e mettere in pratica tutte le precauzioni e le avvertenze di sicurezza prima di usare il trampolino. Un salto controllato è quando si atterra e si decolla dallo stesso punto del tappeto. Per ulteriori consigli e istruzioni sulla sicurezza, contatta un istruttore di trampolino certificato.

- Rimbalzare sempre al centro del letto. Rimbalzare vicino al bordo del letto può portare a lesioni e può anche allungare le molle. Il pad del telaio non è progettato né destinato a sostenere il peso dell'utente del trampolino. Non calpestare o saltare direttamente sul tappetino del telaio.
- Evitare di rimbalzare troppo in alto. Resta basso finché non riesci a controllare il tuo rimbalzo e ad atterrare costantemente al centro del letto.
- Per riprendere il controllo e fermare il salto, piegate rapidamente le ginocchia quando atterrate.
- Non utilizzare il trampolino quando si è sotto l'influenza di alcol o droghe.
- Permettere ad ogni saltatore un breve giro sul trampolino. Un rimbalzo prolungato espone un utente troppo stanco a un maggiore rischio di lesioni. I giri più lunghi tendono a diminuire l'interesse degli altri che aspettano di saltare.
- Il tappetino del trampolino è a diversi metri da terra. Saltare dal trampolino a terra o su qualsiasi altra superficie può provocare lesioni. Anche saltare sul trampolino da un tetto, un ponte o un altro oggetto rappresenta un rischio di lesioni. I bambini più piccoli potrebbero aver bisogno di assistenza per salire o scendere dal trampolino. Salire e scendere correttamente dovrebbe essere una regola ferrea fin dall'inizio. Gli utenti devono salire sul trampolino mettendo le mani sul telaio e salire o rotolare sul telaio, attraverso le molle e sul tappeto (letto). Non calpestare direttamente il tappetino del telaio o afferrare il tappetino del telaio quando si monta o si smonta il trampolino. Gli utenti dovrebbero sempre mettere le mani sul telaio mentre montano o smontano. Per smontare, i saltatori devono camminare verso il lato del tappeto (letto), piegarsi e mettere una mano sul telaio, poi fare un passo dal tappeto a terra.
- Le lesioni possono essere causate dall'impatto con il telaio o dalla caduta attraverso le molle mentre si salta o si sale o si scende dal trampolino. Rimanere al centro del tappeto elastico quando si salta. **ASSICURARSI DI MANTENERE IL PAD DEL TELAIO IN POSIZIONE PER COPRIRE IL TELAIO IN OGNI MOMENTO.** Il tappetino del telaio non è progettato né destinato a sostenere il peso dell'utente del trampolino. Non calpestare o saltare direttamente sul tappetino del telaio.

Il ruolo del supervisore nella prevenzione degli incidenti

I supervisori devono comprendere e far rispettare tutte le regole e le linee guida di sicurezza. È responsabilità del supervisore fornire consigli competenti e guida a tutti i saltatori. Se la supervisione non è disponibile o inadeguata, il trampolino deve essere smontato e conservato in un luogo sicuro per evitare un uso non autorizzato. Il supervisore è anche responsabile di assicurare che il cartello di sicurezza sia posto sul trampolino e che i saltatori siano informati di queste avvertenze e istruzioni.

ISTRUZIONI PER LA SICUREZZA DEL TRAMPOLINO

JUMPERS:

- Non utilizzare il trampolino mentre si è sotto l'influenza dell'alcool o di qualsiasi droga.
- Rimuovere tutti gli oggetti duri e taglienti dalla propria persona prima di usare il trampolino.
- Salire e scendere in modo controllato e attento. Non saltare su o giù dal trampolino e non usare mai il trampolino come un dispositivo per rimbalzare su o contro un altro oggetto.
- Impara il rimbalzo di base e padroneggia ogni tipo di rimbalzo prima di provare tipi di rimbalzo più difficili. Ripassa la sezione delle abilità di base per imparare le basi.
- Per fermare il rimbalzo, fletti le ginocchia quando i piedi entrano in contatto con il tappeto.
- Sii sempre in controllo quando rimbalzi sul trampolino. Un salto controllato è quando si atterra nello stesso punto da cui si è partiti. Se in qualsiasi momento ti senti fuori controllo, fermati.
- Non saltare o rimbalzare per periodi di tempo prolungati.
- Tieni gli occhi sul tappeto per mantenere il controllo. Se non lo fai, potresti perdere l'equilibrio o il controllo.
- Mai più di 1 persona sul trampolino in qualsiasi momento.
- Utilizzare sempre il trampolino sotto la supervisione di un adulto.
- Gli adulti devono assemblare questo trampolino.
- Non si deve apportare alcuna modifica al trampolino o a uno dei suoi componenti. Qualsiasi modifica potrebbe portare a danni al prodotto o a lesioni personali.

SUPERVISORI

Istruisci sui salti di base e sulle regole di sicurezza. Fai rispettare tutte le regole di sicurezza e assicurati che i nuovi saltatori imparino i salti di base prima di provare salti più difficili e avanzati.

- Tutti i saltatori devono essere sorvegliati, indipendentemente dal livello di abilità o dall'età.
- Non usare mai il trampolino quando è bagnato, danneggiato, sporco o usurato. Il trampolino deve essere ispezionato prima che qualsiasi saltatore inizi a rimbalzarci sopra.
- Tenere lontano dal trampolino tutti gli oggetti che potrebbero ostacolare il saltatore. Fare attenzione a ciò che si trova sopra, sotto e intorno al trampolino.
- Prevenire l'uso non supervisionato e non autorizzato. Il trampolino deve essere fissato quando non è in uso.

POSIZIONAMENTO DEL TRAMPOLINO

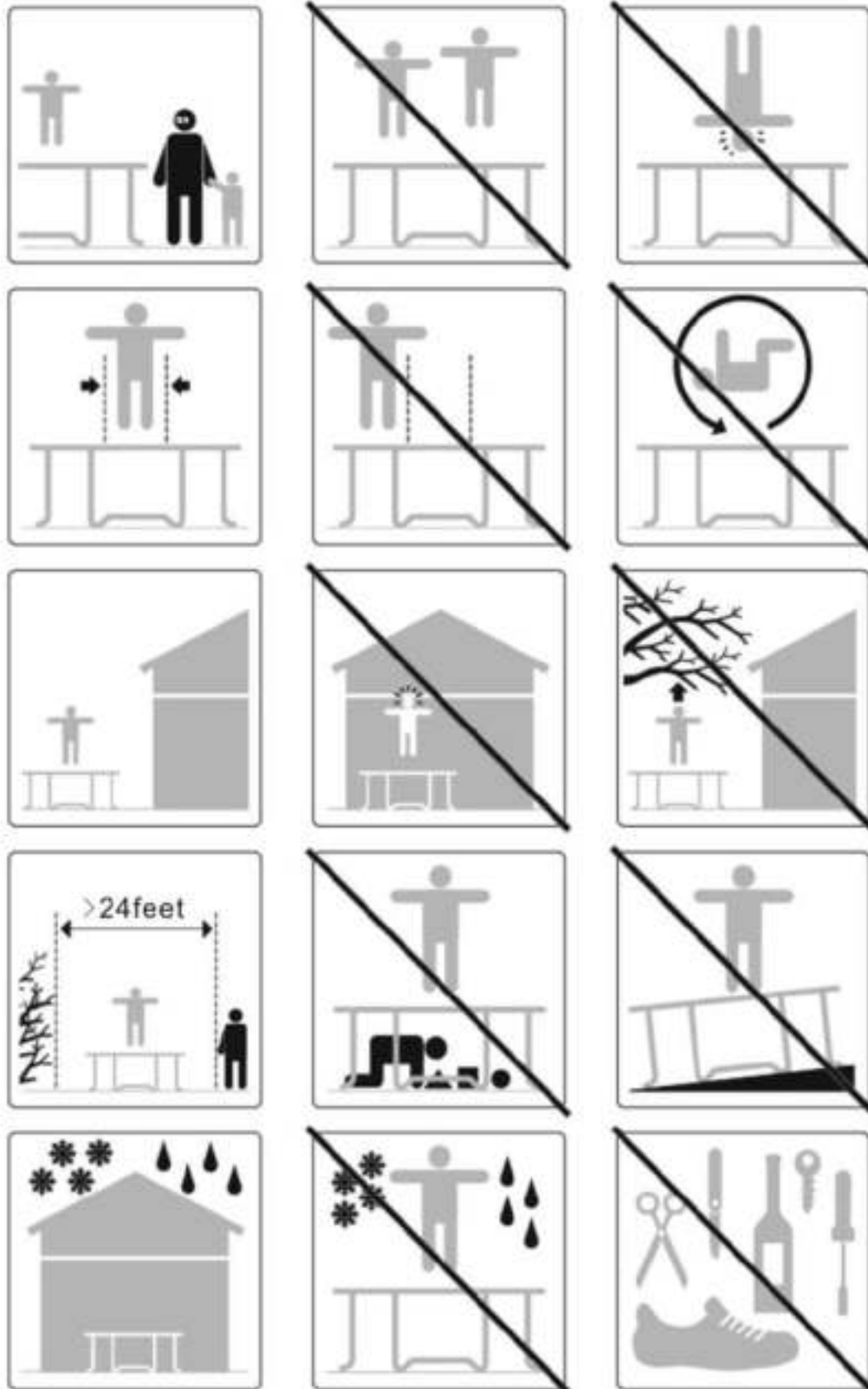
La distanza minima dall'alto richiesta è di 26 piedi (8 metri). Assicurarsi che non ci siano pericoli o ostacoli vicino al trampolino, come rami di alberi, altalene, piscine, cavi elettrici, muri, recinzioni, ecc.

Si prega di essere consapevoli di quanto segue quando si sceglie un posto per il vostro trampolino:

- Il trampolino deve essere posizionato su una superficie piana
- L'area deve essere ben illuminata.
- Tutti gli ostacoli sopra, sotto o intorno al trampolino devono essere rimossi.
- Non usare questo trampolino all'interno
- Non usare questo trampolino su qualsiasi superficie scivolosa, irregolare o in pendenza
- Non collocare il trampolino su superfici dure, cemento, ecc, perché questo può danneggiare il telaio
- Il trampolino deve essere ben fissato a terra per evitare che si muova quando si salta.

ATTENZIONE!

Si aumenta il rischio che qualcuno si faccia male se non si seguono queste linee guida.



CURA E MANUTENZIONE

- **GENERALE** Il vostro trampolino è progettato per stare all'esterno tutto l'anno e generalmente richiede poca manutenzione. Tuttavia, un po' di cura e previdenza possono aggiungere anni alla vita del vostro trampolino. Ricordate che il letto (tappetino) e i cuscinetti del telaio sono fatti di materiali sintetici e vengono facilmente danneggiati da mozziconi di sigarette, fuochi d'artificio e detriti di falò.
- **TELAIO** Non sedersi o stare in piedi sul telaio o sui cuscinetti del telaio mentre il trampolino è in uso, perché questo limita la naturale azione riflessa del telaio. Olio o vaselina applicati dove le molle si agganciano al telaio ridurranno il cigolio e l'usura dei fori del telaio. Se appare della ruggine in superficie, questa deve essere rimossa con una spazzola metallica o con carta vetrata grossolana, e l'area deve essere trattata con una vernice non tossica.
- I tamponi del telaio servono a proteggere l'utente da qualsiasi caduta o atterraggio sulle molle e sul telaio. In nessun caso si deve permettere alle persone di sedersi o stare in piedi su di essi quando il trampolino è in uso. Bisogna anche assicurarsi che gli utenti più piccoli non usino i bordi interni delle protezioni come una "maniglia" quando salgono sul trampolino.
- **IL TAPPETO** Il tappetino (letto), nel corso degli anni, sarà gradualmente indebolito dagli effetti della radiazione ultravioletta. Pertanto, più può essere protetto dalla luce diretta del sole, più a lungo durerà. Un po' di muffa non dovrebbe danneggiare il tappeto. Assicuratevi che le scarpe siano rimosse prima del rimbalzo e che siano rimossi anche altri oggetti appuntiti come fibbie di cinture, spille e gioielli.
- **LE MOLLE** Non stare in piedi sulle molle mentre il trampolino è in uso. Cercate di non rimbalzare sulle molle. Non sono progettate per questo tipo di stress e possono allungarsi, deformarsi e indebolirsi. Se vi accorgete di avere delle molle allungate, è importante sostituirle il prima possibile per evitare di danneggiare il tappeto del trampolino ed evitare di sovraccaricare e quindi danneggiare le restanti molle buone.

Questo trampolino è stato progettato e fabbricato con materiali di qualità e artigianato. Con una cura e una manutenzione adeguate, fornirà a tutti i saltatori anni di esercizio, divertimento e gioia. Si prega di seguire le linee guida qui sotto:

I saltatori devono indossare calze, scarpe da ginnastica o essere a piedi nudi quando usano il trampolino. Le scarpe da ginnastica o da tennis NON devono essere indossate quando si usa il trampolino. Per limitare i danni, non permettere agli animali domestici di salire sul tappeto. I saltatori devono rimuovere tutti gli oggetti appuntiti dalla loro persona prima di usare il trampolino. Tutti gli oggetti affilati o appuntiti devono essere tenuti fuori dal tappeto elastico in ogni momento.

Ispezionare sempre il trampolino prima di ogni utilizzo per individuare parti usurate, danneggiate o mancanti. Si prega di essere consapevoli di:

- Forature, buchi o strappi nel tappetino del trampolino
- Tappetino del trampolino cadente
- Cuciture allentate o qualsiasi tipo di deterioramento del tappeto
- Parti del telaio piegate o rotte, come le gambe
- Molle rotte, mancanti o danneggiate
- Cuscinetto del telaio danneggiato, mancante o attaccato in modo insicuro
- Sporgenze di qualsiasi tipo (specialmente quelle taglienti) sul telaio, sulle molle o sul tappeto
- Non si deve apportare alcuna modifica al trampolino o a uno dei suoi componenti. Qualsiasi modifica potrebbe portare a danni al prodotto o a lesioni personali.
- Controllare che tutti i dadi e i bulloni siano ben stretti e stringerli quando necessario.
- Controllare che tutti i giunti a molla (perno di fossa) siano ancora intatti e non possano sloggare durante il gioco.
- Controllare tutti i rivestimenti e i bordi taglienti e sostituirli quando necessario.
- Conservare il manuale di istruzioni per la manutenzione.
- I trampolini all'aperto devono essere dotati di un dispositivo che in condizioni di vento forte eviti lo spostamento dovuto al vento (per esempio barre d'acciaio nel terreno o carichi come sacchi di sabbia o d'acqua) e/o gli elementi che catturano il vento come la rete e il tappeto devono essere rimossi.
- In alcuni paesi durante il periodo invernale, il carico di neve e la temperatura molto bassa possono danneggiare il trampolino. Si raccomanda di rimuovere la neve e conservare il tappeto e il recinto al coperto.
- Controllare che tappetino, imbottitura, involucro e superficie morbida siano senza difetti.

SE SI TROVA UNA QUALSIASI DELLE CONDIZIONI PRECEDENTI, O QUALSIASI ALTRA COSA CHE SI RI-TIENE POSSA CAUSARE DANNI A QUALSIASI UTENTE, IL TRAMPOLINO DEVE ESSERE SMONTATO O MESSO AL SICURO DALL'USO FINO A QUANDO LA CONDIZIONE (O LE CONDIZIONI) NON SIA STATA RETTIFICATA.

CONDIZIONI DI VENTO

In condizioni di vento forte, il trampolino può essere spazzato via. Se si prevedono condizioni di vento, il trampolino deve essere spostato in una zona riparata o smontato. Per garantire la sicurezza in tempo normale condizioni, si dovrebbero usare almeno tre tiranti. Fissare il telaio del trampolino al suolo. È insufficiente per fissare solo le gambe del trampolino a terra perché possono tirare fuori le prese del telaio.

SPOSTARE IL TRAMPOLINO

Quando si sposta il trampolino, è necessaria l'assistenza di un altro adulto. Tutti i punti di connessione devono essere avvolti saldamente con del nastro resistente alle intemperie, come il nastro adesivo. Questo manterrà il telaio intatto durante lo spostamento e impedirà ai punti di connessione di dislocarsi e separarsi. Durante lo spostamento, sollevare il trampolino leggermente da terra e mantenerlo orizzontale al suolo. Per qualsiasi altro tipo di spostamento, è necessario smontare il trampolino. Dopo ogni spostamento si prega di effettuare un'ispezione di sicurezza completa.

TRAMPOLINI INTERRATI / LIVELLATI (IN-GROUND / FLAT-GROUND)

Le seguenti informazioni. Si prega di controllare il manuale di montaggio

- Come costruire il foro quando si monta il trampolino (profondità/forma/inclinazione del foro, ecc.) compresa un'illustrazione che descrive la forma del foro.
- Come evitare l'intrappolamento dei piedi se il trampolino è dotato di un sistema di muro di contenimento e, in particolare, come evitare spazi vuoti tra il terreno/sistema di muro di contenimento/telaio.
- Come preparare e valutare il terreno sotto la superficie morbida, compresa un'illustrazione che descrive la forma dell'area preparata.

Il foro non deve accumulare acqua (quindi il drenaggio è necessario) e deve poter essere pulito durante la manutenzione

Attenzione! L'installazione del trampolino richiede una buca da scavare nel terreno. Se non si è sicuri del lavoro di terra, si prega di contattare un professionista

GARANZIA

Dopo la data della fattura di acquisto, il proprietario del trampolino AXI ha:

- 2 anni di garanzia contro la rottura del telaio
- 1 anni di garanzia sulle molle
- 1 anni di garanzia sull'imbottitura protettiva e sul tappeto di salto
- 1 anni di garanzia contro la lacerazione della rete

AXI si riserva il diritto di non fornire una garanzia se:

- non può essere presentato uno scontrino originale;
- il trampolino AXI viene utilizzato per scopi diversi da quelli per cui è stato progettato;
- viene utilizzato un metodo di montaggio diverso da quello indicato;
- le riparazioni tecniche sono state effettuate in modo non professionale;
- il trampolino AXI è utilizzato in luoghi pubblici come scuole e asili;
- il trampolino AXI è affittato a terzi;
- è stato omesso il controllo regolare ed eventualmente la sostituzione di parti, viti e giunti.

PIANO DI LEZIONE

Le seguenti lezioni sono raccomandate per imparare i passi e i rimbalzi di base prima di passare a rimbalzi più difficili e complicati. È necessario leggere e comprendere tutte le istruzioni di sicurezza prima di montare il trampolino. Una completa discussione e dimostrazione della meccanica del corpo e delle linee guida del trampolino dovrebbe avvenire tra il supervisore e lo studente.

Lezione 1

- A. Montaggio e smontaggio - Dimostrazione delle tecniche corrette
- B. Il rimbalzo di base - Dimostrazione e pratica
- C. Frenare (Controllare il rimbalzo) - Dimostrazione e pratica. Imparare a frenare a comando
- D. Mani e ginocchia - Dimostrazione e pratica. L'accento dovrebbe essere posto sull'atterraggio a quattro punti e sull'allineamento

Lezione 2

- A. Ripasso e pratica delle tecniche apprese nella Lezione 1
- B. Rimbalzo del ginocchio - Dimostrazione e pratica. Imparare la base giù al ginocchio e indietro prima di provare il mezzo giro a sinistra e a destra
- C. Rimbalzo del sedile - Dimostrazione e pratica. Imparare il rimbalzo del sedile di base, poi aggiungere un rimbalzo del ginocchio, mani e ginocchia; ripetere

Lezione 3

- A. Rivedere e praticare le abilità e le tecniche apprese nelle lezioni precedenti
- B. Front Drop - A tutti gli studenti dovrebbe essere richiesto di assumere la posizione prona (faccia a terra) mentre l'istruttore controlla le posizioni errate che potrebbero causare lesioni
- C. Iniziare con un rimbalzo mani e ginocchia e poi estendere il corpo in posizione prona, atterrare sul tappeto e tornare in piedi
- D. Pratica Routine-Mani e ginocchia Rimbalzo, rimbalzo frontale, ritorno ai piedi, rimbalzo del sedile, ritorno ai piedi

Lezione 4

- A. Rivedere e praticare le abilità e le tecniche apprese nelle lezioni precedenti
- B. Mezzo giro
 1. Iniziare dalla posizione di caduta frontale. Quando prendi contatto con il tappeto, spingi con le braccia in direzione destra o sinistra e gira la testa e le spalle nella stessa direzione.
 2. Durante il giro, assicurati di mantenere la schiena parallela al tappeto e la testa in alto.
 3. Dopo aver completato la virata, atterrare in posizione di caduta anteriore

Dopo aver completato questa lezione, lo studente ha ora una comprensione di base dei rimbalzi del trampolino. I saltatori dovrebbero essere incoraggiati a sviluppare le proprie routine con enfasi sul controllo e sulla forma.

Un gioco che può essere fatto per incoraggiare gli studenti a cercare di sviluppare delle routine è "BOUNCE". In questo gioco, i giocatori contano da 1 a 10. Il giocatore uno inizia con una manovra. Il giocatore due deve fare la manovra del giocatore uno e aggiungerne un'altra. Il giocatore tre fa le manovre di uno e due e poi aggiunge una terza manovra. Questo continua fino a quando un giocatore non riesce a fare la routine correttamente nella sequenza corretta. La prima persona che sbaglia riceve la lettera "B". Questo continua fino a quando qualcuno scrive la parola "BOUNCE". L'ultimo concorrente rimasto è considerato il vincitore! Anche quando si gioca a questo gioco, è importante eseguire le routine sotto controllo. Non tentare rimbalzi difficili o altamente qualificati che non hai ancora imparato a fare.

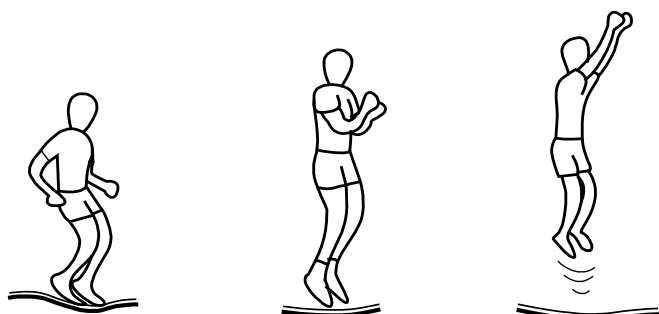
Un istruttore di trampolino certificato dovrebbe essere contattato per sviluppare ulteriormente le tue capacità di trampolino.

TRAMPOLINE & ENCLOSURE COMBO



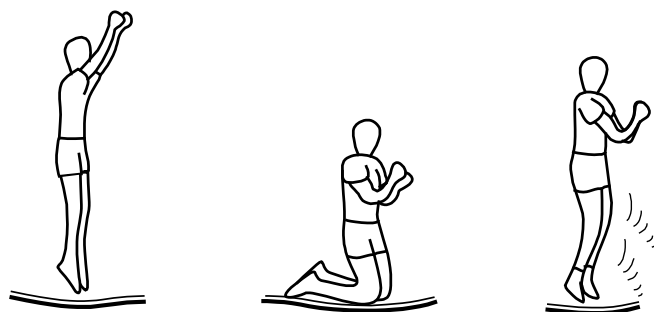
RIMBALZI DI BASE DEL TRAMPOLINO

IL RIMBALZO DI BASE



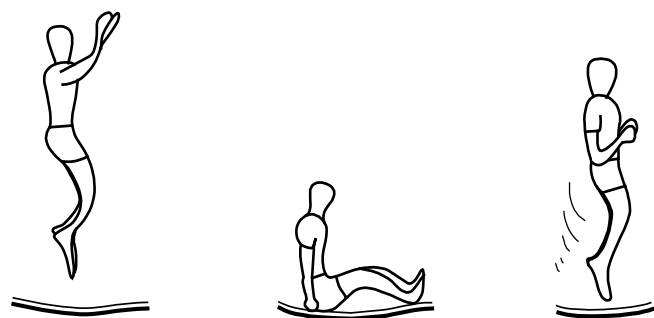
1. Iniziare dalla posizione in piedi, con i piedi alla larghezza delle spalle, la testa in alto e gli occhi sul tappeto
2. Oscillare le braccia in avanti, in alto e intorno in un movimento circolare.
3. Unire i piedi a mezz'aria e puntare le dita dei piedi verso il basso
4. Tenere i piedi alla larghezza delle spalle quando si atterra sul tappeto.

BOUNCE DEL GINOCCHIO



1. Iniziare con il rimbalzo di base e tenerlo basso
2. Atterrare sulle ginocchia mantenendo la schiena dritta e il corpo eretto. Usare le braccia per mantenere l'equilibrio.
3. Rimbalzare alla posizione di base di rimbalzo facendo oscillare le braccia verso l'alto

BOZZA DI SEDIA



1. Atterrate in una posizione seduta piatta.
2. Mettere le mani sul tappetino accanto ai fianchi
3. Ritornare alla posizione eretta spingendo con le mani.

180 BOUCHETTO DI DEGRADO



1. Iniziare con la posizione di rimbalzo anteriore
2. Spingere con le mani e le braccia sinistre o destre (a seconda della direzione in cui si vuole girare)
3. Mantenere la testa e le spalle nella stessa direzione e mantenere la schiena parallela al tappeto e la testa in alto
4. Atterrare in posizione prona e tornare in posizione eretta spingendo verso l'alto con mani e braccia

TRAMPOLINE & ENCLOSURE COMBO



PARTS

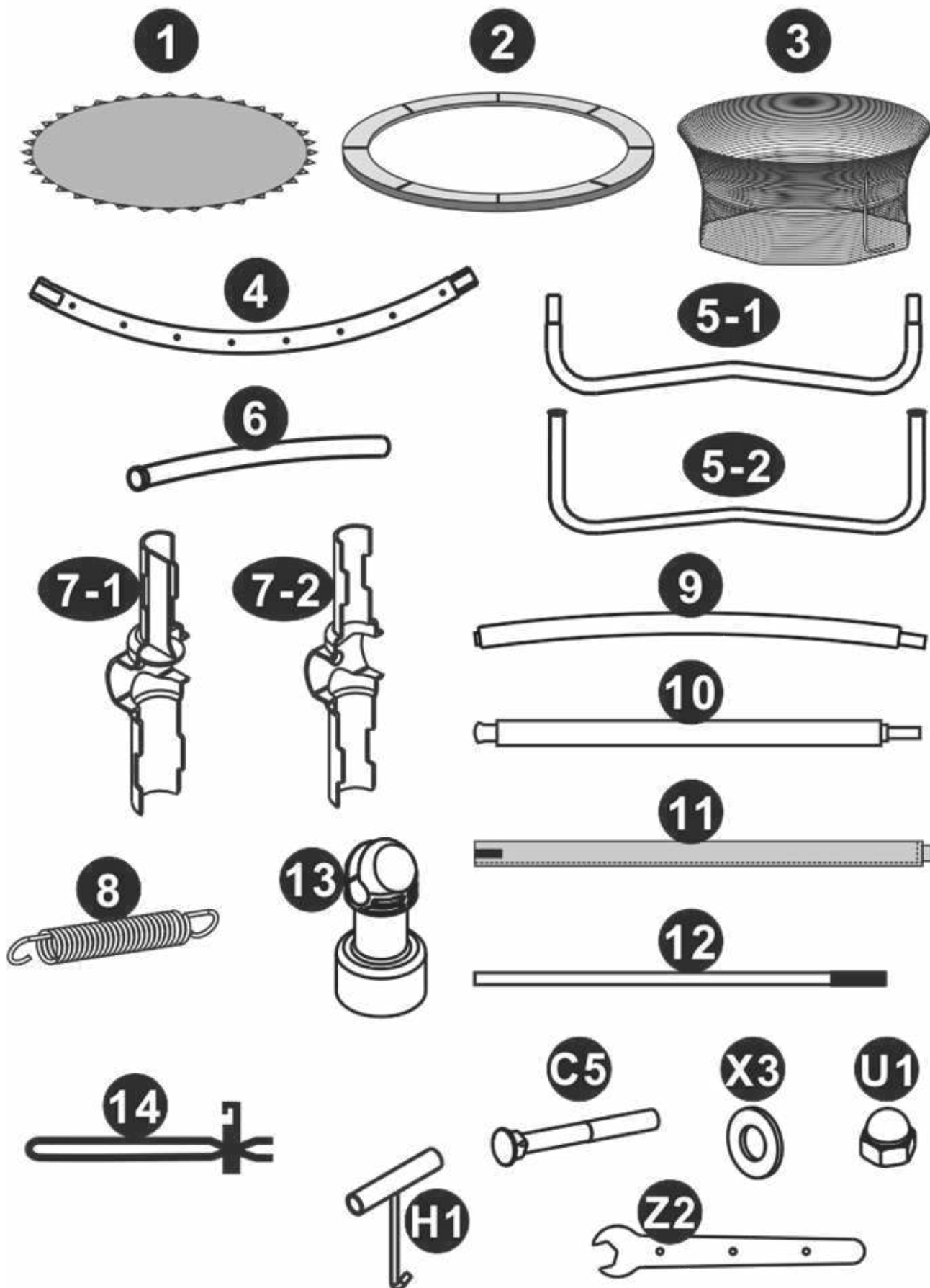
Part Number	Description	6' (183cm)	8' (244 cm)	10' (305 cm)	12' (366 cm)	13' (396 cm)	14' (427 cm)	
1	Trampoline Mat	1x						
2	Frame Pad	1x						
3	Safety Net	1x						
4	Top Rail	6x			8x			
5-1	Leg Base	\	3x		4x			
5-2	Leg Base	3 x		\				
6	Vertical Leg Extension	\	6x		8x			
7-1	"X" Section(Strengthen)	\		6x	8x			
7-2	"X" Section	12x		6x	8x			
8	Springs PCS	36	48	54	72	80	88	
9	Steel Pipe+EPE Foam 1	6x			8x			
10	Steel Pipe+EPE Foam 2	6x			8x			
11	Sleeves	6x			8x			
12	Fiber rod	12x			16x			
13	Top cap	6x			8x			
14	Elastic rope plus toggle	6x			8x			
C5	carriage bolts	6x			8x			
X3	Washer	6x			8x			
U1	Lockable nut	6x			8x			
H1	Spring Tool	1x						
Z2	Socket Wrench	1x						



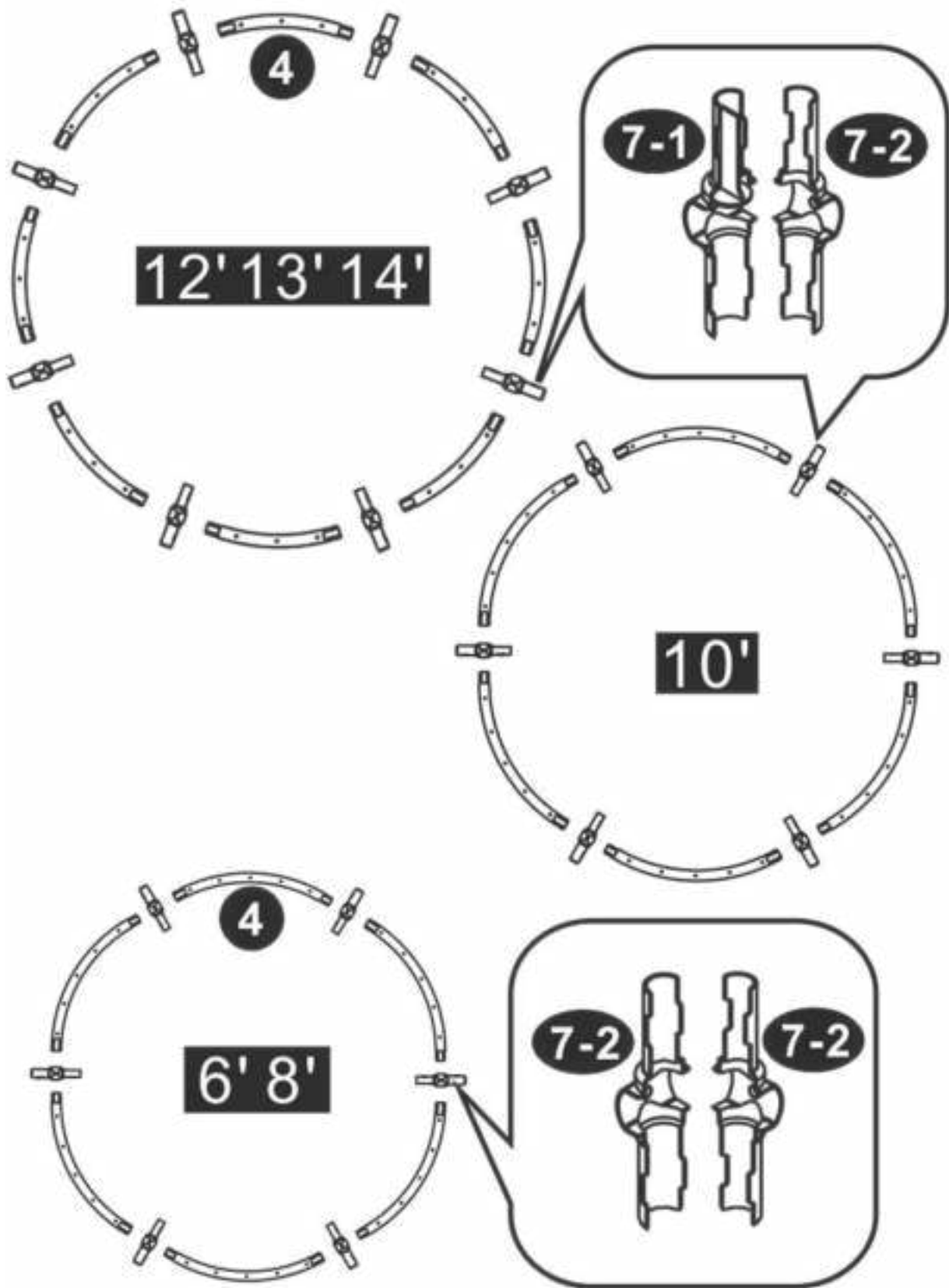
TRAMPOLINE & ENCLOSURE COMBO

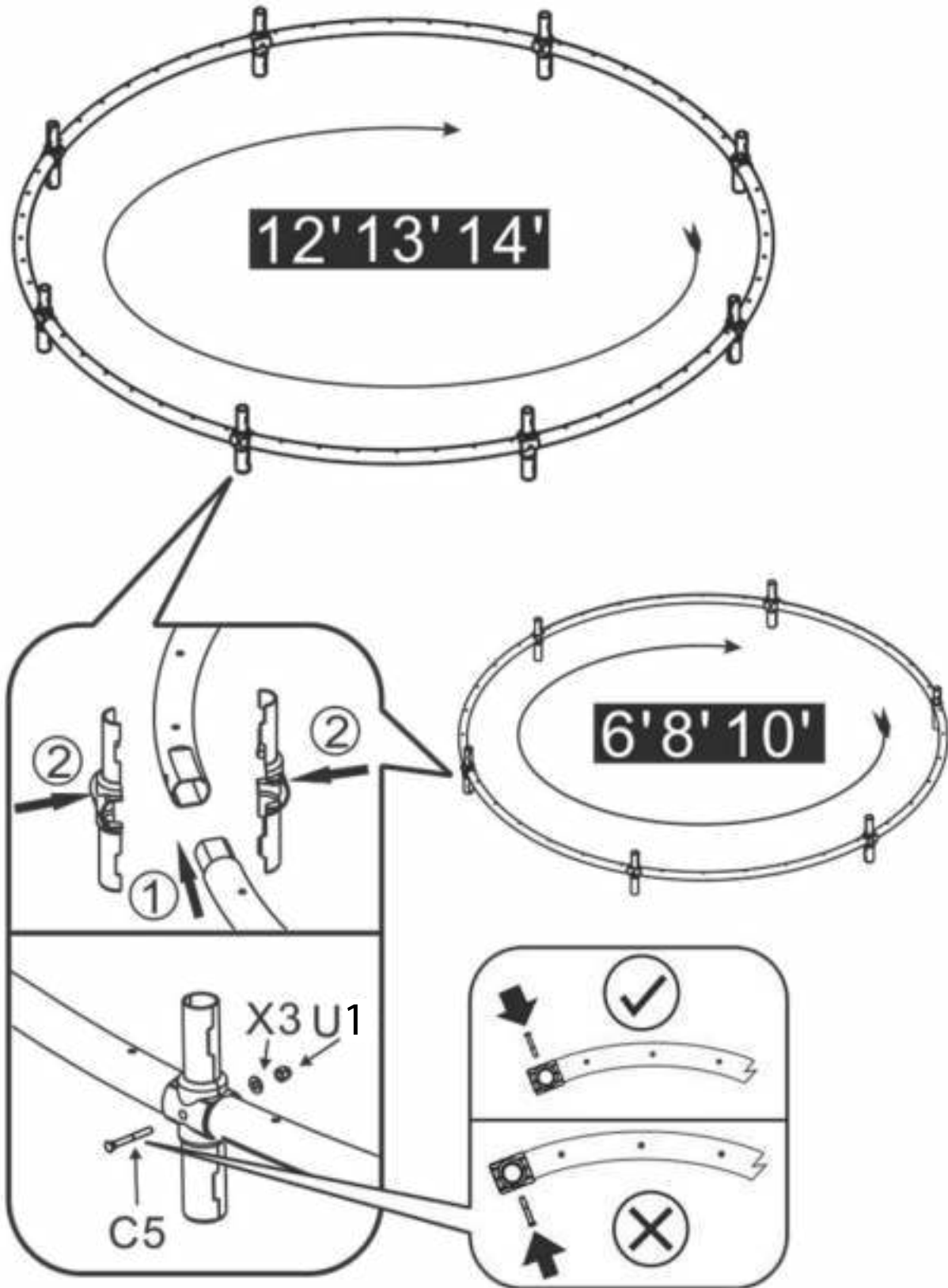


PARTS

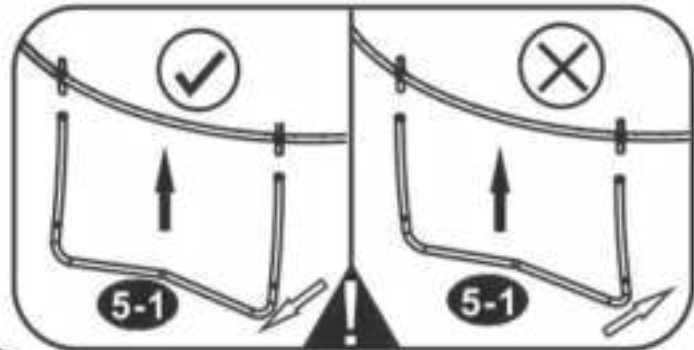


BY PRAGMA

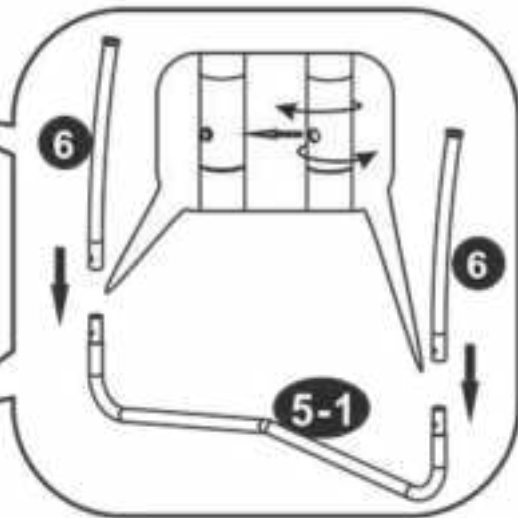
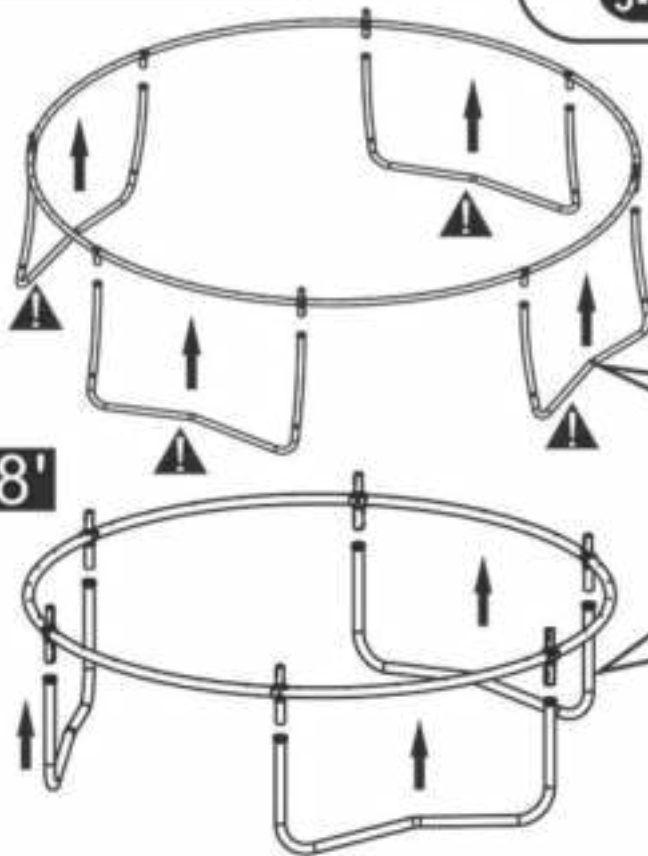




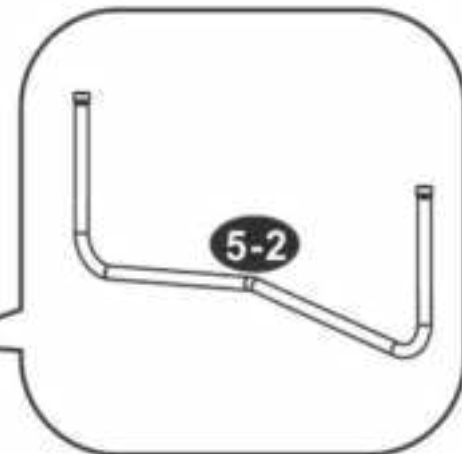
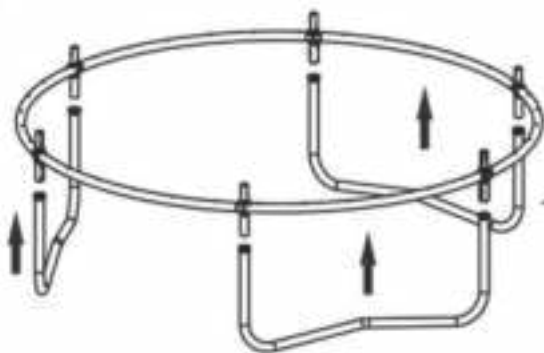
12' 13' 14'

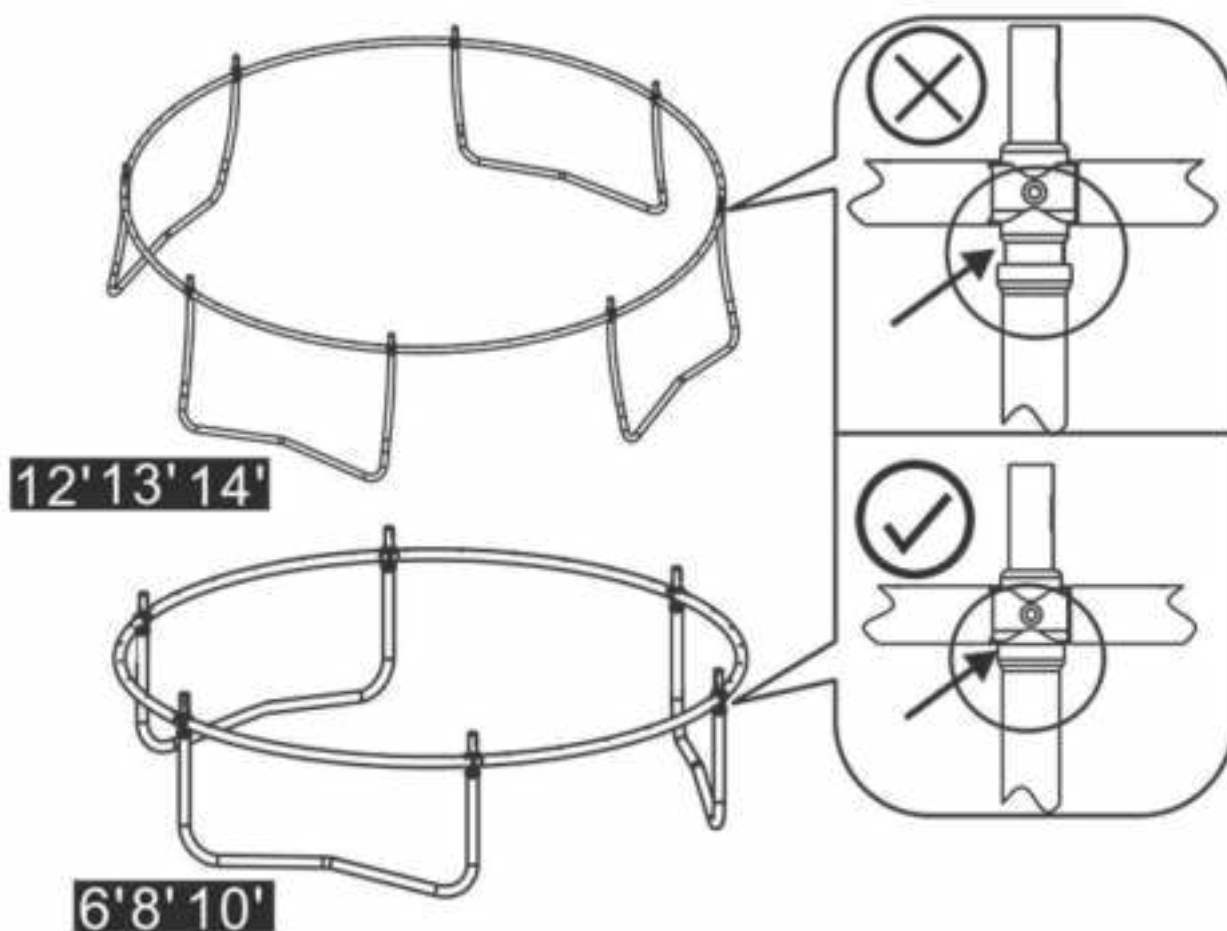


8'



6'





IMPORTANT - It is essential that the intended site for this trampoline is completely flat and level. If the ground is un-level this will cause movement in the frame and could cause stress on the joined sections.

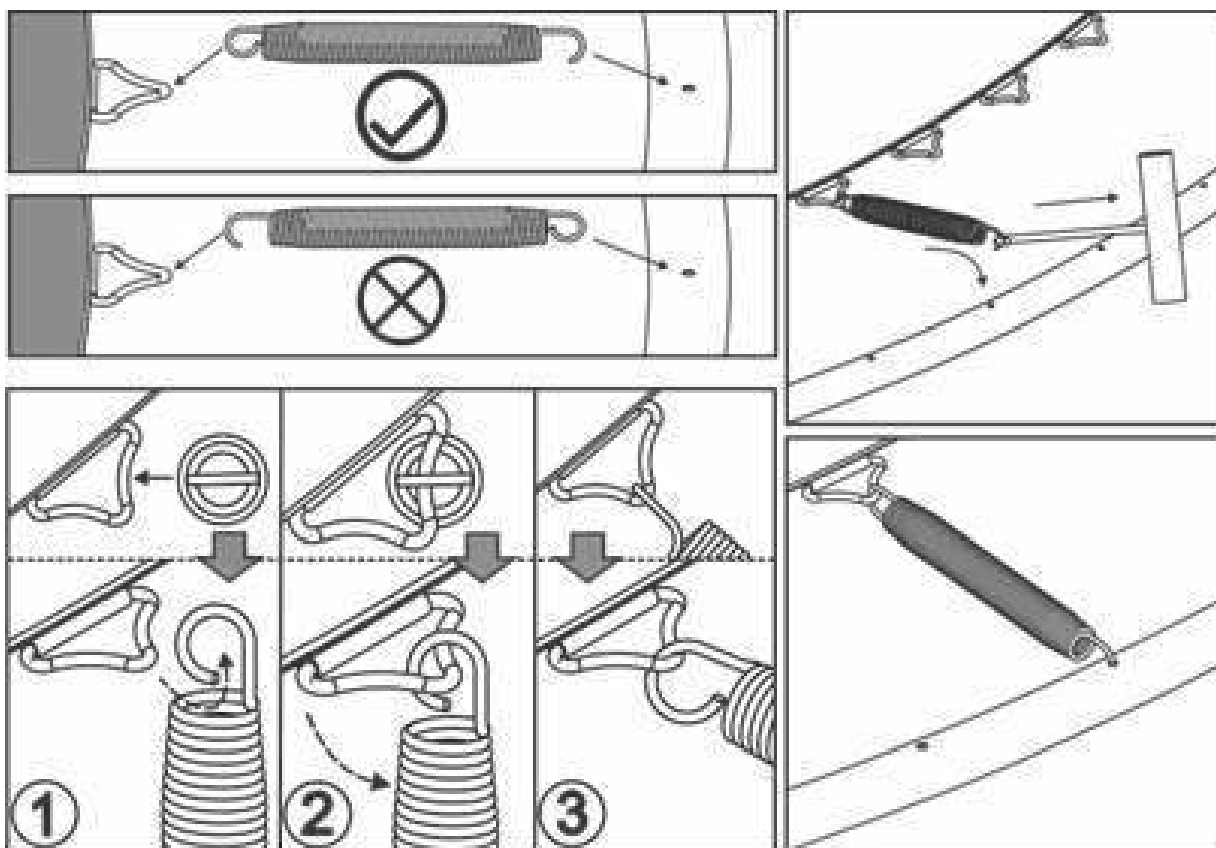
BELANGRIJK - Het is van essentieel belang dat de plaats waar deze trampoline moet komen volledig vlak en waterpas is. Als de grond niet vlak is, zal het frame bewegen en kunnen de samengevoegde delen onder spanning komen te staan.

WICHTIG - Es ist wichtig, dass der vorgesehene Standort für dieses Trampolin vollkommen flach und eben ist. Wenn der Boden nicht eben ist, führt dies zu einer Bewegung des Rahmens und kann zu Spannungen an den verbundenen Teilen führen.

IMPORTANT - Il est essentiel que l'emplacement prévu pour ce trampoline soit complètement plat et de niveau. Si le sol n'est pas de niveau, le cadre bougera et les sections assemblées risquent de subir des contraintes.

IMPORTANTE - Es esencial que el sitio previsto para este trampolín sea completamente plano y nivelado. Si el suelo no está nivelado, se producirá un movimiento en la estructura y podría causar tensión en las secciones unidas.

IMPORTANTE - È essenziale che il sito previsto per questo trampolino sia completamente piatto e livellato. Se il terreno non è livellato, questo causerà un movimento nel telaio e potrebbe causare uno stress sulle sezioni unite.



Pull the tool and attach the spring hook link up to the frame.

Be careful where you place your hands etc. during spring assembly as connector points can pinch!

Trek aan het gereedschap en bevestig de veerhaakverbinding aan het frame.

Wees voorzichtig met waar u uw handen enz. plaatst tijdens de montage van de veer, want de verbindingpunten kunnen knellen!

Ziehen Sie das Werkzeug und befestigen Sie die Federhakenverbindung am Rahmen.

Achten Sie bei der Montage der Feder darauf, wo Sie Ihre Hände etc. auflegen, da die Verbindungsstellen einklemmen können!

Tirez l'outil et fixez le lien du crochet à ressort au cadre.

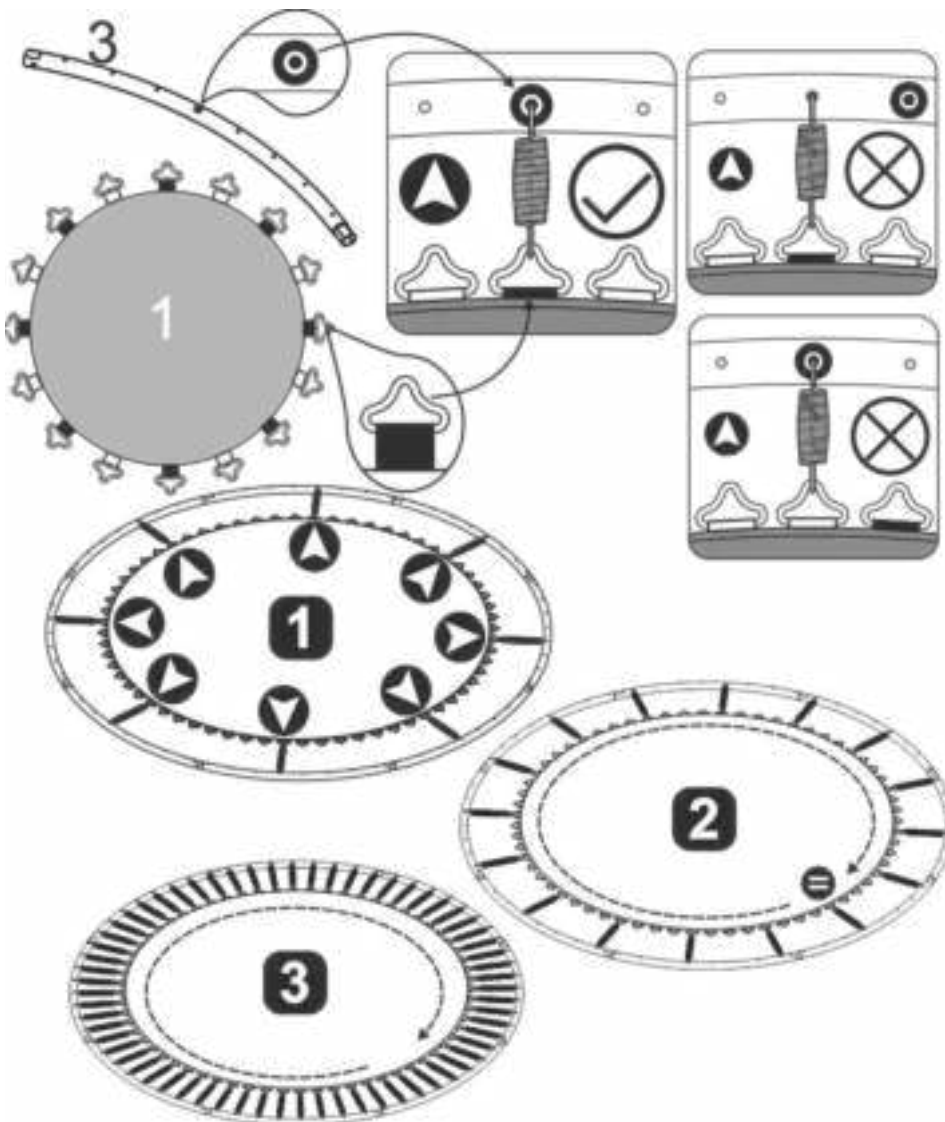
Faites attention à l'endroit où vous placez vos mains, etc. pendant l'assemblage du ressort car les points de connexion peuvent se pincer.

Tire de la herramienta y fije el eslabón del gancho del muelle al bastidor.

Tenga cuidado de dónde coloca las manos, etc., durante el montaje del muelle, ya que los puntos de conexión pueden pellizcarse.

Tirare l'attrezzo e attaccare il collegamento del gancio della molla al telaio.

Fate attenzione a dove mettete le mani ecc. durante il montaggio della molla, perché i punti di collegamento possono pizzicare!



Trampoline Mat Assembly

Take care when attaching springs to the trampoline mat. You will need another person to help you with this part of the assembly. ATTENTION-When attaching the Springs, the Connector Points can pinch as the trampoline is tightening up.

Trampolinemat Montage

Wees voorzichtig bij het bevestigen van de veren aan de trampolinemat. U zult een andere persoon nodig hebben om u te helpen met dit deel van de montage. ATTENTIE - Bij het bevestigen van de veren kunnen de verbindingpunten knellen als de trampoline wordt opgespannen.

Sprungtuch Befestigung

Seien Sie vorsichtig, wenn Sie die Federn an der Trampolinmatte befestigen. Sie benötigen eine weitere Person, die Ihnen bei diesem Teil des Aufbaus hilft. ACHTUNG: Beim Anbringen der Federn können die Verbindungspunkte beim Festziehen des Trampolins einklemmen.

Assemblage du Tapis du Trampoline

Faites attention lorsque vous fixez les ressorts au tapis du trampoline. Vous aurez besoin de l'aide d'une autre personne pour cette partie de l'assemblage. ATTENTION - Lors de la fixation des ressorts, les points de connexion peuvent pincer lorsque le trampoline est serré.

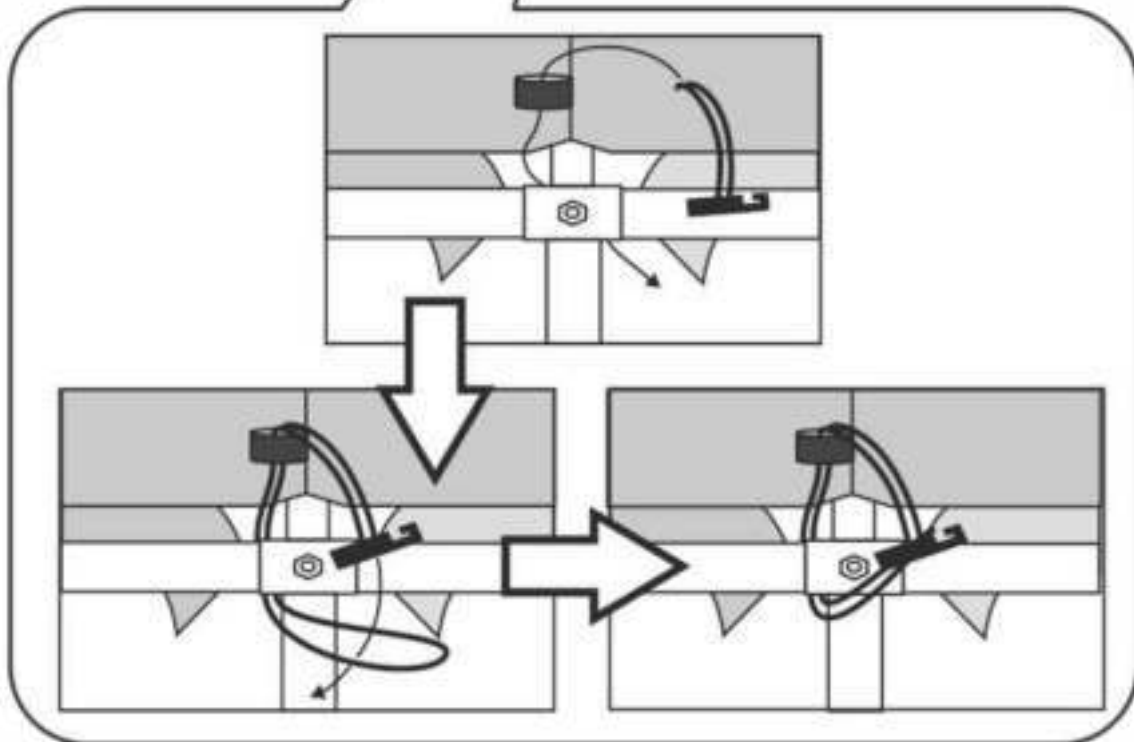
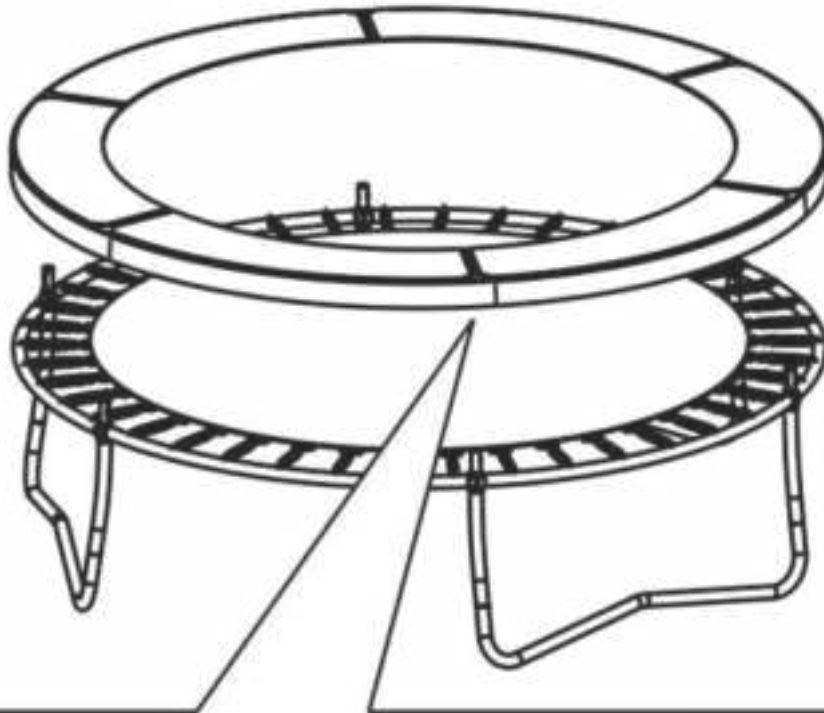
Montaje de la lona de la cama elástica

Tenga cuidado al fijar los muelles a la lona de la cama elástica. Necesitará que otra persona le ayude con esta parte del montaje. ATENCION-Cuando fije los muelles, los puntos de conexión pueden pellizcarse cuando el trampolín se esté tensando.

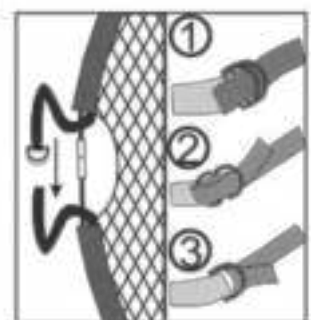
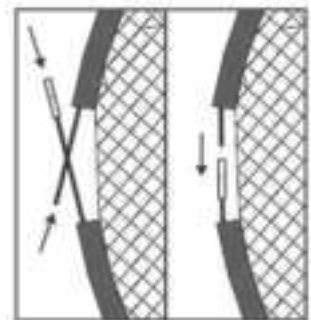
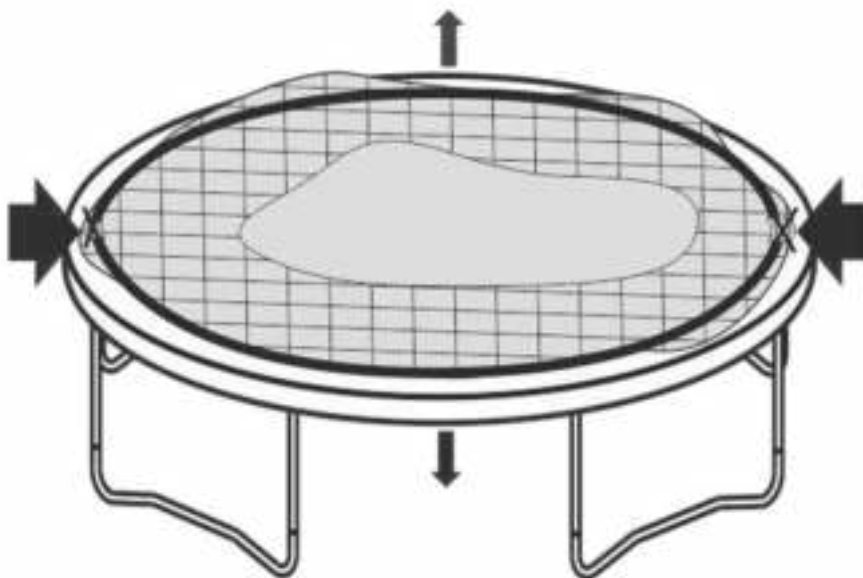
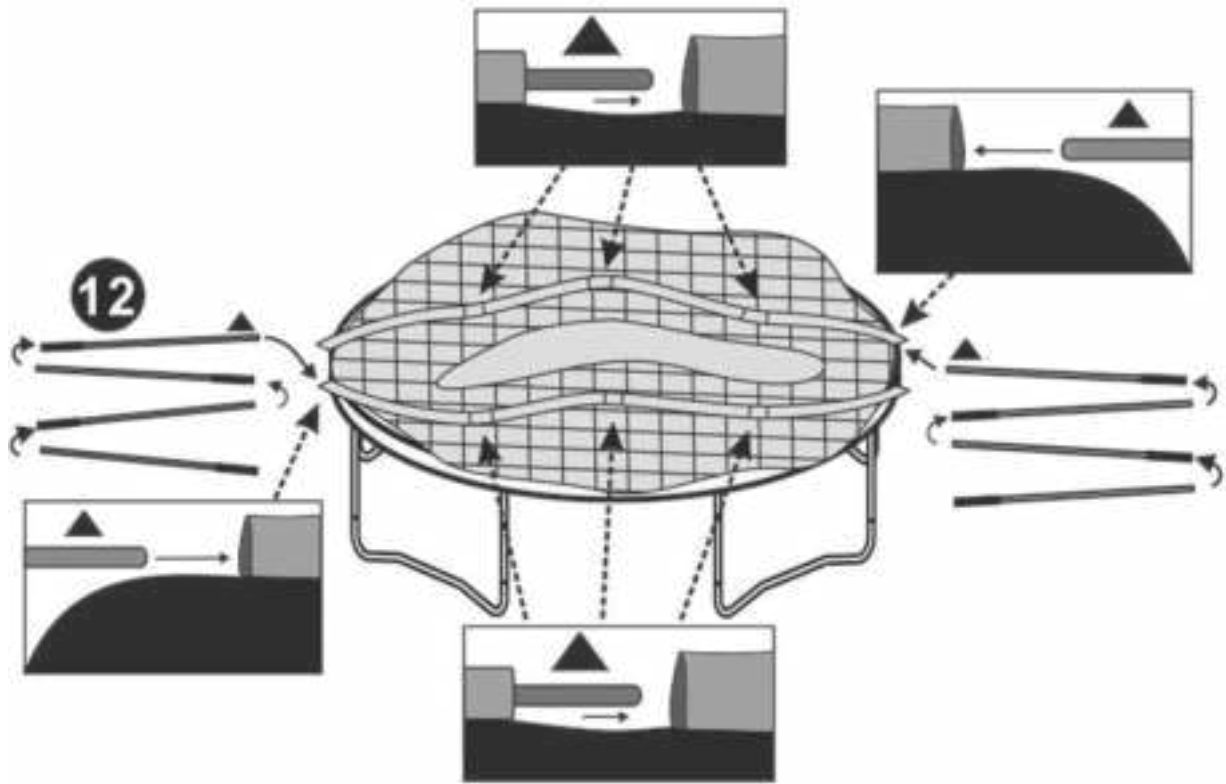
Montaggio del tappetino del trampolino

Fare attenzione quando si attaccano le molle al tappetino del trampolino. Avrete bisogno di un'altra persona che vi aiuti in questa parte del montaggio. ATTENZIONE - Quando si attaccano le molle, i punti di connessione possono pizzicare mentre il trampolino si stringe.

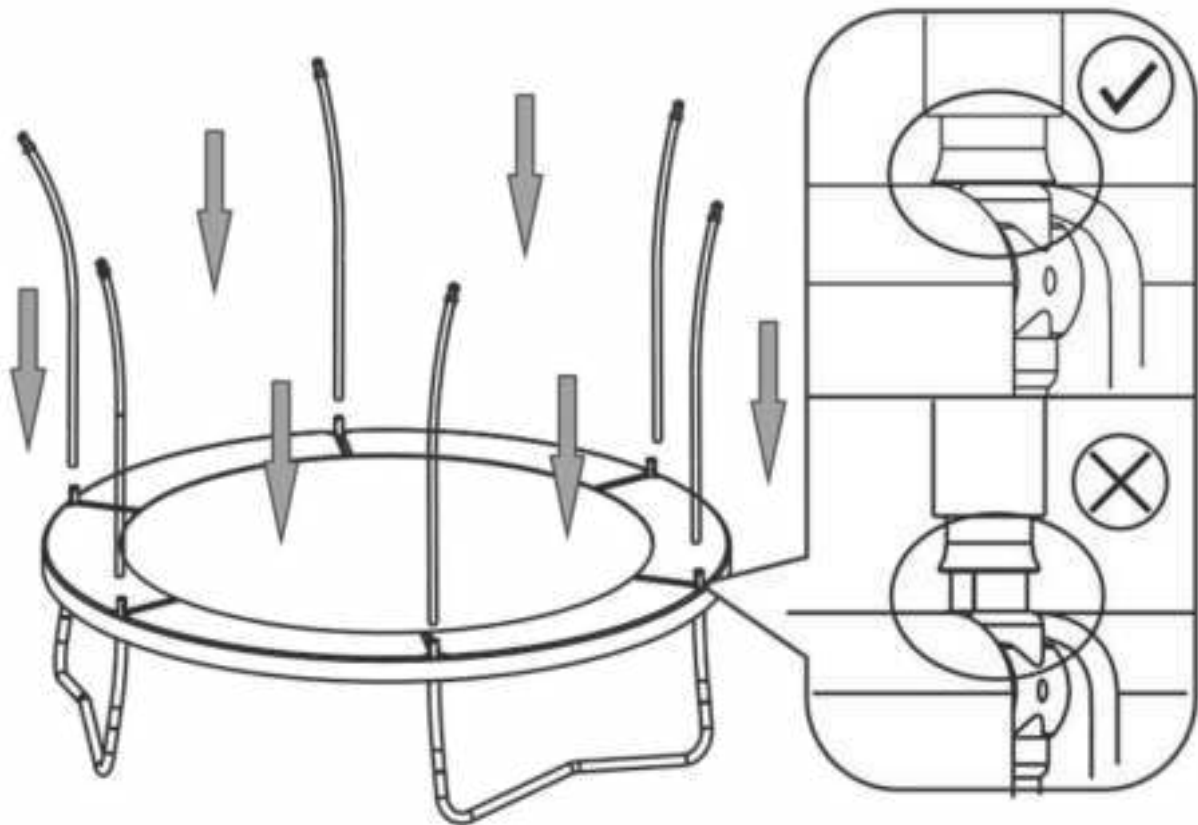
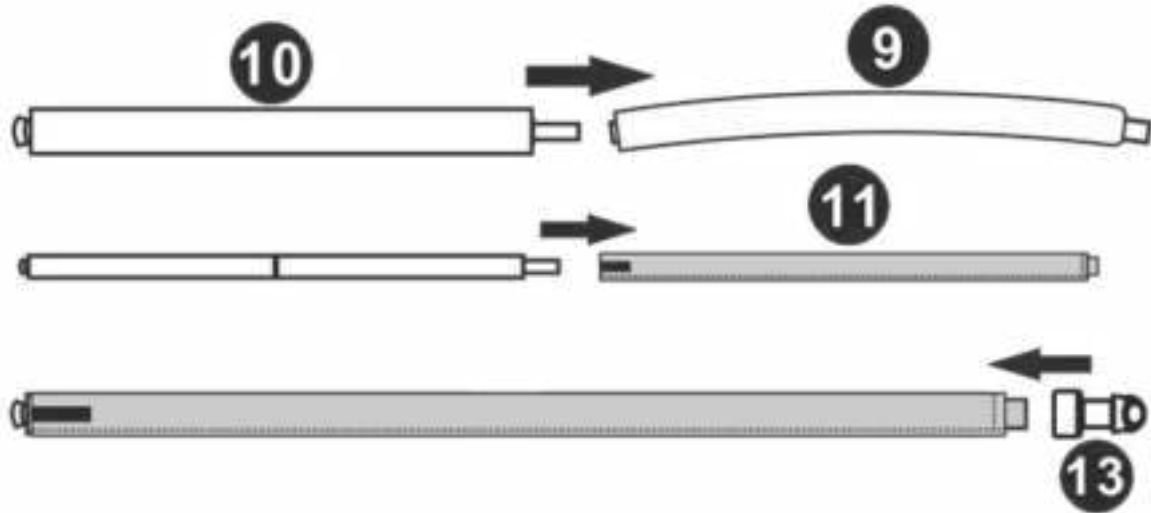
14.  **12' 13' 14' X8**
6' 8' 10' X6



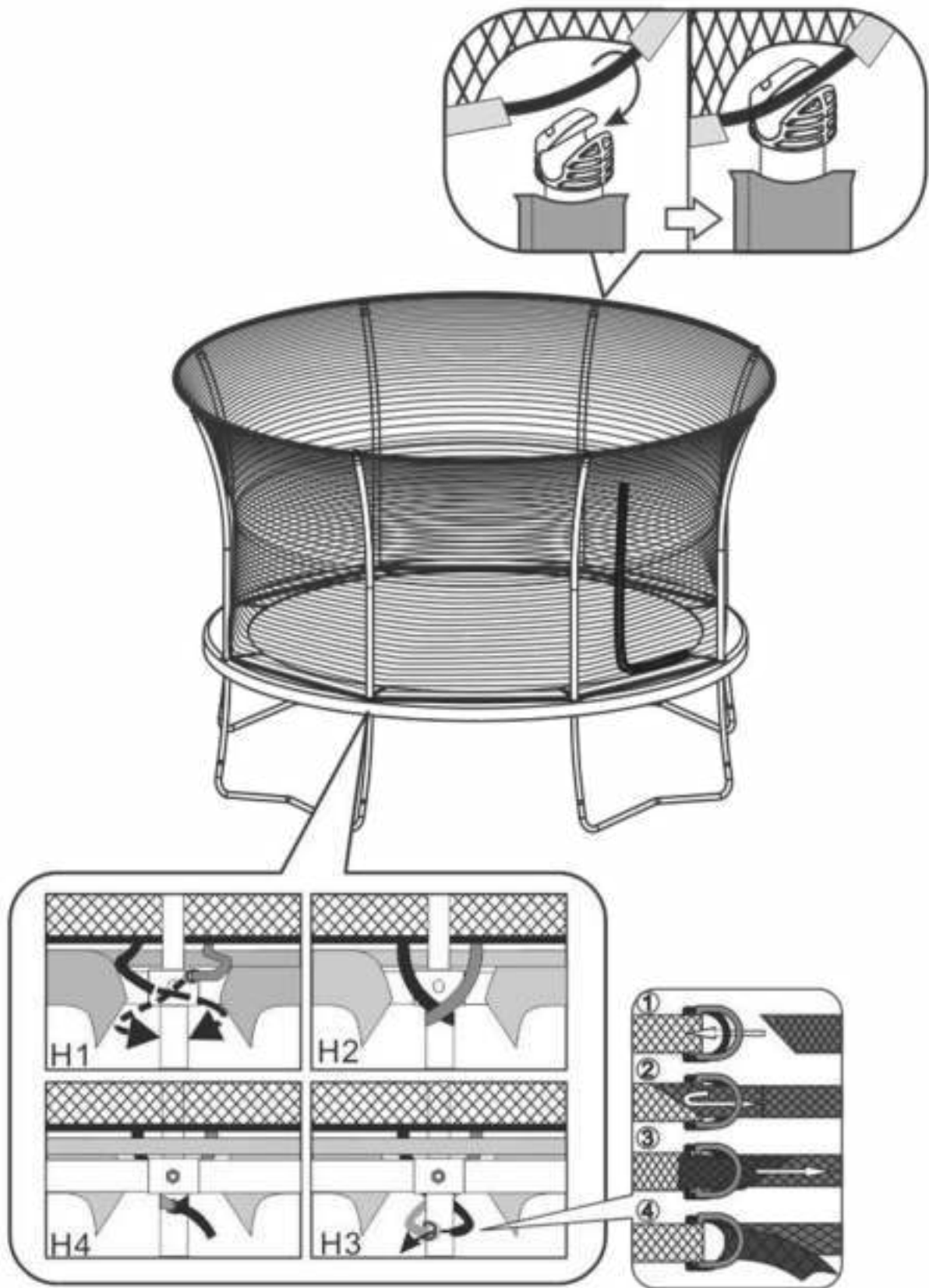
6' 8' 10' 12' 13' 14'



6' 8' 10' 12' 13' 14'



6' 8' 10' 12' 13' 14'





PRAGMA BRANDS

AXI

Premium brand with high quality wooden playhouses, play sets, swings, furniture, pet houses and sports games.

STEP2

US based market leader in highest quality roto-moulded plastic toys including sand/water tables, playhouses, furniture and creative play.

BACKYARD DISCOVERY

US based market leader in high quality wooden playhouses, play sets, sheds and garden accessories.

SUNNY

Mainstream indoor and outdoor toys such as teepee tents, easels, kitchens and sand pits.

COUGAR

Table games for indoor fun with football tables, air hockey tables, pool tables and multi-purpose tables.

SAFETY SAM

He is known as Safety Sam, Victor Veilig, Benni Brems and Simon Sikker. This brand is specifically directed towards the safety of children playing outside using localized names for more local awareness.





TRAMPOLINE & ENCLOSURE COMBO



A Pragma Brand

AXI is one of our brands with awesome products of great quality, that offers hours of active fun!

Pragma

Kruisboog 40
3905 TG Veenendaal
Netherlands
T: +31 (0)318 - 57 88 00
info@pragma-trading.com
www.pragma-trading.com

211217BVG

BY PRAGMA