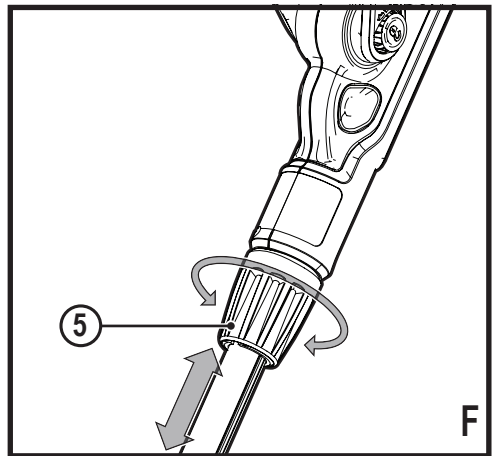
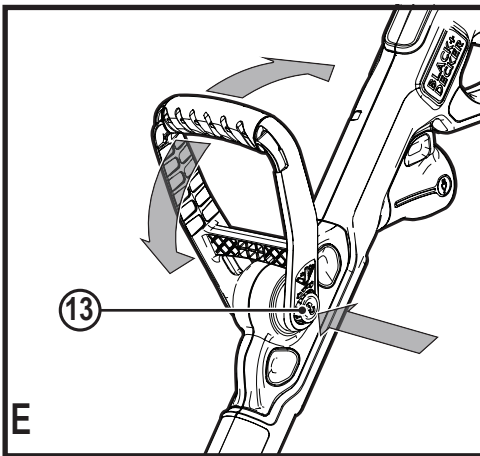
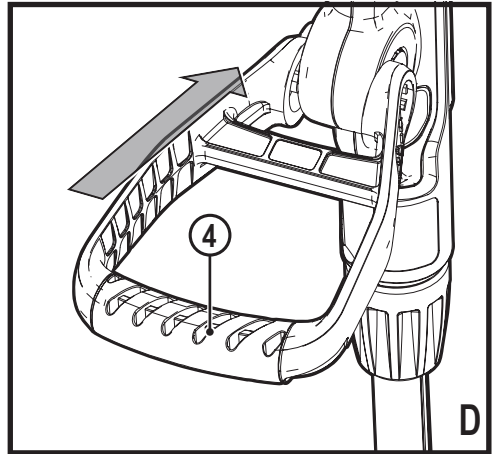
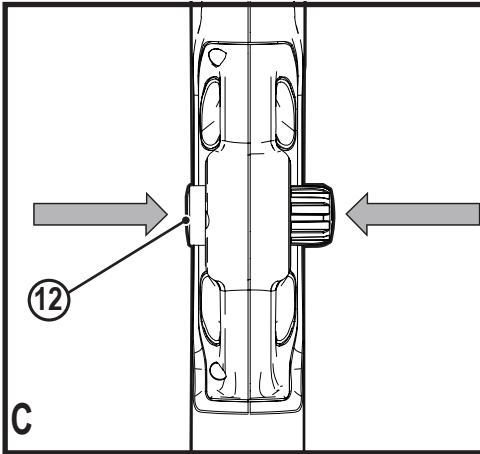
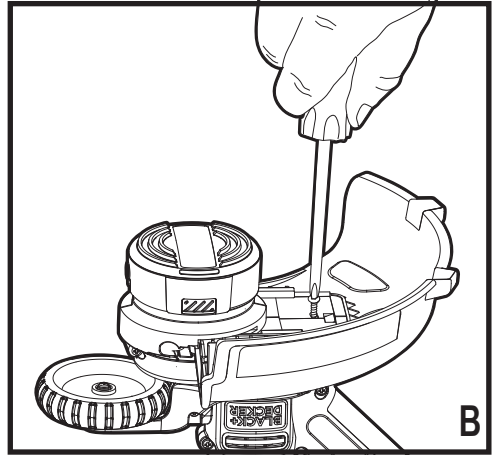
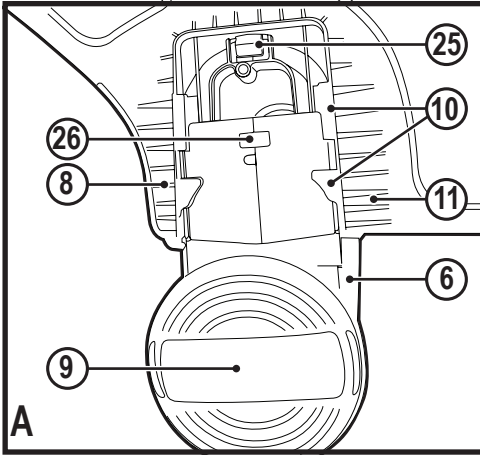
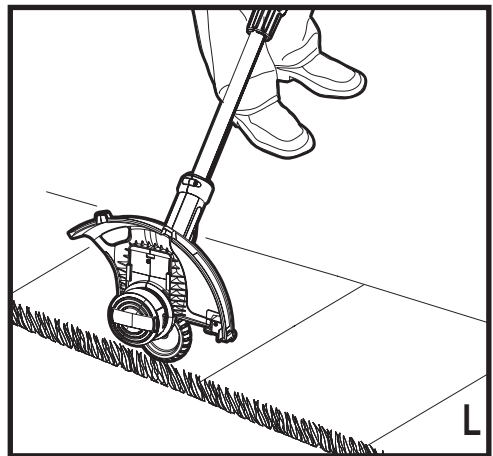
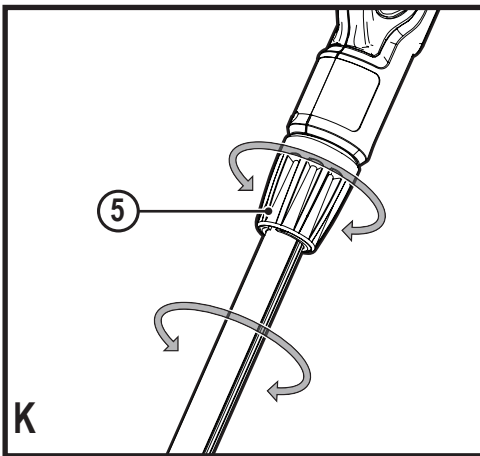
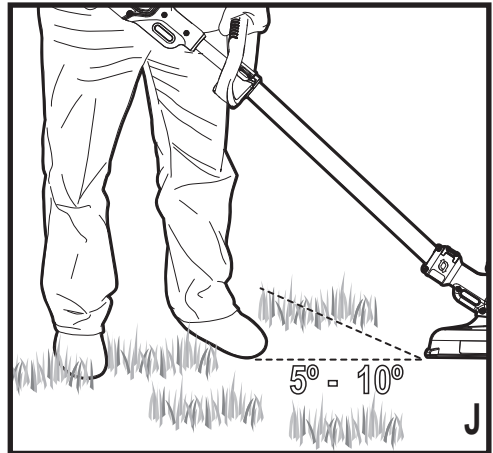
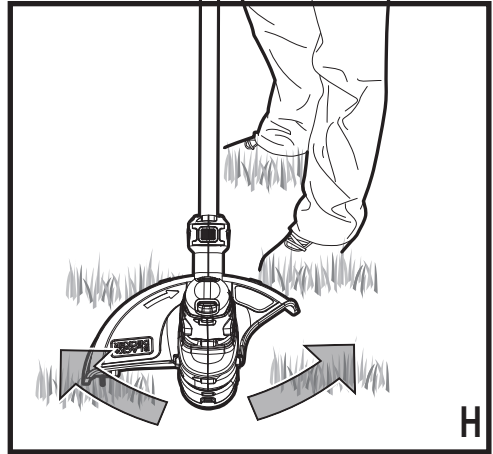
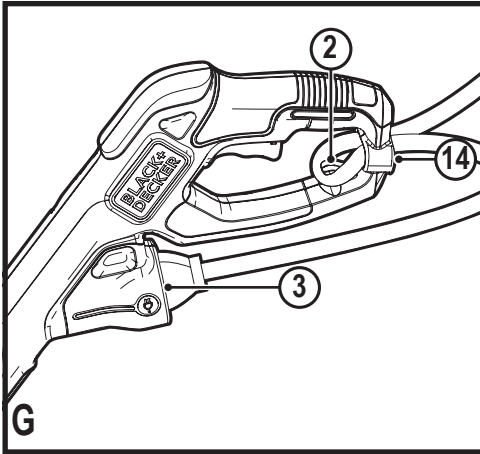
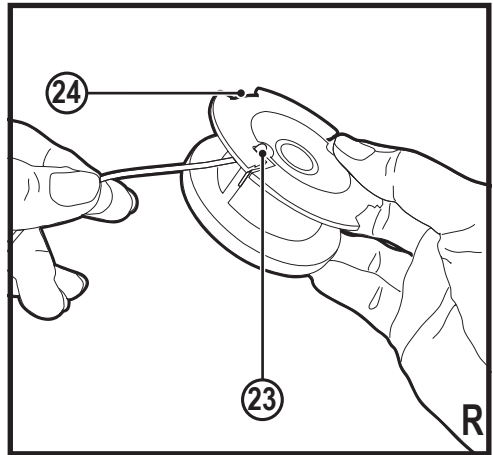
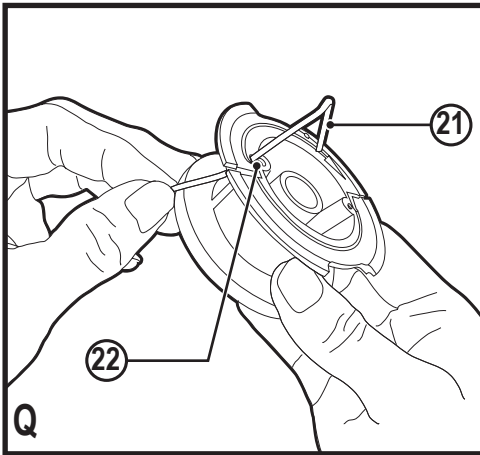
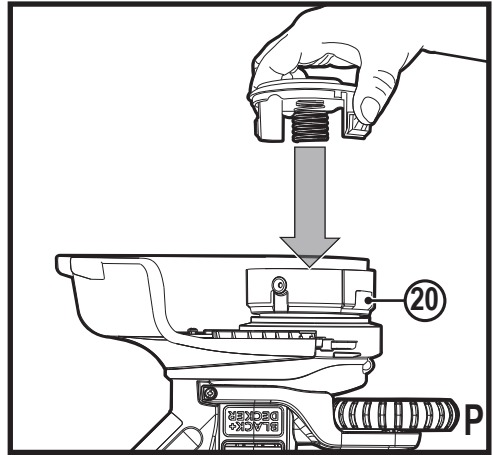
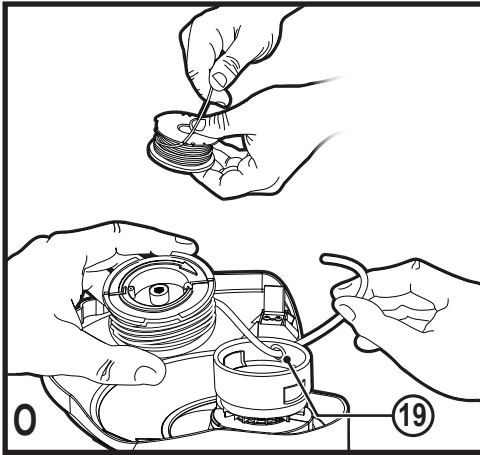
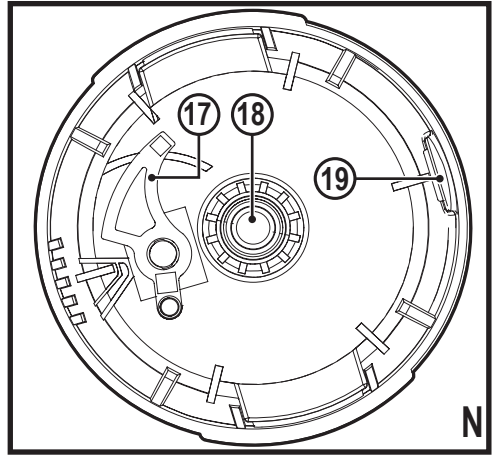
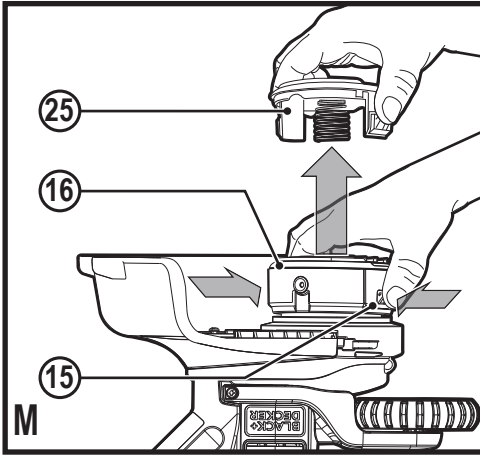


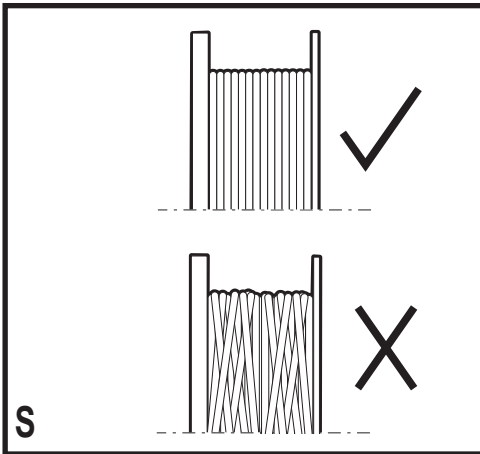
[www.blackanddecker.eu](http://www.blackanddecker.eu)

**BESTA525**  
**BESTA528**  
**BESTA530**









operation with this machine other than those recommended in this instruction manual may present a risk of personal injury.

- ◆ Retain this manual for future reference.

## Using your machine

Always take care when using the machine.

- ◆ Always use safety glasses or goggles.
- ◆ Never allow children or people unfamiliar with the instructions to use the machine.
- ◆ Never operate the machine while people, especially **children**, or pets are nearby.
- ◆ Close supervision is necessary when the machine is used near children.
- ◆ This machine is not intended for use by young or infirm persons without supervision.
- ◆ This machine is not to be used as a toy.
- ◆ Only use the machine in daylight or good artificial light.
- ◆ If the machine starts to vibrate abnormally or if you hit a foreign object, switch the appliance off and remove the plug from the socket. Check for any damage to the appliance, replace or repair any damaged parts, check for and tighten any loose parts.
- ◆ Avoid using the machine in bad weather conditions especially when there is a risk of lightning.

### Intended use

Your BLACK+DECKER BESTA525, BESTA528, BESTA530 trimmers have been designed for trimming and finishing lawn edges and cutting grass in confined spaces. These machines are intended for consumer use only.

## Safety instructions

**Warning!** When using mains-powered machines, basic safety precautions, including the following, should always be followed to reduce the risk of fire, electric shock, personal injury and material damage.

**Warning!** When using the machine the safety rules must be followed.

For your own safety and bystanders please read these instructions before operating the machine.

Please keep the instructions safe for later use.

- ◆ Read all of this manual carefully before operating the machine.
- ◆ The intended use is described in this manual.
- ◆ The use of any accessory or attachment or the performance of any

- ◆ Use in a dry location only. Do not allow the machine to become wet.
- ◆ Do not immerse the machine in water.
- ◆ Do not open the body casing. There are not user-serviceable parts inside.
- ◆ Do not operate the machine in explosive atmospheres, such as in the presence of flammable liquids, gases or dust.
- ◆ To reduce the risk of damage to plugs or cords, never pull the cable to remove the plug from a socket.
- ◆ Injuries caused by touching any rotating/moving parts.
- ◆ Injuries caused when changing any parts, blades or accessories.
- ◆ Injuries caused by prolonged use of a tool.  
When using any tool for prolonged periods ensure you take regular breaks.
- ◆ Impairment of hearing.
- ◆ Health hazards caused by breathing dust developed when using your tool (example:- working with wood, especially oak, beech and MDF).

## Safety of others

- ◆ Never allow **children**, persons with reduced physical, sensory or mental capabilities or lack of experience and knowledge or people unfamiliar with these instructions to use the machine, local regulations may restrict the age of the operator.
- ◆ Children shall not play with the machine.
- ◆ Cleaning and user maintenance shall not be made by children without supervision.

## Residual risks

Additional residual risks may arise when using the tool which may not be included in the enclosed safety warnings. These risks can arise from misuse, prolonged use etc.

Even with the application of the relevant safety regulations and the implementation of safety devices, certain residual risks can not be avoided. These include:

## Vibration

The declared vibration emission values stated in the technical data and the declaration of conformity have been measured in accordance with a standard test method provided by EN50636 and may be used for comparing one tool with another. The declared vibration emission value may also be used in a preliminary assessment of exposure.

**Warning!** The vibration emission value during actual use of the power tool can differ from the declared value depending on the ways in which the tool is used. The vibration level may increase above the level stated.

When assessing vibration exposure to determine safety measures required by 2002/44/EC to protect persons regularly using power tools in employment, an estimation of vibration exposure should consider, the actual conditions of use and

the way the tool is used, including taking account of all parts of the operating cycle such as the times when the tool is switched off and when it is running idle in addition to the trigger time.

## After use

- ◆ When not in use, the machine should be stored in a dry, well ventilated place out of reach of children.
- ◆ Children should not have access to stored machines.
- ◆ When the machine is stored or transported in a vehicle it should be placed in the boot or restrained to prevent movement following sudden changes in speed or direction.

## Inspection and repairs

- ◆ Before use, check the machine for damaged or defective parts. Check for breakage of parts and any other conditions that may affect its operation.
- ◆ Do not use the machine if any part is damaged or defective.
- ◆ Have any damaged or defective parts repaired or replaced by an authorised repair agent.
- ◆ Never attempt to remove or replace any parts other than those specified in this manual.

## Additional safety instructions for grass trimmers

**Warning!** Cutting elements continue to rotate after the motor is switched off.

- ◆ Be familiar with the controls and the proper use of the machine.
- ◆ Before use, check the power supply cord and extension cord for signs of damage, ageing and wear.  
If a cord becomes damaged during use, disconnect the cord from the mains supply immediately. **DO NOT TOUCH THE CORD BEFORE DISCONNECTING THE SUPPLY.**
- ◆ Do not use the machine if the cords are damaged or worn.
- ◆ Before using the machine and after any impact, check for signs of wear or damage and repair as necessary.
- ◆ Always ensure that the ventilation slots are kept clear of debris.
- ◆ Wear stout shoes or boots to protect your feet.
- ◆ Wear long trousers to protect your legs.
- ◆ Before using the machine, check that your cutting path is free from sticks, stones, wire and any other obstacles.
- ◆ Only use the machine in the upright position, with the cutting line near the ground. Never switch the machine on in any other position.
- ◆ Do not overreach and to keep your balance at all times. Always be sure of your footing on slopes and walk, never run.
- ◆ Do not work on steep slopes. Work across the face of slopes, not up and down.
- ◆ Move slowly when using the machine. Be aware that freshly cut grass is damp and slippery.

- ◆ Never cross gravel paths or roads while the machine is running.
- ◆ Do not touch moving hazardous parts before the machine is disconnected from the mains and the moving hazardous parts have come to a complete stop.
- ◆ Never touch the cutting line while the machine is running.
- ◆ Do not put the machine down until the cutting line has come to a complete standstill.
- ◆ Use only the appropriate type of cutting line. Never use metal cutting line or fishing line.
- ◆ Be careful not to touch the line trimming blade.
- ◆ Take care to keep the mains cable away from the cutting line. Always be aware of the position of the cable.
- ◆ Keep hands and feet away from the cutting line at all times, especially when switching on the motor.
- ◆ Never operate the machine with damaged guards or without guards in place.
- ◆ Take care against injury from any device fitted for trimming the filament line length. After extending new cutter line always return the machine to its normal operating position before switching on.
- ◆ Do not use the lawn trimmer (edge trimmer), if the cords are damaged or worn.

- ◆ Keep extension cords away from cutting elements.

## Electrical safety



- This machine is double insulated; therefore no earth wire is required. Always check that the power supply corresponds to the voltage on the rating plate.
- ◆ If the supply cord is damaged, it must be replaced by the manufacturer or an authorised BLACK+DECKER Service Centre in order to avoid a hazard.
  - ◆ Electric safety can be further improved by using a high sensitivity 30 mA Residual Current Device (RCD).

## Using an extension cable

Always use an approved extension cable suitable for the power input of this tool (see technical data). The extension cable must be suitable for outdoor use and marked accordingly. Up to 30 m of 1.5 mm<sup>2</sup> HO5VV-F extension cable can be used without loss of product performance. Before use, inspect the extension cable for signs of damage, wear and ageing. Replace the extension cable if damaged or defective. When using a cable reel, always unwind the cable completely.

### Labels on machine

The following warning symbols are found on the machine along with the date code:



**Warning!** Read the manual prior to operation.





Wear safety glasses or goggles when operating this machine.



Wear suitable ear protection when operating this machine.



Always remove the plug from the socket before inspecting a damaged cable. Be careful not to use your strimmer if the cable is damaged.



Beware of flying objects. Keep bystanders away from the cutting area.



Do not expose the machine to rain or high humidity.



Directive 2000/14/EC guaranteed sound power.

## Features

This machine includes some or all of the following features.

1. On/off switch
2. Cord retainer
3. Power cord plug
4. Auxiliary handle
5. Collar
6. Motor housing
7. Edge guide wheel (BESTA528 and BESTA530 only)
8. Guard
9. Spool

## Assembly

**Warning!** Before assembly, make sure that the tool is switched off and unplugged.

### Fitting the guard (fig. A & B)

- ◆ Turn the trimmer upside down so that you are looking down at the spool (9).
- ◆ Remove the screw from the guard with a phillips screwdriver (not supplied).
- ◆ Turn the guard (8) upside down and slide it fully onto the motor housing (6). Make sure the tabs (10) on the guard engage the ribs (11) on the motor housing as shown in Fig. A. The locking tab (25) should have snapped into the housing slot (26).
- ◆ Continue to slide the guard on until you hear it "snap" into place.
- ◆ Insert the guard screw and tighten securely as shown in Fig. B to complete the guard assembly.
- ◆ Once the guard is installed, remove the covering from the line cut-off blade, located on the edge of the guard.

**Warning!** Never use the tool unless the guard is properly fitted and firmly in place.

### Attaching the auxiliary handle (Fig. C, D, E)

- ◆ To attach the handle (4), press in on the buttons (12) on both sides of the upper housing as shown in Fig. C.
- ◆ Position the handle as shown in Fig. D, matching up the grooved side of the handle with the grooved button. Partially push the handle on so that it will hold the buttons in when you release them with your hand.
- ◆ Push the handle completely onto the housing and position it slightly until it "snaps" into place (Fig. E).
- ◆ To adjust the handle up or down, press in on the button (13) and raise or lower the handle.
- ◆ The handle should be adjusted so that your front arm is straight when the trimmer is in the working position.

### Height adjustment (Fig. F)

- ◆ The overall height of the trimmer can be adjusted by loosening the collar (5) and rotating it in the direction of the arrow shown in Fig. G.
- ◆ Move the upper housing straight up or down. When the desired height is achieved, tighten the collar by rotating it opposite of the direction shown in Fig. F.

### Attaching extension cord (Fig. G)

An extension cord retainer (2) is built into the switch handle that prevents the cord from coming unplugged.

- ◆ To use this feature, simply double the extension cord about 203mm from the end, and insert it into the slot (14) in the end of the handle area as shown in Fig. G.
- ◆ Hook the loop formed by doubling the cord over the tab (2). Gently tug on the cord to insure that it is firmly retained in the trimmer's handle.
- ◆ Plug the receptacle end of the extension cord into the power cord plug (3) in the trimmer.

### Releasing the cutting line

In transit, the cutting line is taped to the spool housing.

**Warning!** Before assembly, disconnect from the power supply.

- ◆ Remove the tape holding the cutting line to the spool housing.
- ◆ See "Replacing the Spool" for instructions for removing the spool.

### Correct hand position

Proper hand position requires one hand on the main handle and one hand on the auxiliary handle (4).

### Switching on and off

To switch the trimmer on, squeeze the trigger switch (1). To switch the trimmer off, release the trigger switch.

### Operating the trimmer

- ◆ With the unit on, angle slowly swing the trimmer side to side as shown in Fig. H.

- ◆ Maintain a cutting angle of 5° to 10° as shown in Fig. J. Do not exceed 10° (Fig. J). Cut with the tip of the line. To keep distance from hard surfaces use edge wheel (7).
- ◆ Maintain a minimum distance of 600mm between the guard and your feet as shown in Fig. I. To achieve this distance adjust the overall height of the trimmer as shown in Fig. F.

### Convert to edging mode (Fig. K)

The trimmer can be used in trimming mode or edging mode to trim overhanging grass along lawn edges and flower beds.

**Warning!** Disconnect the plug from the power source before making any adjustments.

**Warning!** When being used as an Edger, stones, pieces of metal and other objects can be thrown out at high speed by the line. The trimmer and guard are designed to reduce the danger. However, **MAKE SURE** that other persons and pets are at least 30m away.

- ◆ To operate as a maintenance edger, turn the collar ( 5 ) as shown in Fig. K.
- ◆ Hold the metal shaft and rotate the lower housing 180° as shown in Fig. K.
- ◆ Turn the collar back until tight.

**Note:** The metal shaft and housing will only rotate in one direction.

- ◆ To return to the trimming position, loosen the lock collar and rotate the lower housing back 180° and retightening the collar.

### Edging (Fig. L)

Optimum cutting results are achieved on edges deeper than 50 mm. Do not use this trimmer to create trenches.

- ◆ Using the edging wheel (7), or the wire guard, guide the trimmer as shown in Fig. L.
- ◆ Position the edging wheel on the edge of the pavement or abrasive surface so the cutting line is over the grass or dirt area to be edged.

**Note:** The Auto Feed System may not operate correctly if wheeled edge guide is not used.

**Note:** You will experience faster than normal cutting line wear if the edging wheel is positioned too far from the edge with the cutting line positioned over the pavement or abrasive surface.

- ◆ To make a closer cut, slightly tilt the trimmer.
- ◆ Return to the trimming position by loosening the lock collar and rotating the lower housing back 180°. The tool will lock in the trimmer position.

### Cutting Line / Line Feeding

Your trimmer uses 1.65 mm diameter, ROUND nylon line.

During use, the tips of the nylon lines will become frayed and worn and the special self feeding spool will automatically feed and trim a fresh length of line. Cutting line will wear faster and

require more feeding if the cutting or edging is done along pavements or other abrasive surfaces or heavier weeds are being cut. The advanced automatic line feeding mechanism senses when more cutting line is needed and feeds and trims the correct length of line whenever it's required. Do not bump trimmer on ground in attempt to feed line or for any other purposes.

### Helpful Cutting Tips

- ◆ Use the tip of the string to do the cutting; do not force string head into uncut grass.
- ◆ Wire and fences cause extra string wear, even breakage. Stone and brick walls, curbs, and wood may wear string rapidly.
- ◆ Do not allow spool cap to drag on ground or other surfaces.
- ◆ In long growth, cut from the top down and do not exceed 300 mm high.
- ◆ Keep trimmer tilted toward the area being cut; this is the best cutting area.
- ◆ The trimmer cuts when passing the unit from the left to right. This will avoid throwing debris at the operator.
- ◆ Avoid trees and shrubs. Tree bark, wood moldings, siding, and fence posts can easily be damaged by the string.

### Replacing the spool (Fig. M, N, O, P)

**Warning!** To reduce the risk of serious personal injury, turn unit off and disconnect it from power source before making any adjustments or removing/installing attachments or accessories. An accidental start-up can cause injury

- ◆ Depress the tabs (15) and remove the spool cap (25) from the spool housing (16) in the trimmer head (Fig. M).
- ◆ For best results, replace spool with BLACK+DECKER model no. A6481.
- ◆ Grasp empty spool with one hand and spool housing with other hand and pull spool out.
- ◆ If lever (17) (Fig. N) in base of housing becomes dislodged, replace in correct position before inserting new spool into housing.
- ◆ Remove any dirt and grass from the spool and housing.
- ◆ Unfasten the end of the cutting line and guide the line into the eyelet (19) Fig. O.
- ◆ Take the new spool and push it onto the boss (18) in the housing (Fig. N). Rotate the spool slightly until it is seated. The line should protrude approximately 136mm from the housing.
- ◆ Align the tabs on the spool cap with the slots (20) in the housing (Fig. P).
- ◆ Push the cap onto the housing until it snaps securely into place.

**Warning!** To avoid trimmer damage, if the cutting line protrudes beyond the trimming blade, cut it off so that it just reaches the blade.

## Rewinding spool from bulk line (Fig. Q, R, S)

Replacement spools of cutting line are available from your BLACK+DECKER dealer. Packs containing 3 spools of cutting line are also available.

- ◆ Unplug the tool.
- ◆ Remove the empty spool from the trimmer as described in "REPLACING THE SPOOL".
- ◆ Remove any remaining cutting line from the spool.
- ◆ Make a fold at the end of the cutting line at about 19mm (21). Feed the cutting line into one of the line anchoring slots (22) as shown in Fig. Q.

**Note:** Take care not to allow the the line on the spool to unravel. Hold it firmly with one hand at all times.

- ◆ Insert the 19mm end of the bulk line into the hole (23) in the spool adjacent to the slot as shown in Fig. R. Make sure the line is pulled tight against the spool as shown in Fig. S.
- ◆ Wind the cutting line onto the spool in the direction of the arrow on the spool. Make sure to wind the line on neatly and in layers. Do not crisscross (Fig. S).
- ◆ When the wound cutting line reaches the recesses (24), cut the line. (Fig. R).
- ◆ Fit the spool onto the trimmer as described in "REPLACING THE SPOOL".

**Warning!** Before you begin trimming, only use the appropriate type of cutting line.

## Mains plug replacement (U.K. & Ireland only)

If a new mains plug needs to be fitted:

- ◆ Safely dispose of the old plug.
- ◆ Connect the brown lead to the live terminal in the new plug.
- ◆ Connect the blue lead to the neutral terminal.

**Warning!** No connection is to be made to the earth terminal. Follow the fitting instructions supplied with good quality plugs. Recommended fuse: 13 A.

## Troubleshooting

If your tool seems not to operate properly, follow the instructions below. If this does not solve the problem, please contact your local BLACK+DECKER repair agent.

**Warning!** Before proceeding, unplug the tool.

### Machine runs slowly

- ◆ Check that the spool housing can rotate freely. Carefully clean it if necessary.
- ◆ Check that the cutting line does not protrude more than approximately 136mm from the spool. If it does, cut it off so that it just reaches the line trimming blade.

### Automatic line feed does not work

- ◆ Remove the spool cap.

- ◆ Pull the cutting line until it protrudes approximately 136mm from the spool. If insufficient cutting line is left on the spool, install a new spool of cutting line.
- ◆ Ensure that the line is not crisscrossed on the spool as detailed in Fig. S. If it is, unwind the cutting line, then wind it back on the spool neatly so that the lines do not cross.
- ◆ Ensure the beginning of the cutting line is pulled tight against the spool as shown in Fig. S.
- ◆ Align the tabs on the spool cap with the cut outs in the housing.
- ◆ Push the spool cap onto the housing until it snaps securely into place.
- ◆ If the cutting line protrudes beyond the trimming blade, cut it off so that it just reaches the blade. If the automatic line feed still does not work or the spool is jammed, try the following suggestions:
  - ◆ Carefully clean the spool and housing.
  - ◆ Remove the spool and check if the lever in the spool housing can move freely.
  - ◆ Remove the spool and unwind the cutting line, then wind it on neatly again. Replace the spool into the housing.

## Maintenance

Your BLACK+DECKER corded/cordless machine/tool has been designed to operate over a long period of time with a minimum of maintenance. Continuous satisfactory operation depends upon proper tool/machine care and regular cleaning. Your charger does not require any maintenance apart from regular cleaning.

**Warning!** Before performing any maintenance on corded/cordless power tools:

- ◆ Switch off and unplug the machine/tool.
- ◆ Or switch off and remove the battery from the machine/tool if the machine/tool has a separate battery pack.
- ◆ Or run the battery down completely if it is integral and then switch off.
- ◆ Unplug the charger before cleaning it. Your charger does not require any maintenance apart from regular cleaning.
- ◆ Regularly clean the ventilation slots in your tool/machine and charger using a soft brush or dry cloth.
- ◆ Regularly clean the motor housing using a damp cloth. Do not use any abrasive or solvent-based cleaner.
- ◆ Regularly clean the cutting line and spool using a soft brush or dry cloth.
- ◆ Regularly use a blunt scraper to remove grass and dirt from the underneath of the guard.

## Protecting the environment



Separate collection. Products and batteries marked with this symbol must not be disposed of with normal household waste

Products and batteries contain materials that can be recovered or recycled reducing the demand for raw materials. Please recycle electrical products and batteries according to local provisions. Further information is available at [www.2helpU.com](http://www.2helpU.com)

## Technical data

		BESTA525 Type 1	BESTA528 Type 1	BESTA530 Type 1
Voltage	$V_{AC}$	230	230	230
Power Input	W	450	550	550
No-Load Speed	$\text{min}^{-1}$	7500	7500	7500
Weight	kg	2.4	2.4	2.4

### Level of sound pressure:

Sound pressure ( $L_{pA}$ ) 81 dB(A), uncertainty (K) 3 dB(A)

Sound power ( $L_{WA}$ ) 93 dB(A), uncertainty (K) 2.6 dB(A)

### Vibration total values (triax vector sum) according to EN 50636-2-91:

Vibration emission value ( $a_w$ ) 4.9  $\text{m/s}^2$ , uncertainty (K) 1.7  $\text{m/s}^2$

## EC declaration of conformity

MACHINERY DIRECTIVE  
OUTDOOR NOISE DIRECTIVE



BESTA525, BESTA528, BESTA530 - Trimmer

Black & Decker declares that these products described under

“technical data” are in compliance with:

2006/42/EC, EN60335-1:2012 +A11:2014,

EN 50636-2-91:2014

2000/14/EC, Lawn Trimmer,  $L \leq 50$  cm, Annex VI  
DEKRA Certification B.V. Meander 1051 / P.O. Box 5185  
6825 MJ ARNHEM / 6802 ED ARNHEM, Netherlands  
Notified Body ID No.: 0344

Level of acoustic power according to 2000/14/EC

(Article 12, Annex III,  $L \leq 50$  cm):

$L_{WA}$  (measured sound power) 93 dB(A)

Uncertainty = 3 dB(A)

$L_{WA}$  (guaranteed sound power) 96 dB(A)

These products also comply with Directive 2014/30/EU and 2011/65/EU. For more information, please contact Black & Decker at the following address or refer to the back of the manual.

The undersigned is responsible for compilation of the technical file and makes this declaration on behalf of Black & Decker.

R. Laverick  
Director of Engineering  
Black & Decker Europe, 210 Bath Road, Slough,  
Berkshire, SL1 3YD  
United Kingdom  
14/12/2017

## Guarantee

Black & Decker is confident of the quality of its products and offers consumers a 24 month guarantee from the date of purchase. This guarantee is in addition to and in no way prejudices your statutory rights. The guarantee is valid within the territories of the Member States of the European Union and the European Free Trade Area.

To claim on the guarantee, the claim must be in accordance with Black & Decker Terms and Conditions and you will need to submit proof of purchase to the seller or an authorised repair agent. Terms and conditions of the Black & Decker 2 year guarantee and the location of your nearest authorised repair agent can be obtained on the Internet at [www.2helpU.com](http://www.2helpU.com), or by contacting your local Black & Decker office at the address indicated in this manual:

Please visit our website [www.blackanddecker.co.uk](http://www.blackanddecker.co.uk) to register your new BLACK+DECKER product and receive updates on new products and special offers.

## Verwendungszweck

Ihr BLACK+DECKER Rasentrimmer BESTA525, BESTA528, BESTA530 wurde für das Trimmen und Zuschneiden von Rasenkanten sowie für das Schneiden von Gras in beengten Platzverhältnissen entwickelt. Diese Geräte sind nicht für den gewerblichen Einsatz vorgesehen.

## Sicherheitshinweise

**Warnung!** Beachten Sie beim Umgang mit netzstrombetriebenen Geräten stets die grundlegenden Sicherheitshinweise, die im Folgenden beschrieben werden. Dadurch verhindern Sie Brände, Stromschläge sowie Sach- und Personenschäden.

**Warnung!** Beachten Sie beim Verwenden des Geräts unbedingt die Sicherheitsregeln. Lesen Sie zu Ihrer eigenen Sicherheit und zum Schutz in der Nähe befindlicher Personen vor Gebrauch des Geräts die folgende Bedienungsanleitung. Heben Sie diese Anleitung zur späteren Verwendung gut auf.

- ◆ Lesen Sie das gesamte Handbuch sorgfältig durch, bevor Sie das Gerät benutzen.
- ◆ Der vorgesehene Verwendungszweck ist in dieser Anleitung beschrieben.
- ◆ Bei Verwendung von Zubehör oder Anbauteilen, die nicht in dieser Anleitung empfohlen werden, sowie bei der Verwendung des Geräts in Abweichung von den in dieser Anleitung beschriebenen Verfahren besteht Verletzungsgefahr.
- ◆ Bewahren Sie diese Anleitung auf.

## Verwendung des Geräts

Verwenden Sie das Gerät stets mit Umsicht.

- ◆ Tragen Sie stets eine Schutzbrille.
- ◆ Das Gerät darf nicht von Kindern und Personen genutzt werden, die die vorliegenden Anleitungen nicht gelesen haben.
- ◆ Es sollte stets ein Sicherheitsabstand zu anderen Personen, insbesondere **Kindern**, und Haustieren eingehalten werden.
- ◆ Seien Sie besonders vorsichtig, wenn Sie das Gerät in der Nähe von Kindern verwenden.
- ◆ Das Gerät ist nicht für die unbeaufsichtigte Verwendung durch Kinder oder gebrechliche Personen vorgesehen.
- ◆ Das Gerät ist kein Spielzeug.
- ◆ Betreiben Sie das Gerät nur bei Tageslicht oder bei ausreichender Beleuchtung.
- ◆ Verwenden Sie das Gerät nicht bei widrigen Wetterbedingungen, insbesondere nicht bei Gefahr von Gewittern.
- ◆ Wenn das Gerät ungewöhnlich vibriert oder mit einem Fremdkörper in Berührung gekommen ist, schalten Sie das Gerät aus, und trennen Sie es von der Stromversorgung. Kontrollieren Sie das Gerät auf Beschädigungen, ersetzen bzw. reparieren Sie beschädigte Teile, kontrollieren Sie, ob lose Teile vorhanden sind, und ziehen Sie diese ggf. fest.

- ◆ Verwenden Sie das Gerät nur in trockener Umgebung. Achten Sie darauf, dass das Gerät nicht nass wird.
- ◆ Tauchen Sie das Gerät nicht in Wasser.
- ◆ Versuchen Sie nicht, das Gehäuse zu öffnen. Im Inneren befinden sich keine zu wartenden Teile.
- ◆ Betreiben Sie das Gerät nicht in explosionsgefährdeter Umgebung, in der sich brennbare Flüssigkeiten, Gase oder Staub befinden.
- ◆ Ziehen Sie niemals am Kabel, wenn Sie den Stecker aus der Steckdose ziehen möchten. Kabel und Stecker könnten sonst beschädigt werden.

## Sicherheit anderer Personen

- ◆ Lassen Sie diese Maschine niemals von Kindern, Personen mit eingeschränkten körperlichen, sensorischen oder geistigen Fähigkeiten oder mangelnder Erfahrung und Wissen in Bezug auf diese Anweisungen bedienen; örtliche Bestimmungen können das Alter des Benutzers einschränken.
- ◆ Kinder dürfen nicht mit dem Gerät spielen.
- ◆ Reinigung und Wartungsarbeiten dürfen von Kindern nur unter Aufsicht durchgeführt werden.

## Restrisiken

Beim Gebrauch dieses Geräts verbleiben zusätzliche Restrisiken,

die möglicherweise nicht in den Sicherheitswarnungen genannt werden. Diese Risiken bestehen beispielsweise bei Missbrauch oder längerem Gebrauch. Auch bei der Einhaltung der entsprechenden Sicherheitsvorschriften und der Verwendung aller Sicherheitsgeräte bestehen weiterhin bestimmte Restrisiken. Diese sind:

- ◆ Verletzungen, die durch das Berühren von sich drehenden/bewegenden Teilen verursacht werden.
- ◆ Verletzungen, die durch das Austauschen von Teilen, Messern oder Zubehör verursacht werden.
- ◆ Der längere Gebrauch eines Geräts kann Verletzungen zur Folge haben.
- ◆ Legen Sie bei längerem Gebrauch regelmäßige Pausen ein.
- ◆ Schwerhörigkeit.
- ◆ Gesundheitsrisiken durch das Einatmen von Staub beim Verwenden des Geräts (beispielsweise bei Holzarbeiten, insbesondere Eiche, Buche und MDF).

## Vibration

Die in den Abschnitten "Technische Daten" und "EU-Konformitätserklärung" angegebenen Werte für die Vibrationsemission wurden mit einer Standard-Prüfmethode nach EN50636 ermittelt und können zum Vergleich verschiedener Geräte herangezogen werden. Außerdem kann mit Hilfe dieses Werts die Belastung bei Verwendung des Geräts schon im Voraus eingeschätzt werden.

**Warnung!** Die bei Verwendung des Geräts auftretende Vibrationsemission hängt von der Art des Gerätegebrauchs ab und kann dementsprechend von dem angegebenen Wert abweichen. Gegebenenfalls kann die Vibration über dem angegebenen Wert liegen.

Für die Ermittlung der Vibrationsbelastung müssen die tatsächlichen Einsatzbedingungen und Verwendungen des Geräts während des gesamten Arbeitsgangs berücksichtigt werden, einschließlich der Zeiten, wenn das Gerät nicht verwendet oder im Leerlauf betrieben wird. Diese Werte werden benötigt, um die gemäß 2002/44/EG erforderlichen Sicherheitsmaßnahmen zum Schutz von Personen festlegen zu können.

## Nach dem Gebrauch

- ◆ Bewahren Sie das Gerät bei Nichtgebrauch an einem trockenen, gut belüfteten Ort außerhalb der Reichweite von Kindern auf.
- ◆ Kinder sollten keinen Zugang zu aufbewahrten Geräten haben.
- ◆ Wenn das Gerät in einem Fahrzeug transportiert oder gelagert wird, bewahren Sie es im Kofferraum oder einer geeigneten Ablage auf, damit es bei plötzlichen Geschwindigkeits- oder Richtungsänderungen nicht in Bewegung geraten kann.

## Inspektion und Reparaturen

- ◆ Prüfen Sie das Gerät vor der Verwendung auf beschädigte oder defekte Teile. Prüfen Sie, ob Teile beschädigt sind oder andere Bedingungen vorliegen, die die Funktion beeinträchtigen können.
- ◆ Betreiben Sie das Gerät nicht, wenn Teile beschädigt oder defekt sind.
- ◆ Lassen Sie beschädigte oder defekte Teile in einer Vertragswerkstatt reparieren oder austauschen.
- ◆ Ersetzen oder entfernen Sie keine Teile, für die in dieser Anleitung keine entsprechende Beschreibung enthalten ist.

## Zusätzliche Sicherheitshinweise für Rasentrimmer

**Warnung!** Die Schneidevorrichtung rotiert nach Abschalten des Geräts einige Sekunden lang weiter.

- ◆ Machen Sie sich mit den Bedienelementen und dem ordnungsgemäßen Gebrauch des Geräts vertraut.
- ◆ Prüfen Sie vor der Inbetriebnahme Netz- und Verlängerungskabel auf Beschädigungen und Verschleiß. Trennen Sie das Gerät sofort vom Stromnetz, wenn ein Kabel während des Betriebs beschädigt wird. **BERÜHREN SIE DAS KABEL NICHT, SOLANGE DER STECKER NOCH IN DER NETZSTECKDOSE STECKT.**

- ◆ Verwenden Sie das Gerät nicht, wenn die Kabel beschädigt oder abgenutzt sind.
- ◆ Überprüfen Sie das Gerät vor Gebrauch und nach Stößen auf Beschädigungen und Verschleiß, und veranlassen Sie notwendige Reparaturmaßnahmen.
- ◆ Stellen Sie stets sicher, dass die Lüftungsschlitze frei von Verschmutzungen sind.
- ◆ Tragen Sie stabile Schuhe oder Stiefel, um Ihre Füße zu schützen.
- ◆ Tragen Sie lange Hosen, um Ihre Beine zu schützen.
- ◆ Vergewissern Sie sich vor Verwenden des Geräts, dass die zu beschneidende Fläche frei von Ästen, Steinen, Draht und anderen Objekten ist.
- ◆ Verwenden Sie das Gerät ausschließlich in aufrechter Stellung und mit Schneidfaden in Bodennähe. Schalten Sie das Gerät keinesfalls in einer anderen Stellung ein.
- ◆ Achten Sie jederzeit auf einen sicheren Stand und eine sichere Balance. Achten Sie auf Trittsicherheit. Betreiben Sie das Gerät nur im Gehen, nie rennend.
- ◆ Arbeiten Sie nie an steilen Hängen. Schieben Sie das Gerät immer parallel zum Hang, nie den Hang hinauf oder hinunter.
- ◆ Achten Sie bei Verwendung des Geräts auf langsame Bewegungen. Achten Sie darauf, dass frisch gemähtes Gras feucht und rutschig sein kann.
- ◆ Schalten Sie das Gerät vor dem Überqueren von Kieswegen und Straßen aus.
- ◆ Berühren Sie bewegliche gefährliche Teile erst, wenn die Maschine vom Stromnetz getrennt wurde und diese Teile vollständig zum Stillstand gekommen sind.
- ◆ Berühren Sie niemals den Schneidfaden, während sich das Gerät in Betrieb befindet.
- ◆ Warten Sie stets, bis der Schneidfaden vollständig zum Stillstand gekommen ist, bevor Sie das Gerät absetzen.
- ◆ Verwenden Sie ausschließlich geeignete Schneidfäden. Verwenden Sie keinesfalls Schneidfäden aus Metall oder Angelschnur.
- ◆ Berühren Sie auf keinen Fall das Fadenschneidemesser.
- ◆ Achten Sie darauf, dass das Stromkabel nicht in die Nähe des Schneidfadens gerät.
- ◆ Achten Sie stets auf die Lage des Stromkabels.
- ◆ Halten Sie Hände und Füße stets vom Schneidfaden fern, insbesondere beim Einschalten des Geräts.
- ◆ Betreiben Sie keinesfalls das Gerät, wenn die Schutzvorrichtungen beschädigt oder nicht ordnungsgemäß angebracht sind.
- ◆ Schützen Sie sich vor Verletzungen beim Verwenden von Geräten zum Verkürzen des Schneidfadens.



- ◆ Bringen Sie nach Herausziehen des neuen Schneidfadens das Gerät vor dem Einschalten in die normale Betriebsposition.
- ◆ Verwenden Sie den Rasentrimmer (Kantentrimmer) nicht, wenn die Kabel beschädigt oder abgenutzt sind.
- ◆ Halten Sie Verlängerungskabel von der Schneidevorrichtung fern.

## Elektrische Sicherheit



Dieses Gerät ist schutzisoliert, daher ist keine Masseleitung erforderlich. Überprüfen Sie immer, dass die Stromversorgung der Spannung auf dem Typenschild entspricht.

- ◆ Bei einer Beschädigung des Netzkabels muss dieses durch den Hersteller oder eine BLACK+DECKER Vertragswerkstatt ausgetauscht werden, um mögliche Gefahren zu vermeiden.
- ◆ Die Verwendung eines Fehlerstromschutzschalters (30 mA) erhöht die elektrische Sicherheit.

## Verwenden eines Verlängerungskabels

- ◆ Verwenden Sie ausschließlich geprüfte Verlängerungskabel, die für die Leistungsaufnahme dieses Geräts ausgelegt sind (siehe „Technische Daten“). Das Verlängerungskabel muss für die Verwendung im Außenbereich geeignet und entsprechend gekennzeichnet sein.

Es kann ein 1,5 mm<sup>2</sup>-HO5VV-F-Verlängerungskabel mit einer Länge von bis zu 30 m verwendet werden, ohne dass die Leistung des Geräts beeinträchtigt wird. Prüfen Sie vor der Inbetriebnahme das Netzkabel auf Verschleiß und Beschädigungen. Wechseln Sie beschädigte oder fehlerhafte Verlängerungskabel aus. Beim Verwenden einer Kabeltrommel muss das Kabel stets vollständig abgewickelt sein.

## Etiketten an der Maschine

Am Gerät sind die folgenden Warnsymbole inklusive Datumscode angebracht:



**Warnung!** Lesen Sie vor Inbetriebnahme die Bedienungsanleitung.



Tragen Sie eine Schutzbrille, wenn Sie mit dem Gerät arbeiten.



Tragen Sie einen geeigneten Gehörschutz, wenn Sie mit dem Gerät arbeiten.



Ziehen Sie stets den Stecker aus der Netzsteckdose, bevor Sie das Kabel auf Schäden überprüfen. Verwenden Sie den Rasentrimmer auf keinen Fall, wenn das Kabel beschädigt ist.



Achten Sie auf Gegenstände, die eventuell umhergeschleudert werden. Halten Sie andere Personen von der Schneidzone fern.



Schützen Sie das Gerät vor Feuchtigkeit und Regen.



Garantierter Schalldruckpegel, gemessen nach Richtlinie 2000/14/EG.

## Merkmale

Dieses Gerät verfügt über einige oder alle der folgenden Merkmale.

1. Ein-/Aus-Schalter
2. Kabel-Aufbewahrungsfach
3. Netzkabelstecker
4. Zusatzgriff
5. Spannung

6. Motorgehäuse
7. Schnittführungsrad (nur BESTA528 und BESTA530)
8. Schutzhaube
9. Spule

## Montage

**Warnung!** Vergewissern Sie sich vor der Montage, dass das Gerät ausgeschaltet ist und der Netzstecker gezogen wurde.

### Anbringen der Schutzvorrichtung (Abb. A und B)

- ◆ Drehen Sie den Trimmer um, sodass Sie auf die Spule (9) schauen.
- ◆ Entfernen Sie die Schraube mit einem Kreuzschlitzschraubendreher (nicht mitgeliefert) aus der Schutzvorrichtung.
- ◆ Drehen Sie die Schutzvorrichtung (8) mit der Oberseite nach unten und schieben Sie sie vollständig auf das Motorgehäuse (6).
- ◆ Stellen Sie sicher, dass die Laschen (10) der Schutzvorrichtung die Führungsstege (11) des Motorgehäuses aufnehmen, siehe Abb. A. Die Verriegelungslasche (25) muss in der Aussparung (26) einrasten.
- ◆ Schieben Sie die Schutzvorrichtung weiter, bis die Verriegelungslasche hörbar einrastet.
- ◆ Bringen Sie zum Abschluss die Schraube der Schutzvorrichtung wieder wie in Abb. B gezeigt an und ziehen Sie sie fest.
- ◆ Nach Anbringen der Schutzvorrichtung entfernen Sie die Abdeckung des Trennmessers für den Schneidfaden, das sich am Rand der Schutzvorrichtung befindet.

**Warnung!** Verwenden Sie das Gerät ausschließlich mit ordnungsgemäß angebrachter und fest sitzender Schutzvorrichtung.

### Anbringen des Zusatzhandgriffs (Abb. C, D, E)

- ◆ Um den Griff (4) zu befestigen, drücken Sie die Knöpfe (12) an beiden Seiten des oberen Gehäuses wie in Abb. C gezeigt herein.
- ◆ Positionieren Sie den Griff wie in Abb. D gezeigt und bringen Sie die Griffseite mit der Nut mit der Nut des Knopfes in Übereinstimmung.
- ◆ Drücken Sie den Griff teilweise so fest, dass er die Knöpfe hält, wenn Sie sie mit der Hand lösen.
- ◆ Drücken Sie den Griff vollständig auf das Gehäuse und bewegen Sie ihn leicht, bis er an der richtigen Stelle "einrastet" (Abb. E).
- ◆ Um den Griff nach oben oder unten zu stellen, drücken Sie Knopf (13) herein und heben oder senken Sie den Griff.
- ◆ Der Griff sollte so eingestellt sein, dass Ihr vorderer Arm gerade ist, wenn sich der Trimmer in der Arbeitsstellung befindet.

### Höhenanpassung (Abb. F)

- ◆ Die Gesamthöhe des Trimmers kann durch Lösen des Stellrings (5) und Drehen in die Pfeilrichtung gemäß Abb. G eingestellt werden.
- ◆ Bewegen Sie das obere Gehäuse gerade nach oben oder unten. Wenn die gewünschte Höhe erreicht ist, ziehen Sie den Stellring durch Drehen in die entgegengesetzte Richtung, die in Abb. F gezeigt wird, fest.

### Anbringen eines Verlängerungskabels (Abb. G)

In den Schaltergriff ist ein Verlängerungskabelhalter (2) integriert, der verhindert, dass das Kabel abgezogen werden kann.

- ◆ Um diese Funktion zu nutzen, nehmen Sie etwa 200 mm vom Ende des Verlängerungskabels doppelt und stecken es in die Öffnung (14) im Ende des Griffs, siehe Abb. G.
- ◆ Haken Sie die Schleife ein, indem Sie das Kabel doppelt über die Lasche (2) legen. Überprüfen Sie, dass das Kabel fest in der Haltevorrichtung am Trimmergriff gehalten wird.
- ◆ Verbinden Sie das Ende des Verlängerungskabels mit dem Stromkabelstecker (3) im Trimmer.

### Freigeben des Schneidfadens

Während des Transports ist der Schneidfaden mit Klebeband am Spulengehäuse befestigt.

**Warnung!** Trennen Sie vor der Montage den Netzstecker aus der Steckdose.

- ◆ Entfernen Sie das Klebeband, mit dem der Schneidfaden am Spulengehäuse befestigt ist.
- ◆ Der Abschnitt "Ersetzen der Spule" enthält Anweisungen zum Entfernen der Spule.

### Korrekte Handhaltung

Bei der korrekten Handposition liegt eine Hand auf dem Haupthandgriff und eine auf dem Zusatzhandgriff (4).

### Ein- und Ausschalten

Drücken Sie zum Einschalten des Trimmers den Auslöseschalter (1).

Lassen Sie zum Ausschalten des Trimmers den Auslöseschalter wieder los.

### Betreiben des Trimmers

- ◆ Halten Sie das eingeschaltete Gerät im entsprechenden Winkel und bewegen Sie den Trimmer langsam von einer Seite zur anderen (siehe Abb. H).
- ◆ Halten Sie einen Winkel zwischen 5° und 10° ein (siehe Abb. J). Der Winkel darf nicht spitzer als 10° sein (Abb. J). Schneiden Sie mit der Spitze des Schneidfadens. Halten Sie mithilfe des Schnittführungsrad (7) Abstand von harten Oberflächen.

- ◆ Bewahren Sie einen Mindestabstand von 600 mm zwischen der Schutzvorrichtung und Ihren Füßen, siehe Abb. I. Um diesen Abstand beizubehalten, stellen Sie die Gesamthöhe des Trimmers wie in Abb. F gezeigt ein.

### Umbau zum Kantenschneiden (Abb. K)

Das Gerät kann im Trimm- oder Kantenmodus zum Schneiden von überhängenden Gräsern an Rasenkanten und Blumenbeeten verwendet werden.

**Warnung!** Ziehen Sie den Stecker aus der Steckdose, bevor Sie Einstellungen vornehmen.

**Warnung!** Beim Bearbeiten von Kanten können Steine, Metallteile und andere Objekte vom Schneidfaden mit hoher Geschwindigkeit fortgeschleudert werden. Trimmer und Schutzvorrichtung wurden zur Minimierung dieser Gefahr entwickelt. Sie müssen jedoch **UNBEDINGT** darauf achten, dass andere Personen und Haustiere einen Mindestabstand von 30 m einhalten.

- ◆ Für die Pflege von Rasenkanten stellen Sie den Stelling (5), wie in Abb. K gezeigt ein.
- ◆ Halten Sie den Metallschaft fest und drehen Sie das untere Gehäuse wie in Abb. K gezeigt um 180°.
- ◆ Drehen Sie den Stelling zurück, bis er fest sitzt.

**Hinweis:** Der Metallschaft und das Gehäuse lassen sich nur in eine Richtung drehen.

- ◆ Stellen Sie das Gerät in die Trimmposition zurück, indem Sie den Stelling lockern, das untere Gehäuse um 180° zurückdrehen und den Stelling wieder festziehen.

### Kantenschneiden (Abb. L)

Optimale Schnittergebnisse werden an Kanten erreicht, die tiefer als 50 mm sind. Verwenden Sie diesen Trimmer nicht, um Gräben anzulegen.

- ◆ Führen Sie unter Verwendung des Schnittführungsrad (7) oder der Drahtführung den Trimmer wie in Abbildung L dargestellt.
- ◆ Positionieren Sie das Schnittführungsrad an der Kante des Gehwegs oder rauen Oberfläche, sodass sich der Schneidfaden über dem Gras-/Erdbereich, dessen Kante bearbeitet werden soll, befindet.

**Hinweis:** Das automatische Zuführungssystem funktioniert möglicherweise nicht ordnungsgemäß, wenn das Schnittführungsrad nicht verwendet wird.

**Hinweis:** Der Schneidfaden verschleißt schneller, wenn das Schneidrad zu weit von der Kante entfernt ist und der Schneidfaden dabei über dem Gehweg oder einer rauen Oberfläche positioniert ist.

- ◆ Neigen Sie den Trimmer leicht, um einen kürzeren Beschnitt zu erzielen.
- ◆ Stellen Sie das Gerät in die Trimmposition zurück, indem Sie den Stelling lockern und das untere Gehäuse um 180° zurückdrehen. Das Gerät rastet in der Trimmposition ein.

### Schneidfaden / Fadenzuführung

Der Trimmer verwendet einen RUNDEN Nylonfaden mit 1,65 mm Durchmesser. Während der Arbeit wird die Spitze des Nylonfadens abgenutzt und die spezielle selbstzuführende Spule führt automatisch mehr Faden zu und schneidet ihn entsprechend ab. Der Schneidfaden nutzt sich schneller ab und muss häufiger erneuert werden, wenn Schneidarbeiten oder Kantenschneiden entlang Gehwegen oder anderen rauen Untergründen ausgeführt werden oder dichtes Unkraut geschnitten wird. Die erweiterte automatische Fadenzuführung erkennt, wenn mehr Schneidfaden benötigt wird, und führt bei Bedarf mehr Faden zu und schneidet ihn entsprechend ab. Drücken Sie den Trimmer nicht auf den Boden, um zu versuchen, mehr Faden zuzuführen, oder für andere Zwecke.

### Nützliche Tipps

- ◆ Schneiden Sie mit der Spitze des Schneidfadens; bewegen Sie nicht den Fadenkopf mit Gewalt durch ungeschnittenen Rasen.
- ◆ Draht- und Latenzäune führen zu einer verstärkten Fadenabnutzung und sogar zum Abbrechen des Fadens. An Stein- und Ziegelwänden, Bordsteinen und Holzflächen kann der Faden schnell verschleifen.
- ◆ Ziehen Sie den Spulendeckel nicht über den Boden oder andere Oberflächen.
- ◆ Bei langem Gras schneiden Sie von oben nach unten und überschreiten dabei nicht eine Höhe von 300 mm.
- ◆ Halten Sie den Trimmer so, dass er in Richtung des zu schneidenden Bereichs geneigt ist; so erhalten Sie den besten Schneidbereich.
- ◆ Der Trimmer schneidet, indem Sie das Gerät von links nach rechts schwenken. Dadurch wird vermieden, dass das Schnittgut den Bediener trifft.
- ◆ Vermeiden Sie Bäume und Sträucher. Baumrinde, Holzleisten, Wandverkleidungen und Zaunpfosten können durch den Faden schnell beschädigt werden.

### Ersetzen der Spule (Abb. M, N, O, P)

**Warnung!** Zur Reduzierung des Risikos schwerer Verletzungen muss vor jeder Einstellung und jedem Abnehmen/Installieren von Zubehör das Gerät ausgeschaltet und der Netzstecker gezogen werden. Ungewolltes Anlaufen kann Verletzungen verursachen.

- ◆ Nehmen Sie bei heruntergedrückten Laschen (15) den Spulendeckel (25) vom Spulengehäuse (16) im Trimmerkopf ab (Abb. M).
- ◆ Ersetzen Sie die Spule mit dem BLACK+DECKER Modell Nr. A6481, um optimale Ergebnisse zu erzielen.
- ◆ Halten Sie die leere Spule mit einer Hand und das Spulengehäuse mit der anderen Hand fest und ziehen Sie die Spule heraus.

- ◆ Wenn sich die Klinke (17) (Abb. N) in der Gehäusebasis löst, bringen Sie diese wieder in der richtigen Position an, bevor Sie die neue Spule ins Gehäuse einsetzen.
- ◆ Entfernen Sie Verschmutzungen und Gras von der Spule und dem Gehäuse.
- ◆ Lösen Sie das Ende des Schneidfadens und führen Sie ihn durch die Öse (19) (Abb. O).
- ◆ Stecken Sie eine neue Spule (18) auf die Nabe im Gehäuse (Abb. N). Drehen Sie die Spule leicht, bis sich diese in der richtigen Position befindet. Der Faden sollte etwa 135 mm aus dem Gehäuse herausragen.
- ◆ Richten Sie die Laschen des Spulendeckels an den Löchern (20) des Gehäuses aus (Abb. P).
- ◆ Drücken Sie den Deckel auf das Gehäuse, bis dieser sicher einrastet.

**Warnung!** Schneiden Sie den Schneidfaden ggf. so zu, dass dieser lediglich bis an das Fadenschneidmesser heranreicht, um Beschädigungen des Trimmers zu vermeiden.

### Aufwickeln der Spule mit Meterware-Faden (Abb. Q, R, S)

Neue Schneidfadenspulen erhalten Sie im BLACK+DECKER Fachhandel. Schneidfadenspulen sind auch im Dreierpack erhältlich.

- ◆ Ziehen Sie den Netzstecker.
- ◆ Entnehmen Sie, wie unter "ERSETZEN DER SPULE" beschrieben, die leere Spule aus dem Trimmer.
- ◆ Entfernen Sie alle Schneidfadenreste von der Spule.
- ◆ Knicken Sie etwa 20 mm am Ende des Schneidfadens (21) um. Fädeln Sie den Schneidfaden in einen der Halteschlitz (22) ein, wie in Abb. Q dargestellt.

**Hinweis:** Achten Sie darauf, dass sich der Faden nicht von der Spule abwickelt. Halten Sie ihn stets mit einer Hand fest.

- ◆ Führen Sie wie in Abb. R gezeigt etwa 20 mm vom Ende des Meterware-Fadens in das Loch (23) in der Spule, das sich neben dem Schlitz befindet. Achten Sie darauf, dass der Faden wie in Abb. S gezeigt dicht an der Spule anliegt.
- ◆ Wickeln Sie den Schneidfaden in Pfeilrichtung auf die Spule. Achten Sie darauf, dass Sie den Faden in gleichmäßigen Schichten aufwickeln. Vermeiden Sie, den Faden zu überkreuzen (Abb. S).
- ◆ Schneiden Sie den Faden ab, wenn der aufgewickelte Faden die Aussparungen (24) erreicht. (Abb. R).
- ◆ Bringen Sie, wie unter "ERSETZEN DER SPULE" beschrieben, die Spule wieder am Trimmer an.

**Warnung!** Verwenden Sie ausschließlich den geeigneten Schneidfadentyp.

### Fehlerbehebung

Beachten Sie folgende Hinweise, wenn das Gerät nicht richtig zu funktionieren scheint. Sollte sich das Problem nicht

beheben lassen, wenden Sie sich an eine BLACK+DECKER Vertragswerkstatt in Ihrer Nähe.

**Warnung!** Ziehen Sie den Netzstecker, bevor Sie fortfahren.

### Das Gerät läuft langsam

- ◆ Vergewissern Sie sich, dass sich das Spulengehäuse frei drehen kann. Reinigen Sie dieses ggf. sorgfältig.
- ◆ Stellen Sie sicher, dass der Schneidfaden nicht weiter als etwa 136mm aus dem Spulengehäuse herausragt. Schneiden Sie ggf. den Schneidfaden so zu, dass dieser lediglich bis an das Fadenschneidmesser reicht.

### Die automatische Zuführung funktioniert nicht.

- ◆ Entfernen Sie die Spulenkappe.
- ◆ Ziehen Sie den Schneidfaden heraus, bis dieser etwa 136mm aus der Spule herausragt. Bringen Sie eine neue Spule mit Schneidfaden an, wenn der Schneidfaden auf der Spule nicht mehr ausreicht.
- ◆ Achten Sie darauf, dass der Faden nicht wie in Abb. S gezeigt quer über der Spule verläuft. Wenn das geschieht, wickeln Sie den Faden ab und dann wieder sauber auf die Spule auf, damit sich die Fäden nicht kreuzen.
- ◆ Achten Sie darauf, dass der Schneidfaden fest angezogen wird, sodass er eng an der Spule anliegt (siehe Abb. S).
- ◆ Richten Sie die Laschen am Spulendeckel an den Löchern des Gehäuses aus.
- ◆ Drücken Sie den Spulendeckel auf das Gehäuse, bis dieser sicher einrastet.
- ◆ Schneiden Sie den Schneidfaden ggf. so zu, dass dieser lediglich bis an das Fadenschneidmesser heranreicht. Versuchen Sie folgende Vorgehensweisen, wenn die automatische Zuführung weiterhin nicht funktioniert oder die Spule klemmt:
  - ◆ Reinigen Sie sorgfältig Spulendeckel und Gehäuse.
  - ◆ Entfernen Sie die Spule, und überprüfen Sie, ob sich der Hebel im Spulengehäuse frei bewegen lässt.
  - ◆ Entnehmen Sie die Spule, wickeln Sie den Schneidfaden ab und anschließend sorgfältig wieder auf. Setzen Sie die Spule wieder in das Gehäuse ein.

### Wartung

Ihr BLACK+DECKER-Gerät (mit und ohne Netzkabel) wurde im Hinblick auf eine lange Lebensdauer und einen möglichst geringen Wartungsaufwand entwickelt. Ein dauerhafter, einwandfreier Betrieb setzt eine regelmäßige Pflege und Reinigung voraus.

Das Ladegerät benötigt keine Wartung, es sollte jedoch regelmäßig gereinigt werden.

**Warnung!** Vor dem Ausführen jeglicher Wartungsarbeiten an Geräten mit und ohne Netzkabel:

- ◆ Schalten Sie das Gerät aus, und ziehen Sie den Netzstecker.

- ◆ Wenn das Gerät über einen separaten Batteriepack oder Akku verfügt, schalten Sie das Gerät ab, und entnehmen Sie die Batterien aus dem Gerät.
- ◆ Wenn der Akku integriert ist, entladen Sie diesen vor dem Abschalten vollständig.
- ◆ Ziehen Sie das Ladegerät aus der Netzsteckdose, bevor Sie es reinigen. Das Ladegerät benötigt keine Wartung, es sollte jedoch regelmäßig gereinigt werden.
- ◆ Reinigen Sie regelmäßig die Lüftungsschlitze des Geräts und des Ladegeräts mit einer weichen Bürste oder einem trockenen Tuch.
- ◆ Reinigen Sie das Motorgehäuse regelmäßig mit einem feuchten Tuch. Verwenden Sie keine scheuernden Reinigungsmittel oder Reinigungsmittel auf Lösungsmittelbasis.
- ◆ Reinigen Sie regelmäßig den Schneidfaden und die Spule mit Hilfe einer weichen trockenen Bürste oder eines trockenen Tuchs.
- ◆ Entfernen Sie mit einem stumpfen Schaber regelmäßig Gras und Erde von der Unterseite der Schutzvorrichtung.

## Umweltschutz



Getrennte Entsorgung. Produkte und Akkus mit diesem Symbol dürfen nicht als normaler Hausmüll entsorgt werden.

Produkte und Akkus enthalten Materialien, die wiederverwertet werden können, um den Bedarf an Rohstoffen zu verringern. Bitte recyceln Sie elektrische Produkte und Akkus gemäß den örtlichen Bestimmungen. Weitere Informationen finden Sie auf [www.2helpU.com](http://www.2helpU.com)

## Technische Daten

		BESTA525 Typ 1	BESTA528 Typ 1	BESTA530 Typ 1
Spannung	V <sub>AC</sub>	230	230	230
Leistungsaufnahme	W	450	550	550
Leerlaufdrehzahl	min <sup>-1</sup>	7500	7500	7500
Gewicht	kg	2,4	2,4	2,4

<b>Schalldruckpegel:</b>	
Schalldruck (L <sub>pk</sub> )	81 dB(A), Unsicherheitsfaktor (K) 3 dB(A)
Schalleistung (L <sub>wa</sub> )	93 dB(A), Unsicherheitsfaktor (K) 2,6 dB(A)
<b>Gesamtvibration (Triax-Vektorsumme) gemäß EN 50636-2-91:</b>	
Vibrationsemissionswert (a <sub>v</sub> )	4,9 m/s <sup>2</sup> , Unsicherheitsfaktor (K) 1,7 m/s <sup>2</sup>

**EU-Konformitätserklärung**  
MASCHINENRICHTLINIE  
AUSSENLAUTSTÄRKERICHTLINIE



BESTA525, BESTA528, BESTA530 - Trimmer  
Black & Decker erklärt, dass die in den "Technischen Daten" beschriebenen Geräte übereinstimmen mit:  
2006/42/EC, EN60335-1:2012 +A11:2014,  
EN 50636-2-91:2014

2000/14/EG, Rasentrimmer, L ≤ 50 cm, Anhang VI  
DEKRA Certification B.V. Meander 1051 / P.O. Box 5185  
6825 MJ ARNHEM / 6802 ED ARNHEM, Niederlande

Gemeldet unter ID-Nr.: 0344

Schallpegel gemäß 2000/14/EG

((Artikel 12, Anhang III, L ≤ 50 cm):

L<sub>WA</sub> (gemessene Schalleistung) 93 dB(A)

Unsicherheitsfaktor = 3 dB(A)

L<sub>WA</sub> (garantierte Schalleistung) 96 dB(A)

Diese Produkte entsprechen außerdem den Richtlinien 2014/30/EU und 2011/65/EU. Weitere Informationen erhalten Sie von Black & Decker unter der folgenden Adresse. Diese befindet sich auch auf der Rückseite dieser Anleitung.

Der Unterzeichnete ist verantwortlich für die Zusammenstellung der technischen Daten und gibt diese Erklärung im Namen von Black & Decker ab.

R. Laverick

Director of Engineering

Black & Decker Europe, 210 Bath Road, Slough,

Berkshire, SL1 3YD

Vereinigtes Königreich

14.12.2017

## Garantie

Black & Decker vertraut auf die Qualität der eigenen Geräte und bietet dem Käufer eine außergewöhnliche Garantie von 24 Monaten ab Kaufdatum. Diese Garantie versteht sich unbeschadet der gesetzlichen Gewährleistungsansprüche und schränkt diese keinesfalls ein. Diese Garantie gilt innerhalb der Staatsgebiete der Mitgliedstaaten der Europäischen Union und der Europäischen Freihandelszone.

Zur Inanspruchnahme dieser Garantie muss sie den allgemeinen Geschäftsbedingungen von Black & Decker entsprechen und dem Verkäufer bzw. der Vertragswerkstatt ist ein Kaufnachweis vorzulegen. Die Bedingungen für die 2-jährige Garantie von Black & Decker und den Standort Ihrer nächstgelegenen Vertragswerkstatt finden Sie im Internet unter [www.2helpU.com](http://www.2helpU.com) oder indem Sie sich an die lokale Black & Decker-Niederlassung wenden, deren Adresse Sie in dieser Anleitung finden.

Ihr neues BLACK+DECKER-Produkt können Sie auf unserer Website unter [www.blackanddecker.de](http://www.blackanddecker.de) registrieren. Dort erhalten Sie auch Informationen über neue Produkte und Sonderangebote.

## Utilisation prévue

Vos coupe-bordures BLACK+DECKER BESTA525, BESTA528 et BESTA530 ont été conçus pour la taille et la finition des bordures de pelouse et pour couper l'herbe dans les espaces confinés. Ces machines sont destinées à un usage grand public uniquement.

## Consignes de sécurité

**Avertissement !** L'utilisation de machines alimentées sur secteur implique le respect de certaines précautions de sécurité élémentaires, dont celles qui suivent, afin de réduire les risques d'incendie, de choc électrique, de blessures et de dommages matériels.

**Avertissement !** Les consignes de sécurité doivent être respectées pendant l'utilisation.

Pour votre propre sécurité ainsi que celle des personnes présentes à proximité, lisez ces instructions avant d'utiliser la machine.

Veillez conserver les instructions pour pouvoir vous y référer dans le futur.

- ◆ Avant d'utiliser la machine, lisez attentivement ce manuel dans son intégralité.
- ◆ Ce manuel décrit la manière d'utiliser l'appareil.
- ◆ L'utilisation d'un accessoire ou d'un équipement ou l'utilisation de cette machine à d'autres fins que celles recommandées dans ce manuel d'utilisation peut présenter un risque de blessures.
- ◆ Conservez ce manuel pour pouvoir vous y référer dans le futur.

## Utilisation de votre machine

Prenez toujours toutes les précautions nécessaires lorsque vous utilisez la machine.

- ◆ Portez toujours des lunettes de protection.
- ◆ Interdisez l'utilisation de la machine aux enfants et aux autres personnes non familiarisées avec ses instructions d'utilisation.
- ◆ Ne faites jamais fonctionner la machine si des personnes, et particulièrement des **enfants**, ou des animaux sont à proximité.
- ◆ Une surveillance étroite est nécessaire lorsque la machine est utilisée près d'enfants.
- ◆ Cette machine n'est pas destinée à être utilisée par des personnes jeunes ou infirmes sans surveillance.
- ◆ Cette machine ne doit pas être utilisée comme un jouet.
- ◆ N'utilisez cette machine que de jour ou avec un bon éclairage artificiel.
- ◆ Évitez toute utilisation de la machine si les conditions météorologiques sont mauvaises et particulièrement en cas de risque de foudre.
- ◆ Si l'appareil commence à vibrer de manière anormale ou si vous touchez un corps étranger, éteignez-le et débranchez la prise. Vérifiez l'état de la machine, remplacez ou réparez les pièces endommagées, vérifiez et serrez les pièces desserrées.
- ◆ Elle doit toujours être utilisée dans des endroits secs. Ne laissez pas la machine être mouillée.

- ◆ Ne plongez pas la machine dans l'eau.
- ◆ N'ouvrez pas le corps de la machine. Il n'y a aucune pièce réparable par l'utilisateur à l'intérieur.
- ◆ Ne faites pas fonctionner la machine dans un environnement présentant des risques d'explosion, notamment en présence de liquides, gaz ou poussières inflammables.
- ◆ Pour limiter le risque d'endommagement des prises ou des fils électriques, ne débranchez jamais la machine en tirant sur le câble.

## Sécurité des personnes

- ◆ Ne laissez jamais les **enfants**, les personnes aux capacités physiques, sensorielles ou mentales déficientes ou manquant d'expérience ou de connaissances ou les personnes non familiarisées avec ces instructions, utiliser la machine. La réglementation locale peut limiter l'âge de l'utilisateur.
  - ◆ Ne laissez pas les enfants jouer avec la machine.
  - ◆ Le nettoyage et la maintenance à réaliser par l'utilisateur ne doivent pas être entrepris par des enfants sans surveillance.
- sécurité pertinentes et la mise en œuvre de dispositifs de sécurité, certains risques résiduels ne peuvent pas être évités. Ils comprennent :
- ◆ Les blessures dues au contact avec des pièces mobiles/en rotation.
  - ◆ Les blessures dues au changement de pièces, de lames ou d'accessoires.
  - ◆ Les blessures dues à l'utilisation prolongée d'un outil.
  - ◆ Lorsque vous utilisez un outil quel qu'il soit pendant de longues périodes, assurez-vous de faire des pauses régulières.
  - ◆ Troubles de l'ouïe.
  - ◆ Les risques pour la santé dus à l'inhalation de poussières produites pendant l'utilisation de l'outil (exemple : travail avec du bois, surtout le chêne, le hêtre et les panneaux en MDF).

## Vibrations

La valeur des émissions de vibrations déclarée dans les caractéristiques techniques et la déclaration de conformité a été mesurée conformément à la méthode de test normalisée établie par la norme EN50636 et peut être utilisée pour comparer un outil à un autre. La valeur des émissions de vibrations déclarée peut aussi être utilisée pour une évaluation préliminaire à l'exposition.

**Avvertissement !** En fonction de la manière dont l'outil est utilisé, la valeur des émissions de vibrations réelles pendant l'utilisation de l'outil peut différer

## Risques résiduels

Certains risques résiduels autres que ceux mentionnés dans les avertissements sur la sécurité peuvent survenir en utilisant l'outil. Ces risques peuvent être provoqués par une utilisation incorrecte, prolongée, etc. Malgré l'application des normes de

de la valeur déclarée. Le niveau des vibrations peut dépasser le niveau déclaré.

Quand l'exposition aux vibrations est évaluée afin de déterminer les mesures de sécurité requises par la norme 2002/44/CE pour protéger les personnes utilisant régulièrement des outils électriques, cette estimation doit tenir compte des conditions réelles d'utilisation et de la façon dont l'outil est utilisé. Il faut également tenir compte de toutes les composantes du cycle de fonctionnement comme la durée pendant laquelle l'outil est arrêté et quand il fonctionne au ralenti, ainsi que la durée du déclenchement.

### Après utilisation

- ◆ Quand elle n'est pas utilisée, la machine doit être rangée dans un endroit suffisamment aéré, sec et hors de portée des enfants.
- ◆ Rangez vos machines hors de portée des enfants.
- ◆ Quand la machine est rangée ou transportée dans un véhicule, elle doit être installée dans le coffre ou correctement calée pour éviter les mouvements dus aux changements de direction ou de vitesse.

### Vérification et réparations

- ◆ Avant d'utiliser la machine, vérifiez qu'aucune de ses pièces n'est endommagée ou défectueuse.

Contrôlez l'absence de pièces cassées ou toutes autres anomalies susceptibles de nuire au bon fonctionnement de la machine.

- ◆ N'utilisez pas la machine si l'une de ses pièces est endommagée ou défectueuse.
- ◆ Faites réparer ou remplacer les pièces défectueuses ou endommagées par un réparateur agréé.
- ◆ Ne tentez jamais de retirer ou de remplacer des pièces autres que celles indiquées dans ce manuel.

### Consignes de sécurité supplémentaires relatives aux coupe-bordures

**Avertissement !** Les organes de coupe continuent de tourner juste après l'extinction du moteur.

- ◆ Familiarisez-vous avec les commandes et la manière appropriée d'utiliser la machine.
- ◆ Avant l'utilisation, vérifiez l'état du cordon d'alimentation électrique et de la rallonge (dommage, usure et vieillissement).

Si un câble est endommagé pendant l'utilisation, débranchez immédiatement la machine. **NE TOUCHEZ PAS LE CÂBLE AVANT QU'IL SOIT DÉBRANCHÉ DU SECTEUR.**

- ◆ N'utilisez pas la machine si les câbles sont endommagés ou défectueux.



- ◆ Avant d'utiliser la machine et après un choc, recherchez les signes d'usure ou de dommages et réparez, le cas échéant.
- ◆ Assurez-vous que les fentes d'aération restent exemptes de débris.
- ◆ Portez des chaussures résistantes pour protéger vos pieds.
- ◆ Portez un pantalon pour protéger vos jambes.
- ◆ Avant d'utiliser la machine, retirez les bâtons, cailloux, câbles et autres corps étrangers de la zone à couper.
- ◆ N'utilisez la machine qu'à la verticale, le fil de coupe près du sol. Ne démarrez jamais la machine dans aucune autre position.
- ◆ Ne vous penchez pas et gardez votre équilibre en permanence. Assurez-vous de garder votre équilibre, marchez, ne courez pas.
- ◆ Ne travaillez pas sur des pentes trop raides. Ne faites jamais face à la pente, ne travaillez jamais de haut en bas.
- ◆ Déplacez-vous lentement quand vous utilisez la machine. N'oubliez pas que l'herbe fraîchement coupée est glissante.
- ◆ Ne traversez jamais des passages gravillonnés alors que la machine est en marche.
- ◆ Ne touchez pas les pièces dangereuses en mouvement avant que la machine ne soit débranchée du secteur et que les pièces ne soient complètement arrêtées.
- ◆ Ne touchez jamais le fil de coupe quand la machine est en marche.
- ◆ Ne posez pas la machine avant l'arrêt complet du fil de coupe.
- ◆ Utilisez exclusivement un type de fil de coupe approprié. N'utilisez jamais un fil de coupe en métal ou du fil de pêche.
- ◆ Prenez les précautions nécessaires pour ne pas toucher la lame du fil de coupe.
- ◆ Prenez les précautions nécessaires pour que le câble d'alimentation électrique soit éloigné du fil de coupe. Vérifiez toujours la position du câble.
- ◆ Gardez toujours vos pieds et mains éloignés du fil de coupe, notamment au moment du démarrage du moteur.
- ◆ Ne faites jamais fonctionner la machine si les dispositifs de protection sont endommagés ou manquants.
- ◆ Prenez les précautions nécessaires pour éviter de vous blesser avec les dispositifs installés pour couper la longueur de fil. Une fois un nouveau fil de coupe tiré, replacez toujours la machine dans sa position de fonctionnement normale avant de la remettre en marche.
- ◆ N'utilisez pas le coupe-bordure si les câbles sont endommagés ou usés.
- ◆ Gardez les rallonges loin des organes de coupe.

## Sécurité électrique



Cette machine est doublement isolée. Par conséquent, aucun fil de mise à la terre n'est nécessaire. Assurez-vous toujours que l'alimentation électrique correspond à la tension mentionnée sur la plaque signalétique.

- ◆ Si le câble d'alimentation est endommagé, il doit être remplacé par le fabricant ou par un centre d'assistance BLACK+DECKER agréé afin d'éviter tout accident.
- ◆ Utilisez un dispositif différentiel de courant résiduel à grande sensibilité, 30 mA (RCD) pour améliorer la sécurité électrique.

## Utilisation d'une rallonge

La rallonge utilisée doit être conforme aux normes et doit s'adapter exactement à la prise de cette machine (voir les données techniques). La rallonge doit être adaptée à une utilisation à l'extérieur et signalée comme tel. Une rallonge BLACK+DECKER HO5VV-F de 1,5 mm<sup>2</sup> allant jusqu'à 30 m peut être utilisée sans que les performances de l'appareil ne soient limitées. Avant d'utiliser la rallonge, assurez-vous qu'elle est en bon état et récente. Remplacez la rallonge si elle est en mauvais état. Si vous utilisez un dévidoir, le câble doit être complètement déroulé.

## Étiquettes apposées sur la machine

Les symboles d'avertissement qui suivent figurent sur la machine avec le code date :



**Avertissement !** Lisez le manuel avant la mise en marche.



Portez des lunettes de protection lorsque vous utilisez cette machine.



Portez toujours des protections auditives appropriées pour utiliser cette machine.



Débranchez toujours la prise du courant avant de vérifier si le câble est endommagé. N'utilisez pas votre coupe-bordure si son câble est endommagé.



Faites attention aux projections d'objets. Éloignez toute personne de la zone de tonte.



N'exposez pas la machine à la pluie ou à l'humidité.



Puissance sonore garantie conforme à la Directive 2000/14/CE.

## Caractéristiques

Cette machine dispose de tout ou partie des éléments suivants.

1. Interrupteur Marche/Arrêt
2. Passe-câble
3. Prise pour le câble d'alimentation
4. Poignée auxiliaire
5. Collier
6. Carter moteur
7. Roue guide-bordure (BESTA528 et BESTA530 uniquement)
8. Carter de protection
9. Bobine

## Assemblage

**Avertissement !** Avant l'assemblage, assurez-vous que l'outil est éteint et débranché.

### Fixer le carter de protection (Fig. A et B)

- ◆ Retournez le coupe-bordure pour faire apparaître la bobine (9).
- ◆ Retirez la vis du carter de protection cache à l'aide d'un tournevis Phillips.
- ◆ Retournez le cache carter de protection (8) et glissez-le à fond sur le carter moteur (6). Assurez-vous que les ergots (10) sur le carter de protection pénètrent dans les rainures

(11) du carter moteur, comme illustré par à la figure A. L'ergot de verrouillage (25) doit être clipsé dans la fente du boîtier (26).

- ◆ Continuez à glisser le carter jusqu'à ce qu'un clic indique qu'il est en place.
- ◆ Insérez la vis du carter et serrez-la fermement, comme illustré par la Fig. B pour finir d'assembler le carter.
- ◆ Une fois le carter de protection installé, retirez le cache de la lame de coupe linéaire, situé sur le bord du carter de protection.

**Avertissement !** N'utilisez jamais l'outil si le carter de protection n'est pas correctement installé.

### Fixer la poignée auxiliaire (Fig. C, D, E)

- ◆ Pour fixer la poignée (4), appuyez sur les boutons (12) des deux côtés du boîtier supérieur, comme illustré par la figure C.
- ◆ Positionnez la poignée comme illustré par la Fig. D, en faisant coïncider le côté cannelé de la poignée avec le bouton cannelé. Poussez partiellement la poignée de façon que les boutons restent maintenus quand vous les relâchez.
- ◆ Enfoncez complètement la poignée dans le boîtier et cherchez sa position correcte jusqu'à ce qu'elle s'enclenche en place (Fig. E).
- ◆ Pour régler la hauteur de la poignée, enfoncez le bouton (13) et soulevez ou abaissez la poignée.
- ◆ La poignée doit être réglée de façon que l'avant de votre bras soit droit lorsque vous travaillez avec le coupe-bordure.

### Réglage de la hauteur (Fig. F)

- ◆ La hauteur totale du coupe-bordure peut être réglée en dévissant le collier (5) et en le tournant dans le sens de la flèche comme illustré par la Fig. G.
- ◆ Déplacez la partie haute vers le haut ou le bas. Une fois la bonne hauteur atteinte, serrez le collier en le tournant dans le sens inverse à la flèche comme illustré par la Fig. F.

### Fixer la rallonge (Fig. G)

Un passe-câble (2) est intégré dans la poignée interrupteur afin d'empêcher le cordon de se débrancher.

- ◆ Pour utiliser cette option, doublez simplement l'extrémité de la rallonge sur environ 203 mm et insérez-la dans la fente (14) à l'extrémité de la poignée, comme illustré par la Fig. G.
- ◆ Accrochez la boucle formée par le cordon doublé sur l'attache (2). Tirez doucement sur le cordon pour vérifier qu'il est fermement maintenu dans la poignée du coupe-bordure.
- ◆ Raccordez l'extrémité femelle de la rallonge avec la prise du cordon d'alimentation (3) sur la coupe-bordure.

### Libérer du fil de coupe

Pendant le transport, le fil de coupe est scotché sur le compartiment bobine.

**Avertissement !** Avant le montage, débranchez la machine du secteur.

- ◆ Retirez le scotch fixant le fil de coupe au compartiment bobine.
- ◆ Consultez la section "Remplacer la bobine" pour savoir comment retirer la bobine.

### Position correcte des mains

La position correcte des mains nécessite une main sur la poignée principale et l'autre main sur la poignée auxiliaire (4).

### Mise en marche et extinction

Pour mettre le coupe-bordure en marche, enfoncez la gâchette (1).

Pour éteindre le coupe-bordure, relâchez la gâchette.

### Utiliser le coupe-bordure

- ◆ Une fois la machine mise en marche, inclinez-la et balancez-le lentement d'un côté à l'autre, comme illustré par la Fig. H.
- ◆ Maintenez un angle de coupe de 5° à 10° comme illustré à la Fig. J. Ne dépassez pas 10° (Fig. J). Coupez avec l'extrémité du fil. Pour rester à une certaine distance des surfaces dures, utilisez la roue guide-bordure (7).
- ◆ Gardez une distance minimum de 600mm entre le carter de protection et vos pieds, comme illustré par la Fig. I. Pour parvenir à garder cette distance, réglez la hauteur totale du coupe-bordure, comme illustré par la Fig. F.

### Passer en mode Délignage (Fig. K)

L'outil peut être utilisé en mode Taille ou en mode Délignage pour couper l'herbe qui dépasse au bord des pelouses et des parterres de fleurs.

**Avertissement !** Débranchez la prise de l'alimentation électrique avant d'effectuer des réglages quels qu'ils soient.

**Avertissement !** Lorsque la machine est utilisée comme déligneuse, des cailloux, morceaux de métal et autres objets peuvent être projetés par le fil à grande vitesse. Le coupe-bordure et le carter de protection sont conçus pour réduire ce risque. Malgré tout, **ASSUREZ-VOUS** qu'aucune personne et qu'aucun animal domestique ne se trouvent à moins de 30 m.

- ◆ Pour utiliser la machine comme déligneuse, tournez le collier (5) comme illustré par la Fig. K.
- ◆ Maintenez l'axe métallique et tournez la partie inférieure de 180° comme illustré par la Fig. K.
- ◆ Pivotez le collier pour de le faire revenir droit.

**Remarque :** L'axe métallique et le boîtier ne tournent que dans un sens.

- ◆ Pour revenir en mode Taille, dévissez le collier de verrouillage et faites pivoter le boîtier inférieur à 180° avant de resserrer le collier.

## Délimitage (Fig. L)

Des résultats optimum de coupe sont obtenus sur les bordures d'une profondeur supérieure à 50 mm. N'utilisez pas ce coupe-bordure pour créer des tranchées.

- ◆ À l'aide de la roue guide-bordure (7) ou du carter, guidez le coupe-bordure comme illustré par la Fig. L.
- ◆ Positionnez la roue guide-bordure le long de la bordure ou de la surface abrasive de façon que le fil de coupe se trouve au-dessus de l'herbe ou de la zone à tailler.

**Remarque :** Le système d'Auto alimentation du fil peut ne pas fonctionner correctement si la roue guide-bordure n'est pas utilisée.

**Remarque :** L'usure du fil de coupe est plus importante que la normale si la roue guide-bordure est trop éloignée du bord alors que le fil de coupe se trouve au-dessus de la bordure ou de la surface abrasive.

- ◆ Pour effectuer une coupe plus précise, inclinez légèrement le coupe-bordure.
- ◆ Revenez en mode Taille en dévissant le collier de verrouillage et tournant le boîtier inférieur de 180°. L'outil se verrouille alors en position Taille.

## Fil de coupe / Alimentation du fil

Votre coupe-bordure utilise un fil nylon ROND de 1,65 mm. Pendant l'utilisation, les pointes des fils en nylon s'effilochent et s'usent et le système spécial d'alimentation en fil s'occupe de fournir automatiquement une nouvelle longueur de fil.

Le fil de coupe s'use plus rapidement et doit être renouvelé plus souvent si la taille est effectuée le long de bordures ou d'autres surfaces abrasives et si ce sont de plus grosses mauvaises herbes qui sont coupées. Le mécanisme d'alimentation automatique du fil détecte lorsqu'il y a besoin de plus de fil de coupe et il approvisionne et coupe la bonne longueur de fil quand c'est nécessaire. Ne heurtez pas le coupe-bordure contre le sol pour tenter de faire venir plus de fil ou pour toute autre raison.

## Conseils utiles pour la taille

- ◆ Utilisez l'extrémité du fil pour effectuer la taille ; n'enfoncez pas la tête de coupe dans l'herbe.
- ◆ Les grillages et les palissades augmentent l'usure du fil et peuvent même le rompre. Les murs en pierres et en briques, les margelles et le bois usent le fil prématurément.
- ◆ Ne laissez pas le cache-bobine traîner sur le sol ou d'autres surfaces.
- ◆ Si vous taillez de l'herbe haute, taillez de haut en bas et ne taillez pas à moins de 300 mm.

- ◆ Gardez le coupe-bordure incliné vers la zone à couper ; c'est la meilleure position de coupe.
- ◆ Le coupe-bordure effectue la coupe en passant l'appareil de droite à gauche. Ceci permet d'éviter la projection de débris vers l'utilisateur.
- ◆ Évitez les arbres et les buissons. Les écorces d'arbre, les moulures, les parements en bois et les poteaux de clôtures en bois peuvent facilement être endommagés par le fil.

## Remplacer la bobine (Fig. M, N, O, P)

**Avertissement !** Afin de réduire tout risque de blessures graves, éteignez et débranchez la machine du secteur avant de procéder à tout réglage ou avant de retirer ou d'installer toute pièce ou tout accessoire. Un démarrage accidentel peut provoquer des blessures

- ◆ Appuyez sur les ergots (15) et retirez le cache-bobine (25) du compartiment bobine (16) sur la tête de taille (Fig. M).
- ◆ Pour un résultat optimal, utilisez des bobines BLACK+DECKER n° de modèle A6481.
- ◆ Saisissez la bobine vide d'une main et le compartiment bobine de l'autre, puis extrayez la bobine.
- ◆ Si le levier (17) (Fig. N) situé dans la base du compartiment se déloge, réinstallez-le dans la bonne position avant d'insérer une bobine neuve dans le compartiment.
- ◆ Éliminez la poussière et l'herbe de la bobine et du compartiment.
- ◆ Détachez l'extrémité du fil de coupe et guidez-le dans l'œillet (19) Fig. O.
- ◆ Prenez la bobine neuve et poussez-la sur la saillie (18) dans le compartiment (Fig. N). Tournez légèrement la bobine jusqu'à ce qu'elle soit en place. Le fil doit dépasser d'environ 136 mm du compartiment.
- ◆ Alignez les ergots du cache-bobine avec les encoches (20) du compartiment (Fig. P).
- ◆ Poussez le cache dans le compartiment jusqu'à ce qu'il se bloque fermement en place.

**Avertissement !** Afin d'éviter d'endommager le coupe-bordure, si le fil de coupe dépasse de la lame de coupe, coupez-le de façon à ce qu'il atteigne juste la lame.

## Rembobiner une bobine avec du fil en vrac (Fig. Q, R, S)

Vous trouverez des bobines de fil de coupe de rechange chez votre revendeur BLACK+DECKER. Des packs de trois bobines de fil de coupe sont aussi disponibles.

- ◆ Débranchez l'outil.
- ◆ Retirez la bobine vide du coupe-bordure comme décrit à la section "REPLACER LA BOBINE".
- ◆ Retirez le fil restant dans la bobine.

- ◆ Pliez l'extrémité du fil de coupe d'environ 19 mm (21). Faites passer le fil de coupe dans l'une des fentes de fixation du fil (22) comme illustré par la Fig. Q.

**Remarque :** Prenez les précautions nécessaires pour que le fil ne s'emmêle pas sur la bobine. Tenez-le en permanence fermement dans une main.

- ◆ Insérez l'extrémité de 19 mm du fil en vrac dans le trou (23) de la bobine à côté de la fente comme illustré par la Fig. R. Assurez-vous que le fil est bien tiré étroitement contre la bobine comme illustré par la Fig. S.
- ◆ Enroulez le fil de coupe sur la bobine dans le sens de la flèche apposée sur la bobine. Assurez-vous de soigneusement enrouler le fil en couches. Ne croisez pas le fil (Fig. S).
- ◆ Quand le fil de coupe enroulé atteint les renforcements (24), coupez le fil. (Fig. R).
- ◆ Installez la bobine dans le coupe-bordure comme décrit dans la section "REPLACER LA BOBINE".

**Avertissement !** Avant de commencer à tailler, veillez à n'utiliser que le type de fil de coupe approprié.

## Dépannage

Si l'outil ne fonctionne pas correctement, suivez les instructions ci-dessous. Si le problème persiste, veuillez contacter votre réparateur local BLACK+DECKER.

**Avertissement !** Débranchez l'outil avant de commencer.

## La machine fonctionne lentement

- ◆ Vérifiez que le compartiment bobine tourne librement. Nettoyez-le, le cas échéant.
- ◆ Vérifiez que le fil de coupe ne dépasse pas de plus de 136mm du compartiment bobine. Si c'est le cas, coupez-le pour qu'il soit au niveau de la lame.

## Problème de déroulement automatique du fil

- ◆ Retirez le cache-bobine.
- ◆ Tirez sur le fil de coupe jusqu'à ce qu'il dépasse d'environ 136mm du compartiment. S'il n'y a plus assez de fil dans la bobine, installez une bobine neuve.
- ◆ Assurez-vous que le fil n'est pas croisé dans la bobine comme détaillé par la Fig. S. Si c'est le cas, déroulez le fil et rembobinez-le sur la bobine avec soin de façon qu'il ne soit pas croisé.
- ◆ Veillez à ce que le début du fil soit enroulé étroitement contre la bobine comme illustré à la Fig. S.
- ◆ Alignez les onglets du cache-bobine avec les fentes du compartiment.
- ◆ Poussez le cache-bobine dans le compartiment jusqu'à ce qu'il se bloque fermement en place.
- ◆ Si le fil de coupe dépasse de la lame, coupez-le pour qu'il soit juste au niveau de la lame. Si le déroulement automatique du fil ne fonctionne pas ou si la bobine est emmêlée, effectuez ce qui suit :

- ◆ Nettoyez soigneusement le cache-bobine et le compartiment.
- ◆ Retirez la bobine et vérifiez que le levier à l'intérieur du compartiment bobine peut bouger librement.
- ◆ Retirez la bobine et déroulez le fil de coupe avant de le rembobiner soigneusement. Remplacez la bobine dans le compartiment.

## Maintenance

Votre machine/outil sans fil/avec fil BLACK+DECKER a été conçu pour fonctionner longtemps avec un minimum d'entretien. Son bon fonctionnement continu dépend de son entretien et de son nettoyage régulier. Votre chargeur ne nécessite aucun entretien particulier, à l'exception d'un nettoyage régulier.

**Avertissement !** Avant toute intervention de maintenance sur des outils électriques avec ou sans fil :

- ◆ Éteignez la machine/outil, puis débranchez-la/le.
- ◆ Ou, arrêtez la machine/l'outil et retirez-en la batterie si elle/il est muni(e) d'un bloc-batterie séparé.
- ◆ Ou déchargez complètement la batterie si elle est intégrée, puis éteignez la machine.
- ◆ Débranchez le chargeur avant de le nettoyer. Votre chargeur ne nécessite aucun entretien particulier, à l'exception d'un nettoyage régulier.
- ◆ Nettoyez régulièrement les orifices de ventilation de votre outil/machine et du chargeur à l'aide d'une brosse souple ou d'un chiffon sec.
- ◆ Nettoyez régulièrement le bloc-moteur à l'aide d'un chiffon humide. N'utilisez pas de détergents abrasifs ou à base de solvants.
- ◆ Nettoyez régulièrement le fil de coupe et la bobine à l'aide d'une brosse souple ou d'un chiffon sec.
- ◆ Utilisez régulièrement un racleur pour retirer l'herbe et les saletés sous le carter de protection.

## Protection de l'environnement



Tri sélectif. Les produits et batteries marqués de ce symbole ne doivent pas être jetés avec les déchets ménagers

Les produits et batteries contiennent des matières qui peuvent être récupérées et recyclées afin de réduire la demande en matières premières.

Veillez à recycler les produits électriques et les piles et batteries conformément aux dispositions locales en vigueur. Pour plus d'informations, consultez le site [www.2helpU.com](http://www.2helpU.com)

## Caractéristiques techniques

		BESTA525 Type 1	BESTA528 Type 1	BESTA530 Type 1
Tension	$V_{CA}$	230	230	230
Puissance absorbée	W	450	550	550
Régime à vide	$\text{min}^{-1}$	7500	7500	7500
Poids	kg	2,4	2,4	2,4

Niveau de pression sonore :	
Pression sonore ( $L_{pA}$ )	81 dB(A), incertitude (K) 3 dB(A)
Puissance sonore ( $L_{WA}$ )	93 dB(A), incertitude (K) 2,6 dB(A)
Valeurs totales des vibrations (somme vectorielle triaxiale) selon la norme EN 50636-2-91 :	
Valeur des vibrations émises ( $a_v$ )	4,9 $\text{m/s}^2$ , incertitude (K) 1,7 $\text{m/s}^2$

## Déclaration de conformité CE

DIRECTIVES MACHINES  
DIRECTIVE RELATIVE AUX NUISANCES SONORES  
EXTÉRIEURES



Coupe-bordure BESTA525, BESTA528, BESTA530  
Black & Decker déclare que les produits décrits dans les  
"Caractéristiques techniques" sont conformes aux normes :  
2006/42/EC, EN60335-1:2012 +A11:2014,  
EN 50636-2-91:2014

2000/14/CE, Coupe-bordure,  $L \leq 50$  cm, Annexe VI  
DEKRA Certification B.V. Meander 1051 / P.O. Box 5185  
6825 MJ ARNHEM / 6802 ED ARNHEM, Pays Bas  
N° ID organisme mandaté : 0344

Niveau de puissance sonore selon 2000/14/CE

(Article 12, Annexe III,  $L \leq 50$  cm) :

$L_{WA}$  (puissance sonore mesurée) 93 dB(A)

Incertitude = 3 dB(A)

$L_{WA}$  (puissance sonore garantie) 96 dB(A)

Ces produits sont également conformes aux Directives  
2014/30/UE et 2011/65/UE. Pour plus de détails, veuillez  
contacter Black & Decker à l'adresse suivante ou consultez la  
dernière page du manuel.

Le soussigné est responsable de la compilation des données  
de la fiche technique et fait cette déclaration au nom de  
Black & Decker.

R. Laverick  
Directeur Ingénierie  
Black & Decker Europe, 210 Bath Road, Slough,  
Berkshire, SL1 3YD  
Royaume-Uni  
14/12/2017

## Garantie

Black & Decker est sûr de la qualité de ses produits et offre  
une garantie de 24 mois aux utilisateurs, à partir de la date  
d'achat. Cette garantie s'ajoute à vos droits légaux auxquels  
elle ne porte aucunement préjudice. Cette garantie est  
valable au sein des territoires des États membres de l'Union  
Européenne et au sein de la Zone européenne de libre-  
échange.

Pour prétendre à la garantie, la réclamation doit être conforme  
aux conditions générales de Black & Decker et vous devez  
fournir une preuve d'achat au vendeur ou au réparateur agréé.  
Les conditions générales de la garantie de 2 ans Black &  
Decker ainsi que l'adresse du réparateur agréé le plus proche  
sont disponibles sur le site Internet [www.2helpU.com](http://www.2helpU.com) ou en  
contactant votre agence Black & Decker locale à l'adresse  
indiquée dans ce manuel :

Veuillez consulter notre site Internet [www.blackanddecker.co.uk](http://www.blackanddecker.co.uk) pour enregistrer votre nouveau produit Black & Decker  
et pour être tenu informé des nouveaux produits et offres  
spéciales.

**Uso previsto**

I tagliabordi BESTA525, BESTA528 e BESTA530 BLACK+DECKER sono progettati per rifinire i bordi di prati e per tagliare l'erba in spazi limitati. Questi utensili sono destinati esclusivamente all'uso privato.

**Istruzioni di sicurezza**

**Avvertenza!** Quando si usano utensili alimentati a corrente, osservare sempre le normali precauzioni di sicurezza per ridurre il rischio di incendio, scosse elettriche, lesioni personali e danni materiali.

**Avvertenza!** Quando si usa l'elettrotroutensile osservare le norme di sicurezza.

Prima di usare l'elettrotroutensile leggere le presenti istruzioni per proteggere la propria incolumità e quella delle altre persone presenti.

Conservare le istruzioni in un luogo sicuro per futura consultazione.

- ◆ Leggere attentamente il presente manuale prima di usare l'elettrotroutensile.
- ◆ L'uso previsto è descritto nel presente manuale.
- ◆ Se questo elettrotroutensile viene utilizzato con accessori o per impieghi diversi da quelli raccomandati nel presente manuale, si potrebbero verificare lesioni personali.
- ◆ Conservare il presente manuale per future consultazioni.

**Utilizzo dell'elettrotroutensile**

Prestare sempre attenzione quando si usa l'elettrotroutensile.

- ◆ Indossare sempre occhiali di sicurezza.
- ◆ Non permettere mai di utilizzare l'elettrotroutensile a bambini e adulti che non abbiano letto le istruzioni d'uso.
- ◆ Non usare mai l'elettrotroutensile se ci sono persone (in particolare **bambini**) o animali domestici nelle vicinanze.
- ◆ Prestare la massima attenzione quando si usa l'elettrotroutensile con bambini presenti nelle vicinanze.
- ◆ Questo elettrotroutensile non è destinato all'uso da parte di ragazzi o persone inferme, senza supervisione.
- ◆ Questo elettrotroutensile non deve essere usato come un giocattolo.
- ◆ Usare l'elettrotroutensile solo alla luce del giorno o con una buona illuminazione artificiale.
- ◆ Evitare di utilizzare la macchina in condizioni meteorologiche avverse specialmente quando sussiste il rischio di fulmini.
- ◆ Se l'elettrotroutensile comincia a vibrare in modo anomalo o se si colpisce un oggetto estraneo, spegnerlo e scollegare la spina dalla presa di corrente. Controllare se l'elettrotroutensile presenta danni, sostituire o riparare le parti danneggiate, verificare che non vi siano parti allentate ed eventualmente serrarle.
- ◆ Usare solo in un luogo asciutto. Evitare che l'elettrotroutensile si bagni.
- ◆ Non immergere l'elettrotroutensile in acqua.
- ◆ Non aprire il corpo dell'elettrotroutensile, dato che al suo interno non sono

presenti componenti riparabili da parte dell'utilizzatore.

- ◆ Evitare di impiegare questo elettrotensile in ambienti esposti al rischio di esplosione, ad esempio in presenza di liquidi, gas o polveri infiammabili.
- ◆ Per ridurre il rischio di danni a spine o cavi, non tirare mai il cavo di alimentazione per scollegare la spina da una presa.

## Sicurezza altrui

- ◆ Non permettere mai di utilizzare l'elettrotensile a **bambini**, persone con capacità fisiche, sensoriali o mentali ridotte, mancanza di esperienza e di conoscenze o che non abbiano familiarità con le presenti istruzioni d'uso. Le normative locali potrebbero limitare l'età dell'operatore.
- ◆ I bambini non devono giocare con l'apparecchio.
- ◆ Gli interventi di pulizia e manutenzione da parte dell'utilizzatore non devono essere eseguiti da bambini senza supervisione.

## Rischi residui

L'utilizzo dell'elettrotensile può comportare rischi residui non necessariamente riportati nelle presenti avvertenze di sicurezza. Tali rischi possono sorgere a seguito di un uso prolungato o improprio, ecc. Malgrado il rispetto delle norme di sicurezza pertinenti e l'implementazione di dispositivi di sicurezza, alcuni rischi

residui non possono essere evitati. Sono inclusi:

- ◆ lesioni causate o subite a seguito del contatto con parti rotanti/in movimento;
- ◆ lesioni causate o subite durante la sostituzione di parti, lame o accessori;
- ◆ lesioni causate dall'impiego prolungato di un elettrotensile (quando si utilizza qualsiasi utensile per lunghi periodi, accertarsi di fare regolarmente delle pause);
- ◆ menomazioni uditive;
- ◆ rischi per la salute causati dall'aspirazione di polvere generata dall'utilizzo dell'elettrotensile (ad esempio quando si lavora con il legno, in modo particolare quello di quercia, faggio o l'MDF).

## Vibrazioni

I valori dichiarati delle emissioni di vibrazioni, indicati nei dati tecnici e nella dichiarazione di conformità del presente manuale, sono stati misurati in base al metodo di test standard previsto dalla normativa EN50636 e possono essere usati come paragone tra un attrezzo e un altro. Il valore delle emissioni di vibrazioni dichiarato può anche essere usato come valutazione preliminare dell'esposizione.

**Avvertenza!** Il valore delle emissioni di vibrazioni durante l'impiego effettivo dell'elettrotensile può variare da quello dichiarato a seconda delle modalità d'uso. Il livello delle vibrazioni può aumentare oltre quello dichiarato.



Quando si valuta l'esposizione alle vibrazioni per determinare le misure di sicurezza richieste dalla normativa 2002/44/CE destinata alla protezione delle persone che utilizzano regolarmente elettrodomestici per lo svolgimento delle proprie mansioni, è necessario prendere in considerazione le condizioni effettive di utilizzo e il modo in cui l'elettrodomestico viene usato, oltre che tenere conto di tutte le componenti del ciclo operativo, vale a dire i periodi in cui l'elettrodomestico rimane spento, quelli in cui è acceso ma fermo e quelli in cui viene effettivamente utilizzato.

## Dopo l'uso

- ◆ Quando non viene usato, l'elettrodomestico deve essere conservato in un luogo asciutto e ben ventilato, fuori dalla portata dei bambini.
- ◆ Non lasciare che bambini abbiano accesso agli elettrodomestici stoccati.
- ◆ Se viene conservato o trasportato a bordo di un veicolo, l'elettrodomestico deve essere messo nel bagagliaio o legato per evitare che si sposti in caso di cambiamento repentino della velocità o della direzione di marcia.

## Ispezione e riparazioni

- ◆ Prima dell'uso, verificare che l'elettrodomestico non sia danneggiato e non presenti parti difettose. Controllare che non vi siano parti rotte o altre condizioni che potrebbero avere ripercussioni sulle prestazioni.

- ◆ Non usare l'elettrodomestico se alcune parti sono danneggiate o difettose.
- ◆ Far riparare o sostituire le parti danneggiate o difettose da un tecnico autorizzato.
- ◆ Non tentare di smontare o sostituire alcuna parte, ad eccezione di quelle specificate nel presente manuale.

## Altre precauzioni di sicurezza per i decespugliatori

**Avvertenza!** I fili da taglio continuano a girare dopo lo spegnimento del motore.

- ◆ Imparare bene i comandi e come usare in modo appropriato l'elettrodomestico.
- ◆ Prima dell'uso, controllare che il filo di alimentazione e il cavo di prolunga non presentino segni di danni, invecchiamento e usura. Se il filo di alimentazione subisce danni durante l'uso, scollegarlo immediatamente dalla presa di corrente. **NON TOCCARE IL FILO DI ALIMENTAZIONE PRIMA DI AVERLO SCOLLEGATO DALLA PRESA DI CORRENTE.**
- ◆ Non usare l'elettrodomestico se i cavi di alimentazione sono danneggiati o usurati.
- ◆ Prima di usare l'elettrodomestico e dopo ogni impatto, controllare che non vi siano segni di usura o danni e ripararlo se necessario.
- ◆ Verificare sempre che le fessure di ventilazione siano mantenute pulite e prive di impurità.

- ◆ Indossare scarpe o stivali robusti per proteggere i piedi.
- ◆ Indossare calzoni lunghi per proteggere le gambe.
- ◆ Prima di iniziare a usare l'elettrotensile, controllare che lungo il percorso in cui si deve lavorare, non siano presenti bastoncini, pietre, fili elettrici e altri ostacoli.
- ◆ Usare l'elettrotensile solo in posizione verticale e con il filo da taglio vicino a terra. Non accendere mai l'elettrotensile in qualsiasi altra posizione.
- ◆ Mantenersi sempre saldi sui piedi e bene equilibrati, evitando di sporgersi. Mantenere sempre un buon equilibrio, camminare e non correre mai.
- ◆ Non lavorare su pendii ripidi. Lavorare trasversalmente su di un pendio e mai procedendo verticalmente in su e in giù.
- ◆ Durante l'uso dell'elettrotensile spostarsi lentamente. Ricordare che l'erba appena tagliata è umida e scivolosa.
- ◆ Non attraversare mai strade o sentieri coperti di ghiaia con l'elettrotensile acceso.
- ◆ Non toccare le parti in movimento pericolose finché l'elettrotensile non sia stato scollegato dalla corrente e tali parti non si siano arrestate completamente.
- ◆ Non toccare mai il filo da taglio quando l'elettrotensile è in funzione.
- ◆ Non appoggiare a terra l'elettrotensile fino a quando il filo da taglio non si è completamente arrestato.
- ◆ Usare solo il tipo di filo da taglio corretto. Non usare mai filo da taglio in metallo o una lenza.
- ◆ Prestare attenzione a non toccare la lama di tranciatura del filo.
- ◆ Prestare attenzione a tenere sempre lontano il filo di alimentazione da quello da taglio. Essere sempre consapevoli di dove si trova il filo di alimentazione.
- ◆ Tenere sempre mani e piedi lontani dal filo da taglio, in modo particolare quando si accende il motore.
- ◆ Non mettere mai in funzione l'elettrotensile con le protezioni danneggiate o smontate.
- ◆ Proteggersi da eventuali lesioni che potrebbero essere causate dai dispositivi montati per la tranciatura di una lunghezza di filo da taglio. Dopo aver srotolato una nuova lunghezza di filo da taglio, riportare sempre l'elettrotensile nella normale posizione di funzionamento prima di accenderlo.
- ◆ Non usare il tosaerba (tagliabordi) se i cavi di alimentazione sono danneggiati o usurati.
- ◆ Tenere i cavi di prolunga lontano dagli elementi da taglio.

## Sicurezza elettrica



Il doppio isolamento di cui è provvisto l'elettrotensile rende superfluo il filo di terra. Assicurarsi che la tensione della rete di alimentazione corrisponda al valore indicato sulla targhetta dei valori nominali.

- ◆ Per prevenire pericoli, i cavi di alimentazione danneggiati devono essere sostituiti dal produttore o da un centro di assistenza BLACK+DECKER.
- ◆ La sicurezza elettrica può essere ulteriormente aumentata utilizzando un interruttore differenziale (RCD) ad alta sensibilità (30 mA).

## Utilizzo di un cavo di prolunga

Usare sempre un cavo di prolunga di tipo omologato, idoneo all'assorbimento di corrente di questo elettrotensile (vedere i dati tecnici). Il cavo di prolunga deve essere idoneo per impiego all'esterno e deve essere opportunamente contrassegnato. È possibile usare un cavo di prolunga lungo fino a 30 m con diametro di 1,5 mm<sup>2</sup> HO5VV-F senza perdita alcuna delle prestazioni del prodotto. Prima dell'impiego, ispezionare il cavo di prolunga per accertarsi che non presenti segni di danni, usura o invecchiamento. 96 Sostituire il cavo di prolunga se è danneggiato o difettoso. Se si usa un mulinello, svolgere sempre completamente il cavo.

## Etichette sull'elettrotensile

Sull'elettrotensile sono presenti i seguenti simboli, insieme al codice data:



**Avvertenza!** Leggere il manuale prima dell'utilizzo.



Indossare occhiali di sicurezza quando si usa l'elettrotensile.



Indossare otoprotezioni idonee quando si usa l'elettrotensile.



Estrarre sempre la spina dalla presa di corrente prima di ispezionare un filo di alimentazione danneggiato. Fare attenzione a non adoperare il tagliabordi se il filo di alimentazione è danneggiato.



Fare attenzione agli oggetti lanciati in aria. Tenere gli osservatori lontani dalla zona di taglio.



Non esporre l'elettrotensile alla pioggia o a un'umidità intensa.



Livello di pressione acustica garantito ai sensi della Direttiva 2000/14/CE.

## Caratteristiche

Questo elettrotensile presenta alcune o tutte le seguenti caratteristiche.

1. Interruttore di accensione/spegnimento
2. Fermacavo
3. Connettore del cavo di alimentazione
4. Impugnatura ausiliaria
5. Collare
6. Alloggiamento motore
7. Ruota della guida di bordatura (solo nei modelli BESTA528 e BESTA530)
8. Protezione
9. Bobina

## Assemblaggio

**Avvertenza!** Prima di assemblare l'elettrotensile, assicurarsi che sia spento e scollegato dalla presa di corrente.

## Montaggio della protezione (Figg. A e B)

- ◆ Capovolgere il tagliabordi in modo da vedere la bobina (9).
- ◆ Rimuovere le vite dalla protezione con un cacciavite a stella (non fornito).
- ◆ Capovolgere la protezione (8) e farla scorrere all'interno dell'alloggiamento del motore (6). Accertarsi che le

linguette (10) sulla protezione si aggancino alle nervature (11) sull'alloggiamento del motore come mostrato nella Fig. A. La linguetta di blocco (25) deve essere inserita nell'apposito foro (26).

- ◆ Fare scorrere la protezione fino a quando scatta in sede.
- ◆ Inserire la vite di fissaggio della protezione e serrarla saldamente come mostrato nella Fig. B, per completare il montaggio della protezione.
- ◆ Una volta installata la protezione, rimuovere la copertura dalla lama del filo di taglio situata sull'estremità della protezione.

**Avvertenza!** Non usare mai l'elettrotensile senza la protezione montata correttamente.

### Montaggio dell'impugnatura ausiliaria (Figg. C, D ed E)

- ◆ Per montare l'impugnatura (4), premere verso l'interno i pulsanti (12) su entrambi i lati dell'alloggiamento superiore, come mostrato nella Fig. C.
- ◆ Posizionare l'impugnatura come illustrato nella Fig. D, facendo combaciare il lato scanalato dell'impugnatura con il pulsante scanalato. Spingere parzialmente l'impugnatura in modo tale da fermare i pulsanti quando li si rilascia con la mano.
- ◆ Spingere l'impugnatura completamente sull'alloggiamento e posizionarla leggermente finché non scatta in posizione (Fig. E).
- ◆ Per regolare l'impugnatura verso l'alto o il basso, premere il pulsante (13) verso l'interno e alzare o abbassare l'impugnatura.
- ◆ L'impugnatura deve essere regolata in modo tale che il braccio dell'utilizzatore sia disteso quando i tagliabordi si trova nella posizione operativa.

### Regolazione dell'altezza (Fig. F)

- ◆ L'altezza complessiva dei tagliabordi può essere regolata allentando il collare regolabile (5) e ruotandolo nella direzione della freccia mostrata nella Fig. G.
- ◆ Spostare l'alloggiamento superiore verso l'alto o il basso. Quando si raggiunge l'altezza desiderata, serrare il collare ruotandolo nella direzione opposta indicata nella Fig. F.

### Collegamento del cavo di prolunga (Fig. G)

Nell'impugnatura con l'interruttore è integrato un fermacavo (2) per il cavo di prolunga che ne impedisce il distacco accidentale.

- ◆ Per utilizzare questo dispositivo è sufficiente raddoppiare il cavo a circa 203 mm dall'estremità e inserirlo nell'apertura (14) all'estremità dell'area dell'impugnatura, come illustrato nella Fig. G.
- ◆ Agganciare il cappio formato raddoppiando il cavo sulla linguetta (2). Tirare delicatamente il cavo per assicurare

che sia incastrato saldamente nell'impugnatura dei tagliabordi.

- ◆ Collegare la spina del cavo di prolunga alla presa per il cavo di alimentazione (3) dei tagliabordi.

### Rilascio del filo da taglio

Durante il trasporto, il filo da taglio è fissato sull'alloggiamento della bobina con del nastro adesivo.

**Avvertenza!** Prima del montaggio, scollegare l'elettrotensile dalla presa di corrente.

- ◆ Staccare il nastro adesivo che fissa il filo da taglio sull'alloggiamento della bobina.
- ◆ Per le istruzioni su come rimuovere la bobina, consultare la sezione "Sostituzione della bobina".

### Posizionamento corretto delle mani

La posizione corretta delle mani richiede una mano sull'impugnatura principale, e l'altra mano sull'impugnatura ausiliaria (4).

### Accensione e spegnimento

Per accendere l'elettrotensile, premere il grilletto di azionamento (1).

Per spegnere l'elettrotensile, rilasciare il grilletto.

### Funzionamento dei tagliabordi

- ◆ Accendere l'elettrotensile e, dopo averlo inclinato, farlo oscillare da un lato all'altro come illustrato nella Fig. H.
- ◆ Mantenere un angolo di taglio di 5°-10°, come mostrato nella Fig. J. Non inclinare l'elettrotensile più di 10° (Fig. J). Tagliare con l'estremità del filo. Per mantenere la distanza dalle superficie dure servirsi della rotellina per bordi (7).
- ◆ Mantenere una distanza minima di 600 mm tra la protezione e i piedi dell'utilizzatore, come illustrato nella Fig. I. Per ottenere questa distanza regolare l'altezza complessiva dei tagliabordi come illustrato nella Fig. F.

### Conversione alla modalità di bordatura (Fig. K)

L'elettrotensile può essere usato nella modalità di taglio o di bordatura per tagliare l'erba sporgente lungo i bordi del prato o delle aiuole.

**Avvertenza!** Estrarre la spina dalla presa di corrente prima di regolare l'elettrotensile.

**Avvertenza!** Quando il tagliabordi viene utilizzato nella modalità di bordatura, il filo può colpire pietre, pezzi di metallo e altri oggetti lanciandoli in aria ad alta velocità. Il tagliabordi e la protezione sono progettati per ridurre i rischi; tuttavia, **ACCERTARSI** che persone e animali domestici rimangano ad almeno 30 m di distanza.

- ◆ Per il funzionamento in modalità bordatura, ruotare il collare (5) come mostrato nella Fig. K.

- ◆ Tenere l'albero di metallo e ruotare l'alloggiamento inferiore a 180°, come illustrato nella Fig. K.
- ◆ Ruotare nuovamente il collare fino a stringerlo.

**Nota:** l'albero di metallo può ruotare solo in una direzione.

- ◆ Tornare alla posizione di tranciatura allentando il collare di blocco e ruotando nuovamente l'alloggiamento inferiore di 180°.

## Bordatura (Fig. L)

Per ottenere risultati ottimali tagliare i bordi quando l'erba è più alta di 50 mm. Non utilizzare questo tagliabordi per creare argini.

- ◆ Servendosi della ruota della guida di bordatura (7), guidare il tagliabordi come mostrato nella Fig. L.
- ◆ Posizionare la ruota della guida di bordatura sul cordolo di un marciapiede o su una superficie abrasiva in modo che il filo da taglio sia sopra l'erba o l'area non pavimentata da tagliare.

**Nota:** il sistema di alimentazione automatica potrebbe non funzionare correttamente se la guida di bordatura a ruota non viene utilizzata.

**Nota:** se la ruota della guida di bordatura viene posizionata troppo vicino a un cordolo con il filo da taglio sopra un marciapiede o una superficie abrasiva, il filo da taglio si usurerà più rapidamente del normale.

- ◆ Per eseguire un taglio più ravvicinato, inclinare leggermente il tagliabordi.
- ◆ Tornare alla posizione di tranciatura allentando il collare di blocco e ruotando nuovamente l'alloggiamento inferiore di 180°. L'elettrotensile si bloccherà nella posizione di tranciatura.

## Filo da taglio / Alimentazione del filo

Il tagliabordi utilizza un filo in nylon TONDO con di diametro 1,65 mm. Durante l'uso, le punte dei fili di nylon si consumano e logorano e la speciale bobina ad alimentazione automatica fornirà automaticamente e taglierà una nuova lunghezza di filo. Il filo da taglio si usura più rapidamente e deve essere alimentato più di frequente se la tosatura o bordatura viene eseguita lungo i marciapiedi o altre superfici abrasive oppure se si stanno tagliando erbacce folte. Il meccanismo automatico avanzato di alimentazione del filo avverte quando è necessario più filo e alimenta e rifa la lunghezza corretta del taglio ogni volta che è necessario. Non urtare il tagliabordi in terra nel tentativo di alimentare il filo o per qualsiasi altro scopo.

## Consigli utili per il taglio

- ◆ Utilizzare la punta del filo per fare il taglio; non forzare la testa del filo nell'erba non tagliata.
- ◆ I recinti di filo spinato e le staccionate causano un'ulteriore usura del filo, e persino la rottura. I muri di pietra e

mattoni, i cordoli, e il legno possono causare l'usura rapida del filo.

- ◆ Non lasciare che il coperchio della bobina si trascini per terra o su altre superfici.
- ◆ Nella crescita lunga tagliare dall'alto verso il basso e non superare i 300 mm di altezza.
- ◆ Mantenere il tagliabordi inclinato verso l'area da tagliare; questa è la zona di taglio ottimale.
- ◆ Il tagliabordi taglia quando l'unità passa da destra a sinistra. Questo consente di evitare che i detriti vengano scagliati contro l'operatore.
- ◆ Evitare alberi e arbusti. La corteccia degli alberi, le modanature in legno, i rivestimenti e i pali di recinzione possono essere facilmente danneggiati dal filo.

## Sostituzione della bobina (Figg. M, N, O, P)

**Avvertenza!** Per ridurre il rischio di gravi lesioni personali, spegnere l'elettrotensile e staccare la spina dalla presa di corrente prima di eseguire qualsiasi regolazione o rimozione/ installazione di dotazioni o accessori. Un avvio accidentale potrebbe provocare lesioni a persone.

- ◆ Tenere premute le linguette (15) e staccare il coperchio della bobina (25) dall'alloggiamento bobina (16) nella testa del tagliabordi (Fig. M).
- ◆ Per ottenere i migliori risultati, sostituire la bobina con l'accessorio BLACK+DECKER modello n. A6481.
- ◆ Afferrare la bobina vuota con una mano e l'alloggiamento della bobina con l'altra ed estrarre la bobina.
- ◆ Se la leva (17) (Fig. N) alla base dell'alloggiamento esce di sede, riposizionarla correttamente prima di inserire la nuova bobina nell'alloggiamento.
- ◆ Eliminare l'eventuale sporcizia ed erba dalla bobina e dall'alloggiamento.
- ◆ Svolgere l'estremità del filo da taglio e infilarla nell'occhiello (19) (Fig. O).
- ◆ Prendere una nuova bobina e calzarla sul tronchetto (18) nell'alloggiamento (Fig. N). Ruotare leggermente la bobina fino a quando è installata in sede. Il filo dovrebbe sporgere di circa 136 mm circa dall'alloggiamento.
- ◆ Allineare le linguette sul coperchio della bobina alle scanalature (20) nell'alloggiamento (Fig. P).
- ◆ Premere il coperchio sull'alloggiamento fino a quando si aggancia saldamente in sede.

**Avvertenza!** Per evitare danni, se il filo da taglio sporge oltre la lama di tranciatura, tagliarlo in modo che raggiunga appena la lama.

## Riavvolgimento della bobina dal filo in matassa (Figg. Q, R e S)

Le bobine di filo da taglio di ricambio sono reperibili presso il proprio rivenditore BLACK+ DECKER. Sono anche disponibili confezioni con 3 bobine di filo da taglio.

- ◆ Scollegare l'elettrotensile dalla corrente.

- ◆ Estrarre la bobina vuota dai tagliabordi, come descritto nella sezione "SOSTITUZIONE DELLA BOBINA".
- ◆ Rimuovere l'eventuale filo da taglio rimanente dalla bobina.
- ◆ Fare un cappio all'estremità del filo da taglio a circa 19 mm (21). Infilare il filo da taglio in uno degli intagli di ancoraggio nella bobina (22), come illustrato nella Fig. Q.

**Nota:** prestare attenzione a non lasciare che il filo sulla bobina si srotoli. Tenerlo sempre saldamente fermo con una mano.

- ◆ Inserire l'estremità di 19 mm del filo in matassa nel foro (23) nella bobina adiacente all'intaglio, come mostrato nella Fig. R. Assicurarsi che il filo sia teso contro la bobina, come mostrato nella Fig. S.
- ◆ Avvolgere il filo da taglio sulla bobina nella direzione della freccia sulla bobina stessa. Accertarsi che il filo sia avvolto in modo accurato e a strati. Non incrociarlo (Fig. S).
- ◆ Quando il filo da taglio avvolto raggiunge le gole (24), tagliarlo. (Fig. R).
- ◆ Inserire la bobina nei tagliabordi come descritto nella sezione "SOSTITUZIONE DELLA BOBINA".

**Avvertenza!** Prima di iniziare a tagliare, procurarsi il corretto tipo di filo da taglio.

## Ricerca guasti

Se l'elettrotensile non dovesse funzionare correttamente, seguire le istruzioni riportate di seguito. Nel caso in cui non sia comunque possibile risolvere il problema, rivolgersi al tecnico BLACK+DECKER di zona.

**Avvertenza!** Prima di procedere, scollegare l'elettrotensile dalla presa di corrente.

## L'elettrotensile funziona lentamente

- ◆ Controllare che l'alloggiamento della bobina possa ruotare liberamente. Pulirlo con attenzione se necessario.
- ◆ Controllare che il filo da taglio non sporga più di circa 136mm dall'alloggiamento della bobina. In caso affermativo, tagliarlo in modo che raggiunga appena la lama di trancitura del filo da taglio.

## Se l'alimentazione automatica del filo non funziona

- ◆ Rimuovere il coperchio della bobina.
- ◆ Tirare il filo da taglio fino a quando sporge circa 136 mm dalla bobina. Se sulla bobina è rimasta una quantità insufficiente di filo da taglio, montarne una nuova come descritto in precedenza.
- ◆ Assicurarsi che il filo non sia incrociato sulla bobina, come mostra la Fig. S. Se il filo è srotolato, avvolgerlo nuovamente sulla bobina in modo ordinato, prestando attenzione a non incrociarlo.
- ◆ Controllare che la parte iniziale filo da taglio sia ben tirata contro la bobina, come mostrato nella Fig. S.

- ◆ Allineare le linguette sul coperchio della bobina alle sfinestrature nell'alloggiamento.
- ◆ Premere il coperchio della bobina sull'alloggiamento fino a quando si aggancia saldamente in sede.
- ◆ Se il filo da taglio sporge oltre la lama di trancitura, tagliarlo in modo che raggiunga appena la lama. Se l'alimentazione automatica del filo continua a non funzionare, oppure se la bobina è inceppata, provare uno dei seguenti suggerimenti:
  - ◆ Pulire con attenzione il coperchio e l'alloggiamento della bobina.
  - ◆ Rimuovere la bobina e controllare che la leva nell'alloggiamento della bobina possa muoversi liberamente.
  - ◆ Rimuovere la bobina, srotolare il filo da taglio e quindi riavvolgerlo in modo ordinato. Riposizionare la bobina nell'alloggiamento.

## Manutenzione

Questo apparecchio/elettrotensile BLACK+DECKER, con o senza filo, è stato progettato per funzionare a lungo con una manutenzione minima. Per ottenere prestazioni sempre soddisfacenti occorre avere cura dell'elettrotensile e sottoporlo a pulizia periodica.

Il caricabatterie non richiede nessuna manutenzione, salvo una regolare pulizia.

**Avvertenza!** Prima di eseguire interventi di manutenzione su elettrotensili con o senza filo procedere come descritto di seguito.

- ◆ Spegnerne e scollegare l'apparecchio/elettrotensile dalla presa elettrica.
- ◆ Oppure spegnere ed estrarre la batteria, se l'apparecchio/elettrotensile è dotato di una batteria separata.
- ◆ Oppure scaricare completamente la batteria se è di tipo integrale e quindi spegnerlo.
- ◆ Scollegare il caricabatterie dalla spina prima di pulirlo. Il caricabatterie non richiede nessuna manutenzione, salvo una regolare pulizia.
- ◆ Pulire regolarmente le prese di ventilazione dell'elettrotensile e dell'alimentatore con un pennello o con un panno morbido e asciutto.
- ◆ Il vano del motore deve essere pulito regolarmente con un panno umido. Non usare materiali abrasivi o detergenti a base di solventi.
- ◆ Pulire regolarmente il filo da taglio e la bobina con un pennello o un panno morbido e asciutto.
- ◆ Usare regolarmente un raschietto non affilato per eliminare erba e sporcizia dalla parte inferiore della protezione.

## Protezione dell'ambiente



Raccolta differenziata. I prodotti e le batterie contrassegnati con questo simbolo non devono essere smaltiti insieme ai normali rifiuti domestici

Essi contengono materiali che possono essere recuperati o riciclati, riducendo la richiesta di materie prime.

Riciclare i prodotti elettrici e le batterie attenendosi alle disposizioni locali vigenti. Ulteriori informazioni sono disponibili all'indirizzo [www.2helpU.com](http://www.2helpU.com).

## Dati tecnici

		BESTA525 Tipo 1	BESTA528 Tipo 1	BESTA530 Tipo 1
Tensione	$V_{AC}$	230	230	230
Potenza assorbita	W	450	550	550
Velocità in assenza di carico	min <sup>-1</sup>	7500	7500	7500
Peso	kg	2,4	2,4	2,4

Livello di pressione sonora del modello:	
Pressione sonora ( $L_{pA}$ )	81 dB(A), incertezza (K) 3 dB(A)
Potenza acustica ( $L_{WA}$ )	93 dB(A), incertezza (K) 2,6 dB(A)

Valori totali di vibrazione (somma vettoriale triassiale) in base alla norma EN 50636-2-91 relativi al modello:	
Valore emissioni vibrazioni ( $a_{v}$ )	4,9 m/s <sup>2</sup> , incertezza (K) 1,7 m/s <sup>2</sup>

## Dichiarazione di conformità CE

DIRETTIVA MACCHINE  
DIRETTIVA SULLA RUMOROSITÀ ESTERNA



Tagliabordi BESTA525, BESTA528, BESTA530

Black&Decker dichiara che i prodotti descritti al paragrafo "Dati tecnici" sono conformi alle seguenti normative:  
2006/42/CE, EN60335-1:2012, A11:2014,  
EN 50636-2-91:2014

2000/14/CE, Tagliabordi,  $L \leq 50$  cm, Allegato VI  
DEKRA Certification B.V., Utrechtseweg 1051 / P.O. Box 5185  
6825 MJ ARNHEM / 6802 ED ARNHEM, Paesi Bassi  
ID ente notificato n.: 0344

Livello di potenza acustica misurato in base a 2000/14/CE  
(Articolo 12, Allegato III,  $L \leq 50$  cm):  
 $L_{WA}$  (pressione sonora misurata) 93 dB(A)  
Incertezza = 3 dB(A)  
 $L_{WA}$  (pressione sonora garantita) 96 dB(A)

Questi prodotti sono conformi alla Direttiva 2014/30/UE e 2011/65/UE. Per maggiori informazioni contattare Black&Decker al seguente indirizzo oppure consultare l'ultima di copertina del manuale.

Il sottoscritto è responsabile della redazione di questo documento tecnico e rilascia questa dichiarazione per conto di Black&Decker.

R. Laverick  
Direttore tecnico  
Black&Decker Europe, 210 Bath Road, Slough,  
Berkshire, SL1 3YD  
Regno Unito  
14/12/2017

## Garanzia

Black&Decker è certa della qualità dei propri prodotti e offre ai consumatori una garanzia di 24 mesi dalla data di acquisto. Il presente certificato di garanzia è complementare ai diritti legali e non li pregiudica in alcun modo. La garanzia è valida sui territori degli Stati membri dell'Unione Europea e dell'EFTA (Associazione europea di libero scambio).

Per attivare la garanzia, il reclamo deve essere effettuato in accordo con i Termini e Condizioni Black&Decker e sarà necessario presentare la prova di acquisto al venditore o all'agente di riparazione autorizzato. I Termini e condizioni della garanzia Black&Decker di 2 anni e la sede del tecnico riparatore autorizzato più vicino sono consultabili su Internet all'indirizzo [www.2helpU.com](http://www.2helpU.com), o contattando l'ufficio Black&Decker di zona all'indirizzo indicato nel presente manuale:

Visitare il nostro sito [www.blackanddecker.co.uk](http://www.blackanddecker.co.uk) per registrare il nuovo prodotto Black&Decker e ricevere gli aggiornamenti sui nuovi prodotti e le offerte speciali.

## Bedoeld gebruik

De BLACK+DECKER-heggenscharen van het type BESTA525, BESTA528, BESTA530 zijn ontworpen voor het maaien en afwerken van gazonranden en voor het maaien van gras in beperkte ruimten. Deze machines zijn uitsluitend bestemd voor gebruik door consumenten.

## Veiligheidsinstructies

**Waarschuwing!** Bij machines voor gebruik op netspanning moeten bepaalde elementaire voorzorgsmaatregelen, waaronder de navolgende, in acht worden genomen zodat het gevaar voor brand, elektrische schok, persoonlijk letsel en materiële schade tot een minimum kan worden beperkt.

**Waarschuwing!** De veiligheidsregels moeten worden opgevolgd wanneer u de machine gebruikt.

Lees voor uw eigen veiligheid en de veiligheid van omstanders deze instructies voordat u de machine gebruikt.

Bewaar de instructies voor later gebruik.

- ◆ Lees deze handleiding aandachtig geheel door voordat u de machine in gebruik neemt.
- ◆ In deze handleiding wordt het bedoeld gebruik beschreven.
- ◆ Het gebruik van accessoires of hulpstukken of de uitvoering van handelingen met deze machine anders dan in deze gebruikershandleiding worden aanbevolen, kan een risico van persoonlijk letsel geven.
- ◆ Bewaar deze handleiding zorgvuldig zodat u deze altijd nog eens kunt raadplegen.

## Gebruik van de machine

Ga bij gebruik van de machine altijd voorzichtig te werk.

- ◆ Gebruik altijd een veiligheidsbril of oogbescherming.
- ◆ Laat nooit kinderen of personen die onbekend zijn met de instructies voor de machine, met de machine werken.
- ◆ Werk nooit met de machine terwijl er mensen, en vooral niet **kinderen** of huisdieren, dicht bij u in de buurt zijn.
- ◆ Houd vooral streng toezicht wanneer de machine in de buurt van kinderen wordt gebruikt.
- ◆ Deze machine mag niet zonder toezicht door jonge of lichamelijk zwakke mensen worden gebruikt.
- ◆ Deze machine mag niet als speelgoed worden gebruikt.
- ◆ Gebruik de machine alleen bij daglicht of goed kunstlicht.
- ◆ Als de machine abnormaal begint te trillen of als u een vreemd voorwerp hebt geraakt, schakelt u de machine uit en verwijdert u de stekker uit het stopcontact. Controleer de machine op beschadigingen, vervang of repareer beschadigde onderdelen, controleer of er onderdelen loszitten en draai deze vast.
- ◆ Gebruik de machine niet bij slechte weersomstandigheden, vooral niet wanneer er onweer dreigt.
- ◆ Gebruik de machine alleen op een droge locatie. Laat de machine niet nat worden.
- ◆ Dompel de machine niet onder in water.



- ◆ Open de behuizing niet. De machine bevat geen onderdelen die door de gebruiker kunnen worden gerepareerd.
- ◆ Gebruik de machine niet in een omgeving met explosiegevaar, zoals in de nabijheid van brandbare vloeistoffen, gassen of stof.
- ◆ Haal de stekker nooit uit het stopcontact door aan de kabel te trekken. Zo voorkomt u beschadiging aan de stekker of de kabel.

veiligheidsvoorzieningen worden gebruikt, kunnen bepaalde risico's niet worden uitgesloten. Dit zijn onder meer:

- ◆ Verwondingen die worden veroorzaakt door het aanraken van draaiende of bewegende onderdelen.
- ◆ Verwondingen die worden veroorzaakt bij het vervangen van onderdelen, bladen of accessoires.
- ◆ Verwondingen die worden veroorzaakt door langdurig gebruik van gereedschap.
- ◆ Wanneer u langere periodes met gereedschap werkt, kunt u het beste regelmatig een pauze nemen.
- ◆ Gehoorbeschadiging.
- ◆ Gezondheidsrisico's als gevolg van het inademen van stof dat door gebruik van het gereedschap wordt veroorzaakt (bijvoorbeeld tijdens het werken met hout, met name eiken, beuken en MDF).

## Veiligheid van anderen

- ◆ Laat nooit **kinderen**, personen met verminderde fysieke, zintuiglijke of mentale vermogens of met een gebrek aan ervaring en kennis of mensen die niet bekend zijn met deze instructies, de machine gebruiken, ter plaatse geldende bepalingen zullen mogelijk een minimale leeftijd van de gebruiker voorschrijven.
- ◆ Kinderen mogen niet met de machine spelen.
- ◆ Laat kinderen nooit zonder toezicht de machine schoonmaken of onderhouden.

## Overige risico's

Er kunnen zich bij het gebruik van dit gereedschap nog meer risico's voordoen, die mogelijk niet in de bijgesloten veiligheidswaarschuwingen worden beschreven. Deze risico's kunnen zich voordoen door onoordeelkundig gebruik, langdurig gebruik, enz.

Zelfs wanneer de veiligheidsvoorschriften in acht worden genomen en de

## Trillingen

De aangegeven waarden voor trillingsemisatie in de technische gegevens en de conformiteitverklaring, zijn gemeten conform een standaardtestmethode die door EN50636 wordt verstrekt. Hiermee kan het ene gereedschap met het andere worden vergeleken. De aangegeven waarde voor trillingsemisatie kan ook worden gebruikt bij een voorlopige bepaling van blootstelling.

**Waarschuwing!** De waarde voor trillingsemisatie tijdens het werkelijke

gebruik van het elektrisch gereedschap kan verschillen van de aangegeven waarde afhankelijk van de manieren waarop het gereedschap wordt gebruikt. Het trillingsniveau kan toenemen tot boven het aangegeven niveau.

Bij beoordeling van de blootstelling aan trillingen met het doel vast te stellen welke veiligheidsmaatregelen 2002/44/EG vereist ter bescherming van personen die tijdens hun werk regelmatig elektrisch gereedschap gebruiken, moet bij een inschatting van de blootstelling aan trillingen rekening worden gehouden met de werkelijke gebruiksomstandigheden en de manier waarop het gereedschap wordt gebruikt. Daarbij moet ook rekening worden gehouden met alle onderdelen van de bedrijfscyclus, zoals wanneer het gereedschap wordt uitgeschakeld en wanneer het gereedschap stationair loopt en ook de aanlooptijd.

## Na gebruik

- ◆ Bewaar de machine na gebruik op een droge, goed geventileerde plaats, buiten het bereik van kinderen.
- ◆ Berg machines op buiten bereik van kinderen.
- ◆ Wanneer de machine in de auto ligt, moet u deze in de kofferruimte plaatsen of goed vastzetten, zodat de machine niet kan wegschieten bij plotselinge veranderingen in snelheid of richting.

## Inspectie en reparaties

- ◆ Controleer de machine vóór gebruik op beschadigingen en defecten. Controleer de machine vooral op gebroken onderdelen en andere omstandigheden die de werking ervan kunnen beïnvloeden.
- ◆ Werk niet met de machine als een onderdeel beschadigd is of defect.
- ◆ Laat beschadigde of defecte onderdelen door een erkende reparateur repareren of vervangen.
- ◆ Probeer nooit andere onderdelen te verwijderen of te vervangen dan in deze handleiding worden vermeld.

## Aanvullende

### veiligheidsinstructies voor grastrimmers

**Waarschuwing!** Nadat u de motor hebt uitgeschakeld, blijven de maai-elementen draaien.

- ◆ Zorg ervoor dat u vertrouwd bent met de bedieningsfuncties en met het juiste gebruik van de machine.
- ◆ Controleer het netsnoer en het verlengsnoer vóór gebruik op tekenen van beschadiging, veroudering en slijtage. Als het netsnoer tijdens het gebruik wordt beschadigd, moet u onmiddellijk de stekker uit het stopcontact halen. **RAAK HET NETSNOER IN DAT GEVAL PAS AAN WANNEER DE STEKKER UIT HET STOPCONTACT IS.**
- ◆ Gebruik de machine niet wanneer het netsnoer beschadigd of versleten is.

- ◆ Controleer de machine op tekenen van slijtage of schade en repareer deze indien nodig, voordat u de machine gebruikt en nadat de machine ergens tegenaan is gestoten.
- ◆ Zorg er altijd voor dat de ventilatiesleuven niet verstopt raken.
- ◆ Draag stevige schoenen of laarzen ter bescherming van uw voeten.
- ◆ Draag ter bescherming van uw benen een lange broek.
- ◆ Controleer, voordat u de machine in gebruik neemt, dat het terrein dat u gaat maaien vrij van stokken, stenen, draad en andere obstakels is.
- ◆ Gebruik de machine alleen rechtop, met de snijdraad dicht bij de grond. Schakel de machine nooit in een andere stand in.
- ◆ Reik niet buiten uw macht en bewaar te allen tijde uw evenwicht. Zet altijd uw voeten goed neer, wandel maar ren nooit.
- ◆ Werk niet op steile hellingen. Werk dwars over het vlak van een helling, niet omhoog en omlaag.
- ◆ Verplaats u langzaam wanneer u de machine gebruikt. Bedenk dat vers gemaaid gras vochtig en glad is.
- ◆ Steek nooit grindpaden of wegen over wanneer de machine is ingeschakeld.
- ◆ Raak geen bewegende onderdelen aan voordat de stekker van de machine uit het stopcontact is getrokken en de gevaarlijke bewegende onderdelen volledig tot stilstand zijn gekomen.
- ◆ Raak nooit de snijdraad aan terwijl de machine in werking is.
- ◆ Leg de machine pas neer wanneer de snijdraad volledig tot stilstand is gekomen.
- ◆ Gebruik alleen het juiste type snijdraad. Gebruik nooit metalen snijdraad of visdraad.
- ◆ Let er goed op dat u het blad met de snijdraad niet aanraakt.
- ◆ Zorg ervoor dat het netsnoer uit de buurt van het snijdraad blijft. Zorg ervoor dat u altijd weet waar het snoer zich bevindt.
- ◆ Zorg ervoor dat u altijd uw handen en voeten uit de buurt van het snijdraad houdt, vooral wanneer u de motor inschakelt.
- ◆ Gebruik de machine nooit met beschadigde beschermkappen of zonder beschermkappen.
- ◆ Ga voorzichtig te werk zodat u zich niet verwondt aan het toestel waarmee de snijdraad op lengte wordt gemaakt. Nadat u een nieuwe snijdraad hebt uitgetrokken, moet u de machine pas weer inschakelen wanneer u de machine weer in de normale werkstand hebt gezet.
- ◆ Gebruik de gazontrimmer (randtrimmer) niet wanneer de snoeren beschadigd of versleten zijn.
- ◆ Houd verlengsnoeren uit de buurt van maai-elementen.

## Elektrische veiligheid



Deze machine is dubbel geïsoleerd, daarom is een aardeaansluiting niet vereist. Controleer altijd of de stroomvoorziening overeenkomt met de voltage op het typeplaatje.

- ◆ Als het netsnoer is beschadigd, moet dit worden vervangen door de fabrikant of een BLACK+DECKER-servicecentrum, zodat gevaarlijke situaties worden voorkomen.
- ◆ Met een zeer gevoelige reststroomschakelaar (een RCD (Residual Current Device) van 30 mA) kan de elektrische veiligheid verder worden verbeterd.

## Een verlengsnoer gebruiken

Gebruik altijd een goedgekeurd verlengsnoer dat geschikt is voor het ingangsvermogen van dit apparaat (zie de technische gegevens). Het verlengsnoer moet geschikt zijn voor gebruik buitenshuis en dient als zodanig te zijn gemarkeerd. Er kan een HO5VV-F verlengsnoer van 1,5 mm<sup>2</sup> van maximaal 30 m lang worden gebruikt zonder dat de prestaties van het apparaat afnemen. Controleer het verlengsnoer vóór gebruik op tekenen van beschadiging, slijtage of veroudering. Vervang het verlengsnoer indien het beschadigd of defect is. Als u een haspel gebruikt, moet u het snoer altijd volledig afrollen.

## Labels op de machine

Behalve de datumcode vindt u op de machine de volgende symbolen:



**Waarschuwing!** Lees de handleiding voordat u met de machine gaat werken.



Draag een veiligheidsbril of een stofbril wanneer u met deze machine werkt.



Draag goede gehoorbescherming wanneer u met deze machine werkt.



Trek altijd de stekker uit het stopcontact voordat u een beschadigd snoer inspecteert. Gebruik de trimmer niet als de kabel is beschadigd.



Wees bedacht op voorwerpen die worden weggeslingerd. Houd omstanders uit de buurt van uw werkgebied.



Stel de machine niet bloot aan regen of een hoge luchtvochtigheid.



Richtlijn 2000/14/EG gegarandeerd geluidsvermogen.

## Funcities

Deze machine heeft enkele van de volgende functies of allemaal.

1. Aan/Uit-schakelaar
2. Snoerhouder
3. Stekker voor netsnoer
4. Hulphandgreep
5. Kraag
6. Motorbehuizing
7. Randgeleidingswiel (alleen BESTA528 en BESTA530)
8. Beschermpak
9. Spoel

## Montage

**Waarschuwing!** Controleer voor de montage dat het gereedschap is uitgeschakeld en de stekker niet in het stopcontact zit.

## Aanbrengen van de beschermpak (Afb. A & B)

- ◆ Keer de trimmer ondersteboven, zodat u op de spoel (9) kijkt.
- ◆ Verwijder met een kruiskopschroevendraaier (niet meegeleverd) de schroef van de beschermpak.
- ◆ Draai de beschermpak (8) ondersteboven en schuif deze geheel op de motorbehuizing (6). Let erop dat de lipjes (10) op de beschermpak goed vast raken op de ribben

(11) op de motorbehuizing, zoals in afbeelding A wordt getoond. Het vergrendelingslipje (25) moet in de sleuf (26) op de behuizing klikken.

- ◆ Schuif de beschermkap verder door tot u de kap op z'n plaats hoort klikken.
- ◆ Voltooi de montage van de beschermkap door de beschermkapschroef met een kruiskopschroevendraaier in te draaien en stevig vast te zetten, zoals in Afbeelding B wordt getoond.
- ◆ Als de beschermkap eenmaal is geïnstalleerd, verwijdert u de afdekking van het draadsnijvlak, die zich op de rand van de beschermkap bevindt.

**Waarschuwing!** Gebruik het gereedschap nooit wanneer de beschermkap niet goed is geplaatst en niet goed is vastgezet.

## De hulphandgreep bevestigen (Afb. C, D, E)

- ◆ Bevestig de handgreep (4) door de knoppen (12) aan beide zijden van de bovenste behuizing in te drukken, zoals in Afb. C wordt getoond.
- ◆ Plaats de handgrepen zoals in Afb. D wordt getoond, waarbij de zijde van de handgreep met de groef uitkomt bij de knop met de groef. Duw gedeeltelijk op de handgreep, zodat de knoppen worden vastgezet, wanneer u ze loslaat.
- ◆ Duw de handgreep volledig op de behuizing tot de handgreep op zijn plaats "klikt" (Afb. E).
- ◆ U kunt de stand van de handgreep naar boven of naar beneden aanpassen door de knop (13) in te drukken en de handgreep naar boven of naar beneden af te stellen.
- ◆ Stel de handgreep zo af dat u uw voorarm strekt wanneer de trimmer in de werkstand staat.

## Aanpassing van de hoogte (Afb. F)

- ◆ De totale hoogte van de trimmer kan worden aangepast door de kraag voor de hoogte-afstelling (5) los te draaien en in de richting van de pijl te draaien, zoals wordt getoond in Afbeelding G.
- ◆ Verplaats de bovenste behuizing recht omhoog of omlaag. Zet, wanneer de gewenste hoogte is bereikt, de kraag vast door deze in de richting te draaien die tegengesteld is aan de richting die in Afb. F wordt getoond.

## Verlengsnoer vastmaken (Afb. G)

In de handgreep met de schakelaar is een houder (2) voor het verlengsnoer ingebouwd, zodat het snoer niet los kan raken.

- ◆ U kunt deze functie gebruiken door eenvoudig op ongeveer 203 mm van het einde het verlengsnoer in de sleuf (14) in het uiteinde van de handgreep te steken, zoals wordt getoond in Afb. G.
- ◆ Haak de lus die ontstaat door het snoer dubbel te vouwen, over de nok (2). Trek voorzichtig aan het snoer zodat u zeker weet dat het stevig in de handgreep van de trimmer vastzit.

- ◆ Steek de contrastekker van het verlengsnoer in de stekker (3) van aansluiting voor de stroomvoorziening in de trimmer.

## De snijdraad losmaken

Tijdens transport is de snijdraad met tape aan de spoelbehuizing bevestigd.

**Waarschuwing!** Koppel voor de montage de machine los van de stroomvoorziening.

- ◆ Verwijder de tape waarmee de snijdraad aan de spoelbehuizing is bevestigd.
- ◆ Zie "De spoel vervangen" voor instructies voor het verwijderen van de spoel.

## Juiste handpositie

Voor een juiste plaatsing van uw handen zet u één hand op de hoofdhandgreep en de andere op de hulphandgreep (4).

## In- en uitschakelen

Schakel de trimmer in door de Aan/Uit-uitschakelaar (1) in te knijpen.

U schakelt de trimmer uit door de Aan/Uit-schakelaar los te laten.

## Met de trimmer werken

- ◆ Beweeg de trimmer terwijl deze is ingeschakeld, onder een hoek met een zwaaibeweging heen en weer, zoals wordt getoond in Afb. H.
- ◆ Houd een maaihoek aan van 5° tot 10°, zoals wordt getoond in Afb. J. Laat de hoek niet groter worden dan 10° (Afb. J). Maai met het uiteinde van de draad. Houd met behulp van het randwiel afstand tot harde oppervlakken (7).
- ◆ Houd een afstand van tenminste 600 mm aan tussen de beschermkap en uw voeten, zoals wordt getoond in een Afb. I. U kunt deze afstand aanhouden door de totale hoogte van de trimmer aan te passen, zoals wordt getoond in Afb. F.

## Omschakelen naar randafwerking (Afb. K)

Met de trimmer kan gras worden gemaaid of het overhangend gras langs gazonranden en bloemperken worden getrimd.

**Waarschuwing!** Trek de stekker uit het stopcontact voordat aanpassingen uitvoert.

**Waarschuwing!** Wanneer de machine wordt gebruikt als kantentrimmer, kunnen stenen, stukken metaal en andere voorwerpen door de draad met hoge snelheid worden weggeslingerd. De trimmer en beschermkap zijn zo ontworpen dat het gevaar wordt beperkt. Maar, **LET ER VOORAL OP** dat er zich geen personen en huisdieren zich op een afstand van minder dan 30 m bevinden.

- ◆ Draai voor onderhoud van de gazonkanten de kraag (5) zoals wordt getoond in Afb. K.

- ◆ Houd de metalen as vast en draai de onderste behuizing 180°, zoals in Afb. K wordt getoond.
- ◆ Draai de kraag tot deze vastzit.

**Opmerking:** De metalen as en de behuizing draaien maar in één richting.

- ◆ Keer terug naar de trimstand door de vergrendelingskraag los te draaien en de onderste behuizing 180° terug te draaien en de kraag weer vast te zetten.

## Randen trimmen (Afb. L)

U bereikt de beste maieresultaten bij randen die dieper zijn dan 50 mm. Gebruik deze trimmer niet voor het maken van sleuven.

- ◆ Leid de trimmer met behulp van het randwiel (7) of de draadbeschermkap, zoals wordt getoond in Afb. L.
- ◆ Plaats het randafwerkingswiel op de rand van het voetpad of een ruw oppervlak, zodat de maailijn zich boven het gras of de bodem bevindt waarvan de rand moet worden afgewerkt.

**Opmerking:** Het Automatische Toevoersysteem zal misschien niet goed werken als de kantgeleider met het wiel niet wordt gebruikt.

**Opmerking:** U zult merken dat de snijdraad sneller slijt dan normaal, als het randwiel te ver van de rand wordt geplaatst en de maailijn uitkomt boven het voetpad of het ruwe oppervlak.

- ◆ U kunt korter maaien door de trimmer een beetje te kantelen.
- ◆ Keer terug naar de trimstand door de vergrendelingskraag los te draaien en de onderste behuizing 180° terug te draaien. Het gereedschap wordt in de trimstand vergrendeld.

## Maailijn / Lijnaanvoer

Uw trimmer gebruikt RONDE nylon draad, met een diameter van 1,65 mm. Tijdens het gebruik worden de punten van nylondraden rafelig en slijten, en de speciale zelf-aanvoerende spoel voert automatisch een nieuwe lijn op lengte aan. De snijdraad slijt sneller en moet vaker worden verlengd als u vaak langs stoepen of andere ruwe oppervlakken maait, of wanneer u zwaardere begroeiing maait. Het geavanceerde automatische lijnaanvoermechanisme voelt wanneer meer maailijn nodig is en voert de lijn op juiste lengte aan en knipt deze af, wanneer dat maar nodig is. Stoot de trimmer niet op de grond in een poging lijn aan te voeren, of voor welk ander doel dan ook.

## Nuttige maaitips

- ◆ Maai met de punt van de draad; duw niet de draadkop in ongemaaid gras.
- ◆ Op afrasteringen en schuttingen kan de draad extra slijten, en zelfs breken. De draad kan snel slijten langs muurtjes van natuursteen en van baksteen, en langs trottoirbanden

en hout.

- ◆ Laat de spoelkap niet over de grond of over andere oppervlakken slepen.
- ◆ Maai hoge begroeiing van boven af en niet meer dan 300 mm in één keer.
- ◆ Houd de trimmer gekanteld in de richting van het te maaien gebied; daar werkt de trimmer het best.
- ◆ De trimmer maait wanneer u de machine van rechts naar links beweegt. Zo wordt er geen vuil in de richting van de gebruiker geslingerd.
- ◆ Blijf uit de buurt van bomen en struiken. Boomschors, houten sculpturen, schuttingdelen en -palen kunnen gemakkelijk door de draad worden beschadigd.

## De spoel vervangen (Afb. M, N, O, P)

**Waarschuwing!** Beperk het risico van ernstig persoonlijk letsel, zet het apparaat uit en maak het stroomloos voordat u aanpassingen aanbrengt of hulpstukken of accessoires verwijdt/installeert. Wanneer de machine per ongeluk wordt gestart, kan dat leiden tot letsel

- ◆ Houd de lipjes (15) ingedrukt en verwijder de spoelkap (25) van de behuizing (16) in de trimmerkop (Afb. M).
- ◆ Vervang voor het beste resultaat de spoel door een exemplaar van BLACK+DECKER modelnr. A6481.
- ◆ Pak de lege spoel met één hand vast en de spoelbehuizing met de andere hand en trek de spoel naar buiten.
- ◆ Zet, als de hendel (17) (Afb. N) onderin de behuizing van zijn plaats raakt, de hendel terug op z'n plaats en plaats daarna de nieuwe spoel in de behuizing.
- ◆ Verwijder alle vuil en gras van de spoel en de behuizing.
- ◆ Maak het uiteinde van de snijdraad los en leid de draad door het oogje (19) Afb. O.
- ◆ Neem de nieuwe spoel en druk deze op de naaf (18) in de behuizing (Afb. N). Draai de spoel licht tot deze stevig op zijn plaats zit. De draad moet ongeveer 136 mm uit de behuizing steken.
- ◆ Breng de lipjes op de spoelkap op één lijn met de uitsparingen (20) in de behuizing (Afb. P).
- ◆ Druk de kap op de behuizing, tot deze stevig vastklikt.

**Waarschuwing!** Voorkom beschadiging van de trimmer, knip de snijdraad af als deze verder uitsteekt dan het trimblad, de draad mag niet verder dan de kap reiken.

## De spoel winden van een draadklos (Afb. Q, R, S)

Vervangende spoelen met snijdraad zijn verkrijgbaar via uw BLACK+ DECKER-leverancier. Pakketten met 3 spoelen met snijdraad zijn ook verkrijgbaar.

- ◆ Trek de stekker van het gereedschap uit het stopcontact.
- ◆ Verwijder de lege spoel uit de trimmer, zoals wordt beschreven in "DE SPOEL VERVANGEN".
- ◆ Verwijder alle overgebleven snijdraad van de spoel.

- ◆ Vouw de snijdraad dubbel op ongeveer 19 mm (21) van het einde. Plaats de snijdraad in een van de draadverankerings sleuven (22), zoals wordt getoond in Afb. Q.

**Opmerking:** Zorg ervoor dat de lijn niet van de spoel windt. Houd de spoel te allen tijde met één hand vast.

- ◆ Steek de 19mm van het einde van de draadklos in het gat (23) in de spoel naast de sleuf, zoals wordt getoond in Afb. R. Controleer dat de lijn strak tegen de spoel is getrokken, zoals wordt getoond in Afb. S.
- ◆ Wikkel de snijdraad op de spoel, in de richting van de pijl op de spoel. Let erop u de draad netjes en in lagen opwikfelt. Wikkel de draad niet kruislings (Afb S).
- ◆ Wanneer de opgewikkelde snijdraad tot de inkepingen (24) reikt, moet u de draad afsnijden. (Afb. R).
- ◆ Plaats de spoel op de trimmer, zoals wordt beschreven in "DE SPOEL VERVANGEN".

**Waarschuwing!** Gebruik voor u begint met trimmen uitsluitend snijdraad van het geschikte type.

## Problemen oplossen

Als het apparaat niet goed lijkt te werken, volgt u de onderstaande instructies op. Neem contact op met het BLACK+DECKER-servicecentrum bij u in de buurt, als u het probleem niet kunt verhelpen.

**Waarschuwing!** Trek voordat u verdergaat de stekker uit het stopcontact.

## De machine draait langzaam

- ◆ Controleer dat de spoelbehuizing vrij kan draaien. Reinig de behuizing zorgvuldig, indien nodig.
- ◆ Controleer dat de snijdraad niet meer dan ongeveer 136mm uit de spoel steekt. Als de snijdraad verder uitsteekt, moet u de draad afsnijden tot deze niet verder dan trimblad reikt.

## Het automatisch langer maken van de draad werkt niet

- ◆ Verwijder de spoelkap.
- ◆ Trek aan de snijdraad, tot deze 136mm uit de spoel steekt. Als de spoel onvoldoende snijdraad bevat, moet u een nieuwe spoel met snijdraad plaatsen.
- ◆ Let erop dat de lijn niet kruislings over de spoel loopt, zoals in Afb. S wordt aangeduid. Als dat wel zo is, wikkel de snijdraad dan af en wikkel de draad vervolgens weer netjes op de spoel zodat de lijnen elkaar niet kruisen.
- ◆ Zorg ervoor dat de draad strak tegen de spoel wordt getrokken, zoals in Afb. S wordt getoond.
- ◆ Houd de nokken op de spoelkap tegenover de uitsparingen in de behuizing.
- ◆ Duw de spoelkap op de behuizing tot deze stevig vastklikt.
- ◆ Als de snijdraad buiten het trimblad uitsteekt, moet u de draad afknippen tot deze niet verder dan het blad komt.

Als het automatisch verlengen niet werkt, of wanneer de spoel is geblokkeerd, kunt u de volgende suggesties proberen:

- ◆ Reinig de spoel en de behuizing voorzichtig.
- ◆ Verwijder de spoel en controleer of de hendel in de spoelbehuizing vrij kan bewegen.
- ◆ Verwijder de spoel en wikkel de snijdraad af en vervolgens netjes weer op. Plaats de spoel weer in de behuizing.

## Onderhoud

Uw BLACK+DECKER-machine/-gereedschap (met netsnoer/snoerloos) is ontworpen om gedurende langere tijd te functioneren met een minimum aan onderhoud. U kunt het gereedschap/de machine naar volle tevredenheid blijven gebruiken als u het gereedschap/de machine op juiste wijze onderhoudt en regelmatig schoonmaakt.

Behalve regelmatige reiniging vraagt de lader geen onderhoud.

**Waarschuwing!** Ga altijd als volgt te werk voor u onderhoud aan het elektrisch gereedschap (met snoer/snoerloos) uitvoert:

- ◆ Schakel de machine/het gereedschap uit en trek de stekker uit het stopcontact.
- ◆ Als het de machine/het gereedschap een aparte accu heeft, schakel de machine/het gereedschap dan uit en haal de accu eruit.
- ◆ Als de accu is ingebouwd, laat u deze volledig ontladen. Schakel dan het apparaat uit.
- ◆ Neem de lader uit het stopcontact voordat u deze schoonmaakt. Behalve regelmatige reiniging vraagt de lader geen onderhoud.
- ◆ Reinig regelmatig de ventilatieopeningen van het gereedschap/de machine en de lader met een zachte borstel of droge doek.
- ◆ Reinig de behuizing van de motor regelmatig met een vochtige doek. Gebruik niet een schurend schoonmaakmiddel of een schoonmaakmiddel op basis van een oplosmiddel.
- ◆ Reinig de snijdraad en de spoel regelmatig met een zachte borstel of een droge doek.
- ◆ Verwijder regelmatig met een botte krabber gras en vuil van onder de beschermkap.

## Het milieu beschermen



Gescheiden afvalinzameling. Producten en accu's die zijn voorzien van dit symbool mogen niet bij het normale huishoudelijk afval worden weggegooid.

Producten en accu's bevatten materialen die kunnen worden

teruggewonnen of gerecycled en dat doet de vraag naar grondstoffen afnemen.

Recycle elektrische producten en accu's volgens de ter plaatse geldende bepalingen. Nadere informatie is beschikbaar op [www.2helpU.com](http://www.2helpU.com)

### Technische gegevens

		BESTA525 Type 1	BESTA528 Type 1	BESTA530 Type 1
Spanning	V <sub>AC</sub>	230	230	230
Vermogen	W	450	550	550
Onbelaste snelheid	min <sup>-1</sup>	7500	7500	7500
Gewicht	kg	2,4	2,4	2,4

Geluidsdrukniveau:	
Geluidsdruk (L <sub>pa</sub> )	81 dB(A), meetonzekerheid (K) 3 dB(A)
Geluidsvermogen (L <sub>wa</sub> )	93 dB(A), meetonzekerheid (K) 2,6 dB(A)
Totale trillingswaarden (som triaxvector) volgens NEN-EN-IEC 50636-2-91:	
Waarde trillingsemmissie (a <sub>v</sub> )	4,9 m/s <sup>2</sup> , meetonzekerheid (K) 1,7 m/s <sup>2</sup>

### EG conformiteitsverklaring

RICHTLIJN VOOR MACHINES  
RICHTLIJN VOOR GELUID BUITENSHUIS



BESTA525, BESTA528, BESTA530 - Trimmer  
Black & Decker verklaart dat de producten die worden beschreven onder 'Technische gegevens', voldoen aan:  
2006/42/EC, EN60335-1:2012, A11:2014,  
EN 50636-2-91:2014

2000/14/EG, Gazontrimmer, L ≤ 50 cm, bijlage VI  
DEKRA Certification B.V. Meander 1051 / Postbus. 5185  
6825 MJ ARNHEM / 6802 ED ARNHEM, Nederland  
Aangemelde instantie ID Nr.: 0344

Niveau akoestisch vermogen, volgens 2000/14/EG  
(Artikel 12, bijlage III, I ≤ 50 cm):

L<sub>WA</sub> (gemeten geluidsvermogen) 93 dB(A)  
Onzekerheid = 3 dB(A)

L<sub>WA</sub> (gegarandeerd geluidsvermogen) 96 dB(A)

Ondergetekende is verantwoordelijk voor de samenstelling van het technische bestand en legt deze verklaring af namens Black & Decker.

R. Laverick  
Director of Engineering  
Black & Decker Europe, 210 Bath Road, Slough,  
Berkshire, SL1 3YD  
Verenigd Koninkrijk  
14-12-2017

### Garantie

Black & Decker heeft vertrouwen in zijn producten en biedt consumenten een garantie van 24 maanden vanaf de aankoopdatum. Deze garantie vormt een aanvulling op uw wettelijke rechten en beperken deze niet. De garantie is geldig op het grondgebied van de Lidstaten van de Europese Unie en de Europese Vrijhandelszone.

Voor een garantie-aanspraak moet uw aanspraak in overeenstemming zijn met de Voorwaarden en Condities van Black & Decker en moet u een bewijs van aankoop overleggen aan de verkoper of aan een geautoriseerde reparatiemonteur. Voorwaarden en condities van de 2-jarige garantie van Black & Decker en het adres van de vestiging van het geautoriseerde reparatiecentrum bij u in de buurt, kunt u vinden op internet op [www.2helpU.com](http://www.2helpU.com), of door contact op te nemen met het Black & Decker-kantoor ter plaatse, op het adres dat in deze handleiding wordt vermeld:

Bezoek onze website [www.blackanddecker.nl](http://www.blackanddecker.nl), waar u uw nieuwe BLACK+DECKER-product kunt registreren en informatie kunt verkrijgen over nieuwe producten en speciale aanbiedingen.

Deze producten voldoen tevens aan richtlijn 2014/30/EU en 2011/65/EU. Neem voor meer informatie contact op met Black & Decker op het volgende adres of raadpleeg de achterzijde van de handleiding.



**Uso previsto**

Los cortabordes BESTA525, BESTA528 y BESTA530 de BLACK+DECKER han sido diseñados para cortar y arreglar los bordes del césped y para cortar el césped en espacios reducidos. Estas máquinas han sido concebidas únicamente para uso doméstico.

**Instrucciones de seguridad**

**Advertencia.** Al utilizar máquinas eléctricas, es necesario seguir las precauciones de seguridad básicas, incluidas las que se indican a continuación, para reducir el riesgo de incendios, electrocución, lesiones personales y daños materiales.

**Advertencia.** Cuando utilice el aparato, debe seguir las normas de seguridad. Por su propia seguridad y por la de otras personas, lea estas instrucciones antes de utilizar el aparato.

Conserve estas instrucciones para consultarlas en un futuro.

- ◆ Lea atentamente este manual en su totalidad antes de utilizar la máquina.
- ◆ En este manual se describe el uso para el que se ha diseñado el aparato. La utilización de accesorios o la realización de operaciones distintas a las recomendadas en este manual de instrucciones con esta máquina pueden conllevar un riesgo de lesiones.
- ◆ Conserve este manual para futuras consultas.

**Utilización de la máquina**

Tenga siempre cuidado al utilizar la máquina.

- ◆ Utilice siempre gafas protectoras.

- ◆ Nunca permita que los niños ni las personas no familiarizadas con estas instrucciones utilicen la máquina.
- ◆ Nunca utilice la máquina si otras personas, especialmente **niños** o mascotas, se encuentran cerca.
- ◆ Es necesaria una estricta supervisión cuando la máquina se usa cerca de los niños.
- ◆ Esta máquina no ha sido concebida para ser utilizada por menores o personas discapacitadas, sin la debida supervisión.
- ◆ Esta máquina no es un juguete.
- ◆ Utilice la máquina únicamente a la luz del día o con iluminación artificial adecuada.
- ◆ Utilícela únicamente en lugares secos. Tenga cuidado de no mojar la máquina.
- ◆ No sumerja la máquina en agua.
- ◆ No abra la carcasa. Las piezas del interior del aparato no pueden ser reparadas por el usuario.
- ◆ No utilice la máquina en un entorno con peligro de explosión, en el que se encuentren líquidos, gases o materiales en polvo inflamables.
- ◆ Para evitar dañar las clavijas o los cables, no tire nunca del cable para extraer la clavija de la toma de corriente.

**Seguridad de otras personas**

- ◆ Nunca permita que los **niños** ni las personas con capacidades físicas, sensoriales o mentales disminuidas; que carezcan de experiencia y

conocimientos o que no estén familiarizadas con estas instrucciones utilicen la máquina. Las normas locales pueden restringir la edad del operador.

- ◆ Los niños no deben jugar con la máquina. Los niños no deberán realizar las tareas de limpieza y mantenimiento, salvo que lo hagan bajo supervisión.

## Riesgos residuales

El uso de esta herramienta puede producir riesgos residuales adicionales no incluidos en las advertencias de seguridad adjuntas. Estos riesgos se pueden generar por un uso incorrecto, demasiado prolongado, etc.

El cumplimiento de las normas de seguridad correspondientes y el uso de dispositivos de seguridad no evitan ciertos riesgos residuales. Dichos riesgos incluyen:

- ◆ Lesiones producidas por el contacto con piezas móviles o giratorias.
- ◆ Lesiones producidas al cambiar cualquier pieza, hoja o accesorio.
- ◆ Lesiones producidas al usar una herramienta por un tiempo demasiado prolongado. Si utiliza una herramienta durante períodos de tiempo demasiado prolongados, asegúrese de realizar pausas con frecuencia.
- ◆ Deterioro auditivo.
- ◆ Riesgos para la salud producidos al respirar el polvo que se genera al usar la herramienta (por ejemplo, en los trabajos con madera, especialmente

de roble, haya y tableros de densidad mediana).

## Vibración

Los valores de emisión de vibraciones declarados en el apartado de características técnicas y en la declaración de conformidad se han calculado según un método de prueba estándar proporcionado por la norma EN50636 y pueden utilizarse para comparar una herramienta con otra. El valor de emisión de vibraciones especificado también puede utilizarse en una evaluación preliminar de la exposición.

**Advertencia.** El valor de emisión de vibraciones durante el funcionamiento real de la herramienta eléctrica puede diferir del valor declarado en función de cómo se utilice dicha herramienta. El nivel de las vibraciones puede aumentar por encima del nivel declarado.

Al evaluar la exposición a las vibraciones con el fin de determinar las medidas de seguridad que exige la directiva 2002/44/CE para proteger a las personas que utilizan periódicamente herramientas eléctricas en el entorno laboral, deberá tenerse en cuenta una estimación de la exposición a las vibraciones, las condiciones de uso reales y el modo de empleo de la herramienta, así como los pasos del ciclo operativo como, por ejemplo, el número de veces que la herramienta se apaga, el tiempo que está parada y el tiempo de activación.

## Después de la utilización

- ◆ Cuando la máquina no esté en uso, debe guardarse en un lugar seco, bien ventilado y lejos del alcance de los niños.
- ◆ Los niños no deben tener acceso a las máquinas guardadas.
- ◆ Cuando se guarde o transporte la máquina en un vehículo, deberá colocarse en el maletero o sujeta, para evitar movimientos producidos por cambios repentinos en la velocidad o la dirección.

## Inspecciones y reparaciones

- ◆ Antes de utilizar la máquina, compruebe que no tenga piezas dañadas ni defectuosas. Compruebe que no hay piezas rotas u otros defectos que puedan afectar al funcionamiento del aparato.
- ◆ No utilice la máquina si alguna de sus piezas está dañada o defectuosa.
- ◆ Solicite al servicio técnico autorizado la reparación o sustitución de las piezas dañadas o defectuosas.
- ◆ Nunca intente extraer ni sustituir ninguna pieza que no esté especificada en este manual.

## Instrucciones de seguridad adicionales para cortadoras de césped

**Advertencia.** Una vez apagado el motor, los elementos de corte seguirán girando.

- ◆ Familiarícese con los controles y el uso correcto de la máquina.

- ◆ Antes de utilizar el cable de alimentación y el cable de extensión, compruebe que no están dañados, gastados o deteriorados. Si se daña un cable mientras utiliza el producto, desconecte el cable de la red eléctrica inmediatamente. **NO TOQUE EL CABLE SIN HABERLO DESCONECTADO PREVIAMENTE DE LA RED ELÉCTRICA.**
- ◆ No utilice la máquina si los cables están dañados o desgastados.
- ◆ Antes de utilizar la máquina y después de cualquier golpe, compruebe si presenta señales de desgaste o daños y repárela si es necesario.
- ◆ Asegúrese siempre de que las ranuras de ventilación no tengan restos.
- ◆ Utilice calzado resistente para proteger los pies.
- ◆ Vista pantalones largos para proteger las piernas.
- ◆ Antes de utilizar la máquina, compruebe que la zona que vaya a cortar no tenga ramas, piedras, alambres o ningún otro obstáculo.
- ◆ Utilice la máquina solamente en posición vertical, con la línea de corte cerca del suelo. No encienda la máquina en otra posición.
- ◆ Sea precavido y mantenga el equilibrio en todo momento. Manténgase en todo momento firmemente apoyado en las pendientes y nunca corra.
- ◆ No trabaje en pendientes pronunciadas. Trabaje en sentido transversal a la pendiente, no hacia arriba o abajo.

- ◆ Mueva lentamente la máquina cuando la utilice. Tenga en cuenta que el césped recién cortado está húmedo y resbaladizo.
- ◆ Nunca cruce caminos de grava ni carreteras mientras la máquina está en funcionamiento.
- ◆ Nunca toque las piezas móviles peligrosas antes de desconectar la máquina de la corriente y antes de que las piezas móviles peligrosas se hayan parado por completo.
- ◆ Nunca toque la línea de corte mientras la máquina está en funcionamiento.
- ◆ No apoye el aparato hasta que la línea de corte se detenga por completo.
- ◆ Utilice únicamente el tipo de línea de corte apropiado. Nunca utilice líneas de corte o sedales de metal.
- ◆ Tenga cuidado de no tocar la hoja de la línea de corte.
- ◆ Tenga sumo cuidado en mantener el cable de alimentación lejos de la línea de corte. Tenga cuidado con la posición del cable en todo momento.
- ◆ Mantenga las manos y los pies alejados de la línea de corte en todo momento, especialmente al encender el motor.
- ◆ Nunca utilice la máquina si tiene los protectores dañados o no estén colocados en su lugar.
- ◆ Tome precauciones contra las lesiones causadas por cualquier dispositivo colocado para cortar la línea de filamentos. Después de extender la nueva línea de corte, vuelva a colocar

- la máquina en su posición normal de funcionamiento antes de encenderla.
- ◆ No utilice el cortacésped (cortabordes) si los cables están dañados o desgastados.
- ◆ Mantenga los cables de extensión alejados de los elementos de corte.

## Seguridad eléctrica



Esta máquina lleva un doble aislamiento; por lo tanto no requiere toma a tierra. Compruebe siempre que el voltaje suministrado corresponda al indicado en la placa de características.

- ◆ Si se dañara el cable de alimentación, deberá ser sustituido por el fabricante o por un centro de asistencia técnica autorizado de BLACK+DECKER para evitar cualquier situación de riesgo.
- ◆ Se puede incrementar la seguridad eléctrica mediante dispositivos diferenciales residuales (DDR) de 30 mA de alta sensibilidad.

## Etiquetas en la máquina

En la máquina se encuentran los siguientes símbolos de advertencia, junto con el código de fecha:



**Advertencia.** Lea el manual antes de utilizar el aparato.



Cuando utilice la máquina, lleve siempre gafas o antiparras protectoras.



Cuando utilice la máquina, utilice una protección adecuada para los oídos.



Antes de revisar un cable dañado, retire siempre la clavija del enchufe de corriente. Tenga cuidado de no utilizar la cortadora si el cable está estropeado.



Tenga cuidado con los objetos que salen volando. Mantenga a otras personas alejadas de la zona de corte.



No exponga la máquina a la lluvia ni a una humedad elevada.



Directiva 2000/14/CE sobre la potencia acústica garantizada.

## Características

Esta máquina incluye todas o algunas de las siguientes características.

1. Interruptor de encendido/apagado
2. Sujetacable
3. Toma para el cable de alimentación
4. Empuñadura auxiliar
5. Collarín
6. Alojamiento del motor
7. Rueda de guía de orillado (solo BESTA528 y BESTA530)
8. Protector
9. Bobina

## Montaje

**Advertencia.** Antes de proceder al montaje, compruebe que la herramienta está apagada y desenchufada.

### Colocación del protector (Figs. A y B)

- ◆ Dé vuelta la cortadora de manera que vea la bobina (9).
- ◆ Retire el tornillo del protector con un destornillador Phillips (no suministrado).
- ◆ Dé vuelta el protector (8) y deslícelo completamente sobre la carcasa del motor (6). Asegúrese de que las lengüetas (10) del protector encajan en las salientes (11) del alojamiento del motor como se muestra en la figura A. La lengüeta de bloqueo (25) debe quedar encajada en la ranura de la carcasa (26).
- ◆ Siga deslizando el protector hasta que oiga que encaja en su sitio.
- ◆ Inserte el tornillo del protector y apriételo bien, como se muestra en la figura B, para completar el montaje del protector.
- ◆ Una vez montado el protector, retire la cubierta de la hoja de corte de la línea, situada en el borde del protector.

**Advertencia.** Nunca utilice la herramienta si el protector no está correctamente colocado y bien firme.

### Colocación de la empuñadura auxiliar (Figs. C, D y E)

- ◆ Para instalar la empuñadura (4), presione los botones (12) de ambos lados del alojamiento superior como se muestra en la Fig. C.

- ◆ Coloque la empuñadura como se muestra en la Fig. D, haciendo coincidir la parte acanalada de la empuñadura con el botón acanalado. Empuje parcialmente la empuñadura para que sujete los botones cuando retire la mano.
- ◆ Empuje la empuñadura para introducirla completamente en el alojamiento y colóquela poco a poco, hasta que quede colocada correctamente (Fig. E).
- ◆ Para subir o bajar la empuñadura, presione el botón (13) y suba o baje la empuñadura.
- ◆ La empuñadura debe ajustarse de forma que el brazo delantero quede recto cuando la cortadora esté en su posición de trabajo.

### Ajuste de altura (Fig. F)

- ◆ La altura total de la cortadora se puede ajustar aflojando el collarín (5) y haciéndolo girar en el sentido que indica la flecha, como se muestra en la figura G.
- ◆ Suba o baje la carcasa superior. Cuando llegue a la altura deseada, apriete el collarín haciéndolo girar en el sentido contrario como se muestra en la Fig. F.

### Colocación del cable prolongador (Fig. G)

Se ha incorporado un sujetacable (2) en la empuñadura con interruptor, para evitar que el cable se desenchufe.

- ◆ Para usar esta función, solo tiene que doblar el cable prolongador a unos 203 mm del extremo e insertarlo en la ranura (14) del extremo de la empuñadura, como se muestra en la Fig. G.
- ◆ Enganche el bucle doblando el cable en la lengüeta (2). Tire suavemente el cable para asegurarse de que quede firme en la empuñadura del cortabordes.
- ◆ Enchufe el extremo del receptáculo del cable prolongador en la toma del cable de alimentación (3) del cortabordes.

### Liberación de la línea de corte

Mientras se encuentra en tránsito, la línea de corte está sujeta con una cinta al compartimento para la bobina.

**Advertencia.** Antes del montaje, desconecte el cortabordes de la fuente de alimentación.

- ◆ Extraiga la cinta que sujeta la línea de corte al alojamiento de la bobina.
- ◆ Consulte "Sustituir la bobina" para instrucciones sobre cómo sacar la bobina.

### Posición correcta de las manos

La posición adecuada de las manos exige que una mano se coloque en la empuñadura principal y la otra en la empuñadura auxiliar (4).

### Encendido y apagado

Para encender el cortabordes, pulse el gatillo (1).  
Para apagar el cortabordes, suelte el gatillo.

## Uso de la cortadora

- ◆ Una vez encendida la unidad, inclínela y muévala lentamente de lado a lado, tal como se muestra en la figura H.
- ◆ Mantenga un ángulo de corte de entre 5° y 10° tal como se muestra en la Fig. J. No exceda los 10° (Fig. J). Corte con la punta de la línea.  
Para mantener la distancia con las superficies rígidas, utilice la rueda de corte (7).
- ◆ Mantenga una distancia mínima de 600 mm entre el protector y sus pies, como se muestra en la Fig. I.  
Para conseguir esta distancia, ajuste la altura total del cortabordes como se muestra en la Fig. F.

## Conversión al modo de orillado (Fig. K)

La cortadora puede utilizarse en modo de corte o de orillado, para cortar la hierba que sobresale por encima de los bordes del césped y los parterres.

**Advertencia.** Desconecte el enchufe de la red antes de realizar cualquier ajuste.

**Advertencia.** Al utilizar la unidad como cortabordes, la línea puede expulsar trozos de metal y otros objetos a una gran velocidad. La cortadora y el protector están diseñados para reducir el peligro. Sin embargo, **ASEGÚRESE** de que esté como mínimo a 30 m de distancia de otras personas y mascotas.

- ◆ Para que funcione como arregla setos de mantenimiento, gire el collarín (5) como se muestra en la Fig. K.
- ◆ Sujete el eje de metal y gire la carcasa inferior 180°, como se muestra en la Fig. K.
- ◆ Vuelva a girar el collarín hasta que quede apretado.

**Nota:** El eje de metal y la carcasa girarán en un solo sentido.

- ◆ Para volver a posición de corte, afloje el collarín de bloqueo y vuelva a girar la carcasa inferior a 180°.

## Bordes (Fig. L)

Se obtienen óptimos resultados de corte en bordes de más 50 mm de profundidad. No utilice el cortabordes para hacer zanjas.

- ◆ Usando la rueda de orillado (7) o el protector de cable, guíe el cortabordes como se muestra en la Fig. L.
- ◆ Coloque la rueda de orillado en el borde de la acera u otra superficie abrasiva para que la línea de corte quede por encima de la hierba o la zona de tierra que va a recortar.

**Nota:** El sistema de alimentación automática no funciona correctamente si no se utiliza la rueda de orillado.

**Nota:** La línea de corte se desgastará más de lo normal si la rueda de orillado se coloca demasiado alejada del borde y con la línea de corte sobre el suelo u otra superficie abrasiva.

- ◆ Para realizar un corte más a ras, incline ligeramente la cortadora.

- ◆ Vuelva a la posición de corte aflojando el collarín de bloqueo y volviendo a girar la carcasa inferior 180°. La herramienta se bloqueará en la posición de recorte.

## Línea de corte / Alimentación de la línea

La cortadora utiliza una línea de nylon redonda de 1,65 mm de diámetro. Mientras se está usando, las puntas de las líneas de nylon se raen y desgastan, y la bobina especial de autoalimentación irá suministrando automáticamente y cortando un nuevo trozo de línea. La línea de corte se desgastará con más rapidez y necesitará más alimentación si el corte o bordeado se realizan junto a suelos u otras superficies abrasivas, o si se cortan malezas resistentes. El avanzado mecanismo de alimentación automática de línea nota que se necesita más línea de corte y alimenta y corta el trozo de línea correcto siempre que resulta necesario. No golpee la cortadora en el suelo para conseguir más línea o con cualquier otro fin.

## Consejos útiles para el corte

- ◆ Use la punta del hilo para hacer el corte; no fuerce el cabezal del hilo para introducirlo en el césped sin cortar.
- ◆ Los alambrados y las vallas provocan un desgaste extra del hilo e incluso llegan a romperlo. Las paredes de piedra y ladrillos, los bordillos y la madera pueden desgastar el hilo rápidamente.
- ◆ No deje que la tapa de la bobina se arrastre por el suelo u otras superficies.
- ◆ Si el césped ha crecido mucho, corte de arriba hacia abajo y no supere los 300 mm de altura.
- ◆ Mantenga la cortadora inclinada hacia el área que está cortando; es el mejor modo de corte.
- ◆ La cortadora corta al pasar la unidad de izquierda a derecha. Esto evitará que los desechos salgan despedidos hacia el operador.
- ◆ Evite los árboles y arbustos. Las cortezas de árbol, las molduras de madera y los postes de las cercas pueden resultar dañados fácilmente por el hilo.

## Sustituir la bobina (Fig. M, N, O, P)

**Advertencia.** Para reducir el riesgo de lesiones personales graves, apague la unidad y desconéctela de la fuente de alimentación antes de realizar cualquier ajuste o de poner o quitar acoplamientos o accesorios. El encendido accidental puede causar lesiones.

- ◆ Presione las lengüetas (15) y extraiga el tapón de la bobina (25) del alojamiento de la bobina (16) del cabezal de la cortadora (Fig. M).
- ◆ Para obtener los mejores resultados, sustituya la bobina con el modelo A6481 de BLACK+DECKER.
- ◆ Agarre la bobina vacía con una mano y el compartimento de la bobina con la otra y tire de la bobina hacia fuera.

- ◆ Si la palanca (17) (Fig. N) de la base del alojamiento se desplaza, vuelva a colocarla en la posición correcta antes de introducir la nueva bobina en el alojamiento.
- ◆ Elimine la suciedad y los restos de césped de la bobina y el alojamiento.
- ◆ Libere el extremo de la línea de corte y pase la línea por el orificio (19) Fig. O.
- ◆ Coja la bobina nueva y colóquela en el eje (18) del alojamiento (Fig. N). Gire ligeramente la bobina hasta que quede perfectamente encajada. La línea debe sobresalir aproximadamente 136 mm del compartimento.
- ◆ Alinee las lengüetas del tapón de la bobina con las ranuras (20) del alojamiento (Fig. P).
- ◆ Empuje la tapa hacia el compartimento, hasta que quede colocada correctamente.

**Advertencia.** Para no dañar la cortadora, si la línea de corte sobresale de la hoja de corte, córtela para llegue justo hasta la hoja.

### Rebobinado de la bobina desde la línea de paquete (Fig. Q, R, S)

Encontrará bobinas de línea de corte de repuesto en su distribuidor de BLACK+ DECKER. También podrá encontrar paquetes de tres bobinas de línea de corte.

- ◆ Desconecte la herramienta.
- ◆ Retire la bobina vacía de la cortadora tal como se describe en "SUSTITUCIÓN DE LA BOBINA".
- ◆ Retire cualquier resto de la línea de corte que haya quedado en la bobina.
- ◆ Pliegue el extremo de la línea de corte a unos 19 mm (21). Introduzca la línea de corte en una de las ranuras de anclaje de la línea (22) tal como se muestra en la Fig. Q.

**Nota:** Tenga cuidado de que el hilo de la bobina no se enrede. Sosténgalo bien con una mano en todo momento.

- ◆ Introduzca el extremo de 19 mm de la línea de paquete en el orificio (23) de la bobina que se encuentra junto a la ranura, como se muestra en la figura R. Asegúrese de que la línea quede ajustada contra la bobina, como se muestra en la figura S.
- ◆ Enrolle la línea de corte en la bobina en la dirección que indica la flecha en la bobina. Asegúrese de enrollar la línea de manera que no cuelgue y quede por capas. No la enrolle entrecruzada (Fig. S).
- ◆ Cuando la línea de corte enrollada llegue hasta las hendiduras (24), córtela (Fig. R).
- ◆ Coloque la bobina en la cortadora como se describe en "SUSTITUCIÓN DE LA BOBINA".

**Advertencia.** Antes de empezar a cortar, utilice únicamente el tipo de línea de corte apropiado.

### Resolución de problemas

Si le parece que no funciona correctamente, siga las instrucciones que se indican a continuación. Si no se resuelve

el problema, póngase en contacto con un técnico autorizado de BLACK+DECKER.

**Advertencia.** Antes de hacerlo, desconecte la herramienta.

### La herramienta funciona lentamente

- ◆ Compruebe que el compartimento para la bobina puede girar sin problemas. Límpiolo con cuidado si fuera necesario.
- ◆ Compruebe que la línea de corte no sobresalga más de 136mm de la bobina. Si sobresale, córtela de modo que sólo llegue hasta la altura de la hoja de la línea de corte.

### La alimentación automática de la línea no funciona

- ◆ Extraiga el tapón de la bobina.
- ◆ Tire de la línea de corte hasta que sobresalga 136mm de la bobina. Si no se deja suficiente línea de corte en la bobina, instale una nueva bobina de línea de corte.
- ◆ Compruebe que la línea no esté entrecruzada en la bobina como se muestra en la Fig. S. Si está entrecruzada, desenrolle la línea de corte y vuelva a enrollarla con cuidado para no se entrecruce.
- ◆ Compruebe que el inicio de la línea esté tensado contra la bobina tal como se muestra en la Fig. S.
- ◆ Alinee las lengüetas de la tapa de la bobina con las ranuras del compartimento.
- ◆ Empuje la tapa de la bobina hacia el compartimento hasta que se coloque en su lugar correctamente.
- ◆ Si la línea de corte sobresale de la cuchilla de corte, córtela para que llegue justo hasta la cuchilla. Si la alimentación automática de la línea no funciona o la bobina está atascada, pruebe a hacer lo siguiente:
  - ◆ Limpie con cuidado la bobina y su compartimento.
  - ◆ Extraiga la bobina y compruebe si la palanca del compartimento puede moverse libremente.
  - ◆ Extraiga la bobina y desenrolle la línea de corte y, a continuación, vuelva a enrollarla correctamente. Vuelva a colocar la bobina en el compartimento.

### Mantenimiento

Su máquina o herramienta con o sin cable BLACK+DECKER ha sido diseñada para funcionar durante un largo período de tiempo con un mantenimiento mínimo. El funcionamiento satisfactorio continuado depende del cuidado apropiado y la limpieza periódica de la herramienta o máquina. El cargador no requiere ningún mantenimiento especial excepto la limpieza periódica.

**Advertencia.** Antes de realizar el mantenimiento de herramientas eléctricas con o sin cables:

- ◆ Apague y desenchufe la máquina o herramienta.
- ◆ O bien, apague y extraiga la batería de la máquina o herramienta, en caso de que tenga una batería separada.

- ◆ O bien, deje que la batería se agote por completo si es integral y, a continuación, apague la máquina.
- ◆ Desenchufe el cargador antes de limpiarlo. El cargador no requiere ningún mantenimiento especial excepto la limpieza periódica.
- ◆ Limpie periódicamente las ranuras de ventilación de la máquina o herramienta y del cargador con un cepillo suave o un paño seco.
- ◆ Limpie periódicamente la carcasa del motor con un paño húmedo. No utilice limpiadores abrasivos o a base de disolventes.
- ◆ Limpie periódicamente el hilo de corte y la bobina con un cepillo suave o un paño seco.
- ◆ Utilice periódicamente un raspador sin filo para eliminar los restos de hierba y la suciedad acumulada debajo del protector.

**Protección del medioambiente**



Recogida selectiva. Los productos y las baterías marcados con este símbolo no deben desecharse junto con los residuos domésticos normales.

Los productos y las baterías que contienen materiales que se puedan recuperar o reciclar reducen la demanda de materias primas.

Recicle los productos eléctricos y las baterías de conformidad con la normativa local. Puede obtener más información en [www.2helpU.com](http://www.2helpU.com)

**Datos técnicos**

		BESTA525 Tipo 1	BESTA528 Tipo 1	BESTA530 Tipo 1
Tensión	V <sub>CA</sub>	230	230	230
Potencia de entrada	W	450	550	550
Velocidad sin carga	min. <sup>-1</sup>	7500	7500	7500
Peso	kg	2.4	2.4	2.4

Nivel de presión acústica:	
Presión acústica (L <sub>pA</sub> )	81 dB(A), incertidumbre (K) 3 dB(A)
Potencia acústica (L <sub>WA</sub> )	93 dB(A), Incertidumbre (K) 2,6 dB(A)

Valores totales de vibraciones (suma vectorial triaxial) de acuerdo con la norma EN 50636-2-91:	
Valor de emisión de vibraciones (a <sub>v</sub> )	4,9 m/s <sup>2</sup> , incertidumbre (K) 1,7 m/s <sup>2</sup>

**Declaración de conformidad CE**  
DIRECTIVA DE MÁQUINAS  
DIRECTIVA SOBRE EL RUIDO EXTERIOR



BESTA525, BESTA528, BESTA530 - Cortabordes  
Black & Decker declara que los productos descritos en "datos técnicos" cumplen las siguientes normas:

2006/42/CE, EN60335-1:2012 +A11:2014,  
EN 50636-2-91:2014

2000/14/CE, Cortacésped, L ≤ 50 cm, Anexo VI  
DEKRA Certification B.V. Meander 1051 / P.O. Box 5185  
6825 MJ ARNHEM / 6802 ED ARNHEM, Netherlands  
N.º de ID del departamento notificado: 0344

Nivel de potencia acústica de acuerdo con la directiva  
2000/14/CE

(Artículo 12, Anexo III, L ≤ 50 cm):

L<sub>WA</sub> (potencia acústica medida) 93 dB(A)

Incertidumbre = 3 dB(A)

L<sub>WA</sub> (potencia acústica garantizada) 96 dB(A)

Estos productos también cumplen las Directivas 2014/30/UE y 2011/65/UE. Para más información, póngase en contacto con Black & Decker en la siguiente dirección o consulte la parte posterior del manual.

El abajo firmante es el responsable de la compilación del archivo técnico y realiza esta declaración en representación de Black & Decker.

R. Laverick  
Director de Ingeniería  
Black & Decker Europa, 210 Bath Road, Slough,  
Berkshire, SL1 3YD  
Reino Unido  
14/12/2017



## Garantía

Black & Decker confía en la calidad de sus productos y ofrece a los consumidores una garantía de 24 meses a partir de la fecha de compra. Esta garantía es adicional a sus derechos legales y no los menoscaba en modo alguno. La garantía es válida dentro de los territorios de los Estados Miembros de la Unión Europea y del Área de Libre Comercio Europea.

Para reclamar la garantía, la reclamación se debe presentar de conformidad con las condiciones de Black & Decker.

Tendrá que adjuntar un justificante de compra al vendedor o al agente técnico autorizado. Podrá obtener las condiciones de la garantía de 2 años de Black & Decker y la ubicación de su agente técnico autorizado más cercano en Internet en [www.2helpU.com](http://www.2helpU.com) o poniéndose en contacto con la oficina local de Black & Decker en la dirección que se indica en este manual:

Visite nuestro sitio web [www.blackanddecker.co.uk](http://www.blackanddecker.co.uk) para registrar su nuevo producto BLACK+DECKER y recibir noticias sobre nuevos productos y ofertas especiales.

## Utilização pretendida

Os aparadores BESTA525, BESTA528 e BESTA530 BLACK+DECKER foram concebidos para aparar as extremidades dos relvados e para cortar relva em espaços exíguos. Estas máquinas destinam-se apenas para utilização doméstica.

## Instruções de segurança

Atenção! Ao utilizar máquinas eléctricas, deve sempre cumprir medidas de segurança básicas, incluindo as que se seguem, de modo a reduzir os riscos de incêndio, choque eléctrico e ferimentos.

Atenção! Ao utilizar a máquina, terá de seguir as regras de segurança.

Para sua segurança e das outras pessoas, leia estas instruções antes de utilizar a máquina.

Mantenha as instruções em local seguro para futuras consultas.

- ◆ Leia este manual na íntegra e com atenção antes de utilizar a máquina.
- ◆ A utilização prevista para este aparelho está descrita no manual.
- ◆ A utilização de qualquer acessório ou a execução de qualquer operação com esta máquina que não esteja incluída no presente manual de instruções poderá representar um risco de ferimentos pessoais.
- ◆ Conserve este manual para referência futura.

## Utilização da máquina

Tenha sempre cuidado quando utilizar esta máquina.

- ◆ Utilize sempre óculos ou viseiras de protecção.

- ◆ Nunca deixe crianças ou pessoas que não estejam familiarizadas com estas instruções utilizar esta máquina.
- ◆ Nunca utilize a máquina enquanto estiverem pessoas, em especial crianças, ou animais nas proximidades.
- ◆ É necessária uma supervisão atenta quando a máquina está a ser utilizada próximo de crianças.
- ◆ Esta máquina não deve ser utilizada por jovens ou pessoas doentes sem supervisão.
- ◆ Esta máquina não deve ser utilizada como um brinquedo.
- ◆ Utilize apenas a máquina à luz do dia ou com uma boa luz artificial.
- ◆ Se o aparelho começar a vibrar anormalmente ou se bater num objecto estranho, desligue-o e remova a ficha da tomada. Verifique se existem danos no aparelho, substitua ou repare peças danificadas, procure e aperte peças soltas.
- ◆ Evite utilizar a máquina em más condições climáticas, especialmente se houver o risco de relâmpagos.
- ◆ Utilize-a apenas num local seco. Não deixe molhar a máquina.
- ◆ Não mergulhe a máquina dentro de água.
- ◆ Não abra a caixa do aparelho. Não existem peças para manipulação pelo utilizador no interior.
- ◆ Não utilize a máquina em áreas com risco de explosão, nas quais se encontrem líquidos, gases ou poeiras inflamáveis.

- ◆ Para reduzir o risco de danos nas fichas e cabos, nunca puxe o cabo para remover a ficha de uma tomada.

## Segurança de terceiros

- ◆ Não permita que **crianças**, pessoas com capacidade físicas, sensoriais ou mentais reduzidas ou falta de experiência ou conhecimentos ou não familiarizadas com estas instruções utilizem a máquina. Os regulamentos locais podem restringir a idade do operador.
- ◆ As crianças não devem mexer na máquina.
- ◆ A limpeza e manutenção não deverão ser efetuadas por crianças sem supervisão.

## Riscos residuais

Podem surgir riscos residuais adicionais durante a utilização da ferramenta, que poderão não constar nos avisos de segurança incluídos. Estes riscos podem resultar de má utilização, uso prolongado, etc.

Mesmo com o cumprimento dos regulamentos de segurança relevantes e a implementação de dispositivos de segurança, alguns riscos residuais não podem ser evitados. Estes incluem:

- ◆ Ferimentos causados pelo contacto com peças em rotação/movimento.
- ◆ Ferimentos causados durante a troca de peças, lâminas ou acessórios.
- ◆ Ferimentos causados pela utilização prolongada de uma ferramenta.  
Quando utilizar uma ferramenta

durante períodos prolongados, certifique-se de que faz pausas regularmente.

- ◆ Danos auditivos.
- ◆ Problemas de saúde causados pela inalação de poeiras resultantes da utilização da ferramenta (exemplo: trabalhos em madeira, especialmente carvalho, faia e MDF).

## Vibração

Os valores de emissão de vibração declarados na secção de dados técnicos e na declaração de conformidade foram medidos de acordo com o método de teste padrão fornecido pela EN EN50636 e podem ser utilizados para comparar ferramentas. O valor de emissão de vibração declarado pode ainda ser utilizado numa avaliação preliminar de exposição.

**Atenção!** O valor de emissão de vibração durante a utilização real da ferramenta elétrica pode ser diferente do valor declarado, dependendo da forma como a ferramenta é utilizada. O nível de vibração pode aumentar acima do nível indicado.

Quando avaliar a exposição da vibração para determinar as medidas de segurança exigidas pela Diretiva 2002/44/CE para proteger pessoas que utilizem regularmente ferramentas elétricas na sua atividade profissional, deve ser considerada uma estimativa de exposição de vibração, as condições

reais de utilização e o modo de utilização da ferramenta, incluindo ainda todas as partes do ciclo de funcionamento, como os períodos de inatividade e espera da ferramenta, além do tempo de funcionamento.

## Após a utilização

- ◆ Quando não for utilizada, a máquina deve ser guardada num local seco e com boa ventilação, fora do alcance das crianças.
- ◆ As crianças não devem ter acesso a máquinas armazenadas.
- ◆ Quando a máquina for guardada ou transportada num veículo, deve ser colocada na bagageira ou fixada de forma a evitar o movimento devido a alterações súbitas na velocidade ou direcção.

## Inspeção e reparações

- ◆ Antes da utilização, verifique a existência de peças danificadas ou avariadas na máquina. Verifique se existem peças partidas e quaisquer outras situações que possam afectar o bom funcionamento.
- ◆ Não utilize a máquina se alguma das peças se encontrar danificada ou avariada.
- ◆ Mandar reparar ou substituir quaisquer peças danificadas ou avariadas por um agente de reparação autorizado.
- ◆ Nunca tente retirar ou substituir quaisquer peças que não as especificadas neste manual.

## Instruções de segurança adicionais para aparadores de relva

**Atenção!** Os elementos de corte continuarão a rodar após o motor ter sido desligado.

- ◆ Familiarize-se com os controlos e a utilização adequada da máquina.
- ◆ Antes da utilização, verifique se o cabo de alimentação e a extensão eléctrica apresentam sinais de corrosão, danos ou desgaste. Se um cabo se danificar durante a utilização, desligue de imediato o aparelho da fonte de alimentação eléctrica. **NÃO TOQUE NO CABO DE ALIMENTAÇÃO ANTES DE DESLIGAR A FONTE DE ALIMENTAÇÃO ELÉCTRICA.**
- ◆ Não utilize a máquina se os cabos se encontrarem danificados ou apresentarem desgaste.
- ◆ Antes de utilizar a máquina e depois de qualquer impacto, procure sinais de desgaste ou peças danificadas e repare-as conforme necessário.
- ◆ Certifique-se sempre de que as ranhuras de ventilação se encontram livres de detritos.
- ◆ Use botas ou sapatos reforçados para proteger os pés.
- ◆ Use calças compridas para proteger as pernas.
- ◆ Antes de utilizar a máquina, verifique se o percurso de corte não tem paus, pedras, cabos e outros obstáculos.
- ◆ Utilize sempre a máquina na posição vertical, com a linha de corte junto ao chão. Nunca ligue a máquina noutra posição.
- ◆ Não tente chegar a pontos fora do alcance e mantenha sempre o equilíbrio. Tenha sempre cuidado ao deslocar-se perto de declives, ande normalmente e nunca corra.
- ◆ Não trabalhe em declives. Trabalhe ao longo dos declives, e nunca em sentido ascendente ou descendente.
- ◆ Quando utilizar a máquina, desloque-se lentamente. A relva acabada de cortar está molhada e escorregadia.
- ◆ Nunca atravesse caminhos de graxilha ou estradas com a máquina em funcionamento.
- ◆ Antes de desligar a máquina da fonte de alimentação, não toque em peças perigosas rotativas, aguarde até pararem por completo.
- ◆ Nunca toque na linha de corte com a máquina em funcionamento.
- ◆ Não pouse a máquina até a linha de corte parar completamente.
- ◆ Utilize sempre o tipo adequado de linha de corte. Nunca utilize linhas de corte metálicas nem linha de pesca.
- ◆ Tenha cuidado para não tocar na lâmina da linha de corte.
- ◆ Certifique-se sempre de que o cabo de alimentação se encontra afastado da linha de corte. Tenha sempre presente a posição do cabo.
- ◆ Mantenha sempre as mãos e os pés afastados da linha de corte, especialmente ao ligar o motor.

- ◆ Nunca utilize a máquina com protecções danificadas ou sem protecções.
- ◆ Tenha cuidado para que nenhum dispositivo montado no aparelho corte o filamento da linha. Depois de estender uma nova linha de corte, volte sempre a colocar a máquina na posição normal de funcionamento antes de a ligar.
- ◆ Não utilize o aparador de relva (aparador de extremidades) se os cabos se encontrarem danificados ou apresentarem sinais de desgaste.
- ◆ Mantenha os cabos de extensão afastados dos elementos de corte.

## Segurança eléctrica



Esta máquina tem isolamento duplo. Por esse motivo, não precisa de ligação à terra. Verifique sempre se a tensão da tomada de eletricidade corresponde à voltagem indicada na placa com os requisitos de alimentação da ferramenta.

- ◆ Se o cabo de alimentação estiver danificado, terá de ser substituído pelo fabricante ou por um centro de assistência autorizado BLACK+DECKER para evitar acidentes.
- ◆ A segurança eléctrica pode ser melhorada mediante a utilização de um Dispositivo de Corrente Residual (RCD) de alta sensibilidade (30 mA).

## Utilizar um cabo de extensão

Utilize sempre um cabo de extensão aprovado e adequado para a potência desta ferramenta (ver dados técnicos). O cabo de extensão deve ser adequado para utilização ao ar livre e marcado em conformidade. Poderá utilizar um cabo de extensão HO5VV-F de 1,5 mm<sup>2</sup> com uma extensão máxima 30 m, sem redução do desempenho do aparelho. Antes da utilização, verifique se o cabo de extensão apresenta sinais de envelhecimento, danos ou desgaste. Substitua o cabo de extensão se este se encontrar danificado ou avariado. Quando utilizar um enrolador de cabo, desenrole sempre o cabo completo.

## Etiquetas na máquina

A máquina apresenta os seguintes símbolos de aviso afixados, juntamente com o código de data:



**Atenção!** Antes de utilizar o aparelho, leia o manual.



Utilize óculos ou viseiras de proteção quando utilizar esta máquina.



Utilize protecções auditivas adequadas quando utilizar esta máquina.



Remova sempre a ficha da tomada antes de inspeccionar o cabo danificado. Tenha o cuidado de não utilizar o aparador caso o cabo se encontre danificado.



Esteja atento à projecção de objectos. Mantenha as pessoas afastadas da área de corte.



Não exponha a máquina à chuva ou a humidade elevada.



A potência sonora está em conformidade com a Directiva 2000/14/CE.

## Componentes

Esta máquina inclui algumas ou todas as características seguintes.

1. Interruptor de ligar/desligar
2. Fixação de cabos
3. Ficha do cabo de alimentação
4. Punho auxiliar
5. Cinta
6. Compartimento do motor
7. Roda da guia de régua (apenas nos modelos BESTA528 e BESTA530)
8. Protecção
9. Cilindro

## Montagem

**Atenção!** Antes da montagem, certifique-se de que a ferramenta está desligada e que não está ligada à corrente eléctrica.

### Fixação da protecção (fig. A e B)

- ◆ Volte o aparador ao contrário de modo a olhar para baixo e ver o cilindro (9).
- ◆ Remova o parafuso da protecção com uma chave de fendas phillips (não fornecida).
- ◆ Volte a protecção (8) ao contrário e faça-a deslizar completamente para o compartimento do motor (6). Certifique-se de que as patilhas (10) da protecção encaixam nas arestas (11) do compartimento do motor, como indicado na Fig. A. A patilha de bloqueio (25) deve ficar encaixada na ranhura do compartimento (26).
- ◆ Continue a fazer deslizar a protecção até ouvir um som de encaixe.
- ◆ Insira o parafuso da protecção e aperte-o com firmeza, como indicado na Fig. B para concluir a montagem da protecção.
- ◆ Após a instalação da protecção, remova a cobertura da lâmina da linha de corte, que se encontra na extremidade da protecção.

**Atenção!** Nunca utilize a ferramenta se a protecção não estiver montada correctamente.

### Montagem do manípulo auxiliar (Fig. C, D, E)

- ◆ Para montar o punho (4), prima os botões (12) em ambos os lados do compartimento superior, como indicado na Fig. C.
- ◆ Posicione o manípulo como indicado na Fig. D, fazendo corresponder o lado ranhurado do manípulo com o botão ranhurado. Empurre parcialmente o punho de modo a manter premidos os botões quando libertá-los com a mão.
- ◆ Empurre o punho totalmente para dentro do compartimento e posicione-o ligeiramente até encaixar no respectivo local (Fig. E).

- ◆ Para ajustar o manípulo para cima ou para baixo, prima o botão (13) e levante ou baixe o manípulo.
- ◆ O manípulo deve ser ajustado para que o braço dianteiro fique direito quando o aparador estiver na posição de trabalho.

### Ajuste da altura (Fig. F)

- ◆ A altura geral do aparador pode ser ajustada afrouxando o botão (5) e rodando-o na direcção da seta, como indicado na Fig. G.
- ◆ Mova o compartimento superior para cima ou para baixo. Quando for atingida a altura pretendida, aperte o botão, rodando-o na direcção oposta à indicada na Fig. F.

### Colocar as extensões (Fig. B)

Um sistema de fixação da extensão (2) está integrado na pega do interruptor, que impede a libertação do fio.

- ◆ Para utilizar esta funcionalidade, basta dobrar a extensão cerca de 203 mm a partir da extremidade e inseri-la na ranhura (14) na extremidade da área do manípulo, como indicado na Fig. G.
- ◆ Pendure o laço formado, dobrando o fio sobre a patilha (2). Puxe com cuidado o fio para certificar-se de que está encaixado com firmeza no manípulo do aparador.
- ◆ Ligue a extremidade da tomada da extensão no cabo de alimentação (3) do aparador.

### Soltar a linha de corte

Durante o transporte, a linha de corte encontra-se colada com fita adesiva ao compartimento do cilindro.

**Atenção!** Desligue o aparador da tomada eléctrica.

- ◆ Remova a fita adesiva que prende a linha de corte ao compartimento do cilindro.
- ◆ Consulte "Substituir o cilindro" para obter instruções sobre como remover o cilindro.

### Posição correcta das mãos

A posição correcta das mãos requer a colocação de uma mão no manípulo principal e a outra no manípulo auxiliar (4).

### Ligar e desligar

Para ligar o aparador, pressione o interruptor de accionamento (1).

Para desligar o aparador, solte o interruptor de accionamento.

### Utilizar o aparador

- ◆ Com a unidade ligada, ajuste o ângulo e faça oscilar o aparador de um lado para o outro como demonstrado na Figura H.
- ◆ Mantenha um ângulo de corte de 5° a 10°, como indicado na Fig. J. Não ultrapasse os 10° (Fig. J). Corte com a ponta da linha. Use a roda da extremidade (7) para manter a distância em relação a superfícies duras.

- ◆ Mantenha uma distância mínima de 600 mm) entre a protecção e os seus pés, como indicado na Fig. I. Para obter esta distância, ajuste a altura geral do aparador, como indicado na Fig. F.

### Converter para o modo de aparagem (Fig. K)

O aparador pode ser utilizado para podar ou para aparar as extremidades dos relvados ou dos canteiros.

**Atenção!** Desligue a ficha da tomada antes de efectuar quaisquer ajustes.

**Atenção!** Ao ser utilizado como aparador, a linha pode projectar pedras, pedaços de metal e outros objectos a alta velocidade. O aparador e a protecção foram concebidos para reduzir o perigo. No entanto, **CERTIFIQUE-SE** de que não existem pessoas ou animais a uma distância inferior a 30 m.

- ◆ Para utilizar a ferramenta como aparador de manutenção, rode o botão (5) como indicado na parte 1 da Fig. K.
- ◆ Segure no eixo de metal e rode o compartimento inferior num ângulo de 180°, como indicado na Fig. K.
- ◆ Rode o botão até ficar apertado.

**Nota:** O eixo de metal e o compartimento só rodam num sentido.

- ◆ Para voltar para a posição de corte, afrouxe o botão de bloqueio, rode o compartimento inferior de novo para um ângulo de 180° e volte a apertar o botão.

### Aparagem (Fig. L)

Os resultados ideais de corte são obtidos em arestas com profundidade superior a 50 mm. Não utilize este aparador para fazer fossos.

- ◆ Oriente o aparador utilizando a guia de régua rotativa (7), conforme demonstrado na Fig. L.
- ◆ Posicione a guia de régua rotativa na extremidade do pavimento ou da superfície abrasiva, para que a linha de corte permaneça sobre a área de relva ou terra a ser aparada.

**Nota:** Se utilizar a guia de régua com roda, o Sistema de alimentação automático pode não funcionar correctamente.

**Nota:** Vai verificar que a experiência é mais rápida do que o desgaste da linha de corte normal se a guia de régua estiver muito afastada da extremidade com a linha posicionada sobre o pavimento ou uma superfície abrasiva.

- ◆ Para cortes mais próximos, incline ligeiramente o aparador.
- ◆ Volte para a posição de corte, afrouxando o botão de bloqueio e rodando o compartimento inferior de novo para um ângulo de 180°. A ferramenta fica bloqueada na posição de corte.

### Linha de corte/linha de alimentação

O aparador utiliza um fio de nylon redondo, com 1,65 mm de diâmetro. Durante a utilização, as pontas dos fios de nylon começam a desfiar e ficam gastos, e o cilindro de alimentação

automática especial é inserido automaticamente e corta um novo comprimento de fio. A linha de corte apresentará um desgaste mais rápido e necessitará de ser substituída se o corte ou a aparagem forem efectuados ao longo de pavimentos ou outras superfícies abrasivas ou se cortar ervas mais resistentes. O avançado mecanismo de alimentação da linha automático detecta quando é necessária mais de uma linha de corte e introduz e apara o comprimento correcto da linha sempre que for necessário. Não bata com o aparador no chão para tentar introduzir a linha ou para qualquer outra finalidade.

### Ajuda para cortar pontas

- ◆ Utilize a ponta do fio para fazer o corte. Não force a parte superior do fio na direcção da relva que pretende cortar.
- ◆ Os arames e as vedações causam um desgaste adicional do fio, podendo até parti-lo. As paredes de pedra e de tijolo, parapeitos e madeira podem desgastar o fio rapidamente.
- ◆ Não permita que a tampa do cilindro arraste no chão ou noutras superfícies.
- ◆ Se o material que pretende cortar for comprido, faça o corte de cima para baixo e não o faça a uma altura superior a 300 mm.
- ◆ Mantenha o aparador inclinado para a área que pretende cortar. Esta é a melhor área de corte.
- ◆ O aparador corta quando atravessa a unidade da esquerda para a direita. Deste modo, não são projectadas aparas para o utilizador.
- ◆ Evite cortar árvores e arbustos. O fio pode danificar facilmente cascas de árvore, madeira com cercaduras, revestimentos exteriores e postes de cercas.

### Substituir o cilindro (Fig. M, N, O, P)

**Atenção!** Para reduzir o risco de ferimentos graves, desligue a unidade e retire a ficha da tomada de electricidade antes de efectuar quaisquer ajustes ou de retirar/installar dispositivos complementares ou acessórios. Um arranque acidental pode causar lesões

- ◆ Mantenha as patilhas (15) premidas e remova o tampão do cilindro (25) do compartimento do cilindro (16) na cabeça do aparador (Fig. M).
- ◆ Para os melhores resultados, substitua o cilindro com o modelo n.º A6481 da BLACK+DECKER.
- ◆ Segure no cilindro vazio com uma mão e no compartimento com a outra, e puxe o cilindro para fora.
- ◆ Se a alavanca (17) (Fig. N) na base do compartimento sair do lugar, volte a colocá-la na posição correcta antes de inserir o novo cilindro no compartimento.
- ◆ Remova a erva e poeiras do cilindro e do compartimento.
- ◆ Desaperte a extremidade da linha de corte e coloque a linha no ilhó (19) Fig. O.
- ◆ Coloque o novo cilindro e empurre-o no cubo (18) no

compartimento (Fig. N). Rode ligeiramente o cilindro até encaixar. A linha deverá sair aproximadamente 136 mm do compartimento.

- ◆ Alinhe as patilhas do tampão do cilindro com as ranhuras (20) no compartimento (Fig. P).
- ◆ Empurre o tampão em direcção ao compartimento até encaixar de forma firme na posição respectiva.

**Atenção!** Para evitar danos no aparador se a linha de corte ultrapassar a lâmina de corte, corte-a para que chegue apenas até à lâmina.

## Rebobinar o cilindro da linha grossa (Fig. Q, R, S)

Os cilindros de linha de corte sobresselentes encontram-se disponíveis no seu revendedor BLACK+DECKER. Estão também disponíveis pacotes com 3 cilindros de linha de corte.

- ◆ Desligue a ferramenta.
- ◆ Remova o cilindro vazio do aparador, conforme descrito em "SUBSTITUIR O CILINDRO".
- ◆ Remova do cilindro a linha de corte que eventualmente sobrar.
- ◆ Dobre a extremidade da linha de corte aos 19 mm (21). Insira a linha de corte num dos encaixes de linha (22) conforme demonstrado na Fig. Q.

**Nota:** Tenha cuidado para não permitir que a linha do cilindro se desenrede. Segure-a sempre com firmeza com uma das mãos.

- ◆ Insira a extremidade da linha grossa de 19 mm no orifício (23) no cilindro adjacente à ranhura, como indicado na Fig. R. Certifique-se de que a linha é puxada com firmeza contra o cilindro, como indicado na Fig. S.
- ◆ Enrole a linha de corte no cilindro, no sentido da seta visível no mesmo. Certifique-se de que enrola a linha de forma ordenada, por camadas. Não cruze as linhas (Fig. S).
- ◆ Quando a linha de corte enrolada chegar ao encaixe (24), corte a linha. (Fig. R).
- ◆ Encaixe o cilindro no aparador conforme descrito em "SUBSTITUIR O CILINDRO".

**Atenção!** Utilize apenas o tipo de linha de corte adequado antes de iniciar a poda.

## Resolução de problemas

Se achar que a sua ferramenta não está a funcionar correctamente, siga as instruções abaixo. Se não conseguir resolver o problema, contacte o agente local de reparação BLACK+DECKER.

**Atenção!** Antes de continuar, desligue a ferramenta.

## A ferramenta está lenta

- ◆ Verifique se o compartimento do cilindro pode rodar livremente. Se necessário, limpe-o cuidadosamente.
- ◆ Certifique-se de que não saem do compartimento do

cilindro mais do que aproximadamente 136mm do cilindro. Caso contrário, corte-a para que chegue apenas até à lâmina da linha de corte.

## A alimentação automática de linha não funciona

- ◆ Retire o tampão do cilindro.
- ◆ Puxe a linha de corte até que saia cerca de 136mm do cilindro. Se a linha de corte restante no cilindro for insuficiente, instale um novo cilindro de linha de corte.
- ◆ Verifique se a linha não está cruzada no cilindro, como indicado em pormenor na Fig. S. Se estiver, desenrole a linha de corte, volte a enrolar a linha de corte e depois enrolar-a de novo no cilindro com cuidado para que as linhas não fiquem cruzadas.
- ◆ Certifique-se de que a ponta da linha de corte está bem apertada contra o cilindro, conforme indicado na Fig. S.
- ◆ Alinhe as patilhas da tampa do cilindro com os recortes do compartimento.
- ◆ Empurre a tampa do cilindro na direcção do compartimento até encaixar de forma firme na posição respectiva.
- ◆ Se a linha de corte ultrapassar a lâmina de corte, corte-a para que chegue apenas até à lâmina. Se a alimentação automática de linha continuar a não funcionar ou o cilindro estiver encravado, experimente as seguintes sugestões:
  - ◆ Limpe cuidadosamente o cilindro e o compartimento.
  - ◆ Remova o cilindro e verifique se a alavanca no cilindro se pode movimentar sem restrições.
  - ◆ Remova o cilindro e desenrole a linha de corte. Em seguida volte a enrolá-la de forma ordenada. Volte a colocar o cilindro no compartimento.

## Manutenção

A máquina/ferramenta com/sem fios BLACK+DECKER foi concebido para funcionar durante muito tempo, com um mínimo de manutenção. O funcionamento contínuo e satisfatório depende de uma manutenção adequada e limpeza regular da ferramenta/máquina.

O seu carregador não necessita de manutenção para além da limpeza regular.

**Atenção!** Antes de proceder a qualquer ação de manutenção em ferramentas eléctricas com cabo/sem fios:

- ◆ Desligue a máquina/ferramenta e retire a respectiva ficha da tomada.
- ◆ Ou desligue e remova a bateria da máquina/ferramenta caso a máquina/ferramenta tenha uma bateria individual.
- ◆ Também pode deixar a bateria descarregar completamente se for integral e, em seguida, desligue-a.
- ◆ Desligue o carregador antes de o limpar. O seu carregador não necessita de manutenção para além da limpeza regular.



- ◆ Limpe regularmente as aberturas de ventilação da ferramenta/máquina e o carregador com uma escova suave ou um pano seco.
- ◆ Limpe regularmente o compartimento do motor com um pano húmido. Não utilize produtos de limpeza abrasivos ou à base de dissolventes.
- ◆ Limpe regularmente a linha de corte e o cilindro com uma escova ou um pano seco e suave.
- ◆ Utilize regularmente uma raspadeira para remover relva e sujidade da parte inferior da protecção.

## Protecção do ambiente



Faça uma recolha de lixo seletiva. Os produtos e baterias assinalados com este símbolo não devem ser eliminados em conjunto com resíduos domésticos normais.

Os produtos e as baterias contêm materiais que podem ser recuperados ou reciclados, reduzindo assim a necessidade de matérias-primas.

Recicle os produtos elétricos e as baterias de acordo com as disposições locais. Estão disponíveis mais informações em [www.2helpU.com](http://www.2helpU.com)

## Dados técnicos

		BESTA525 Tipo 1	BESTA528 Tipo 1	BESTA530 Tipo 1
Tensão	$V_{AC}$	230	230	230
Alimentação	W	450	550	550
Velocidade sem carga	min. <sup>-1</sup>	7500	7500	7500
Peso	kg	2,4	2,4	2,4

Nível de pressão acústica:	
Pressão acústica ( $L_{pA}$ )	81 dB(A), variabilidade (K) 3 dB(A)
Potência acústica ( $L_{WA}$ )	93 dB(A), incerteza (K) 2,6 dB(A)

Valores totais de vibração (soma vectores triax) de acordo com a EN 50636-2-91:	
Valor de emissão de vibrações ( $a_{v1}$ )	4,9 m/s <sup>2</sup> , imprecisão (K) 1,7 m/s <sup>2</sup>

## Declaração de conformidade CE

DIRETIVA "MÁQUINAS"  
DIRETIVA SOBRE RUIDO EXTERIOR



BESTA525, BESTA528, BESTA530 - Aparador  
A Black & Decker declara que os produtos descritos nos  
"dados técnicos" estão em conformidade com:

2006/42/CE, EN60335-1:2012 +A11:2014,  
EN 50636-2-91:2014

2000/14/CE, aparador de relva, L ≤ 50 cm, Anexo VI  
Certificação da DEKRA Certification B.V. Meander 1051/P.O.  
Box 5185

6825 MJ ARNHEM / 6802 ED ARNHEM, Holanda  
N.º de ID do Organismo Notificado: 0344

Nível de potência acústica em conformidade com 2000/14/CE  
(Artigo 12, Anexo III, C ≤ 50 cm):

$L_{WA}$  (potência acústica medida) 93 dB(A)

Imprecisão = 3 dB (A)

$L_{WA}$  (potência sonora garantida) 96 dB(A)

Estes produtos estão também em conformidade com  
a Diretiva 2014/30/UE e 2011/65/UE. Para obter mais  
informações, contacte a Black & Decker através do endereço  
seguinte ou consulte o verso do manual.

O signatário é responsável pela compilação do ficheiro  
técnico e efetua esta declaração em nome da Black & Decker.

R. Laverick  
Diretor de Engenharia  
Black & Decker Europe, 210 Bath Road, Slough,  
Berkshire, SL1 3YD  
Reino Unido  
14/12/2017

## Garantia

A Black & Decker confia na qualidade dos seus produtos e oferece aos clientes uma garantia de 24 meses a partir da data de compra. Esta garantia é um complemento dos seus direitos estabelecidos por lei, não os prejudicando de forma alguma. A garantia é válida nos Estados-membros da União Europeia e nos países-membros da Zona Europeia de Comércio Livre.

Para acionar a garantia, esta deve estar em conformidade com os termos e condições da Black & Decker e terá de apresentar comprovativos de compra ao vendedor ou a um agente de reparação autorizado. Os termos e condições da garantia de 2 anos da Black & Decker e a localização do agente de reparação autorizado mais próximo podem ser obtidos na Internet em [www.2helpU.com](http://www.2helpU.com) ou contactando uma filial da Black & Decker, cuja morada está indicada neste manual:

Visite o nosso Website [www.blackanddecker.co.uk](http://www.blackanddecker.co.uk) para registar o novo produto BLACK+DECKER e manter-se actualizado relativamente a novos produtos e ofertas especiais.

### Avsedd användning

Din BLACK+DECKER BESTA525, BESTA528 och BESTA530 trimmer är avsedd för trimning av gräsmattans kanter och för klippning av gräs på begränsade områden. Dessa maskiner är endast avsedda för konsumentbruk.

## Säkerhetsinstruktioner

**Varning!** Vid användning av nätdrivna maskiner ska allmänna säkerhetsåtgärder, inklusive följande, alltid vidtas. Detta för att förhindra brand, elstötar, person- och materialskador.

**Varning!** Vid användning av maskinen ska säkerhetsföreskrifterna följas. För din egen och närvarande personers säkerhet bör du läsa dessa instruktioner innan du använder maskinen.

Spara instruktionerna för senare bruk.

- ◆ Läs hela den här bruksanvisningen noggrant innan du börjar använda maskinen.
- ◆ Avsedd användning beskrivs i den här bruksanvisningen. Använd inte maskinen med andra tillbehör eller tillsatser än de som rekommenderas i den här bruksanvisningen eftersom detta kan leda till personskador.
- ◆ Spara den här bruksanvisningen för framtida bruk.

## Använda maskinen

Var alltid försiktig när du använder maskinen.

- ◆ Använd alltid säkerhetsglasögon eller skyddsglasögon.
- ◆ Låt aldrig barn eller personer som inte har läst instruktionerna använda maskinen.

- ◆ Använd inte maskinen i närheten av andra människor, främst **barn** eller husdjur.
- ◆ Om det finns barn i närheten när du använder maskinen ska du övervaka dem noga.
- ◆ Maskinen är inte avsett att användas av unga eller oerfarna personer utan övervakning.
- ◆ Denna maskin ska inte användas som leksak.
- ◆ Använd endast maskinen i dagsljus eller i tillräcklig artificiell belysning.
- ◆ Använd endast på torra platser. Se till att maskinen inte blir våt.
- ◆ Doppa aldrig ned maskinen i vatten.
- ◆ Öppna inte höljet. Det finns inga servicebara delar inuti.
- ◆ För att undvika explosionsrisk bör du inte använda maskinen i omgivningar med brandfarliga vätskor, gaser eller damm.
- ◆ Dra aldrig i sladden när du vill ta ut kontakten ur uttaget. Detta för att minska risken för skador på kontakter och sladdar.

## Andras säkerhet

- ◆ Låt aldrig **barn** eller personer med reducerad sensorisk eller mental kapacitet eller utan erfarenhet eller kunskap eller personer som är obekant med dessa instruktioner använda maskinen, lokala bestämmelser kan begränsa åldern hos operatören.
- ◆ Barn ska inte leka med maskinen. Rengöring och användarunderhåll ska inte utföras av barn utan övervakning.

## Återstående risker

Ytterligare risker som inte finns med i de bifogade säkerhetsanvisningarna kan uppstå när verktyget används.

Dessa risker kan uppstå vid felaktig eller långvarig användning, etc.

Även om alla relevanta säkerhetsanvisningar följs och säkerhetsanordningar används kan vissa ytterligare risker inte undvikas. Dessa omfattar:

- ◆ Skador orsakade av att roterande/rörliga delar vidrörs.
- ◆ Skador som uppstår vid byte av delar, blad eller tillbehör.
- ◆ Skador som orsakas av långvarig användning av ett verktyg. Se till att regelbundet ta vilopauser när du använder ett verktyg under en längre period.
- ◆ Hörselnedsättning.
- ◆ Hälsorisker orsakade av inandning av damm när verktyget används (exempel: arbete med trä, särskilt ek, bok och MDF).

## Vibrationer

De vibrationsvärden som anges i avsnitten Tekniska data och deklarationen om överensstämmelse har uppmätts i enlighet med en standardtestmetod föreskriven i EN50636 och kan användas för jämförelse med andra verktyg. Det angivna vibrationsvärdet kan även användas för en preliminär bedömning av exponeringen.

**Varning!** Vibrationsvärdet under faktisk användning av elverktyget kan skilja sig från det uppgivna värdet beroende på hur verktyget används. Vibrationsnivån kan överstiga den uppgivna nivån.

Vid uppskattningar av exponering för vibrationer i syfte att bedöma vilka säkerhetsåtgärder som är nödvändiga enligt 2002/44/EG för att skydda personer som regelbundet använder elverktyg i arbetet ska man utgå från de faktiska omständigheter under vilka elverktyget används och sättet på vilket det används. Bedömningen ska även ta hänsyn till alla moment i arbetscykeln, t.ex. när verktyget är avstängt och när det går på tomgång såväl som när det faktiskt används.

## Efter användning

- ◆ När den inte används bör maskinen förvaras utom räckhåll för barn på en torr plats med god ventilation.
- ◆ Placera maskinen på en plats där barn inte kan komma åt den.
- ◆ När maskinen förvaras eller transporteras i en bil, ska den placeras i bagageutrymmet eller spännas fast för att förhindra rörelse till följd av plötsliga ändringar i hastighet eller riktning.

## Kontroll och reparationer

- ◆ Kontrollera innan användning att maskinen inte är skadad eller har defekta delar. Kontrollera att inga delar

är trasiga och att inget annat föreligger som kan påverka redskapets funktion.

- ◆ Använd inte maskinen om någon del är skadad eller defekt.
- ◆ Låt en auktoriserad verkstad reparera eller byta ut skadade eller trasiga delar.
- ◆ Försök aldrig avlägsna eller byta ut andra delar än de som anges i den här bruksanvisningen.

## Ytterligare säkerhetsanvisningar för grästrimmer

**Varning!** Skärande delar fortsätter att rotera en kort stund efter att du har stängt av motorn.

- ◆ Bekanta dig med reglagen och ta reda på hur maskinen ska användas.
- ◆ Före användning kontrollerar du om elsladden och förlängningssladden visar tecken på skador, åldrande eller slitage. Om en sladd skadas när du använder redskapet kopplar du omedelbart bort sladden från elnätet. RÖR INTE VID SLADDEN INNAN DU KOPPLATS IFRÅN DEN FRÅN UTTAGET.
- ◆ Använd inte maskinen om sladdarna är skadade eller utslitna.
- ◆ Innan du använder maskinen och efter alla sorters stötar, bör du undersöka om den visar tecken på slitage eller skada och reparera på lämpligt vis.
- ◆ Kontrollera alltid att ventilationsöppningarna hålls fria från skräp.

- ◆ Bär kraftiga skor eller stövlar för att skydda dina fötter.
- ◆ Bär långbyxor för att skydda dina ben.
- ◆ Innan du använder maskinen ska du se till att det område som ska trimmas är fritt från grenar, stenar, ledningar och andra hinder.
- ◆ Använd endast maskinen i upprätt position med klipptråden nära marken. Slå aldrig på maskinen i någon annan position.
- ◆ Sträck dig inte för långt och håll alltid balansen. Se alltid till att ha bra fotfäste. Gå alltid, spring aldrig.
- ◆ Använd inte redskapet på branta sluttningar. Arbeta tvärs över sluttningar, inte upp och ner.
- ◆ Rör dig långsamt när du använder maskinen. Tänk på att nyklippt gräs är fuktigt och halt.
- ◆ Korsa inte grusgångar eller vägar medan maskinen är i drift.
- ◆ Vidrör inte rörliga delar innan maskinen är bortkopplad från elnätet och de förliga och farliga delarna har stannat helt.
- ◆ Vidrör aldrig trimmertråden när maskinen körs.
- ◆ Sätt inte ner maskinen förrän trimmertråden har slutat rotera helt.
- ◆ Använd endast rätt sorts klipptråden. Använd aldrig trimmertråd i metall eller fiskelina.
- ◆ Var noggrann med att aldrig röra vid skärbladet.
- ◆ Var noga med att hålla sladden borta från trimmertråden. Håll hela tiden reda på var sladden befinner sig.

- ◆ Håll alltid händer och fötter borta från trimmertråden, särskilt då motorn startas.
- ◆ Använd inte maskinen med skadade skydd eller utan skydden på plats.
- ◆ Var försiktig så att du inte skadas av anordningar för justering av fiberlinans längd. Efter att ha dragit ut ny trimmertråd ska du alltid placera maskinen i normalt driftläge innan den startas.
- ◆ Använd inte grästrimmern (kanttrimmern) om sladdarna är skadade eller utslitna.
- ◆ Håll förlängningssladdar borta från skärande delar.

## Elsäkerhet



Denna maskin är dubbelisolerat därför behövs ingen jordledare. Kontrollera alltid att spänningen på nätet motsvarar den spänning som finns angiven på märkplåten.

- ◆ Om nätsladden är skadad måste den bytas ut av tillverkaren eller en auktoriserad BLACK+DECKER-verkstad för att undvika farliga situationer.
- ◆ Elsäkerheten kan förbättras ytterligare genom att man använder en jordfelsbrytare med hög känslighet (30 mA).

## Etiketter på maskinen

Följande varningssymboler finns på maskinen tillsammans med datumkoden:



**Varning!** Läs bruksanvisningen innan användning.



Bär alltid skydds- eller korgglasögon när du använder maskinen.



Bär alltid hörselskydd när du använder maskinen.



Dra alltid ur kontakten ur eluttaget innan du undersöker en skadad sladd. Använd aldrig trimmern om sladden är skadad.



Se upp för flygande föremål. Håll andra personer borta från arbetsområdet.



Utsätt inte maskinen för regn eller hög luftfuktighet.



Garanterad ljudnivå enligt direktiv 2000/14/EG.

## Funktioner

Denna maskin har några eller samtliga av följande funktioner.

1. Strömbrytare
2. Sladdhållare
3. Nätsladdskontakt
4. Extrahandtag
5. Krage
6. Motorhölje
7. Kantstyrningshjul (endast BESTA528 och BESTA530)
8. Skydd
9. Spole

## Montering

**Varning!** Se till att verktyget är avstängt och att det inte är anslutet innan monteringen börjar.

### Montera skyddet (bild A och B)

- ◆ Vänd trimmern upp och ned, så att du tittar ned på spolen (9).
- ◆ Ta bort skruven från skyddet med en stjämskruvmejsel (medföljer inte).
- ◆ Vänd skyddet (8) upp och ned och skjut på det helt på trimmerhuvudet (6). Se till att flikarna (10) på skyddet passar i räfflorna (11) på motorhöljet såsom visas i bild A. Låsspärren (25) ska knäppa fast i skåran på höljet (26).
- ◆ Försätt skjuta på skyddet tills du hör det "snäppa" på plats.

- ◆ Sätt in skyddets skruv och dra åt såsom visas i bild B för att fullfölja skyddsmontaget.
- ◆ När skyddet är installerat tar du bort det som täcker bladet som skär av linan vid kanten på skyddet.

**Varning!** Använd aldrig verktyget om inte skyddet är korrekt monterat och sitter fast på plats.

### Sätta fast extrahandtaget på redskapet (bild C, D, E)

- ◆ För att montera handtaget (4), tryck på knapparna (12) på båda sidorna av höljets övre del såsom visas i bild C.
- ◆ Placera handtaget såsom visas i bild D, matcha den räfflade sidan på handtaget med den räfflade knappen. Skjut på handtaget delvis, så att knapparna hålls intryckta när du släpper dem med händerna.
- ◆ Skjut handtaget på höljet helt och hållet och sök dess riktiga läge tills det "snäpper" på plats (bild E).
- ◆ För att justera handtaget i höjddled, tryck på knappen (13) och höj eller sänk handtaget.
- ◆ Handtaget bör vara justerat så, att din främre arm är rakt sträckt när trimmern befinner sig i arbetsposition.

### Höjjustering (bild F)

- ◆ Den generella höjden på trimmern kan ställas in genom att lossa hylsan (5) och vrida den i pilens riktning såsom visas i bild G.
- ◆ Flytta det övre höljet rakt upp. När önskad höjd uppnåtts, dra åt hylsan genom att vrida den i motsatt riktning såsom visas i bild F.

### Fästa förlängningssladd (bild G)

En hållare (2) för förlängningssladden är inbyggd i omkopplarhandtaget som förhindrar att sladden dras ur.

- ◆ För att använda denna funktion dubbla helt enkelt förlängningssladden ungefär 203 mm från änden och sätt in den i öppningen (14) i änden av handtagsområdet såsom visas i bild G.
- ◆ Haka fast ögla som formats genom att dubbla sladden över fliken (2). Dra försiktigt i sladden för att garantera att den sitter fast i trimmerns handtag.
- ◆ Koppla in hållarändan av förlängningssladden i strömsladdens kontakt (3) i trimmern.

### Lossa trimmertråden

Under transport är trimmertråden fasttejpad vid spolhöljet.

**Varning!** Innan monteringen koppla bort apparaten från nätanslutningen.

- ◆ Lossa på tejen över trimmertråden på spolhöljet.
- ◆ Se "Byte av spole" för instruktioner om att ta bort spolen.

### Korrekt handposition

Rätt handposition kräver ena handen på det huvudhandtaget och en hand på sidohandtaget (4).

### Slå på och stänga av

Starta trimmern genom att trycka in avtryckaren (1).

Stäng av trimmern genom att släppa upp avtryckaren.

### Använda trimmern

- ◆ Med enheten påslagen vinklar och svänger du trimmern från sida till sida såsom visas i bild H.
- ◆ Se till att du har en skärvinkel på 5° till 10° enligt bild J. Överskrid inte 10° (bild J). Skär med spetsen på linan. Använd kantguiden (7) för att hålla avstånd till hårda ytor.
- ◆ Håll ett minimiavstånd på 600 mm mellan styrningen och dina fötter såsom visas i bild I. För att få detta avstånd justera den generella höjden på trimmerns såsom visas i bild F.

### Ändra till kantningsläge (bild K)

Trimmern kan användas i trimningsläge eller i kantningsläge när du behöver trimma gräs som hänger över gräsmattans kanter.

**Varning!** Dra ur kontakten ur eluttaget innan du gör några justeringar.

**Varning!** När den används för kantning kan linan kasta ut stenar, metallbitar och andra föremål med hög hastighet. Trimmern och skyddet är utformade för att minska faran. **SE TILL** att andra människor och husdjur befinner sig minst 30 m bort.

- ◆ För att använda den som en underhållskantrimmer, vrid på hylsan (5) såsom visas i bild K.
- ◆ Håll metallskafvet och vrid på det nedre höljet 180° såsom visas i bild K.
- ◆ Vrid tillbaka hylsan tills den sitter fast.

**Notera:** Metallskafvet och höljet roterar bara i en riktning.

- ◆ Vrid tillbaka till trimningsposition, lossa låshylsan och vrida det nedre höljet tillbaka 180° och dra åt hylsan igen.

### Kantklippning (bild L)

Optimalt klippresultat uppnås på kanter som är djupare än 50 mm. Använd inte denna trimmer för att skapa diken.

- ◆ Använd kanthjulet (7) för att styra trimmern såsom visas i bild L.
- ◆ Placera kanthjulet på kanten av gångbanan eller den skrovliga ytan så att trimmertråden befinner sig ovanför det gräs- eller jordområde som ska kantas.

**Notera:** Det automatiska matningssystemet kanske inte fungerar korrekt om hjulkantstyrningen inte används.

**Notera:** Du kommer att märka ett snabbare trådsitage är vid normal klippning om kanthjulet är placerat för långt från kanten med trimmertråden över gångbanan eller skrovliga ytan.

- ◆ Om du vill ha kortare gräs lutar du trimmern lite.
- ◆ Vrid tillbaka till trimningsposition genom att lossa låshylsan och vrida det nedre höljet tillbaka 180°. Verktyget kommer att låsas i trimmerpositionen.

## Trimmertråd/trådmatning

Din trimmer använder rund nylontråd med 1,65 mm i diameter. Under användningen kommer spetsen på nylontråden att nötas och sliten och den särskilda matarspelen kommer automatiskt att mata ut och trimma en ny längd på linan. Trimmertråden slits snabbare och kräver mer utmatning om klippning och trimningen sker längs gångbanor eller andra sträva ytor eller om kraftiga växter trimmas. Den avancerade automatiska trådmatningsmekanismen känner av när med klipptråd behövs och matar och trimmar den i korrekt längd när så behövs. Studsa inte med trimmern på marken i försök att få den att mata ut tråd eller för något annat syfte.

## Praktiska klippråd

- ◆ Använd spetsen på tråden för att klippa, tvinga inte trådhuset in i oklippt gräs.
- ◆ Tråd och stängsel sliter extra mycket på tråden och gör även att den går av. Sten- och tegelväggar, kantsten och trä kan slita på tråden mycket snabbt.
- ◆ Låt inte spollocket dras på marken eller andra ytor.
- ◆ Vid trimning av höga växter klipp ovanifrån och ned men överstig inte 300 mm i höjd.
- ◆ Håll trimmern lutad mot området som skall klippas, detta är bästa klippområdet.
- ◆ Trimmern klipper ner enheten passerar från höger till vänster. Detta kommer att undvika att skräp kastas på operatören.
- ◆ Undvik träd och buskar. Trädbark, träformationer, fasader och staketstolpar kan lätt skadas av tråden.

## Byta spolen (bild M, N, O, P)

**Varning!** För att minska risken för allvarlig personskada, stäng av enheten och koppla bort den från strömkällan innan du gör några justeringar eller tar bort/installerar tillsatser eller tillbehör. En oavsiktlig start kan orsaka skador

- ◆ Håll spärrarna (15) intryckta och ta bort spollocket (25) från spolkölet (16) i trimmerhuvudet (bild M).
- ◆ För bästa resultat ersätter du spolen med BLACK+DECKER modell nr. A6481.
- ◆ Håll i den tomma spolen med en hand och spolkölet med den andra handen och dra ut spolen.
- ◆ Om spaken (17) (bild N) på kölets undersida rubbas ur läge återställer du läget innan du sätter i en ny spole i kölet.
- ◆ Avlägsna smuts och gräs från spolen och kölet.
- ◆ Lossa änden på trimmertråden och styr in tråden genom öppningen (19) bild O.
- ◆ Ta den nya spolen och tryck fast den på centrumdelen (18) i kölet (bild N). Vrid spolen lätt tills den sitter fast. Tråden bör sticka ut ungefär 136 mm från kölet.
- ◆ Placera spärrarna på spollocket i linje med öppningarna (20) i spolhuset (bild P).

- ◆ Tryck fast locket på kölet tills det klickar på plats ordentligt.

**Varning!** För att undvika skador på trimmern klipper du av trimmertråden om den sticker ut längre än skärbladet så att den bara når till bladet.

## Linda om spolen med bulkråd (bild Q, R, S)

Spolar med trimmertråd finns att köpa hos din BLACK+DECKER-återförsäljare. Paketet med tre spolar trimmertråd finns också att köpa.

- ◆ Dra ur kontakten.
- ◆ Ta loss den tomma spolen från trimmern enligt beskrivningen i "BYTA SPOLEN".
- ◆ Ta bort eventuell kvarvarande trimmertråd från spolen.
- ◆ Böj trimmertråden ungefär 19 mm längst ut (21). Mata in trimmertråden i en av trådens förankringsöppningar (22) såsom visas i bild Q.

**Notera:** Se till att linan på spolen inte trasslar ihop sig. Håll fast den med en hand hela tiden.

- ◆ Sätt in 19 mm änden av bulkråden i hålet (23) i spolen bredvid vid öppningen såsom det visas i bild R. Se till att tråden dras tätt emot spolen såsom visas i bild S.
- ◆ Linda trimmertråden på spolen i pilens riktning. Se till att linda på tråden slätt och i lager. Linda inte i kors (bild S).
- ◆ När den utdragna trimmertråden når fördjupningarna (24) klipper du av linan. (Bild R).
- ◆ Sätt på spolen på trimmern enligt beskrivningen i "BYTA SPOLEN".

**Varning!** Använd alltid rätt sorts trimmertråd när du ska trimma.

## Felsökning

Om produkten inte fungerar som den ska följer du instruktionerna nedan. Om problemet kvarstår kontaktar du närmaste BLACK+DECKER-verkstad.

**Varning!** Dra ur kontakten till verktyget innan du fortsätter.

## Maskinen går långsamt

- ◆ Kontrollera att spolkölet kan rotera fritt. Rengör det med försiktighet om nödvändigt.
- ◆ Kontrollera att trimmertråden inte sticker ut mer än 136mm från spolen. Om den gör det skär du av den så att den bara når till skärbladet.

## Om den automatiska linmataren inte fungerar

- ◆ Ta bort spollocket.
- ◆ Dra ut trimmertråden tills den sticker ut 136mm från spolen. Om spolen inte innehåller tillräckligt lång tråd, installera en ny spole trimmertråd.
- ◆ Se till att tråden inte korsas i spolen såsom visas i bild S. Om den görs å, linda av trimmertråden och linda sedan tillbaka den på spolen så noga som möjligt så att tråden inte korsas.

- ◆ Se till att början av trimmertråden är åtdragen mot spolen såsom visas i bild S.
- ◆ Placera låsspärrarna på spollocket i linje med hälen i höljet.
- ◆ Tryck fast spollocket på höljet tills det snäpper på plats ordentligt.
- ◆ Om trimmertråden sticker ut längre än skärbladet klipper du av den så att den bara når till bladet. Om den automatiska linmataren fortfarande inte fungerar eller spolen sitter fast, prova följande:
  - ◆ Rengör spolen och höljet noggrant.
  - ◆ Avlägsna spolen och kontrollera att spaken i spohlöjlet kan röra sig fritt.
  - ◆ Ta loss spolen och linda upp trimmertråden. Linda sedan på den slätt igen. Sätt tillbaka spolen i höljet.

## Underhåll

Din BLACK+DECKER sladdlösa/sladdanslutna maskin/verktyg har designats för att fungera under lång tid med minimalt underhåll. Med rätt underhåll och regelbunden rengöring behåller verktyget/maskinen sin funktion. Laddaren behöver inget annat underhåll än regelbunden rengöring.

**Varning!** Innan något underhåll utförs på sladdanslutna/sladdlösa elverktyg:

- ◆ Stäng av maskinen/verktyget och dra ur nätkontakten.
- ◆ Eller stäng av och ta bort batteriet ur maskinen/verktyget om maskinen/verktyget har ett separat batteripaket.
- ◆ Om batteriet är inbyggt låter du det laddas ur helt innan avstängningen.
- ◆ Dra ur sladden till laddaren innan du rengör den. Laddaren behöver inget annat underhåll än regelbunden rengöring.
- ◆ Rengör regelbundet maskinens luftintag och laddaren med en mjuk borste eller torr trasa.
- ◆ Rengör motorhöljet regelbundet med en fuktig trasa. Använd aldrig något slipande eller lösningsmedelsbaserat rengöringsmedel.
- ◆ Rengör regelbundet trimmertråden och spolen med en mjuk borste eller torr trasa.
- ◆ Ta med jämna mellanrum bort gräs och smuts från skyddets undersida med en trubbig skrapa.

## Skydda miljön



Separat insamling. Produkter och batterier som är markerade med denna symbol får inte kastas i de vanliga hushållsoporna

Produkter och batterier innehåller material som kan återanvändas eller återvinnas för att minska behovet av råmaterial.

Återvinn elektriska produkter och batterier enligt lokala bestämmelser. Närmare information finns tillgänglig på [www.2helpU.com](http://www.2helpU.com)

## Tekniska data

		BESTA525 Typ 1	BESTA528 Typ 1	BESTA530 Typ 1
Spänning	$V_{AC}$	230	230	230
Ineffekt	W	450	550	550
Obelastad hastighet	min <sup>-1</sup>	7500	7500	7500
Vikt	kg	2,4	2,4	2,4

### Ljudtrycksnivå:

Ljudtryck ( $L_{pA}$ ) 81 dB(A), osäkerhet (K) 3 dB(A)

Ljudtryck ( $L_{pWA}$ ) 93 dB(A), osäkerhet (K) 2,6 dB(A)

Totala vibrationsvärden (vektorsumman av tre axlar) enligt EN 50636-2-91:

Vibrationsvärde ( $a_h$ ) 4,9 m/s<sup>2</sup>, osäkerhet (K) 1,7 m/s<sup>2</sup>

## EG-försäkran om överensstämmelse

MASKINDIREKTIVET  
BULLERFÖRESKRIFTER, UTOMHUS



BESTA525, BESTA528, BESTA530 - Trimmer  
Black & Decker garanterar att produkterna som beskrivs under "Tekniska data" uppfyller:

2006/42/EG, EN60335-1:2012 +A11:2014,  
EN 50636-2-91:2014

2000/14/EG, Grästrimmer, L ≤ 50cm, Bilaga VI  
DEKRA Certification B.V. Meander 1051 / P.O. Box 5185  
6825 MJ ARNHEM / 6802 ED ARNHEM, Nederländerna  
Anmält organ, id-nr: 0344

Akustisk effektnivå enligt 2000/14/EG  
(Artikel 12, bilaga III, L ≤ 50 cm):  
 $L_{WA}$  (uppmätt ljudnivå) 93 dB(A)  
Osäkerhet = 3 dB(A)  
 $L_{WA}$  (garanterad ljudnivå) 96 dB(A)

Dessa produkter överensstämmer även med direktiven 2014/30/EU och 2011/65/EU. För ytterligare information kontakta Black & Decker på följande adress, eller se handbokens baksida.



Undertecknad är ansvarig för sammanställningen av tekniska data och gör denna försäkran för Black & Decker.



R. Laverick  
Director of Engineering  
Black & Decker Europe, 210 Bath Road, Slough,  
Berkshire, SL1 3YD  
Storbritannien  
2017-12-14

## Garanti

Black & Decker är säker på kvaliteten hos denna produkt och erbjuder kunder 24 månaders garanti från inköpsdatumet. Garantin gäller utöver konsumentens rättigheter enligt lag och påverkar inte dessa. Garantin är giltig i de områden som tillhör medlemsstaterna i Europeiska unionen och det europeiska frihandelsområdet.

För yrkande under garantin måste yrkandet vara in enlighet med Black & Deckers villkor och du kommer att behöva skicka in bevis på köpet till försäljaren eller en auktoriserad reparatör. Villkoren för Black & Deckers tvååriga garanti och var du hittar din närmaste auktoriserade reparatör kan erhållas på internet på [www.2helpU.com](http://www.2helpU.com), eller genom att kontakta ditt lokala Black & Deckers kontor på adressen som anges i denna manual:

Besök vår webbplats [www.blackanddecker.se](http://www.blackanddecker.se) för att registrera din nya BLACK & DECKER-produkt samt för att få information om nya produkter och specialerbjudanden.

## Tiltenkt bruk

BLACK+DECKER BESTA525, BESTA528 BESTA530 trimmere er designet for å trimme og pynte plenkanter og slå gress på trange steder. Disse verktøyene er bare ment som forbrukerverktøy.

## Sikkerhetsinstruksjoner

**Advarsel!** Når du bruker apparater som drives med strøm fra nettet, må grunnleggende sikkerhetsforholdsregler, inkludert punktene som er beskrevet under, alltid følges for å redusere risikoen for brann, elektrisk støt, personskade og skade på materiell.

**Advarsel!** Når du bruker maskinen, må du følge sikkerhetsreglene.

Les disse instruksjonene før du bruker maskinen, for å ivareta sikkerheten for deg selv og personer i nærheten.

Ta vare på instruksjonene for senere bruk.

- ◆ Les hele denne håndboken nøye før du bruker apparatet.
- ◆ Beregnet bruk er beskrevet i denne håndboken. Hvis du bruker annet tilbehør, kobler til annet utstyr eller bruker dette apparatet til andre oppgaver enn det som er anbefalt i denne håndboken, kan det føre til fare for personskade.
- ◆ Ta vare på denne håndboken for fremtidig bruk.

## Bruke maskinen

Vær alltid forsiktig når du bruker maskinen.

- ◆ Bruk alltid vernebriller.

- ◆ La aldri barn eller personer som ikke kjenner instruksjonene, bruke maskinen.
- ◆ Ikke bruk maskinen hvis det er personer, spesielt **barn**, eller dyr i nærheten.
- ◆ Pass ekstra godt på når maskinen brukes i nærheten av barn.
- ◆ Det er ikke meningen at dette apparatet skal brukes av unge eller svakelige personer uten tilsyn.
- ◆ Dette verktøyet skal ikke brukes som leketøy.
- ◆ Bruk apparatet bare i dagslys eller god kunstig belysning.
- ◆ Brukes bare i tørre omgivelser. Ikke la apparatet bli vått.
- ◆ Ikke senk produktet ned i vann.
- ◆ Ikke åpne huset til verktøyet. Det er ingen deler inni som brukere skal håndtere.
- ◆ Ikke bruk apparatet i omgivelser med eksplosjonsfare, for eksempel på steder der det finnes brennbare væsker, gasser eller støv.
- ◆ Dra aldri i kablet når du skal ta støpselet ut av stikkontakten. Dermed reduserer du risikoen for skade på støpsel og kabel.

## Andre personers sikkerhet

- ◆ La aldri barn eller personer med reduserte fysiske, sensoriske eller mentale ferdigheter eller med manglende erfaring eller kunnskap, eller personer som ikke kjenner bruksanvisningen bruke denne

maskinen. Lokale lover og regler kan gi begrensninger for brukerens alder.

- ◆ Barn skal ikke leke med apparatet. Rengjøring og brukervedlikehold skal ikke utføres av barn uten tilsyn.

## Restrisikoer

Når verktøyet brukes, kan det oppstå ytterligere risikoer som kanskje ikke er beskrevet i de medfølgende sikkerhetsadvarslene. Disse risikoene kan bli forårsaket av feil bruk, langvarig bruk osv.

Selv om de relevante sikkerhetsbestemmelsene blir fulgt, og sikkerhetstiltakene blir gjennomført, kan visse gjenværende risikoer ikke unngås. Disse inkluderer:

- ◆ Personskader som forårsakes av berøring av en roterende/bevegelig del.
- ◆ Personskader som forårsakes av at en del, et blad eller tilbehør endres.
- ◆ Personskader som forårsakes av langvarig bruk av et verktøy. Når du bruker et verktøy i lange perioder, må du sørge for å ta regelmessige pauser.
- ◆ Hørselskader.
- ◆ Helsefarer som skyldes innånding av støv som dannes når du bruker verktøyet (for eksempel under arbeid med tre, spesielt eik, bøk og MDF.)

## Vibrasjon

Vibrasjonsemisjonsverdien som er angitt under tekniske data og samsvarserklæring, er blitt målt i henhold til en standard testmetode som er

angitt i EN50636, og kan brukes til å sammenligne et verktøy med et annet. Den oppgitte vibrasjonsemisjonsverdien kan også brukes til en foreløpig vurdering av eksponering.

**Advarsel!** Vibrasjonsemisjonsverdien under faktisk bruk av elektroverktøyet kan avvike fra den oppgitte verdien avhengig av måten verktøyet blir brukt på. Vibrasjonsnivået kan øke over nivået som er oppgitt.

Når det vurderes vibrasjonseksponering for å avgjøre hvilke sikkerhetstiltak som kreves ifølge 2002/44/EF, for å beskytte personer som bruker elektroverktøy regelmessig til arbeidsformål, skal det, når vibrasjonseksponeringen anslås, tas hensyn til de faktiske bruksforholdene og måten verktøyet blir brukt på. Dette inkluderer å ta hensyn til alle deler av brukssyklusen, for eksempel når verktøyet er avslått, når det går på tomgang og når utløseren er trykket inn.

### Etter bruk

- ◆ Når produktet ikke er i bruk, skal det oppbevares på et tørt og godt ventilert sted utilgjengelig for barn.
- ◆ Barn skal ikke ha tilgang til apparater som ligger til oppbevaring.

- ◆ Når apparatet oppbevares eller transporteres i et kjøretøy, bør det plasseres i bagasjerommet eller festes, slik at det ikke påvirkes av raske farts- eller retningsendringer.

## Kontroll og reparasjon

- ◆ Kontroller at apparatet ikke er skadet eller har defekte deler før du bruker det. Kontroller om noen av delene er skadet, eller om det er andre forhold som kan påvirke bruken.
- ◆ Ikke bruk apparatet hvis en del er skadet eller defekt.
- ◆ Overlat reparasjon eller utskifting av skadde eller defekte deler til et autorisert serviceverksted.
- ◆ Forsøk aldri å fjerne eller bytte ut andre deler enn delene som er oppgitt i denne håndboken.

## Ytterligere

### sikkerhetsinstruksjoner

### gresstrimmere

**Advarsel!** Skjæreelementene vil fortsette å rotere etter at motoren er slått av.

- ◆ Gjør deg kjent med hvordan man betjener og bruker apparatet på riktig måte.
- ◆ Før bruk må du kontrollere strømledning og skjøteledning for tegn på skade, aldring og slitasje. Hvis en ledning blir skadet under bruk, må du øyeblikkelig trekke ut støpselet fra stikkontakten. **IKKE TA PÅ STRØMLEDNINGEN FØR DEN ER KOBLET FRA STIKKONTAKTEN.**

- ◆ Ikke bruk apparatet hvis ledninger er skadet eller slitte.
- ◆ Før du bruker verktøyet, og etter et støt, må du undersøke om det er tegn på slitasje eller skade og få verktøyet reparert etter behov.
- ◆ Pass alltid på at ventilasjonsåpningene er fri for rusk.
- ◆ Bruk solide sko eller støvler for å beskytte føttene.
- ◆ Bruk lange bukser for å beskytte beina.
- ◆ Før du bruker verktøyet, må du kontrollere at det ikke er pinner, steiner, tråd eller andre gjenstander i skjærebannen.
- ◆ Bruk apparatet bare i opprett stilling med skjærelinjen nær bakken. Ikke slå verktøyet på i noen annen stilling.
- ◆ Ikke strekk deg for langt, og pass på balansen hele tiden. Pass på at du alltid har godt fottfeste i skråninger. Gå, aldri løp.
- ◆ Ikke arbeid i bratte skråninger. Arbeid på langs av skråninger, ikke opp og ned.
- ◆ Beveg deg sakte når du bruker maskinen. Husk at nylig kuttet gress er fuktig og glatt.
- ◆ Kryss aldri stier eller veier med grus mens maskinen går.
- ◆ Ikke ta i farlige bevegelige deler før maskinen er frakoblet fra strømmen og til farlige bevegelige deler har stoppet opp fullstendig.
- ◆ Berør aldri skjæretråden mens verktøyet er i gang.
- ◆ Ikke sett verktøyet ned før skjæretråden har stanset helt.
- ◆ Bruk bare riktig type skjæretråd. Bruk aldri skjæretråd av metall eller fiskesnøre.
- ◆ Pass på at du ikke berører trådtrimmebladet.
- ◆ Pass på å holde strømledningen unna skjæretråden. Vær alltid oppmerksom på hvor ledningen er.
- ◆ Hold alltid hender og føtter borte fra skjæretråden, særlig når du slår på motoren.
- ◆ Bruk aldri verktøyet med skadet vern eller uten vern på plass.
- ◆ Vær varsom så du unngår personskade på grunn av utstyr som er montert for å trimme lengden på filamenttråden. Når ny skjæretråd er matet ut, må du alltid sette verktøyet tilbake i normal bruksstilling før du slår det på.
- ◆ Ikke bruk plentrimmeren (kanttrimmeren) hvis ledningene er skadet eller slitt.
- ◆ Hold skjøteledninger unna skjæreelementer.

### Elektrisk sikkerhet



Dette apparatet er dobbeltisolert. Jording er derfor ikke nødvendig. Kontroller alltid at strømforsyningen samsvarer med spenningen på merkeskiltet.

- ◆ Hvis strømledningen blir skadet, må den byttes av produsenten eller et autorisert BLACK+DECKER-servicesenter for å unngå fare.

## ♦ Strømsikkerheten kan forbedres ytterligere ved bruk av jordfeilbryter på 30 mA med høy følsomhet (RCD).

### Merker på maskinen

Følgende advarselssymboler vises på verktøyet sammen med datokoden:



**Advarsel!** Les håndboken før bruk.



Benytt vernebriller når du bruker dette verktøyet.



Benytt passende hørselsvern når du bruker dette verktøyet.



Trekk alltid støpselet ut av kontakten før du inspisierer en ødelagt ledning. Bruk aldri trimmeren hvis ledningen er skadet.



Se opp for gjenstander som kastes rundt. Hold personer i nærheten borte fra klippeområdet.



Hold verktøyet unna regn eller høy fuktighet.



Garantert lydeffekt i henhold til direktiv 2000/14/EU.

### Funksjoner

Dette verktøyet har noen av eller alle følgende egenskaper.

1. På-/av-bryter
2. Kabelholder
3. Strømledningsplugg
4. Hjelpelandtak
5. Krage
6. Motorhus
7. Kantveilederhjul (kun BESTA528 og BESTA530)
8. Beskyttelse
9. Spole

### Montering

**Advarsel!** Før monteringen må du passe på at verktøyet er slått av, og at støpselet er trukket ut.

### Feste beskyttelsesskjermen (figur A og B)

- ♦ Snu trimmeren opp-ned, slik at du ser ned på spolen (9).
- ♦ Skru løs skruen fra vernet med en phillips skrutrekker (følger ikke med).

- ♦ Snu vernet (8) opp-ned, og skyv det helt inn på motorhuset (6). Sørg for at klaffene (10) på vernet fester seg i rillene (11) på motorhuset som vist i figur A. Låseklaffen (25) skal være festet i sporet på huset (26).
- ♦ Fortsett å skyve beskyttelsen til du hører at det festes på plass med et klikk.
- ♦ Bruk en phillips-skrutrekker til å skru fast skruen på vernet som vist i figur B for å fullføre monteringen av beskyttelsen.
- ♦ Når vernet er montert, kan du fjerne dekkelet fra trådkuttebladet, som er plassert på kanten av vernet.

**Advarsel!** Bruk aldri apparatet uten riktig montert vern som sitter godt fast.

### Feste ekstrahåndtaket (figur C, D og E)

- ♦ For å feste håndtaket (4), trykk inn knappene (12) på begge sider av øvre hus som vist på figur C.
- ♦ Posisjoner håndtaket som vist på figur D, og anpass sporsiden på håndtaket med knappen med spor. Skyv håndtaket delvis på slik at det holder knappene mens du løser de for hånd.
- ♦ Skyv håndtaket helt inn på huset og vipp det litt så det klikker på plass.
- ♦ For å justere håndtaket opp eller ned, trykk inn knappen (13) og løft eller senk håndtaket.
- ♦ Håndtaket bør justeres slik at din fremre arm er rett når trimmeren er i arbeidsposisjon.

### Høydejustering (figur F)

- ♦ Total høyde av trimmeren kan justeres ved å løse på høydejusteringshylsen (5) og rotere den i retning som vist med pilen i figur G.
- ♦ Beveg overdelen på huset rett opp eller ned. Når du har ønsket høyde, stram til hylsen ved å rotere den i motsatt retning, som vist på figur F.

### Feste skjøteledningen (figur B)

En skjøteledningsfeste (2) er innebygget i bryterhåndtaket som forhindrer ledningen fra å bli frakoblet.

- ♦ For å bruke denne funksjonen, legg skjøteledningen dobbel omtrent 203 mm fra enden, og sett den inn i åpningen (14) i enden av håndtaksområdet som vist i figur G.
- ♦ Fest sløyfen som formes av ledningen over klaffen (2). Trekk forsiktig i ledningen for å sjekke at den sitter godt i håndtaket på trimmeren.
- ♦ Plugg inn kontaktenden av skjøteledningen i strømledningspluggen (3) i trimmeren.

### Løsne skjæretråden

Under transport er skjæretråden festet til spolehuset med tape.

**Advarsel!** Før du monterer skal du koble fra strømtilførselen.

- ◆ Fjern tapen som fester skjæretråden til spolehuset.
- ◆ Se "Bytte spole" for instruksjoner om hvordan du skal fjerne spolen.

### Korrekt håndstilling

Riktig stilling for hendene er å ha en hånd på hovedhåndtaket, med den andre hånden på hjelpehåndtaket (4).

### Slå på og av

Trykk på avtrykkerknappen (1) for å slå verktøyet på. Slipp utløserbryteren for å slå av trimmeren.

### Bruke trimmeren

- ◆ Med enheten slått på skal du sakte svinge trimmeren fra side til side som vist på figur H.
- ◆ Oppretthold en skjærevinkel på 5° til 10° som vist i figur J. Vinkelen må ikke overskride 10° (figur J). Skjær med tuppen av tråden. Bruk kanthjulet (7) til å holde avstand fra harde overflater.
- ◆ Oppretthold en minimumsdistanse på 600mm mellom vernet og føttene dine som vist på figur I. For å oppnå denne distansen skal du justere totalhøyden på trimmeren som vist på figur F.

### Skifte til kant-modus (figur K)

Trimmeren kan brukes i trimmemodus eller i kantklippingsmodus for å beskjære gress som henger over kanten av en plen eller et blomsterbed.

**Advarsel!** Trekk støpselet ut av stikkkontakten før du utfører justeringer.

**Advarsel!** Når apparatet brukes som en kantklipper, kan steiner, metallbiter og andre objekter kastes ut i høy hastighet av tråden. Trimmeren og vernet er utformet for å redusere faren. Du må imidlertid **FORSIKRE DEG OM** at andre personer og kjæledyr er minst 30 meter unna.

- ◆ For bruk som vedlikeholds-kantklipper, vri hylsen (5) som vist på figur K.
- ◆ Hold metallskaftet og roter nedre del av huset 180° som vist på figur K.
- ◆ Vri hylsen tilbake til den er stram.

**Merk:** Metallskaftet og huset roterer bare i én retning.

- ◆ Skift tilbake til trimmeposisjon ved å løsne låsehylsen og rotere nedre del av huset tilbake 180° og fest så hylsen igjen.

### Kantklipping (figur L)

Optimale kutteresultater oppnås på kanter dypere enn 50 mm. Ikke bruk denne trimmeren til å lage grøfter.

- ◆ Bruk kantklippingshjulet (7), eller ledningsvernet og før trimmeren som vist i figur L.
- ◆ Plasser kantklippingshjulet på kanten av fortauet eller en slipende flate, slik at skjæretråden er over gresset eller området som skal kantklippes.

**Merk:** Auto Feed System kan ikke fungere skikkelig hvis kanthjulveilederen ikke brukes.

**Merk:** Du vil oppleve at skjæretråden slites raskere hvis kanthjulet er posisjonert for langt fra kanten med skjæretråden posisjonert over fortauet eller grove overflater.

- ◆ Hold trimmeren litt på skrå for å skjære tettere.
- ◆ Skift tilbake til trimmeposisjon ved å løsne låsehylsen og rotere nedre del av huset tilbake 180°. Verktøyet vil låse seg i trimmeposisjon.

### Skjæretråd / trådmating

Trimmeren bruker tråd med diameter 1,65 mm, rund nylontråd. Ved bruk vil tuppen av nylontråden flises opp og den selvmatende spolen vil automatisk mate frem og trimme en ny lengde av tråd. Skjæretråden slites fortere og trenger påfyll hvis du klipper langs fortau eller andre slipende overflater eller kutter kraftig ugress. Mekanismen for automatisk fremføring av tråden registrer når det trengs ny tråd, og mater frem og trimmer av korrekt lengde av tråd når det trengs. Ikke slå enheten mot bakken for å forsøke å mate frem tråd eller av noen annen grunn.

### Nyttige klippe-tips

- ◆ Bruk tuppen av tråden for å klippe, ikke bruk makt for å presse klippehodet inn i gresset.
- ◆ Nettinggjerd og stakitter kan føre til kraftig slitasje på tråden eller til at den ryker. Mur- og teglvegger, fortauskanter og trær kan raskt slite ut tråden.
- ◆ Ikke la spoleheten slepe langs bakken eller andre overflater.
- ◆ Ved langt gress, kutt fra toppen og ned og ikke klipp ved høyder over 300 mm.
- ◆ Hold trimmeren vippet mot området som klipper, dette er beste klippeområde.
- ◆ Trimmeren klipper ved at du fører enheten fra venstre til høyre. Dette vil hindre at gress kastes mot brukeren.
- ◆ Unngå trær og busker. Bark, trestolper, kanter og gjerdestolper kan bli skadet av tråden.

### Skifte spole (figur M, N, O, P, Q og R)

**Advarsel!** For å redusere risikoen for alvorlig personskade, slå av redskapet og koble det fra strømkilden før du foretar eventuelle justeringer eller fjerner/installerer tilleggsutstyr eller tilbehør. Utsiktet oppstart kan føre til personskader.

- ◆ Trykk ned klaffene (15), og ta av spoleheten (25) fra spolehuset (16) i trimmerhodet (figur M).
- ◆ Best resultat får du ved å bytte spolen med BLACK+DECKER modellnr. A6481.
- ◆ Grip tak i den tomme spolen med den ene hånden og spolehuset med den andre, og dra ut spolen.
- ◆ Hvis hendelen (17) (figur N) nederst i huset kommer ut av stilling, må du sette den tilbake før du setter inn den nye spolen i huset.

- ◆ Fjern eventuelt smuss og gress fra spolen og huset.
- ◆ Løsne enden av skjæretråden, og før tråden inn i hullet (19) (figur O).
- ◆ Trykk den nye spolen inn på tappen ( 18 ) i huset (fig. N). Drei litt på spolen til den sitter på plass. Tråden skal stikke ut omtrent 136 mm fra huset.
- ◆ Plasser tappene på spolehetten i forhold til sporene (20) i huset (figur P).
- ◆ Skyv hetten inn på huset til den klikker på plass.

**Advarsel!** Hvis skjæretråden rekker lenger enn trimmebladet, kutter du den av, så den når bladet akkurat, for å unngå skade på trimmeren.

### Fylle spolen med løs tråd (fig. Q, R, S)

Ekstra spoler med skjæretråd får du hos din BLACK+DECKER forhandler. Du kan også få pakker à 3 spoler med skjæretråd.

- ◆ Trekk ut støpselet på verktøyet.
- ◆ Ta ut den tomme spolen fra trimmeren som beskrevet i "UTSKIFTING AV SPOLEN".
- ◆ Fjern eventuell gjenværende skjæretråd fra spolen.
- ◆ Bøy enden av skjæretråden omtrent 19 mm fra enden (21). Før skjæretråden inn i et av festehullene (22) som vist på figur Q.

**Merk:** Pass på at spoletråden ikke løsner. Hold den alltid fast med én hånd.

- ◆ Sett inn enden på 19 mm av den løse tråden i hullet (23) i spolen ved siden av sporet som vist på figur S. Pass på at tråden trekkes stramt mot spolen som vist i figur S.
- ◆ Snurr skjæretråden på spolen i pilens retning på spolen. Pass på å snurre på tråden ordentlig og i lag. Ikke kryss den (figur S).
- ◆ Når skjæretråden som er snurret på, når fordypningene (24), kutter du tråden. (Figur R)
- ◆ Sett spolen på trimmeren som beskrevet i "UTSKIFTING AV SPOLEN".

**Advarsel!** Før du starter trimmingen, må du passe på at du bare bruker riktig type skjæretråd.

### Feilsøking

Dersom verktøyet ikke ser ut til å fungere ordentlig, følg instruksjonene under. Hvis problemet ikke løses, kontakter du ditt lokale BLACK+DECKER-serviceverksted.

**Advarsel!** Koble verktøyet fra strømmen før du fortsetter.

### Verktøyet går tregt

- ◆ Kontroller at spolehuset kan dreies fritt. Rengjør det omhyggelig etter behov.
- ◆ Kontroller at skjæretråden ikke stikker ut mer enn omtrent 136mm fra spolehuset. Hvis den gjør det, kutter du den av slik at den akkurat når trimmebladet for tråden.

### Automatisk mating av tråd virker ikke

- ◆ Fjern spolehetten.

- ◆ Trekk i skjæretråden til den stikker ut 136mm fra spolen. Hvis det ikke er nok tråd igjen på spolen, monterer du en ny spole med skjæretråd.
- ◆ Forsikre deg om at tråden ikke er krysset på spolen som detaljert beskrevet i figur S. Hvis den er det, skal du nøste opp skjæretråden, og rull den tilbake på spolen forsiktig slik at den ikke krysser seg.
- ◆ Sørg for at begynnelsen av tråden er strammet godt til mot spolen, som vist i figur S.
- ◆ Plasser tappene på spoledekselet mot hullene i huset.
- ◆ Skyv spolehetten inn på huset til den klikker på plass.
- ◆ Hvis skjæretråden rekker lenger enn trimmebladet, kutter du den av, så den når bladet akkurat. Hvis den automatiske matingen av tråd fremdeles ikke virker, eller hvis spolen sitter fast, kan du prøve følgende forslag:
  - ◆ Rengjør spolen og spolehuset godt.
  - ◆ Ta ut spolen, og kontroller at hendelen i spolehuset kan bevege seg fritt.
  - ◆ Ta ut spolen, og rull ut skjæretråden. Snurr den på ordentlig igjen. Sett spolen inn i huset igjen.

### Vedlikehold

BLACK+DECKER-apparatet/-verktøyet med ledning/batteri er laget for å brukes over lang tid med et minimum av vedlikehold. Verktøyet/apparatet er avhengig av riktig stell og regelmessig rengjøring for å fungere som det skal til enhver tid.

Laderen krever ikke annet vedlikehold enn regelmessig rengjøring.

**Advarsel!** Før du utfører vedlikehold på elektriskdrevet/batteridrevet elektroverktøy:

- ◆ Slå av apparatet/verktøyet og trekk ut støpselet.
- ◆ Eller slå av apparatet/verktøyet og fjern batteriet fra dette hvis apparatet/verktøyet har separat batteripakke.
- ◆ Eller la batteriet gå helt tomt hvis det er innebygd, og slå deretter av.
- ◆ Trekk ut laderen fra stikkkontakten før du rengjør den. Laderen krever ikke annet vedlikehold enn regelmessig rengjøring.
- ◆ Rengjør ventilasjonsåpningene i verktøyet og laderen jevnlig med en myk børste eller tørr klut.
- ◆ Rengjør motorhuset regelmessig med en fuktig klut. Ikke bruk slipende eller løsemiddelbaserte rengjøringsmidler.
- ◆ Rengjør skjæretråden og spolehuset regelmessig med en myk børste eller en tørr klut.
- ◆ Bruk et butt skraperedskap regelmessig for å fjerne gress og jord fra undersiden av vernet.

## Miljøvern



Separat avfallshåndtering. Produkter og batterier merket med dette symbolet skal ikke kastes sammen med normalt husholdningsavfall.

Produkter og batterier inneholder materialer som kan gjenbrukes eller gjenvinnes for å redusere behovet for nye råmaterialer.

Vennligst lever elektrisk utstyr og batterier til gjenbruk i henhold til lokale regler. Mer informasjon finner du på [www.2helpU.com](http://www.2helpU.com)

## Tekniske data

		BESTA525 Type 1	BESTA528 Type 1	BESTA530 Type 1
Spenning	V <sub>AC</sub>	230	230	230
Inngangseffekt	W	450	550	550
Hastighet uten belastning	min <sup>-1</sup>	7500	7500	7500
Vekt	kg	2,4	2,4	2,4

## Lydtrykksnivå:

Lydtrykk (L<sub>pa</sub>) 81dB(A), usikkerhet (K) 3 dB(A)

Lydeffekt (L<sub>wa</sub>) 93 dB(A), usikkerhet (K) 2,6 dB(A)

## Totale vibrasjonsverdier (triax vektorsum) i samsvar med EN 50636-2-91:

Vibrasjonsemissionsverdi (a<sub>v</sub>) 4,9 m/s<sup>2</sup>, usikkerhet (K) 1,7 m/s<sup>2</sup>

## EU-samsvarerklæring

MASKINDIREKTIVET  
DIREKTIV FOR UTENDØRSSTØY



BESTA525, BESTA528, BESTA530 - Trimmer  
Black & Decker erklærer at disse produktene, som er beskrevet under "Tekniske data", er i samsvar med:  
2006/42/EC, EN60335-1:2012 +A11:2014,  
EN 50636-2-91:2014

2000/14/EC, plentrimmer, L ≤ 50 cm, vedlegg VI  
DEKRA Certification B.V. Meander 1051 / P.O. Box 5185  
6825 MJ ARNHEM / 6802 ED ARNHEM, Netherlands

ID-nummer for varslet organ: 0344  
Lydeffektnivå i henhold til 2000/14/EC  
(artikkel 12, vedlegg III, L ≤ 50 cm):

L<sub>WA</sub> (målt lydeffekt) 93 dB(A)

Usikkerhet = 3 dB(A)

L<sub>WA</sub> (garantert lydeffekt) 96 dB(A)

Disse produktene er også i samsvar med direktiv 2014/30/EU og 2011/65/EU. Hvis du ønsker mer informasjon, kan du kontakte Black & Decker på adressen under eller se baksiden av bruksanvisningen.

Undertegnede er ansvarlig for utarbeidelsen av den tekniske dokumentasjonen og gir denne erklæringen på vegne av Black & Decker.

R. Laverick  
Director of Engineering  
Black & Decker Europe, 210 Bath Road, Slough,  
Berkshire, SL1 3YD  
Storbritannia  
14.12.2017

## Garanti

Black & Decker er trygg på kvaliteten av produktene sine og tilbyr en 24 måneders garanti fra kjøpsdato. Denne garantierklæringen kommer i tillegg til dine lovbestemte rettigheter og er ikke i konflikt med disse. Garantien er gyldig innen områdene tilhørende medlemslandene i den Europeiske Union (EU) og det Europeiske Frihandelsområdet (EFTA).

For å ta garantien i bruk må kravet være i samsvar med kjøpsbetingelsene fra Black&Decker og du må vise kjøpskvittering til forhandleren eller til et autorisert serviceverksted. Betingelsene for Black & Deckers 2 års garanti og adressen til din nærmeste autoriserte serviceverksted kan du finne på internett under [www.2helpU.com](http://www.2helpU.com), eller ved å kontakte ditt lokale Black & Decker kontor, adressen er angitt i denne bruksanvisningen:

Besøk våre nettsider på [www.blackanddecker.no](http://www.blackanddecker.no) for å registrere ditt nye BLACK+DECKER-produkt og for å få informasjon om nye produkter og spesialtilbud.



## Tilsigtet brug

Dine BLACK+DECKER BESTA525, BESTA528, BESTA530 trimmere er beregnet til klipning af plænekanter og græsslåning på trange steder. Disse maskiner er kun beregnet til privat brug.

## Sikkerhedsinstruktioner

**Advarsel!** Ved brug af maskiner, der strømforsynes fra forsyningsnettet, er det vigtigt, at grundlæggende sikkerhedsforholdsregler, herunder bl.a. nedenstående, altid følges for at mindske risikoen for brand, elektrisk stød, personskade og tingskade.

**Advarsel!** Sikkerhedsreglerne skal følges ved brug af maskinen.

Læs denne vejledning, før du bruger maskinen, af hensyn til din egen og omkringståendes sikkerhed.

Gem vejledningen til senere brug.

- ◆ Læs hele vejledningen omhyggeligt, før du bruger maskinen.
- ◆ Den tilsigtede brug er beskrevet i denne vejledning.
- ◆ Den tilsigtede brug er beskrevet i Brugen af ekstraudstyr eller tilbehør eller udførelse af andet arbejde med denne maskine end det, der anbefales i denne vejledning, kan udgøre en fare for kvæstelser.
- ◆ Opbevar denne vejledning til senere brug.

## Brug af maskinen

Vær altid opmærksom ved brugen af maskinen.

- ◆ Bær altid sikkerhedsbriller eller beskyttelsesbriller.

- ◆ Lad ikke børn eller personer, der ikke har læst denne vejledning, benytte maskinen.
- ◆ Brug aldrig maskinen, mens der er andre i nærheden, især **børn** eller kæledyr.
- ◆ Vær meget opmærksom, når maskinen benyttes i nærheden af børn.
- ◆ Denne maskine må ikke bruges af børn eller svagelige personer uden opsyn.
- ◆ Maskinen må ikke bruges som legetøj.
- ◆ Brug kun maskinen i dagslys eller ved god kunstig belysning.
- ◆ Stop apparatet, og tag stikket ud af stikkontakten, hvis apparatet begynder at vibrere unormalt, eller hvis du rammer en genstand. Kontroller for beskadigelse af apparatet, udskift eller reparer eventuelle beskadigede dele, kontroller for og tilspænd eventuelle løse dele.
- ◆ Undgå at bruge maskinen i dårligt vejr, især når der er risiko for lyn.
- ◆ Apparatet må kun bruges på tørre steder. Lad ikke maskinen blive våd.
- ◆ Maskinen må ikke nedsænkes i vand.
- ◆ Kabinettet må ikke åbnes. Der er ingen dele inde i kabinettet, som kan serviceres af brugeren.
- ◆ Brug ikke maskinen i eksplosive omgivelser, f.eks. hvor der er brændbare væsker, gasser eller støv.
- ◆ For at reducere risikoen for beskadigelse af stik eller ledninger må du aldrig trække i ledningen for at tage stikket ud af en stikkontakt.

## Andres sikkerhed

- ◆ Lad aldrig **børn**, personer med nedsatte fysiske, sensoriske eller mentale evner eller manglende erfaring og viden, eller personer der ikke kender disse instruktioner bruge maskinen, den nationale lovgivning kan begrænse operatørens alder.
- ◆ Børn må ikke lege med maskinen. Rengøring og brugervedligeholdelse må ikke foretages af børn uden opsyn.

## Tilbageværende risici

Der kan opstå yderligere, tilbageværende risici under brugen af apparatet, som muligvis ikke behandles i de vedlagte sikkerhedsadvarsler. Disse risici kan opstå pga. forkert anvendelse, langvarig brug etc.

Selv ved overholdelse af relevante sikkerhedsforskrifter og anvendelse af sikkerhedsudstyr kan visse resterende risici ikke undgås. Disse omfatter:

- ◆ Tilskadekomst forårsaget af berøring af roterende/bevægelige dele.
- ◆ Tilskadekomst forårsaget af udskiftning af dele, klinger eller tilbehør.
- ◆ Tilskadekomst forårsaget af langvarig brug af et apparat. Husk at holde pause jævnligt ved brug af et apparat i længere tid.
- ◆ Hørenedsættelse.
- ◆ Sundhedsrisici forårsaget af indånding af støv, der genereres ved brug af dit apparat (eksempel: arbejde med træ, især eg, bøg og MDF).

## Vibration

De angivne værdier for udsendelse af vibration anført under de tekniske data og overensstemmelseserklæringen er målt i henhold til standardtestmetoden i EN50636 og kan bruges til at sammenligne ét værktøj med et andet. Den angivne vibrationsemissionsværdi kan også bruges i forbindelse med en foreløbig vurdering af eksponeringen.

**Advarsel!** Værdien for vibrationsemission ved faktisk brug af elværktøjet kan afvige fra den angivne værdi afhængig af måden, værktøjet anvendes på. Vibrationsniveauet kan overstige det angivne niveau.

I vurderingen af eksponeringen for vibration med henblik på fastsættelse af sikkerhedsforanstaltninger som krævet i 2002/44/EF til beskyttelse af personer, der jævnligt anvender elværktøj i deres arbejde, skal der tages hensyn til de faktiske betingelser under brugen, og måden værktøjet bruges på, herunder alle arbejds cyklussens afsnit, f.eks. perioder, hvor værktøjet er slukket, og hvor det kører i tomgang, tillige med startperioderne.

## Efter brug

- ◆ Opbevar maskinen på et tørt, godt ventileret sted uden for børns rækkevidde, når det ikke er i brug.
- ◆ Opbevar maskiner utilgængeligt for børn.

- ◆ Når maskinen opbevares eller transporteres i et køretøj, skal det anbringes i bagagerummet eller fastgøres for at forhindre bevægelse som følge af pludselige ændringer i hastighed eller retning.

## Eftersyn og reparationer

- ◆ Før brug skal maskinen kontrolleres for beskadigede eller defekte dele. Se efter knækkede dele og eventuelle andre forhold, der kan påvirke apparatets funktion.
- ◆ Brug ikke maskinen med beskadigede eller defekte dele.
- ◆ Få beskadigede eller defekte dele repareret eller udskiftet på et autoriseret værksted.
- ◆ Forsøg aldrig at fjerne eller udskifte dele ud over dem, der er beskrevet i denne vejledning.

## Yderligere sikkerhedsvejledning for græstrimmere

**Advarsel!** Skæreelementer fortsætter med at rotere, efter at motoren er stoppet.

- ◆ Sæt dig ind i betjeningsknapperne og korrekt brug af maskinen.
- ◆ Kontroller strømforsyningsledningen og forlængerledningen for tegn på beskadigelse, ældning og slid før brug. Hvis strømforsyningsledningen bliver beskadiget under brug, skal du omgående tage den ud af stikkontakten. RØR IKKE VED

LEDNINGEN, FØR DU HAR TAGET DEN UD AF STIKKONTAKTEN.

- ◆ Brug ikke maskinen med beskadigede eller slidte ledninger.
- ◆ Kontroller maskinen før brug eller efter et evt. slag for tegn på slid eller beskadigelse, og reparer efter behov.
- ◆ Hold altid ventilationsåbningerne fri for snavs.
- ◆ Bær solide sko eller støvler for at beskytte dine fødder.
- ◆ Bær lange bukser for at beskytte dine ben.
- ◆ Kontroller, at området er ryddet for grene, sten, ståltråd og andre forhindringer, før du bruger maskinen.
- ◆ Brug kun maskinen i lodret stilling med skæretråden i nærheden af jorden. Tænd ikke for maskinen i nogen anden position.
- ◆ Stræk dig ikke for langt, og sørg hele tiden for at være i balance. Sørg altid for godt fodfæste på skrænter. Gå, løb ikke.
- ◆ Undgå at arbejde på stejle skråninger. Arbejd på tværs af skråningen, ikke op og ned.
- ◆ Bevæg dig langsomt, når du bruger maskinen. Husk at nyslået græs er fugtigt og glat.
- ◆ Passer ikke grusstier eller veje, mens maskinen kører.
- ◆ Undlad at røre ved farlige dele, inden maskinen er koblet fra nettet og de farlige dele i bevægelse er standset helt.
- ◆ Rør aldrig skæretråden, mens maskinen kører.

- ◆ Læg ikke maskinen ned, før skæretråden står helt stille.
- ◆ Brug altid den rigtige type skæretråd. Brug aldrig metaltråd eller fiskesnøre.
- ◆ Pas på ikke at røre trådkniven.
- ◆ Pas på, at ledningen ikke kommer i nærheden af skæretråden. Vær altid opmærksom på ledningens position.
- ◆ Hold altid hænder og fødder væk fra skæretråden, især når motoren startes.
- ◆ Brug aldrig maskinen med beskadigede skærme eller uden skærme.
- ◆ Pas på ikke at komme til skade med enheden, der er monteret til afskæring af trådlængden. Når du har trukket ny skæretråd ud, skal du altid sætte maskinen tilbage i normal arbejdsstilling, før den startes.
- ◆ Brug ikke plæneklipperen (kanttrimmeren) med beskadigede eller slidte ledninger.
- ◆ Hold forlængerledninger væk fra skæreelementer.

## Elektricitet og sikkerhed



Dette værktøj er dobbelt isoleret. Derfor er jordledning ikke nødvendig. Kontrollér altid, at strømforsyningen svarer til spændingen på mærkepladen.

- ◆ Hvis netledningen beskadiges, skal den udskiftes af producenten eller et autoriseret BLACK+DECKER-værksted, så farlige situationer undgås.

- ◆ Den elektriske sikkerhed kan forbedres yderligere ved brug af en højfølsom 30 mA fejlstrømsafbryder (RCD).

## Brug af en forlængerledning

Brug altid en godkendt forlængerledning, der er egnet til dette værktøjs strømstik (se de tekniske data). Forlængerledningen skal være egnet til udendørs brug og mærket i overensstemmelse hermed. Der kan bruges en HO5VV V-F-forlængerledning på op til 30 m med et tværsnit på 1,5 mm<sup>2</sup>, uden at produktets ydeevne forringes. Før brug skal forlængerledningen inspiceres for tegn på beskadigelse, slid og ældning. Udskift forlængerledningen, hvis den er beskadiget eller defekt. Rul ledningen helt ud, hvis der anvendes en kabeltromle.

## Mærkater på maskinen

Følgende advarselssymboler findes på maskinen sammen med datokoden:



**Advarsel!** Læs vejledningen inden brug.



Bær beskyttelses- eller sikkerhedsbriller, når du bruger denne maskine.



Bær egnet høreværn, når du bruger denne maskine.



Tag altid stikket ud af kontakten, før du undersøger et beskadiget kabel. Brug ikke trimmeren, hvis kablet er beskadiget.



Pas på flyvende genstande. Hold omkringstående på afstand af klippeområdet.



Udsæt ikke maskinen for regn eller høj fugtighed.



Direktiv 2000/14/EF garanteret lydeffekt.

## Funktioner

Denne maskine leveres med nogle af eller alle de følgende komponenter.

1. Afbryderkontakt
2. Ledningsholder
3. Sikkerhed i forbindelse med netstikket
4. Ekstrahåndtag
5. Krave
6. Motorhus
7. Kantstyrhjul (kun BESTA528 og BESTA530)
8. Skærm
9. Spole

## Samling

**Advarsel!** Kontroller før samling, at værktøjet er slukket, og at stikket er taget ud af stikkontakten.

## Montering af skærm (fig. A og B)

- ◆ Vend bagsiden af trimmeren opad, så du kan se spolen (9).
- ◆ Skru skruen af skærmen med en krydskærsvskruetrækker (medfølger ikke).
- ◆ Vend bagsiden af skærmen (8) opad, og skub den helt op på motorhuset (6). Sørg for, at tappene (10) på skærmen kommer i indgreb i åbningerne (11) på motorhuset som vist i Fig. A. Låsetappen (25) skal låses på plads i slidsen på motorhuset (26).
- ◆ Fortsæt med at skubbe skærmen på, indtil du hører, at den "klikker" på plads.
- ◆ Indsæt skærmskruen og stram den som vist på Fig. B for at afslutte skærmenheden.
- ◆ Når skærmen er monteret, fjernes afdækningen fra trådkniven på kanten af skærmen.

**Advarsel!** Brug aldrig værktøjet uden korrekt monteret skærm, der er monteret korrekt.

## Montering af det ekstra håndtag (Fig. C, D, E)

- ◆ Du fastgør håndtaget (4) ved at trykke knapperne (12) ind på begge sider af det øverste hus som vist i fig. C.
- ◆ Placer håndtaget, som vist i Fig. D, så den rillede side af håndtaget er ud for den rillede knap. Skub håndtaget delvist på, så det vil holde knapperne inde, når du slipper dem med hånden.
- ◆ Skub håndtaget helt over på huset og bevæg det lidt, indtil det "klikker" på plads (Fig. E).
- ◆ Du justerer håndtaget op eller ned ved at trykke knap (13) ind og hæve eller sænke håndtaget.
- ◆ Håndtaget bør justeres, så din arm er udstrakt, når trimmeren står i arbejdsposition.

## Højdejustering (Fig. F)

- ◆ Trimmerens samlede højde kan justeres ved at løsne kraven (5) og dreje den i retning af pilen vist i fig. G.
- ◆ Flyt det øverste hus lige op eller ned. Når den ønskede højde er opnået, stram kraven ved at dreje den modsat af retningen vist i fig. F.

## Fastgørelse af forlængerledning (Fig. G)

En forlængerledningsholder (2) er indbygget i kontakthåndtaget, der forhindrer ledningen i at blive frakoblet.

- ◆ For at bruge denne funktion skal du blot folde forlængerledningen dobbelt ca. 203 mm fra enden og indsætte den i rillen (14) i enden af håndtagsområdet, som vist i fig. G.
- ◆ Hægt løkken dannet ved at folde ledningen dobbelt over tappen (2). Træk forsigtigt i ledningen for at sikre, at den sidder godt fast i trimmerens håndtag.
- ◆ Sæt forlængerledningens stikforbindelsesende ind i strømledningsstikket (3) i trimmeren.

## Frigørelse af skæretråd

Under forsendelse er skæretråden tapet fast på spolehuset.

**Advarsel!** Afbryd strømforsyningen inden montering.

- ◆ Fjern tapen, der holder skæretråden fast på spolehuset.
- ◆ Se "Udskiftning af spolen" for anvisninger om at fjerne spolen.

## Korrekt håndposition

Det er nødvendigt at placere den ene hånd på hovedhåndtaget og den anden hånd på det ekstra håndtag (4) for korrekt håndposition.

## Sådan tændes og slukkes værktøjet

Start trimmeren ved at klemme på udløserkontakten (1). Trimmeren slukkes ved at slippe startknappen.

## Betjening af trimmeren

- ◆ Når enheden er tændt, sættes den ned i en vinkel og svinges langsomt fra side til side som vist i fig. H.
- ◆ Hold en skærevinkel på 5° til 10° som vist i fig. J. Vinklen må ikke være større end 10° (Fig. J). Skær med styrekanten af tråden. Brug kanthjulet (7) til at holde afstand til hårde overflader.
- ◆ Hold en minimal afstand på 600 mm mellem skærmen og dine fødder, som vist på fig. I. For at opnå denne afstand skal du justere trimmerens samlede højde, som vist på Fig. F.

## Konverter til kantfunktion (Fig. K)

Trimmeren kan indstilles til trimning eller til kantklipping for at fjerne uafhængende græs langs plænekanter og blomsterbede.

**Advarsel!** Kobl stikket fra strømkilden, inden du foretager justeringer.

**Advarsel!** Når trimmeren anvendes til kantklipping, kan det forekomme, at tråden kaster metalstykker og andre genstande ud ved høj hastighed. Trimmeren og skærmen er konstrueret til at mindske risikoen herved. Men **SØRG FOR** at andre personer og kæledyr opholder sig i mindst 30m afstand.

- ◆ Til at fungere som en vedligeholdelseskantskærer, drej kraven (5) som vist i Fig. K.
- ◆ Hold ved metalakslen og drej det nederste hus 180° som vist i fig. K.
- ◆ Drej kraven tilbage, indtil den er stram.

**Bemærk:** Metalakslen og huset roterer kun i én retning.

- ◆ For at vende tilbage til trimningspositionen skal du løsne låsekraven og dreje det nederste hus 180° tilbage samt stramme kraven igen.

## Kant (Fig. L)

Optimale klipperesultater opnås på kanter, der er dybere end 50 mm. Brug ikke denne trimmer til at lave grøfter.

- ◆ Styr trimmeren som vist i fig. L ved brug af kanthjulet (7) eller trådstyret.
- ◆ Placér kanthjulet på kanten af fortovet eller den slidende overflade således, at skæretråden befinder sig over det græs- eller jordområde, der skal kantrimmes.

**Bemærk:** Det automatiske fremføringsystem virker muligvis ikke korrekt, hvis kantskyrhjulet ikke anvendes.

**Bemærk:** Du vil opleve hurtigere end normalt slid af skæretråden, hvis kanthjulet er placeret for langt fra kanten med skæretråden placeret over fortovet eller den slidende overflade.

- ◆ Vip trimmeren let for at skære tættere.
  - ◆ Vend tilbage til trimningspositionen ved at løsne låsekraven og dreje det nederste hus tilbage til 180°.
- Værktøjet låses i trimmerpositionen.

## Skærelinje / linjefremføring

Din trimmer bruger en RUND nylontråd med 1,65 mm diameter. Under brug vil spidserne på nylontråden blive flossede og slidte, og den specielle fremføringsspole vil automatisk fremføre og trimme et frisk stykke af tråden. Skæretråden slides hurtigere og skal hyppigere føres frem, hvis der udføres trimning eller kantskæring langs fortove eller andre slidende overflader, eller hvor der trimmes kraftigt ukrudt. Den avancerede automatiske trådfremføringsmekanisme registrerer, når der er behov for mere skæretråd og fremfører og trimmer den korrekte længde tråd, når det er påkrævet. Undgå at støde trimmeren på jorden i forsøg på at fremføre tråden eller af andre årsager.

## Nyttige skæretip

- ◆ Brug spidsen på strengen til at udføre skæringen, tving ikke streng hovedet ind i uklippet græs.

- ◆ Ledninger og stakitter forårsager ekstra strengslitage og endog brud. Sten og murstensvægge, kantsten og træ kan hurtigt slide strengen.
- ◆ Lad ikke spolehætte at trække på jorden eller andre overflader.
- ◆ Overstig ikke en højde på 300 mm i lange vækstsnit fra toppen og ned.
- ◆ Hold trimmeren vipet imod det område, der skal klippes, dette er det bedste skæreområde.
- ◆ Trimmeren skærer, når den passerer enheden fra venstre til højre. På denne måde kastes der ikke snavs på operatøren.
- ◆ Undgå træer og buske. Bark, trælist, beklædninger og hegnspæle kan nemt blive beskadiget af strengen.

## Udskiftning af spolen (Fig. M, N, O, P)

**Advarsel!** For at reducere risikoen for personskade skal du slukke for enheden og afbryde den fra strømkilden, inden der foretages justeringer, eller der fjernes/monteres tilbehør eller ekstraudstyr. Start ved et uheld kan medføre skader

- ◆ Tryk tappene (15) ned, og fjern spoledækslet (25) fra spolehuset (16) i trimmerhovedet (Fig. M).
- ◆ Det bedste resultat opnås ved udskiftning af spolen med BLACK+DECKER-model nr. A6481.
- ◆ Tag fat i den tomme spole med den ene hånd og spolehuset med den anden hånd, og træk spolen ud.
- ◆ Hvis grebet (17) (Fig. N) i bunden af huset bliver løs, skal den udskiftes og placeres i korrekt position, før der indsættes en ny spole i huset.
- ◆ Fjern snavs og græs fra spolen og huset.
- ◆ Frigør enden af skæretråden, og før tråden gennem øjet (19) Fig. O.
- ◆ Tag den nye spole og skub den op på navet (18) i huset (Fig. N). Drej spolen let, indtil den er på plads. Tråden skal hænge ca. 136mm ud fra huset.
- ◆ Ret tappene på spoledækslet ind efter åbningerne (20) i huset (Fig. P).
- ◆ Tryk hæften på huset, indtil den låses på plads.

**Advarsel!** For at undgå beskadigelse, hvis skæretråden hænger længere ud end trådkniven, skal den klippes af, så den lige netop når kniven.

## Tilbagespoling fra volumetråd (Fig. Q, R, S)

Nye spoler med skæretråd fås hos BLACK+DECKER-forhandleren. Der kan også fås pakker med 3 spoler med skæretråd.

- ◆ Tag værktøjets stik ud.
- ◆ Tag den tomme spole ud af trimmeren som beskrevet i "UDSKIFTNING AF SPOLEN".
- ◆ Fjern evt. resterende skæretråd fra spolen.
- ◆ Bøj enden af skæretråden om ved ca. 19 mm (21). Før skæretråden ind i en af fastgørelsesåbningerne (22) som vist i Fig. Q.

**Bemærk:** Vær omhyggelig med at sikre, at tråden på spolen ikke trævler op. Hold den konstant fast med en hånd.

- ◆ Indsæt 19 mm enden af volumentråden ind i hullet (23) i spolen, der støder op til rillen som vist i Fig. R. Kontroller at tråden trækkes stramt imod spolen som vist i Fig. S.
- ◆ Vind skæretråden på spolen i pilens retning. Vind tråden ensartet på og i lag. Kryds ikke (Fig. S).
- ◆ Når den opspolede skæretråd når fordybningerne (24), skæres den over. (Fig. R).
- ◆ Sæt spolen på trimmeren som beskrevet i "UDSKIFTNING AF SPOLEN".

**Advarsel!** Brug altid den rigtige type skæretråd, før du påbegynder trimningen.

## Problemløsning

Følg vejledningen nedenfor, hvis værktøjet ikke synes at fungere korrekt. Hvis dette ikke løser problemet, bedes du kontakte det lokale BLACK+DECKER-værksted.

**Advarsel!** Træk stikket ud af stikkontakten, før du fortsætter.

## Maskinen kører langsomt

- ◆ Kontrollér, at spolehuset kan rotere frit. Rengør det forsigtigt om nødvendigt.
- ◆ Kontrollér, at skæretråden ikke hænger mere end ca. 136mm ud af spolen. Hvis den gør, skal den klippes af så den lige netop når trådkniven.

## Hvis metoden med at slå enheden mod jorden ikke virker

- ◆ Fjern spoledekslet.
- ◆ Træk i skæretråden, indtil den hænger ca. 136mm ud fra spolen. Sæt en ny spole med skæretråd i, hvis der ikke er tilstrækkelig skæretråd tilbage på spolen.
- ◆ Sørg for, at tråden ikke krydser spolen, som angivet på Fig. S. Hvis den gør, skal skæretråden vikles ud og derefter vikles pænt tilbage på spolen, så trådene ikke krydser.
- ◆ Sørg for, at starten af skæretråden trækkes stramt op på spolen, som vist på Fig. S.
- ◆ Ret tappene på spolehætten ind efter udskæringerne i huset.
- ◆ Tryk spolehætten på huset, indtil den låses på plads.
- ◆ Hvis skæretråden hænger længere ud end trådkniven, klippes den af, så den lige netop når kniven. Prøv nedenstående forslag, hvis metoden med at slå enheden mod jorden stadig ikke virker, eller tråden er filtret:
  - ◆ Rengør forsigtigt spolehætten og huset.
  - ◆ Fjern spolen og kontroller, om armen i spolehuset kan bevæge sig frit.
  - ◆ Tag spolen ud, vind skæretråden af, og vind den derefter ensartet på igen. Udskift spolen i huset.

## Vedligeholdelse

Din BLACK+DECKER-maskine/værktøj med eller uden ledning er beregnet til brug gennem lang tid med et minimum af vedligeholdelse. Forsat tilfredsstillende drift afhænger af korrekt behandling af værktøjet/maskinen samt regelmæssig rengøring.

Opladeren kræver ingen vedligeholdelse, men skal rengøres jævnligt.

**Advarsel!** Før udførelse af nogen form for vedligeholdelse på elværktøj med/uden ledning:

- ◆ Sluk, og tag maskinens/værktøjets stik ud af stikkontakten.
- ◆ Eller sluk og fjern batteriet fra maskinen/værktøjet, hvis det har en separat batteripakke.
- ◆ Eller afad batteriet helt, hvis det er indbygget, og sluk derefter.
- ◆ Træk opladeren ud af stikkontakten, før den rengøres. Opladeren kræver ingen vedligeholdelse, men skal rengøres jævnligt.
- ◆ Rens jævnligt værktøjets/maskinens og laderens ventilationshuller med en blød børste eller en tør klud.
- ◆ Rengør med jævne mellemrum motorhuset med en fugtig klud. Der må ikke bruges skuremidler eller opløsningsmidler.
- ◆ Rengør regelmæssigt skæretråden og spolen med en blød børste eller en tør klud.
- ◆ Brug jævnligt en uskarp skraber til at fjerne græs og snavs fra apparatet.

## Miljøbeskyttelse



Særskilt bortskaffelse. Produkter og batterier mærket med dette symbol må ikke bortskaffes sammen med det normale husholdningsaffald

Produkter og batterier indeholder materialer, der kan genvindes eller genbruges og således reducere efterspørgslen efter råvarer.

Genbrug venligst elektriske produkter og batterier i henhold til lokale bestemmelser. Yderligere informationer findes på [www.2helpU.com](http://www.2helpU.com)

## Tekniske data

		BESTA525 Type 1	BESTA528 Type 1	BESTA530 Type 1
Spænding	V <sub>AC</sub>	230	230	230
Effektindgang	W	450	550	550
Ubelastet hastighed	min <sup>-1</sup>	7500	7500	7500
Vægt	kg	2,4	2,4	2,4

lydtrykniveau:
Lydtryk ( $L_{pA}$ ) 81 dB(A), usikkerhed (K) 3 dB(A)
Lydeffekt ( $L_{WA}$ ) 93 dB(A), usikkerhed (K) 2,6 dB(A)
Samlede værdier for vibration (triaksial vektorsum) i henhold til EN 50636-2-91:
Værdi for udsendelse af vibration ( $a_{vj}$ ) 4,9 m/s <sup>2</sup> , usikkerhed (K) 1,7 m/s <sup>2</sup>

## EU-overensstemmelseserklæring

MASKINDIREKTIV  
DIREKTIV OM STØJEMISSION FRA MASKINER TIL  
UDENDØRS BRUG



BESTA525, BESTA528, BESTA530 - Trimmer

Black & Decker erklærer, at produkterne beskrevet under "Tekniske data" er i overensstemmelse med:  
2006/42/EC, EN60335-1:2012 +A11:2014,  
EN 50636-2-91:2014

2000/14/EF, plænetrimmer, L ≤ 50 cm, bilag VI  
DEKRA Certification B.V. Meander 1051 / P.O. Box 5185  
6825 MJ ARNHEM / 6802 ED ARNHEM, Nederlandene  
Underrettet myndighed, id-nr.: 0344

Lydintensitetsniveau i henhold til 2000/14/EF

(Artikel 12, bilag III, L ≤ 50 cm):

$L_{WA}$  (målt lydeffekt) 93 dB(A)

Usikkerhed = 3 dB(A)

$L_{WA}$  (garanteret lydeffekt) 96 dB(A)

Disse produkter er endvidere i overensstemmelse med direktiv 2014/30/EU og 2011/65/EU. Kontakt Black & Decker på nedenstående adresse eller se vejledningens bagside for at få yderligere oplysninger.

Undertegnede er ansvarlig for udarbejdelsen af de tekniske data og fremsætter denne erklæring på vegne af Black & Decker.

R. Laverick  
Direktør for konstruktioner  
Black & Decker Europe, 210 Bath Road, Slough,  
Berkshire, SL1 3YD  
Storbritannien  
14/12/2017

## Garanti

Black & Decker er overbevist om den gode kvalitet af sine produkter og giver forbrugerne en garanti på 24 måneder fra købsdatoen. Garantien er et tillæg til forbrugerens lovmæssige rettigheder og påvirker ikke disse. Garantien er gyldig inden for medlemsstaterne af Den Europæiske Union og Det Europæiske Frihandelsområde.

Når du gør krav på garantien, skal kravet være i overensstemmelse med Black & Decker vilkår og betingelser, og du skal indsende dokumentation for købet til sælgeren eller til en autoriseret reparatør. Vilkår og betingelser for Black & Decker 2 års garanti og placeringen af dit nærmeste autoriserede serviceværksted kan fås på internettet på [www.2helpU.com](http://www.2helpU.com), eller ved at kontakte dit lokale Black & Decker kontor på den adresse, der er angivet i denne vejledning:

Besøg venligst vores websted [www.blackanddecker.co.uk](http://www.blackanddecker.co.uk) for at registrere dit nye BLACK+DECKER produkt og modtage opdateringer om nye produkter og specielle tilbud.



## Käyttötarkoitus

BLACK+DECKER BESTA525, BESTA528, BESTA530 -trimmeri on suunniteltu nurmikon reunojen viimeistelyyn ja nurmikon leikkaukseen ahtaissa paikoissa. Nämä koneet on tarkoitettu vain yksityiskäyttöön.

## Turvallisuusohjeet

**Varoitus!** Sähkötoimisia koneita käytettäessä on aina noudatettava asianmukaisia turvaohjeita, jotta tulipalojen, sähköiskujen, henkilövahinkojen ja materiaalivaurioiden riski olisi mahdollisimman pieni.

**Varoitus!** Laitetta käytettäessä on noudatettava turvallisuussääntöjä. Lue tämä opas huolellisesti läpi ennen koneen käyttöä oman ja muiden turvallisuuden takia.

Säilytä ohjeet myöhempää tarvetta varten.

- Lue tämä käyttöohje huolellisesti ennen koneen käyttöä.
- Käyttötarkoitus kuvataan ohjeissa.
- Muiden kuin ohjeissa suositeltujen lisävarusteiden tai -osien käyttö sekä koneen käyttö muuhun kuin oppaassa suositeltuun tarkoitukseen voi aiheuttaa henkilövahingon vaaran.
- Säilytä tämä käyttöohje tulevaa tarvetta varten.

## Koneen käyttö

Ole aina huolellinen käyttäessäsi konetta.

- Käytä aina suojalaseja.
- Älä koskaan anna lasten tai kenenkään, joka ei ole lukenut käyttöohjetta, käyttää konetta.

- Älä koskaan käytä konetta muiden henkilöiden (erityisesti **lasten**) tai eläinten läheisyydessä.
- Jos konetta käytetään lasten läheisyydessä, on oltava tarkkaavainen.
- Tätä konetta ei ole tarkoitettu nuorten tai lihasvoimaltaan heikkojen henkilöiden käyttöön ilman valvontaa.
- Koneetta ei tule käyttää leluna.
- Käytä konetta vain päivänvalossa tai hyvin valaistulla alueella.
- Jos laite tärisee epätavallisen voimakkaasti tai jos osut sillä esteeseen, sammuta laite ja vedä pistoke irti pistorasiasta. Tarkista laite vahinkojen varalta, vaihda tai korjaa vahingoittuneet osat ja kiristä mahdollisesti löystyneet osat.
- Vältä koneen käyttöä epäsuotuisissa sääolosuhteissa ja erityisesti silloin, kun olemassa on ukkosvaara.
- Soveltuu vain kuivaan käyttöympäristöön. Älä anna koneen kastua.
- Älä upota konetta veteen.
- Älä avaa koneen koteloa. Sen sisällä ei ole käyttäjän huollettavissa olevia osia.
- Älä käytä konetta räjähdysalttiissa ympäristössä, jossa on syttyvää nestettä, kaasua tai pölyä.
- Älä koskaan irrota johtoa pistorasiasta johdosta vetäen. Pistoke ja johto voivat vahingoittua.

## Muiden henkilöiden turvallisuus

- Lapset, fyysisesti, aistillisesti

tai henkisesti puutteelliset tai kokemattomat ja kouluttamattomat henkilöt, jotka eivät tunne näitä ohjeita, eivät saa koskaan käyttää konetta.

Paikalliset määräykset voivat asettaa käyttäjän ikärajoituksia.

- ♦ Älä anna lasten leikkiä koneella.
- ♦ Puhdistus- ja huoltotöitä ei saa jättää lapsille ilman valvontaa.

## Jäännösriskit

Myös muut kuin turvavaroituksissa mainitut riskit ovat mahdollisia työkalua käytettäessä. Nämä riskit voivat liittyä muun muassa virheelliseen tai pitkäaikaiseen käyttöön.

Tiettyjä jäännösriskejä ei voi välttää, vaikka noudatetaan kaikkia turvamääräyksiä ja käytetään turvalaitteita. Näitä ovat:

- ♦ pyörivien tai liikkuvien osien koskettamisen aiheuttamat vahingot.
- ♦ osia, teriä tai lisävarusteita vaihdettaessa aiheutuneet vahingot.
- ♦ työkalun pitkäaikaisen käytön aiheuttamat vahingot.
- ♦ Varmista, että pidät säännöllisesti taukoja työkalun pitkäaikaisen käytön aikana.
- ♦ Kuulon heikkeneminen.
- ♦ Työkalua käytettäessä (esimerkiksi puuta, erityisesti tammea, pyökkiä ja MDF-levyjä käsiteltäessä).

## Tärinä

Teknisissä tiedoissa ja vaatimustenmukaisuusvakuutuksessa ilmoitettu tärinäpäästöarvo on mitattu EN50636-standardin testausmenetelmän

mukaisesti, ja arvoa voi käyttää työkalujen keskinäiseen vertailuun. Ilmoitettua tärinäpäästöarvoa voi käyttää myös altistumisen alustavaan arviointiin.

**Varoitus!** Sähkötyökalun käytön aikana mitattu todellinen tärinäpäästöarvo voi poiketa ilmoitetusta tärinäpäästöarvosta työkalun käyttötavan mukaan. Tärinätaso voi olla ilmoitettua tasoa suurempi.

Kun tärinälle altistumista arvioidaan sen määrittämiseksi, mitä direktiivin 2002/44/EY mukaisia turvatoimenpiteitä vaaditaan sähkötyökaluja säännöllisesti käyttävien henkilöiden suojelemiseksi, tärinälle altistumisen arvioinnissa on otettava huomioon todelliset käyttöolosuhteet ja työkalun käyttötavat. Todellisen käytön lisäksi on kiinnitettävä huomiota myös siihen, milloin työkalu on sammutettuna tai se käy tyhjäkäynnillä.

## Käytön jälkeen

- ♦ Kun konetta ei käytetä, säilytä sitä kuivassa, hyvin tuuletetussa paikassa poissa lasten ulottuvilta.
- ♦ Pidä kone lasten ulottumattomissa.
- ♦ Kun konetta säilytetään tai kuljetetaan ajoneuvossa, sijoita se tavaratilaan tai kiinnitä se kunnolla, ettei se matkan aikana pääse liikkumaan.

## Tarkastus ja korjaus

- ♦ Tarkista ennen koneen käyttöä, ettei koneessa ole vahingoittuneita tai viallisia osia. Tarkista osien ja kytkimien kunto sekä muut seikat,

jotka voivat vaikuttaa laitteen toimintaan.

- ◆ Älä käytä konetta, jos jokin sen osa on vahingoittunut tai viallinen.
- ◆ Korjauta tai vaihdata vaurioituneet tai vialliset osat valtuutetussa huoltoliikkeessä.
- ◆ Älä yritä korjata tai vaihtaa muita kuin tässä käyttöohjeessa erikseen määriteltyjä osia.

## Ruohotrimmereiden

### lisäturvaohjeet

**Varoitus!** Leikkaavien osien pyöriminen jatkuu senkin jälkeen, kun moottori on sammutettu.

- ◆ Tutustu hallintalaitteisiin ja opettele koneen oikeaoppinen käyttö.
- ◆ Tarkista ennen käyttöä, että sähkö- ja jatkojohdot eivät ole vaurioituneet, vanhentuneet tai kuluneet. Jos johto vahingoittuu käytön aikana, irrota johto heti virtalähteestä. **ÄLÄ KOSKETA JOHTOA, ENNEN KUIN OLET IRROTTANUT SEN VIRTALÄHTEESTÄ.**
- ◆ Älä käytä konetta, jos sen johdot ovat vahingoittuneet tai kuluneet.
- ◆ Tarkista kone kulumisen tai vaurioiden varalta ennen työn aloittamista ja iskujen jälkeen. Korjaa puutteet ennen työn jatkamista.
- ◆ Varmista aina, että ilmanvaihtoaukot ovat puhtaita.
- ◆ Suojaa jalat laitteen käytön aikana käyttämällä tukevia jalkineita.

- ◆ Suojaa sääret käyttämällä pitkiä housuja.
- ◆ Tarkista ennen koneen käyttöä, ettei työskentelyalueella ole oksia, kiviä, metallilankaa tai muita esteitä.
- ◆ Käytä konetta vain pystyasennossa, leikkuulanka kuvan mukaisesti lähellä maata. Älä koskaan käynnistä konetta missään muussa asennossa.
- ◆ Älä kurkota ja seiso aina tukevasti tasapainossa. Varmista aina tukeva jalansija kaltevalla alustalla. Kävele, älä juokse.
- ◆ Älä työskentele jyrkissä rinteissä. Työskentele rinteen korkeussuuntaan nähden poikittain, älä ylhäältä alas tai päinvastoin.
- ◆ Liiku hitaasti, kun käytät konetta. Muista, että juuri leikattu ruoho on kosteaa ja liukasta.
- ◆ Älä koskaan kuljeta konetta sora- tai hiekkateiden yli langan pyöriessä.
- ◆ Älä kosketa vaarallisiin liikkuviin osiin ennen kuin kone on irrotettu virtalähteestä ja liikkuvat osat ovat pysähtyneet kokonaan.
- ◆ Älä koskaan kosketa leikkuulankaa koneen ollessa käynnissä.
- ◆ Älä laita konetta maahan, ennen kuin leikkuulanka on täysin pysähtynyt.
- ◆ Käytä ainoastaan oikean tyyppistä leikkuulankaa. Älä koskaan käytä metallista leikkuulankaa tai ongensiimaa.
- ◆ Älä koske langan leikkuuterään.
- ◆ Pidä verkkovirtajohto aina mahdollisimman kaukana leikkuulangasta. Ota huomioon

virtajohdon asento aina laitetta käytettäessä.

- Pidä kädet ja jalat poissa leikkuulangan tieltä etenkin, kun moottori käynnistetään.
- Älä koskaan käytä konetta, jos jokin suoja on vaurioitunut tai pois paikaltaan.
- Varo vahingoittamasta itseäsi leikkuulangan lyhentämiseen varustetulla laitteella. Kun olet pidentänyt uutta leikkuulankaa, aseta laite aina takaisin normaaliin käyttöasentoon ennen käynnistämistä.
- Älä käytä nurmikkotrimmeriä (reunatrimmeriä), jos sen johdot ovat vahingoittuneet tai kuluneet.
- Pidä jatkojohdot poissa leikkaavien osien tieltä.

## Sähköturvallisuus



Tämä kone on kaksoiseristetty, joten erillistä maadoitusta ei tarvita. Tarkista aina, että verkkovirran jännite vastaa tyyppikilpeen merkittyä jännitettä.

- Jos virtajohto vahingoittuu, sen vaihtaminen on turvallisuussyistä jätettävä valmistajan tai valtuutetun BLACK+DECKER-huollon tehtäväksi.
- Sähköturvallisuutta voi parantaa käyttämällä erittäin herkkää (30 mA) vikavirtasuojaa.

## Jatkojohdon käyttäminen

Käytä aina oikeanlaista jatkojohtoa, joka sopii tämän laitteen virransyöttöliitäntään

(katso kohta Tekniset tiedot). Jatkojohdon on oltava ulkokäyttöön soveltuva ja siinä on oltava vastaava merkintä. Laitteen kanssa voidaan käyttää enintään 30 m pitkää 1,5 mm<sup>2</sup>:n HO5VV-F-jatkojohtoa ilman tehon heikkenemistä. Tarkista jatkojohdon kunto ennen sen käyttämistä. Vahingoittunut tai viallinen kaapeli on vaihdettava. Jos käytät jatkojohtokelaa, kelaa johto aina täysin auki.

### Koneessa olevat merkinnät

Koneeseen on merkitty päivämääräkoodi sekä seuraavat varoitusmerkit:



**Varoitus!** Lue käyttöohje ennen laitteen käyttöä.



Suojalaseja tulee käyttää koneen käytön aikana.



Asianmukaisia kuulonsuojaimia tulee käyttää koneen käytön aikana.



Irrota verkkojohto pistorasiasta aina ennen vaurioituneen johdon tarkistamista. Älä käytä trimmeriä, jos virtajohto on vahingoittunut.



Varo sinkoilevia esineitä. Pidä sivulliset poissa leikkausalueelta.



Älä käytä konetta sateessa tai erittäin kosteissa olosuhteissa.



Direktiivin 2000/14/EY mukainen taattu ääniteho.

### Yleiskuvaus

Tässä koneessa on joitakin tai kaikki seuraavista ominaisuuksista.

1. Virtakytkin
2. Johdon pidike
3. Virtajohdon piste
4. Lisäkahva
5. Kaulus
6. Moottorikotelo

7. Reunaohjaimen pyörä (vain mallit BESTA528 ja BESTA530)
8. Suojus
9. Kela

## Asennus

**Varoitus!** Varmista ennen kokoamista, että virta on katkaistu ja että virtajohto on irti pistorasiasta.

## Suojuksen kiinnittäminen (kuvat A ja B)

- ◆ Käännä trimmeri ylösalaisin niin, että kela (9) osoittaa ylöspäin.
- ◆ Irrota suojuksen ruuvi ristipäämeisselillä (ei kuulu pakkaukseen).
- ◆ Käännä suojus (8) ylösalaisin ja työnnä se kokonaan moottorikotelon (6) päälle. Varmista, että suojuksen kielekkeet (10) osuvat moottorikotelon ripoihin (11) moottorin runkoon kuvan A osoittamalla tavalla. Lukituskielekkeen (25) pitäisi napsahtaa paikalleen kotelossa olevaan koloon (26).
- ◆ Liu'uta suojusta eteenpäin, kunnes se napsahtaa paikalleen.
- ◆ Viimeistele suojuksen asennus kiertämällä suojuksen ruuvi paikalleen ja kiristämällä se hyvin kuvan B mukaisesti.
- ◆ Kun suojus on asennettu, poista suojuksen reunassa oleva langan leikkuuterän peite.

**Varoitus!** Älä koskaan käytä työkalua, jos suojus on virheellisesti paikoillaan tai pois paikoiltaan.

## Lisäkahvan kiinnittäminen (kuvat C, D, E)

- ◆ Kiinnitä kahva (4) painamalla yläkotelon molemmilla puollilla olevia painikkeita (12) kuvan C mukaisesti.
- ◆ Aseta kahva kuvan D mukaisesti sovitamalla kahvan urallisen puolen uralliseen painikkeeseen. Paina kahvaa osittain niin, että se pitää painikkeet alhaalla, kun vapautat ne kädelläsi.
- ◆ Paina kahva kokonaan koteloon ja siirrä sitä hiukan niin, että se "napsahtaa" paikoilleen (kuva E).
- ◆ Voit säätää kahvaa ylös- tai alaspäin painamalla painike (13) alas ja nostamalla tai laskemalla kahvaa.
- ◆ Kahvaa tulee säätää niin, että edessä oleva käsivartesi on suorassa trimmerin ollessa toiminnassa.

## Korkeuden säätäminen (kuva F)

- ◆ Trimmerin yleinen korkeus voidaan säätää löysäämällä rengasta (5) ja kiertämällä sitä kuvassa G olevan nuolen suuntaan.
- ◆ Siirrä yläkoteloa suoraan ylös- tai alaspäin. Kun olet saavuttanut haluamasi korkeuden, kiristä rengas kiertämällä sitä vastakkaiseen suuntaan kuvan F nähdn.

## Jatkojohdon liittäminen (kuva G)

Jatkojohdon pidike (2) sijaitsee kytkinkahvassa, joka estää johdon irtoamisen pistokkeesta.

- ◆ Voit käyttää sitä tuplaamalla jatkojohdon noin 203 mm:n verran päästä ja asettamalla sen aukkoon (14) kahvanalueen päässä kuvan G mukaisesti.
- ◆ Kiinnitä johdosta muodostunut silmukka viemällä johdon toistamiseen kielekkeen (2) yli. Vedä johdosta kevyesti varmistaaksesi, että se on kiinnittynyt hyvin leikkurin kahvaan.
- ◆ Liitä jatkojohdon pistokepää trimmerin virtajohtoon pistokkeeseen (3).

## Leikkukulangan vapauttaminen

Leikkukulanka on teipattu kiinni kelakoteloon kuljetuksen ajaksi.

**Varoitus!** Irrota laite virtalähteestä ennen asentamista.

- ◆ Irrota leikkukulangan kelakoteloon kiinnittävä teippi.
- ◆ Katso kelan poisto-ohjeet osiosta "Kelan vaihtaminen".

## Oikeaoppinen käden asento

Käsien oikea asento tarkoittaa yhden käden pitämistä pääkahvassa ja toisen käden pitämistä lisäkahvassa (4).

## Käynnistäminen ja sammuttaminen

Käynnistä trimmeri painamalla liipaisukytkintä (1).

Sammuta trimmeri vapauttamalla liipaisinkytkin.

## Trimmerin käyttö

- ◆ Kun trimmeri on käynnistetty, kallista ja käännä sitä kevyesti puolelta toiselle kuvan H osoittamalla tavalla.
- ◆ Pidä trimmeriä leikkuun ajan 5–10 asteen kulmassa kuvan J osoittamalla tavalla. Älä ylitä 10 asteen kulmaa (kuva J). Leikkaa langan kärjellä. Reunaohjainpyörä (7) auttaa säilyttämään riittävän etäisyyden koviin pintoihin.
- ◆ Säilytä vähintään 600 mm:n etäisyys suojuksen ja jalkojen välillä kuvan I mukaisesti. Saavutat tämän etäisyyden säätämällä trimmerin yleistä korkeutta kuvan F mukaisesti.

## Reunojenkäsittelytilaan vaihtaminen (kuva K)

Trimmeriä voidaan käyttää leikkaamiseen leikkaustilassa tai nurmikon reunojen ja kukkapenkkin reunusten siistimiseen reunojenkäsittelytilassa.

**Varoitus!** Irrota pistoke pistorasiasta, ennen kuin säädät laitetta.

**Varoitus!** Kun trimmeriä käytetään reunaileikkaamiseen, leikkukulangasta saattaa sinkoutua kiviä, metallikappaleita ja muita esineitä suurella nopeudella. Trimmerin ja suojuksen muotoilu vähentää lentävistä esineistä aiheutuvaa vaaraa.

**HUOLEHDI** kuitenkin, että kanssaihimiset ja lemmikkieläimet pysyvät vähintään 30 metrin päässä.

- ◆ Käytä trimmeriä reunaileikkaamiseen kiertämällä rengasta (5) kuvan K mukaisesti.

- ◆ Pidä kiinni metalliakselista ja kierrä alakotelo 180° kuvan K mukaisesti.
- ◆ Kierrä rengasta taaksepäin, kunnes se on tiukalla.

**Huomautus:** Metalliakseli ja kotelo pyörivät vain yhteen suuntaan.

- ◆ Palauta trimmausasento löysäämällä lukitusrengasta, kiertämällä alakotelo 180° takaisin ja kiristämällä renkaan uudelleen.

## Reunojen leikkaus (kuva L)

Optimaaliset leikkaustulokset saavutetaan yli 50 mm syvyisissä reunoissa. Trimmeriä ei saa käyttää ojen luomiseen.

- ◆ Käytä reunaohjainpyörää (7) tai lankasuojusta trimmerin ohjaamiseen kuvan L mukaisesti.
- ◆ Aseta reunaohjainpyörä jalkakäytävän tai hankaavan pinnan reunalle niin, että leikkuulanka on reunaleikkavaan nurmikon tai maa-alueen päällä.

**Huomautus:** Automaattinen syöttöjärjestelmä ei välttämättä toimi oikein, jos pyörillä varustettua reunaohjainta ei käytetä.

**Huomautus:** Leikkuulanka kuluu normaalia nopeammin, jos reunaohjainpyörä on asetettu liian kauas reunasta ja leikkuulanka on jalkakäytävän tai hankaavan pinnan päällä.

- ◆ Lyhennä leikkausjälkeä kallistamalla trimmeriä hieman.
- ◆ Palauta trimmausasento löysäämällä lukitusrengasta ja kiertämällä alakotelo 180° takaisin. Työkalu lukittu trimmaus asentoon.

## Leikkuulangan/langan syöttö

Trimmeri toimii halkaisijaltaan 1,65 mm:n PYÖREÄLLÄ nailonlangalla. Nailonlangan päät rispaantuvat ja kuluvat käytön aikana ja erityinen automaattisyöttöinen kela syöttää ja säätelee automaattisesti oikean määrän uutta lankaa. Leikkuulanka kuluu nopeammin ja vaatii useammin tapahtuvaa syöttöä, kun leikkaat tai reunaleikkaat jalkakäytävien tai muiden hiovien pintojen lähellä tai tavallista kovempia rikkaruohoja. Pitkälle kehittynyt automaattinen langan syöttöjärjestelmä tunnistaa langan syöttötarpeen syöttäen ja säätelee oikean määrän lankaa aina tarvittaessa. Älä iske trimmeriä maahan yrittäessäsi syöttää lankaa tai tehdä jotakin muuta.

## Hyödyllisiä vinkkejä leikkaamiseen

- ◆ Leikkaa langan päällä; älä pakota langan päätä leikkaamattomaan ruohoon.
- ◆ Verkot ja aidat kuluttavat lankaa enemmän ja voivat jopa katkaista sen. Lanka voi kulua nopeasti kivi- ja tiilialtojen, reunakivien sekä puukappaleiden seurauksena.
- ◆ Älä anna kelan suojakorkin laahata maassa tai muita pintoja pitkin.
- ◆ Jos kasvu on huomattavaa, leikkaa ylhäältä alaspäin ylittämättä 300 mm:n korkeutta.

- ◆ Kallista trimmeriä leikattavaa aluetta kohti; tämä on paras leikkausalue.
- ◆ Trimmeri leikkaa, kun yksikköä viedään vasemmalta oikealle. Täten roskat eivät sinkoudu käyttäjään.
- ◆ Vältä puita ja pensaita. Lanka voi helposti vahingoittaa puun kuorta, puulistoja, sivuraitoja ja aidan pylväitä.

## Kelan vaihtaminen (kuva M, N, O, P)

**Varoitus!** Vähentääksesi vakavien henkilövaurioiden riskiä, kytke laite pois päältä ja irrota se virtalähteestä ennen säätöjen tekemistä tai lisävarusteiden tai apuvälineiden irrottamista/asentamista. Tahaton käynnistyminen aiheuttaa vahingon

- ◆ Pidä kielekkeitä (15) painettuina ja poista suojakorkki (25) trimmerin pään kelakotelosta (16) (kuva M).
- ◆ Parhaan tuloksen saamiseksi on suositeltavaa käyttää BLACK+DECKERin kelamallia A6481.
- ◆ Tartu yhdellä kädellä tyhjään kelaan ja toisella kädellä kelakoteloon ja vedä kela ulos.
- ◆ Jos kotelon pohjassa oleva vipu (17) (kuva N) irtoaa, laita se oikein paikalleen ennen uuden kelan asettamista koteloon.
- ◆ Poista kaikki lika ja ruoho kelasta ja kotelosta.
- ◆ Vapauta leikkuulangan pää ja pujota lanka reikään (19) (kuva O).
- ◆ Työnnä uusi kela kotelon napaan (18) (kuva N). Kierrä kelaa hieman niin, että se kiinnittyy. Langan on tultava ulos kotelosta noin 136 mm.
- ◆ Kohdista kelan suojakorkin kielekkeet kotelon koloihin (20) (kuva P).
- ◆ Paina suojakorkki koteloon, kunnes se napsahtaa kiinni paikalleen.

**Varoitus!** Jos leikkuulanka ylettyy leikkuuterän yli, leikkaa se lyhyemmäksi niin, että se juuri ylettyy terään. Siten voit välttää trimmerin vahingoittumisen.

## Kelan takaisinkelaus irtolangasta (kuva Q, R, S)

Uusia leikkuulangan keloja myyvät BLACK+DECKER-tuotteiden jälleenmyyjät. Myös kolmen leikkuulankarullan pakkauksia on saatavana.

- ◆ Irrota työkalu virtalähteestä.
- ◆ Poista tyhjä kela trimmeristä noudattamalla osion "KELAN VAIHTAMINEN" ohjeita.
- ◆ Poista kaikki vanha leikkuulanka kelasta.
- ◆ Taivuta leikkuulangan pää kaksin kerroin noin 19 millimetrin matkalta (21). Työnnä leikkuulanka vapaavalintaiseen langan lukituskoloon (22) kuvan Q mukaisesti.

**Huomautus:** Varo, ettei kelassa oleva lanka pääse purkautumaan. Pitele kelaa koko ajan yhdellä kädellä tukevasti.

- ◆ Aseta irtolangan 19 mm:n pää kelassa olevaan reikään (23) aukon lähellä kuvan R mukaisesti. Varmista, että lanka on kireällä kelaan vasten kuvan S mukaisesti.
- ◆ Kierrä leikkuulanka kelalle kelassa olevan nuolen osoittamaan suuntaan. Kelaan lankaa tasaisesti kerroksittain. Älä kelaan sitä edestakaisin (kuva S).
- ◆ Kun kelattu leikkuulanka on syvennyksen (24) tasalla, katkaise lanka. (Kuva R).
- ◆ Kiinnitä kela trimmeriin noudattamalla osion "KELAN VAIHTAMINEN" ohjeita.

**Varoitus!** Käytä vain trimmeriin suositeltua leikkuulankaa.

## Vianetsintä

Jos laite ei toimi oikein, noudata alla olevia ohjeita. Jos tämä ei auta, ota yhteys paikalliseen BLACK+DECKER-huoltoilikkeeseen.

**Varoitus!** Irrota työkalu pistorasiasta ennen jatkamista.

## Kone käy hitaasti

- ◆ Tarkista, että kelakotelo pääsee pyörimään esteettä. Puhdista se varovasti tarvittaessa.
- ◆ Tarkista, että leikkuulankaa ei tule ulos kelasta yli 136mm:n verran. Jos se tulee, katkaise lanka niin, että se juuri ylettyy leikkuuterään.

## Automaattinen langansyöttö ei toimi

- ◆ Irrota kelan suojakorkki.
- ◆ Vedä leikkuulankaa niin, että se tulee ulos kelasta noin 136mm:n verran. Jos kelalla ei ole tarpeeksi lankaa, asenna uusi lankakela.
- ◆ Varmista, ettei lanka ole ristikkäin kelassa kuvan S mukaisesti. Jos se on ristikkäin, kelaan leikkuulanka auki ja sen jälkeen takaisin kelaan oikeaoppisesti niin, etteivät langat mene ristikkäin.
- ◆ Varmista, että leikkuulangan pää on tiukasti puolaan vasten kuvan S mukaisesti.
- ◆ Kohdista kelan suojakorkin kielekkeet kotelon reikiin.
- ◆ Paina kelan suojakorkki koteloon, kunnes se napsahtaa kiinni paikalleen.
- ◆ Jos leikkuulanka ylettyy leikkuuterään yli, leikkaa se lyhyemmäksi niin, että se juuri ylettyy terään. Jos automaattinen langansyöttö ei vielä toimi tai kela on jumissa, kokeile seuraavia toimenpiteitä:
  - ◆ Puhdista kela ja kotelo huolellisesti.
  - ◆ Irrota kela ja varmista, että kelakotelon vipu pääsee liikkumaan esteettä.
  - ◆ Poista kela, pura lanka kalalta ja kierrä se sitten tasaisesti takaisin. Asenna kela takaisin koteloon.

## Huolto

Verkkojohdolla varustettu tai verkkojohdoton BLACK+DECKER-kone/työkalu on suunniteltu toimimaan mahdollisimman kauan mahdollisimman vähällä huollolla.

Oikealla huollolla ja säännöllisellä puhdistuksella työkalu/kone säilyttää suorituskykynsä. Laturi ei tarvitse säännöllisen puhdistamisen lisäksi mitään muuta huoltoa.

**Varoitus!** Ennen verkkojohdolla varustetun tai verkkojohdoton sähkötyökalun huoltoa toimi seuraavasti:

- ◆ Sammuta kone/työkalu ja irrota se verkkovirrasta.
- ◆ Jos koneessa/työkalussa on erillinen akku, sammuta kone/työkalu ja irrota sen akku.
- ◆ Jos akku on kiinteä, käytä akku täysin loppuun ja sammuta laite/työkalu sitten.
- ◆ Irrota laturi pistorasiasta ennen laturin puhdistamista. Laturi ei tarvitse säännöllisen puhdistamisen lisäksi mitään muuta huoltoa.
- ◆ Puhdista työkalun/koneen ja laturin ilma-aukot säännöllisesti pehmeällä harjalla tai kuivalla liinalla.
- ◆ Puhdista moottorikotelo säännöllisesti kostealla liinalla. Älä käytä hankaavia tai liuotinpohjaisia puhdistusaineita.
- ◆ Puhdista leikkuulanka ja kela säännöllisesti pehmeällä harjalla tai kuivalla liinalla.
- ◆ Poista ruoho ja lika suojuksen alta säännöllisesti tylpällä kaapimella.

## Ympäristösuojelu



Toimita tämä laite erilliskeräykseen. Tällä symbolilla merkityjä tuotteita ja akkuja ei saa hävittää tavallisen kotitalousjätteen mukana.

Tuotteissa ja akkuissa on materiaaleja, jotka voidaan ottaa talteen tai kierrättää uudelleen käyttöä varten. Kierrätä sähkölaitteet ja akut paikallisten määräyksien mukaan. Lisätietoa on saatavilla osoitteessa [www.2helpU.com](http://www.2helpU.com)

## Tekniset tiedot

		BESTA525 Tyyppi 1	BESTA528 Tyyppi 1	BESTA530 Tyyppi 1
Jännite	V <sub>AC</sub>	230	230	230
Ottoteho	W	450	550	550
Kuormittamaton nopeus	min <sup>-1</sup>	7500	7500	7500
Paino	kg	2,4	2,4	2,4

### Äänenpainetaso:

Äänenpaine (L<sub>pa</sub>) 81 dB(A), epävarmuus (K) 3 dB(A)

Äänitehotaso (L<sub>wa</sub>) 93 dB(A), epävarmuus (K) 2,6 dB(A)

Tärinän kokonaisarvot (vektorisumma) standardin EN 50636-2-91 mukaisesti:

Tärinäpäästöarvo (a<sub>v</sub>) 4,9 m/s<sup>2</sup>, epävarmuus (K) 1,7 m/s<sup>2</sup>

**EY-vaatimustenmukaisuusvakuutus**KONEDIREKTIIVI  
ULKOILMAMELUDIREKTIIVI

BESTA525, BESTA528, BESTA530 - Trimmeri

Black &amp; Decker ilmoittaa, että tuotteet, jotka on kuvattu kohdassa "Tekniset tiedot" ovat seuraavien direktiivien vaatimusten mukaisia:

2006/42/EY, EN60335-1:2012 +A11:2014,  
EN 50636-2-91:20142000/14/EY, Nurmikkotrimmeri, L ≤ 50 cm, Liite VI  
DEKRA Certification B.V. Meander 1051 / P.O. Box 5185  
6825 MJ ARNHEM / 6802 ED ARNHEM, Netherlands  
Ilmoitetun laitoksen tunnusnumero: 0344Äänitehotaso mitattuna standardin 2000/14/EY mukaisesti  
(Artikla 12, liite III, L ≤ 50 cm): $L_{WA}$  (mitattu ääniteho) 93 dB(A)

Epätarkkuus = 3 dB(A)

 $L_{WA}$  (taattu ääniteho) 96 dB(A)

Nämä tuotteet täyttävät myös direktiivien 2014/30/EU ja 2011/65/EU vaatimukset. Lisätietoja saa ottamalla yhteyden Black &amp; Deckeriin seuraavassa osoitteessa. Tiedot ovat myös käyttöohjeen takakannessa.

Allekirjoittanut vastaa teknisten tietojen kokoamisesta tehden tämän ilmoituksen Black &amp; Deckerin puolesta.

R. Laverick  
Teknisen osaston johtaja  
Black & Decker Europe, 210 Bath Road, Slough,  
Berkshire, SL1 3YD  
Iso-Britannia  
14.12.2017**Προβλεπόμενη χρήση**

Τα κοπτικά BLACK+DECKER BESTA525, BESTA528, BESTA530 έχουν σχεδιαστεί για κοπή και φινίρισμα άκρων γκαζόν και για κοπή χόρτων σε περιορισμένους χώρους. Αυτά τα μηχανήματα προορίζονται μόνο για καταναλωτική χρήση.

**Οδηγίες ασφαλείας****Προειδοποίηση!** Κατά τη χρήση μηχανημάτων που τροφοδοτούνται με ηλεκτρικό ρεύμα δικτύου, θα πρέπει να λαμβάνονται πάντα οι βασικές προφυλάξεις ασφαλείας, συμπεριλαμβανομένων και των παρακάτω, για τον περιορισμό του κινδύνου πυρκαγιάς, ηλεκτροπληξίας, τραυματισμού και υλικών ζημιών.**Προειδοποίηση!** Κατά τη χρήση του μηχανήματος πρέπει να τηρούνται οι κανόνες ασφαλείας.

Για ασφάλεια δική σας και των παρευρισκομένων, διαβάστε αυτές τις οδηγίες πριν χρησιμοποιήσετε το μηχανήμα.

Φυλάξτε τις οδηγίες σε ασφαλές μέρος για μεταγενέστερη χρήση.

- ◆ Διαβάστε προσεκτικά όλο το περιεχόμενο αυτού του εγχειριδίου πριν χρησιμοποιήσετε το μηχανήμα.
- ◆ Η προβλεπόμενη χρήση περιγράφεται σε αυτό το εγχειρίδιο. Τόσο η χρήση οποιουδήποτε αξεσουάρ ή προσαρτήματος, όσο και η πραγματοποίηση με αυτό το μηχανήμα οποιασδήποτε εργασίας, πέραν αυτών που συνιστώνται στο παρόν εγχειρίδιο οδηγιών, μπορεί να εγκυμονεί κίνδυνο σωματικών βλαβών.

**Takuu**

Black &amp; Decker on vakuuttanut tuotteidensa korkeasta laadusta ja tarjoaa kuluttajille 24 kuukauden takuun, joka astuu voimaan ostopäivänä. Takuu on lisäys kuluttajan laillisiin oikeuksiin eikä vaikuta niihin. Tämä takuu on voimassa kaikissa EU- ja ETA-maissa.

Edellytyksenä takuun saamiselle on, että vaade täyttää Black & Deckerin ehdot ja että ostaja toimittaa ostotositteen jälleenmyyjälle tai valtuutetulle huoltoliikkeelle. Black & Deckerin kahden vuoden takuun ehdot ja lähimmän valtuutetun korjauspalvelun yhteystiedot ovat saatavilla osoitteessa [www.2helpU.com](http://www.2helpU.com) tai ottamalla yhteyttä paikalliseen Black & Deckerin toimipisteeseen tässä ohjekirjassa:Käy verkkosivuillemme osoitteessa [www.blackanddecker.fi](http://www.blackanddecker.fi) ja rekisteröi uusi BLACK+DECKER -tuotteesi saadaksesi tietoa uusista tuotteista ja erikoistarjouksista.



- ♦ Φυλάξτε αυτό το εγχειρίδιο για μελλοντική αναφορά.

## Χρήση του μηχανήματός σας

Προσέχετε πάντα όταν χρησιμοποιείτε το μηχάνημα.

- ♦ Φοράτε πάντα προστατευτικά γυαλιά ασφαλείας.
- ♦ Μην αφήνετε ποτέ να χρησιμοποιήσουν το μηχάνημα μικρά παιδιά ή άτομα που δεν γνωρίζουν τις οδηγίες.
- ♦ Μη χρησιμοποιείτε ποτέ το μηχάνημα όταν υπάρχουν κοντά άνθρωποι και ιδιαίτερα **παιδιά**, ή κατοικίδια ζώα.
- ♦ Απαιτείται στενή επίβλεψη κατά τη χρήση του μηχανήματος κοντά σε παιδιά.
- ♦ Αυτό το μηχάνημα δεν προορίζεται για χρήση από νεαρά ή αδύναμα άτομα χωρίς επίβλεψη.
- ♦ Αυτό το μηχάνημα δεν πρέπει να χρησιμοποιείται ως παιχνίδι.
- ♦ Χρησιμοποιείτε το μηχάνημα μόνο με φυσικό φως ή με επαρκή τεχνητό φωτισμό.
- ♦ Να χρησιμοποιείται μόνο σε στεγνή τοποθεσία. Μην αφήσετε να βραχεί το μηχάνημα.
- ♦ Μη βυθίσετε το μηχάνημα σε νερό.
- ♦ Μην ανοίγετε το περίβλημα του σώματος της συσκευής. Δεν υπάρχουν εξαρτήματα στο εσωτερικό που να επιδέχονται επισκευή από το χρήστη.
- ♦ Μην χρησιμοποιείτε το μηχάνημα σε περιβάλλον όπου υπάρχει κίνδυνος

έκρηξης, όπως όταν υπάρχουν εύφλεκτα υγρά, αέρια ή σκόνη.

- ♦ Για να βγάλετε το φισ από την πρίζα, μην τραβάτε ποτέ το καλώδιο. Έτσι θα αποφύγετε τον κίνδυνο φθοράς του φισ και του καλωδίου.

## Ασφάλεια τρίτων

- ♦ Σε καμία περίπτωση μην επιτρέψετε σε **παιδιά**, σε άτομα με μειωμένες σωματικές, αντιληπτικές ή διανοητικές ικανότητες ή με έλλειψη εμπειρίας και γνώσης ή σε άτομα μη εξοικειωμένα με τις παρούσες οδηγίες, να χρησιμοποιήσουν το μηχάνημα - τοπικοί κανονισμοί μπορεί να θέτουν όρια στην ηλικία του χειριστή.
- ♦ Τα παιδιά δεν πρέπει να παίζουν με το μηχάνημα. Ο καθαρισμός και η συντήρηση από το χρήστη δεν πρέπει να γίνονται από παιδιά χωρίς επίβλεψη.

## Υπολειπόμενοι κίνδυνοι

Κατά τη χρήση του εργαλείου μπορεί να δημιουργηθούν πρόσθετοι υπολειπόμενοι κίνδυνοι, οι οποίοι ενδέχεται να μη συμπεριλαμβάνονται στις προειδοποιήσεις ασφαλείας που εσωκλείονται. Αυτοί οι κίνδυνοι μπορεί να προκληθούν από κακή χρήση, παρατεταμένη χρήση κλπ. Παρά την εφαρμογή των σχετικών κανονισμών ασφαλείας και τη χρήση διατάξεων ασφαλείας, ορισμένοι υπολειπόμενοι κίνδυνοι δεν είναι δυνατό να αποφευχθούν. Αυτοί περιλαμβάνουν:

- ♦ Τραυματισμούς από την επαφή με οποιαδήποτε περιστρεφόμενα/κινούμενα μέρη.
- ♦ Τραυματισμούς από αλλαγή οποιωνδήποτε εξαρτημάτων, λεπίδων ή αξεσουάρ.
- ♦ Τραυματισμούς από παρατεταμένη χρήση του εργαλείου. Όταν χρησιμοποιείτε οποιοδήποτε εργαλείο για παρατεταμένα χρονικά διαστήματα, μην παραλείπετε με κανένα τρόπο να κάνετε τακτικά διαλείμματα.
- ♦ Βλάβη της ακοής.
- ♦ Κινδύνους για την υγεία λόγω εισπνοής σκόνης που αναπτύσσεται κατά τη χρήση του εργαλείου (παράδειγμα:- εργασία με ξύλο, ειδικά βελανιδιά, οξιά και MDF).

### Κραδασμοί

Η δηλωμένη τιμή εκπομπής κραδασμών που αναφέρεται στα τεχνικά χαρακτηριστικά και τη δήλωση συμμόρφωσης έχει μετρηθεί σύμφωνα με τυποποιημένη μέθοδο δοκιμής που προβλέπεται από το πρότυπο EN50636 και μπορεί να χρησιμοποιηθεί για τη σύγκριση ενός εργαλείου με ένα άλλο. Η δηλωμένη τιμή εκπομπής κραδασμών μπορεί επίσης να χρησιμοποιηθεί σε έναν προκαταρκτικό προσδιορισμό της έκθεσης σε κραδασμούς.

**Προειδοποίηση!** Στην πράξη, η τιμή εκπομπής κραδασμών κατά την χρήση του ηλεκτρικού εργαλείου μπορεί να διαφέρει από την τιμή που

δηλώθηκε, ανάλογα με τον τρόπο που χρησιμοποιείται το εργαλείο. Το επίπεδο κραδασμών μπορεί να αυξηθεί πάνω από το επίπεδο που έχει δηλωθεί.

Κατά τον προσδιορισμό της έκθεσης σε κραδασμούς για τον καθορισμό των απαιτούμενων μέτρων ασφαλείας σύμφωνα με την οδηγία 2002/44/ΕΚ για την προστασία προσώπων που χρησιμοποιούν συχνά ηλεκτρικά εργαλεία στην εργασία τους, μια προσεγγιστική εκτίμηση της έκθεσης σε κραδασμούς πρέπει να λαμβάνει υπόψη τις πραγματικές συνθήκες χρήσης και τον τρόπο χρήσης του εργαλείου, συμπεριλαμβανομένων και όλων των επιμέρους τμημάτων του κύκλου εργασίας, όπως τα χρονικά διαστήματα που το εργαλείο ήταν εκτός λειτουργίας και τα διαστήματα λειτουργίας χωρίς φορτίο, επιπλέον του χρόνου πίεσης της σκανδάλης.

### Μετά τη χρήση

- ♦ Όταν δεν χρησιμοποιείται, το μηχάνημα πρέπει να φυλάσσεται σε στεγνό, καλά αεριζόμενο χώρο, μακριά από παιδιά.
- ♦ Τα παιδιά δεν πρέπει να έχουν πρόσβαση σε αποθηκευμένα μηχανήματα.
- ♦ Όταν το μηχάνημα φυλάσσεται ή μεταφέρεται με όχημα, πρέπει να τοποθετείται στο χώρο αποσκευών ή να στερεώνεται ώστε να μη μετακινείται σε περίπτωση απότομων

μεταβολών της ταχύτητας ή της κατεύθυνσης του οχήματος.

## Έλεγχος και επισκευές

- Πριν από τη χρήση, ελέγξτε το μηχάνημα για τυχόν εξαρτήματα που παρουσιάζουν ζημιά ή βλάβη. Ελέγξτε αν υπάρχουν σπασμένα εξαρτήματα και οποιαδήποτε άλλα προβλήματα που θα μπορούσαν να επηρεάσουν τη λειτουργία του.
- Μη χρησιμοποιήσετε το μηχάνημα αν οποιοδήποτε εξάρτημά τους έχει υποστεί ζημιά ή βλάβη.
- Δώστε τα τυχόν χαλασμένα ή ελαττωματικά εξαρτήματα για αντικατάσταση ή επιδιόρθωση σε ένα εξουσιοδοτημένο κέντρο επισκευών.
- Ποτέ μην επιχειρήσετε να αφαιρέσετε ή να αντικαταστήσετε οποιοδήποτε εξάρτημα, εκτός από αυτά που καθορίζονται στο παρόν εγχειρίδιο.

## Πρόσθετες οδηγίες ασφαλείας για χορτοκοπτικά

**Προειδοποίηση!** Τα εξαρτήματα κοπής συνεχίζουν να περιστρέφονται και μετά την απενεργοποίηση του μοτέρ.

- Εξοικειωθείτε με τα χειριστήρια και τη σωστή χρήση του μηχανήματος.
- Πριν από τη χρήση, ελέγξτε προσεκτικά το καλώδιο τροφοδοσίας και το καλώδιο προέκτασης για σημάδια ζημιάς, παλαιώσης ή φθοράς.  
Εάν κάποιο καλώδιο υποστεί ζημιά κατά τη χρήση, αποσυνδέστε

το αμέσως από την πρίζα.  
**ΜΗΝ ΑΓΓΙΞΕΤΕ ΤΟ ΚΑΛΩΔΙΟ ΠΡΙΝ ΑΠΟΣΥΝΔΕΣΕΤΕ ΤΗΝ ΤΡΟΦΟΔΟΣΙΑ.**

- Μη χρησιμοποιείτε το μηχάνημα αν τα καλώδια παρουσιάζουν ζημιά ή φθορά.
- Πριν χρησιμοποιήσετε το μηχάνημα και μετά από οποιαδήποτε πρόσκρουση, ελέγχετε για σημάδια φθοράς ή ζημιάς και φροντίστε για τις απαραίτητες επισκευές.
- Εξασφαλίζετε πάντοτε ότι οι εγκοπές εξαερισμού διατηρούνται καθαρές από υπολείμματα.
- Να φοράτε γερά παπούτσια ή μπότες για να προστατεύετε τα πόδια σας.
- Να φοράτε παντελόνι για να προστατεύετε τα πόδια σας.
- Πριν τη χρήση του μηχανήματος να ελέγχετε ότι η διαδρομή κοπής είναι απαλλαγμένη από κλαδιά, πέτρες, σύρματα και άλλα εμπόδια.
- Χρησιμοποιείτε το μηχάνημα μόνο σε όρθια θέση, με το νήμα κοπής κοντά στο έδαφος. Ποτέ μην ενεργοποιήσετε το μηχάνημα σε οποιαδήποτε άλλη θέση.
- Μην τεντώνετε για να εργαστείτε σε σημεία που δεν φτάνετε καλά, και να διατηρείτε συνεχώς την ισορροπία σας. Να είστε πάντοτε σίγουροι για το που πατάτε σε έδαφος με κλίση, και να περπατάτε, ποτέ μην τρέχετε.
- Μην εργάζεστε σε τοποθεσίες με απότομη κλίση. Σε εδάφη με κλίση, να εργάζεστε εγκάρσια ως προς την κλίση, όχι προς τα πάνω και κάτω.

- ♦ Να μετακινείτε αργά κατά τη χρήση του μηχανήματος. Να έχετε υπόψη σας ότι το φρεσκοκομμένο γρασίδι είναι υγρό και ολισθηρό.
- ♦ Μην διασχίζετε ποτέ μονοπάτια ή δρόμους με χαλίκι με το μηχάνημα σε λειτουργία.
- ♦ Μην αγγίζετε κινούμενα επικίνδυνα εξαρτήματα πριν αποσυνδεθεί το μηχάνημα από το δίκτυο ρεύματος και τα κινούμενα μέρη έχουν ακινητοποιηθεί πλήρως.
- ♦ Μην αγγίζετε ποτέ το νήμα κοπής ενώ λειτουργεί το μηχάνημα.
- ♦ Μην αφήσετε κάτω το μηχάνημα πριν ακινητοποιηθεί πλήρως το νήμα κοπής.
- ♦ Χρησιμοποιείτε μόνο τον κατάλληλο τύπο νήματος κοπής. Ποτέ μη χρησιμοποιήσετε μεταλλικό νήμα κοπής ή πετονιά ψαρέματος.
- ♦ Προσέξτε να μην αγγίζετε ποτέ τη λεπίδα κοπής του νήματος.
- ♦ Προσέξτε ώστε το καλώδιο ρεύματος να παραμένει μακριά από το νήμα. Να έχετε πάντα υπόψη σας τη θέση του καλωδίου.
- ♦ Κρατάτε πάντοτε τα χέρια και τα πόδια σας μακριά από το νήμα κοπής, ειδικά κατά την ενεργοποίηση του μοτέρ.
- ♦ Μη χρησιμοποιήσετε ποτέ το μηχάνημα με προστατευτικά που έχουν υποστεί ζημιά ή χωρίς προστατευτικά στη θέση τους.
- ♦ Προσέχετε να μην τραυματιστείτε από οποιαδήποτε διάταξη έχει τοποθετηθεί για την κοπή του νήματος. Μετά το τέντωμα νέου νήματος κοπής, πάντοτε

επαναφέρετε το μηχάνημα στην κανονική του θέση λειτουργίας πριν το ενεργοποιήσετε.

- ♦ Μη χρησιμοποιείτε το χλοοκοπτικό (κοπτικό άκρων), αν τα καλώδια έχουν υποστεί ζημιά ή φθορά.
- ♦ Κρατάτε τα καλώδια επέκτασης μακριά από στοιχεία κοπής.

## Ασφαλής χρήση ηλεκτρικού ρεύματος



Αυτό το μηχάνημα φέρει διπλή μόνωση. Επομένως, δεν απαιτείται καλώδιο γείωσης. Ελέγχετε πάντα ότι η παροχή ρεύματος αντιστοιχεί στην τάση που αναφέρεται στην πινακίδα στοιχείων.

- ♦ Αν το καλώδιο τροφοδοσίας είναι κατεστραμμένο, πρέπει να αντικατασταθεί από τον κατασκευαστή ή εξουσιοδοτημένο κέντρο τεχνικής υποστήριξης της BLACK+DECKER για την αποφυγή κινδύνου.
- ♦ Η ασφαλής χρήση του ηλεκτρικού ρεύματος μπορεί να βελτιωθεί ακόμα περισσότερο με τη χρήση μιας Διάταξης Προστασίας Ρεύματος Διαρροής (RCD) 30 mA υψηλής ευαισθησίας.

## Ετικέτες πάνω στο μηχάνημα

Το μηχάνημα φέρει τα παρακάτω προειδοποιητικά σύμβολα μαζί με τον κωδικό ημερομηνίας:



**Προειδοποίηση!** Διαβάστε το εγχειρίδιο οδηγιών πριν από τη λειτουργία.



Φοράτε γυαλιά ασφαλείας ή ειδικά προστατευτικά γυαλιά όταν χρησιμοποιείτε αυτό το μηχάνημα.



Να φοράτε κατάλληλη προστασία της ακοής κατά τη χρήση αυτού του μηχανήματος.



Να βγάζετε πάντα το βύσμα από την πρίζα πριν ελέγξετε ένα φθαρμένο καλώδιο. Προσέξτε να μην χρησιμοποιήσετε το κοπτικό αν το καλώδιο έχει φθαρεί ή καταστραφεί.



Προσέχετε για τυχόν αντικείμενα που εκσφενδονίζονται. Μην αφήνετε να πλησιάσουν άλλα άτομα στην περιοχή κοπής.



Μην εκθέτετε το μηχάνημα σε βροχή ή υψηλά επίπεδα υγρασίας.



Εγγυημένη ηχητική ισχύς σύμφωνα με την Οδηγία 2000/14/ΕΚ.

## Χαρακτηριστικά

Αυτό το μηχάνημα διαθέτει μερικά από ή όλα τα παρακάτω χαρακτηριστικά.

1. Διακόπτης ενεργοποίησης/ απενεργοποίησης (on/off)
2. Εξάρτημα συγκράτησης καλωδίου
3. Φις καλωδίου ρεύματος
4. Βοηθητική λαβή
5. Κολάρο
6. Περιβλήμα μοτέρ
7. Τροχός οδηγού άκρων (BESTA528 και BESTA530 μόνο)
8. Προστατευτικό
9. Καρούλι

## Συναρμολόγηση

**Προειδοποίηση!** Πριν από τη συναρμολόγηση, βεβαιωθείτε ότι το εργαλείο είναι απενεργοποιημένο και ότι το φις δεν είναι συνδεδεμένο στην πρίζα.

### Τοποθέτηση του προστατευτικού (εικ. Α & Β)

- ◆ Γυρίστε το κοπτικό ανάποδα έτσι ώστε να βλέπετε το καρούλι (9).
- ◆ Αφαιρέστε τη βίδα από το προστατευτικό με κατασαβίδι Phillips (δεν παρέχεται).
- ◆ Γυρίστε το προστατευτικό (8) ανάποδα και σιρευτέ το πλήρως στο περίβλημα του κινητήρα (6). Βεβαιωθείτε ότι οι γλωπίδες (10) στο προστατευτικό ασφαλίζουν στις νευρώσεις (11) του περιβλήματος του κινητήρα, όπως φαίνεται στην Εικ. Α. Η γλωπίδα ασφάλισης (25) πρέπει να έχει ασφαλίσει στην εγκοπή του περιβλήματος (26).
- ◆ Συνεχίστε να μετακινείτε το προστατευτικό μέχρι να το ακούσετε να "κουμπώσει" στη θέση του.
- ◆ Εισαγάγετε τη βίδα του προστατευτικού και σφίξτε την καλά όπως δείχνει η Εικ. Β για να ολοκληρώσετε τη συναρμολόγηση του προστατευτικού.

- ◆ Μόλις τοποθετηθεί το προστατευτικό, αφαιρέστε το κάλυμμα από τη λεπίδα αποκοπής νήματος που βρίσκεται στο άκρο του προστατευτικού.

**Προειδοποίηση!** Σε καμία περίπτωση μη χρησιμοποιήσετε το εργαλείο αν δεν έχει τοποθετηθεί σωστά και σταθερά στη θέση του το προστατευτικό.

### Τοποθέτηση της βοηθητική λαβής (Εικ. C, D, E)

- ◆ Για να τοποθετήσετε τη λαβή (4), πιέστε μέσα τα κουμπιά (12) και στις δύο πλευρές του πάνω περιβλήματος όπως δείχνει η Εικ. C.
- ◆ Ρυθμίστε τη θέση της λαβής όπως δείχνει η Εικ. D, ταιριάζοντας την αυλακωτή πλευρά της λαβής με το αυλακωτό κουμπί. Πιέστε εν μέρει τη λαβή έτσι ώστε να συγκρατεί τα κουμπιά μέσα όταν τα ελευθερώσετε με το χέρι σας.
- ◆ Πιέστε τη λαβή πλήρως πάνω στο περίβλημα και ρυθμίστε τη θέση της ελαφρά ώστε να "κουμπώσει" στη θέση της (Εικ. E).
- ◆ Για να ρυθμίσετε τη λαβή προς τα πάνω ή κάτω, πιέστε μέσα το κουμπί (13) και ανυψώστε ή χαμηλώστε τη λαβή.
- ◆ Η λαβή θα πρέπει να ρυθμιστεί έτσι ώστε ο μπροστινός σας βραχίονας να είναι τεντωμένος όταν το κοπτικό είναι στη θέση εργασίας.

### Ρύθμιση ύψους (Εικ. F)

- ◆ Μπορείτε να ρυθμίσετε το συνολικό ύψος του κοπτικού λασκάροντας το κολάρο (5) και περιστρέφοντάς το στην κατεύθυνση του βέλους όπως δείχνει η Εικ. G.
- ◆ Μετακινήστε το πάνω περίβλημα ευθεία προς τα πάνω ή κάτω. Όταν επιτύχετε το επιθυμητό ύψος, σφίξτε το κολάρο περιστρέφοντάς το αντίθετα με την κατεύθυνση που δείχνει η Εικόνα F.

### Σύνδεση του καλωδίου επέκτασης (Εικ. G)

Στη λαβή διακόπτη υπάρχει ενσωματωμένο ένα σύστημα συγκράτησης καλωδίου επέκτασης (2) που εμποδίζει να αποσυνδεθεί το καλώδιο.

- ◆ Για να χρησιμοποιήσετε αυτή τη δυνατότητα, απλά κάνετε διπλό το καλώδιο επέκτασης σε απόσταση περίπου 203 mm από το άκρο, και εισάγετέ το στην εγκοπή (14) στο άκρο της περιοχής της λαβής, όπως φαίνεται στην Εικ. G.
- ◆ Πιάστε στο άγκιστρο τη θηλιά που σχηματίζεται περνώντας διπλό το καλώδιο πάνω από την προεξοχή (2). Τραβήξτε απαλά το καλώδιο για να βεβαιωθείτε ότι έχει στερεωθεί καλά μέσα στο εξάρτημα συγκράτησης στο κοπτικό.
- ◆ Συνδέστε το άκρο πρίζας του καλωδίου επέκτασης στο φις (3) του καλωδίου ρεύματος του κοπτικού.

### Απελευθέρωση του νήματος κοπής

Κατά τη μεταφορά, το νήμα κοπής είναι κολλημένο με ταινία στο περίβλημα του καρουλιού.

**Προειδοποίηση!** Πριν τη συναρμολόγηση, αποσυνδέστε το μνημόνιο από την τροφοδοσία ρεύματος.

- ◆ Αφαιρέστε την ταινία που συγκρατεί το νήμα κοπής στο περίβλημα του καρουλιού.
- ◆ Βλ. “Αντικατάσταση καρουλιού” για πληροφορίες σχετικά με την αφαίρεση του καρουλιού.

### Σωστή τοποθέτηση των χεριών

Για τη σωστή τοποθέτηση των χεριών απαιτείται να έχετε ένα χέρι στην κύρια λαβή, με το άλλο χέρι στη βοηθητική λαβή (4).

### Ενεργοποίηση και απενεργοποίηση

Για να ενεργοποιήσετε το κοπτικό, πιάστε το διακόπτη σκανδάλης (1).

Για να απενεργοποιήσετε το κοπτικό, απελευθερώστε το διακόπτη σκανδάλης.

### Λειτουργία του κοπτικού

- ◆ Με τη μονάδα ενεργοποιημένη, δώστε γωνία στη μονάδα και κινήστε αργά από πλευρά σε πλευρά όπως δείχνει η εικόνα Η.
- ◆ Διατηρήστε γωνία κοπής 5° έως 10°, όπως φαίνεται στην Εικ. J. Μην υπερβείτε τις 10° (Εικ. J). Κόβετε με το άκρο του νήματος. Για να διατηρήσετε απόσταση από σκληρές, επιφάνειες, χρησιμοποιήστε τον τροχό άκρων (7).
- ◆ Διατηρείτε μια ελάχιστη απόσταση 600 mm ανάμεσα στο προστατευτικό και στα πόδια σας, όπως δείχνει η Εικ. I. Για να επιτύχετε την απόσταση αυτή, προσαρμόστε το συνολικό ύψος του κοπτικού όπως δείχνει η Εικ. F.

### Μετατροπή σε λειτουργία φινιρίσματος άκρου (Εικ. Κ)

Το κοπτικό μπορεί να χρησιμοποιηθεί στη λειτουργία κοπής ή στη λειτουργία φινιρίσματος άκρου, για την κοπή χόρτων που προεξέχουν από το άκρο του γκαζόν και των παρτεριών.

**Προειδοποίηση!** Αποσυνδέστε το φως από την πηγή ρεύματος πριν πραγματοποιήσετε οποιαδήποτε ρύθμιση.

**Προειδοποίηση!** Κατά τη χρήση για το φινιρίσμα άκρων, είναι δυνατόν πέτρες, τεμάχια μετάλλου και άλλα αντικείμενα να εκτοξευτούν με μεγάλη ταχύτητα από το νήμα. Το κοπτικό και το προστατευτικό είναι σχεδιασμένα να μειώνουν τον κίνδυνο. Ωστόσο, **ΒΕΒΑΙΩΘΕΙΤΕ** ότι άλλα άτομα και κατοικίδια βρίσκονται σε ελάχιστη απόσταση 30 m.

- ◆ Για να το χρησιμοποιήσετε για συντήρηση φινιρίσματος άκρων, περιστρέψτε το κολάρο (5) όπως φαίνεται στην Εικ. Κ.
- ◆ Συγκρατήστε το μεταλλικό άξονα και περιστρέψτε το κάτω περίβλημα κατά 180° όπως δείχνει η Εικ. Κ.
- ◆ Περιστρέψτε το κολάρο στην αρχική του θέση μέχρι να σφίξει καλά.

**Σημείωση:** Ο μεταλλικός άξονας και το περίβλημα θα περιστρέφονται μόνο προς μία κατεύθυνση.

- ◆ Επαναφέρετε στη θέση κοπής λασκάροντας το κολάρο ασφάλισης, περιστρέφοντας το κάτω περίβλημα αντίθετα με πριν κατά 180° και σφίγγοντας πάλι το κολάρο.

### Φινιρίσμα άκρων (Εικ. L)

Τα καλύτερα αποτελέσματα κοπής επιτυγχάνονται σε άκρο με βάθος μεγαλύτερο από 50 mm. Μη χρησιμοποιείτε αυτό το κοπτικό για δημιουργία αυλακιών.

- ◆ Χρησιμοποιώντας τον τροχό φινιρίσματος άκρου (7), ή το συρμάτινο προστατευτικό, καθοδηγήστε το κοπτικό, όπως φαίνεται στην Εικ. L.
- ◆ Τοποθετήστε τον τροχό φινιρίσματος άκρου στο άκρο πεζοδρομίου ή τραχιάς επιφάνειας, έτσι ώστε το νήμα κοπής να είναι επάνω από το γρασίδι ή την περιοχή χύματος της οποίας το άκρο θα φινιριστεί.

**Σημείωση:** Το Αυτόματο σύστημα τροφοδότησης ενδέχεται να μη λειτουργεί σωστά αν δεν χρησιμοποιείται ο οδηγός άκρων με τροχό.

**Σημείωση:** Θα έχετε μεγαλύτερη από το κανονικό φθορά του νήματος κοπής αν ο τροχός φινιρίσματος άκρου τοποθετηθεί πολύ μακριά από το άκρο με το νήμα κοπής τοποθετημένο πάνω από το πεζοδρόμιο ή την τραχιά επιφάνεια.

- ◆ Για να πραγματοποιήσετε μια πλησιέστερη κοπή, γείρετε ελαφρά το κοπτικό.
- ◆ Επαναφέρετε στη θέση κοπής λασκάροντας το κολάρο ασφάλισης και περιστρέφοντας το κάτω περίβλημα αντίθετα με πριν κατά 180°. Το εργαλείο θα ασφαλίσει στη θέση κοπτικού.

### Νήμα κοπής / τροφοδότηση νήματος

Το κοπτικό σας χρησιμοποιεί ΣΤΡΟΓΓΥΛΟ νάιλον νήμα διαμέτρου 1,65 mm. Κατά τη διάρκεια της χρήσης, το άκρο του νάιλον νήματος θα ξεφτίζει και θα φθερίεται και το ειδικό καρούλι αυτόματης τροφοδοσίας θα τροφοδοτεί αυτόματα και θα κόβει στο κατάλληλο σημείο ένα φρέσκο μήκος νήματος. Το νήμα κοπής θα φθερίεται ταχύτερα και θα χρειάζεται συχνότερη τροφοδότηση, αν η κοπή ή το φινιρίσμα άκρων γίνεται κατά μήκος πεζοδρομίων ή άλλων σκληρών επιφανειών ή εάν κόβονται μεγαλύτερου πάχους ζιζάνια. Ο προηγμένος μηχανισμός αυτόματης τροφοδοσίας νήματος ανιχνεύει πότε χρειάζεται περισσότερο νήμα κοπής και τροφοδοτεί και κόβει το σωστό μήκος νήματος όταν απαιτείται. Μη χτυπάτε το κοπτικό πάνω στο έδαφος σε προσπάθεια τροφοδότησης νήματος ή για οποιονδήποτε άλλο σκοπό.

### Χρήσιμες συμβουλές για την κοπή

- ◆ Χρησιμοποιείτε το άκρο του νήματος για την κοπή και μην αναγκάζετε την κεφαλή του νήματος να εισέρχεται σε γρασίδι που δεν έχει κοπεί.
- ◆ Οι φράκτες από συρματόπλεγμα ή ξύλο προκαλούν πρόσθετη φθορά του νήματος, ακόμη και θραύση του. Οι τοίχοι από πέτρα και τούβλα, τα ρείθρα πεζοδρομίων

και τα ξύλα μπορεί να προκαλέσουν ταχύτατη φθορά του νήματος.

- ◆ Μην επιτρέπεται στο κάλυμμα του καρουλιού να σύρεται στο έδαφος ή σε άλλες επιφάνειες.
- ◆ Όταν τα χόρτα έχουν μεγάλο μήκος κόβετε από το πάνω μέρος προς τα κάτω και μην υπερβείτε το ύψος των 300 mm.
- ◆ Διατηρείτε το κοπτικό με κλίση προς την περιοχή που κόβεται - αυτή είναι η καλύτερη περιοχή κοπής.
- ◆ Το κοπτικό κόβει καθώς κινείται τη μονάδα από τα αριστερά προς τα δεξιά. Έτσι θα αποφεύγεται εκτίναξη υπολειμμάτων προς το χειριστή.
- ◆ Αποφεύγετε δένδρα και θάμνους. Ο φλοιός των δένδρων, τα ξύλινα σοβατεπί, τα ξύλινα πλευρικά καλύμματα τοίχων και οι πάσσαλοι φρακτών μπορούν εύκολα να υποστούν ζημιά από το νήμα.

### Αντικατάσταση του καρουλιού (Εικ. Μ, Ν, Ο, Ρ)

**Προειδοποίηση!** Για να μειώσετε τον κίνδυνο σοβαρού τραυματισμού, απενεργοποιήστε τη μονάδα και αποσυνδέστε την από την πηγή ρεύματος πριν κάνετε οποιοσδήποτε ρυθμίσεις ή πριν αφαιρέσετε/τοποθετήσετε προσαρτήματα ή παρελκόμενα. Τυχόν αθέλητη εκκίνηση μπορεί να προκαλέσει τραυματισμό

- ◆ Πιέστε τις γλωπίδες (15) και αφαιρέστε το κάλυμμα (25) του περιβλήματος καρουλιού (16) στην κεφαλή του κοπτικού (Εικ. Μ).
- ◆ Για τα καλύτερα αποτελέσματα, αντικαθιστάτε το καρούλι με το BLACK+DECKER αρ. μοντέλου Α6481.
- ◆ Πιάστε το άδαιο καρούλι με το ένα χέρι και το περιβλήμα καρουλιού με το άλλο και τραβήξτε έξω το καρούλι.
- ◆ Αν φύγει από τη θέση του ο μοχλός (17) (Εικ. Ν) στη βάση του περιβλήματος, τοποθετήστε τον ξανά στη σωστή θέση πριν τοποθετήσετε νέο καρούλι στο περίβλημα.
- ◆ Αφαιρέστε τυχόν βρωμιές και χόρτα από το καρούλι και από το περίβλημα.
- ◆ Απασφαλίστε το άκρο του νήματος κοπής και περάστε το νήμα στην οπή (19) Εικ. Ο.
- ◆ Πάρτε το νέο καρούλι και πιέστε το πάνω στην πλήμνη ( 18 ) μέσα στο περίβλημα (Εικ. Ν). Περιστρέψτε το καρούλι ελαφρά μέχρι να εδράσει. Το νήμα πρέπει να προεξέχει περίπου 136 mm από το περίβλημα.
- ◆ Ευθυγραμμίστε τις γλωπίδες στο κάλυμμα του καρουλιού με τις υποδοχές (20) στο περίβλημα (Εικ. Ρ).
- ◆ Πιέστε το κάλυμμα πάνω στο περίβλημα μέχρι να κουμπώσει καλά στη θέση του.

**Προειδοποίηση!** Για να αποτρέψετε ζημιά του κοπτικού, εάν το νήμα προεξέχει πέρα από τη λεπίδα κοπής, κόψτε το έτσι ώστε μόλις να φτάνει στη λεπίδα.

### Επανατύλιξη καρουλιού από χύμα νήμα κοπής (Εικ. Q, R, S)

Ανταλλακτικά καρούλια νήματος κοπής διατίθενται από τον τοπικό σας έμπορο της BLACK+ DECKER. Διατίθενται επίσης συσκευασίες που περιέχουν 3 καρούλια νήματος κοπής.

- ◆ Αποσυνδέστε το εργαλείο από την πρίζα.
- ◆ Αφαιρέστε το άδαιο καρούλι από το κοπτικό, όπως περιγράφεται στην ενότητα "ΑΝΤΙΚΑΤΑΣΤΑΣΗ ΤΟΥ ΚΑΡΟΥΛΙΟΥ".
- ◆ Αφαιρέστε τυχόν νήμα κοπής που παραμένει στο καρούλι.
- ◆ Διπλώστε το άκρο του νήματος κοπής σε μήκος περίπου 19 mm (21). Περάστε το νήμα κοπής μέσα σε μία από τις εγκοπές στερέωσης του νήματος κοπής (22) όπως φαίνεται στην Εικ. Q.

**Σημείωση:** Μην αφήσετε το νήμα μέσα στο καρούλι να ξετυλιχτεί. Κρατάτε το συνεχώς σταθερά με το ένα χέρι.

- ◆ Εισάγετε το ακραίο τμήμα των 19 mm του χύμα νήματος στην οπή (23) στο καρούλι δίπλα στην εγκοπή όπως φαίνεται στην Εικ. R. Βεβαιωθείτε ότι έχετε τραβήξει το νήμα σφιχτά στο καρούλι όπως φαίνεται στην Εικ. S.
- ◆ Τυλίξτε το νήμα στο καρούλι προς την κατεύθυνση του βέλους επάνω στο καρούλι. Βεβαιωθείτε ότι τυλίγετε το νήμα με τάξη και σε στρώσεις. Μην διασταυρώνετε τις γραμμές τύλιξης του νήματος (Εικ. S).
- ◆ Όταν το τυλιγμένο νήμα κοπής φτάσει τις εσοχές (24), κόψτε το νήμα. (Εικ. R).
- ◆ Τοποθετήστε το καρούλι πάνω στο κοπτικό, όπως περιγράφεται στην ενότητα "ΑΝΤΙΚΑΤΑΣΤΑΣΗ ΤΟΥ ΚΑΡΟΥΛΙΟΥ".

**Προειδοποίηση!** Πριν ξεκινήσετε την κοπή, χρησιμοποιήστε μόνο τον κατάλληλο τύπο νήματος κοπής.

### Αντιμετώπιση προβλημάτων

Σε περίπτωση που το εργαλείο σας δεν φαίνεται να λειτουργεί σωστά, ακολουθήστε τις παρακάτω οδηγίες. Αν αυτό δεν σας βοηθήσει να επιλύσετε το πρόβλημα, επικοινωνήστε με το πλησιέστερο κέντρο επισκευών της BLACK+DECKER.

**Προειδοποίηση!** Πριν προχωρήσετε, αποσυνδέστε το εργαλείο από την πρίζα.

### Το μηχάνημα λειτουργεί αργά

- ◆ Ελέγξτε ότι το περίβλημα του καρουλιού μπορεί να περιστρέφεται ελεύθερα. Καθαρίστε το προσεκτικά, εάν χρειάζεται.
- ◆ Ελέγξτε ότι το νήμα κοπής δεν προεξέχει περισσότερο από περίπου 136mm από το καρούλι. Εάν προεξέχει, κόψτε το ώστε μόλις να φτάνει στη λεπίδα κοπής.

### Η αυτόματη τροφοδοσία νήματος δε λειτουργεί

- ◆ Αφ το κάλυμμα του καρουλιού.

- ♦ Τραβήξτε το νήμα κοπής μέχρι να προεξέχει περίπου 136mm από το καρούλι. Αν δεν έχει μείνει αρκετό μήκος νήματος κοπής στο καρούλι, εγκαταστήστε νέο καρούλι νήματος κοπής.
- ♦ Βεβαιωθείτε ότι δεν διασταυρώνονται οι γραμμές τύλιξης του νήματος στο καρούλι όπως δείχνει η Εικ. S. Αν γίνει αυτό, ξετυλίξτε το νήμα κοπής, και κατόπιν τυλίξτε το πάλι σωστά πάνω στο καρούλι ώστε να μη διασταυρώνονται οι γραμμές.
- ♦ Βεβαιωθείτε ότι η αρχή του νήματος κοπής έχει τραβηχτεί σφιχτά πάνω στο καρούλι, όπως φαίνεται στην Εικ. S.
- ♦ Ευθυγραμμίστε τις γλωττίδες στο κάλυμμα του καρουλιού με τις εγκοπές στο περιβλήμα.
- ♦ Πιέστε το κάλυμμα του καρουλιού μέσα στο περιβλήμα μέχρι να κουμπώσει καλά στη θέση του.
- ♦ Αν το νήμα κοπής προεξέχει πέρα από τη λεπίδα κοπής, κόψτε το έτσι ώστε μόλις να φτάνει στη λεπίδα. Εάν η αυτόματη τροφοδοσία νήματος εξακολουθεί να μην λειτουργεί ή εάν το καρούλι έχει φρακάρει, δοκιμάστε τις παρακάτω υποδείξεις:
  - ♦ Καθαρίστε προσεκτικά το καρούλι και το περιβλήμα.
  - ♦ Αφαιρέστε το καρούλι και ελέγξτε αν ο μοχλός στο περιβλήμα του καρουλιού μπορεί να κινηθεί ελεύθερα.
  - ♦ Αφαιρέστε το καρούλι και ξετυλίξτε το νήμα κοπής και κατόπιν τυλίξτε το πάλι με τάξη. Επανατοποθετήστε το καρούλι μέσα στο περιβλήμα.

## Συντήρηση

Αυτό το μηχανήμα/εργαλείο ρεύματος/μπαταρίας της BLACK+DECKER έχει σχεδιαστεί έτσι ώστε να λειτουργεί για μεγάλο χρονικό διάστημα με την ελάχιστη δυνατή συντήρηση. Η αδιάλειπτη και ικανοποιητική λειτουργία του εργαλείου/μηχανήματος εξαρτάται από τη φροντίδα και τον τακτικό καθαρισμό του.

Ο φορτιστής σας δεν χρειάζεται καμία άλλη συντήρηση πέραν του τακτικού καθαρισμού.

**Προειδοποίηση!** Πριν πραγματοποιήσετε οποιαδήποτε συντήρηση σε ηλεκτρικά εργαλεία ρεύματος/μπαταρίας:

- ♦ Απενεργοποιήστε και αποσυνδέστε το μηχανήμα/εργαλείο από την πρίζα.
- ♦ Ή απενεργοποιήστε και αφαιρέστε την μπαταρία από το μηχανήμα/εργαλείο αν το μηχανήμα/εργαλείο διαθέτει ξεχωριστό πακέτο μπαταρίας.
- ♦ Ή χρησιμοποιήστε την μπαταρία μέχρι να αδειάσει εντελώς και στη συνέχεια απενεργοποιήστε.
- ♦ Αποσυνδέστε το φορτιστή από την πρίζα πριν τον καθαρίσετε. Ο φορτιστής σας δεν χρειάζεται καμία άλλη συντήρηση πέραν του τακτικού καθαρισμού.
- ♦ Να καθαρίζετε τακτικά τις εγκοπές εξερισμού του εργαλείου/μηχανήματος και του φορτιστή με μια μαλακή βούρτσα ή με ένα στεγνό πανί.

- ♦ Να καθαρίζετε τακτικά το περιβλήμα του μοτέρ με ένα υγρό πανί. Μη χρησιμοποιείτε καθαριστικά που χαράζουν ή περιέχουν διαλύτες.
- ♦ Να καθαρίζετε τακτικά το νήμα κοπής και το καρούλι με μια μαλακή βούρτσα ή ένα στεγνό πανί.
- ♦ Χρησιμοποιείτε τακτικά μια μη αιχμηρή ζύστρα για να αφαιρέσετε το γρασίδι και το χώμα από το κάτω μέρος του προστατευτικού.

## Προστασία του περιβάλλοντος



Χωριστή συλλογή. Τα προϊόντα και οι μπαταρίες που επισημαίνονται με αυτό το σύμβολο δεν πρέπει να απορρίπτονται μαζί με τα κανονικά οικιακά απορρίμματα

Τα προϊόντα και οι μπαταρίες περιέχουν υλικά που μπορούν να ανακτηθούν ή να ανακυκλωθούν ώστε να μειωθούν οι ανάγκες για πρώτες ύλες.

Παρακαλούμε να ανακυκλώνετε τα ηλεκτρικά προϊόντα και τις μπαταρίες σύμφωνα με τους τοπικούς κανονισμούς. Περισσότερες πληροφορίες διατίθενται στον ιστότοπο [www.2helpU.com](http://www.2helpU.com)

## Τεχνικά δεδομένα

		BESTA525 Τύπος 1	BESTA528 Τύπος 1	BESTA530 Τύπος 1
Τάση	V <sub>AC</sub>	230	230	230
Κατανάλωση ισχύος	W	450	550	550
Ταχύτητα χωρίς φορτίο	min <sup>-1</sup>	7500	7500	7500
Βάρος	kg	2,4	2,4	2,4

### Στάθμη ηχητικής πίεσης:

Ηχητική πίεση (L<sub>pa</sub>) 81 dB(A), αβεβαιότητα (K) 3 dB(A)

Ηχητική ισχύς (L<sub>wa</sub>) 93 dB(A), αβεβαιότητα (K) 2,6 dB(A)

Συνολικές τιμές κραδασμών (διανυσματικό άθροισμα τριών αξόνων) κατά EN 50636-2-91:

Τιμή εκπομπής κραδασμών (a<sub>w</sub>) 4,9 m/s<sup>2</sup>, αβεβαιότητα (K) 1,7 m/s<sup>2</sup>

## Δήλωση συμμόρφωσης ΕΚ

ΟΔΗΓΙΑ ΠΕΡΙ ΜΗΧΑΝΗΜΑΤΩΝ

ΟΔΗΓΙΑ ΓΙΑ ΘΟΡΥΒΟΥΣ ΣΕ ΕΞΩΤΕΡΙΚΟΥΣ ΧΩΡΟΥΣ



BESTA525, BESTA528, BESTA530 - Κοπτικό Η Black & Decker δηλώνει ότι τα προϊόντα αυτά που περιγράφονται στα "τεχνικά χαρακτηριστικά" συμμορφώνονται με τα ακόλουθα:



2006/42/EK, EN60335-1:2012 +A11:2014,  
EN 50636-2-91:2014

2000/14/EK, Χορτοκοπτικό,  $L \leq 50$  cm, Παράρτημα VI  
DEKRA Certification B.V. Meander 1051 / P.O. Box 5185

6825 MJ ARNHEM / 6802 ED ARNHEM, Ολλανδίας

Αρ. ID Διακοινωμένου Οργανισμού: 0344

Στάθμη ηχητικής ισχύος σύμφωνα με 2000/14/EK

(Άρθρο 12, Παράρτημα III,  $L \leq 50$  cm):

$L_{WA}$  (μετρούμενη ηχητική ισχύς) 93 dB(A)

Αβεβαιότητα = 3 dB(A)

$L_{WA}$  (εγγυημένη ηχητική ισχύς) 96 dB(A)

Αυτά τα προϊόντα συμμορφώνονται και με την Οδηγία  
2014/30/EE και 2011/65/EE. Για περισσότερες πληροφορίες,  
επικοινωνήστε με την Black & Decker στην παρακάτω  
διεύθυνση ή ανατρέξτε στο πίσω μέρος του εγχειριδίου.  
Ο κάτωθι υπογεγραμμένος είναι υπεύθυνος για την κατάρτιση  
του τεχνικού φακέλου και δηλώνει τα παρόντα εκ μέρους της  
Black & Decker.



R. Laverick

Διευθυντής Τμήματος Μηχανικής

Black & Decker Europe, 210 Bath Road, Slough,  
Berkshire, SL1 3YD

United Kingdom

14/12/2017

## Εγγύηση

Η Black & Decker είναι σίγουρη για την ποιότητα των  
προϊόντων της και προσφέρει στους καταναλωτές εγγύηση  
24 μηνών από την ημερομηνία αγοράς. Αυτή η εγγύηση  
συμπληρώνει και με κανένα τρόπο δεν παραβιάζει  
τα νόμιμα δικαιώματά σας. Η εγγύηση ισχύει εντός της  
επικράτειας των χωρών μελών της Ευρωπαϊκής Ένωσης και  
της Ευρωπαϊκής Ζώνης Ελεύθερων Συναλλαγών.

Για να υποβάλετε αξίωση βάσει της εγγύησης, η αξίωση θα  
πρέπει να είναι σύμφωνη με τους Όρους και προϋποθέσεις  
της Black & Decker και θα χρειαστεί να υποβάλετε απόδειξη  
αγοράς στον πωλητή ή σε εξουσιοδοτημένο αντιπρόσωπο  
επισκευών. Μπορείτε να αποκτήσετε τους Όρους και  
προϋποθέσεις της εγγύησης 2 ετών της Black & Decker και να  
μάθετε την τοποθεσία του πλησιέστερου εξουσιοδοτημένου  
αντιπροσώπου επισκευών στο Internet στο [www.2helpU.com](http://www.2helpU.com),  
ή επικοινωνώντας με το τοπικό σας γραφείο Black & Decker  
στη διεύθυνση που υποδεικνύεται στο παρόν εγχειρίδιο:

Παρακαλούμε επισκεφθείτε την ιστοσελίδα μας [www.blackanddecker.gr](http://www.blackanddecker.gr) για να καταχωρίσετε το νέο σας προϊόν  
BLACK+DECKER και για να ενημερωέστε για τα νέα  
προϊόντα και τις ειδικές προσφορές.





<b>België/Belgique/Luxembourg</b> www.blackanddecker.be enduser.be@sbdinc.com	Stanley Black & Decker Belgium BVBA Egide Walschaertsstraat 16 2800 Mechelen	Tel. NL +32 15 47 37 65 Tel. FR +32 15 47 37 66 Fax. +32 15 47 37 99
<b>Danmark</b>	Black & Decker Roskildevej 22 2620 Albertslund	kundeservice.dk@sbdinc.com www.blackanddecker.dk
<b>Deutschland</b> www.blackanddecker.de infobfge@sdbinc.com	Stanley Black & Decker Deutschland GmbH Black & Decker Str. 40, D - 65510 Idstein	Tel. 06126 21-0 Fax 06126 21-2980
<b>Ελλάδα</b> www.blackanddecker.gr greece.service@sbdinc.com	Stanley Black & Decker (ΕΛΛΑΣ) Ε.Π.Ε ΓΡΑΦΕΙΑ: Σπύριδωνος 7 & Βουλιαγμένης 166 74 Γλυφάδα - Αθήνα	Τηλ. 210-8981616 Φαξ 210-8983570
<b>SERVICE:</b>	Ημερος Τόπος 2 -Χάνι Αδάμ 193 00 Ασπρόπυργος - Αθήνα	Τηλ. Service 210-8985208 Φαξ 210-5597598
<b>España</b> www.blackanddecker.es respuesta.posventa@sbdinc.com	Stanley Black & Decker Ibérica, S.C.A. Parc de Negocis "Mas Blau" Edificio Muntadas, c/Bergadá, 1, Of. A6 08820 El Prat de Llobregat (Barcelona)	Tel. 934 797 400 Fax 934 797 419
<b>France</b> www.blackanddecker.fr	Black & Decker (France) S.A.S. 5 allée des Hêtres B.P. 30084 69579 Limonest Cédex	Tel. 04 72 20 39 20 Fax 04 72 20 39 00
<b>Helvetia</b> www.blackanddecker.ch service@rofoag.ch	ROFO AG Gewerbezone Seeblick 3213 Kleinbösingen	Tel. 026-6749393 Fax 026-6749394
<b>Italia</b> www.blackanddecker.it service.italia@sbdinc.com	Stanley Black & Decker Italia Via Energypark 6 20871 Vimercate (MB)	Tel. 039-9590200 Fax 039-9590313 Numero verde 800-213935
<b>Nederland</b> www.blackanddecker.nl enduser.nl@sbdinc.com	Stanley Black & Decker Netherlands BV Holtum Noordweg 35, 6121 RE BORN Postbus 83, 6120 AB BORN	Tel. +31 164 283 065 Fax +31 164 283 200
<b>Norge</b>	Black & Decker Postboks 4613, Nydalen 0405 Oslo	kundeservice.no@sbdinc.com www.blackanddecker.no
<b>Österreich</b> www.blackanddecker.at service.austria@sbdinc.com	Stanley Black & Decker Austria GmbH Oberlaaerstraße 248, A-1230 Wien	Tel. 01 66116-0 Fax 01 66116-614
<b>Portugal</b> www.blackanddecker.pt resposta.posvenda@sbdinc.com	Black & Decker Limited SARL Quinta da Fonte - Edifício Q55 D. Diniz Rua dos Malhães, 2 e 2A - Piso 2 Esquerdo 2770 - 071 Paço de Arcos	Tel. 214667500 Fax 214667580
<b>Suomi</b>	Black & Decker PL47 00521, Helsinki	asiakaspalvelu.fi@sbdinc.com www.blackanddecker.fi
<b>Sverige</b>	Black & Decker AB Box 94, 431 22 Mölndal	kundservice.se@sbdinc.com www.blackanddecker.se
<b>Türkiye</b> www.blackanddecker.com.tr	KALE Hırdavat ve Makina A.Ş. Deftardar Mah. Savaklar Cad. No:15 Edimekapı / Eyüp / İstanbul 34050	Tel. 0212 533 52 55 Fax. 0212 533 10 05
<b>United Kingdom &amp; Republic Of Ireland</b> www.blackanddecker.co.uk emeaservice@sbdinc.com	Black & Decker 210 Bath Road Slough, Berkshire SL1 3YD	Tel. 01753 511234 Fax 01753 512365
<b>Middle East &amp; Africa</b> www.blackanddecker.ae service.mea@sbdinc.com	Black & Decker P.O.Box - 17164 Jebel Ali Free Zone (South), Dubai, UAE	Tel. +971 4 8863030 Fax +971 4 8863333