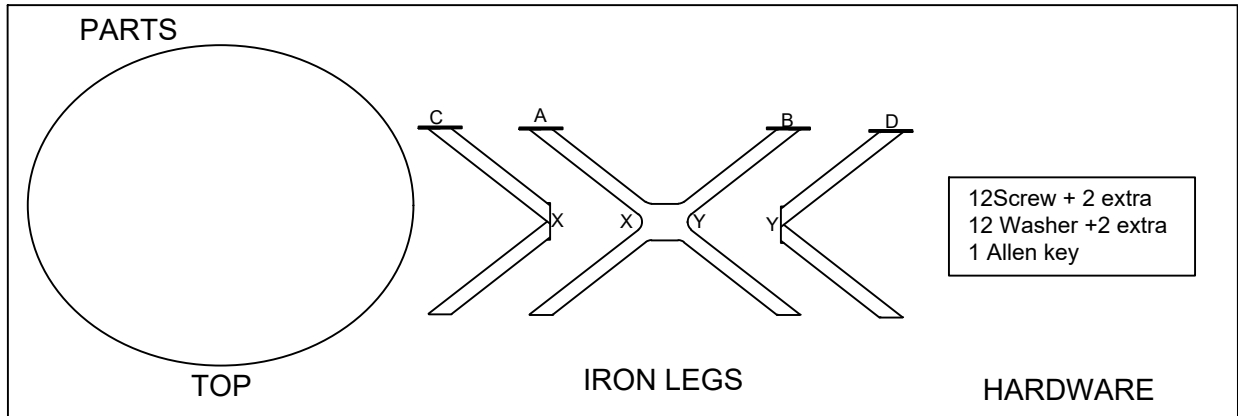
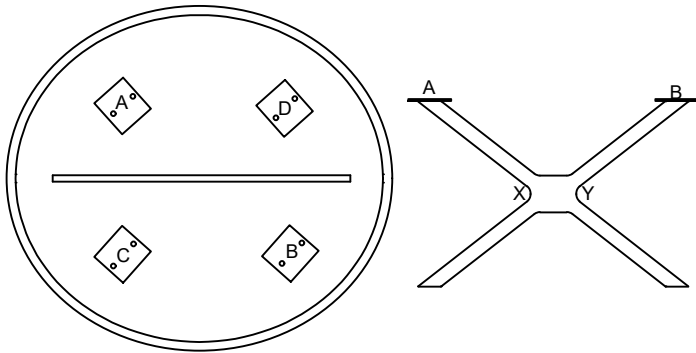


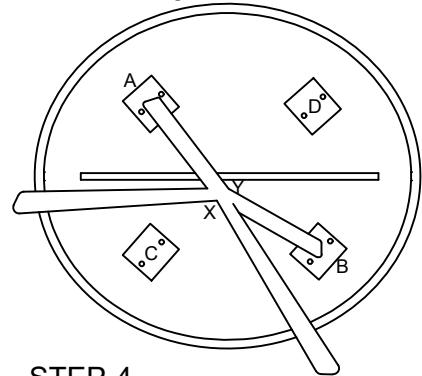
ASSEMBLY INSTRUCTION  
**ITEM CODE - VI-DT59**  
**INDUSTRIAL ROUND DINNING TABLE**



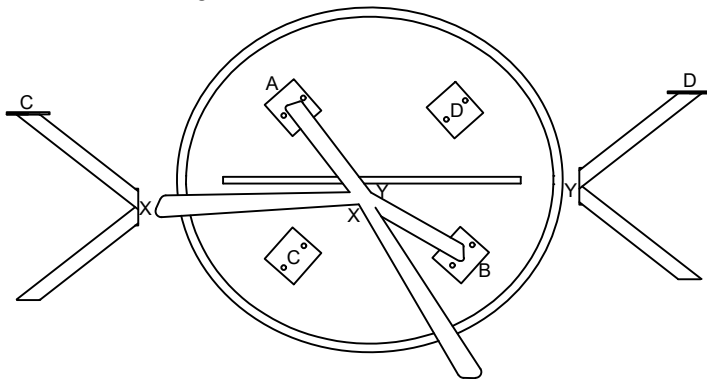
**STEP-1**  
 \*PLACE TOP UPSIDE DOWN



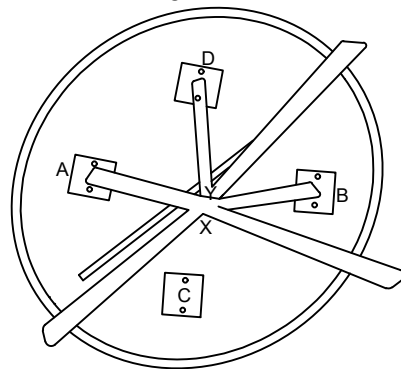
**STEP-2**  
 \*Screw leg A to A & B to B



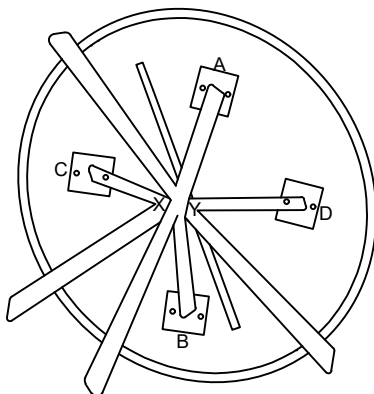
**STEP-3**  
 \*Place leg C & D



**STEP-4**  
 \*Screw leg D to D & Y to Y



**STEP-5**  
 \*Screw leg C to C & X to X



**STEP-6**

