

European Community Design Registration RCD 000929971

**TORK**<sup>®</sup>

Singlefold/  
C-Fold  
Hand Towel  
Dispenser

H3

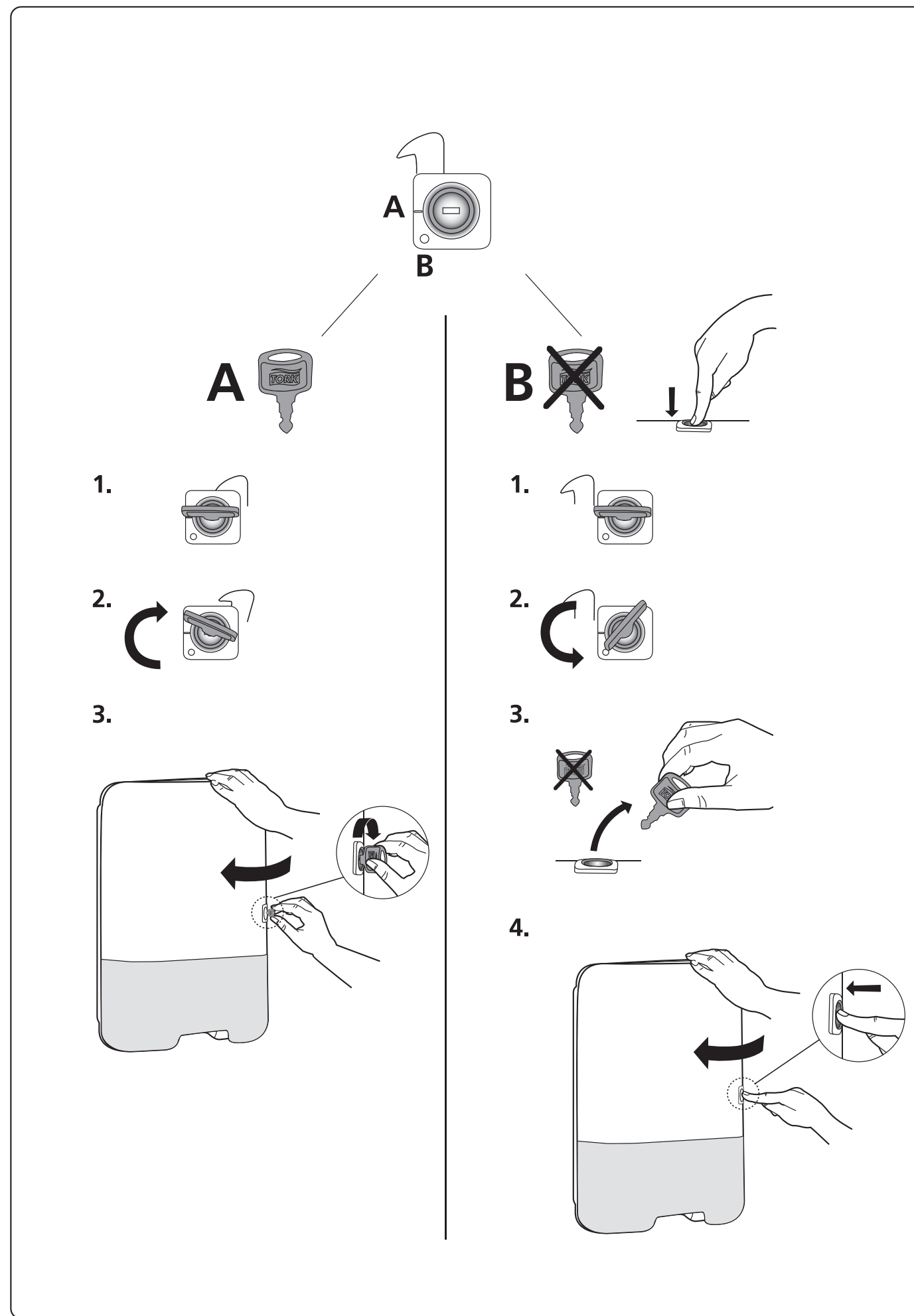
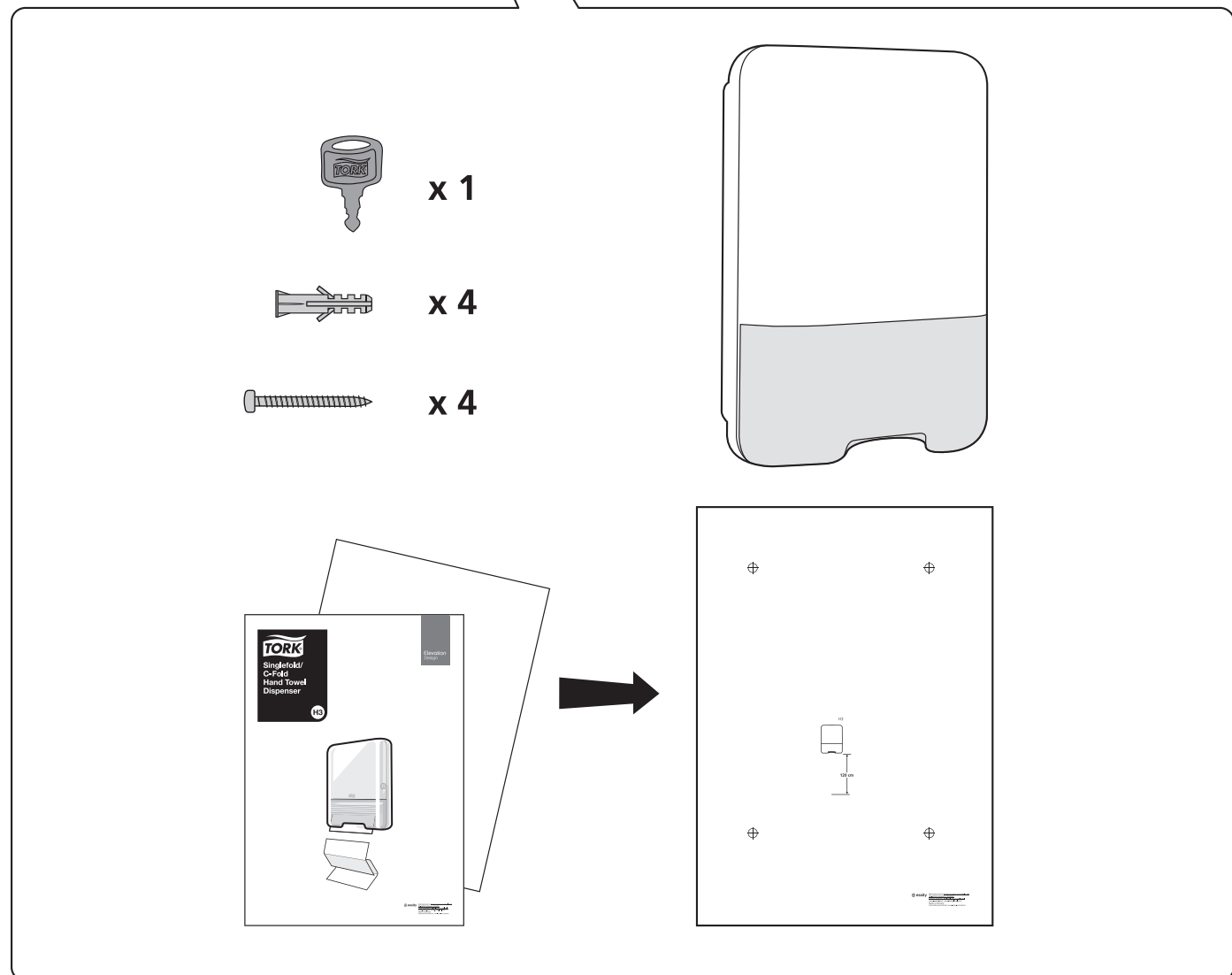
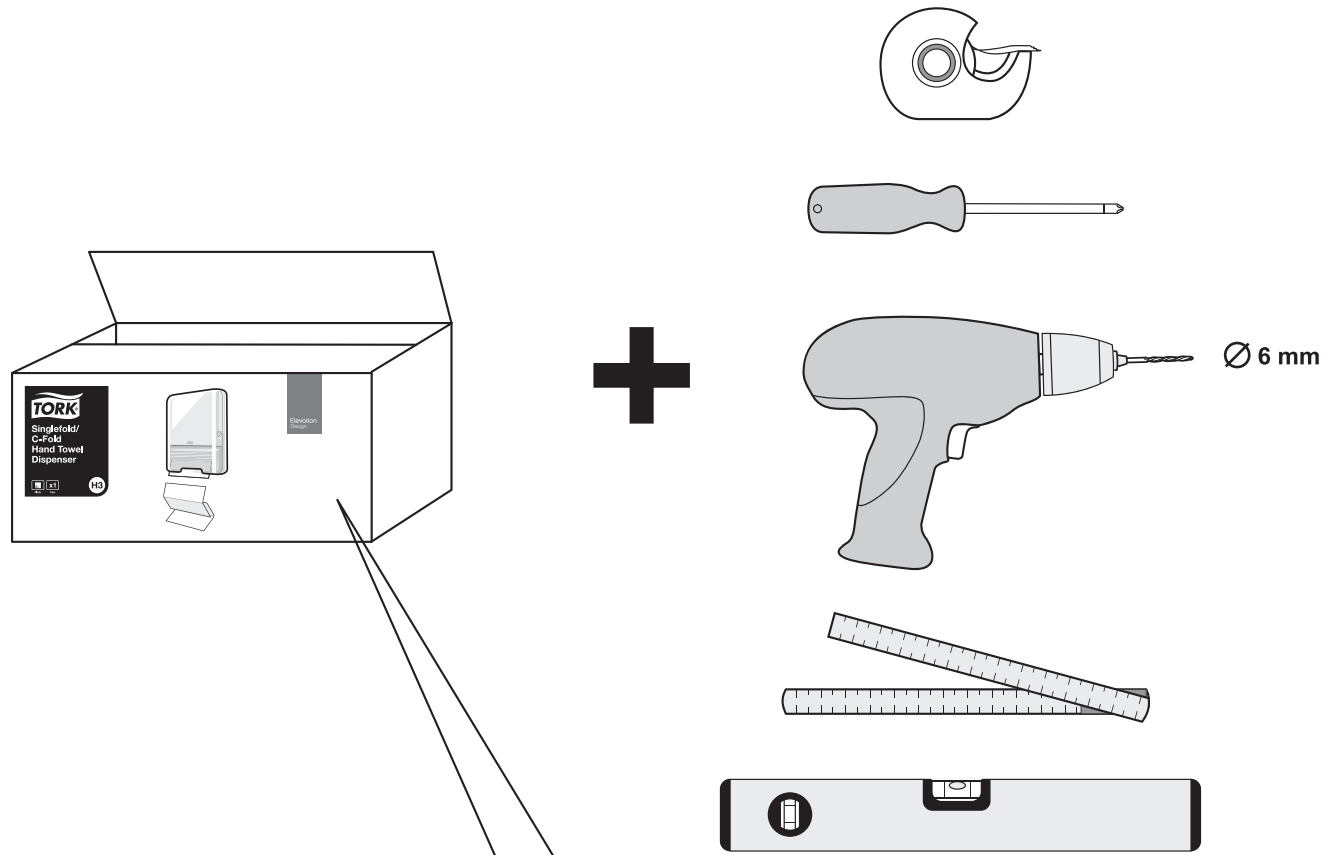
Elevation  
Design



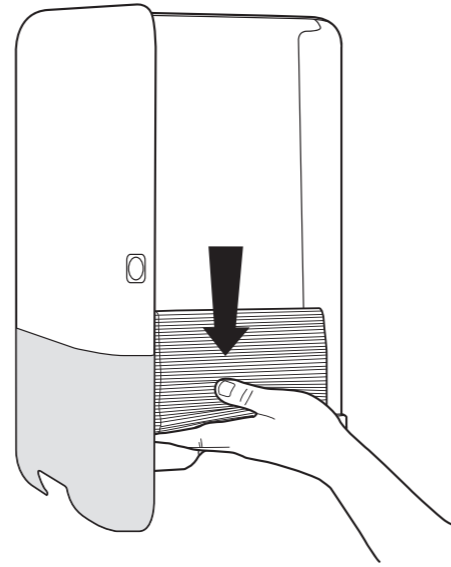
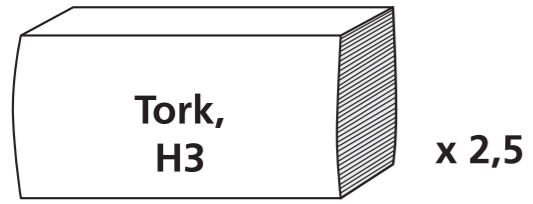
 **essity** Manufactured by Essity Hygiene and Health AB  
SE-40503 Göteborg, Sweden  
Visiting address: Mölndals Bro 2, Mölndal  
www.essity.com, www.torkglobal.com  
Made in Germany  
Patents/Brevets/Patentes: www.essity.com/patents

[www.torkglobal.com](http://www.torkglobal.com)

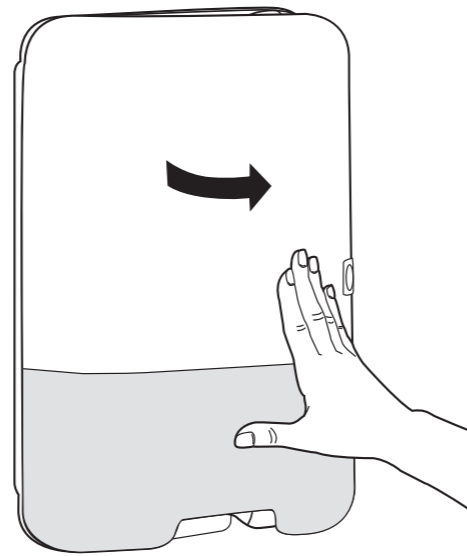
**TORK**<sup>®</sup>



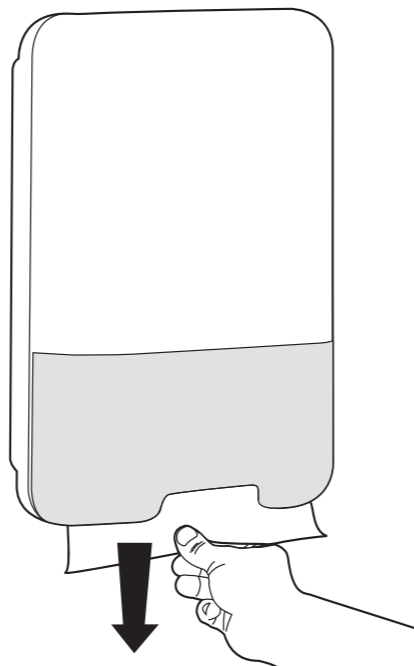
2.



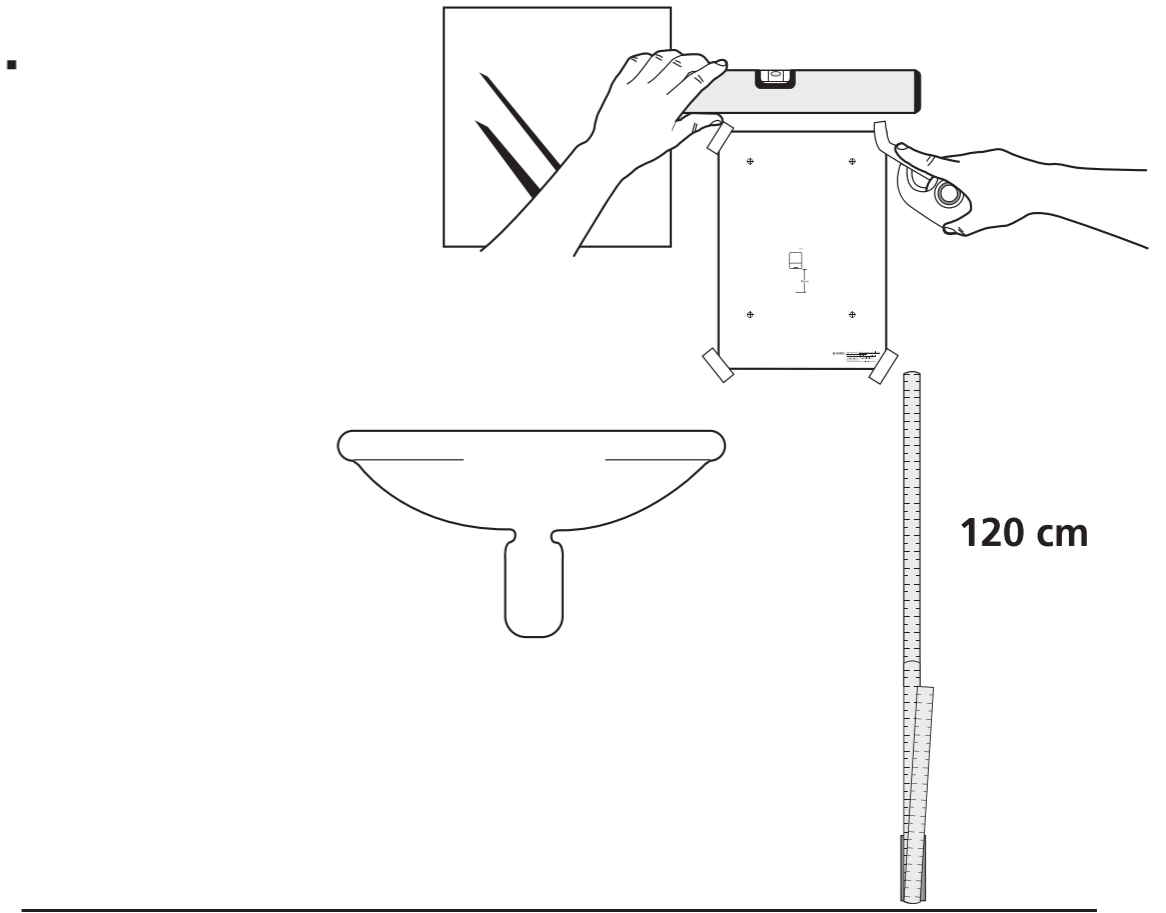
3.



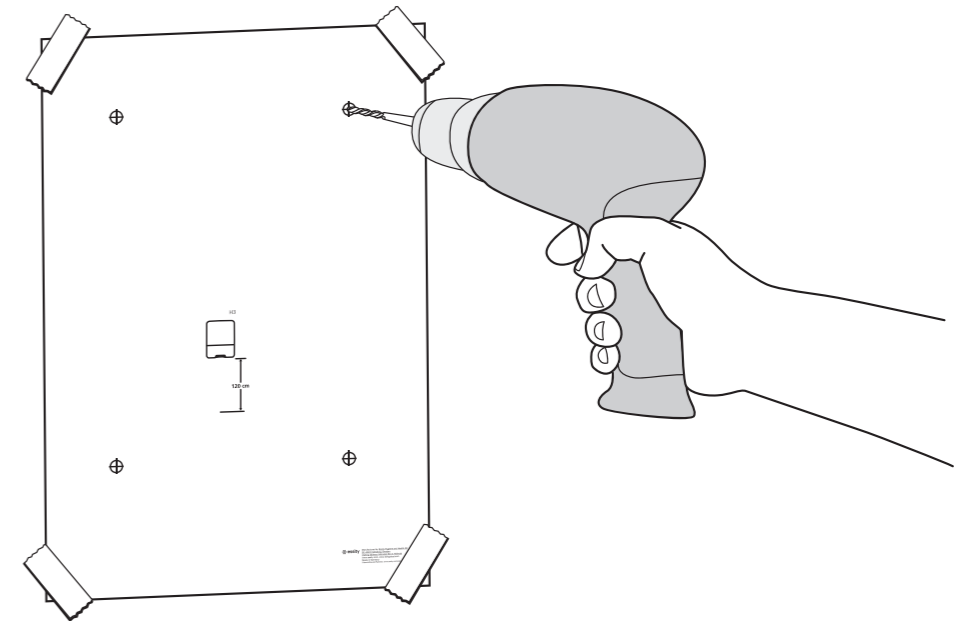
4.





1.

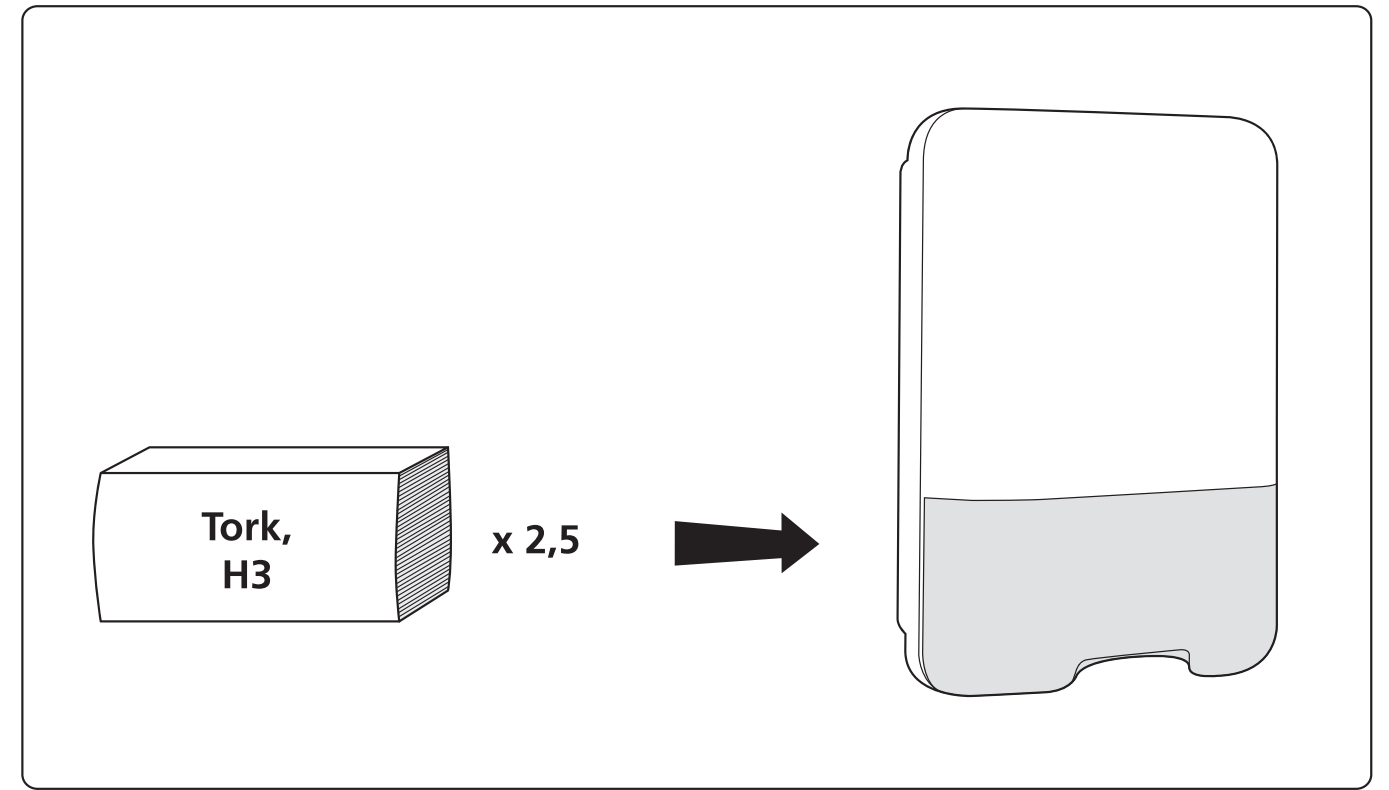
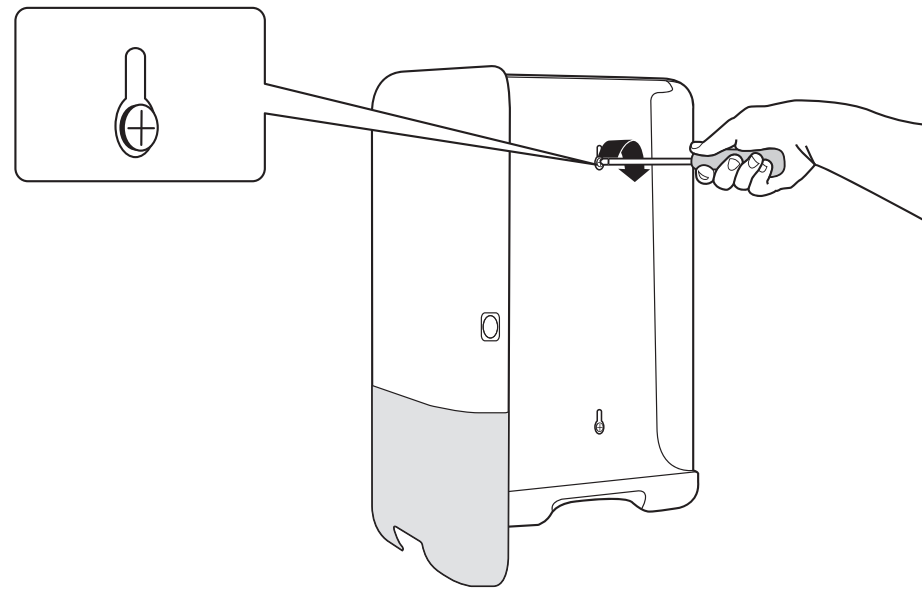


2.

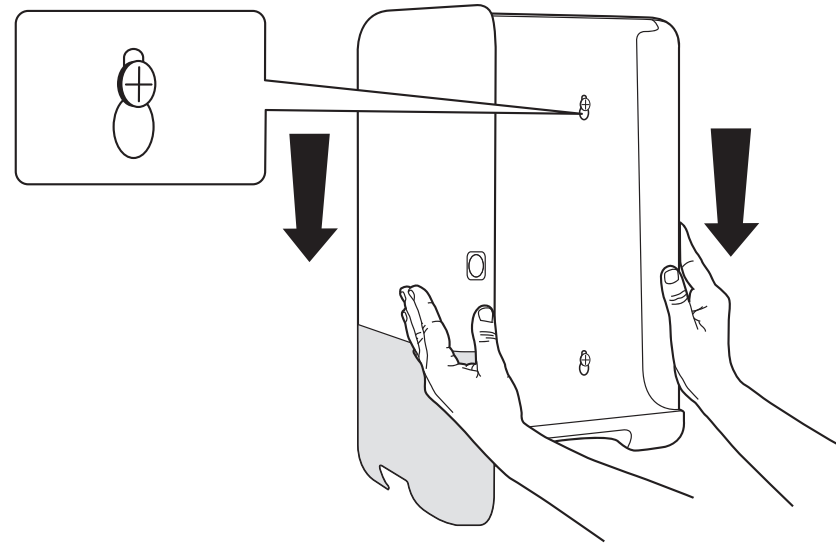


3.

 x 4  
 x 4



4.



1.

