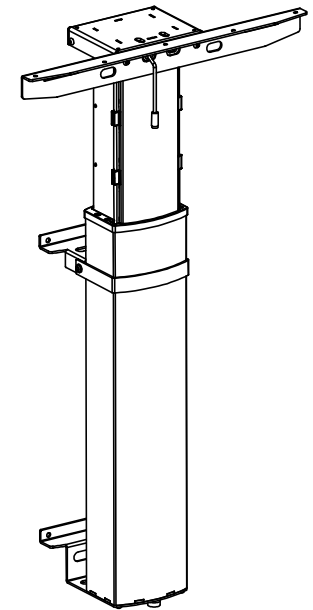
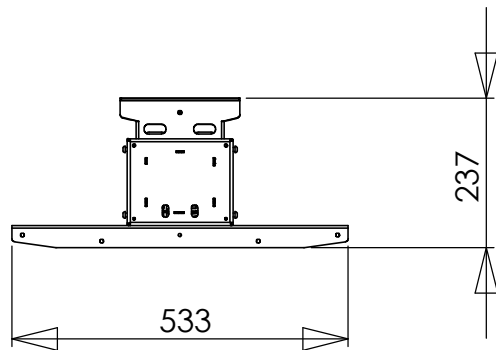
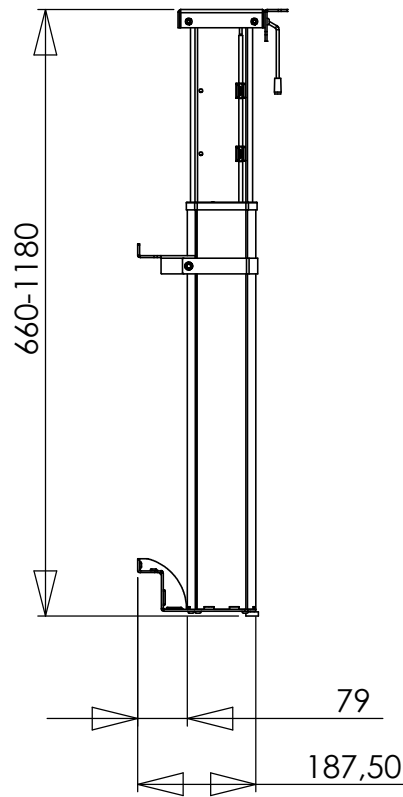
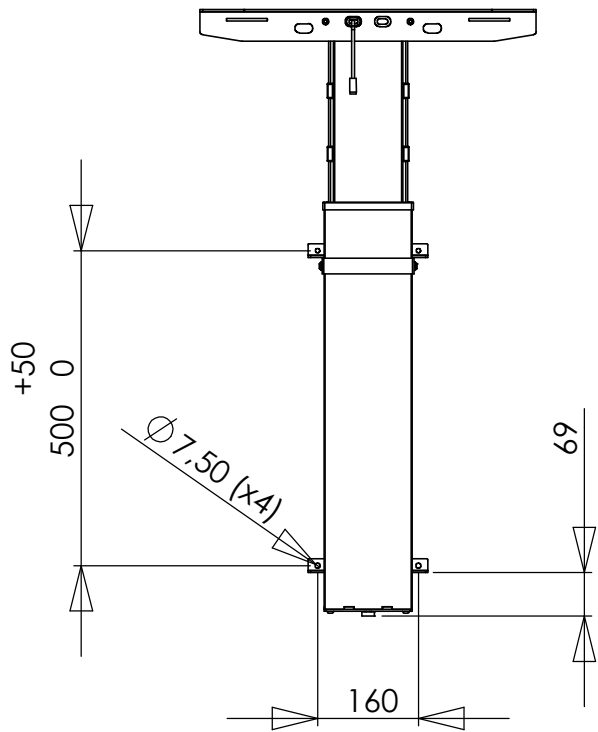



DO NOT SCALE DRAWING	SHEET 1 OF 9			ConSet A/S Staalvej 14-16 DK-6900 Skjern Denmark	
UNLESS OTHERWISE SPECIFIED: DIMENSIONS ARE IN MILLIMETERS TOLERANCES: LINEAR: According to ANGULAR: DIN 7168-m	DRAWN	NAME jo	DATE 28-10-09	TITLE: 501-19 Wall mounted	
	CHECKED	Processes: assembly		DWG NO. 110610	
PROPRIETARY AND CONFIDENTIAL THE INFORMATION CONTAINED IN THIS DRAWING IS THE SOLE PROPERTY OF CONSET A/S. ANY REPRODUCTION IN PART OR AS A WHOLE WITHOUT THE WRITTEN PERMISSION OF CONSET A/S IS PROHIBITED.	WEIGHT:		REVISION 3		



DO NOT SCALE DRAWING	SHEET 9 OF 9			ConSet A/S <small>Staalvej 14-16 DK-6900 Skjern Denmark</small>	
UNLESS OTHERWISE SPECIFIED: DIMENSIONS ARE IN MILLIMETERS TOLERANCES: LINEAR: According to ANGULAR: DIN 7168-m	DRAWN	NAME	DATE	TITLE: 501-19 Wall mounted	
	CHECKED	jo	28-10-09		
PROPRIETARY AND CONFIDENTIAL THE INFORMATION CONTAINED IN THIS DRAWING IS THE SOLE PROPERTY OF CONSET A/S. ANY REPRODUCTION IN PART OR AS A WHOLE WITHOUT THE WRITTEN PERMISSION OF CONSET A/S IS PROHIBITED.	Processes:			DWG NO. 110610	
	assembly				
WEIGHT:					