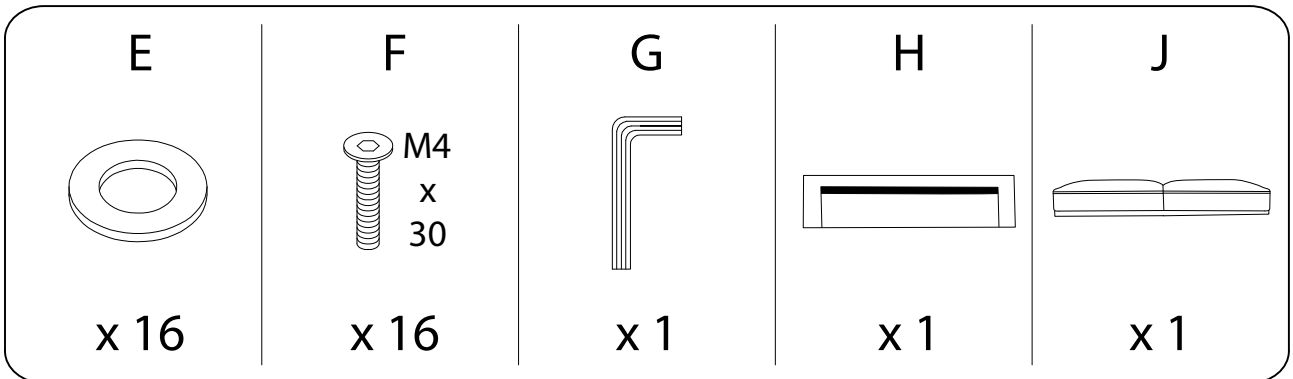
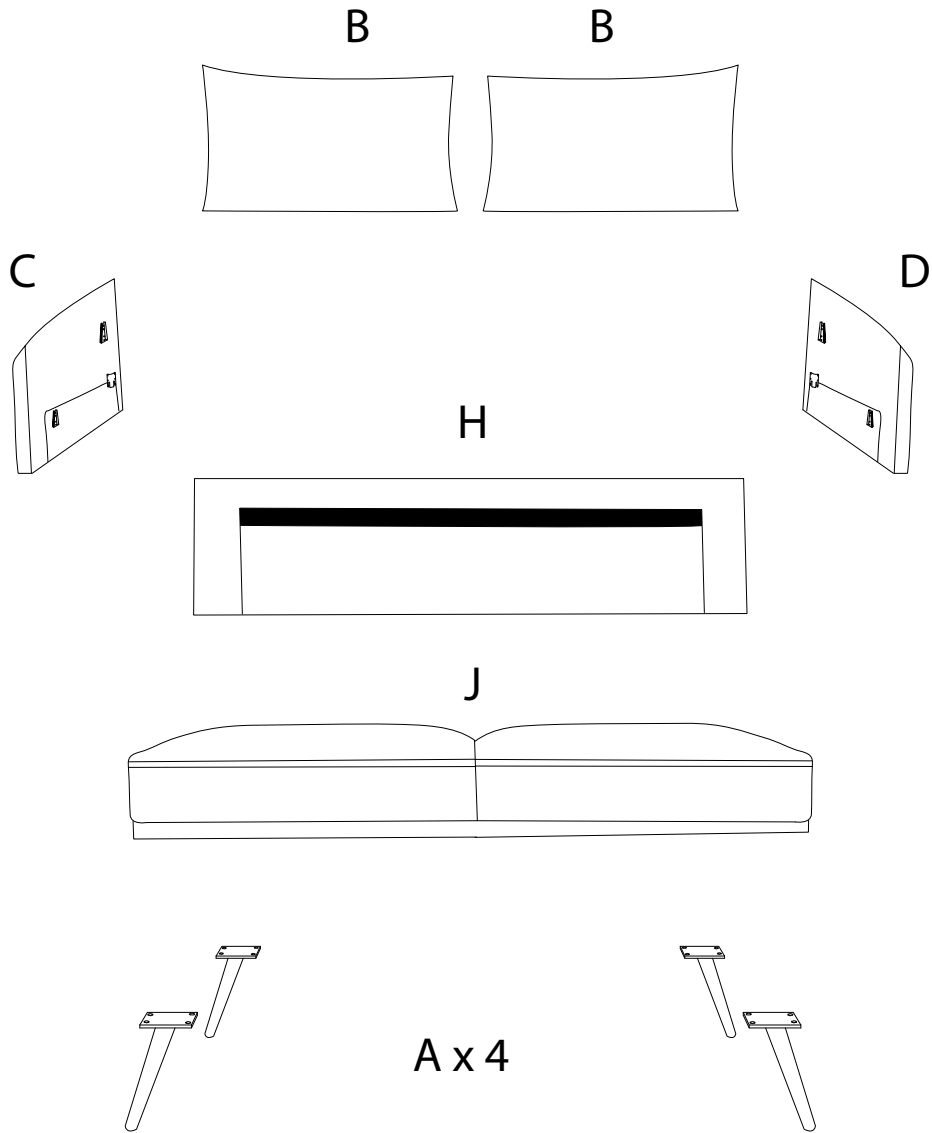
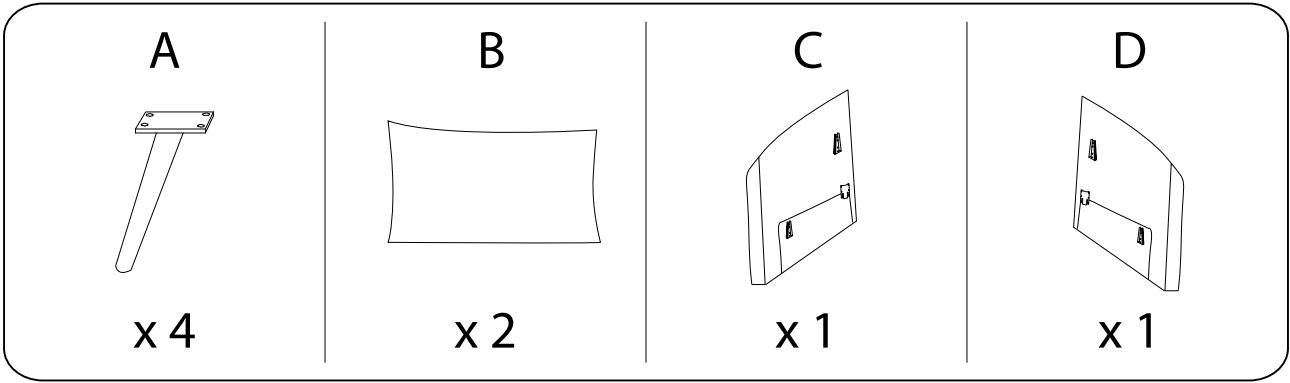
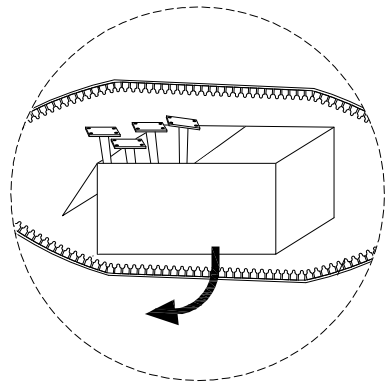
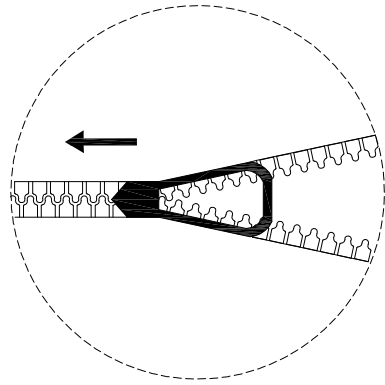
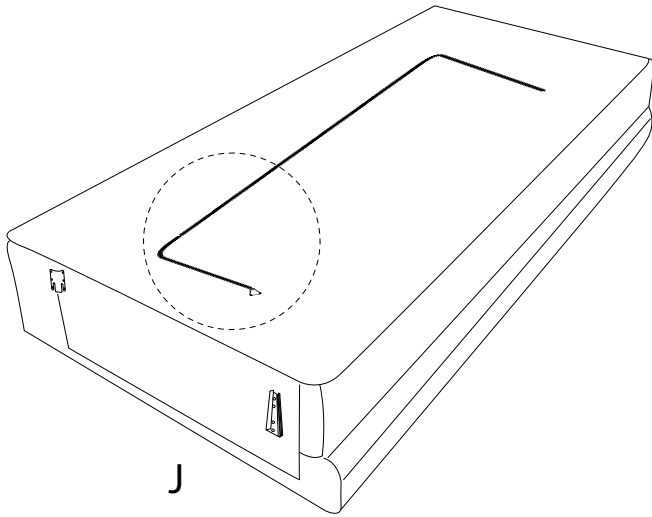


15'

1

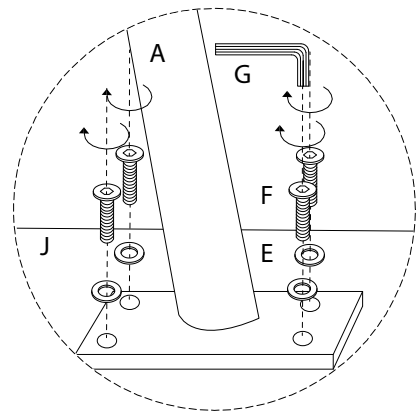
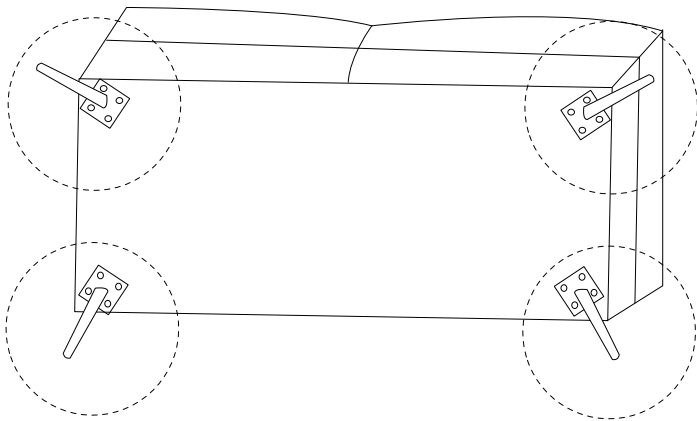


!

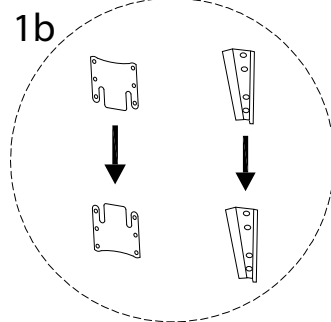
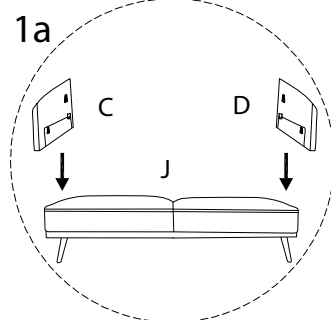
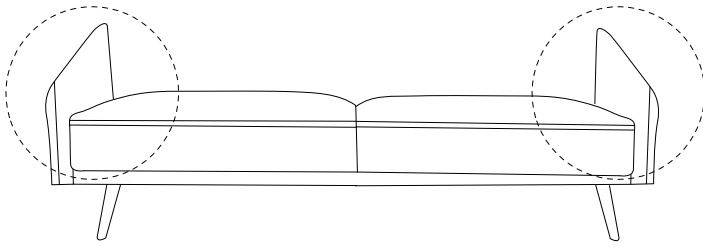
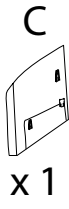


1

A x 4	E x 16	F M4 x 30 x 16	G x 1	J x 1
---------------------	----------------------	------------------------------------	---------------------	---------------------

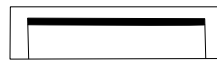


2

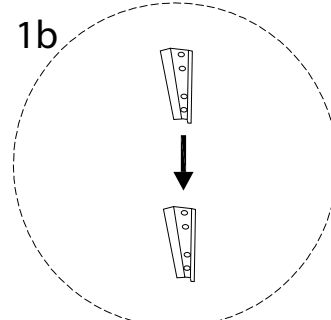
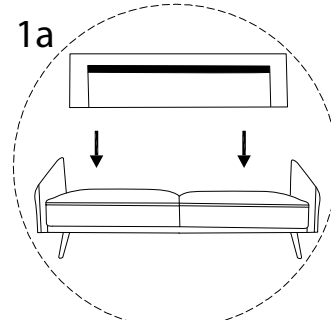
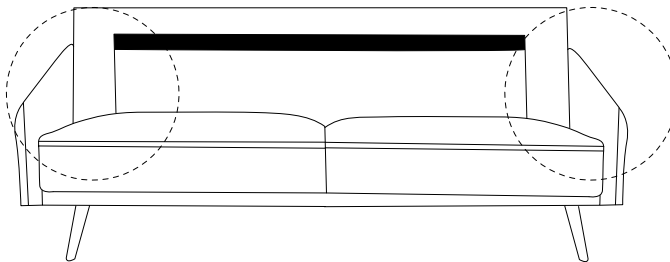


3

H



x 1



4

