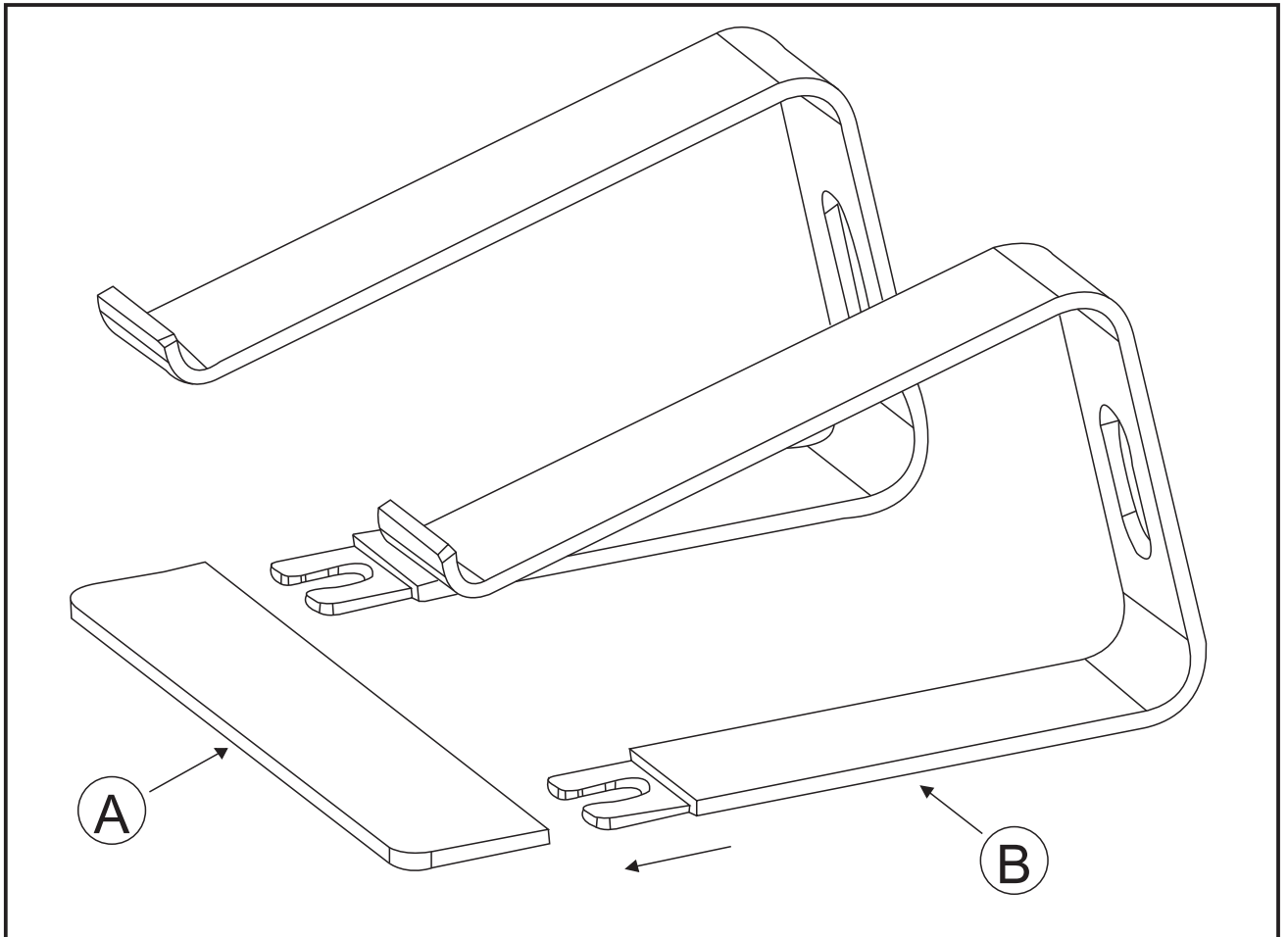


Instruction Manual



1. Insert B into A and secure them into place.
2. Packing List: A*1PC B*2PCS
3. Pictures are only for reference.
NoteBook is not included.

