









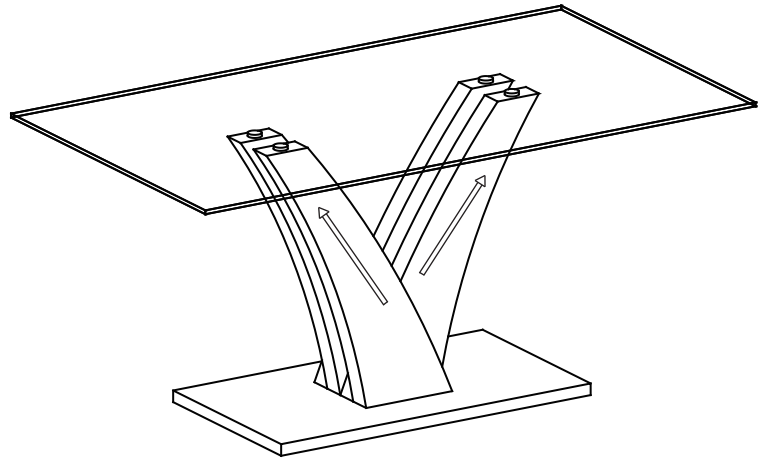
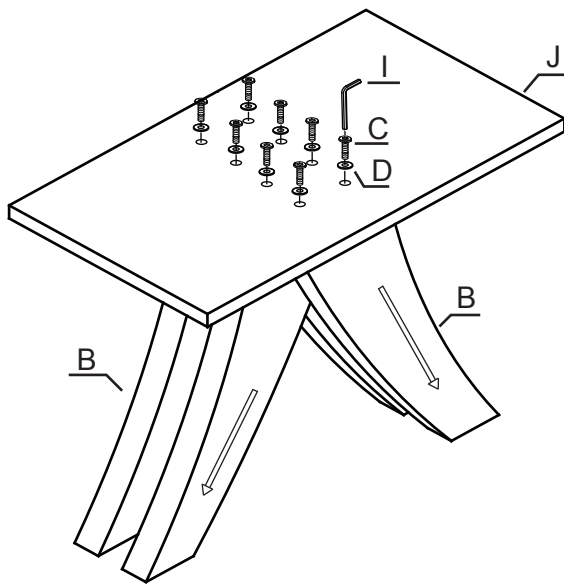


# ASSEMBLY INSTRUCTION

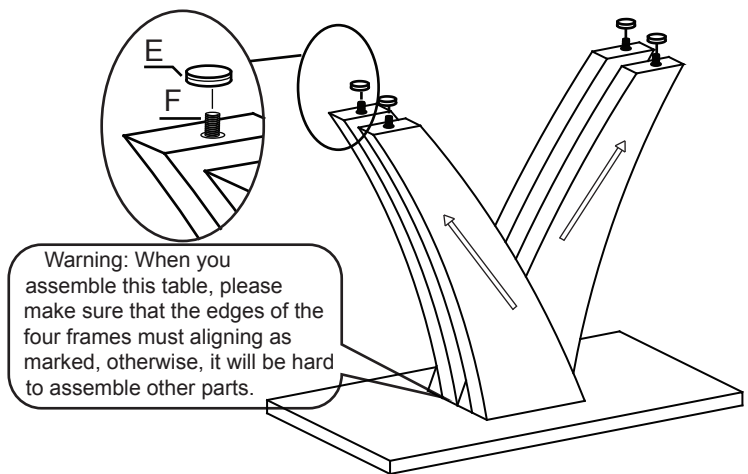
HARDWARE LIST			
NO.	PART	DESCRIPTION	Q'TY
A		glass top	1
B		leg	4
C		screw	8
D		caps	8
E		metal plate	4
F		rod	4
G		little rod	4
H		long allen key	1
I		short allen key	1
J		middle board	1



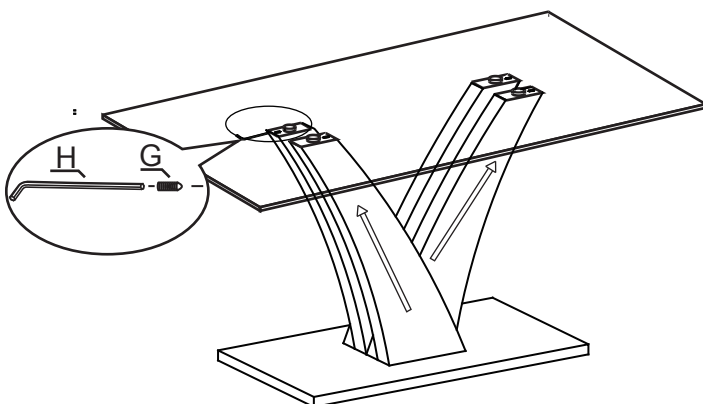
step 1



step 2



step 3



step 4

