


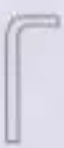


ASSEMBLING INSTRUCTION

| | |
|---|--|
| 1) x1  | (3) x4  |
| 2) x1  | (4) x1  |

