

# RUTX11

## NEXT GENERATION LTE CAT6 INDUSTRIAL CELLULAR ROUTER

The most powerful and feature-rich device within the Teltonika Networking products range. Equipped with Dual-SIM, 4 x Gigabit Ethernet ports, Dual-Band AC WiFi, Bluetooth LE and USB interfaces. RUTX11 comes with all RutOS software and security features. This device is perfect for advanced Industrial and Enterprise applications.



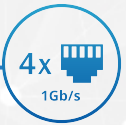
LTE Cat 6 with speeds up to 300 Mbps



Wave-2 802.11ac Dual Band WiFi with speeds up to 867 Mbps



Dual-SIM with auto Failover. Backup WAN and other SW features



Gigabit Ethernet with speeds up to 1000 Mbps



Teltonika Remote Management System compatible



Easy to use, secure and feature rich Operating System

## PROFESSIONAL

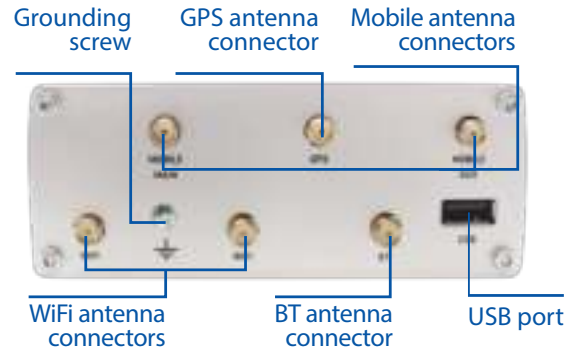
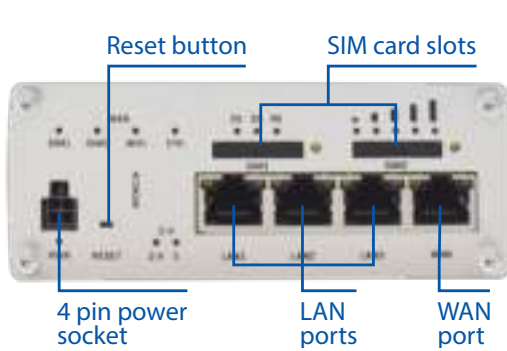
- LTE Cat 6 and AC WiFi for high data throughput
- High processing power
- Convenient router access via Remote Management System

## ROBUST

- Durable aluminium housing
- Wide voltage range (9-50 V)
- External temperature range (-40 +75 °C)

## SECURE

- Multiple VPN options
- Advanced firewall functionality
- Advanced WiFi encryption



### Hardware

Mobile	4G (LTE) – Cat 6 DL up to 300 Mbps, UL up to 50Mbps; DC-HSDPA; HSUPA; WCDMA
CPU	Quad Core ARM Cortex A7 717 MHz CPU
Memory	256 MB SPI Flash, 256 MB of DDR3 RAM
Ethernet	3 x LAN ports 10/100/1000 Mbps, 1 x WAN port (can be configured to LAN) 10/100/1000 Mbps
WiFi	802.11ac (WiFi 5) with data transmission rates up to 867 Mbps (Dual Band, MU-MIMO)
Power supply	9 - 50 VDC, 4 pin DC connector
Connectors	1 x 4 pin DC, 4 x Ethernet, 2 x SMA for LTE, 2 x WiFi RP-SMA, 1 x SMA for GNSS, 1 x RP-SMA for Bluetooth
SIM	2 x external SIM holders
Status LEDs	1 x Power, 3 x Mobile connection type, 5 x Mobile connection signal strength LEDs, 2 x WiFi band, 8 x Ethernet status, 4 x WAN type LEDs
Operating temperature	-40 °C to 75 °C
Housing	Full aluminium with grounding screw
Dimensions	115 mm x 95 mm x 44 mm

### Software

Operating system	RutOS (OpenWrt based Linux OS)
SIM switch	2 SIM cards, auto-switch cases: data limit, roaming, no network, network denied, data connection fail
Multiple PDN	Possibility to use different PDNs for multiple network access and services
Network protocols	TCP, UDP, IPv4, IPv6, ICMP, NTP, DHCP, DNS, HTTP, HTTPS, SMTP, SSL v3, TLS, ARP, PPPoE, UPNP, SSH, Telnet
Networking features	NAT, Static/Dynamic routing, Firewall, OpenVPN, IPSec, H.232 and SIP-alg protocol NAT helpers, allowing proper routing of VoIP packets
Unique networking features	VLAN, Mobile quota control, WEB Filter, Load Balancing, Network Backup, Auto Failover
Connection monitoring	Ping Reboot, Periodic Reboot, LCP and ICMP for link inspection
Authetication	Pre-shared key, digital certificates, X.509 certificates
Keep settings	Update FW without losing current configuration
Monitoring & Management	WEB UI, SSH, SMS, SNMP, JSON-RPC, FOTA, RMS
Supported languages	Busybox shell, Lua, C, C++
Development tools	SDK package with build environment provided