

Instruction Manual

Instant Heat Hot Water Dispenser

Easy Use. Perfect Stream. InstantHeat!



InstantWater
in 10 Seconds



8 HotWater
Programs



PureHealth
Technology



seeger





IMPORTANT SAFETY INSTRUCTIONS

The following precautions must always be taken in consideration before using the Instant hot water dispenser, hereinafter referred as the “device”.

- Keep the instructions safe and read carefully before use. Please also pass this manual on to someone else in case this device is given to them.
- Only use this device in accordance with the instructions in this user manual.
- This device can be used by children aged 8 and over and people with restricted physical, sensory or mental capabilities, or lack of experience and knowledge, unless they have been given supervision or instructions concerning the use of the appliance by a person responsible for their safety.
- Children must not play with the device. Cleaning and maintenance must not be done by children unless they are over the age of 8 and must be under supervision.
- This device is intended for domestic or similar use, not for professional use.

Electricity and heat

- Before use, check that the mains voltage is the same as the mains voltage stated on the rating plate of the device.
- Make sure your hands are dry before touching the device, power cord or plug.
- Plug the power plug into an electrical outlet with earthing that is easily accessible at all times.
- Check the power cord regularly for damage.
- Never use the device if the power cord shows signs of damage, if the device has fallen on the ground or shows any other signs of damage.
- Switch OFF the device and remove the power plug if you discover any faults during use, find any signs of damage, are not using the device or are cleaning it.
- Make sure that the power cord cannot be trodden on or pinched.
- Do not allow the power cord to hang over sharp edges and keep it away from hot objects and naked flames.
- When plugging in the power cord, make sure people cannot accidentally pull it out or trip over it.
- Remove the power plug from the power socket during lightning storms or if unused for long periods of time.
- Use a 10amp cable if an extension cable is required. Cables with a lower amp rating may burn out.
- When using an extension cable, make sure it is completely extended.

Use

- Do not use the device in the vicinity of flammable materials.
- Do not leave the device unattended when it is in use.
- Do not touch the waterspout or the water being dispensed when operating the device. When operating, do not touch or block the steam outlet by hand or any other means.
- Do not open the water tank lid in a rush, in order to avoid burns resulting from hot steam or any possible malfunctions.
- Do not use hands or any other body parts to feel the temperature or the steam of the device while it is being operated.
- Do not use the device to heat anything other than water.
- Do not fill the water tank of the device above the “MAX” indicator.
- Do not operate the device if the water level is below “MIN”
- Do not operate the device without water, or when the water is below the minimum water level, to avoid damaging the heating element.

- Place the device on a flat and stable surface, in a place where it cannot fall over or suddenly be knocked over, resulting in burns.
- Do not lean on the device.
- Do not operate the device upside down.
- Do not use the device into a working disinfection cabinet.
- Do not use the device in the refrigerator or freezer.
- Never move the device when it is switched ON or still warm. First switch OFF the device and only move it when it has cooled down.
- Clean the device thoroughly after use (see “cleaning and maintenance”).
- Avoid locations subject to vibrations, cold or humidity.
- Do not expose the device to direct sunlight, heat sources, excessive humidity or corrosive environments.
- Do not place the device under any mechanical stress.
- Improper use of the device could damage the product.
- Please handle the device carefully. Impacts or falls, even from a low height, can damage the device.
- Do not open the casing as this may result in electric shock.
- Do not attempt to disassemble or repair the device or modify it in any manner.
- The device must be serviced if it has been damaged in any way, i.e., if the power supply cord/plug is damaged; objects have fallen into it; it has been exposed to rain or moisture; it has been dropped or does not operate properly.
- Do not use abrasive cleaning solvents to clean the device.
- Do not use foreign objects to clean the device.
- This device can be used by children aged 8 and over and people with restricted physical, sensory or mental capacity or a lack of experience and expertise, provided they are under supervision or have been given instructions about safely using the device and are aware of the potential hazards. Children must not play with the device. Cleaning and maintenance must not be done by children unless they are over the age of 8 and under supervision.
- Only use the device indoors, in dry areas and not in the vicinity of water, other liquids or humidity.
- Do not use the device if it, the cable or power plug has fallen into water or any kind of fluid.
- Never immerse the device, cable and power plug in water or any kind of fluid.
- Do not pick up the device if it has fallen into water or any kind of fluid. Remove the plug from the power socket immediately. Do not sue the device again.
- Place the device on a flat and stable surface, in a place where it cannot fall over.
- Caution! Dispensed water is hot. Do not touch it to avoid burning yourself.
- The device is equipped with an overheating safety feature. This is activated if the temperature becomes too high. If this is the case, you must let the device cool down before it can be used again. Switch OFF the device and then remove the plug from the power socket. Allow the device to fully cool down. The device needs approximately 30 minutes to fully cool down.
- Remove the power plug from the power socket if the device is unused for long periods of time.
- When removing the plug from the power socket, pull the plug itself, not the cable.
- Do not operate the device using an external time switch or a separate remote-control system.

WARNINGS



The water dispensed from the device is hot.
Do not touch it to avoid burning yourself.



WARNING! The packaging material is not a toy and do not leave packaging lying around carelessly. This may become dangerous playing material for children. Risk of suffocation!



WARNING! Never cover the power plug or cable with cloths, curtains or any other material to prevent overheating and potential fire hazards.



WARNING! To reduce the risk of fire or electric shock, protect the device from dripping or splashing water and keep away from objects filled with liquids, such as vases. These objects should not be placed on or near the device.

PRODUCT DESCRIPTION

PACKAGE CONTENTS

- Instant hot water dispenser
- User manual
- Reset key
- Water Filter, Filter Box(optional)

INSTALLING AND USING THE DEVICE

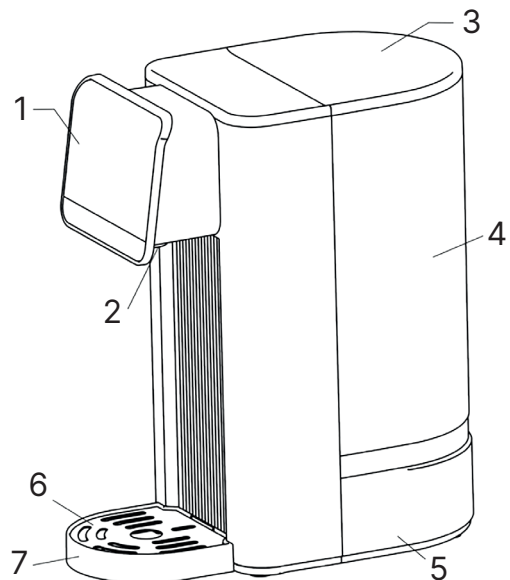
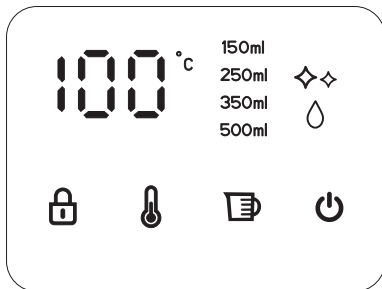
Open the packaging carefully before taking out the device.

Make sure the device is complete and undamaged.

If any components are missing or damaged, contact the vendor and do not use the product. Retain the packaging or recycle it in accordance with local regulations.

PARTS & FEATURES


1. Display
2. Water spout
3. Water tank cover
4. Water tank
5. Bottom cover
6. Drip plate
7. Drip tray




DISPLAY DETAILS

Lock button  : press and hold Lock button for 2 seconds to unlock.

If there is no keypress within 20 seconds, the panel will go to lock mode again. User can also lock the panel by pressing the Lock button.

Temperature button  : press temperature button to set desired temperature (40°C, 50°C, 60°C, 70°C, 80°C, 90°C, 100°C, or 00 (room temperature water))

Volume button  : press Volume button to set water volume (150ml, 250ml, 350ml, 500ml). Press and hold Volume button for 3 seconds, causing all volume options to light up, which means a continuous water stream will flow.

On/Off button  : press on/off button, water will flow out subsequently.


When the desired amount of water is reached, the appliance will stop working at once.

DESCALING

When the time use has reached a cumulative of 10 hours, the Descaling light ✧✧ will flash on display to remind the need of cleaning the appliance, press the Temperature button for about 3 seconds to enter the descaling procedure. You can add some citric acid or vinegar into water in a proportion of 1:100. This can help to descale the device. Moreover, please fill water in the tank until the max level and let the water dispense until the tank is empty.

After all the water from water tank is dispensed, the descaling process is completed, and the descaling light will be off again.

LACK OF WATER

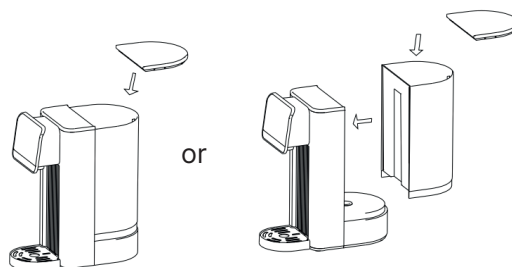
When the water in tank is less than MIN level, the E7 and Lack of water flashes  on the display to remind the need of refilling water in tank.

PREPARING FOR USE

- Remove the device and accessories from the box. Remove any stickers, protective film, or plastic from the device.
- Make sure the plug is removed from the power socket.
- Before you use the device for the first time, wipe all the removable parts with a damp cloth. Never use aggressive or abrasive cleaning materials, a scouring sponge or steel wool; this will damage the device.
- Clean the water tank before first use. Fill the water tank with clean water, remove the water from the water tank by turning over the device, dry the water tank compartment with a dry cloth. Repeat these steps \pm 3 times.
- Do not use any washing up liquids in the water tank!
- Place the device on a flat, stable surface, in a place where it cannot fall over.
- Connect the device to the mains power.
- The device is now ready for use.

INSTRUCTIONS FOR USE

- Place the device on a flat, stable surface, in a place where it cannot fall over.
- Remove the water tank cover and fill the water tank with clean water. Make sure the water tank is filled at least above the "MIN" mark and not above the "MAX" mark on the water tank. Tips: suggest to use purge water in the appliance
- Use can either fill in water by taking out the water tank or adding water directly to water tank without detaching the water tank from main unit.



- DO NOT fill in water with temperature over 40°C.
- There are holes in the tank above the "MAX" indication mark, which will release water in case of overfilling and avoid vacuum from being created in the tank compartment.
- Close the water tank by placing the water tank cover back on the water tank.
- Place your cup on the removable drip tray and make sure it aligns with the spout.
- Press and hold the Lock button to unlock the control panel.
Select the desired temperature and volume. Press On/Off button.
- After ± 5 to 10 seconds the device starts to dispense water.
User can press On/Off button to stop the operation.
- Caution: Prevent burns. Do not touch the boiled water and hot steam to prevent any burns or injuries.
- If the appliance stop to operate with beep sound, this means there is a lack of water. Please pour cool water in the water tank immediately to fill it up.
- The device can memorize the last operation method anytime. However, when disconnecting the plug, the memory will be lost and the device will be back on standard settings.
- As ambient temperature change every day, the water volume will undulate within -15% to +15%

THERMOSTAT

The device features a built-in thermostat that automatically shuts OFF the device in case of overheating or abnormal operation. If the device becomes too hot (overheating), the thermostat and fuse will activate and stop the device from working. Let it cool down for approximately 30 minutes and the fuse will reset automatically.

The device can be used again.

In case the device does not operate normally after it has cooled down, it is recommended to reset the thermostat fuse manually by pushing the reset button key in the small reset buttonhole, until you hear a click. Please use the reset button key for this action.

Reset key

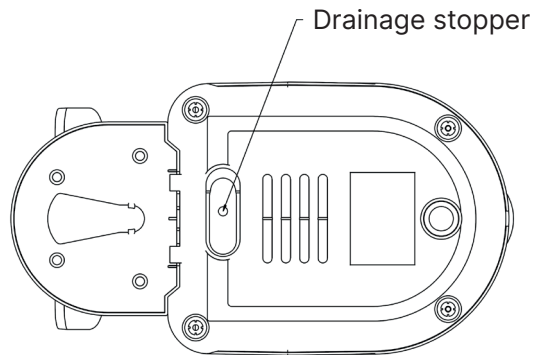


DRAINAGE STOPPER

In case the device will not be used for a long period of time, clean it and remove the wastewater.

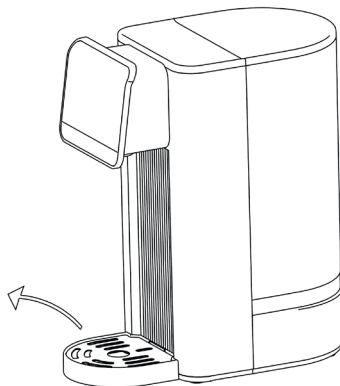
Gently pull out the drainage stopper so that the wastewater can flow out. Once all the wastewater has been removed, place the drainage stopper back by pushing it to original position and make sure it tightens well.

Note! In case of any water leakage after filling the water tank, check that the drainage stopper is properly tightened.



DRIP TRAY

When the water tray is full, to grasp and stabilize the appliance by one hand, use another hand to lift up the water tray slightly to remove it, empty the water tray and insert it into the original place with proper force.



CLEANING AND MAINTENANCE

- Remove the plug from the power socket and allow the device to fully cool down.
- Never immerse the device in water or any other liquid.
- Clean the device after each use.
- Clean the casing and insides with a damp cloth.
- Do not use any washing up liquids in the water tank!
- Never use aggressive or abrasive cleaning materials, a scouring sponge or a steel wool; these damages the device.
- Dry the device thoroughly.
- Store the device in a dry place.
- Always handle the appliance gently, do not place it near the edge of the table and the counter, to protect against the deform or function damage in case it fall down from the table accidently .
- If do not use the appliance for long, unplug and clean it, then put back into the original packing box to avoid the electrical components are humidified or damaged.

TROUBLESHOOTING

Display shows E7	Lack of water	Fill water in tank till max level
Display shows E4	Open circuit on the temperature sensor	Send the machine to local after-service center to check or replace the temperature sensor
Display show E5	Electrical short on the temperature sensor	Send the machine to local after-service center to check or replace the temperature sensor
Display show E8	Water pump has problem	Send the machine to local after-service center to check or replace the water pump
Water Leakage	Drainage stopper is loose	Tighten the drainage stopper on the bottom

STORAGE & TRANSPORTATION

- When storing the device, it should first be cleaned in accordance with this user manual. The device should be stored in its original packaging.
- Always store the device in a dry and well-ventilated room and beyond the reach of children.
- Protect the device against vibrations and shocks during transport.

TECHNICAL SPECIFICATIONS

Voltage: 220 - 240 V ~ 50/60Hz

Wattage: 2200 - 2600 Watts

Temperature setting: ambient water temperature, 40°C, 50°C, 60°C, 70°C, 80°C, 90°C, 100°C.

Volume setting: 150ml, 250ml, 350ml, 500ml, continuous flow

INSTRUCTIONS FOR THE PROTECTION OF THE ENVIROMENT

(WEEE, the waste electrical and electronic equipment directive)



Your product has been manufactured from high quality materials and components which can be recycled and used again. At the end of its life, this product can not be disposed of in normal domestic waste, but must be taken to a special collection point for the recycling of electrical and electronic equipment. The waste container marked with a cross symbol on the item, in the user manual and on the packaging informs you of this. The raw materials used are suitable for recycling.

By recycling used appliances or raw materials you are making an important contribution to the protection of our environment. You can find out the location of your nearest collection point from your local council.

EU DECLARATION OF CONFORMITY

We,

Elmarc B.V.
Kolenbranderstraat 28, 2984 At Ridderkerk,
The Netherlands

Declare under our sole responsibility that the product:

- Product Brand: SEEGER
- Product Model No: SGR1150BK
- Product Description: Instant water cooker
- Product Rating:
Input: 220 - 240 V~, 50/60Hz, Class I
Output: 2200-2600W

Following the provisions of the Directives:

- Electromagnetic Compatibility (EMC) Directive: 2014/30/EU
- Low Voltage Directive (LVD): 2014/35/EU
- Energy Related Products (ERP) Directive: 2009/125/EC
- Restriction of the use of certain Hazardous Substances in Electrical and Electronic Equipment Directive (RoHS): 2015/863 amending 2011/65/EU

And standards to which Conformity is declared:

EMC:

- EN IEC 55014-1:2017
- EN IEC 55014-2:2015
- EN IEC 61000-3-2:2019+A1:2021+A2:2024
- EN 61000-3-3:2013+A1:2019+A2:2021

LVD:

- EN 60335-1:2012+A11:2014+A13:2017+A1:2019+A14:2019+A2:2019+A15:2021+A16:2023
- EN 60335-2-15:2016+A11:2018+A1:2021+A2:2021+A12:2021
- EN 62233:2008

ERP:

- EU 2023/826

Place: The Netherlands

Date of issue: 22-08-2025

BELANGRIJKE VEILIGHEIDSINSTRUCTIES

De volgende voorzorgsmaatregelen moeten altijd in acht worden genomen voordat u de heetwaterdispenser, hierna aangeduid als het "apparaat", gebruikt:

- Bewaar de instructies zorgvuldig en lees deze aandachtig door vóór gebruik. Geef deze handleiding ook door aan iemand anders als het apparaat aan hem of haar wordt overgedragen.
- Gebruik dit apparaat uitsluitend in overeenstemming met de instructies in deze handleiding.
- Dit apparaat mag worden gebruikt door kinderen vanaf 8 jaar en door personen met beperkte fysieke, zintuiglijke of mentale vermogens, of gebrek aan ervaring en kennis, mits zij onder toezicht staan of instructies hebben ontvangen over het gebruik van het apparaat door iemand die verantwoordelijk is voor hun veiligheid.
- Kinderen mogen niet met het apparaat spelen. Reiniging en onderhoud mogen niet door kinderen worden uitgevoerd, tenzij zij ouder zijn dan 8 jaar en onder toezicht staan.
- Dit apparaat is bedoeld voor huishoudelijk of vergelijkbaar gebruik, niet voor professioneel gebruik.

Elektriciteit en warmte

- Controleer vóór gebruik of de netspanning dezelfde is als aangegeven op het typeplaatje van het apparaat.
- Zorg dat uw handen droog zijn voordat u het apparaat, het snoer of de stekker aanraakt.
- Steek de stekker in een geaard stopcontact dat altijd goed bereikbaar is.
- Controleer het snoer regelmatig op beschadigingen.
- Gebruik het apparaat nooit als het snoer beschadigd is, als het gevallen is of tekenen van schade vertoont.
- Zet het apparaat uit en trek de stekker uit het stopcontact als u tijdens gebruik defecten constateert, schade ziet, het apparaat niet gebruikt of het reinigt.
- Zorg dat het snoer niet wordt platgetrapt of bekneld raakt.
- Laat het snoer niet over scherpe randen hangen en houd het uit de buurt van hete voorwerpen en open vuur.
- Zorg dat niemand per ongeluk over het snoer kan struikelen of eraan kan trekken.
- Haal de stekker uit het stopcontact tijdens onweer of wanneer het apparaat langere tijd niet wordt gebruikt.
- Gebruik een verlengsnoer van minimaal 10 ampère indien nodig. Kabels met een lagere waarde kunnen doorbranden.
- Zorg dat een verlengsnoer altijd volledig is afgerold.

Gebruik

- Gebruik het apparaat niet in de nabijheid van brandbare materialen.
- Laat het apparaat nooit onbeheerd achter tijdens gebruik.
- Raak de wateruitloop of het uitgestroomde hete water niet aan tijdens gebruik.
- Raak of blokkeer de stoomuitlaat nooit met de hand of enig ander middel.
- Open het deksel van het waterreservoir niet gehaast, om verbranding door hete stoom of stringen te voorkomen.
- Gebruik geen handen of lichaamsdelen om de temperatuur of de stoom van het apparaat te voelen.
- Gebruik het apparaat uitsluitend om water te verwarmen.
- Vul het waterreservoir niet boven de "MAX"-markering.
- Gebruik het apparaat niet als het waterniveau onder "MIN" staat.

- Gebruik het apparaat niet zonder water of onder het minimum waterniveau, om schade aan het verwarmingselement te voorkomen.
- Plaats het apparaat altijd op een vlakke, stabiele ondergrond waar het niet kan omvallen of stoten.
- Leun niet op het apparaat.
- Gebruik het apparaat niet ondersteboven.
- Plaats het apparaat niet in een werkende desinfectiekast.
- Plaats het apparaat niet in de koelkast of vriezer.
- Verplaats het apparaat nooit terwijl het aan staat of nog warm is. Schakel het eerst uit en verplaats het pas nadat het volledig is afgekoeld.
- Reinig het apparaat grondig na gebruik (zie hoofdstuk "Reiniging en onderhoud").
- Vermijd plaatsens met trillingen, koude of vocht.
- Stel het apparaat niet bloot aan direct zonlicht, warmtebronnen, overmatige vochtigheid of corrosieve omgevingen.
- Zet het apparaat niet onder mechanische druk.
- Onjuist gebruik kan het product beschadigen.
- Behandel het apparaat voorzichtig. Schokken of vallen, zelfs vanaf een lage hoogte, kunnen het apparaat beschadigen.
- Open de behuizing nooit; dit kan leiden tot een elektrische schok.
- Probeer het apparaat niet zelf te demonteren, repareren of wijzigen.
- Laat het apparaat altijd repareren als het op enige wijze beschadigd is, bijvoorbeeld als het snoer of de stekker defect is, er voorwerpen in zijn gevallen, het is blootgesteld aan vocht, het is gevallen of niet correct functioneert.
- Gebruik geen agressieve schoonmaakmiddelen om het apparaat te reinigen.
- Gebruik geen vreemde voorwerpen om het apparaat schoon te maken.
- Dit apparaat kan worden gebruikt door kinderen vanaf 8 jaar en door personen met beperkte fysieke, zintuiglijke of mentale vermogens of gebrek aan ervaring en kennis, mits zij onder toezicht staan of instructies hebben ontvangen en op de hoogte zijn van de gevaren. Kinderen mogen niet met het apparaat spelen. Reiniging en onderhoud mogen niet door kinderen worden uitgevoerd, tenzij zij ouder zijn dan 8 jaar en onder toezicht staan.
- Gebruik het apparaat uitsluitend binnenshuis, in droge ruimtes en niet in de nabijheid van water, vloeistoffen of vocht.
- Gebruik het apparaat niet als het, het snoer of de stekker in water of een andere vloeistof is gevallen.
- Dompel het apparaat, het snoer en de stekker nooit onder in water of andere vloeistoffen.
- Raap het apparaat niet op als het in water of vloeistof is gevallen. Trek onmiddellijk de stekker uit het stopcontact en gebruik het apparaat daarna nooit meer.
- Plaats het apparaat altijd op een vlakke, stabiele ondergrond, waar het niet kan omvallen.
- Let op! Het uitgestroomde water is heet. Raak het niet aan om brandwonden te voorkomen.
- Het apparaat is uitgerust met een beveiliging tegen oververhitting. Deze wordt geactiveerd als de temperatuur te hoog oploopt. Laat het apparaat in dat geval volledig afkoelen voordat u het opnieuw gebruikt. Schakel het apparaat uit, trek de stekker uit het stopcontact en wacht tot het volledig is afgekoeld (ongeveer 30 minuten).

- Trek de stekker uit het stopcontact als het apparaat langere tijd niet wordt gebruikt.
- Trek altijd aan de stekker zelf en niet aan het snoer bij het losmaken uit het stopcontact.
- Gebruik het apparaat niet met een externe tijdschakelaar of een apart afstandsbedieningssysteem.

WAARSCHUWINGEN



Het water dat uit het apparaat komt is heet.
Raak het niet aan om brandwonden te voorkomen.



WAARSCHUWING! Het verpakkingsmateriaal is geen speelgoed. Laat de verpakking niet achteloos rondslingeren. Dit kan gevaarlijk speelgoed voor kinderen worden. Verstikkingsgevaar!



WAARSCHUWING! Bedek nooit de stekker of de kabel met doeken, gordijnen of enig ander materiaal om oververhitting en mogelijk brandgevaar te voorkomen.



WAARSCHUWING! Om het risico op brand of elektrische schokken te verkleinen, bescherm het apparaat tegen druppelend of opspattend water en houd het uit de buurt van voorwerpen die met vloeistof gevuld zijn, zoals vazen. Deze voorwerpen mogen niet op of in de nabijheid van het apparaat worden geplaatst.

PRODUCTBESCHRIJVING

INHOUD VAN DE VERPAKKING

- Instant heetwaterdispenser
- Gebruiksaanwijzing
- Reset-sleutel
- Waterfilter, filterdoos (optioneel)

INSTALLEREN EN GEBRUIKEN VAN HET APPARAAT

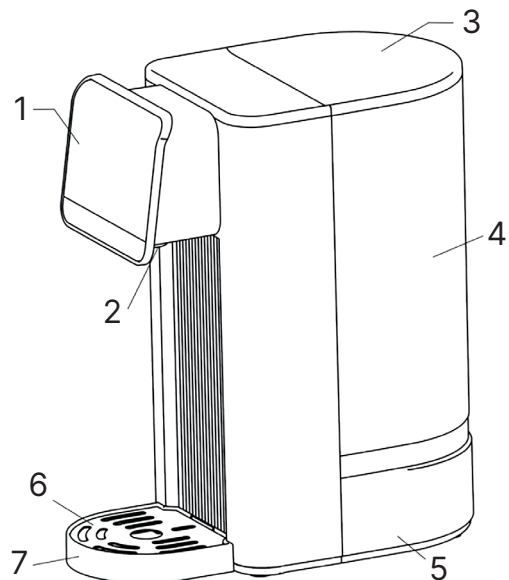
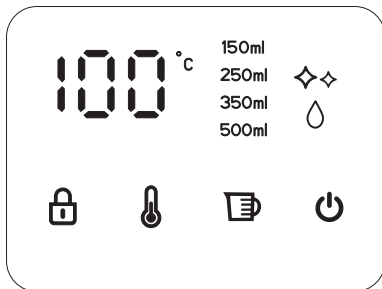
Open de verpakking voorzichtig voordat u het apparaat eruit haalt.

Controleer of het apparaat compleet en onbeschadigd is.

Als er onderdelen ontbreken of beschadigd zijn, neem dan contact op met de verkoper en gebruik het product niet. Bewaar de verpakking of lever deze in voor recycling volgens de plaatselijke voorschriften.

ONDERDELEN & FUNCTIES


1. Display
2. Uitloop
3. Deksel van het waterreservoir
4. Waterreservoir
5. Bodemplaat
6. Druppelplaat
7. Lekbak




DISPLAYDETAILS


Vergrendelknop : houd de vergrendelknop 2 seconden ingedrukt om te ontgrendelen.

Als er binnen 10–15 seconden geen toets wordt ingedrukt, gaat het paneel automatisch terug naar de vergrendelmodus. De gebruiker kan het paneel ook vergrendelen door opnieuw op de vergrendelknop te drukken.

Temperatuurknop : druk op de temperatuurknop om de gewenste temperatuur in te stellen (40°C, 50°C, 60°C, 70°C, 80°C, 90°C, 100°C of 00 (water op kamertemperatuur)).

Volumeknop : druk op de volumeknop om het gewenste volume water in te stellen (150 ml, 250 ml, 350 ml, 500 ml).


Houd de volumeknop 3 seconden ingedrukt, waardoor alle volume-opties oplichten. Dit betekent dat er een continue waterstroom zal lopen.

Aan/Uit-knop : Druk op de aan/uit-knop; het water zal vervolgens beginnen te stromen. Wanneer de gewenste hoeveelheid water is bereikt, stopt het apparaat onmiddellijk met werken.

ONTKALKEN

Wanneer de gebruiksduur een totaal van 10 uur heeft bereikt, zal het ontkalkingslampje ✧✧ op het display knipperen om eraan te herinneren dat het apparaat moet worden gereinigd. Houd de temperatuurknop ongeveer 3 seconden ingedrukt om de ontkalkingsprocedure te starten. U kunt wat citroenzuur of azijn aan het water toevoegen in een verhouding van 1:100. Dit helpt om het apparaat te ontkalken. Vul bovendien het reservoir met water tot het maximale niveau en laat water lopen totdat het reservoir leeg is. Wanneer al het water uit het reservoir is afgevoerd, is het ontkalkingsproces voltooid en gaat het ontkalkingslampje uit.

WATERTEKORT

Wanneer het waterniveau in het reservoir onder het MIN-niveau komt, verschijnen E7 en het knipperende pictogram Lack of water  op het display als herinnering om water bij te vullen.

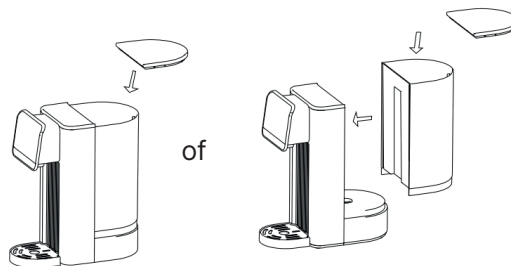
VOORBEREIDING VOOR GEBRUIK

- Haal het apparaat en de accessoires uit de doos. Verwijder alle stickers, beschermfolie of plastic van het apparaat.
- Zorg ervoor dat de stekker uit het stopcontact is verwijderd.
- Veeg vóór het eerste gebruik alle losse onderdelen af met een vochtige doek. Gebruik nooit agressieve of schurende schoonmaakmiddelen, schuursponsjes of staalwol; dit kan het apparaat beschadigen.
- Reinig het waterreservoir vóór het eerste gebruik. Vul het reservoir met schoon water, giet het water uit door het apparaat om te keren en droog het compartiment van het waterreservoir af met een droge doek. Herhaal deze stappen ongeveer 3 keer.
- Gebruik geen afwasmiddelen in het waterreservoir!
- Plaats het apparaat op een vlakke, stabiele ondergrond, waar het niet kan omvallen.
- Sluit het apparaat aan op het lichtnet.
- Het apparaat is nu klaar voor gebruik.

GEBRUIKSAANWIJZING

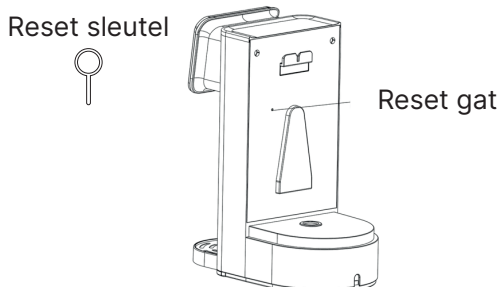
- Plaats het apparaat op een vlakke, stabiele ondergrond, op een plek waar het niet kan omvallen.
- Verwijder het deksel van het waterreservoir en vul het reservoir met schoon water. Zorg dat het waterpeil altijd boven de markering "MIN" en niet boven de markering "MAX" staat.
Tip: gebruik bij voorkeur spoelwater in het apparaat.
- VUL GEEN water in met een temperatuur boven 40°C.
- Er bevinden zich openingen in het reservoir boven de "MAX"-markering, die bij overvulling water laten weglopen en voorkomen dat er vacuüm ontstaat in het reservoir.
- Sluit het waterreservoir door het deksel weer terug te plaatsen.
- Plaats uw kopje op het verwijderbare lekbakje en zorg dat dit goed onder de uitloop staat.

- Houd de vergrendelknop ingedrukt om het bedieningspaneel te ontgrendelen. Selecteer de gewenste temperatuur en het gewenste volume. Druk vervolgens op de Aan/Uit-knop.
- Na \pm 5 tot 10 seconden begint het apparaat water te doseren. De gebruiker kan de Aan/Uit-knop indrukken om de werking te stoppen.
- Let op: Voorkom brandwonden. Raak het gekookte water en de hete stoom niet aan om verbrandingen of verwondingen te voorkomen.
- Als het apparaat stopt met werken en een pieptoon geeft, betekent dit dat er te weinig water is. Giet onmiddellijk koel water in het waterreservoir om het bij te vullen.
- Het apparaat kan altijd de laatste bedieningsmethode onthouden. Wanneer echter de stekker wordt losgekoppeld, gaat het geheugen verloren en keert het apparaat terug naar de standaardinstellingen.
- Omdat de omgevingstemperatuur dagelijks verandert, kan het watervolume variëren tussen -15% en $+15\%$.
- U kunt het reservoir vullen door het eruit te nemen of rechtstreeks water bij te vullen zonder het reservoir uit de hoofdeenheid te halen.



THERMOSTAAT

Het apparaat is uitgerust met een ingebouwde thermostaat die het apparaat automatisch uitschakelt in geval van oververhitting of abnormale werking. Als het apparaat te heet wordt (oververhitting), schakelen de thermostaat en de zekering in en stopt het apparaat met werken. Laat het ongeveer 30 minuten afkoelen; de zekering wordt daarna automatisch gereset. Het apparaat kan dan opnieuw worden gebruikt. Indien het apparaat na afkoeling niet normaal werkt, wordt aangeraden om de thermostaatzekering handmatig te resetten door met de resetsleutel in het kleine resetgat te drukken totdat u een klik hoort. Gebruik hiervoor de resetsleutel.



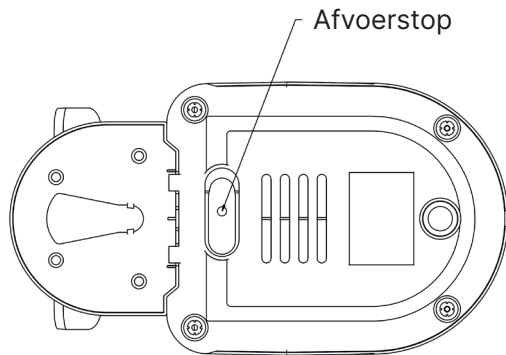
AFVOERSTOP

Wanneer het apparaat gedurende langere tijd niet wordt gebruikt, reinig het dan en verwijder het afvalwater.

Trek de afvoerstop voorzichtig los zodat het afvalwater kan weglopen.

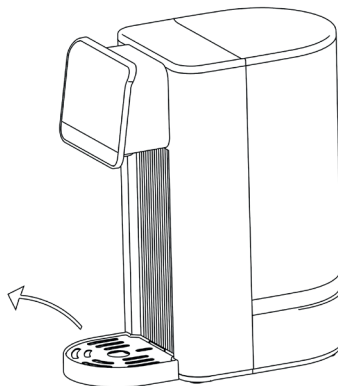
Zodra al het afvalwater is verwijderd, plaatst u de afvoerstop terug in de oorspronkelijke positie en zorg dat deze goed vastzit.

Let op! Indien er water lekt na het vullen van het reservoir, controleer dan of de afvoerstop correct is vastgedraaid.



LEKBAK

Wanneer de lekbak vol is, houd het apparaat met één hand stevig vast en til met de andere hand de lekbak lichtjes op om deze te verwijderen. Leeg de lekbak en plaats deze met lichte druk terug in de oorspronkelijke positie.



REINIGING EN ONDERHOUD

- Trek de stekker uit het stopcontact en laat het apparaat volledig afkoelen.
- Dompel het apparaat nooit onder in water of een andere vloeistof.
- Reinig het apparaat na elk gebruik.
- Maak de behuizing en binnenkant schoon met een vochtige doek.
- Gebruik geen afwasmiddel in het waterreservoir!
- Gebruik nooit agressieve of schurende schoonmaakmiddelen, schuursponsjes of staalwol; dit beschadigt het apparaat.
- Droog het apparaat grondig.
- Bewaar het apparaat op een droge plaats.
- Behandel het apparaat altijd voorzichtig; plaats het niet aan de rand van een tafel of aanrecht om schade door vallen te voorkomen.
- Indien u het apparaat lange tijd niet gebruikt, haal de stekker eruit, reinig het en plaats het terug in de originele verpakking om te voorkomen dat de elektrische onderdelen vochtig worden of beschadigd raken.

PROBLEEMOPLOSSING

Display toont E7	Waterniveau laag	Vul het waterreservoir tot het maximale niveau
Display toont E4	Open circuit van de temperatuursensor	Breng het apparaat naar het plaatselijke servicecentrum voor controle of vervanging van de temperatuursensor
Display toont E5	Elektrische kortsluiting van de temperatuursensor	Breng het apparaat naar het plaatselijke servicecentrum voor controle of vervanging van de temperatuursensor
Display toont E8	Probleem met de waterpomp	Breng het apparaat naar het plaatselijke servicecentrum voor controle of vervanging van de waterpomp
Waterlekkage	Afvoerstop is losgeraakt	Draai de afvoerstop aan de onderkant goed vast

OPSLAG & TRANSPORT

- Wanneer het apparaat wordt opgeslagen, moet het eerst worden gereinigd volgens deze gebruiksaanwijzing. Het apparaat dient in de originele verpakking te worden bewaard.
- Bewaar het apparaat altijd in een droge en goed geventileerde ruimte, buiten het bereik van kinderen.
- Bescherm het apparaat tegen trillingen en schokken tijdens transport.

TECHNISCHE SPECIFICATIES

Spanning: 220 - 240 V ~ 50/60Hz

Vermogen: 2200 - 2600 Watt

Temperatuurinstellingen: omgevingstemperatuur, 40°C, 50°C, 60°C, 70°C, 80°C, 90°C, 100°C.

Volume-instellingen: 150 ml, 250 ml, 350 ml, 500 ml, continue afgifte

INSTRUCTIONS FOR THE PROTECTION OF THE ENVIROMENT

(WEEE, the waste electrical and electronic equipment directive)



Your product has been manufactured from high quality materials and components which can be recycled and used again. At the end of its life, this product can not be disposed of in normal domestic waste, but must be taken to a special collection point for the recycling of electrical and electronic equipment. The waste container marked with a cross symbol on the item, in the user manual and on the packaging informs you of this. The raw materials used are suitable for recycling.

By recycling used appliances or raw materials you are making an important contribution to the protection of our environment. You can find out the location of your nearest collection point from your local council.

EU-Conformiteitsverklaring

Wij,

Elmarc B.V.
Kolenbranderstraat 28, 2984 AT Ridderkerk,
Nederland

verklaren onder onze eigen verantwoordelijkheid dat het product:

- Merk product: SEEGER
- Modelnummer product: SGR1150BK
- Productbeschrijving: Instant waterkoker
- Productgegevens:
Ingang: 220 – 240 V~, 50/60 Hz, Klasse I
Uitgang: 2200 – 2600 W

voldoet aan de bepalingen van de richtlijnen:

- Elektromagnetische compatibiliteit (EMC) richtlijn: 2014/30/EU
- Laagspanningsrichtlijn (LVD): 2014/35/EU
- Richtlijn energiegerelateerde producten (ERP): 2009/125/EG
- Richtlijn beperking van het gebruik van bepaalde gevaarlijke stoffen in elektrische en elektronische apparatuur (RoHS): 2015/863, wijziging van 2011/65/EU

En aan de normen waaraan conformiteit is verklaard:

EMC:

- EN IEC 55014-1:2017
- EN IEC 55014-2:2015
- EN IEC 61000-3-2:2019+A1:2021+A2:2024
- EN 61000-3-3:2013+A1:2019+A2:2021

LVD:

- EN 60335-1:2012+A11:2014+A13:2017+A1:2019+A14:2019+A2:2019+A15:2021+A16:2023
- EN 60335-2-15:2016+A11:2018+A1:2021+A2:2021+A12:2021
- EN 62233:2008

ERP:

- EU 2023/826

Plaats: Nederland

Datum van afgifte: 22-08-2025

WICHTIGE SICHERHEITSANWEISUNGEN

Die folgenden Vorsichtsmaßnahmen sind stets zu beachten, bevor der Heißwasserspender, nachfolgend als „Gerät“ bezeichnet, verwendet wird:

- Bewahren Sie die Anleitung auf und lesen Sie sie sorgfältig vor der Benutzung. Bitte geben Sie dieses Handbuch auch an eine andere Person weiter, falls das Gerät an sie weitergegeben wird.
- Verwenden Sie dieses Gerät nur gemäß den Anweisungen in dieser Bedienungsanleitung.
- Dieses Gerät kann von Kindern ab 8 Jahren sowie von Personen mit eingeschränkten physischen, sensorischen oder geistigen Fähigkeiten oder mangelnder Erfahrung und Kenntnis verwendet werden, sofern sie beaufsichtigt werden oder Anweisungen zur sicheren Benutzung durch eine verantwortliche Person erhalten haben.
- Kinder dürfen nicht mit dem Gerät spielen. Reinigung und Wartung dürfen nicht von Kindern durchgeführt werden, es sei denn, sie sind älter als 8 Jahre und stehen unter Aufsicht.
- Dieses Gerät ist für den Hausgebrauch oder ähnliche Zwecke bestimmt, nicht für den professionellen Gebrauch.

Strom und Hitze

- Vor der Benutzung prüfen, ob die Netzspannung mit der auf dem Typenschild des Geräts angegebenen Spannung übereinstimmt.
- Achten Sie darauf, dass Ihre Hände trocken sind, bevor Sie das Gerät, das Netzkabel oder den Stecker berühren.
- Stecken Sie den Netzstecker in eine jederzeit leicht zugängliche, geerdete Steckdose.
- Überprüfen Sie das Netzkabel regelmäßig auf Beschädigungen.
- Verwenden Sie das Gerät niemals, wenn das Netzkabel beschädigt ist, das Gerät heruntergefallen ist oder andere Schäden aufweist.
- Schalten Sie das Gerät AUS und ziehen Sie den Netzstecker, wenn während der Benutzung Störungen auftreten, Schäden festgestellt werden, das Gerät nicht verwendet oder gereinigt wird.
- Achten Sie darauf, dass das Netzkabel nicht betreten oder eingeklemmt wird.
- Lassen Sie das Netzkabel nicht über scharfe Kanten hängen und halten Sie es von heißen Oberflächen und offenen Flammen fern.
- Achten Sie beim Einstecken des Kabels darauf, dass niemand es versehentlich herausziehen oder darüber stolpern kann.
- Ziehen Sie den Netzstecker bei Gewittern oder wenn das Gerät längere Zeit nicht benutzt wird.
- Verwenden Sie ein 10-Ampere-Verlängerungskabel, falls erforderlich. Kabel mit niedrigerer Stromstärke können überhitzen.
- Achten Sie beim Einsatz eines Verlängerungskabels darauf, dass dieses vollständig abgerollt ist.

Gebrauch

- Verwenden Sie das Gerät nicht in der Nähe von brennbaren Materialien.
- Lassen Sie das Gerät während des Betriebs nicht unbeaufsichtigt.
- Berühren Sie weder den Wasserauslass noch das austretende Wasser während des Betriebs.
- Während des Betriebs dürfen weder der Dampfauslass mit der Hand noch auf andere Weise berührt oder blockiert werden.
- Öffnen Sie den Wassertankdeckel nicht hastig, um Verbrennungen durch heißen Dampf oder Fehlfunktionen zu vermeiden.

- Verwenden Sie weder Hände noch andere Körperteile, um die Temperatur oder den Dampf während des Betriebs zu prüfen.
- Verwenden Sie das Gerät ausschließlich zum Erhitzen von Wasser.
- Füllen Sie den Wassertank nicht über die „MAX“-Markierung.
- Betreiben Sie das Gerät nicht, wenn der Wasserstand unter „MIN“ liegt.
- Schalten Sie das Gerät nicht ohne Wasser oder mit zu niedrigem Wasserstand ein, um Schäden am Heizelement zu vermeiden.
- Stellen Sie das Gerät auf eine flache und stabile Oberfläche, an einem Ort, an dem es nicht umkippen oder umgestoßen werden kann, da sonst Verbrühungsgefahr besteht.
- Lehnen Sie sich nicht an das Gerät.
- Betreiben Sie das Gerät nicht kopfüber.
- Verwenden Sie das Gerät nicht in einem funktionierenden Desinfektionsschrank.
- Verwenden Sie das Gerät nicht im Kühlschrank oder Gefrierschrank.
- Bewegen Sie das Gerät niemals, wenn es eingeschaltet oder noch heiß ist. Schalten Sie es zunächst AUS und bewegen Sie es erst, wenn es vollständig abgekühlt ist.
- Reinigen Sie das Gerät nach Gebrauch gründlich (siehe „Reinigung und Wartung“).
- Vermeiden Sie Standorte mit Vibrationen, Kälte oder Feuchtigkeit.
- Setzen Sie das Gerät keiner direkten Sonneneinstrahlung, Wärmequellen, übermäßiger Feuchtigkeit oder korrosiven Umgebungen aus.
- Setzen Sie das Gerät keiner mechanischen Belastung aus.
- Unsachgemäße Verwendung kann das Gerät beschädigen.
- Gehen Sie vorsichtig mit dem Gerät um. Stöße oder Stürze, selbst aus geringer Höhe, können das Gerät beschädigen.
- Öffnen Sie das Gehäuse nicht, da dies zu Stromschlägen führen kann.
- Versuchen Sie nicht, das Gerät zu zerlegen, zu reparieren oder in irgendeiner Weise zu verändern.
- Das Gerät muss gewartet werden, wenn es in irgendeiner Weise beschädigt ist, z. B. wenn Netzkabel/Stecker defekt sind, Gegenstände hineingefallen sind, es Regen oder Feuchtigkeit ausgesetzt war, es heruntergefallen ist oder nicht ordnungsgemäß funktioniert.
- Verwenden Sie keine scheuernden Reinigungsmittel zur Reinigung.
- Verwenden Sie keine Fremdkörper, um das Gerät zu reinigen.
- Dieses Gerät kann von Kindern ab 8 Jahren sowie von Personen mit eingeschränkten physischen, sensorischen oder geistigen Fähigkeiten oder mangelnder Erfahrung und Wissen verwendet werden, sofern sie beaufsichtigt werden oder Anweisungen zur sicheren Benutzung des Geräts erhalten haben und sich der möglichen Gefahren bewusst sind. Kinder dürfen nicht mit dem Gerät spielen. Reinigung und Wartung dürfen nicht von Kindern durchgeführt werden, es sei denn, sie sind älter als 8 Jahre und stehen unter Aufsicht.
- Verwenden Sie das Gerät nur in Innenräumen, in trockenen Bereichen und nicht in der Nähe von Wasser, anderen Flüssigkeiten oder Feuchtigkeit.
- Verwenden Sie das Gerät nicht, wenn es, das Kabel oder der Netzstecker ins Wasser oder in irgendeine Flüssigkeit gefallen ist.
- Tauchen Sie das Gerät, das Kabel oder den Netzstecker niemals in Wasser oder andere Flüssigkeiten ein.

- Heben Sie das Gerät nicht auf, wenn es ins Wasser oder eine Flüssigkeit gefallen ist. Ziehen Sie sofort den Netzstecker aus der Steckdose. Verwenden Sie das Gerät nicht erneut.
- Stellen Sie das Gerät auf eine flache und stabile Oberfläche, an einem Ort, an dem es nicht umkippen kann.
- Achtung! Das ausgegebene Wasser ist heiß. Nicht berühren, um Verbrennungen zu vermeiden.
- Das Gerät ist mit einer Überhitzungssicherung ausgestattet. Diese wird aktiviert, wenn die Temperatur zu hoch wird. In diesem Fall müssen Sie das Gerät abkühlen lassen, bevor es wieder verwendet werden kann. Schalten Sie das Gerät AUS und ziehen Sie den Netzstecker aus der Steckdose. Lassen Sie das Gerät vollständig abkühlen. Das Abkühlen dauert ca. 30 Minuten.
- Ziehen Sie den Netzstecker aus der Steckdose, wenn das Gerät längere Zeit nicht benutzt wird.
- Ziehen Sie beim Entfernen des Steckers immer am Stecker selbst, nicht am Kabel.
- Betreiben Sie das Gerät nicht über eine externe Zeitschaltuhr oder ein separates Fernsteuerungssystem.

WARNHINWEISE



Das aus dem Gerät abgegebene Wasser ist heiß. Berühren Sie es nicht, um Verbrennungen zu vermeiden.



WARNUNG! Das Verpackungsmaterial ist kein Spielzeug. Lassen Sie die Verpackung nicht achtlos herumliegen. Sie kann für Kinder ein gefährlicher Spielgegenstand sein. Erstickungsgefahr!



WARNUNG! Decken Sie niemals den Netzstecker oder das Netzkabel mit Tüchern, Vorhängen oder anderen Materialien ab, um Überhitzung und mögliche Brandgefahr zu vermeiden.



WARNUNG! Um die Gefahr von Brand oder elektrischem Schlag zu verringern, schützen Sie das Gerät vor Tropf- oder Spritzwasser und halten Sie es fern von Gegenständen, die mit Flüssigkeiten gefüllt sind, wie z. B. Vasen. Diese Gegenstände dürfen nicht auf oder in der Nähe des Geräts abgestellt werden.

PRODUKTBESCHREIBUNG

LIEFERUMFANG

- Sofort-Heißwasserspender
- Bedienungsanleitung
- Rücksetztaste
- Wasserfilter, Filterbox (optional)

INSTALLATION UND VERWENDUNG DES GERÄTS

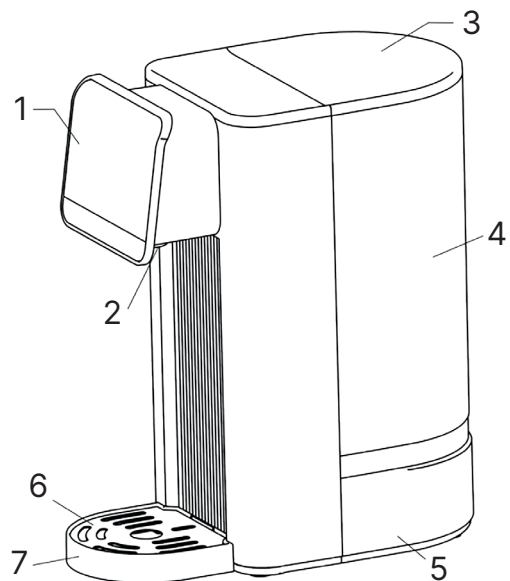
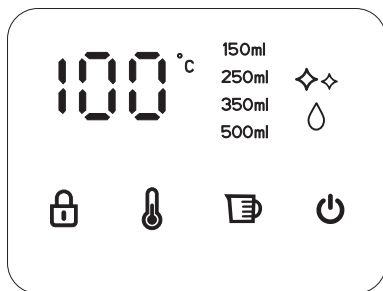
Öffnen Sie die Verpackung vorsichtig, bevor Sie das Gerät entnehmen.

Stellen Sie sicher, dass das Gerät vollständig und unbeschädigt ist.

Sollten Komponenten fehlen oder beschädigt sein, wenden Sie sich an den Händler und verwenden Sie das Produkt nicht. Bewahren Sie die Verpackung auf oder entsorgen Sie sie gemäß den örtlichen Vorschriften.

TEILE & FUNKTIONEN

1. Display
2. Wasserauslass
3. Deckel des Wassertanks
4. Wassertank
5. Bodenabdeckung
6. Abtropfplatte
7. Abtropfschale





DISPLAYDETAILS

Sperrtaste : Halten Sie die Sperrtaste 2 Sekunden lang gedrückt, um zu entsperren.


Erfolgt innerhalb von 10–15 Sekunden keine weitere Eingabe, wechselt das Bedienfeld wieder in den Sperrmodus.

Der Benutzer kann das Bedienfeld auch sperren, indem er die Sperrtaste erneut drückt.

Temperaturtaste : Drücken Sie die Temperaturtaste, um die gewünschte Temperatur einzustellen (40°C, 50°C, 60°C, 70°C, 80°C, 90°C, 100°C oder 00 (Raumtemperaturwasser)).

Volumentaste : Drücken Sie die Volumentaste, um die gewünschte Wassermenge einzustellen (150 ml, 250 ml, 350 ml, 500 ml).

Halten Sie die Volumentaste 3 Sekunden lang gedrückt, sodass alle Lautstärkeoptionen aufleuchten. Dies bedeutet, dass ein kontinuierlicher Wasserstrom fließt.

Ein/Aus-Taste : Drücken Sie die Ein-/Aus-Taste; anschließend wird Wasser ausfließen. Sobald die gewünschte Wassermenge erreicht ist, schaltet das Gerät sofort ab.

ENTKALKEN

Wenn die Nutzungszeit insgesamt 10 Stunden erreicht hat, beginnt die Entkalkungsanzeige $\diamond \diamond$ auf dem Display zu blinken, um daran zu erinnern, dass das Gerät gereinigt werden muss. Drücken Sie die Temperaturtaste etwa 3 Sekunden lang, um das Entkalkungsprogramm zu starten. Sie können etwas Zitronensäure oder Essig im Verhältnis 1:100 zum Wasser hinzufügen. Dies hilft, das Gerät zu entkalken. Füllen Sie außerdem den Wassertank bis zur maximalen Markierung und lassen Sie das Wasser laufen, bis der Tank leer ist. Das Wasser wird abgegeben. Sobald der gesamte Wassertank entleert ist, ist der Entkalkungsvorgang abgeschlossen und die Entkalkungsanzeige erlischt.

WASSERMANGEL

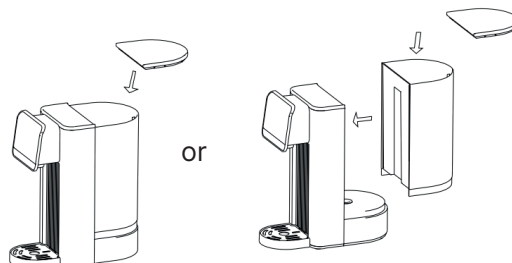
Wenn der Wasserstand im Tank unter MIN sinkt, erscheinen E7 und die Anzeige Wassermangel D blinkend auf dem Display, um daran zu erinnern, den Tank nachzufüllen.

VORBEREITUNG FÜR DEN GEBRAUCH

- Nehmen Sie das Gerät und das Zubehör aus der Verpackung. Entfernen Sie alle Aufkleber, Schutzfolien oder Kunststoffteile vom Gerät.
- Stellen Sie sicher, dass der Netzstecker aus der Steckdose gezogen ist.
- Wischen Sie vor der ersten Benutzung alle abnehmbaren Teile mit einem feuchten Tuch ab. Verwenden Sie niemals aggressive oder scheuernde Reinigungsmittel, Scheuerschwämme oder Stahlwolle; dies kann das Gerät beschädigen.
- Reinigen Sie den Wassertank vor der ersten Benutzung. Füllen Sie den Tank mit sauberem Wasser, entleeren Sie ihn, indem Sie das Gerät umdrehen, und trocknen Sie das Tankfach mit einem trockenen Tuch. Wiederholen Sie diesen Vorgang etwa 3 Mal.
- Verwenden Sie keine Spülmittel im Wassertank!
- Stellen Sie das Gerät auf eine ebene, stabile Fläche, wo es nicht umkippen kann.
- Schließen Sie das Gerät an das Stromnetz an.
- Das Gerät ist nun betriebsbereit.

GEBRAUCHSANWEISUNG

- Stellen Sie das Gerät auf eine ebene, stabile Fläche, an einem Ort, an dem es nicht umfallen kann.
- Sie können den Tank entweder herausnehmen und füllen oder Wasser direkt in den Tank einfüllen, ohne ihn aus der Haupteinheit zu entnehmen.



- Entfernen Sie den Deckel des Wassertanks und füllen Sie den Tank mit sauberem Wasser. Achten Sie darauf, dass der Wasserstand immer über der Markierung „MIN“ und nicht über der Markierung „MAX“ liegt.
Tipp: Es wird empfohlen, Spülwasser im Gerät zu verwenden.
- Füllen Sie KEIN Wasser mit einer Temperatur über 40°C ein.
- Über den „MAX“-Markierungen im Tank befinden sich Öffnungen, durch die Wasser bei Überfüllung austreten kann, um zu verhindern, dass im Tank ein Vakuum entsteht.
- Verschließen Sie den Tank, indem Sie den Deckel wieder aufsetzen.
- Stellen Sie Ihre Tasse auf die herausnehmbare Tropfschale und achten Sie darauf, dass sie mit dem Auslass übereinstimmt.
- Halten Sie die Sperrtaste gedrückt, um das Bedienfeld zu entsperren. Wählen Sie die gewünschte Temperatur und das gewünschte Volumen. Drücken Sie anschließend die Ein/Aus-Taste.
- Nach ca. 5 bis 10 Sekunden beginnt das Gerät, Wasser auszugeben. Der Benutzer kann die Ein/Aus-Taste drücken, um den Vorgang zu stoppen.
- Achtung: Verbrennungen vermeiden. Berühren Sie weder das abgekochte Wasser noch den heißen Dampf, um Verbrennungen oder Verletzungen zu verhindern.
- Wenn das Gerät mit einem Piepton aufhört zu arbeiten, bedeutet dies, dass es an Wasser fehlt. Bitte füllen Sie sofort kaltes Wasser in den Wassertank.
- Das Gerät kann jederzeit die letzte Bedienungsmethode speichern. Wird jedoch der Stecker gezogen, geht der Speicher verloren und das Gerät kehrt zu den Standardeinstellungen zurück.
- Da sich die Umgebungstemperatur täglich ändert, kann sich das Wasservolumen um -15 % bis +15 % unterscheiden.

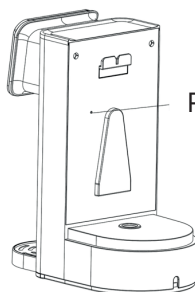
THERMOSTAT

Das Gerät ist mit einem eingebauten Thermostat ausgestattet, der das Gerät bei Überhitzung oder abnormalem Betrieb automatisch ausschaltet.

Wenn das Gerät zu heiß wird (Überhitzung), aktivieren sich der Thermostat und die Sicherung und stoppen den Betrieb. Lassen Sie es etwa 30 Minuten abkühlen; die Sicherung setzt sich danach automatisch zurück. Anschließend kann das Gerät wieder verwendet werden.

Falls das Gerät nach dem Abkühlen nicht normal funktioniert, wird empfohlen, die Thermostatsicherung manuell zurückzusetzen, indem Sie mit dem Reset-Schlüssel in das kleine Reset-Loch drücken, bis ein Klicken hörbar ist. Verwenden Sie hierfür den Reset-Schlüssel.

Reset-Schlüssel



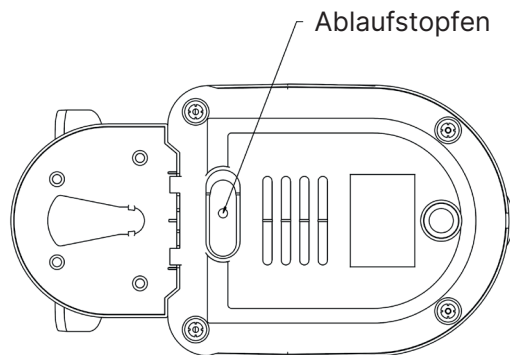
Reset-Loch

ABLAUFSTOPFEN

Wenn das Gerät längere Zeit nicht benutzt wird, reinigen Sie es und entfernen Sie das Abwasser.

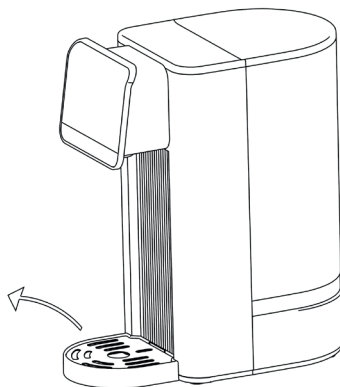
Ziehen Sie den Ablaufstopfen vorsichtig heraus, damit das Abwasser abfließen kann. Sobald das gesamte Abwasser entfernt ist, setzen Sie den Ablaufstopfen wieder in die ursprüngliche Position ein und stellen Sie sicher, dass er fest sitzt.

Hinweis! Wenn nach dem Befüllen des Wassertanks Wasser austritt, prüfen Sie, ob der Ablaufstopfen richtig angezogen ist.



TROPFSCHALE

Wenn die Tropfschale voll ist, halten Sie das Gerät mit einer Hand fest und heben Sie die Tropfschale mit der anderen Hand leicht an, um sie zu entfernen. Leeren Sie die Tropfschale und setzen Sie sie mit leichtem Druck wieder in die ursprüngliche Position ein.



REINIGUNG UND WARTUNG

- Ziehen Sie den Netzstecker und lassen Sie das Gerät vollständig abkühlen.
- Tauchen Sie das Gerät niemals in Wasser oder andere Flüssigkeiten.
- Reinigen Sie das Gerät nach jedem Gebrauch.
- Reinigen Sie das Gehäuse und das Innere mit einem feuchten Tuch.
- Verwenden Sie keine Spülmittel im Wassertank!
- Verwenden Sie niemals aggressive oder scheuernde Reinigungsmittel, Scheuerschwämme oder Stahlwolle; dies beschädigt das Gerät.
- Trocknen Sie das Gerät gründlich ab.
- Bewahren Sie das Gerät an einem trockenen Ort auf.
- Gehen Sie stets vorsichtig mit dem Gerät um; stellen Sie es nicht an den Rand eines Tisches oder einer Arbeitsplatte, um Schäden bei einem Sturz zu vermeiden.
- Wenn Sie das Gerät längere Zeit nicht verwenden, ziehen Sie den Netzstecker, reinigen Sie es und packen Sie es in die Originalverpackung zurück, um zu verhindern, dass die elektrischen Komponenten feucht werden oder beschädigt werden.

FEHLERBEHEBUNG

Anzeige zeigt E7	Wassermangel	Füllen Sie den Wassertank bis zur MAX-Markierung
Anzeige zeigt E4	Unterbrechung des Stromkreises am Temperatursensor	Bringen Sie das Gerät zum örtlichen Kundendienstzentrum, um den Temperatursensor prüfen oder austauschen zu lassen
Anzeige zeigt E5	Elektrischer Kurzschluss am Temperatursensor	Bringen Sie das Gerät zum örtlichen Kundendienstzentrum, um den Temperatursensor prüfen oder austauschen zu lassen
Anzeige zeigt E8	Problem mit der Wasserpumpe	Bringen Sie das Gerät zum örtlichen Kundendienstzentrum, um den Wasserpumpe prüfen oder austauschen zu lassen
Wasserleckage	Der Ablassstopfen ist locker	Ziehen Sie den Ablassstopfen an der Unterseite fest

LAGERUNG & TRANSPORT

- Vor der Lagerung muss das Gerät gemäß dieser Bedienungsanleitung gereinigt werden. Das Gerät sollte in der Originalverpackung aufbewahrt werden.
- Lagern Sie das Gerät stets in einem trockenen und gut belüfteten Raum, außerhalb der Reichweite von Kindern.
- Schützen Sie das Gerät während des Transports vor Vibrationen und Stößen.

TECHNISCHE SPEZIFIKATIONEN

Spannung: 220 - 240 V ~ 50/60Hz

Leistung: 2200 - 2600 Watt

Temperatureinstellungen: Umgebungstemperatur, 40°C, 50°C, 60°C, 70°C, 80°C, 90°C, 100°C.

Volumeneinstellungen: 150 ml, 250 ml, 350 ml, 500 ml, kontinuierlicher Durchfluss

INSTRUCTIONS FOR THE PROTECTION OF THE ENVIROMENT

(WEEE, the waste electrical and electronic equipment directive)



Your product has been manufactured from high quality materials and components which can be recycled and used again. At the end of its life, this product can not be disposed of in normal domestic waste, but must be taken to a special collection point for the recycling of electrical and electronic equipment. The waste container marked with a cross symbol on the item, in the user manual and on the packaging informs you of this. The raw materials used are suitable for recycling.

By recycling used appliances or raw materials you are making an important contribution to the protection of our environment. You can find out the location of your nearest collection point from your local council.

EU KONFORMITÄTSEKTLÄRUNG

Wir,

Elmarc B.V.
Kolenbranderstraat 28, 2984 AT Ridderkerk,
Niederlande

erklären in alleiniger Verantwortung, dass das Produkt:

- Produktmarke: SEEGER
- Produktmodellnummer: SGR1150BK
- Produktbeschreibung: Instant-Wasserkocher
- Produktspezifikationen:

Eingang: 220 – 240 V~, 50/60 Hz, Klasse I
Ausgang: 2200 – 2600 W

den Bestimmungen folgender Richtlinien entspricht:

- Richtlinie zur elektromagnetischen Verträglichkeit (EMV): 2014/30/EU
- Niederspannungsrichtlinie (LVD): 2014/35/EU
- Richtlinie über energieverbrauchsrelevante Produkte (ERP): 2009/125/EG
- Richtlinie zur Beschränkung der Verwendung bestimmter gefährlicher Stoffe in Elektro- und Elektronikgeräten (RoHS): 2015/863, Änderung von 2011/65/EU

Und den Normen, für die die Konformität erklärt wird:

EMV:

- EN IEC 55014-1:2017
- EN IEC 55014-2:2015
- EN IEC 61000-3-2:2019+A1:2021+A2:2024
- EN 61000-3-3:2013+A1:2019+A2:2021

LVD:

- EN 60335-1:2012+A11:2014+A13:2017+A1:2019+A14:2019+A2:2019+A15:2021+A16:2023
- EN 60335-2-15:2016+A11:2018+A1:2021+A2:2021+A12:2021
- EN 62233:2008

ERP:

- EU 2023/826

Ort: Niederlande
Ausgabedatum: 22-08-2025

INSTRUCTIONS DE SÉCURITÉ IMPORTANTES

Les précautions suivantes doivent toujours être respectées avant d'utiliser le distributeur d'eau chaude instantanée, ci-après dénommé « appareil » :

- Conservez ces instructions en lieu sûr et lisez-les attentivement avant utilisation. Veuillez également remettre ce manuel à une autre personne si l'appareil lui est transmis.
- Utilisez cet appareil uniquement conformément aux instructions de ce manuel.
- Cet appareil peut être utilisé par des enfants âgés de 8 ans et plus ainsi que par des personnes ayant des capacités physiques, sensorielles ou mentales réduites, ou un manque d'expérience et de connaissances, à condition qu'elles soient surveillées ou qu'elles aient reçu des instructions concernant l'utilisation sécurisée de l'appareil par une personne responsable de leur sécurité.
- Les enfants ne doivent pas jouer avec l'appareil. Le nettoyage et l'entretien ne doivent pas être effectués par des enfants, sauf s'ils ont plus de 8 ans et qu'ils sont surveillés.
- Cet appareil est destiné à un usage domestique ou similaire, et non à un usage professionnel.

Électricité et chaleur

- Avant utilisation, vérifiez que la tension du secteur correspond à celle indiquée sur la plaque signalétique de l'appareil.
- Assurez-vous que vos mains soient sèches avant de toucher l'appareil, le cordon ou la fiche.
- Branchez la fiche dans une prise électrique avec mise à la terre, facilement accessible à tout moment.
- Vérifiez régulièrement l'état du cordon d'alimentation.
- N'utilisez jamais l'appareil si le cordon d'alimentation est endommagé, si l'appareil est tombé au sol ou présente des signes de détérioration.
- Éteignez l'appareil et retirez la fiche si vous constatez un défaut lors de l'utilisation, si vous observez des dommages, si vous n'utilisez pas l'appareil ou si vous le nettoyez.
- Assurez-vous que le cordon ne puisse pas être piétiné ni coincé.
- Ne laissez pas le cordon pendre sur des arêtes vives et tenez-le éloigné des objets chauds et des flammes nues.
- Lors du branchement, veillez à ce que personne ne puisse tirer accidentellement sur le cordon ou trébucher dessus.
- Débranchez l'appareil pendant les orages ou s'il reste inutilisé pendant de longues périodes.
- Utilisez un câble de 10 ampères si une rallonge est nécessaire. Les câbles de capacité inférieure risquent de brûler.
- Lorsque vous utilisez une rallonge, assurez-vous qu'elle soit entièrement déroulée.

Utilisation

- N'utilisez pas l'appareil à proximité de matériaux inflammables.
- Ne laissez pas l'appareil sans surveillance lorsqu'il est en marche.
- Ne touchez pas le bec verseur ni l'eau distribuée pendant le fonctionnement.
- Pendant l'utilisation, ne touchez pas et ne bloquez pas la sortie de vapeur avec la main ni avec aucun objet.
- N'ouvrez pas le couvercle du réservoir d'eau de manière précipitée afin d'éviter les brûlures causées par la vapeur ou d'éventuelles pannes.
- N'utilisez pas vos mains ou d'autres parties du corps pour vérifier la température ou la vapeur de l'appareil lorsqu'il fonctionne.
- N'utilisez pas l'appareil pour chauffer autre chose que de l'eau.

- Ne remplissez pas le réservoir d'eau au-delà de l'indicateur « MAX ».
- N'utilisez pas l'appareil si le niveau d'eau est inférieur au repère « MIN ».
- N'utilisez pas l'appareil sans eau ou en dessous du niveau minimum d'eau, afin d'éviter d'endommager l'élément chauffant.
- Placez l'appareil sur une surface plane et stable, là où il ne peut pas tomber ou être renversé, ce qui pourrait causer des brûlures.
- Ne vous appuyez pas sur l'appareil.
- N'utilisez pas l'appareil à l'envers.
- Ne placez pas l'appareil dans une armoire de désinfection en fonctionnement.
- N'utilisez pas l'appareil dans un réfrigérateur ou un congélateur.
- Ne déplacez jamais l'appareil lorsqu'il est sous tension ou encore chaud. Éteignez-le d'abord et déplacez-le uniquement une fois qu'il a refroidi.
- Nettoyez soigneusement l'appareil après usage (voir « nettoyage et entretien »).
- Évitez les emplacements soumis aux vibrations, au froid ou à l'humidité.
- Ne placez pas l'appareil à la lumière directe du soleil, près de sources de chaleur, dans des endroits trop humides ou dans des environnements corrosifs.
- Ne soumettez pas l'appareil à des contraintes mécaniques.
- Une mauvaise utilisation de l'appareil pourrait l'endommager.
- Manipulez l'appareil avec soin. Les chocs ou les chutes, même de faible hauteur, peuvent l'endommager.
- N'ouvrez pas le boîtier, car cela peut entraîner un choc électrique.
- N'essayez pas de démonter, de réparer ou de modifier l'appareil de quelque manière que ce soit.
- L'appareil doit être réparé s'il a été endommagé de quelque manière que ce soit, par exemple si le cordon/la fiche est endommagé(e), si des objets sont tombés dedans, s'il a été exposé à l'humidité, s'il est tombé ou ne fonctionne pas correctement.
- N'utilisez pas de solvants abrasifs pour nettoyer l'appareil.
- N'utilisez pas d'objets étrangers pour nettoyer l'appareil.
- Cet appareil peut être utilisé par des enfants âgés de 8 ans et plus ainsi que par des personnes ayant des capacités physiques, sensorielles ou mentales réduites ou manquant d'expérience et de connaissances, à condition qu'elles soient surveillées ou qu'elles aient reçu des instructions concernant son utilisation en toute sécurité et qu'elles soient conscientes des dangers encourus. Les enfants ne doivent pas jouer avec l'appareil. Le nettoyage et l'entretien ne doivent pas être effectués par des enfants, sauf s'ils ont plus de 8 ans et qu'ils sont surveillés.
- Utilisez l'appareil uniquement à l'intérieur, dans des endroits secs et non à proximité d'eau, d'autres liquides ou d'humidité.
- N'utilisez pas l'appareil si celui-ci, le câble ou la fiche est tombé dans l'eau ou dans tout autre liquide.
- Ne plongez jamais l'appareil, le câble ni la fiche dans l'eau ou tout autre liquide.
- Ne ramassez pas l'appareil s'il est tombé dans l'eau ou un liquide. Débranchez immédiatement la fiche de la prise de courant et n'utilisez plus l'appareil.
- Placez l'appareil sur une surface plane et stable, où il ne peut pas basculer.
- Attention ! L'eau distribuée est chaude. Ne la touchez pas pour éviter de vous brûler.
- L'appareil est équipé d'une sécurité contre la surchauffe. Celle-ci s'active si la température devient trop élevée. Dans ce cas, laissez l'appareil refroidir complètement avant de le réutiliser. Éteignez l'appareil, débranchez-le et attendez environ 30 minutes pour qu'il refroidisse.

- Débranchez l'appareil de la prise de courant lorsqu'il reste inutilisé pendant une longue période.
- Lors du débranchement, tirez toujours sur la fiche et non sur le cordon.
- N'utilisez pas l'appareil avec une minuterie externe ou un système de commande à distance séparé.

AVERTISSEMENTS



L'eau distribuée par l'appareil est chaude.
Ne la touchez pas afin d'éviter de vous brûler.



AVERTISSEMENT ! Le matériau d'emballage n'est pas un jouet. Ne laissez pas l'emballage traîner négligemment. Il peut devenir un objet dangereux pour les enfants. Risque d'étouffement !



AVERTISSEMENT ! Ne couvrez jamais la fiche ou le câble d'alimentation avec des tissus, rideaux ou tout autre matériau afin d'éviter une surchauffe et un risque potentiel d'incendie.



AVERTISSEMENT ! Pour réduire les risques d'incendie ou de choc électrique, protégez l'appareil contre les éclaboussures ou l'humidité et tenez-le éloigné des objets remplis de liquides, tels que des vases. Ces objets ne doivent pas être placés sur ou à proximité de l'appareil.

DESCRIPTION DU PRODUIT

CONTENU DE L'EMBALLAGE

- Distributeur d'eau chaude instantanée
- Mode d'emploi
- Clé de réinitialisation
- Filtre à eau, boîtier du filtre (en option)

INSTALLATION ET UTILISATION DE L'APPAREIL

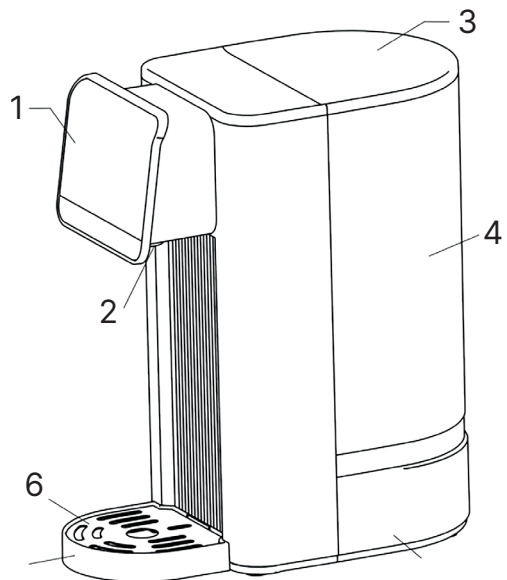
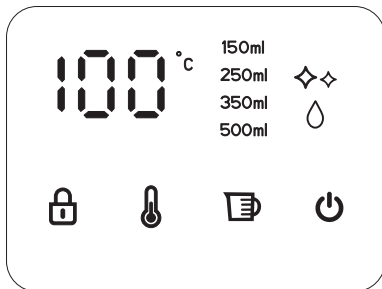
Ouvrez l'emballage avec précaution avant de sortir l'appareil.

Assurez-vous que l'appareil est complet et non endommagé.


Si des composants sont manquants ou endommagés, contactez le revendeur et n'utilisez pas le produit. Conservez l'emballage ou recyclez-le conformément aux réglementations locales.


PIÈCES & CARACTÉRISTIQUES


1. Affichage
2. Bec verseur
3. Couvercle du réservoir d'eau
4. Réservoir d'eau
5. Couvercle inférieur
6. Plaque d'égouttage
7. Bac d'égouttage




DÉTAILS DE L'AFFICHAGE

Bouton de verrouillage  : maintenez le bouton de verrouillage enfoncé pendant 2 secondes pour déverrouiller. S'il n'y a aucune action dans les 10–15 secondes, le panneau se remet automatiquement en mode verrouillage. L'utilisateur peut également verrouiller le panneau en appuyant de nouveau sur le bouton de verrouillage.

Bouton de température  : appuyez sur le bouton de température pour régler la température souhaitée (40°C, 50°C, 60°C, 70°C, 80°C, 90°C, 100°C ou 00 (eau à température ambiante)).

Bouton de volume  : appuyez sur le bouton de volume pour régler le volume d'eau (150 ml, 250 ml, 350 ml, 500 ml).

Appuyez sur le bouton marche/arrêt ; l'eau s'écoulera ensuite. Lorsque la quantité d'eau souhaitée est atteinte, l'appareil s'arrête immédiatement.


Bouton Marche/Arrêt  : Appuyez sur le bouton marche/arrêt ; l'eau s'écoulera ensuite. Lorsque la quantité d'eau souhaitée est atteinte, l'appareil s'arrête immédiatement.

DÉTARTREZ

Lorsque le temps d'utilisation atteint un total de 10 heures, le voyant Détartrage ✧✧ clignote à l'écran pour rappeler qu'il est nécessaire de nettoyer l'appareil. Appuyez sur le bouton de température pendant environ 3 secondes pour lancer la procédure de détartrage. Vous pouvez ajouter un peu d'acide citrique ou de vinaigre à l'eau dans une proportion de 1:100. Cela aide à détartrer l'appareil. De plus, remplissez le réservoir d'eau jusqu'au niveau maximum et laissez l'eau s'écouler jusqu'à ce que le réservoir soit vide.

Une fois que toute l'eau du réservoir a été évacuée, le processus de détartrage est terminé et le voyant s'éteint.

MANQUE D'EAU

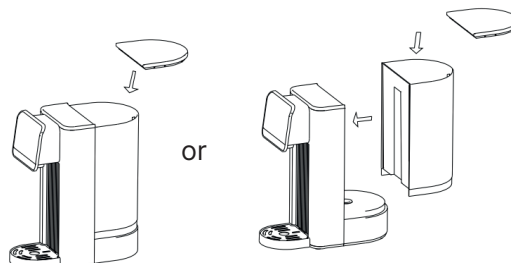
Lorsque le niveau d'eau dans le réservoir descend en dessous du repère MIN, E7 et l'indication Lack of water  clignotent sur l'écran pour rappeler qu'il faut remplir le réservoir.

PRÉPARATION À L'UTILISATION

- Retirez l'appareil et les accessoires de la boîte. Enlevez tous les autocollants, films de protection ou plastiques de l'appareil.
- Assurez-vous que la fiche est débranchée de la prise secteur.
- Avant la première utilisation, essuyez toutes les pièces amovibles avec un chiffon humide. N'utilisez jamais de produits de nettoyage agressifs ou abrasifs, de tampons à récurer ou de laine d'acier ; cela endommagerait l'appareil.
- Nettoyez le réservoir d'eau avant la première utilisation. Remplissez le réservoir d'eau propre, videz-le en retournant l'appareil, puis séchez le compartiment du réservoir avec un chiffon sec. Répétez ces étapes environ 3 fois.
- N'utilisez pas de liquide vaisselle dans le réservoir d'eau !
- Placez l'appareil sur une surface plane et stable, à un endroit où il ne risque pas de tomber.
- Branchez l'appareil sur le secteur.
- L'appareil est maintenant prêt à l'emploi.

INSTRUCTIONS D'UTILISATION

- Placez l'appareil sur une surface plane et stable, à un endroit où il ne peut pas basculer.
- Vous pouvez remplir le réservoir soit en le retirant, soit en ajoutant directement de l'eau sans le détacher de l'unité principale.



- Retirez le couvercle du réservoir d'eau et remplissez-le avec de l'eau propre. Assurez-vous que le niveau d'eau est toujours au-dessus du repère « MIN » et en dessous du repère « MAX ».
Astuce : il est conseillé d'utiliser de l'eau purgée dans l'appareil.
- NE remplissez PAS le réservoir avec de l'eau à une température supérieure à 40°C.
- Il y a des trous dans le réservoir au-dessus de l'indication « MAX » qui permettent à l'eau de s'échapper en cas de sur-remplissage et évitent la formation d'un vide dans le compartiment du réservoir.
- Refermez le réservoir en remettant le couvercle en place.
- Placez votre tasse sur le bac d'égouttage amovible et assurez-vous qu'elle est alignée avec le bec verseur.
- Maintenez le bouton de verrouillage enfoncé pour déverrouiller le panneau de commande. Sélectionnez la température et le volume souhaités. Appuyez ensuite sur le bouton Marche/Arrêt.
- Après environ 5 à 10 secondes, l'appareil commence à distribuer de l'eau. L'utilisateur peut appuyer sur le bouton Marche/Arrêt pour arrêter le fonctionnement.
- Attention : Prévenez les brûlures. Ne touchez pas l'eau bouillie ni la vapeur chaude afin d'éviter toute brûlure ou blessure.
- Si l'appareil cesse de fonctionner et émet un bip, cela signifie qu'il manque de l'eau. Veuillez verser immédiatement de l'eau froide dans le réservoir pour le remplir.
- L'appareil peut mémoriser à tout moment le dernier mode de fonctionnement. Toutefois, lorsque la fiche est débranchée, la mémoire est perdue et l'appareil revient aux réglages par défaut.
- Comme la température ambiante varie chaque jour, le volume d'eau peut fluctuer de -15 % à +15 %.

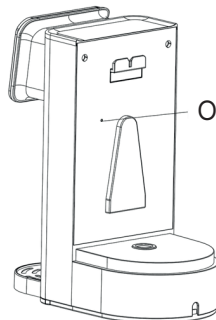
THERMOSTAT

L'appareil est équipé d'un thermostat intégré qui l'éteint automatiquement en cas de surchauffe ou de fonctionnement anormal.

Si l'appareil devient trop chaud (surchauffe), le thermostat et le fusible s'activent et arrêtent le fonctionnement. Laissez-le refroidir pendant environ 30 minutes ; le fusible se réinitialisera automatiquement. L'appareil pourra ensuite être utilisé à nouveau.

Si l'appareil ne fonctionne pas normalement après refroidissement, il est recommandé de réinitialiser manuellement le fusible du thermostat en insérant la clé de réinitialisation dans le petit trou prévu à cet effet, jusqu'à entendre un « clic ». Veuillez utiliser la clé de réinitialisation pour cette action.

Clé de réinitialisation



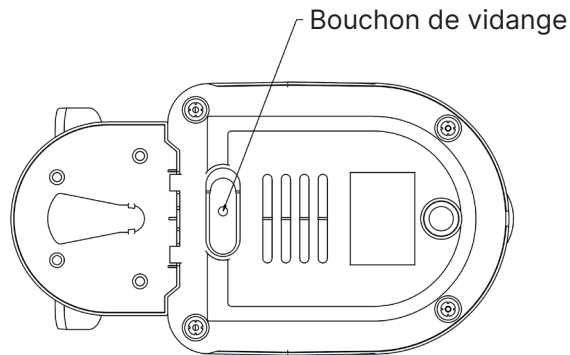
Orifice de réinitialisation

BOUCHON DE VIDANGE

Si l'appareil ne doit pas être utilisé pendant une longue période, nettoyez-le et évacuez les eaux usées.

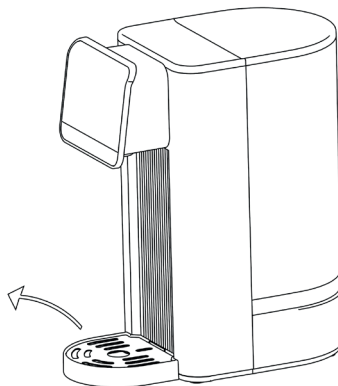
Retirez délicatement le bouchon de vidange afin que les eaux usées puissent s'écouler. Une fois toute l'eau usée éliminée, remettez le bouchon en place dans sa position d'origine et assurez-vous qu'il est bien serré.

Remarque ! En cas de fuite d'eau après avoir rempli le réservoir, vérifiez que le bouchon de vidange est correctement serré.



BAC D'ÉGOUTTAGE

Lorsque le bac d'égouttage est plein, maintenez l'appareil fermement d'une main et, de l'autre, soulevez légèrement le bac pour le retirer. Videz-le puis remettez-le correctement en place.



NETTOYAGE ET ENTRETIEN

- Débranchez l'appareil et laissez-le refroidir complètement.
- Ne plongez jamais l'appareil dans l'eau ni dans aucun autre liquide.
- Nettoyez l'appareil après chaque utilisation.
- Nettoyez le boîtier et l'intérieur avec un chiffon humide.
- N'utilisez pas de liquide vaisselle dans le réservoir d'eau !
- N'utilisez jamais de produits de nettoyage agressifs ou abrasifs, de tampons à récurer ou de laine d'acier ; ceux-ci endommageraient l'appareil.
- Séchez soigneusement l'appareil.
- Rangez l'appareil dans un endroit sec.
- Manipulez toujours l'appareil avec précaution ; ne le placez pas au bord d'une table ou d'un plan de travail afin d'éviter toute déformation ou dommage en cas de chute accidentelle.
- Si vous n'utilisez pas l'appareil pendant une longue période, débranchez-le, nettoyez-le puis remplacez-le dans son emballage d'origine pour éviter que les composants électriques ne s'humidifient ou ne soient endommagés.

DÉPANNAGE

Affichage E7	Manque d'eau	Remplir le réservoir jusqu'au niveau MAX
Affichage E4	Circuit ouvert du capteur de température	Envoyer l'appareil au centre de service après-vente local pour vérifier ou remplacer le capteur de température
Affichage E5	Court-circuit électrique du capteur de température	Envoyer l'appareil au centre de service après-vente local pour vérifier ou remplacer le capteur de température
Affichage E8	Problème avec la pompe à eau	Envoyer l'appareil au centre de service après-vente local pour vérifier ou remplacer la pompe à eau
Fuite d'eau	Le bouchon de vidange est desserré	Tighten the drainage stopper on the bottom Resserrer le bouchon de vidange situé au bas de l'appareil

STOCKAGE & TRANSPORT

- Lors du stockage, l'appareil doit d'abord être nettoyé conformément à ce mode d'emploi. L'appareil doit être conservé dans son emballage d'origine.
- Conservez toujours l'appareil dans une pièce sèche et bien ventilée, hors de portée des enfants.
- Protégez l'appareil contre les vibrations et les chocs pendant le transport.

SPÉCIFICATIONS TECHNIQUES

Tension : 220 - 240 V ~ 50/60Hz

Puissance : 2200 - 2600 Watts

Réglages de température : température ambiante, 40°C, 50°C, 60°C, 70°C, 80°C, 90°C, 100°C.

Réglages de volume : 150ml, 250ml, 350ml, 500ml, débit continu

INSTRUCTIONS FOR THE PROTECTION OF THE ENVIROMENT

(WEEE, the waste electrical and electronic equipment directive)



Your product has been manufactured from high quality materials and components which can be recycled and used again. At the end of its life, this product can not be disposed of in normal domestic waste, but must be taken to a special collection point for the recycling of electrical and electronic equipment. The waste container marked with a cross symbol on the item, in the user manual and on the packaging informs you of this. The raw materials used are suitable for recycling.

By recycling used appliances or raw materials you are making an important contribution to the protection of our environment. You can find out the location of your nearest collection point from your local council.

DÉCLARATION UE DE CONFORMITÉ

Nous,

Elmarc B.V.
Kolenbranderstraat 28, 2984 AT Ridderkerk,
Pays-Bas

déclarons sous notre seule responsabilité que le produit :

- Marque du produit : SEEGER
- Référence du modèle : SGR1150BK
- Description du produit : Bouilloire instantanée
- Caractéristiques du produit :

Entrée : 220 – 240 V~, 50/60 Hz, Classe I

Sortie : 2200 – 2600 W

est conforme aux dispositions des directives suivantes :

- Directive compatibilité électromagnétique (CEM) : 2014/30/UE
- Directive basse tension (DBT) : 2014/35/UE
- Directive relative aux produits liés à l'énergie (ERP) : 2009/125/CE
- Directive relative à la limitation de l'utilisation de certaines substances dangereuses dans les équipements électriques et électroniques (RoHS) : 2015/863 modifiant 2011/65/UE

Et aux normes pour lesquelles la conformité est déclarée :

CEM :

- EN IEC 55014-1:2017
- EN IEC 55014-2:2015
- EN IEC 61000-3-2:2019+A1:2021+A2:2024
- EN 61000-3-3:2013+A1:2019+A2:2021

DBT :

- EN 60335-1:2012+A11:2014+A13:2017+A1:2019+A14:2019+A2:2019+A15:2021+A16:2023
- EN 60335-2-15:2016+A11:2018+A1:2021+A2:2021+A12:2021
- EN 62233:2008

ERP :

- UE 2023/826

Lieu : Pays-Bas

Date d'émission : 22-08-2025

INSTRUCCIONES DE SEGURIDAD IMPORTANTES

Las siguientes precauciones deben tenerse siempre en cuenta antes de utilizar el dispensador de agua caliente instantánea, en adelante denominado «dispositivo»:

- Guarde estas instrucciones en un lugar seguro y léalas atentamente antes de usarlo. Por favor, entregue también este manual a otra persona en caso de que el aparato le sea entregado.
- Utilice este dispositivo únicamente de acuerdo con las instrucciones de este manual.
- Este dispositivo puede ser utilizado por niños a partir de 8 años y por personas con capacidades físicas, sensoriales o mentales reducidas, o con falta de experiencia y conocimientos, siempre que estén supervisadas o hayan recibido instrucciones sobre el uso seguro del aparato por una persona responsable de su seguridad.
- Los niños no deben jugar con el dispositivo. La limpieza y el mantenimiento no deben ser realizados por niños, salvo que tengan más de 8 años y estén bajo supervisión.
- Este dispositivo está destinado a un uso doméstico o similar, no a un uso profesional.

Electricidad y calor

- Antes de usarlo, compruebe que la tensión de red sea la misma que la indicada en la placa de características del dispositivo.
- Asegúrese de que sus manos estén secas antes de tocar el dispositivo, el cable de alimentación o el enchufe.
- Conecte el enchufe a una toma de corriente con conexión a tierra que sea siempre fácilmente accesible.
- Revise periódicamente el cable de alimentación para detectar daños.
- No utilice nunca el dispositivo si el cable está dañado, si el dispositivo se ha caído o presenta signos de deterioro.
- Apague el dispositivo y retire el enchufe si detecta algún defecto durante el uso, observa daños, no lo utiliza o lo va a limpiar.
- Asegúrese de que el cable no pueda ser pisado ni aplastado.
- No deje que el cable cuelgue sobre bordes afilados y manténgalo alejado de objetos calientes y llamas abiertas.
- Al enchufar el cable, asegúrese de que nadie pueda tirar accidentalmente de él o tropezar.
- Desconecte el dispositivo durante tormentas eléctricas o si no va a utilizarse durante largos periodos.
- Use un cable de al menos 10 amperios si se requiere un alargador. Los cables de menor capacidad pueden quemarse.
- Si utiliza un alargador, asegúrese de que esté completamente desenrollado.

Uso

- No utilice el dispositivo cerca de materiales inflamables.
- No deje el dispositivo desatendido mientras esté en uso.
- No toque el grifo de salida de agua ni el agua dispensada durante el funcionamiento.
- Durante el uso, no toque ni bloquee la salida de vapor con la mano ni con ningún otro objeto.
- No abra la tapa del depósito de agua de manera apresurada para evitar quemaduras por vapor caliente o posibles fallos.
- No use las manos ni otras partes del cuerpo para comprobar la temperatura o el vapor del dispositivo mientras funciona.
- No utilice el dispositivo para calentar nada que no sea agua.
- No llene el depósito por encima de la marca «MAX».

- No use el dispositivo si el nivel de agua está por debajo de «MIN».
- No utilice el dispositivo sin agua o con el nivel por debajo del mínimo, para evitar dañar el elemento calefactor.
- Coloque siempre el dispositivo en una superficie plana y estable, donde no pueda volcarse ni ser golpeado accidentalmente, lo que podría causar quemaduras.
- No se apoye sobre el dispositivo.
- No use el dispositivo al revés.
- No utilice el dispositivo dentro de un armario de desinfección en funcionamiento.
- No use el dispositivo en el frigorífico ni en el congelador.
- Nunca mueva el dispositivo mientras esté encendido o aún caliente. Apáguelo primero y muévalo solo cuando se haya enfriado completamente.
- Limpie el dispositivo cuidadosamente después de cada uso (ver «limpieza y mantenimiento»).
- Evite colocarlo en lugares con vibraciones, frío o humedad.
- No exponga el dispositivo a la luz solar directa, fuentes de calor, humedad excesiva o ambientes corrosivos.
- No someta el dispositivo a tensiones mecánicas.
- El uso inadecuado del dispositivo puede dañarlo.
- Manipule el dispositivo con cuidado. Los golpes o caídas, incluso desde poca altura, pueden dañarlo.
- No abra la carcasa, ya que podría provocar una descarga eléctrica.
- No intente desmontar, reparar ni modificar el dispositivo de ninguna manera.
- El dispositivo debe ser reparado si ha sufrido algún daño, por ejemplo: si el cable o el enchufe están defectuosos; si han caído objetos dentro; si ha estado expuesto a la lluvia o humedad; si se ha caído o no funciona correctamente.
- No use disolventes abrasivos para limpiarlo.
- No introduzca objetos extraños para limpiar el dispositivo.
- Este dispositivo puede ser utilizado por niños a partir de 8 años y por personas con capacidades físicas, sensoriales o mentales reducidas, o con falta de experiencia y conocimientos, siempre que estén supervisadas o hayan recibido instrucciones sobre su uso seguro y comprendan los riesgos. Los niños no deben jugar con el dispositivo. La limpieza y el mantenimiento no deben ser realizados por niños, salvo que tengan más de 8 años y estén supervisados.
- Use el dispositivo únicamente en interiores, en zonas secas y no cerca de agua, líquidos u humedad.
- No use el dispositivo si este, el cable o el enchufe han caído en agua o en cualquier otro líquido.
- Nunca sumerja el dispositivo, el cable ni el enchufe en agua o en ningún líquido.
- No recoja el dispositivo si ha caído en agua o en otro líquido. Desenchúfelo inmediatamente y no lo utilice de nuevo.
- Coloque el dispositivo en una superficie plana y estable, donde no pueda volcarse.
- ¡Precaución! El agua dispensada está caliente. No la toque para evitar quemaduras.
- El dispositivo está equipado con una función de seguridad contra el sobrecalentamiento. Esta se activa si la temperatura se eleva demasiado. En ese caso, deje que el dispositivo se enfríe completamente antes de volver a usarlo. Apáguelo, desenchúfelo y espere aproximadamente 30 minutos hasta que se enfríe.

- Desenchufe el dispositivo de la toma de corriente si no va a utilizarse durante largos periodos.
- Al desconectar el dispositivo, tire siempre de la clavija, no del cable.
- No utilice el dispositivo con un temporizador externo ni con un sistema de control remoto independiente.

ADVERTENCIAS



El agua dispensada por el aparato está caliente. No la toque para evitar quemaduras.



¡ADVERTENCIA! El material de embalaje no es un juguete. No deje el embalaje tirado descuidadamente. Puede convertirse en un objeto peligroso para los niños. ¡Riesgo de asfixia!



¡ADVERTENCIA! Nunca cubra el enchufe ni el cable de alimentación con paños, cortinas u otros materiales para evitar el sobrecalentamiento y posibles riesgos de incendio.



¡ADVERTENCIA! Para reducir el riesgo de incendio o descarga eléctrica, proteja el aparato contra el goteo o las salpicaduras de agua y manténgalo alejado de objetos llenos de líquidos, como jarrones. Estos objetos no deben colocarse sobre ni cerca del aparato

DESCRIPCIÓN DEL PRODUCTO

CONTENIDO DEL PAQUETE

- Dispensador de agua caliente instantánea
- Manual de usuario
- Llave de reinicio
- Filtro de agua, caja de filtro (opcional)

INSTALACIÓN Y USO DEL APARATO

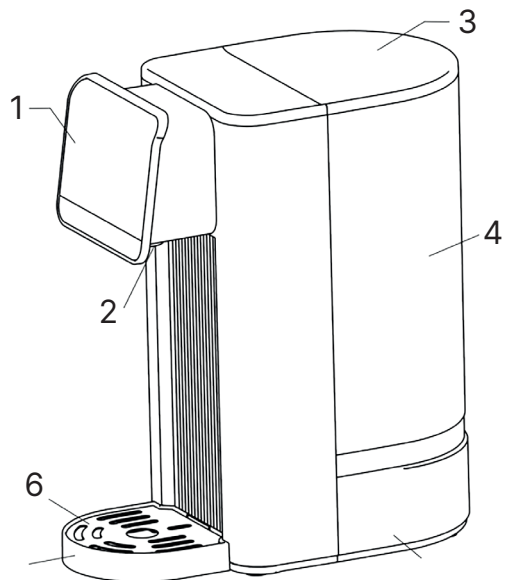
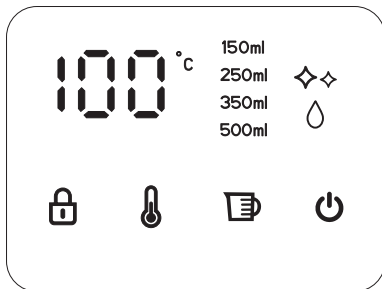
Abra el embalaje con cuidado antes de sacar el aparato.

Asegúrese de que el aparato esté completo y sin daños.


Si faltan componentes o están dañados, póngase en contacto con el vendedor y no utilice el producto. Conserve el embalaje o recíclolo de acuerdo con las normativas locales.

PIEZAS Y CARACTERÍSTICAS

1. Pantalla
2. Grifo/boquilla de salida
3. Tapa del depósito de agua
4. Depósito de agua
5. Cubierta inferior
6. Placa antigoteo
7. Bandeja antigoteo




DETALLES DE LA PANTALLA

Botón de bloqueo : mantenga pulsado el botón de bloqueo durante 2 segundos para desbloquear.


Si no se pulsa ningún botón en 10–15 segundos, el panel volverá automáticamente al modo de bloqueo.

El usuario también puede bloquear el panel pulsando de nuevo el botón de bloqueo.

Botón de temperatura : pulse el botón de temperatura para seleccionar la temperatura deseada (40°C, 50°C, 60°C, 70°C, 80°C, 90°C, 100°C o 00 (agua a temperatura ambiente)).

Botón de volumen : pulse el botón de volumen para ajustar el volumen de agua (150 ml, 250 ml, 350 ml, 500 ml).


Pulse el botón de encendido/apagado; el agua empezará a salir. Cuando se alcance la cantidad de agua deseada, el aparato se detendrá de inmediato.

Botón de encendido/apagado : pulse el botón de encendido/apagado; el agua fluirá de manera continua por la boquilla. Cuando haya obtenido la cantidad de agua deseada, el aparato se detiene de inmediato.

DESCALCIFICAR

Cuando el tiempo de uso alcance un total de 10 horas, la luz de descalcificación ✧✧ parpadeará en la pantalla para recordar la necesidad de limpiar el aparato. Mantenga pulsado el botón de temperatura durante unos 3 segundos para iniciar el procedimiento de descalcificación. Puede añadir un poco de ácido cítrico o vinagre al agua en una proporción de 1:100. Esto ayuda a descalcificar el aparato. Además, llene el depósito de agua hasta el nivel máximo y deje que el agua fluya hasta que el depósito esté vacío. Una vez que todo el agua del depósito se haya vaciado, el proceso de descalcificación habrá finalizado y la luz se apagará.

FALTA DE AGUA

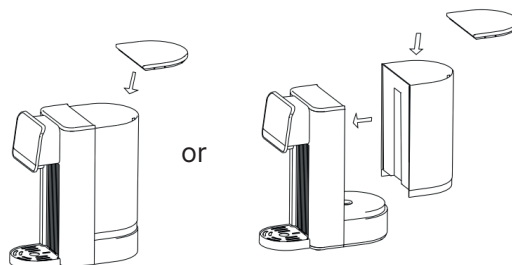
Cuando el nivel de agua en el depósito sea inferior al nivel MIN, aparecerá E7 y la indicación Lack of water  parpadeará en la pantalla como recordatorio de rellenar el depósito.

PREPARACIÓN PARA EL USO

- Retire el aparato y los accesorios de la caja. Quite cualquier etiqueta, película protectora o plástico del aparato.
- Asegúrese de que el enchufe esté desconectado de la toma de corriente.
- Antes del primer uso, limpie todas las piezas desmontables con un paño húmedo. Nunca utilice productos de limpieza agresivos o abrasivos, estropajos o lana de acero; podrían dañar el aparato.
- Limpie el depósito de agua antes del primer uso. Llene el depósito con agua limpia, vacíelo girando el aparato, y seque el compartimento del depósito con un paño seco. Repita estos pasos unas 3 veces.
- ¡No utilice detergentes en el depósito de agua!
- Coloque el aparato sobre una superficie plana y estable, donde no pueda volcarse.
- Conecte el aparato a la red eléctrica.
- El aparato está ahora listo para usarse.

INSTRUCCIONES DE USO

- Coloque el aparato sobre una superficie plana y estable, en un lugar donde no pueda volcarse.
- Puede llenar el depósito retirándolo o añadiendo agua directamente sin separarlo de la unidad principal.



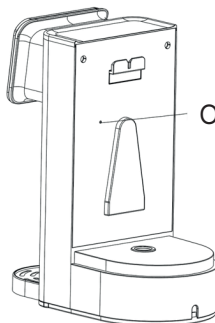
- Retire la tapa del depósito de agua y llénelo con agua limpia. Asegúrese de que el nivel del agua esté siempre por encima de la marca «MIN» y no supere la marca «MAX».
Consejo: se recomienda usar agua purgada en el aparato.
- NO llene el depósito con agua a una temperatura superior a 40°C.
- El depósito tiene orificios por encima de la marca «MAX» que permiten liberar agua en caso de sobrellenado y evitan la formación de vacío en el compartimento.
- Cierre el depósito colocando nuevamente la tapa.
- Coloque su taza en la bandeja recogegotas extraíble y asegúrese de que esté alineada con el grifo de salida.
- Mantenga pulsado el botón de bloqueo para desbloquear el panel de control. Seleccione la temperatura y el volumen deseados. Luego presione el botón de encendido/apagado.
- Después de aproximadamente 5 a 10 segundos, el aparato empezará a dispensar agua.
El usuario puede pulsar el botón de encendido/apagado para detener la operación.
- Precaución: Evite quemaduras. No toque el agua hervida ni el vapor caliente para evitar quemaduras o lesiones.
- Si el aparato deja de funcionar y emite un pitido, significa que falta agua. Por favor, vierta inmediatamente agua fría en el depósito para llenarlo.
- El dispositivo puede memorizar en cualquier momento el último modo de funcionamiento. Sin embargo, al desconectar el enchufe, la memoria se pierde y el dispositivo vuelve a los ajustes predeterminados.
- Debido a los cambios diarios de temperatura ambiente, el volumen de agua puede variar entre -15 % y +15 %.

TERMOSTATO

El aparato cuenta con un termostato incorporado que apaga automáticamente el aparato en caso de sobrecalentamiento o funcionamiento anormal.

Si el aparato se calienta demasiado (sobrecalentamiento), el termostato y el fusible se activan y detienen el funcionamiento. Déjelo enfriar durante aproximadamente 30 minutos; el fusible se restablecerá automáticamente. Luego podrá volver a utilizar el aparato. Si el aparato no funciona con normalidad después de enfriarse, se recomienda restablecer manualmente el fusible del termostato introduciendo la llave de reinicio en el pequeño orificio de reinicio hasta escuchar un clic. Use la llave de reinicio para esta acción.

Llave de reinicio



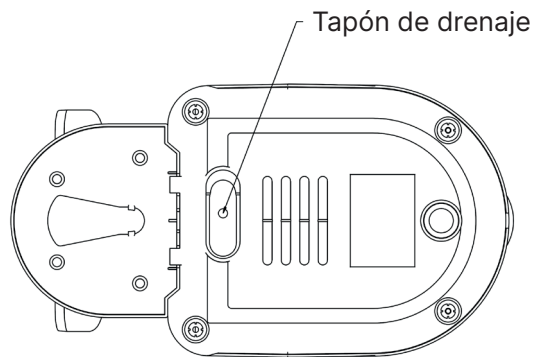
Orificio de reinicio

TAPÓN DE DRENAJE

Si el aparato no se va a utilizar durante un largo período de tiempo, límpielo y retire el agua residual.

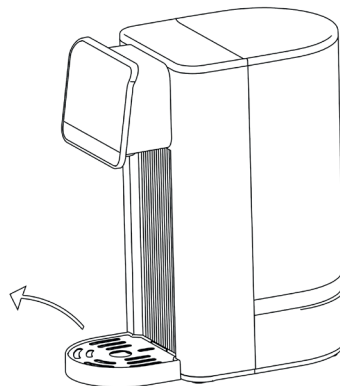
Extraiga suavemente el tapón de drenaje para que el agua residual pueda salir. Una vez eliminada toda el agua, vuelva a colocar el tapón de drenaje en su posición original y asegúrese de que quede bien ajustado.

Nota: si se produce alguna fuga de agua después de llenar el depósito, verifique que el tapón de drenaje esté correctamente apretado.



BANDEJA RECOGEGOTAS

Cuando la bandeja recogegotas esté llena, sujete y estabilice el aparato con una mano y con la otra levante ligeramente la bandeja para retirarla. Vacíe la bandeja y vuelva a colocarla con una ligera presión en su sitio original.



LIMPIEZA Y MANTENIMIENTO

- Desenchufe el aparato y deje que se enfríe completamente.
- Nunca sumerja el aparato en agua ni en ningún otro líquido.
- Limpie el aparato después de cada uso.
- Limpie la carcasa y el interior con un paño húmedo.
- ¡No utilice detergentes en el depósito de agua!
- No utilice nunca productos de limpieza agresivos o abrasivos, estropajos o lana de acero; podrían dañar el aparato.
- Seque bien el aparato.
- Guarde el aparato en un lugar seco.
- Manipule siempre el aparato con cuidado; no lo coloque en el borde de una mesa o encimera para evitar daños por caídas accidentales.
- Si no va a utilizar el aparato durante mucho tiempo, desenchúfelo, límpielo y vuelva a colocarlo en su embalaje original para evitar que los componentes eléctricos se humedezcan o se dañen.

SOLUCIÓN DE PROBLEMAS

Pantalla muestra E7	Falta de agua	Llenar el depósito hasta el nivel MAX
Pantalla muestra E4	Circuito abierto en el sensor de temperatura	Enviar el aparato al centro de servicio local para comprobar o reemplazar el sensor de temperatura
Pantalla muestra E5	Cortocircuito eléctrico en el sensor de temperatura	Enviar el aparato al centro de servicio local para comprobar o reemplazar el sensor de temperatura
Pantalla muestra E8	Problema con la bomba de agua	Enviar el aparato al centro de servicio local para comprobar o reemplazar la bomba de agua
Fuga de agua	El tapón de drenaje está suelto	Apriete el tapón de drenaje en la parte inferior

ALMACENAMIENTO Y TRANSPORTE

- Antes de almacenar el aparato, debe limpiarse de acuerdo con este manual de usuario. El aparato debe guardarse en su embalaje original.
- Guarde siempre el aparato en un lugar seco y bien ventilado, fuera del alcance de los niños.
- Proteja el aparato contra vibraciones y golpes durante el transporte.

ESPECIFICACIONES TÉCNICAS

Voltaje: 220 - 240 V ~ 50/60Hz

Potencia: 2200 - 2600 vatios

Ajustes de temperatura: temperatura ambiente, 40°C, 50°C, 60°C, 70°C, 80°C, 90°C, 100°C.

Ajustes de volumen: 150ml, 250ml, 350ml, 500ml, flujo continuo

INSTRUCTIONS FOR THE PROTECTION OF THE ENVIROMENT

(WEEE, the waste electrical and electronic equipment directive)



Your product has been manufactured from high quality materials and components which can be recycled and used again. At the end of its life, this product can not be disposed of in normal domestic waste, but must be taken to a special collection point for the recycling of electrical and electronic equipment. The waste container marked with a cross symbol on the item, in the user manual and on the packaging informs you of this. The raw materials used are suitable for recycling.

By recycling used appliances or raw materials you are making an important contribution to the protection of our environment. You can find out the location of your nearest collection point from your local council.

DECLARACIÓN UE DE CONFORMIDAD

Nosotros,

Elmarc B.V.
Kolenbranderstraat 28, 2984 AT Ridderkerk,
Países Bajos

declaramos bajo nuestra exclusiva responsabilidad que el producto:

- Marca del producto: SEEGER
- Número de modelo: SGR1150BK
- Descripción del producto: Hervidor instantáneo de agua
- Datos del producto:

Entrada: 220 – 240 V~, 50/60 Hz, Clase I

Salida: 2200 – 2600 W

cumple con las disposiciones de las siguientes directivas:

- Directiva de compatibilidad electromagnética (EMC): 2014/30/UE
- Directiva de baja tensión (LVD): 2014/35/UE
- Directiva de productos relacionados con la energía (ERP): 2009/125/CE
- Directiva sobre la restricción del uso de determinadas sustancias peligrosas en equipos eléctricos y electrónicos (RoHS): 2015/863 que modifica 2011/65/UE

Y con las normas a las que se declara la conformidad:

EMC:

- EN IEC 55014-1:2017
- EN IEC 55014-2:2015
- EN IEC 61000-3-2:2019+A1:2021+A2:2024
- EN 61000-3-3:2013+A1:2019+A2:2021

LVD:

- EN 60335-1:2012+A11:2014+A13:2017+A1:2019+A14:2019+A2:2019+A15:2021+A16:2023
- EN 60335-2-15:2016+A11:2018+A1:2021+A2:2021+A12:2021
- EN 62233:2008

ERP:

- UE 2023/826

Lugar: Países Bajos

Fecha de emisión: 22-08-2025

IMPORTANTI ISTRUZIONI DI SICUREZZA

Le seguenti precauzioni devono essere sempre rispettate prima di utilizzare l'erogatore di acqua calda istantanea, di seguito denominato «dispositivo»:

- Conservare queste istruzioni in un luogo sicuro e leggerle attentamente prima dell'uso. Si prega inoltre di consegnare questo manuale a un'altra persona nel caso in cui l'apparecchio venga ceduto.
- Utilizzare questo dispositivo esclusivamente in conformità con le istruzioni contenute in questo manuale.
- Questo dispositivo può essere utilizzato da bambini di età pari o superiore a 8 anni e da persone con capacità fisiche, sensoriali o mentali ridotte, o prive di esperienza e conoscenze, purché sotto supervisione o dopo adeguata istruzione sul suo uso sicuro da parte di una persona responsabile della loro sicurezza.
- I bambini non devono giocare con il dispositivo. La pulizia e la manutenzione non devono essere effettuate dai bambini, salvo che abbiano più di 8 anni e siano sotto supervisione.
- Questo dispositivo è destinato a un uso domestico o simile, non a un uso professionale.

Elettricità e calore

- Prima dell'uso, verificare che la tensione di rete corrisponda a quella indicata sulla targhetta del dispositivo.
- Assicurarsi che le mani siano asciutte prima di toccare il dispositivo, il cavo o la spina.
- Inserire la spina in una presa con messa a terra, sempre facilmente accessibile.
- Controllare regolarmente lo stato del cavo di alimentazione.
- Non utilizzare mai il dispositivo se il cavo è danneggiato, se è caduto o presenta segni di danneggiamento.
- Spegnerlo il dispositivo e rimuovere la spina se durante l'uso si riscontrano difetti, segni di danno, oppure quando non viene utilizzato o si procede alla pulizia.
- Assicurarsi che il cavo non possa essere calpestato né schiacciato.
- Non lasciare che il cavo penda su spigoli taglienti e tenerlo lontano da oggetti caldi e fiamme libere.
- Quando si collega il cavo, assicurarsi che non possa essere accidentalmente tirato o che qualcuno inciampi.
- Scollegare il dispositivo durante i temporali o se non viene utilizzato per lunghi periodi.
- Utilizzare un cavo da almeno 10 ampere se è necessaria una prolunga. Cavi con amperaggio inferiore possono surriscaldarsi.
- Se si utilizza una prolunga, assicurarsi che sia completamente srotolata.

Uso

- Non utilizzare il dispositivo vicino a materiali infiammabili.
- Non lasciare mai il dispositivo incustodito durante il funzionamento.
- Non toccare il beccuccio dell'acqua né l'acqua erogata mentre l'apparecchio è in funzione.
- Durante l'uso, non toccare né bloccare lo sfiato del vapore con le mani o con altri oggetti.
- Non aprire il coperchio del serbatoio dell'acqua in modo brusco, per evitare ustioni causate dal vapore caldo o eventuali malfunzionamenti.
- Non utilizzare mani o altre parti del corpo per verificare la temperatura o il vapore del dispositivo mentre è in funzione.
- Non utilizzare il dispositivo per riscaldare liquidi diversi dall'acqua.
- Non riempire il serbatoio oltre l'indicatore «MAX».

- Non utilizzare il dispositivo se il livello dell'acqua è inferiore a «MIN».
- Non far funzionare il dispositivo senza acqua o al di sotto del livello minimo, per evitare di danneggiare l'elemento riscaldante.
- Posizionare sempre il dispositivo su una superficie piana e stabile, dove non possa cadere o essere urtato accidentalmente, provocando ustioni.
- Non appoggiarsi al dispositivo.
- Non utilizzare il dispositivo capovolto.
- Non collocare il dispositivo in un armadio di disinfezione funzionante.
- Non utilizzare il dispositivo nel frigorifero o nel congelatore.
- Non spostare mai il dispositivo quando è acceso o ancora caldo. Spegnerlo prima e spostarlo solo dopo che si è raffreddato completamente.
- Pulire accuratamente il dispositivo dopo ogni utilizzo (vedere «pulizia e manutenzione»).
- Evitare luoghi soggetti a vibrazioni, freddo o umidità.
- Non esporre il dispositivo alla luce solare diretta, a fonti di calore, a umidità eccessiva o ad ambienti corrosivi.
- Non sottoporre il dispositivo a sollecitazioni meccaniche.
- Un uso improprio del dispositivo può danneggiarlo.
- Maneggiare il dispositivo con cura. Urti o cadute, anche da altezze ridotte, possono danneggiarlo.
- Non aprire l'involucro, poiché ciò potrebbe causare scosse elettriche.
- Non tentare di smontare, riparare o modificare il dispositivo in alcun modo.
- Il dispositivo deve essere riparato se è stato danneggiato in qualsiasi modo, ad esempio se il cavo o la spina sono difettosi, se vi sono caduti oggetti all'interno, se è stato esposto a pioggia o umidità, se è caduto o non funziona correttamente.
- Non utilizzare solventi abrasivi per pulire il dispositivo.
- Non introdurre oggetti estranei per pulire il dispositivo.
- Questo dispositivo può essere utilizzato da bambini di età pari o superiore a 8 anni e da persone con capacità fisiche, sensoriali o mentali ridotte o prive di esperienza e conoscenze, purché siano sotto supervisione o abbiano ricevuto istruzioni sull'uso sicuro del dispositivo e siano consapevoli dei rischi. I bambini non devono giocare con il dispositivo. La pulizia e la manutenzione non devono essere eseguite dai bambini, salvo che abbiano più di 8 anni e siano sotto supervisione.
- Utilizzare il dispositivo solo in ambienti interni, asciutti e non in prossimità di acqua, altri liquidi o umidità.
- Non utilizzare il dispositivo se esso, il cavo o la spina sono caduti in acqua o in qualsiasi altro liquido.
- Non immergere mai il dispositivo, il cavo o la spina in acqua o in altri liquidi.
- Non raccogliere il dispositivo se è caduto in acqua o in un liquido. Scollegarlo immediatamente dalla presa e non utilizzarlo più.
- Posizionare il dispositivo su una superficie piana e stabile, dove non possa ribaltarsi.
- Attenzione! L'acqua erogata è calda. Non toccarla per evitare di ustionarti.
- Il dispositivo è dotato di un sistema di sicurezza contro il surriscaldamento. Questo si attiva se la temperatura diventa troppo alta. In tal caso, lasciare raffreddare completamente il dispositivo prima di riutilizzarlo. Spegnerlo il dispositivo, scollegarlo dalla presa e attendere circa 30 minuti affinché si raffreddi.
- Scollegare il dispositivo dalla presa se non viene utilizzato per lunghi periodi.
- Quando si scollega l'apparecchio, tirare sempre la spina e non il cavo.
- Non utilizzare il dispositivo con un timer esterno o un sistema di controllo remoto separato.

AVVERTENZE



L'acqua erogata dall'apparecchio è calda.
Non toccarla per evitare ustioni.



AVVERTENZA! Il materiale di imballaggio non è un giocattolo. Non lasciare l'imballaggio incustodito: può diventare un oggetto pericoloso per i bambini. Rischio di soffocamento!



AVVERTENZA! Non coprire mai la spina o il cavo di alimentazione con tessuti, tende o altri materiali per evitare il surriscaldamento e possibili rischi di incendio.



AVVERTENZA! Per ridurre il rischio di incendio o scosse elettriche, proteggere l'apparecchio da gocce o spruzzi d'acqua e tenerlo lontano da oggetti pieni di liquidi, come i vasi. Questi oggetti non devono essere posizionati sopra o vicino all'apparecchio.

DESCRIZIONE DEL PRODOTTO

CONTENUTO DELLA CONFEZIONE

- Dispenser di acqua calda istantanea
- Manuale d'istruzioni
- Chiave di reset
- Filtro dell'acqua, box filtro (opzionale)

INSTALLAZIONE E UTILIZZO DELL'APPARECCHIO

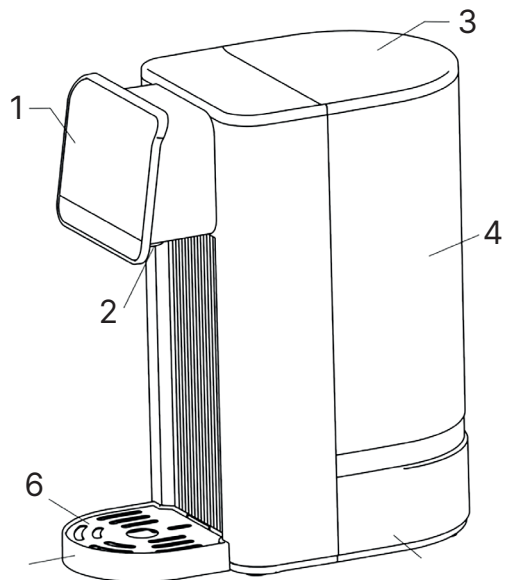
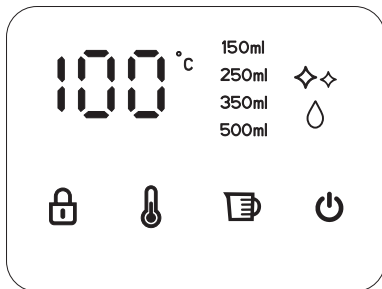
Aprire con cautela l'imballaggio prima di estrarre l'apparecchio.

Assicurarsi che l'apparecchio sia completo e non danneggiato.

Se mancano componenti o sono danneggiati, contattare il rivenditore e non utilizzare il prodotto. Conservare l'imballaggio o riciclarlo secondo le normative locali.

PARTI E CARATTERISTICHE

1. Display
2. Beccuccio di erogazione
3. Coperchio del serbatoio dell'acqua
4. Serbatoio dell'acqua
5. Copertura inferiore
6. Piastra raccogli gocce
7. Vassoio raccogli gocce





DETTAGLI DEL DISPLAY

Pulsante di blocco : tenere premuto il pulsante di blocco per 2 secondi per sbloccare.


Se non viene premuto alcun tasto entro 10-15 secondi, il pannello torna automaticamente in modalità blocco.

L'utente può anche bloccare il pannello premendo di nuovo il pulsante di blocco.

Pulsante di temperatura : premere per impostare la temperatura desiderata (40°C, 50°C, 60°C, 70°C, 80°C, 90°C, 100°C o 00 (acqua a temperatura ambiente)).

Pulsante di volume : premere per impostare il volume d'acqua (150 ml, 250 ml, 350 ml, 500 ml).


Premere il pulsante di accensione/spegnimento; l'acqua inizierà a fuoriuscire. Quando si raggiunge la quantità d'acqua desiderata, l'apparecchio si interrompe immediatamente.

Pulsante On/Off : premere il pulsante On/Off, l'acqua scorrerà continuamente dal beccuccio. Una volta ottenuta la quantità desiderata, l'apparecchio si interrompe immediatamente.

DECALCIFICARE

Quando il tempo di utilizzo raggiunge un totale di 10 ore, la spia di decalcificazione ✧✧ lampeggia sul display per ricordare la necessità di pulire l'apparecchio. Tenere premuto il pulsante della temperatura per circa 3 secondi per avviare la procedura di decalcificazione. È possibile aggiungere un po' di acido citrico o aceto all'acqua in una proporzione di 1:100. Questo aiuta a decalcificare l'apparecchio. Inoltre, riempire il serbatoio dell'acqua fino al livello massimo e lasciare erogare l'acqua finché il serbatoio non è vuoto. Una volta svuotato tutto il serbatoio, il processo di decalcificazione è completato e la spia si spegne.

MANCANZA D'ACQUA

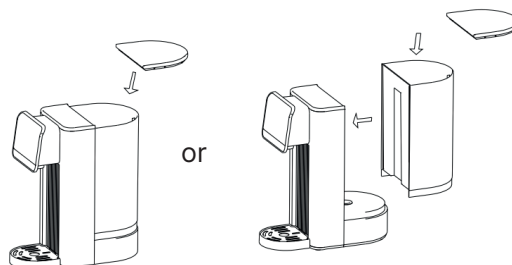
Quando il livello dell'acqua nel serbatoio scende sotto MIN, sul display compaiono E7 e l'indicazione Lack of water  lampeggia per ricordare di riempire il serbatoio.

PREPARAZIONE ALL'USO

- Rimuovere l'apparecchio e gli accessori dalla confezione. Eliminare eventuali etichette, pellicole protettive o plastica dall'apparecchio.
- Assicurarsi che la spina sia scollegata dalla presa di corrente.
- Prima del primo utilizzo, pulire tutte le parti rimovibili con un panno umido. Non utilizzare mai detersivi aggressivi o abrasivi, spugne abrasive o lana d'acciaio; ciò potrebbe danneggiare l'apparecchio.
- Pulire il serbatoio dell'acqua prima del primo utilizzo. Riempire il serbatoio con acqua pulita, svuotarlo capovolgendo l'apparecchio e asciugare il vano del serbatoio con un panno asciutto. Ripetere questi passaggi circa 3 volte.
- Non utilizzare detersivi nel serbatoio dell'acqua!
- Posizionare l'apparecchio su una superficie piana e stabile, dove non possa ribaltarsi.
- Collegare l'apparecchio alla rete elettrica.
- L'apparecchio è ora pronto per l'uso.

ISTRUZIONI PER L'USO

- Posizionare l'apparecchio su una superficie piana e stabile, in un luogo dove non possa cadere.
- È possibile riempire il serbatoio estraendolo oppure aggiungere acqua direttamente senza rimuoverlo dall'unità principale.



- Rimuovere il coperchio del serbatoio dell'acqua e riempirlo con acqua pulita. Assicurarsi che il livello dell'acqua sia sempre al di sopra della tacca «MIN» e non superi la tacca «MAX».
Suggerimento: si consiglia di utilizzare acqua purgata nell'apparecchio.
- NON riempire il serbatoio con acqua a temperatura superiore a 40°C.
- Nel serbatoio, sopra l'indicazione «MAX», ci sono dei fori che permettono la fuoriuscita dell'acqua in caso di riempimento eccessivo e impediscono la formazione di vuoto nel compartimento.
- Chiudere il serbatoio rimettendo il coperchio.
- Posizionare la tazza sul vassoio raccogliogocce rimovibile e assicurarsi che sia allineata con il beccuccio di erogazione.
- Tenere premuto il pulsante di blocco per sbloccare il pannello di controllo. Selezionare la temperatura e il volume desiderati. Premere quindi il pulsante On/Off.
- Dopo circa 5-10 secondi, l'apparecchio inizia a erogare acqua. L'utente può premere il pulsante On/Off per interrompere l'erogazione.
- Attenzione: Evitare ustioni. Non toccare l'acqua bollita né il vapore caldo per prevenire ustioni o lesioni.
- Se l'apparecchio smette di funzionare ed emette un segnale acustico, significa che manca l'acqua. Riempire subito il serbatoio con acqua fredda.
- Il dispositivo può memorizzare in qualsiasi momento l'ultima modalità di funzionamento. Tuttavia, quando si scollega la spina, la memoria viene persa e il dispositivo torna alle impostazioni standard.
- Poiché la temperatura ambiente varia ogni giorno, il volume d'acqua può oscillare tra -15% e +15%.

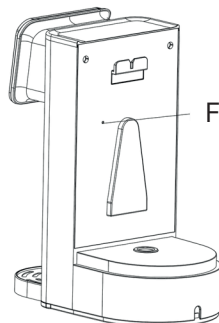
TERMOSTATO

L'apparecchio è dotato di un termostato integrato che lo spegne automaticamente in caso di surriscaldamento o funzionamento anomalo.

Se l'apparecchio diventa troppo caldo (surriscaldamento), il termostato e il fusibile si attivano interrompendo il funzionamento. Lasciarlo raffreddare per circa 30 minuti; il fusibile si ripristina automaticamente. L'apparecchio può quindi essere riutilizzato.

Se l'apparecchio non funziona correttamente dopo il raffreddamento, si consiglia di ripristinare manualmente il fusibile del termostato inserendo la chiave di reset nell'apposito foro fino a sentire un «clic». Utilizzare esclusivamente la chiave di reset per questa operazione.

Chiave di reset



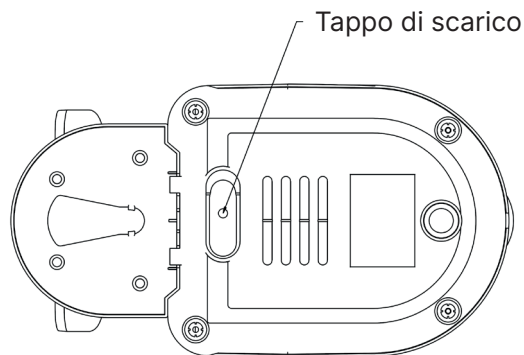
Foro di reset

TAPPO DI SCARICO

Se l'apparecchio non deve essere utilizzato per un lungo periodo di tempo, pulirlo e rimuovere l'acqua di scarico.

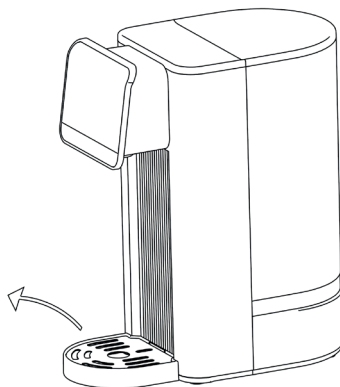
Estrarre delicatamente il tappo di scarico in modo che l'acqua residua possa defluire. Una volta rimossa tutta l'acqua, reinserire il tappo nella posizione originale e assicurarsi che sia ben fissato.

Nota: in caso di perdite d'acqua dopo aver riempito il serbatoio, controllare che il tappo di scarico sia correttamente serrato.



VASSOIO RACCOGLIGOCCE

Quando il vassoio raccogli gocce è pieno, tenere fermo l'apparecchio con una mano e sollevare leggermente il vassoio con l'altra mano per rimuoverlo. Svuotare il vassoio e reinserirlo nella sua posizione originale esercitando una leggera pressione.



PULIZIA E MANUTENZIONE

- Scollegare la spina dalla presa di corrente e lasciare raffreddare completamente l'apparecchio.
- Non immergere mai l'apparecchio in acqua o in altri liquidi.
- Pulire l'apparecchio dopo ogni utilizzo.
- Pulire l'involucro e l'interno con un panno umido.
- Non utilizzare detersivi nel serbatoio dell'acqua!
- Non utilizzare mai detersivi aggressivi o abrasivi, spugne abrasive o lana d'acciaio; potrebbero danneggiare l'apparecchio.
- Asciugare accuratamente l'apparecchio.
- Conservare l'apparecchio in un luogo asciutto.
- Maneggiare sempre l'apparecchio con cura; non posizionarlo sul bordo di un tavolo o di un piano di lavoro per evitare deformazioni o danni in caso di caduta accidentale.
- Se non si utilizza l'apparecchio per lungo tempo, scollegarlo, pulirlo e riporlo nella confezione originale per evitare che i componenti elettrici si inumidiscano o si danneggino.

RISOLUZIONE DEI PROBLEMI

Display mostra E7	Mancanza di acqua	Riempire il serbatoio fino al livello MAX
Display mostra E4	Circuito aperto del sensore di temperatura	Portare l'apparecchio al centro di assistenza locale per controllare o sostituire il sensore di temperatura
Display mostra E5	Cortocircuito elettrico del sensore di temperatura	Portare l'apparecchio al centro di assistenza locale per controllare o sostituire il sensore di temperatura
Display mostra E8	Problema con la pompa dell'acqua	Portare l'apparecchio al centro di assistenza locale per controllare o sostituire la pompa dell'acqua
Perdita d'acqua	Il tappo di scarico è allentato	Serrare bene il tappo di scarico sul fondo

STOCCAGGIO E TRASPORTO

- Prima di riporre l'apparecchio, pulirlo seguendo le istruzioni di questo manuale d'uso. L'apparecchio deve essere conservato nel suo imballaggio originale.
- Conservare sempre l'apparecchio in un luogo asciutto e ben ventilato, fuori dalla portata dei bambini.
- Proteggere l'apparecchio da vibrazioni e urti durante il trasporto.

SPECIFICHE TECNICHE

Tensione: 220 - 240 V ~ 50/60Hz

Potenza: 2200 - 2600 Watts

Impostazioni di temperatura: temperatura ambiente, 40°C, 50°C, 60°C, 70°C, 80°C, 90°C, 100°C.

Impostazioni di volume: 150ml, 250ml, 350ml, 500ml, flusso continuo

INSTRUCTIONS FOR THE PROTECTION OF THE ENVIROMENT

(WEEE, the waste electrical and electronic equipment directive)



Your product has been manufactured from high quality materials and components which can be recycled and used again. At the end of its life, this product can not be disposed of in normal domestic waste, but must be taken to a special collection point for the recycling of electrical and electronic equipment. The waste container marked with a cross symbol on the item, in the user manual and on the packaging informs you of this. The raw materials used are suitable for recycling.

By recycling used appliances or raw materials you are making an important contribution to the protection of our environment. You can find out the location of your nearest collection point from your local council.

DICHIARAZIONE UE DI CONFORMITÀ

Noi,

Elmarc B.V.
Kolenbranderstraat 28, 2984 AT Ridderkerk,
Paesi Bassi

dichiariamo sotto la nostra esclusiva responsabilità che il prodotto:

- Marca del prodotto: SEEGER
- Numero di modello: SGR1150BK
- Descrizione del prodotto: Bollitore istantaneo per acqua
- Dati del prodotto:

Ingresso: 220 – 240 V~, 50/60 Hz, Classe I

Uscita: 2200 – 2600 W

è conforme alle disposizioni delle seguenti direttive:

- Direttiva sulla compatibilità elettromagnetica (EMC): 2014/30/UE
- Direttiva bassa tensione (LVD): 2014/35/UE
- Direttiva sui prodotti connessi all'energia (ERP): 2009/125/CE
- Direttiva sulla restrizione dell'uso di determinate sostanze pericolose nelle apparecchiature elettriche ed elettroniche (RoHS): 2015/863 che modifica la 2011/65/UE

E agli standard ai quali si dichiara la conformità:

EMC:

- EN IEC 55014-1:2017
- EN IEC 55014-2:2015
- EN IEC 61000-3-2:2019+A1:2021+A2:2024
- EN 61000-3-3:2013+A1:2019+A2:2021

LVD:

- EN 60335-1:2012+A11:2014+A13:2017+A1:2019+A14:2019+A2:2019+A15:2021+A16:2023
- EN 60335-2-15:2016+A11:2018+A1:2021+A2:2021+A12:2021
- EN 62233:2008

ERP:

- UE 2023/826

Luogo: Paesi Bassi

Data di emissione: 22-08-2025

VIKTIGA SÄKERHETSINSTRUKTIONER

Följande försiktighetsåtgärder måste alltid iakttas innan du använder den instantana varmvattenberedaren, nedan kallad "apparaten":

- Spara dessa instruktioner på ett säkert ställe och läs dem noggrant innan användning. Vidarebefordra även denna bruksanvisning till någon annan om apparaten lämnas över till dem.
- Använd apparaten endast i enlighet med instruktionerna i denna manual.
- Denna apparat kan användas av barn från 8 år och uppåt samt av personer med begränsade fysiska, sensoriska eller mentala förmågor eller med bristande erfarenhet och kunskap, förutsatt att de övervakas eller har fått instruktioner om hur apparaten används på ett säkert sätt av en person som ansvarar för deras säkerhet.
- Barn får inte leka med apparaten. Rengöring och underhåll får inte utföras av barn, om de inte är äldre än 8 år och står under tillsyn.
- Denna apparat är avsedd för hushållsbruk eller liknande användning, inte för professionellt bruk.

El och värme

- Kontrollera före användning att nätspänningen överensstämmer med den som anges på apparatens märkskylt.
- Se till att händerna är torra innan du rör vid apparaten, nätsladden eller stickkontakten.
- Anslut stickkontakten till ett jordat uttag som alltid är lättillgängligt.
- Kontrollera regelbundet nätsladden för eventuella skador.
- Använd aldrig apparaten om nätsladden är skadad, om apparaten har fallit i golvet eller om den visar tecken på skada.
- Stäng AV apparaten och dra ur stickkontakten om du upptäcker fel under användning, ser skador, inte använder apparaten eller ska rengöra den.
- Se till att sladden inte kan trampas på eller klämmas.
- Låt inte sladden hänga över vassa kanter och håll den borta från heta föremål och öppna lågor.
- När du ansluter sladden, se till att ingen kan dra i den av misstag eller snubbla över den.
- Dra ur stickkontakten under åskväder eller om apparaten inte används under en längre tid.
- Använd en förlängningssladd på minst 10 ampere om det behövs. Kablar med lägre kapacitet kan överhettas.
- Om en förlängningssladd används, se till att den är helt utrullad.

Användning

- Använd inte apparaten i närheten av brandfarliga material.
- Lämna aldrig apparaten obevakad när den används.
- Rör inte vid vattentankens utlopp eller det utdelade vattnet under drift.
- Under användning får du inte röra vid eller blockera ångutloppet med handen eller något annat föremål.
- Öppna inte locket till vattentanken hastigt för att undvika brännskador från het ånga eller eventuella funktionsfel.
- Använd inte händer eller andra kroppsdelar för att känna på temperaturen eller ångan från apparaten medan den är i drift.
- Använd inte apparaten för att värma annat än vatten.
- Fyll inte vattentanken över markeringen "MAX".
- Använd inte apparaten om vattennivån är under "MIN".
- Använd inte apparaten utan vatten eller under miniminivån, för att undvika skador

på värmeelementet.

- Placera alltid apparaten på en plan och stabil yta, där den inte kan välta eller knuffas omkull, vilket kan orsaka brännskador.
- Luta dig inte mot apparaten.
- Använd inte apparaten upp och ner.
- Placera inte apparaten i ett desinfektionsskåp i drift.
- Använd inte apparaten i kylskåp eller frys.
- Flytta aldrig apparaten när den är påslagen eller fortfarande varm. Stäng först av den och flytta den endast när den har svalnat.
- Rengör apparaten noggrant efter varje användning (se "rengöring och underhåll").
- Undvik att placera apparaten på platser som utsätts för vibrationer, kyla eller fukt.
- Utsätt inte apparaten för direkt solljus, värmekällor, hög luftfuktighet eller korrosiva miljöer.
- Utsätt inte apparaten för mekanisk belastning.
- Felaktig användning kan skada apparaten.
- Hantera apparaten varsamt. Stötar eller fall, även från låg höjd, kan skada den.
- Öppna inte höljet, eftersom detta kan orsaka elektriska stötar.
- Försök inte att demontera, reparera eller modifiera apparaten på något sätt.
- Apparaten måste repareras om den har blivit skadad på något sätt, t.ex. om sladd eller kontakt är skadade, om föremål har fallit in i den, om den har utsatts för regn eller fukt, om den har tappats eller om den inte fungerar korrekt.
- Använd inte slipande rengöringsmedel för att rengöra apparaten.
- Använd inte främmande föremål för att rengöra apparaten.
- Denna apparat kan användas av barn från 8 år och uppåt samt av personer med begränsade fysiska, sensoriska eller mentala förmågor eller bristande erfarenhet och kunskap, förutsatt att de övervakas eller har fått instruktioner om säker användning och är medvetna om riskerna. Barn får inte leka med apparaten. Rengöring och underhåll får inte utföras av barn om de inte är äldre än 8 år och under tillsyn.
- Använd apparaten endast inomhus, i torra utrymmen och inte i närheten av vatten, andra vätskor eller fukt.
- Använd inte apparaten om den, sladden eller kontakten har fallit i vatten eller någon annan vätska.
- Sänk aldrig ner apparaten, sladden eller kontakten i vatten eller någon annan vätska.
- Plocka inte upp apparaten om den har fallit i vatten eller vätska. Dra omedelbart ur stickkontakten och använd den aldrig igen.
- Placera apparaten på en plan och stabil yta, där den inte kan välta.
- Varning! Det utdelade vattnet är hett. Rör det inte för att undvika brännskador.
- Apparaten är utrustad med ett överhettningsskydd. Detta aktiveras om temperaturen blir för hög. I så fall måste apparaten svalna helt innan den kan användas igen. Stäng av apparaten, dra ur kontakten och låt den svalna i cirka 30 minuter.
- Dra ur stickkontakten om apparaten inte används under en längre tid.
- När du drar ur kontakten, dra alltid i själva kontakten och inte i sladden.
- Använd inte apparaten med en extern timer eller ett separat fjärrstyrningssystem.

VARNINGAR



Vattnet som tappas från apparaten är hett.
Rör det inte för att undvika brännskador.



VARNING! Förpackningsmaterialet är inte en leksak. Lämna inte förpackningen liggande utan uppsikt. Det kan bli ett farligt lekmaterial för barn. Kvävningsrisk!



VARNING! Täck aldrig nätkontakten eller kabeln med dukar, gardiner eller något annat material för att undvika överhettning och risk för brand.



VARNING! För att minska risken för brand eller elektrisk stöt, skydda apparaten mot droppande eller stänkande vatten och håll den borta från föremål fyllda med vätskor, såsom vaser. Dessa föremål får inte placeras på eller i närheten av apparaten.

PRODUKTBESKRIVNING

FÖRPACKNINGENS INNEHÅLL

- Snabb varmvattenberedare
- Bruksanvisning
- Återställningsnyckel
- Vattenfilter, filterbox (tillval)

INSTALLATION OCH ANVÄNDNING AV APPARATEN

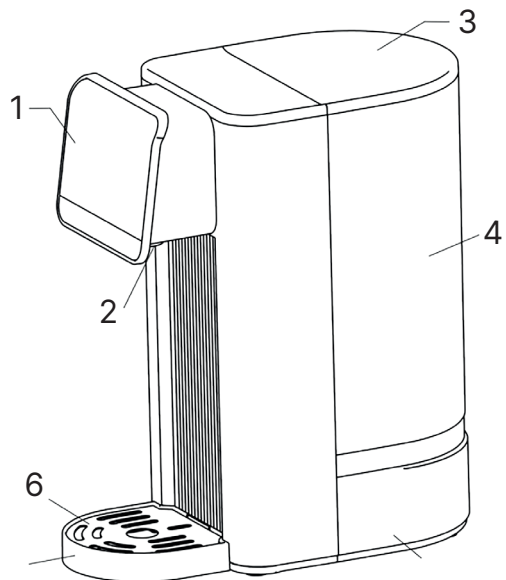
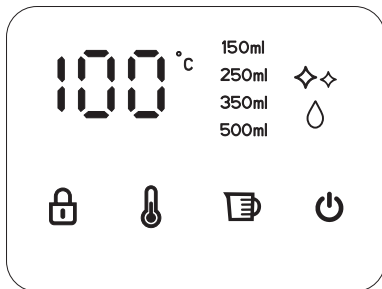
Öppna förpackningen försiktigt innan du tar ut apparaten.

Kontrollera att apparaten är komplett och oskadad.

Om några delar saknas eller är skadade, kontakta återförsäljaren och använd inte produkten. Behåll förpackningen eller återvinn den enligt lokala bestämmelser.

DELAR & FUNKTIONER


1. Display
2. Vattenutlopp
3. Lock till vattentanken
4. Vattentank
5. Bottenplatta
6. Droppskiva
7. Droppbricka





DISPLAYDETALJER

Låsknapp : håll låsknappen intryckt i 2 sekunder för att låsa upp.

Om ingen knapp trycks inom 10–15 sekunder går panelen automatiskt tillbaka till låst läge. Användaren kan också låsa panelen genom att trycka på låsknappen igen.

Temperaturknapp : tryck för att ställa in önskad temperatur (40°C, 50°C, 60°C, 70°C, 80°C, 90°C, 100°C eller 00 (rumstempererat vatten)).

Volymknapp : tryck för att ställa in önskad vattenvolym (150 ml, 250 ml, 350 ml, 500 ml). Tryck på av/på-knappen; därefter börjar vatten rinna ut. När önskad mängd vatten har uppnåtts, stannar apparaten omedelbart.

På/Av-knapp : tryck på På/Av-knappen; vatten rinner kontinuerligt från utloppet. När du fått önskad mängd vatten, stannar apparaten direkt.

AVKALKKA

När den totala användningstiden har nått 10 timmar börjar avkalkningslampan ✧✧ blinka på displayen för att påminna dig om att apparaten behöver rengöras. Håll ned temperaturnappen i cirka 3 sekunder för att starta avkalkningsproceduren. Du kan tillsätta lite citronsyra eller vinäger i vattnet i ett förhållande på 1:100. Detta hjälper till att avkalkka apparaten. Fyll dessutom vattentanken till maxnivån och låt vattnet rinna tills tanken är tom. När allt vatten i tanken har tappats ut är avkalkningen klar och lampan släcks.

VATTENBRIST

När vattennivån i tanken är lägre än MIN-nivån visas E7 och indikatorn Lack of water blinkar på displayen som en påminnelse att fylla på vatten i tanken.

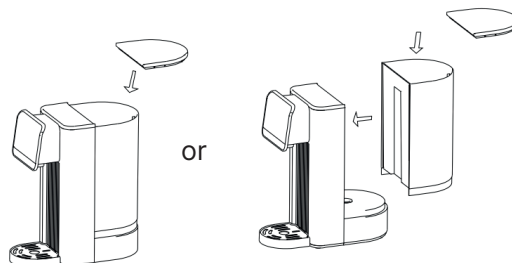


FÖRBEREDELSE FÖR ANVÄNDNING

- Ta ut apparaten och tillbehören ur kartongen. Ta bort eventuella etiketter, skyddsfilm eller plast från apparaten.
- Kontrollera att stickkontakten är utdragen ur eluttaget.
- Innan första användningen, torka av alla löstagbara delar med en fuktig trasa. Använd aldrig aggressiva eller slipande rengöringsmedel, skursvampar eller stålull; detta kan skada apparaten.
- Rengör vattentanken före första användningen. Fyll tanken med rent vatten, töm den genom att vända apparaten och torka tankutrymmet med en torr trasa. Upprepa dessa steg cirka 3 gånger.
- Använd inte diskmedel i vattentanken!
- Placera apparaten på en plan och stabil yta där den inte kan välta.
- Anslut apparaten till elnätet.
- Apparaten är nu klar för användning.

BRUKSANVISNING

- Placera apparaten på en plan och stabil yta, på en plats där den inte kan välta.
- Ta bort locket till vattentanken och fyll tanken med rent vatten. Kontrollera att vattennivån alltid ligger över markeringen «MIN» och inte över markeringen «MAX».
Tips: det rekommenderas att använda spolvatten i apparaten.
- Du kan fylla tanken genom att ta ut den eller genom att fylla på vatten direkt utan att ta bort den från huvudapparaten.



- FYLL INTE tanken med vatten som är varmare än 40°C.
- Det finns hål i tanken ovanför markeringen «MAX» som släpper ut vatten vid överfyllning och förhindrar att vakuüm bildas i tanken.
- Stäng vattentanken genom att sätta tillbaka locket.
- Placera din kopp på den avtagbara droppbrickan och se till att den är i linje med utloppet.
- Håll ned låsknappen för att låsa upp kontrollpanelen.
Välj önskad temperatur och volym. Tryck sedan på På/Av-knappen.
- Efter cirka 5–10 sekunder börjar apparaten att tappa upp vatten.
Användaren kan trycka på På/Av-knappen för att stoppa processen.
- Varning: Förebygg brännskador. Rör inte det kokta vattnet eller den heta ångan för att undvika brännskador eller skador.
- Om apparaten slutar fungera och avger en ljudsignal betyder det att det saknas vatten. Håll omedelbart kallt vatten i vattentanken för att fylla på.
- Enheten kan när som helst komma ihåg den senaste användningsmetoden.
När kontakten kopplas ur förloras dock minnet och enheten återgår till standardinställningarna.
- Eftersom rumstemperaturen varierar dagligen kan vattenvolymen avvika med -15 % till +15 %.

TERMOSTAT

Apparaten är utrustad med en inbyggd termostat som automatiskt stänger av apparaten vid överhettning eller onormal drift.

Om apparaten blir för varm (överhettning) aktiveras termostaten och säkringen, vilket stoppar funktionen. Låt apparaten svalna i cirka 30 minuter; säkringen återställs sedan automatiskt. Apparaten kan därefter användas igen.

Om apparaten inte fungerar normalt efter nedkyllning rekommenderas att säkringen återställs manuellt genom att trycka in återställningsnyckeln i det lilla återställningshålet tills du hör ett klick. Använd återställningsnyckeln för detta.

Återställningsnyckel

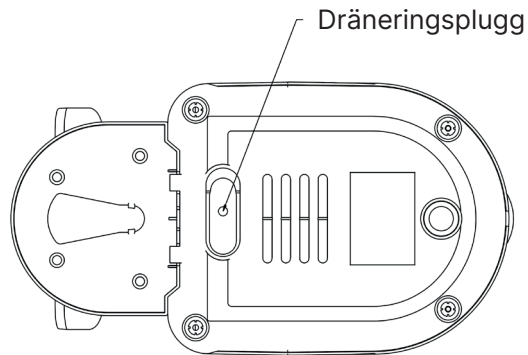


DRÄNERINGSPLUGG

Om apparaten inte ska användas under en längre tid, rengör den och ta bort spillvattnet. Dra försiktigt ut dräneringspluggen så att spillvattnet kan rinna ut.

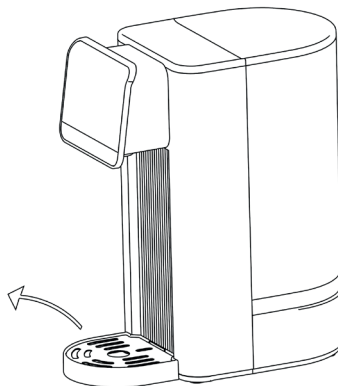
När allt spillvatten har tömts, sätt tillbaka dräneringspluggen i ursprungligt läge och se till att den sitter ordentligt fast.

Observera! Om vatten läcker ut efter att tanken fyllts, kontrollera att dräneringspluggen är ordentligt fastsatt.



DROPPBRICKA

När droppbrickan är full, håll apparaten stadigt med ena handen och lyft försiktigt droppbrickan med den andra för att ta bort den. Töm brickan och sätt tillbaka den på plats med lätt tryck.



RENGÖRING OCH UNDERHÅLL

- Dra ut stickkontakten ur vägguttaget och låt apparaten svalna helt.
- Sänk aldrig ner apparaten i vatten eller andra vätskor.
- Rengör apparaten efter varje användning.
- Torka av höljet och insidan med en fuktig trasa.
- Använd inte diskmedel i vattentanken!
- Använd aldrig aggressiva eller slipande rengöringsmedel, skursvampar eller stålull; detta kan skada apparaten.
- Torka apparaten noggrant.
- Förvara apparaten på en torr plats.
- Hantera alltid apparaten varsamt; placera den inte på kanten av ett bord eller en bänk för att undvika skador om den faller ner.
- Om apparaten inte används under en längre tid, dra ur kontakten, rengör den och placera den i originalförpackningen för att undvika att de elektriska komponenterna blir fuktiga eller skadas.

FELSÖKNING

Display visar E7	Vattennivån är för låg	Fyll vattentanken upp till MAX-nivån
Display visar E4	Avbrott i temperaturgivaren	Lämna apparaten till ett lokalt servicecenter för kontroll eller byte av temperaturgivaren
Display visar E5	Elektrisk kortslutning i temperaturgivaren	Lämna apparaten till ett lokalt servicecenter för kontroll eller byte av temperaturgivaren
Display visar E8	Problem med vattenpumpen	Lämna apparaten till ett lokalt servicecenter för kontroll eller byte av vattenpumpen
Vattenläckage	Dräneringspluggen är lös	Dra åt dräneringspluggen på undersidan

FÖRVARING & TRANSPORT

- Vid förvaring ska apparaten först rengöras enligt denna bruksanvisning. Apparaten ska förvaras i sin originalförpackning.
- Förvara alltid apparaten i ett torrt och välventilerat utrymme, utom räckhåll för barn.
- Skydda apparaten mot vibrationer och stötar under transport.

TEKNISKA SPECIFIKATIONER

Spänning: 220 - 240 V ~ 50/60Hz

Effekt: 2200 - 2600 Watt

Temperaturinställningar: rumstemperatur, 40°C, 50°C, 60°C, 70°C, 80°C, 90°C, 100°C.

Volyminställningar: 150ml, 250ml, 350ml, 500ml, kontinuerligt flöde

INSTRUCTIONS FOR THE PROTECTION OF THE ENVIROMENT

(WEEE, the waste electrical and electronic equipment directive)



Your product has been manufactured from high quality materials and components which can be recycled and used again. At the end of its life, this product can not be disposed of in normal domestic waste, but must be taken to a special collection point for the recycling of electrical and electronic equipment. The waste container marked with a cross symbol on the item, in the user manual and on the packaging informs you of this. The raw materials used are suitable for recycling.

By recycling used appliances or raw materials you are making an important contribution to the protection of our environment. You can find out the location of your nearest collection point from your local council.

EU-FÖRSÄKRAN OM ÖVERENSSTÄMMELSE

Vi,

Elmarc B.V.
Kolenbranderstraat 28, 2984 AT Ridderkerk,
Nederländerna

försäkrar härmed under vårt eget ansvar att produkten:

- Produktmärke: SEEGER
- Modellnummer: SGR1150BK
- Produktbeskrivning: Instant-vattenkokare
- Produktspecifikationer:
Ingång: 220 – 240 V~, 50/60 Hz, Klass I
Utgång: 2200 – 2600 W

uppfyller bestämmelserna i följande direktiv:

- Direktiv om elektromagnetisk kompatibilitet (EMC): 2014/30/EU
- Lågspänningsdirektivet (LVD): 2014/35/EU
- Direktiv om energirelaterade produkter (ERP): 2009/125/EG
- Direktiv om begränsning av användningen av vissa farliga ämnen i elektrisk och elektronisk utrustning (RoHS): 2015/863 som ändrar 2011/65/EU

Och standarder för vilka överensstämmelse har förklarats:

EMC:

- EN IEC 55014-1:2017
- EN IEC 55014-2:2015
- EN IEC 61000-3-2:2019+A1:2021+A2:2024
- EN 61000-3-3:2013+A1:2019+A2:2021

LVD:

- EN 60335-1:2012+A11:2014+A13:2017+A1:2019+A14:2019+A2:2019+A15:2021+A16:2023
- EN 60335-2-15:2016+A11:2018+A1:2021+A2:2021+A12:2021
- EN 62233:2008

ERP:

- EU 2023/826

Plats: Nederländerna

Utfärdandedatum: 22-08-2025

VIGTIGE SIKKERHEDSINSTRUKTIONER

Følgende forholdsregler skal altid overholdes, inden du bruger den instant-varmtvandsdispenser, herefter omtalt som "enheden":

- Opbevar disse instruktioner sikkert og læs dem grundigt, inden du tager enheden i brug. Giv også denne manual videre til en anden person, hvis apparatet overdrages til vedkommende.
- Brug kun enheden i overensstemmelse med anvisningerne i denne manual.
- Denne enhed kan bruges af børn fra 8 år og opefter samt af personer med nedsatte fysiske, sensoriske eller mentale evner eller manglende erfaring og viden, forudsat at de er under opsyn eller har fået instruktioner om sikker brug af enheden af en person, der er ansvarlig for deres sikkerhed.
- Børn må ikke lege med enheden. Rengøring og vedligeholdelse må ikke udføres af børn, medmindre de er over 8 år og under opsyn.
- Denne enhed er beregnet til husholdningsbrug eller lignende brug, ikke til professionel brug.

Elektricitet og varme

- Kontroller inden brug, at netspændingen svarer til den spænding, der er angivet på enhedens typeskilt.
- Sørg for, at dine hænder er tørre, inden du rører ved enheden, ledningen eller stikket.
- Sæt stikket i en jordet stikkontakt, som altid er let tilgængelig.
- Kontroller regelmæssigt ledningen for skader.
- Brug aldrig enheden, hvis ledningen er beskadiget, hvis enheden er faldet ned, eller hvis den viser tegn på skader.
- Sluk for enheden og tag stikket ud, hvis du opdager fejl under brug, ser tegn på skader, ikke bruger enheden eller skal rengøre den.
- Sørg for, at ledningen ikke kan blive trådt på eller klemt.
- Lad ikke ledningen hænge over skarpe kanter, og hold den væk fra varme genstande og åben ild.
- Når du tilslutter ledningen, skal du sørge for, at ingen kan trække den ud ved et uheld eller snuble over den.
- Tag stikket ud under tordenvejr eller hvis enheden ikke skal bruges i længere tid.
- Brug et kabel på mindst 10 ampere, hvis der kræves en forlængerledning. Kabler med lavere kapacitet kan overophedes.
- Sørg for, at en forlængerledning altid er helt rullet ud.

Brug

- Brug ikke enheden i nærheden af brandfarlige materialer.
- Lad aldrig enheden være uden opsyn under brug.
- Rør ikke ved vandudløbet eller det varme vand under brug.
- Rør eller blokér ikke dampudløbet med hånden eller andre genstande under brug.
- Åbn ikke låget til vandtanken hastigt for at undgå forbrændinger fra varm damp eller eventuelle funktionsfejl.
- Brug ikke hænder eller andre kropsdele til at teste temperaturen eller dampen fra enheden under drift.
- Brug ikke enheden til at opvarme andet end vand.
- Fyld ikke vandtanken over "MAX"-mærket.
- Brug ikke enheden, hvis vandstanden er under "MIN".
- Brug ikke enheden uden vand eller under minimumsniveauet for at undgå

at beskadige varmeelementet.

- Placer altid enheden på en plan og stabil overflade, hvor den ikke kan vælte eller blive skubbet omkuld, hvilket kan forårsage forbrændinger.
- Læn dig ikke op ad enheden.
- Brug ikke enheden på hovedet.
- Anbring ikke enheden i et fungerende desinfektionsskab.
- Brug ikke enheden i køleskab eller fryser.
- Flyt aldrig enheden, mens den er tændt eller stadig varm. Sluk den først, og flyt den kun, når den er afkølet.
- Rengør enheden grundigt efter brug (se "rengøring og vedligeholdelse").
- Undgå steder med vibrationer, kulde eller fugt.
- Udsæt ikke enheden for direkte sollys, varmekilder, overdreven fugt eller korrosive miljøer.
- Udsæt ikke enheden for mekanisk belastning.
- Forkert brug kan beskadige enheden.
- Håndter enheden med forsigtighed. Stød eller fald, selv fra lav højde, kan beskadige den.
- Åbn aldrig kabinettet, da dette kan medføre elektrisk stød.
- Forsøg ikke at skille enheden ad, reparere den eller ændre den på nogen måde.
- Enheden skal serviceres, hvis den på nogen måde er beskadiget, f.eks. hvis ledning/stik er beskadiget; hvis genstande er faldet ned i den; hvis den har været udsat for regn eller fugt; hvis den er tabt eller ikke fungerer korrekt.
- Brug ikke slibende rengøringsmidler til at rengøre enheden.
- Brug ikke fremmede genstande til at rengøre enheden.
- Denne enhed kan bruges af børn fra 8 år og opefter samt af personer med nedsatte fysiske, sensoriske eller mentale evner eller manglende erfaring og viden, forudsat at de er under opsyn eller har fået instruktioner i sikker brug og er bevidste om risiciene. Børn må ikke lege med enheden. Rengøring og vedligeholdelse må ikke udføres af børn, medmindre de er over 8 år og under opsyn.
- Brug kun enheden indendørs, i tørre områder og ikke i nærheden af vand, andre væsker eller fugt.
- Brug ikke enheden, hvis den, ledningen eller stikket er faldet i vand eller anden væske.
- Nedsænk aldrig enheden, ledningen eller stikket i vand eller anden væske.
- Løft ikke enheden op, hvis den er faldet i vand eller væske. Tag straks stikket ud, og brug den aldrig igen.
- Placer enheden på en plan og stabil overflade, hvor den ikke kan vælte.
- Advarsel! Det udleverede vand er varmt. Rør det ikke for at undgå forbrændinger.
- Enheden er udstyret med en overophedningssikring. Denne aktiveres, hvis temperaturen bliver for høj. I så fald skal enheden køle helt ned, før den kan bruges igen. Sluk enheden, tag stikket ud, og lad den køle af i ca. 30 minutter.
- Tag stikket ud af kontakten, hvis enheden ikke bruges i længere tid.
- Når du trækker stikket ud, skal du altid tage fat i selve stikket og ikke i ledningen.
- Brug ikke enheden med en ekstern timer eller et separat fjernstyringssystem.

ADVARSLER



Vandet, der tappes fra enheden, er varmt.
Rør det ikke for at undgå forbrændinger.



ADVARSEL! Emballagematerialet er ikke legetøj. Lad ikke emballagen ligge og flyde. Det kan blive farligt legetøj for børn. Kvælningsfare!



ADVARSEL! Dæk aldrig netstikket eller ledningen med klude, gardiner eller andet materiale for at undgå overophedning og mulig brandfare.



ADVARSEL! For at reducere risikoen for brand eller elektrisk stød skal enheden beskyttes mod dryppende eller sprøjtende vand og holdes væk fra genstande fyldt med væske, såsom vaser. Disse genstande må ikke placeres på eller i nærheden af enheden.

PRODUKTBESKRIVELSE

PAKKENS INDHOLD

- Instant varmtvandsdispenser
- Brugsanvisning
- Reset-nøgle
- Vandfilter, filterboks (valgfrit)

INSTALLATION OG BRUG AF ENHEDEN

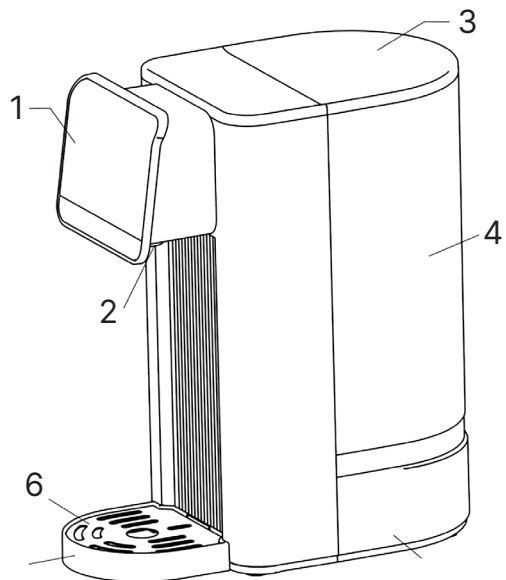
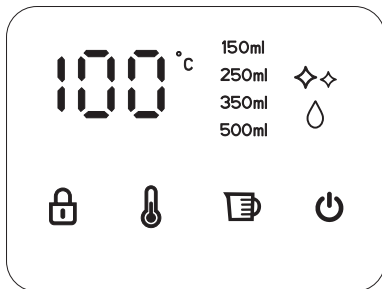
Åbn emballagen forsigtigt, før du tager enheden ud.

Kontroller, at enheden er komplet og ubeskadiget.

Hvis der mangler komponenter, eller hvis de er beskadigede, skal du kontakte forhandleren og ikke bruge produktet. Behold emballagen eller aflever den til genbrug i henhold til lokale regler.

DELE & FUNKTIONER

1. Display
2. Vandudløb
3. Låg til vandtank
4. Vandtank
5. Bunddæksel
6. Drypplade
7. Drypbakke





DISPLAYDETALJER

Låseknop  : hold låseknappen nede i 2 sekunder for at låse op.


Hvis der ikke trykkes på nogen knapper inden for 10–15 sekunder, går panelet automatisk tilbage til låsetilstand.

Brugeren kan også låse panelet ved at trykke på låseknappen igen.

Temperaturknop  : tryk for at indstille den ønskede temperatur (40°C, 50°C, 60°C, 70°C, 80°C, 90°C, 100°C eller 00 (stuetemperaturvand)).

Volumenknop  : tryk for at indstille den ønskede vandmængde (150 ml, 250 ml, 350 ml, 500 ml).

Tryk på tænd/sluk-knappen; vandet vil derefter begynde at løbe. Når den ønskede mængde vand er nået, stopper apparatet med det samme.

Tænd/Sluk-knap  : tryk på tænd/sluk-knappen, og vandet vil løbe kontinuerligt fra udløbet. Når du har fået den ønskede mængde vand, stopper enheden straks.

AFKALKE

Når den samlede brugstid har nået 10 timer, begynder afkalkningsindikatoren ✧✧ at blinke på displayet for at minde om, at apparatet skal rengøres. Hold temperaturknappen nede i ca. 3 sekunder for at starte afkalkningsproceduren. Du kan tilsætte lidt citronsyre eller eddike til vandet i et forhold på 1:100. Dette hjælper med at afkalke apparatet. Fyld desuden vandtanken op til maksimum og lad vandet løbe, indtil tanken er tom. Når al vandet i tanken er tømt, er afkalkningsprocessen afsluttet, og indikatoren slukker.

MANGLENDE VAND

Når vandstanden i tanken er under MIN-niveau, vises E7 og indikatoren Lack of water blinker på displayet som en påmindelse om at fylde vand på tanken.

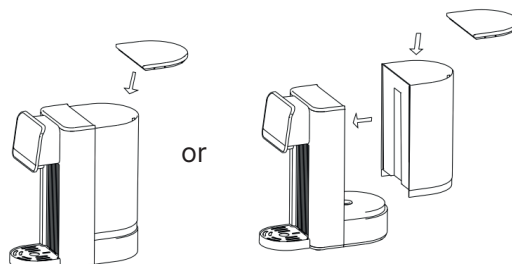


FORBEREDELSE TIL BRUG

- Fjern enheden og tilbehøret fra kassen. Fjern eventuelle etiketter, beskyttelsesfilm eller plast fra enheden.
- Sørg for, at stikket er taget ud af stikkontakten.
- Før første brug skal du tørre alle aftagelige dele af med en fugtig klud. Brug aldrig aggressive eller slibende rengøringsmidler, skuresvampe eller ståuld; dette kan beskadige enheden.
- Rengør vandtanken før første brug. Fyld tanken med rent vand, tøm den ved at vende enheden, og tør vandtankrummet af med en tør klud. Gentag disse trin ca. 3 gange.
- Brug ikke opvaskemiddel i vandtanken!
- Placer enheden på en plan og stabil overflade, hvor den ikke kan vælte.
- Tilslut enheden til strømnettet.
- Enheden er nu klar til brug.

BRUGSANVISNING

- Placer enheden på en plan, stabil overflade, et sted hvor den ikke kan vælte.
- Fjern låget på vandtanken og fyld tanken med rent vand. Sørg for, at vandstanden altid er over «MIN»-mærket og ikke over «MAX»-mærket. Tip: det anbefales at bruge skyllevand i enheden.
- Du kan enten fylde vand i ved at tage tanken ud eller ved at fylde vand direkte i uden at fjerne den fra hovedenheden.



- FYLD IKKE vand i med en temperatur over 40°C.
- Der er huller i tanken over «MAX»-mærket, som slipper vand ud ved overfyldning og forhindrer, at der dannes vakuum i tanken.
- Luk vandtanken ved at sætte låget på igen.
- Placer din kop på den aftagelige drypbakke, og sørg for, at den står korrekt under vandudløbet.
- Hold låseknappen nede for at låse betjeningspanelet op. Vælg den ønskede temperatur og det ønskede volumen. Tryk derefter på Tænd/Sluk-knappen.
- Efter ca. 5–10 sekunder begynder enheden at dispensere vand. Brugeren kan trykke på Tænd/Sluk-knappen for at stoppe processen.
- Advarsel: Undgå forbrændinger. Rør ikke det kogte vand eller den varme damp for at forhindre forbrændinger eller skader.
- Hvis apparatet stopper med at fungere og udsender et bip, betyder det, at der mangler vand. Hæld straks koldt vand i vandtanken for at fylde den op.
- Enheden kan til enhver tid huske den seneste betjeningsmetode. Når stikket frakobles, går hukommelsen dog tabt, og enheden vender tilbage til standardindstillingerne.
- Da rumtemperaturen varierer dagligt, kan vandmængden variere med -15 % til +15 %.

TERMOSTAT

Enheden er udstyret med en indbygget termostat, der automatisk slukker for enheden i tilfælde af overophedning eller unormal drift.

Hvis enheden bliver for varm (overophedning), aktiveres termostaten og sikringen, og enheden stopper. Lad den køle i ca. 30 minutter; sikringen nulstilles derefter automatisk. Enheden kan derefter bruges igen.

Hvis enheden ikke fungerer normalt efter afkøling, anbefales det at nulstille termostat-sikringen manuelt ved at trykke reset-nøglen ind i det lille reset-hul, indtil du hører et klik. Brug reset-nøglen til denne handling.

Reset-nøgle



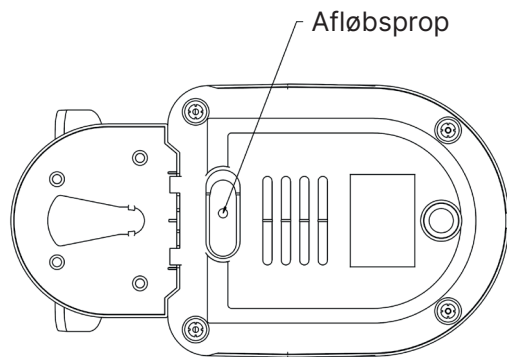
AFLØBSPROP

Hvis enheden ikke skal bruges i længere tid, rengør den og fjern spildevandet.

Træk forsigtigt i afløbsproppen, så spildevandet kan løbe ud.

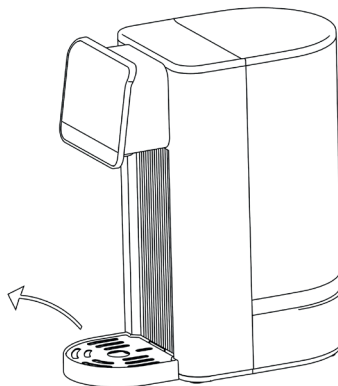
Når alt spildevandet er fjernet, sættes afløbsproppen tilbage i den oprindelige position, og kontroller, at den sidder fast.

Bemærk! Hvis der opstår vandlækage efter påfyldning af vandtanken, skal du kontrollere, at afløbsproppen er korrekt fastgjort.



DRYPBAKKE

Når drypbakken er fuld, holdes enheden fast med den ene hånd, og med den anden hånd løftes bakken forsigtigt op for at fjerne den. Tøm bakken og sæt den tilbage på plads med let tryk.



RENGØRING OG VEDLIGEHOLDELSE

- Træk stikket ud af kontakten, og lad enheden køle helt af.
- Sænk aldrig enheden ned i vand eller andre væsker.
- Rengør enheden efter hver brug.
- Aftør kabinettet og indersiden med en fugtig klud.
- Brug ikke opvaskemiddel i vandtanken!
- Brug aldrig aggressive eller slibende rengøringsmidler, skuresvampe eller ståuld; dette kan beskadige enheden.
- Tør enheden grundigt.
- Opbevar enheden på et tørt sted.
- Håndter altid enheden forsigtigt; placer den ikke på kanten af et bord eller køkkenbord for at undgå skader ved et fald.
- Hvis enheden ikke skal bruges i længere tid, tag stikket ud, rengør den og læg den tilbage i den originale emballage for at undgå, at de elektriske komponenter bliver fugtige eller beskadigede.

FEJLFINDING

Display viser E7	Mangel på vand	Fyld vandtanken op til MAX-niveau
Display viser E4	Åben kredsløb i temperatursensoren	Aflever apparatet på det lokale servicecenter for at få kontrolleret eller udskiftet temperatursensoren
Display viser E5	Elektrisk kortslutning i temperatursensoren	Aflever apparatet på det lokale servicecenter for at få kontrolleret eller udskiftet temperatursensoren
Display viser E8	Problem med vandpumpen	Aflever apparatet på det lokale servicecenter for at få kontrolleret eller udskiftet vandpumpen
Vandlækage	Afløbsproppen er løsnet	Stram afløbsproppen i bunden

OPBEVARING & TRANSPORT

- Når apparatet skal opbevares, skal det først rengøres i henhold til denne brugsanvisning. Apparatet bør opbevares i sin originalemballage.
- Opbevar altid apparatet i et tørt og godt ventileret rum, uden for børns rækkevidde.
- Beskyt apparatet mod vibrationer og stød under transport.

TEKNISKE SPECIFIKATIONER

Spænding: 220 - 240 V ~ 50/60Hz

Effekt: 2200 - 2600 Watt

Temperaturindstillinger: stuetemperatur, 40°C, 50°C, 60°C, 70°C, 80°C, 90°C, 100°C.

Volumenindstillinger: 150ml, 250ml, 350ml, 500ml, kontinuerlig strøm

INSTRUCTIONS FOR THE PROTECTION OF THE ENVIROMENT

(WEEE, the waste electrical and electronic equipment directive)



Your product has been manufactured from high quality materials and components which can be recycled and used again. At the end of its life, this product can not be disposed of in normal domestic waste, but must be taken to a special collection point for the recycling of electrical and electronic equipment. The waste container marked with a cross symbol on the item, in the user manual and on the packaging informs you of this. The raw materials used are suitable for recycling.

By recycling used appliances or raw materials you are making an important contribution to the protection of our environment. You can find out the location of your nearest collection point from your local council.

EU-OVERENSSTEMMELSESERKLÆRING

Vi,

Elmarc B.V.
Kolenbranderstraat 28, 2984 AT Ridderkerk,
Holland

erklærer under vores eneansvar, at produktet:

- Produktmærke: SEEGER
- Modelnummer: SGR1150BK
- Produktbeskrivelse: Instant-vandkoger
- Produktspecifikationer:

Input: 220 – 240 V~, 50/60 Hz, Klasse I

Output: 2200 – 2600 W

opfylder bestemmelserne i følgende direktiver:

- Direktiv om elektromagnetisk kompatibilitet (EMC): 2014/30/EU
- Lavspændingsdirektivet (LVD): 2014/35/EU
- Direktiv om energirelaterede produkter (ERP): 2009/125/EF
- Direktiv om begrænsning af anvendelsen af visse farlige stoffer i elektrisk og elektronisk udstyr (RoHS): 2015/863, der ændrer 2011/65/EU

Og de standarder, hvortil overensstemmelse er erklæret:

EMC:

- EN IEC 55014-1:2017
- EN IEC 55014-2:2015
- EN IEC 61000-3-2:2019+A1:2021+A2:2024
- EN 61000-3-3:2013+A1:2019+A2:2021

LVD:

- EN 60335-1:2012+A11:2014+A13:2017+A1:2019+A14:2019+A2:2019+A15:2021+A16:2023
- EN 60335-2-15:2016+A11:2018+A1:2021+A2:2021+A12:2021
- EN 62233:2008

ERP:

- EU 2023/826

Sted: Holland

Udstedelsesdato: 22-08-2025

Designed for Happiness.

Elmarc B.V. | Kolenbranderstraat 28 | 2984 AT Ridderkerk | The Netherlands | myseeger.com