
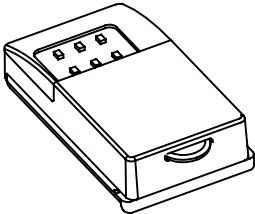
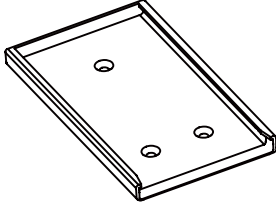




Art.-Nr.: 704.98  
PEO 09/19




 x1

 x1


 x3

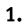






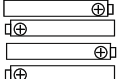
**CE UK CA**

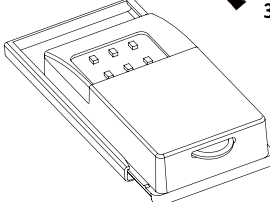
**A**

2. 

1. 

 Not incl.  
4x AAA batteries  
(DC 1.5V)

 + - 

 3.

