

Household Sewing Machine with 12 Stitch Functions

Huishoudelijke Mini-Naaimachine met 12 Verschillende Steken

| | |
|------------------|----|
| English | 3 |
| Nederlands | 18 |
| German..... | 32 |

Table of Contents

| | |
|---|----|
| 1. Important Safety Instructions | 4 |
| 2. Battery Warnings | 6 |
| 3. Before First Use | 6 |
| 4. Intended Use | 6 |
| 5. Product Description | 7 |
| 6. Sewing setup | 9 |
| 6.1 Threading the upper thread | 9 |
| 6.2 Inserting the bobbin | 10 |
| 6.3 Replacing the needle | 11 |
| 6.4 Removing or attaching the presser foot | 11 |
| 6.5 Removing or attaching the presser support | 11 |
| 7. Operation | 12 |
| 7.1 Switching on/off | 12 |
| 7.2 Connecting to the foot pedal | 12 |
| 7.3 Pattern selecting | 12 |
| 7.4 Basic sewing | 13 |
| 7.5 Reverse sewing | 13 |
| 7.6 Winding the bobbin | 14 |
| 7.7 Button hole sewing | 14 |
| 8. Cleaning and Maintenance | 15 |
| 8.1 Cleaning | 15 |
| 8.2 Storage | 15 |
| 8.3 Maintenance | 15 |
| 9. Disposal | 15 |
| 10. Battery Disposal | 15 |
| 11. Troubleshooting | 16 |
| 12. Specifications | 17 |
| 12.1 Sewing machine | 17 |

1. IMPORTANT SAFETY INSTRUCTIONS



Read these instructions carefully and retain them for future use. If this product is passed to a third party, then these instructions must be included.

When using electrical appliances, basic safety precautions should always be followed to reduce the risk of fire, electric shock, and/or injury to persons including the following:

⚠ CAUTION Risk of injury!

Risk of damage!

- ▶ This appliance can be used by children aged from 8 years and above and persons with reduced physical, sensory or mental capabilities or lack of experience and knowledge if they have been given supervision or instruction concerning use of the appliance in a safe way and understand the hazards involved.

- ▶ Children shall not play with the appliance.
- ▶ Cleaning and user maintenance shall not be made by children without supervision.
- ▶ The appliance is only to be used with the power supply unit provided with the appliance.
- ▶ Unplug the appliance before carrying out maintenance or replacing lamps.
- ▶ Unplug the appliance and remove the batteries when making any adjustment in the needle area, such as threading needle, changing needle, threading bobbin, or changing presser foot, and the like.
- ▶ Switch off or unplug the appliance when leaving it unattended.
- ▶ Use this appliance only for its intended use as described in this manual.
- ▶ Keep fingers away from all moving parts. Special care is required around the sewing machine needle.

⚠ CAUTION Risk of electric shock!

- ▶ Do not attempt to repair the appliance yourself. In case of malfunction, repairs are to be conducted by qualified personnel only.
 - ▶ Do not immerse the electrical parts of the appliance in water or other liquids. Never hold the appliance under running water.
 - ▶ Do not operate the appliance with wet hands or while standing on a wet floor. Do not touch the power plug with wet hands.
 - ▶ Disconnect the plug from the socket outlet and remove the batteries from the appliance when not in use, before any maintenance and before cleaning.
 - ▶ Regularly check the plug and supply cord for damage. If the cord is damaged the power adapter should be scrapped.
- ▶ Never use accessories which are not recommended by the manufacturer. Only use original parts and accessories.
 - ▶ Place the appliance on a level, dry and sufficiently stable surface.
 - ▶ Do not place the appliance on or near hot surfaces.
 - ▶ Lay out the supply cord in such a way that no unintentional pulling or tripping over it is possible.
 - ▶ Never look away from the needle while sewing.
 - ▶ Do not pull or push fabric while stitching. It may deflect the needle causing it to break.
 - ▶ Do not use bent, blunt or damaged needles.

2. Battery Warnings

NOTICE The batteries are not included.

- ▶ Always insert batteries correctly with regards to polarity (+ and -) marked on the battery and the product.
- ▶ Exhausted batteries should be immediately removed from product and properly disposed.
- ▶ Remove batteries from product if it is not to be used for an extended period of time.

3. Before First Use

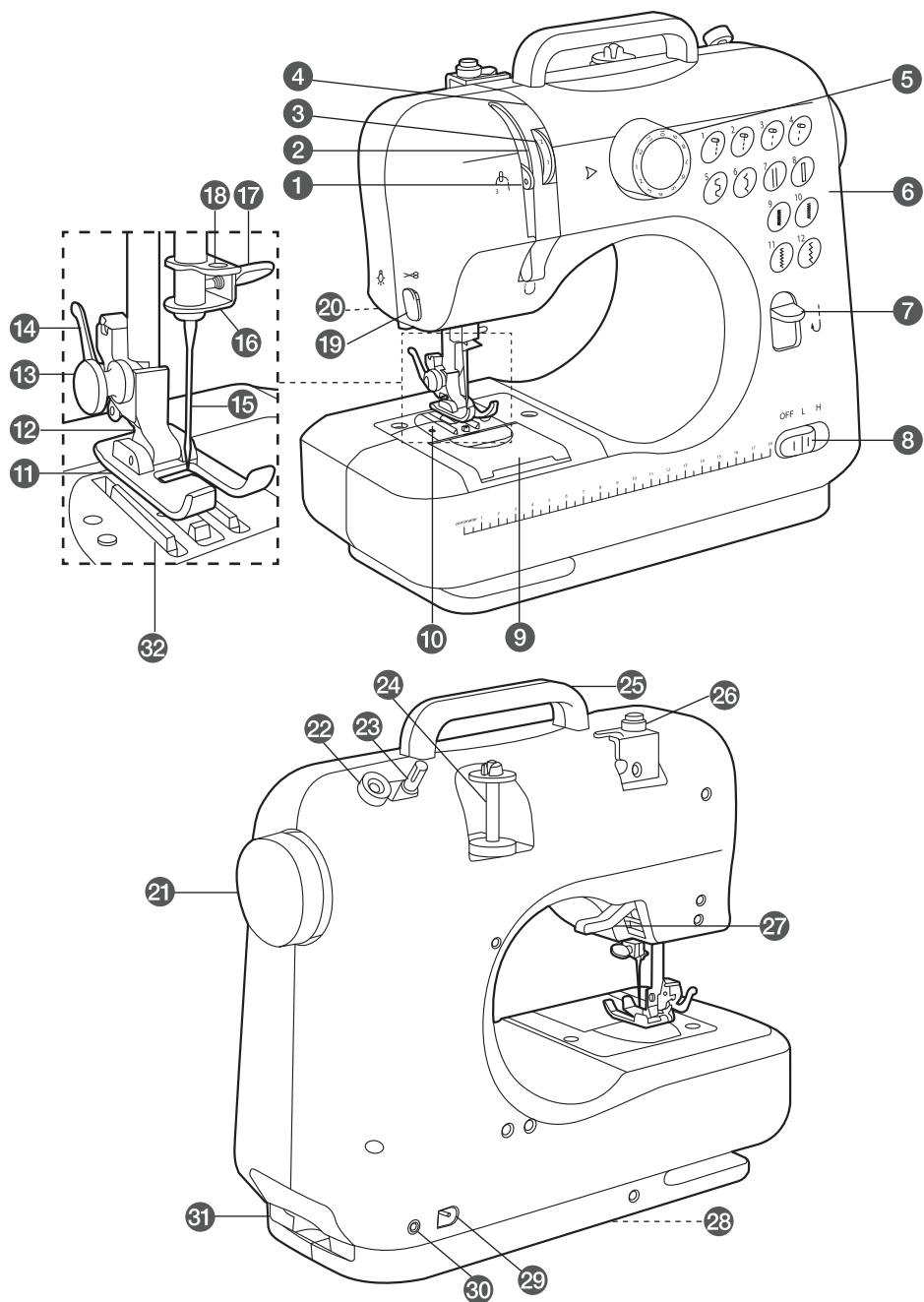
⚠ DANGER Risk of suffocation!

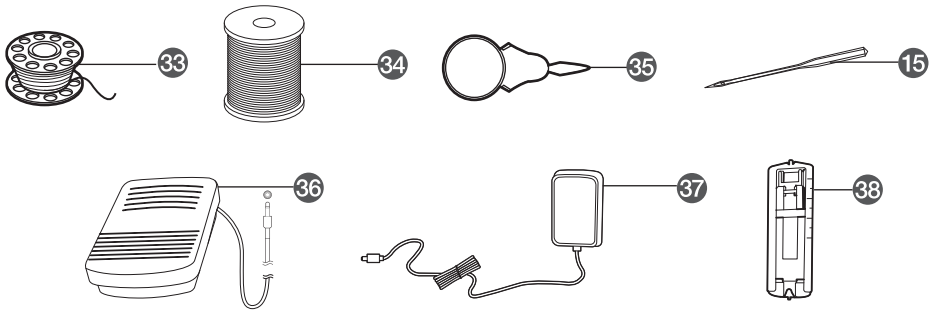
- ▶ Keep any packaging materials away from children – these materials are a potential source of danger, e.g. suffocation.
- ▶ Check the product for transport damages.
- ▶ Remove all the packing materials.
- ▶ The product comes pre-threaded. Remove the test cloth on the sewing table by raising the presser foot lever and cutting the threads.
- ▶ Before connecting the appliance to the power supply, check that the power supply voltage and current rating corresponds with the power supply details shown on the appliance rating label.

4. Intended Use

- ▶ This product is intended for sewing fabric and other similar soft materials, like thin leather or paper, using cotton or synthetic thread.
- ▶ This product is intended for household use only. It is not intended for commercial use.
- ▶ This product is intended to be used in dry indoor areas only.
- ▶ No liability will be accepted for damages resulting from improper use or non-compliance with these instructions.

5. Product Description





- | | | | |
|----|---------------------------------|----|---------------------------|
| 1 | Take-up lever | 21 | Hand wheel |
| 2 | Thread guide 2 | 22 | Bobbin blocker |
| 3 | Thread tension adjustment wheel | 23 | Winding bar |
| 4 | Thread guide 1 | 24 | Spool pin |
| 5 | Pattern selection wheel | 25 | Carrying handle |
| 6 | Pattern indication panel | 26 | Thread disc guide |
| 7 | Reverse button | 27 | Presser foot lever |
| 8 | Control switch | 28 | Battery compartment |
| 9 | Bobbin cover | 29 | Power socket |
| 10 | Needle plate | 30 | Foot pedal socket |
| 11 | Presser foot | 31 | Accessories box |
| 12 | Presser support | 32 | Feed dog |
| 13 | Presser set screw | 33 | Bobbin (with thread) x 2* |
| 14 | Presser foot locking lever | 34 | Thread spool x 2* |
| 15 | Needle (size 90/14) x 2* | 35 | Needle threader |
| 16 | Needle clamp | 36 | Foot pedal |
| 17 | Needle clamp screw | 37 | Power adapter |
| 18 | Thread hole | 38 | Button hole presser foot |
| 19 | Thread cutter | | |
| 20 | Light switch | | |

*including the pre-installed parts

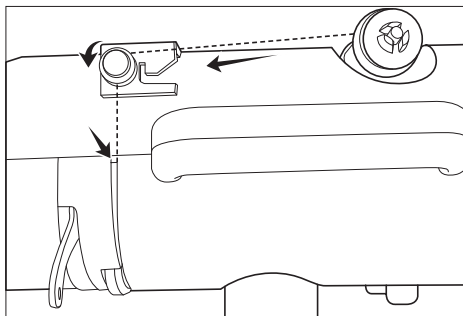
6. Sewing setup

⚠ CAUTION Risk of injury! Risk of damage!

► Unplug the appliance and remove the batteries when making any adjustment in the needle area, such as threading needle, changing needle, threading bobbin, or changing presser foot.

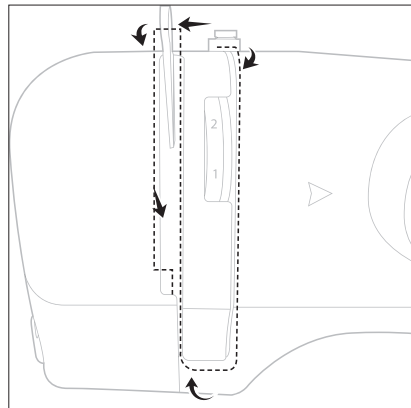
6.1 Threading the upper thread

1. Turn the hand wheel (21) anti-clockwise to raise the needle (15) to the highest point and raise the presser foot lever (27).

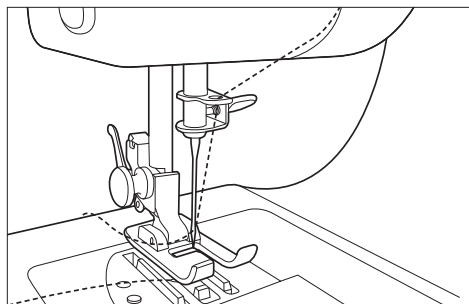


2. Place the desired thread spool (34) onto the spool pin (24). Draw the thread and make a corner turn via the thread disc guide (26) and then pull it down through the thread guide 1 (4).

NOTICE The thread tension can be set only when the upper thread is properly fitted in the thread guide 1 (4).

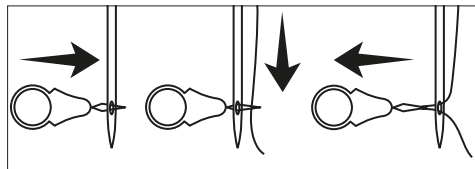


3. Loop it up the thread guide 2 (2) and pass it through the hole of the take-up lever (1) from right to left.



4. Pull it back down and pass it through the thread hole (18).
5. Pass the end of the thread through the eye of the needle (15) from the front to the back.
6. Pull out approximately 10 cm of the thread and lay it to the back under the presser foot (11).

6.1.1. Using the needle threader



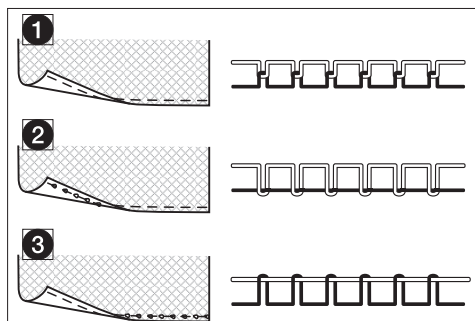
1. Insert the needle threader (35) through the eye of the needle (15) from the back to the front.
2. Pass the thread through the wire loop of the needle threader (35).
3. Pull the needle threader (35) together with the thread back through the eye.

6.1.2. Adjusting the thread tension

The thread tension should be adjusted for different fabrics. The required tension depends on the weight and thickness of the fabric.

Turn the thread tension adjustment wheel (3) to adjust the tension of the upper thread:

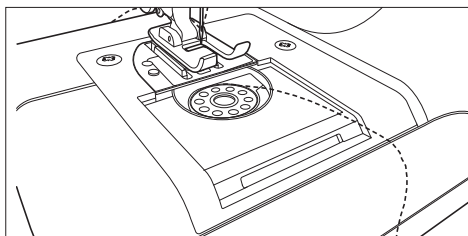
- ▶ To increase the tension, turn the thread tension adjustment wheel (3) to a higher number.
- ▶ To reduce the tension, turn the thread tension adjustment wheel (3) to a lower number.



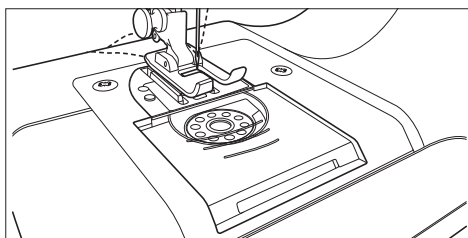
1. Normal thread tension
2. Upper thread tension too loose
3. Upper thread tension too tight

6.2 Inserting the bobbin

1. Turn the hand wheel (21) anti-clockwise to raise the needle (15) to the highest point.
2. Slide the bobbin cover (9) to remove it.



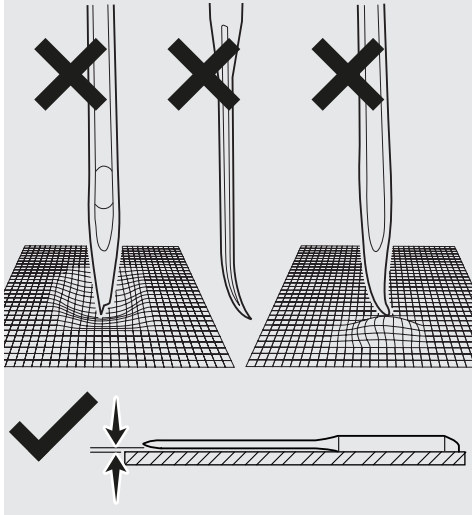
3. Place a bobbin (33) in its chamber with its thread going clockwise. Pull the thread towards the back so there is at least 10 cm of loose thread.
4. Hold the end of the upper thread and turn the hand wheel (21) anti-clockwise with the other hand until the needle is raised again.
5. Pull on the upper thread to draw up the bobbin thread through the stitch hole of the presser foot (11).



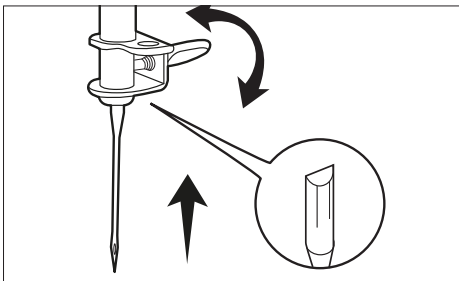
6. Refit the bobbin cover (9). Pull out approximately 10 cm of both threads and lay them to the back under the presser foot (11).

6.3 Replacing the needle

NOTICE Change the needle regularly. Bent, blunt or damaged needles can cause damage to the product or fabric. To achieve optimal sewing results, the needle should be straight and sharp:



1. Turn the hand wheel (21) anti-clockwise to raise the needle (15) to the highest point. Lower the presser foot lever (27).



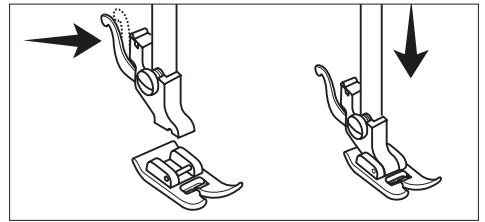
2. Turn the needle clamp screw (17) anti-clockwise to loosen it and remove the needle from the needle clamp (16).
3. Insert a new needle into the needle clamp (16) with the flat side of its shank facing towards the back of the product.

4. Push the needle all the way into the needle clamp (16) and tighten the needle clamp screw (17) to secure the needle.

6.4 Removing or attaching the presser foot

The presser foot (11) is used to hold down the fabric while sewing. Always place the upper and bobbin threads under the presser foot before sewing.

NOTICE Use this method to change the button hole presser foot (38).

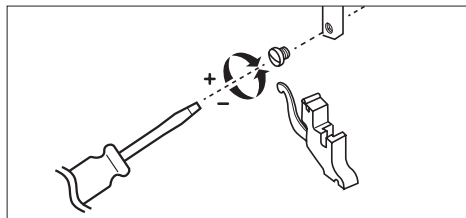


1. Turn the hand wheel (21) anti-clockwise to raise the needle (15) to the highest point. Raise the presser foot lever (27).
2. Press the presser foot locking lever (14). The presser foot (11) drops off.
3. Place the presser foot (11) under the presser support (12) and lower the presser foot lever (27). The presser foot (11) locks into place.

6.5 Removing or attaching the presser support

NOTICE Remove the presser foot (11) before you remove the presser support (12). See section "Removing or attaching the presser foot" for details.

1. Turn the hand wheel (21) anti-clockwise to raise the needle (15) to the highest point. Raise the presser foot lever (27).



- Loosen the presser set screw (13) by turning a screwdriver (not included) anti-clockwise. Remove the presser support (12).
 - To attach the presser support (12), refit and secure it by turning clockwise, tightening the presser set screw (13).

7. Operation

7.1 Switching on/off

The product can be either connected to the socket outlet or operated with batteries.

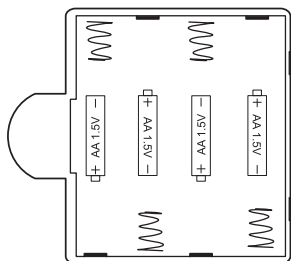
7.1.1. Using power adapter

⚠ WARNING Risk of electric shock!

- When using the power adapter, remove all batteries from the product.

- Connect the power adapter (37) to the power socket (29) then to a suitable socket outlet.
- After use, set the control switch (8) to the "OFF" position and unplug the product from the socket outlet.

7.1.2. Using batteries



- Open the cover of the battery compartment (28) on the underside of the product.
- Insert 4 batteries (Type AA, 1.5 V). Make sure the polarity (+ and -) is correct.
- Refit the battery compartment cover.

7.2 Connecting to the foot pedal

⚠ CAUTION Risk of injury!

- The control switch must be set to the "OFF" position before connecting the foot pedal.

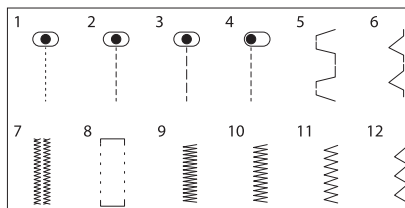
- Connect the plug on the foot pedal (36) to the foot pedal socket (30).
- Place the foot pedal (36) on the floor.

7.3 Pattern selecting

⚠ CAUTION Risk of damage!

- Do not turn the pattern selection wheel when the needle is down into the fabric. Otherwise, the needle may bend or break.

This product includes 12 kinds of stitches for different purposes. Turn the pattern selection wheel (5) to choose the desired stitch pattern.



NOTICE Different stitch patterns will require different thread tensions. The thread tension adjustment wheel (3) must be adjusted everytime the stitch pattern is changed. Otherwise, the upper thread either breaks or loosens during sewing.

7.4 Basic sewing

CAUTION

- ▶ The upper and bobbin threads must be threaded properly.
- ▶ The correct upper thread tension must be set.

NOTICE

Press the light switch (20) to switch the light on or off.

1. Raise the presser foot lever (27).
2. Pull the upper and bobbin threads back so there is at least 10 cm of loose thread at the back of the product.
3. Place the fabric under the presser foot (11) and set the presser foot lever (27) down to secure the fabric in place.
4. Turn the hand wheel (21) anti-clockwise to lower the needle (15) into the fabric.
5. Start sewing.

NOTICE

You can either sew with the foot pedal (36) or with the control switch (8).

⚠ CAUTION Risk of injury!

- ▶ When using the control switch (8), the foot pedal (36) must be disconnected from the product to avoid accidental triggering.
- ▶ With the foot pedal (36): press your foot gently on the foot pedal and use your hands to guide the fabric through. The amount of pressure put on the foot pedal affects the sewing speed. Press lightly for slow speed, press harder for higher speed.
- ▶ With the control switch (8): Set the control switch to the "L" (low speed) or "H" (high speed) position and use your hands to guide the fabric through.

7.4.1.Changing sewing direction

1. Stop sewing and turn the hand wheel (21) anti-clockwise to lower the needle into the fabric. Raise the presser foot lever (27).
2. Change the sewing direction by pivoting the fabric around the needle.
3. Set the presser foot lever (27) down to continue sewing.

7.4.2.Removing the fabric and cutting the threads

1. After sewing, rotate the hand wheel (21) anti-clockwise to raise the needle (15) to the highest point. Raise the presser foot lever (27).
2. Pick up the fabric and pull the threads towards the back so there is at least 10 cm of loose thread.
3. Bring the threads to the thread cutter (19) and cut the threads using a downward motion.

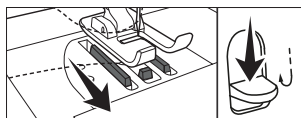
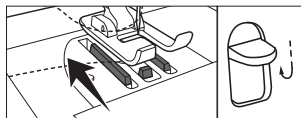
7.5 Reverse sewing

NOTICE

Do not add more than 6 reverse stitches at a time.

Reverse sewing is used to finish off a line of stitches or to reinforce places that needs extra strength.

The movement of the feed dog (32) reverses to move back the cloth while sewing to make a locking knot over the stitches.



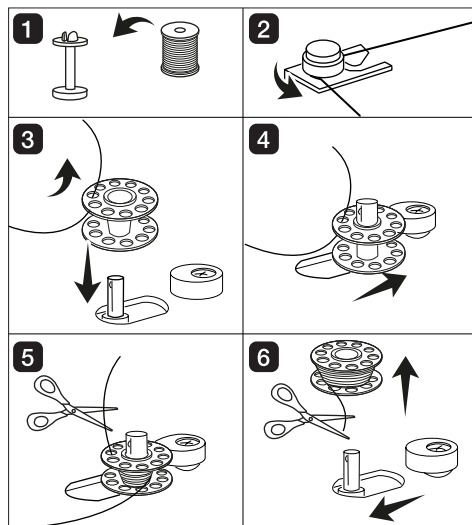
- ▶ Hold down the reverse button (7) to sew back over the previous stitches to secure them.

7.6 Winding the bobbin

NOTICE

Do not move the winding bar (23) while the product is running.

The sewing motion of the product is disengaged in the winding process.



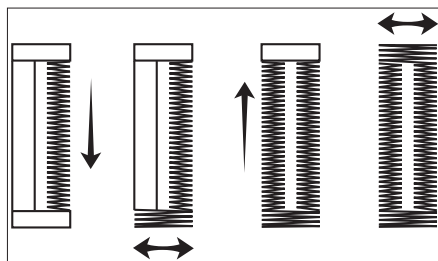
1. Place a thread spool (34) on the spool pin (24).
2. Draw the thread from the spool through the thread disc guide (26).
3. Pass the thread through a hole in an empty bobbin (33) from the inside to the outside.
With the thread coming out from the top, snap the bobbin (33) on the winding bar (23).
4. Push the winding bar (23) to the right towards the bobbin blocker (22).
5. While holding the free end of the thread, start winding by using the foot pedal (36) or the control switch (8). After winding a few layers, stop winding and cut off the free end of the thread.

6. Start winding again to continue filling the bobbin (33).
Once full, cut the thread and push the winding bar (23) to the left side to remove the bobbin (33).

7.7 Button hole sewing

NOTICE For button hole sewing, use the control switch (8) for operation.

1. Turn the hand wheel (21) anti-clockwise to raise the needle (15) to the highest point. Raise the presser foot lever (27).
2. Remove the presser footer (11). Attach the button hole presser foot (38) to the presser support (12).
3. Mark the desired length of the button hole on the fabric.
4. Place the fabric under the button hole presser foot (38) and set the presser foot lever (27) down to secure the fabric in place.



5. Turn the pattern selection wheel (5) to "7" for sewing in a suitable length and then switch it off.
6. Change the pattern to "8" for sewing 5 – 6 stitches in low speed and then switch it off.
7. Change the pattern to "7" for sewing for the same length and then switch it off.
8. Change the pattern to "8" for sewing in low speed until the button hole is fully sewed.
9. Raise the needle (15) to the highest point then raise the presser foot lever (27).

10. Pull out the fabric and cut the threads.
Cut the opening with a seam ripper (not included).

8. Cleaning and Maintenance

⚠ WARNING Risk of electric shock!

- ▶ To prevent electric shock, unplug the product and remove the batteries before cleaning.
- ▶ During cleaning do not immerse the electrical parts of the product in water or other liquids. Never hold the product under running water.

8.1 Cleaning

- ▶ To clean the product, wipe with a soft, slightly moist cloth.
- ▶ Dry the product after cleaning.
- ▶ Never use corrosive detergents, wire brushes, abrasive scourers, metal or sharp utensils to clean the product.
- ▶ Lint and bits of thread may accumulate under the bobbin cover. Check regularly and clean it with a fine brush (not included) when necessary.

8.2 Storage

- ▶ Store the product in its original packaging in a dry area. Keep away from children and pets.

8.3 Maintenance

- ▶ Any other servicing than mentioned in this manual should be performed by a professional repair centre.

9. Disposal



The Waste Electrical and Electronic Equipment (WEEE) Directive aims to minimise the impact of electrical and electronic goods on the environment, by increasing re-use and recycling and by reducing the amount of WEEE going to landfill. The symbol on this product or its packaging signifies that this product must be disposed separately from ordinary household wastes at its end of life. Be aware that this is your responsibility to dispose of electronic equipment at recycling centers in order to conserve natural resources. Each country should have its collection centers for electrical and electronic equipment recycling. For information about your recycling drop off area, please contact your related electrical and electronic equipment waste management authority, your local city office, or your household waste disposal service.

10. Battery Disposal




Do not dispose of used batteries with your household waste. Take them to an appropriate disposal/ collection site.

11. Troubleshooting

| Problem | Solution |
|-----------------------------|--|
| The product does not start. | <ul style="list-style-type: none"> ▶ Check if the power plug is connected to the socket outlet. Check if the power socket works. ▶ Check if the batteries have been inserted correctly or if the batteries are dead. ▶ Check if the foot pedal is correctly connected to the foot pedal jack. |
| The thread breaks. | <ul style="list-style-type: none"> ▶ The thread tension is not set correctly for the chosen stitch pattern or the type of fabric. Adjust the tension by using the thread tension adjustment wheel. ▶ Check if the needle is bent or if the needle shank is not properly seated. Re-insert or change the needle. ▶ Check if the upper and bobbin threads are placed towards the back and under the presser foot. ▶ Check if there is any lint collected in the bobbin chamber. Clean with a fine brush. |
| Stitches are skipped. | <ul style="list-style-type: none"> ▶ Check if the product is threaded properly. Re-thread if needed. ▶ Check if the presser foot is too loose. Make sure the presser foot lever is set down. ▶ Check if the needle is bent or damaged. Re-insert or change the needle. |
| The needle breaks. | <ul style="list-style-type: none"> ▶ Change with a new needle and make sure it is inserted correctly and securely. |

12. Specifications

12.1 Sewing machine

| | |
|------------------------|---|
| Model number | TCSMC002 |
| Rated voltage | 6 V  |
| Battery type | 4 x 1.5V AA, LR6, R6 |
| Current consumption | 1.2 A |
| Power consumption | 7.2 W |
| Protection class | Class II |
| Net weight | approx. 2 kg |
| Dimensions (W x H x D) | approx. 28.5 x 26.1 x 12.4 cm |

Inhoudsopgave

| | |
|---|----|
| 1. Belangrijke Veiligheidsinstructies | 19 |
| 2. Waarschuwingen Over Batterijen | 21 |
| 3. Vóór Het Eerste Gebruik | 21 |
| 4. Beoogd Gebruik | 21 |
| 5. Beschrijving Van Het Product | 22 |
| 6. De naaimachine Gebruiksklaar Maken | 24 |
| 6.1 De bovendraad aanbrengen | 24 |
| 6.2 De spoel aanbrengen | 25 |
| 6.3 De naald vervangen | 26 |
| 6.4 De persvoet verwijderen of aanbrengen | 26 |
| 6.5 De persvoethouder verwijderen of aanbrengen | 26 |
| 7. Bediening | 27 |
| 7.1 In-/uitschakelen | 27 |
| 7.2 De voetpedaal gebruiken | 27 |
| 7.3 Patroon selecteren | 27 |
| 7.4 De basis van het naaien | 28 |
| 7.5 Achteruit naaien | 28 |
| 7.6 De spoel opwinden | 29 |
| 7.7 Knoopsgaten naaien | 29 |
| 8. Reiniging en Onderhoud | 30 |
| 8.1 Reiniging | 30 |
| 8.2 Opslag | 30 |
| 8.3 Onderhoud | 30 |
| 9. Afdanking | 30 |
| 10. Verwijdering Van de Accu | 30 |
| 11. Probleemoplossing | 31 |
| 12. Specificaties | 31 |
| 12.1 Naaimachine | 31 |

1. BELANGRIJKE VEILIGHEIDS- INSTRUCTIES



Lees deze gebruiksaanwijzing aandachtig door en bewaar ze voor later gebruik. Doe bij overdracht van dit product aan derden deze gebruiksaanwijzing erbij.

Volg altijd de basisvoorschriften inzake veiligheid op wanneer u elektrische apparaten gebruikt om het risico op brand, elektrische schokken en persoonlijk letsel te beperken, zoals:

⚠️ VOORZICHTIG Risico voor letsel! Risico op schade!

- ▶ Dit apparaat kan worden gebruikt door kinderen vanaf 8 jaar en personen met beperkte fysieke, visuele of mentale mogelijkheden, of die een gebrek aan ervaring en kennis hebben, indien ze gepaste instructies hebben gekregen zodat ze het apparaat op een veilige manier kunnen gebruiken en op de hoogte zijn van de gevaren die het gebruik van het apparaat met zich meebrengt.
- ▶ Kinderen mogen niet met het apparaat spelen.
- ▶ Kinderen mogen het apparaat niet zonder toezicht reinigen of onderhouden.
- ▶ Gebruik alleen het netsnoer dat met het apparaat is meegeleverd.
- ▶ Haal de stekker uit het stopcontact voordat u onderhoud uitvoert of lampen vervangt.

- ▶ Haal de stekker uit het stopcontact en verwijder de batterijen wanneer u aanpassingen in de buurt van de naald uitvoert, zoals de naald van draad voorzien, de naald vervangen, de spoel van draad voorzien, de persvoet vervangen, etc.
- ▶ Schakel het apparaat uit of haal de stekker uit het stopcontact wanneer u het apparaat zonder toezicht achterlaat.
- ▶ Gebruik dit apparaat alleen waarvoor het is bestemd, zoals beschreven in deze handleiding.
- ▶ Houd uw vingers uit de buurt van de bewegende onderdelen. Wees uiterst voorzichtig in de nabijheid van de naald van de naaimachine.

⚠ VOORZICHTIG Gevaar voor elektrische schokken!

- ▶ Probeer het apparaat niet eigenhandig te repareren. In geval van storing mogen reparaties uitsluitend door een vakman worden uitgevoerd.
- ▶ Dompel de elektrische onderdelen van het apparaat niet in water of een andere vloeistof. Houd het apparaat nooit onder stromend water.
- ▶ Gebruik het apparaat niet met natte handen of wanneer u op een natte vloer staat. Raak de stekker niet met vochtige handen aan.
- ▶ Haal de stekker uit het stopcontact en haal de batterijen uit het apparaat wanneer het niet wordt gebruikt, en voor reiniging of onderhoud.
- ▶ Controleer de stekker en het snoer regelmatig op schade. Gooi de netadapter weg als het snoer beschadigd is.

- ▶ Gebruik nooit accessoires die niet door de fabrikant worden aanbevolen. Gebruik uitsluitend originele onderdelen en accessoires.
- ▶ Plaats het apparaat op een vlak, droog en voldoende stabiel oppervlak.
- ▶ Plaats het apparaat niet op of in de nabijheid van een heet oppervlak.
- ▶ Leg het snoer op een dergelijke manier zodat niemand er per ongeluk aan kan trekken of over kan struikelen.
- ▶ Houd de naald tijdens het naaien altijd in het oog.
- ▶ Duw of trek niet aan het materiaal tijdens het naaien. Dit kan de naald doen buigen en breuk veroorzaken.
- ▶ Gebruik geen gebogen, stompe of beschadigde naalden.

2. Waarschuwingen Over Batterijen

OPMERKING Er zijn geen batterijen inbegrepen.

- ▶ Installeer de batterijen altijd volgens de juiste polariteit (+ en -) zoals aangegeven op de batterij en het product.

- ▶ Haal gebruikte batterijen onmiddellijk uit het product en gooi ze weg op een correcte manier.
- ▶ Haal de batterijen uit het product als u het langere tijd niet denkt te gebruiken.

3. Vóór Het Eerste Gebruik

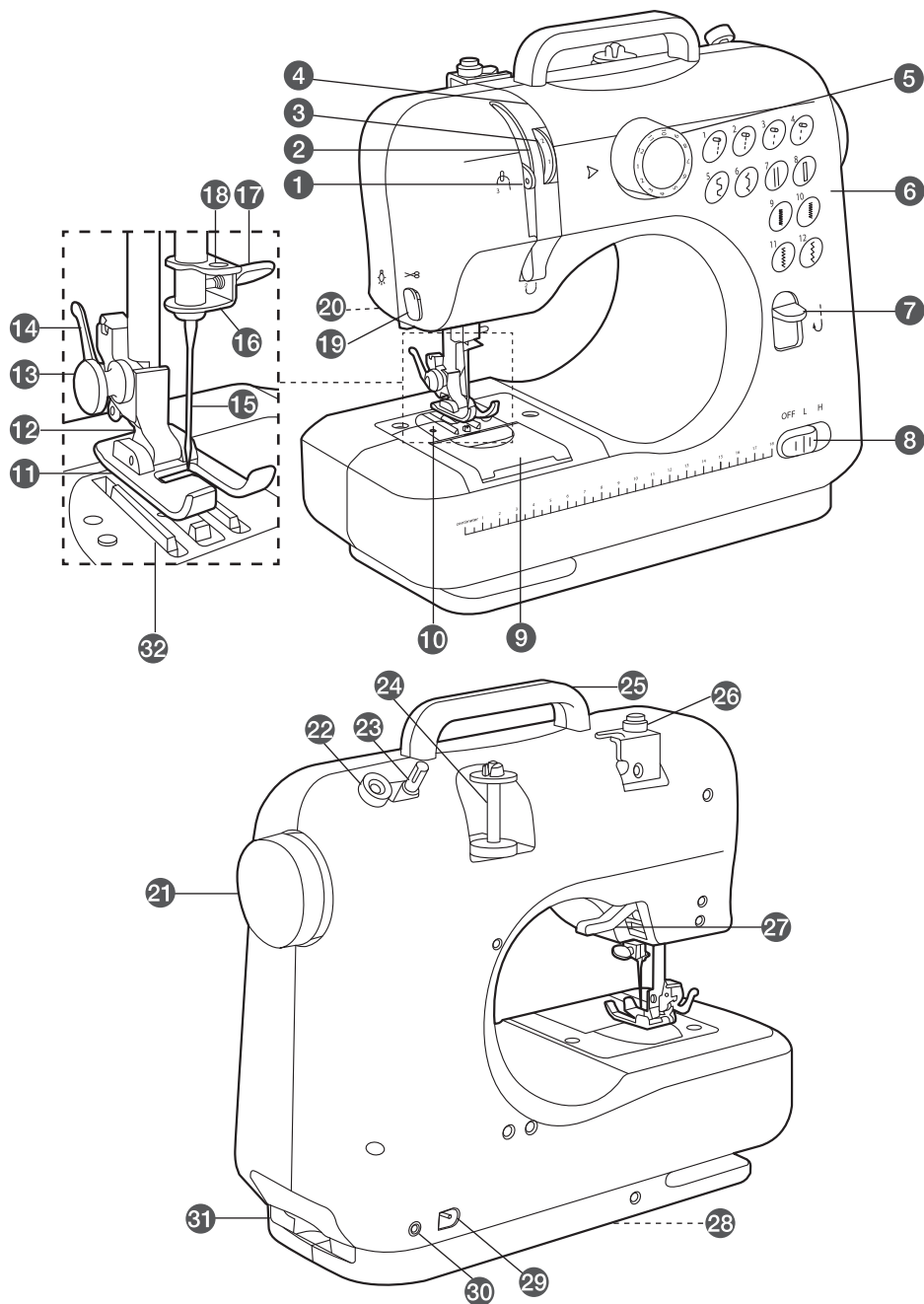
⚠ GEVAAR Verstikkingsgevaar!

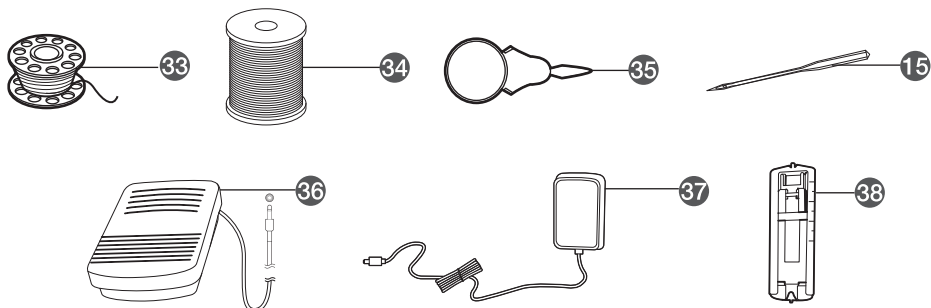
- ▶ Houd alle verpakkingsmateriaal uit de buurt van kinderen. Dit materiaal kan gevaar, zoals verstikking, opleveren.
- ▶ Controleer het product op vervoerschade.
- ▶ Verwijder alle verpakkingsmateriaal.
- ▶ Het product is reeds van draden voorzien. Verwijder de testdoek van de naaitafel door de persvoethendel omhoog te brengen en de draden door te knippen.
- ▶ Controleer of de nominale voedingsspanning en stroom overeenkomen met de voedingsvereisten vermeld op het typeplaatje van het apparaat voordat u de stekker in het stopcontact steekt.

4. Beoogd Gebruik

- ▶ Dit product is bestemd voor het naaien van stof en soortgelijke zachte materialen, zoals dun leer of papier, met behulp van katoen of synthetisch draad.
- ▶ Dit product is alleen bestemd voor huishoudelijk gebruik. Het is niet bestemd voor commercieel gebruik.
- ▶ Dit product is alleen bestemd voor gebruik in droge binnenruimten.
- ▶ Wij aanvaarden geen enkele aansprakelijkheid voor schade die als gevolg van onjuist gebruik of het negeren van deze instructies is ontstaan.

5. Beschrijving Van Het Product





- | | | | |
|----|-------------------------------------|----|---------------------------|
| 1 | Opnamehendel | 21 | Handwiel |
| 2 | Draadgeleider 2 | 22 | Spoelblokker |
| 3 | Draadspanningsregelaar | 23 | Opwindstang |
| 4 | Draadgeleider 1 | 24 | Klossen |
| 5 | Patroonkeuzewiel | 25 | Handgreep |
| 6 | Paneel met weergave van de patronen | 26 | Draadschijfgeleider |
| 7 | Achteruitknop | 27 | Persvoethendel |
| 8 | Bedieningsschakelaar | 28 | Batterijvak |
| 9 | Spoeldeksel | 29 | Voedingsaansluiting |
| 10 | Naaldplaat | 30 | Voetpedaalaansluiting |
| 11 | Persvoet | 31 | Accessoirevak |
| 12 | Persvoethouder | 32 | Transporteur |
| 13 | Stelschroef voor persvoet | 33 | Spoel (met draad) x 2* |
| 14 | Vergrendelingshendel voor persvoet | 34 | Draadklos x 2* |
| 15 | Naald (grootte 90/14) x 2* | 35 | Draaddoorhaler |
| 16 | Naaldklem | 36 | Voetpedaal |
| 17 | Naaldklemschroef | 37 | Netadapter |
| 18 | Draadgat | 38 | Persvoet voor knoopsgaten |
| 19 | Draadafsnijder | | |
| 20 | Lichtschakelaar | | |

*inclusief de reeds geïnstalleerde onderdelen

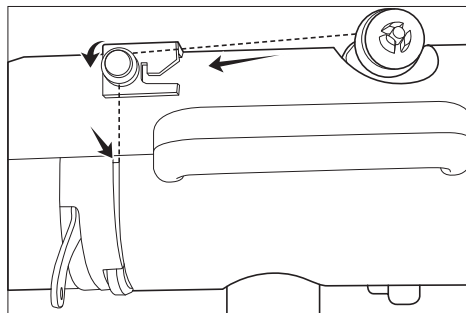
6. De naaimachine Gebruiksklaar Maken

⚠ VOORZICHTIG Risico voor letsel! Risico op schade!

- ▶ Haal de stekker uit het stopcontact en verwijder de batterijen wanneer u aanpassingen in de buurt van de naald uitvoert, zoals de naald van draad voorzien, de naald vervangen, de spoel van draad voorzien, de persvoet vervangen.

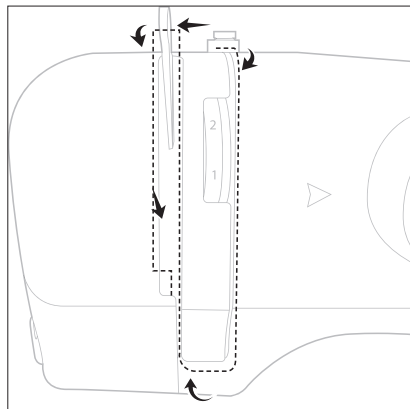
6.1 De bovendraad aanbrengen

1. Draai de handwiel (21) tegen de klok in om de naald (15) naar het hoogste punt te brengen en breng de de persvoethendel (27) omhoog.

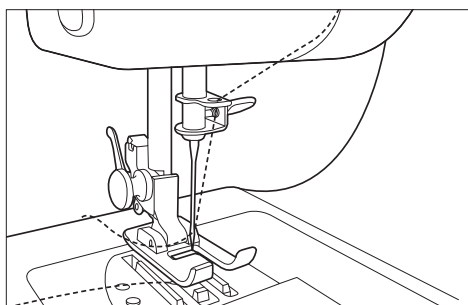


2. Breng de gewenste draadklos (34) op de klospen (24) aan. Trek aan de draad, maak een hoek via de draadschijfgeleider (26) en trek de draad vervolgens omlaag door draadgeleider 1 (4).

OPMERKING De draadspanning kan alleen worden ingesteld wanneer de bovendraad juist in draadgeleider 1 (4) is aangebracht.

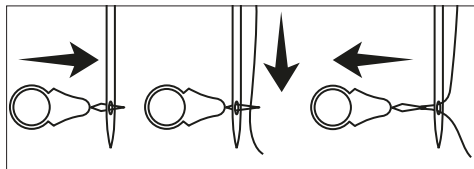


3. Maak een lus omhoog rond draadgeleider 2 (2) en steek de draad vervolgens van links naar rechts door het gat van de opnamehendel (1).



4. Trek de draad opnieuw omlaag en steek het door het draadgat (18).
5. Steek het einde van de draad van voren naar achteren door het oog van de naald (15).
6. Trek ongeveer 10 cm draad uit en leg het naar achteren onder de persvoet (11).

6.1.1. De draaddoorhaler gebruiken



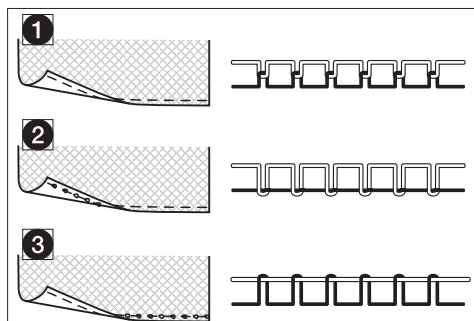
1. Steek de draaddoorhaler (35) van achteren naar voren door het oog van de naald (15).
2. Steek de draad door de lus van de draaddoorhaler (35).
3. Trek de draaddoorhaler (35) samen met de draad opnieuw door het oog.

6.1.2. De draadspanning aanpassen

De draadspanning moet worden aangepast naargelang de gebruikte stof. De benodigde spanning is afhankelijk van het gewicht en de dikte van de stof.

Draai de draadspanningsregelaar (3) om de spanning van de bovendraad aan te passen:

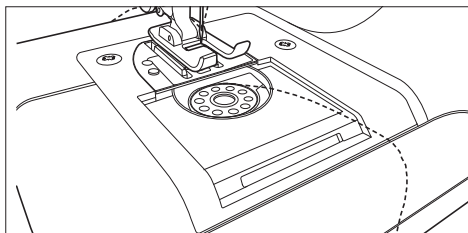
- Om de spanning te verhogen, draai de draadspanningsregelaar (3) naar een hoger cijfer.
- Om de spanning te verlagen, draai de draadspanningsregelaar (3) naar een lager cijfer.



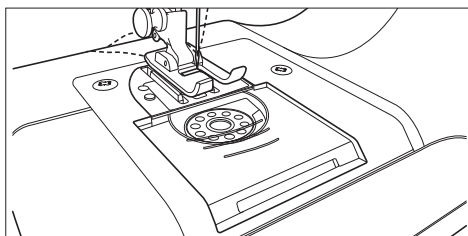
1. Normale draadspanning
2. Bovendraadspanning te los
3. Bovendraadspanning te strak

6.2 De spoel aanbrengen

1. Draai het handwiel (21) tegen de klok in om de naald (15) naar zijn hoogste positie te brengen.
2. Schuif het spoeldeksel (9) om het af te halen.



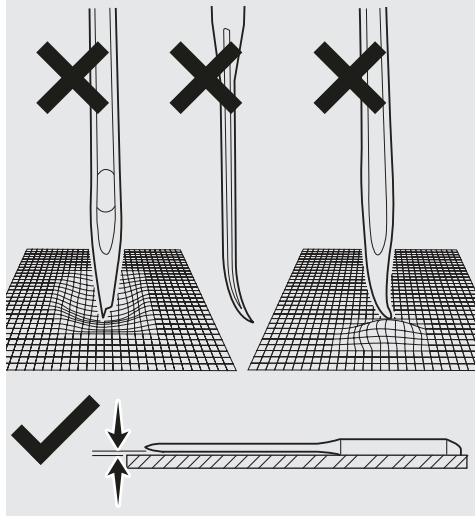
3. Plaats een spoel (33) in het vak met de draad die met de klok mee draait. Trek de draad naar achteren zodat er minstens 10 cm losse draad is.
4. Houd het einde van de bovendraad vast en draai het handwiel (21) met uw andere hand tegen de klok in totdat de naald zich opnieuw omhoog bevindt.
5. Trek aan de bovendraad om de spoeldraad door het gat van de persvoet (11) te brengen.



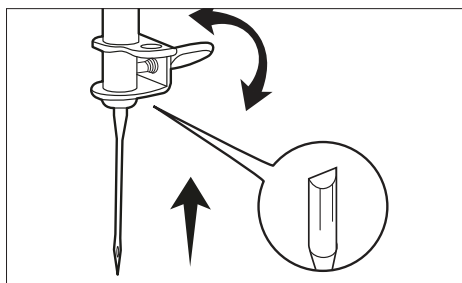
6. Breng het spoeldeksel (9) opnieuw aan. Trek ongeveer 10 cm van beide draden uit en leg ze naar achteren onder de persvoet (11).

6.3 De naald vervangen

OPMERKING Vervang de naald regelmatig. Gebogen, stompe of beschadigde naalden kunnen het product of de stof beschadigen. Voor de beste naaiprestaties, zorg dat de naald recht en scherp is:



1. Draai het handwiel (21) tegen de klok in om de naald (15) naar zijn hoogste positie te brengen. Laat de persvoethendel (27) zakken.



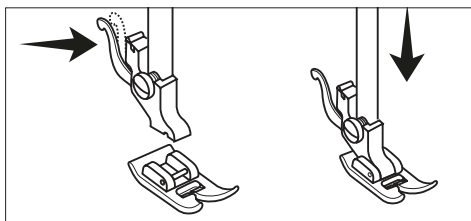
2. Draai de naaldklemschroef (17) tegen de klok in om het los te maken en verwijder vervolgens de naald uit de naaldklem (16).

3. Steek een nieuwe naald in de naaldklem (16) met de platte kant van de steel naar de achterkant van het product gericht.
4. Duw de naald volledig in de naaldklem (16) en draai de naaldklemschroef (17) vast om de naald stevig op zijn plaats te houden.

6.4 De persvoet verwijderen of aanbrengen

De persvoet (11) wordt gebruikt om de stof tijdens het naaien vast te houden. Plaats de boven- en spoeldraad altijd onder de persvoet alvorens te naaien.

OPMERKING Gebruik deze methode om de persvoet voor knoopsgaten (38) te vervangen.

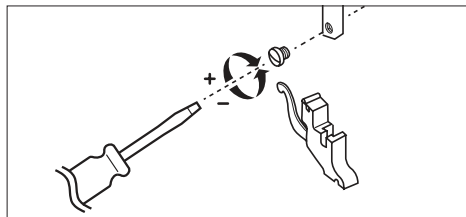


1. Draai het handwiel (21) tegen de klok in om de naald (15) naar zijn hoogste positie te brengen. Breng de persvoethendel (27) omhoog.
2. Druk op de vergrendelingshendel voor persvoet (14). De persvoet (11) komt los.
3. Plaats de persvoet (11) onder de persvoethouder (12) en laat de persvoethendel (27) zakken. De persvoet (11) wordt op zijn plaats vastgezet.

6.5 De persvoethouder verwijderen of aanbrengen

OPMERKING Verwijder de persvoet (11) voordat de persvoethouder (12) wordt afgehaald. Zie de sectie “De persvoet verwijderen of aanbrengen” voor meer informatie.

1. Draai het handwiel (21) tegen de klok in om de naald (15) naar zijn hoogste positie te brengen. Breng de persvoethendel (27) omhoog.



2. Draai de stelschroef voor persvoet (13) tegen de klok in los met behulp van de schroevendraaier (niet inbegrepen). Verwijder de persvoethouder (12).
- Om de persvoethouder (12) te bevestigen, breng deze terug aan en draai de stelschroef voor persvoet (13) met de klok mee vast.

7. Bediening

7.1 In-/uitschakelen

Het product kan zowel op de netvoeding worden aangesloten of op batterijen werken.

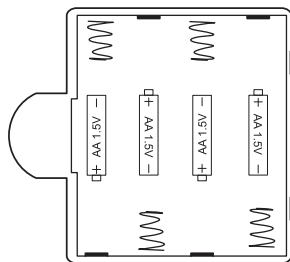
7.1.1. De netadapter gebruiken

⚠ WAARSCHUWING Gevaar voor elektrische schokken!

► Wanneer de netadapter wordt gebruikt, verwijder alle batterijen uit het product.

1. Sluit de netadapter (37) aan op de voedingsaansluiting (29) en steek de stekker vervolgens in een gepast stopcontact.
2. Na gebruik, stel de bedieningsschakelaar (8) in op de positie "OFF" (uit) en haal de stekker uit het stopcontact.

7.1.2. Batterijen gebruiken



1. Open het deksel van het batterijvak (28) aan de onderkant van het product.
2. Installeer 4 batterijen (Type AA, 1,5 V). Zorg dat de polariteit (+ en -) juist is.
3. Breng het batterijdeksel opnieuw aan.

7.2 De voetpedaal gebruiken

⚠ VOORZICHTIG Risico voor letsel!

► Zorg dat de bedieningsschakelaar op de positie "OFF" is ingesteld alvorens de voetpedaal aan te brengen.

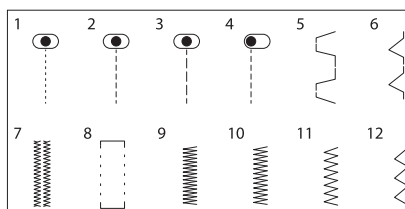
1. Sluit de stekker van de voetpedaal (36) aan op de voetpedaalaansluiting (30).
2. Plaats de voetpedaal (36) op de vloer.

7.3 Patroon selecteren

⚠ VOORZICHTIG Risico op schade!

► Draai niet aan het patroonkeuzewiel wanneer de naald zich in de stof bevindt. De naald kan buigen of breken.

Dit product is voorzien van 12 verschillende steken voor meerdere doeleinden. Draai het patroonkeuzewiel (5) naar het gewenste steekpatroon.



OPMERKING

De verschillende steekpatronen vereisen een verschillende draadspanning. Pas de draadspanningsregelaar (3) aan telkens het steekpatroon wordt gewijzigd. De bovendraad kan tijdens het naaien breken of verslappen.

7.4 De basis van het naaien

VOORZICHTIG

- ▶ De boven- en spoeldraad moeten juist zijn aangebracht.
- ▶ Zorg dat de bovendraadspanning juist is ingesteld.

OPMERKING

Druk op de lichtschakelaar (20) om de verlichting aan of uit te zetten.

1. Breng de persvoethendel (27) omhoog.
2. Trek de boven- en spoeldraad achteruit zodat er zich minstens 10 cm losse draad aan de achterkant van het product bevindt.
3. Plaats de stof onder de persvoet (11) en breng de persvoethendel (27) omlaag om de stof op zijn plaats vast te zetten.
4. Draai het handwiel (21) tegen de klok in om de naald (15) in de stof te laten zakken.
5. Start met naaien.

OPMERKING

U kunt met gebruik van de voetpedaal (36) of de bedieningsschakelaar (8) naaien.

⚠ VOORZICHTIG Risico voor letsel!

- ▶ Wanneer de bedieningsschakelaar (8) wordt gebruikt, ontkoppel de voetpedaal (36) van het product om ongewenste activering te vermijden.

- ▶ Met de voetpedaal (36): duw lichtjes met uw voet op de voetpedaal en gebruik uw handen om de stof te begeleiden. De hoeveelheid druk die u op de voetpedaal uitoefent heeft een impact op de naaisnelheid. Druk lichtjes voor een lage snelheid en druk harder voor een hogere snelheid.
- ▶ Met de bedieningsschakelaar (8): Stel de bedieningsschakelaar in op de positie “L” (lage snelheid) of “H” (hoge snelheid) en gebruik uw handen om de stof te begeleiden.

7.4.1. De naairichting wijzigen

1. Stop met naaien en draai het handwiel (21) tegen de klok in om de naald in de stof te laten zakken. Breng de persvoethendel (27) omhoog.
2. Wijzig de naairichting door de stof rond de naald te draaien.
3. Breng de persvoethendel (27) opnieuw omlaag om verder te naaien.

7.4.2. De stof verwijderen en de draden doorknippen

1. Na het naaien, draai het handwiel (21) tegen de klok in om de naald (15) naar zijn hoogste positie te brengen. Breng de persvoethendel (27) omhoog.
2. Til de stof op en trek de draden naar achteren zodat er minstens 10 cm losse draad is.
3. Breng de draden op de draadafsnijder (19) aan en duw ze omlaag om door te knippen.

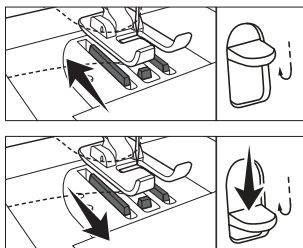
7.5 Achteruit naaien

OPMERKING

Naai niet meer dan 6 steken achteruit per keer.

Achteruit naaien wordt gebruikt om een lijn steken af te werken of om bepaalde zones extra te verstevigen.

De beweging van de transporteur (32) wordt omgedraaid om de stof tijdens het naaien achteruit te bewegen en de steken met een knoop vast te zetten.



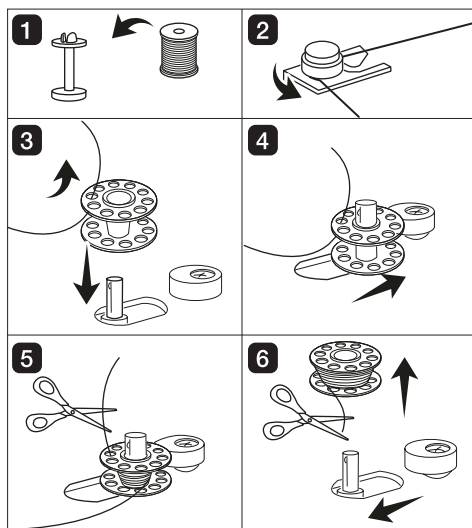
- ▶ Houd de achteruitknop (7) ingedrukt om over de vorige steken achteruit te naaien en ze vast te zetten.

7.6 De spoel opwinden

OPMERKING

Beweeg de opwindstang (23) niet wanneer het product in werking is.

De naaibeweging van het product is tijdens het opwinden uitgeschakeld.



1. Breng een draadklos (34) op de klossen (24) aan.
2. Trek aan de draad en steek het door de draadschijfgeleider (26).

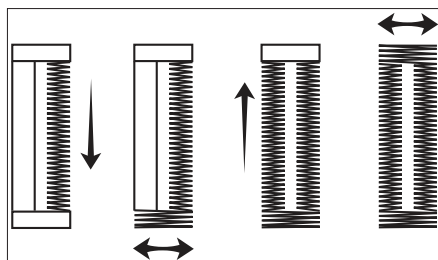
3. Steek de draad van binnen naar buiten door een van de gaten in een lege spoel (33). Met de draad komende vanaf boven, zet de spoel (33) stevig op de opwindstang (23) vast.
4. Duw de opwindstang (23) naar rechts richting de spoelblokker (22).
5. Houd het vrije uiteinde van de draad vast en gebruik de voetpedaal (36) of de bedieningsschakelaar (8) om de spoel op te winden. Wanneer er enkele lagen zijn opgewonden, stop met opwinden en knip het vrije uiteinde van de draad af.
6. Hervat het opwinden totdat de spoel (33) mooi is gevuld.
Wanneer vol, knip de draad door en duw de opwindstang (23) naar links om de spoel (33) af te halen.

7.7 Knoopsgaten naaien

OPMERKING

Voor het naaien van knoopsgaten, gebruik de bedieningsschakelaar (8).

1. Draai het handwiel (21) tegen de klok in om de naald (15) naar zijn hoogste positie te brengen. Breng de persvoethendel (27) omhoog.
2. Verwijder de persvoet. Maak de persvoet voor knoopsgaten (38) vast aan de persvoethouder (12).
3. Markeer de gewenste lengte van het knoopsgat op de stof.
4. Plaats de stof onder de persvoet voor knoopsgaten (38) en breng de persvoethendel (27) omlaag om de stof op zijn plaats vast te zetten.



5. Draai het patroonkeuzewiel (5) naar "7" om tot een gepaste lengte te naaien en schakel de naaimachine vervolgens uit.
6. Wijzig het patroon naar "8" om 5 – 6 steken op een lage snelheid te naaien en schakel de naaimachine vervolgens uit.
7. Wijzig het patroon naar "7" om dezelfde lengte te naaien en schakel de naaimachine vervolgens uit.
8. Wijzig het patroon naar "8" om op een lage snelheid te naaien totdat het knoopsgat volledig is genaaid.
9. Breng de naald (15) naar het hoogste punt en breng de persvoethendel (27) omhoog.
10. Verwijder de stof en knip de draden door. Knip de opening met behulp van een tornmesje (niet inbegrepen).

8. Reiniging en Onderhoud

⚠ WAARSCHUWING Gevaar voor elektrische schokken!

- ▶ Om elektrische schokken te vermijden, ontkoppel het product van de voeding en verwijder de batterijen voordat het product wordt gereinigd.
- ▶ Dompel de elektrische onderdelen van het product tijdens het reinigen niet onder in water of een andere vloeistof. Houd het product nooit onder stromend water.

8.1 Reiniging

- ▶ Maak het product schoon met een zachte en licht bevochtigde doek.
- ▶ Veeg het product droog na het reinigen.
- ▶ Maak het product nooit schoon met een bijtend schoonmaakmiddel, staalborstel, schuursponsje, metalen of scherp gereedschap.
- ▶ Pluis en stukjes draad kunnen onder het spoeldeksel ophopen. Controleer het regelmatig en reinig het met een pluisborstel (niet inbegrepen), indien nodig.

8.2 Opslag

- ▶ Berg het product op in de originele verpakking en in een droge ruimte. Houd het uit de buurt van kinderen en huisdieren.

8.3 Onderhoud

- ▶ Onderhoud- of reparatiewerkzaamheden die niet in deze gebruiksaanwijzing zijn vermeld moeten door een vakbekwaam servicecentrum worden uitgevoerd.

9. Afdanking



De Richtlijn inzake Afgedankte Elektrische en Elektronische Apparatuur (AEEA) heeft als doel de impact van elektrische en elektronische goederen tot een minimum te beperken door hergebruik en recycling te stimuleren en de hoeveelheid AEEA die op de stortplaats terecht komt te beperken. Het symbool op dit product of de verpakking geeft aan dat dit product aan het einde van zijn levensduur niet samen met het huisvuil mag worden weggegooid. Het is uw verantwoordelijkheid om het elektronisch apparaat in te leveren bij een milieustation om bij te dragen tot het behoud van onze natuurlijke rijkdommen. Elk land dient zijn inzamelpunten te hebben voor het recyclen van elektrische en elektronische apparatuur. Voor meer informatie over de milieustations, neem contact op met de juiste instantie in uw gemeente.

10. Verwijdering Van de Accu



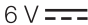
Gooi gebruikte batterijen nooit weg met uw huisvuil. Lever deze in bij een geschikt inzamelpunt.

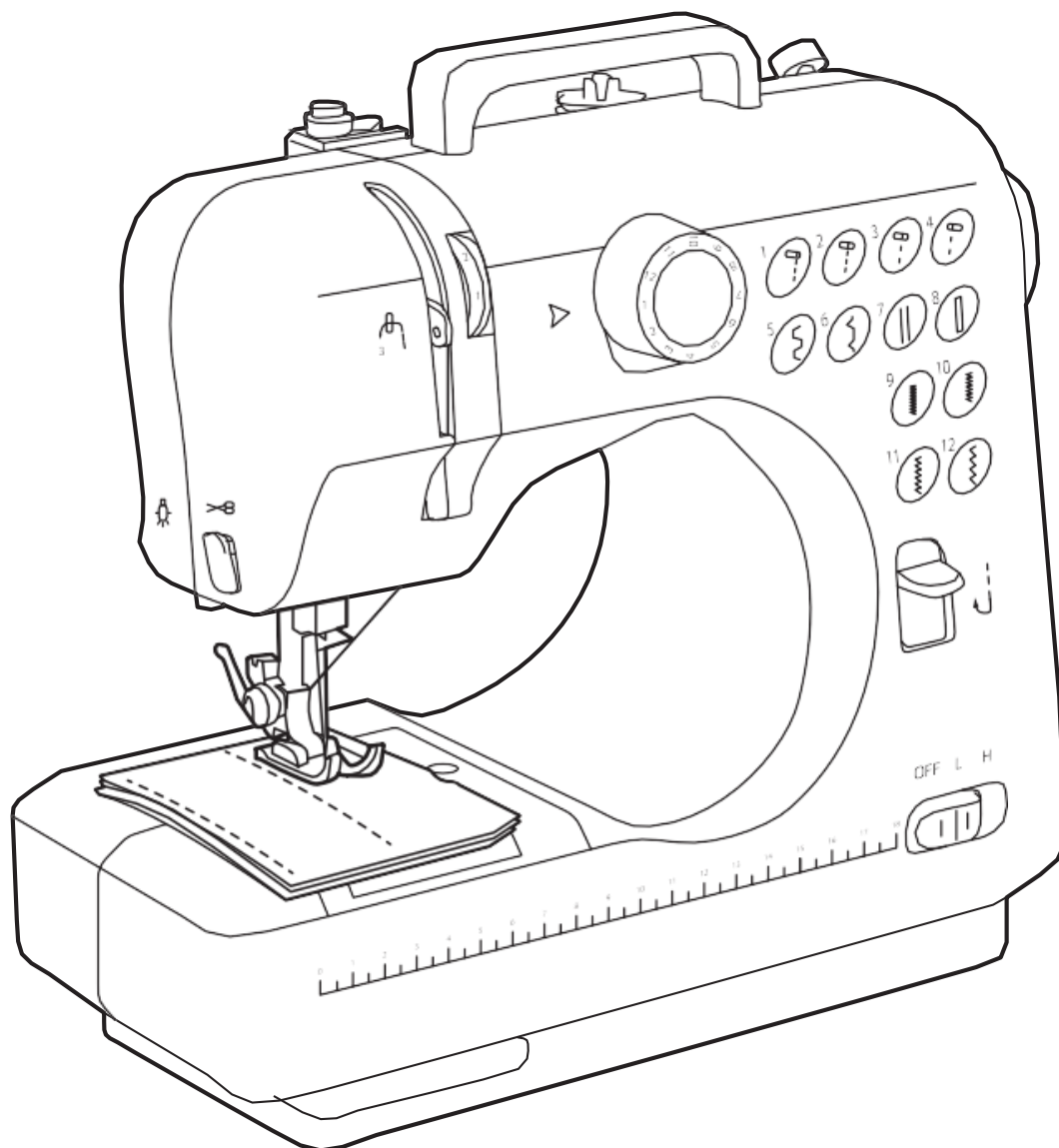
11. Probleemoplossing

| Probleem | Oplossing |
|--------------------------------|--|
| Het product start niet. | <ul style="list-style-type: none"> ▶ Controleer of de stekker in het stopcontact zit. Controleer of de voedingsaansluiting juist werkt. ▶ Controleer of de batterijen juist zijn geplaatst of niet leeg zijn. ▶ Controleer of de voetpedaal juist op de voetpedaalaansluiting is aangesloten. |
| De draad breekt. | <ul style="list-style-type: none"> ▶ De draadspanning is niet juist ingesteld voor het gekozen steekpatroon of het type stof. Pas de spanning aan met behulp van de draadspanningsregelaar. ▶ Controleer of de naald niet gebogen is of als de steel van de naald niet juist is aangebracht. Breng de naald opnieuw aan of vervang deze. ▶ Controleer of de boven- en spoeldraad naar achteren en onder de persvoet zijn aangebracht. ▶ Controleer of er geen pluis in het spoelvak is opgehoopt. Maak schoon met een fijne borstel. |
| Er worden steken overgeslagen. | <ul style="list-style-type: none"> ▶ Controleer of het product juist van draad is voorzien. Breng de draden opnieuw aan. ▶ Controleer of de persvoet niet te los zit. Zorg dat de persvoethendel volledig omlaag is gebracht. ▶ Controleer of de naald niet gebogen of beschadigd is. Breng de naald opnieuw aan of vervang deze. |
| De naald breekt. | <ul style="list-style-type: none"> ▶ Vervang door een nieuwe naald en zorg dat deze juist en stevig wordt vastgemaakt. |

12. Specificaties

12.1 Naaimachine

| | |
|------------------------|---|
| Modelnummer | TCSMC002 |
| Nominale spanning | 6 V  |
| Type batterij | 4 x 1,5 V AA, LR6, R6 |
| Stroomsterkte | 1,2 A |
| Stroomverbruik | 7,2 W |
| Beschermingsklasse | Klasse II |
| Nettogewicht | ong. 2 kg |
| Afmetingen (B x H x D) | ong. 28,5 x 26,1 x 12,4 cm |



Haushaltsnähmaschine mit 12 Stichfunktionen

Bedienungsanleitung

Inhaltsangabe

1. **Wichtige Sicherheitsvorschriften**
2. **Warnhinweise zur Batterie**
3. **Vor der ersten Inbetriebnahme**
4. **Beabsichtigte Nutzung**
5. **Produktbeschreibung**
6. **Einrichten des Nähens**
 - 6.1 Einfädeln des Oberfadens
 - 6.2 Einsetzen der Spule
 - 6.3 Auswechseln der Nadel
 - 6.4 Nähfuß abnehmen oder anbringen
 - 6.5 Abnehmen oder Anbringen der Nähfußstütze
7. **Bedienung**
 - 7.1 Einschalten/Ausschalten
 - 7.2 Anschluss an das Fußpedal
 - 7.3 Muster auswählen
 - 7.4 Grundlegendes Nähen
 - 7.5 Rückwärtsnähen
 - 7.6 Aufwickeln der Spule
 - 7.7 Knopfloch nähen
8. **Reinigung und Wartung**
 - 8.1 Reinigung
 - 8.2 Lagerung
 - 8.3 Wartung
9. **Entsorgung**
10. **Batterieentsorgung**
11. **Fehlersuche**
12. **Technische Daten**
 - 12.1 Nähmaschine

1. Wichtige Sicherheitsvorschriften

Lesen Sie diese Anleitung sorgfältig durch und bewahren Sie sie zur späteren Verwendung auf. Wenn dieses Produkt an eine dritte Person weitergegeben wird, muss diese Anleitung mitgegeben werden.

Bei der Verwendung von Elektrogeräten sollten immer grundlegende Sicherheitsvorkehrungen getroffen werden, um die Gefahr von Bränden, Stromschlägen und/oder Verletzungen zu verringern:



ACHTUNG

**Es besteht Verletzungsgefahr!
Gefahr der Beschädigung!**

- Dieses Gerät kann von Kindern ab 8 Jahren und darüber sowie von Personen mit verringerten physischen,

sensorischen oder geistigen Fähigkeiten oder Mangel an Erfahrung und Wissen benutzt werden, wenn sie beaufsichtigt oder bezüglich des sicheren Gebrauchs des Geräts unterwiesen wurden und die damit verbundenen Gefahren verstehen.

- Kinder dürfen nicht mit dem Gerät spielen.
- Reinigungs- und Wartungsarbeiten dürfen von Kindern nicht ohne Aufsicht durchgeführt werden.
- Das Gerät darf nur mit dem mitgelieferten Netzgerät verwendet werden.
- Ziehen Sie den Stecker aus der Steckdose, bevor Sie Wartungsarbeiten durchführen oder Lampen auswechseln.
- Trennen Sie das Gerät vom Stromnetz und nehmen Sie die Batterien heraus,

wenn Sie Einstellungen im Nadelbereich vornehmen, z. B. die Nadel einfädeln, die Nadel wechseln, die Spule einfädeln oder den Nähfuß wechseln.

- Schalten Sie das Gerät aus oder ziehen Sie den Netzstecker, wenn Sie es unbeaufsichtigt lassen.
- Verwenden Sie das Gerät nur für den in dieser Anleitung beschriebenen Zweck.
- Halten Sie die Finger von allen beweglichen Teilen fern. Besondere Vorsicht ist im Bereich der Nähmaschinennadel geboten.



VORSICHT

Gefahr eines Stromschlags!

- Versuchen Sie nicht, das Gerät selbst zu reparieren. Im Falle einer Fehlfunktion dürfen Reparaturen nur von qualifiziertem Personal durchgeführt werden.
 - Tauchen Sie die elektrischen Teile des Geräts nicht in Wasser oder andere Flüssigkeiten ein. Halten Sie das Gerät niemals unter fließendes Wasser.
 - Bedienen Sie das Gerät nicht mit nassen Händen oder wenn Sie auf einem nassen Boden stehen. Fassen Sie den Netzstecker nicht mit nassen Händen an.
 - Ziehen Sie den Stecker aus der Steckdose und nehmen Sie die Batterien aus dem Gerät, wenn Sie es nicht benutzen, bevor Sie es warten oder reinigen.
 - Überprüfen Sie den Stecker und das Netzkabel regelmäßig auf Beschädigungen. Wenn das Kabel beschädigt ist, sollte der Netzadapter entsorgt werden.
-
- Verwenden Sie niemals Zubehör, das nicht vom Hersteller empfohlen wird. Verwenden Sie nur Originalteile und -zubehör.
 - Stellen Sie das Gerät auf eine ebene, trockene und ausreichend stabile Fläche.
 - Stellen Sie das Gerät nicht auf oder in die Nähe von heißen Oberflächen.

- Verlegen Sie das Netzkabel so, dass kein unbeabsichtigtes Ziehen oder Stolpern darüber möglich ist.
- Schauen Sie beim Nähen nie von der Nadel weg.
- Ziehen oder schieben Sie beim Nähen nicht am Stoff. Er könnte die Nadel ablenken und zum Bruch führen.
- Verwenden Sie keine verbogenen, stumpfen oder beschädigten Nadeln.

2. Warnhinweise zur Batterie

Hinweis

Die Batterien sind nicht im Lieferumfang enthalten.

- Legen Sie die Batterien immer richtig ein und achten Sie dabei auf die Polarität (+ und -), die auf der Batterie und dem Produkt angegeben ist.
- Leere Batterien sollten sofort aus dem Produkt entfernt und ordnungsgemäß entsorgt werden.
- Entfernen Sie die Batterien aus dem Produkt, wenn es über einen längeren Zeitraum nicht benutzt werden soll.

3. Vor der ersten Inbetriebnahme



GEFAHR

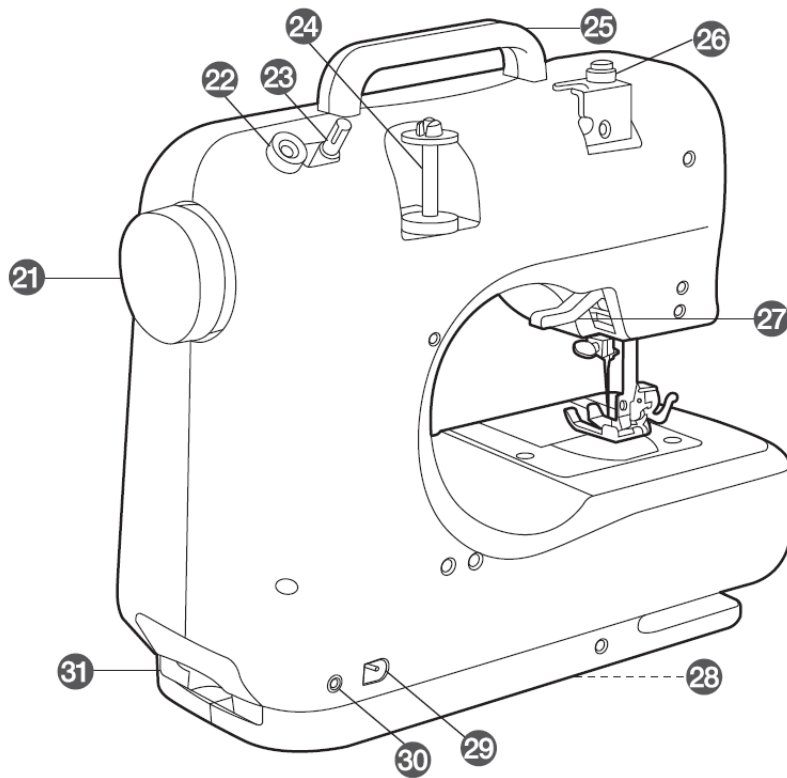
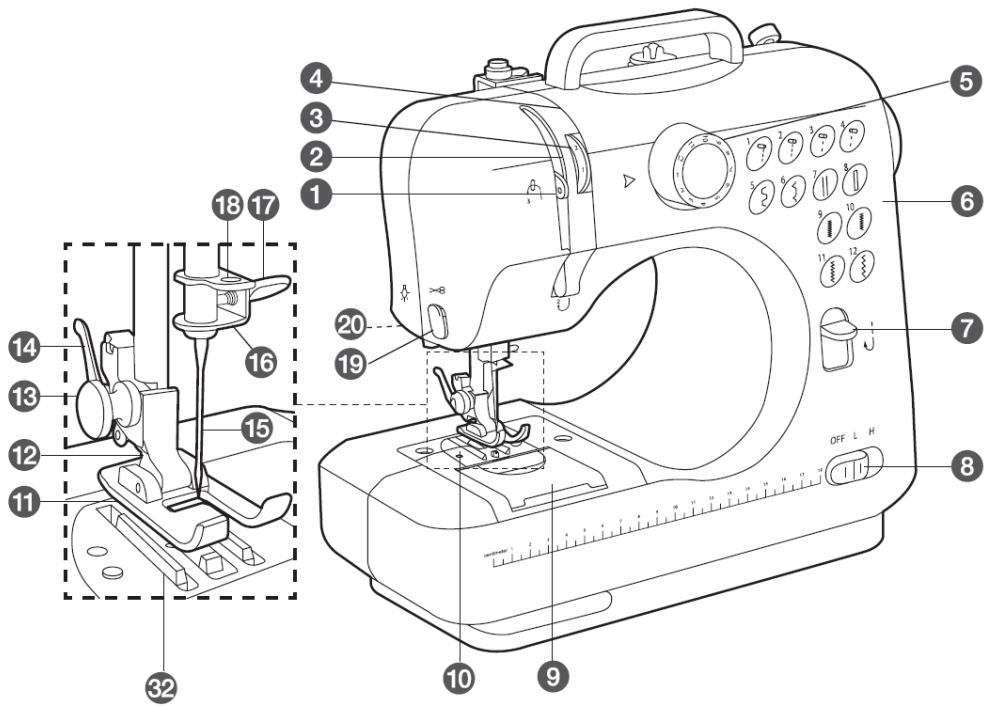
Es besteht Erstickungsgefahr!

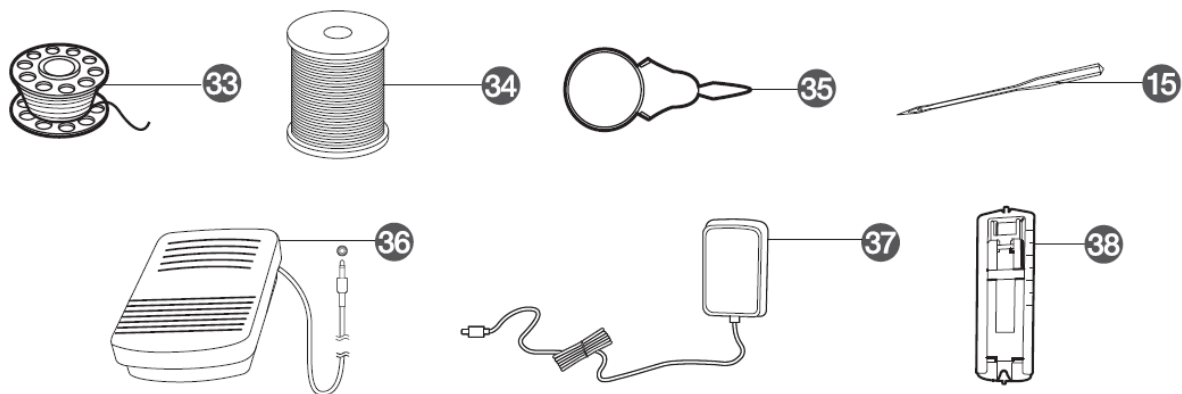
- Halten Sie Verpackungsmaterialien von Kindern fern - diese Materialien stellen eine potenzielle Gefahrenquelle dar, z.B. Erstickungsgefahr.
-
- Überprüfen Sie das Produkt auf Transportschäden.
 - Entfernen Sie das gesamte Verpackungsmaterial.
 - Das Produkt wird vorgefädelt geliefert.
 - Entfernen Sie das Testtuch auf dem Nähtisch, indem Sie den Nähfußhebel anheben und die Fäden abschneiden.
 - Bevor Sie das Gerät an das Stromnetz anschließen, überprüfen Sie, ob die Spannung und Stromstärke des Netzes mit den Angaben auf dem Typenschild des Geräts übereinstimmen.

4. Beabsichtigte Nutzung

- Dieses Produkt ist zum Nähen von Stoffen und anderen ähnlichen weichen Materialien, wie dünnem Leder oder Papier, unter Verwendung von Baumwoll- oder Synthetikfäden bestimmt.
- Dieses Produkt ist nur für den Hausgebrauch bestimmt. Es ist nicht für den gewerblichen Gebrauch bestimmt.
- Dieses Produkt ist nur für den Gebrauch in trockenen Innenräumen bestimmt.
- Für Schäden, die durch unsachgemäßen Gebrauch oder Nichtbeachtung dieser Anleitung entstehen, wird keine Haftung übernommen.

5. Produktbeschreibung





1. Fadenanzugshebel
2. Fadenführung 2
3. Einstellrad für die Fadenspannung
4. Fadenführung 1
5. Musterwahlrad
6. Musteranzeigefeld
7. Rückwärtsnähtaste
8. Steuerschalter
9. Spulenabdeckung
10. Nadelteller
11. Nähfuß
12. Nähfußstütze
13. Nähfußstellschraube
14. Nähfußsperrhebel
15. Nadel (Größe 90 /14) x 2*
16. Nadelklemme
17. Schraube der Nadelklemme
18. Fadenloch
19. Fadenschneider
20. Lichtschalter

21. Handrad
22. Spulenblocker
23. Spulbalken
24. Spulstift
25. Tragegriff
26. Fadenscheibenführung
27. Nähfußhebel
28. Batteriefach
29. Steckdose
30. Fußpedalbuchse
31. Zubehörbox
32. Transporteur
33. Spule (mit Faden) x 2*
34. Fadenspule x 2*
35. Nadeleinfädler
36. Fußpedal
37. Netzadapter
38. Knopfloch-Nähfuß

**inklusive der vorinstallierten Teile*

6. Einrichten des Nähens



VORSICHT

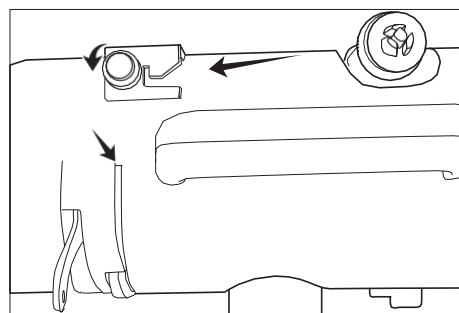
Es besteht Verletzungsgefahr! Gefahr der Beschädigung!

Ziehen Sie den Stecker aus der Steckdose und nehmen Sie die Batterien heraus, wenn Sie Einstellungen im Nadelbereich vornehmen, z. B. die Nadel einfädeln, die Nadel wechseln, die Spule einfädeln oder den Nähfuß wechseln.

6.1 Einfädeln des Oberfadens

1. Drehen Sie das Handrad (21) gegen den Uhrzeigersinn, um die Nadel (15) in die

höchste Stellung zu bringen und den Nähfußhebel (27) anzuheben.

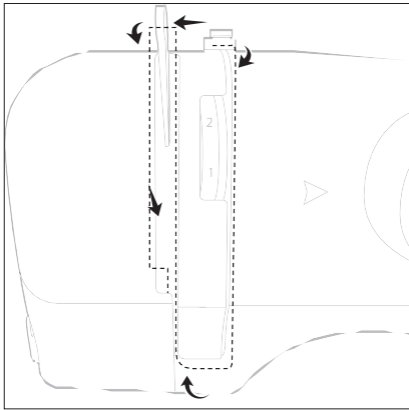


2. Gewünschte Fadenspule (34) auf den Spulstift (24) stecken. Faden ziehen und über die Fadenscheibenführung (26) um

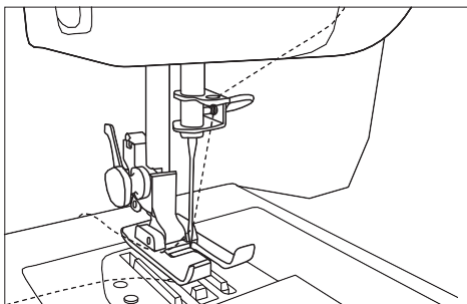
eine Ecke drehen und dann durch die Fadenführung 1 (4) nach unten ziehen.

Hinweis

Die Fadenspannung kann nur eingestellt werden, wenn der Oberfaden richtig in der Fadenführung 1 (4) sitzt.

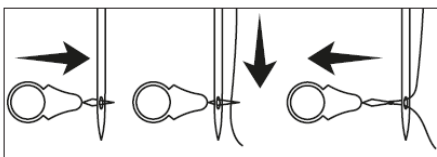


3. Führen Sie den Faden in einer Schlaufe durch die Fadenführung 2 (2) und führen Sie ihn von rechts nach links durch das Loch des Fadenanzugshebel (1).



4. Ziehen Sie ihn wieder nach unten und führen Sie ihn durch das Fadenloch (18).
5. Führen Sie das Ende des Fadens von vorne nach hinten durch das Nadelöhr (15).
6. Ziehen Sie etwa 10 cm des Fadens heraus und legen Sie ihn nach hinten unter den Nähfuß (11).

6.1.1. Verwendung des Nadeleinfädlers



1. Führen Sie den Nadeleinfädler (35) von hinten nach vorne durch das Nadelöhr (15).

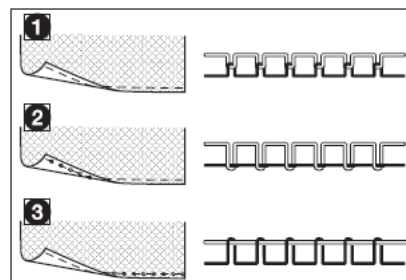
2. Führen Sie den Faden durch die Drahtschlinge des Nadeleinfädlers (35).
3. Ziehen Sie den Nadeleinfädler (35) zusammen mit dem Faden durch das Öhr zurück.

6.1.2. Einstellen der Fadenspannung

Die Fadenspannung sollte für verschiedene Stoffe angepasst werden. Die erforderliche Spannung hängt vom Gewicht und der Dicke des Stoffes ab.

Drehen Sie das Fadenspannungs-Einstellrad (3), um die Spannung des Oberfadens einzustellen:

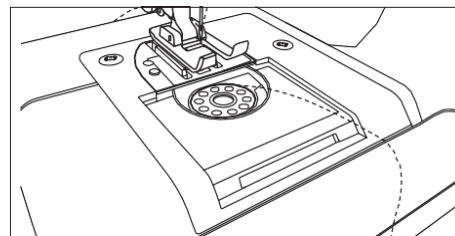
- Um die Spannung zu erhöhen, drehen Sie das Fadenspannungs-Einstellrad (3) auf eine höhere Zahl.
- Um die Spannung zu verringern, drehen Sie das Einstellrad für die Fadenspannung (3) auf einen niedrigeren Wert.



1. Normale Fadenspannung
2. Oberfadenspannung zu locker
3. Oberfadenspannung zu fest

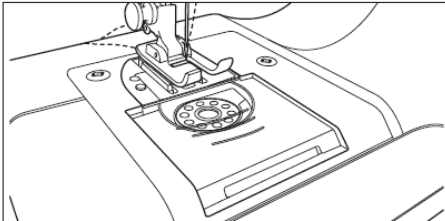
6.2 Einsetzen der Spule

1. Drehen Sie das Handrad (21) gegen den Uhrzeigersinn, um die Nadel (15) auf den höchsten Punkt anzuheben.
2. Schieben Sie die Spulenabdeckung (9), um sie zu entfernen.



3. Legen Sie eine Spule (33) mit dem Faden im Uhrzeigersinn in ihre Kammer. Ziehen Sie den Faden nach hinten, so dass mindestens 10 cm loser Faden vorhanden sind.

- Halten Sie das Ende des Oberfadens fest und drehen Sie mit der anderen Hand das Handrad (21) gegen den Uhrzeigersinn, bis die Nadel wieder angehoben ist.
- Ziehen Sie am Oberfaden, um den Unterfaden durch das Stichloch des Nähfußes (11) zu ziehen.

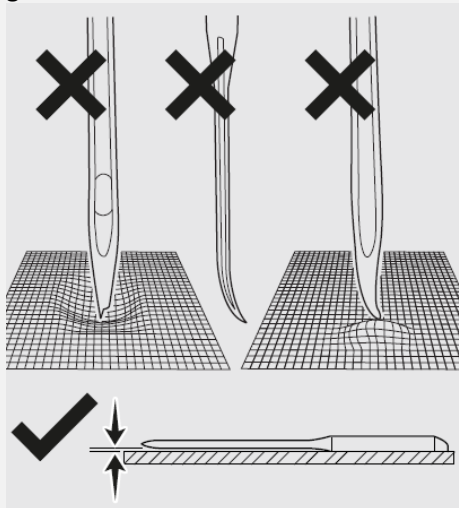


- Bringen Sie die Spulenabdeckung (9) wieder an. Ziehen Sie ca. 10 cm der beiden Fäden heraus und legen Sie sie nach hinten unter den Nähfuß (11).

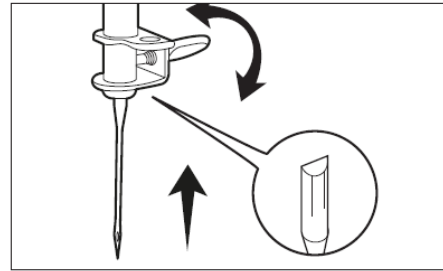
6.3 Auswechseln der Nadel

Hinweis

Wechseln Sie die Nadel regelmäßig. Verbogene, stumpfe oder beschädigte Nadeln können Schäden am Produkt oder Stoff verursachen. Um optimale Nähergebnisse zu erzielen, sollte die Nadel gerade und scharf sein:



- Drehen Sie das Handrad (21) gegen den Uhrzeigersinn, um die Nadel (15) bis zum höchsten Punkt anzuheben. Senken Sie den Nähfußhebel (27) ab.



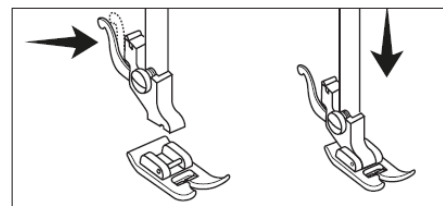
- Drehen Sie die Schraube der Nadelklemme (17) gegen den Uhrzeigersinn, um sie zu lösen, und entfernen Sie die Nadel aus der Nadelklemme (16).
- Setzen Sie eine neue Nadel in die Nadelklemme (16) ein, wobei die flache Seite ihres Schafts zur Rückseite des Produkts zeigt.
- Drücken Sie die Nadel ganz in die Nadelklemme (16) und ziehen Sie die Schraube der Nadelklemme (17) fest, um die Nadel zu sichern.

6.4 Nähfuß abnehmen oder anbringen

Der Nähfuß (11) wird verwendet, um den Stoff beim Nähen festzuhalten. Legen Sie den Ober- und Unterfaden vor dem Nähen immer unter den Nähfuß.

Hinweis

Verwenden Sie diese Methode, um den Knopfloch-Nähfuß (38) zu wechseln.



- Drehen Sie das Handrad (21) gegen den Uhrzeigersinn, um die Nadel (15) bis zum höchsten Punkt anzuheben. Heben Sie den Nähfußhebel (27) an.
- Drücken Sie den Nähfußsperrhebel (14). Der Nähfuß (11) senkt sich ab.
- Stellen Sie den Nähfuß (11) unter die Nähfußstütze (12) und senken Sie den Nähfußhebel (27). Der Nähfuß (11) rastet ein.

6.5 Abnehmen oder Anbringen der Nähfußstütze

Hinweis

Entfernen Sie den Nähfuß (11), bevor Sie die Nähfußstütze (12) abnehmen. Einzelheiten finden Sie im Abschnitt "Nähfuß abnehmen oder anbringen".

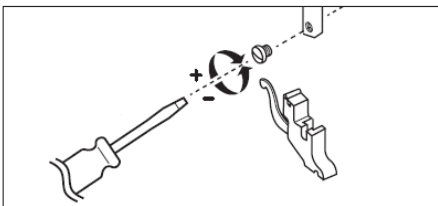
1. Drehen Sie das Handrad (21) gegen den Uhrzeigersinn, um die Nadel (15) bis zum höchsten Punkt anzuheben. Heben Sie den Nähfußhebel (27) an.
2. Drücken Sie den Nähfußsperrhebel (14). Der Nähfuß (11) senkt sich ab.
3. Stellen Sie den Nähfuß (11) unter die Nähfußstütze (12) und senken Sie den Nähfußhebel (27). Der Nähfuß (11) rastet ein.

6.5 Abnehmen oder Anbringen der Nähfußstütze

Hinweis

Entfernen Sie den Nähfuß (11), bevor Sie die Nähfußstütze (12) abnehmen. Einzelheiten finden Sie im Abschnitt "Nähfuß abnehmen oder anbringen".

1. Drehen Sie das Handrad (21) gegen den Uhrzeigersinn, um die Nadel (15) bis zum höchsten Punkt anzuheben. Heben Sie den Nähfußhebel (27) an.



2. Lösen Sie die Nähfußstellschraube (13), indem Sie einen Schraubendreher (nicht im Lieferumfang enthalten) gegen den Uhrzeigersinn drehen. Entfernen Sie die Nähfußstütze (12).
- Bringen Sie die Nähfußstütze (12) wieder an und befestigen Sie sie durch Drehen im Uhrzeigersinn, indem Sie die Nähfußstellschraube (13) anziehen.

7. Bedienung

7.1 Einschalten/Ausschalten

Das Produkt kann entweder an die Steckdose angeschlossen oder mit Batterien betrieben werden.

7.1.1. Verwendung des Netzadapters



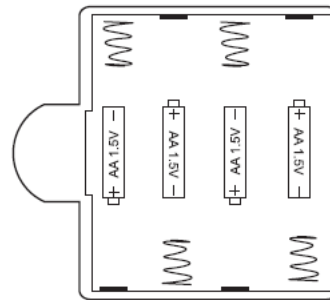
WARNUNG

Gefahr eines Stromschlags!

Wenn Sie den Netzadapter verwenden, nehmen Sie alle Batterien aus dem Gerät.

1. Schließen Sie den Netzadapter (37) an die Steckdose (29) und dann an eine geeignete Steckdose an.
2. Stellen Sie nach dem Gebrauch den Steuerschalter (8) auf "OFF" und ziehen Sie den Stecker aus der Steckdose.

7.1.2. Batterien verwenden



1. Öffnen Sie die Abdeckung des Batteriefachs (28) an der Unterseite des Geräts.
2. Legen Sie 4 Batterien (Typ AA, 1,5 V) ein. Achten Sie auf die richtige Polarität (+ und -).
3. Bringen Sie den Batteriefachdeckel wieder an.

7.2 Anschluss an das Fußpedal



ACHTUNG

Verletzungsrisiko

Vor dem Anschließen des Fußpedals muss der Steuerschalter in die Position "OFF" gestellt werden.

1. Stecken Sie den Stecker des Fußpedals (36) in die Fußpedalbuchse (30).
2. Stellen Sie das Fußpedal (36) auf den Boden.

7.3 Muster auswählen

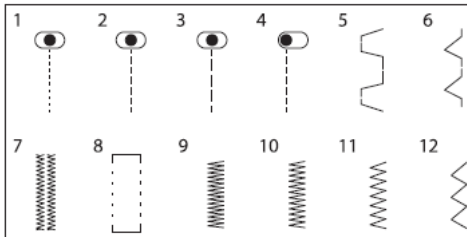


ACHTUNG

Beschädigungsrisiko

Drehen Sie das Musterauswahlrad nicht, wenn die Nadel in den Stoff eingestochen ist. Andernfalls kann sich die Nadel verbiegen oder brechen.

Dieses Produkt enthält 12 Sticharten für verschiedene Zwecke. Drehen Sie das Musterwahlrad (5), um das gewünschte Stichmuster auszuwählen.



Hinweis

Unterschiedliche Stichmuster erfordern unterschiedliche Fadenspannungen. Das Fadenspannungs-Einstellrad (3) muss bei jeder Änderung des Stichmusters neu eingestellt werden. Andernfalls reißt der Oberfaden beim Nähen oder lockert sich.

7.4 Grundlegendes Nähens



ACHTUNG

- Der Ober- und der Unterfaden müssen richtig eingefädelt sein.
- Die richtige Oberfadenspannung muss eingestellt sein.

Hinweis

Drücken Sie den Lichtschalter (20), um das Licht ein- oder auszuschalten.

1. Heben Sie den Nähfußhebel (27) an.
2. Ziehen Sie den Ober- und den Unterfaden zurück, so dass auf der Rückseite des Produkts mindestens 10 cm loser Faden verbleibt.
3. Legen Sie den Stoff unter den Nähfuß (11) und stellen Sie den Nähfußhebel (27) nach unten, um den Stoff zu fixieren.

4. Drehen Sie das Handrad (21) gegen den Uhrzeigersinn, um die Nadel (15) in den Stoff abzusenken.
5. Mit dem Nähen beginnen.

Hinweis

Sie können entweder mit dem Fußpedal (36) oder mit dem Steuerschalter (8) nähen.



ACHTUNG

Verletzungsrisiko

- Bei Verwendung des Steuerschalters (8) muss das Fußpedal (36) vom Gerät getrennt werden, um eine versehentliche Auslösung zu vermeiden.
- Mit dem Fußpedal (36): Drücken Sie Ihren Fuß leicht auf das Fußpedal und führen Sie den Stoff mit den Händen durch. Der Druck auf das Fußpedal beeinflusst die Nähgeschwindigkeit. Leichter Druck bedeutet langsame Geschwindigkeit, festerer Druck bedeutet höhere Geschwindigkeit.
- Mit dem Steuerschalter (8): Stellen Sie den Steuerschalter auf die Position "L" (niedrige Geschwindigkeit) oder "H" (hohe Geschwindigkeit) und führen Sie den Stoff mit den Händen durch.

7.4.1. Ändern der Nährichtung

1. Stoppen Sie das Nähen und drehen Sie das Handrad (21) gegen den Uhrzeigersinn, um die Nadel in den Stoff abzusenken. Heben Sie den Nähfußhebel (27) an.
2. Ändern Sie die Nährichtung, indem Sie den Stoff um die Nadel drehen.
3. Stellen Sie den Nähfußhebel (27) nach unten, um weiterzunähen.

7.4.2. Abnehmen des Stoffes und Abschneiden der Fäden

1. Drehen Sie nach dem Nähen das Handrad (21) gegen den Uhrzeigersinn, um die Nadel (15) an den höchsten Punkt anzuheben. Heben Sie den Nähfußhebel (27) an.
2. Heben Sie den Stoff auf und ziehen Sie die Fäden nach hinten, so dass mindestens 10 cm loser Faden verbleibt.

- Führen Sie die Fäden zum Fadenschneider (19) und schneiden Sie die Fäden mit einer Abwärtsbewegung ab.

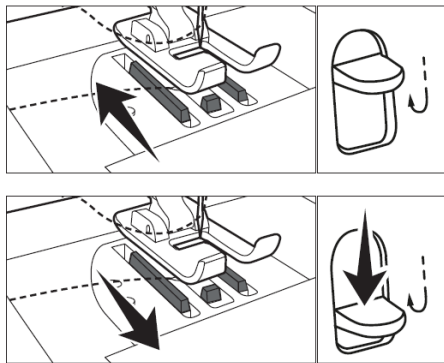
7.5 Rückwärtsnähen

Hinweis

Fügen Sie nicht mehr als 6 Rückwärtsnähte auf einmal hinzu.

Rückwärtsnähen wird verwendet, um eine Reihe von Stichen abzuschließen oder um Stellen zu verstärken, die zusätzliche Festigkeit benötigen.

Die Bewegung des Transporteurs (32) kehrt sich um, um den Stoff während des Nähens zurückzubewegen und einen Verschlussknoten über den Stichen zu bilden.

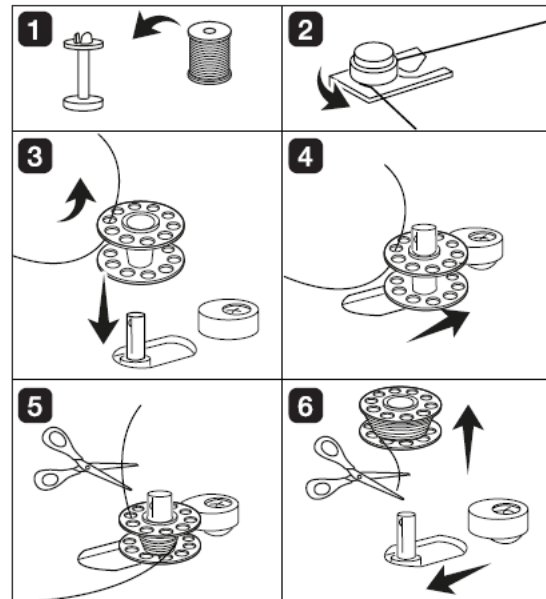


- Halten Sie die Rückwärtsnähtaste (7) gedrückt, um über die vorherigen Stiche zurückzunähen und sie zu sichern.

7.6 Aufwickeln der Spule

Hinweis

Bewegen Sie den Spulbalken (23) nicht, während das Produkt läuft. Die Nähbewegung des Produkts wird durch den Aufwickelvorgang unterbrochen.



- Setzen Sie eine Fadenspule (34) auf den Spulenstift (24).
- Ziehen Sie den Faden von der Spule durch die Fadenscheibenführung (26).
- Führen Sie den Faden von innen nach außen durch ein Loch in einer leeren Spule (33).
- Lassen Sie die Spule (33) mit dem oben herauskommenden Faden auf der Spulbalken (23) einrasten.
- Schieben Sie den Spulbalken (23) nach rechts zum Spulenblocker (22).
- Halten Sie das freie Ende des Fadens fest und beginnen Sie mit dem Aufwickeln, indem Sie das Fußpedal (36) oder den Steuerschalter (8) betätigen. Nach dem Aufwickeln einiger Lagen das Aufwickeln beenden und das freie Fadenende abschneiden.
- Beginnen Sie erneut mit dem Aufwickeln, um die Spule (33) weiter zu füllen.
- Wenn sie voll ist, schneiden Sie den Faden ab und schieben den Spulbalken (23) nach links, um die Spule (33) zu entfernen.

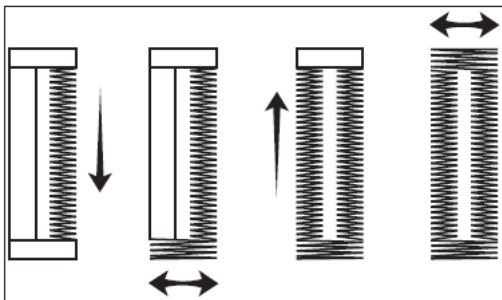
7.7 Knopfloch nähen

Hinweis

Zum Nähen von Knopflöchern verwenden Sie den Steuerschalter (8).

- Drehen Sie das Handrad (21) gegen den Uhrzeigersinn, um die Nadel (15) bis zum

- höchsten Punkt anzuheben. Heben Sie den Nähfußhebel (27) an.
- Entfernen Sie den Nähfuß (11). Bringen Sie den Knopfloch-Nähfuß (38) an der Nähfußstütze (12) an.
 - Markieren Sie die gewünschte Länge des Knopflochs auf dem Stoff.
 - Legen Sie den Stoff unter den Knopfloch-Nähfuß (38) und drücken Sie den Nähfußhebel (27) nach unten, um den Stoff zu fixieren.



- Drehen Sie das Musterwahlrad (5) auf "7", um eine geeignete Länge zu nähen, und schalten Sie es dann aus.
- Ändern Sie das Muster auf "8" zum Nähen von 5 - 6 Stichen bei niedriger Geschwindigkeit und schalten Sie es dann aus.
- Ändern Sie das Muster auf "7" für das Nähen in der gleichen Länge und schalten Sie es dann aus.
- Ändern Sie das Muster auf "8" zum Nähen mit niedriger Geschwindigkeit, bis das Knopfloch vollständig genäht ist.
- Heben Sie die Nadel (15) bis zum höchsten Punkt an und heben Sie dann den Nähfußhebel (27) an.
- Ziehen Sie den Stoff heraus und schneiden Sie die Fäden ab. Schneiden Sie die Öffnung mit einem Nahttrenner (nicht im Lieferumfang enthalten) auf).

8. Reinigung und Wartung



WARNUNG

Gefahr eines Stromschlags!

- Um einen Stromschlag zu vermeiden, ziehen Sie vor der Reinigung den Netzstecker und nehmen Sie die Batterien heraus.

- Tauchen Sie während der Reinigung die elektrischen Teile des Geräts nicht in Wasser oder andere Flüssigkeiten. Halten Sie das Gerät niemals unter fließendes Wasser.

8.1 Reinigung

- Wischen Sie das Produkt mit einem weichen, leicht angefeuchteten Tuch ab, um es zu reinigen.
- Trocknen Sie das Produkt nach der Reinigung ab.
- Verwenden Sie niemals ätzende Reinigungsmittel, Drahtbürsten, Scheuermittel, Metall oder scharfe Gegenstände zur Reinigung des Produkts.
- Unter der Spulenabdeckung können sich Flusen und Fadenreste ansammeln. Prüfen Sie sie regelmäßig und reinigen Sie sie bei Bedarf mit einer feinen Bürste (nicht im Lieferumfang enthalten).

8.2 Lagerung

- Lagern Sie das Produkt in seiner Originalverpackung an einem trockenen Ort. Von Kindern und Haustieren fernhalten.

8.3 Wartung

- Jede andere als die in diesem Handbuch erwähnte Wartung sollte von einer professionellen Reparaturwerkstatt durchgeführt werden.

9. Entsorgung



Die Richtlinie D1 über Elektro- und Elektronik-Altgeräte (WEEE) zielt darauf ab, die Auswirkungen von Elektro- und Elektronikgeräten auf die Umwelt zu minimieren, indem die Wiederverwendung und das Recycling gefördert und die Menge der zu deponierenden Elektro- und Elektronik-Altgeräte reduziert wird. Das Symbol auf diesem Produkt oder seiner Verpackung bedeutet, dass dieses Produkt am Ende seiner Lebensdauer getrennt vom normalen Haushaltsmüll entsorgt werden muss. Bitte beachten Sie, dass es in Ihrer Verantwortung

liegt, elektronische Geräte bei Recycling-Zentren zu entsorgen, um die natürlichen Ressourcen zu schonen. Jedes Land sollte über eigene Sammelstellen für das Recycling von Elektro- und Elektronikgeräten verfügen. Informationen über die für Sie zuständige Recyclingstelle erhalten Sie bei Ihrer zuständigen Behörde für die Entsorgung von Elektro- und Elektronikgeräten, bei Ihrer

Stadtverwaltung oder bei Ihrem Hausmüllentsorgungsdienst.

10. Batterieentsorgung




Entsorgen Sie verbrauchte Batterien nicht über den Hausmüll. Bringen Sie sie zu einer geeigneten Entsorgungs-/Sammelstelle.

11. Problembehebung

| Problem | Lösung |
|---------------------------------------|---|
| Das Produkt lässt sich nicht starten. | <ul style="list-style-type: none"> • Prüfen Sie, ob der Netzstecker mit der Steckdose verbunden ist. Prüfen Sie, ob die Steckdose funktioniert. • Prüfen Sie, ob die Batterien richtig eingelegt wurden oder ob die Batterien leer sind. • Prüfen Sie, ob das Fußpedal richtig an die Fußpedalbuchse angeschlossen ist. |
| Der Faden reißt. | <ul style="list-style-type: none"> • Die Fadenspannung ist für das gewählte Stichmuster oder den Stofftyp nicht richtig eingestellt. Stellen Sie die Spannung mit dem Fadenspannungs-Einstellrad ein. • Prüfen Sie, ob die Nadel verbogen ist oder ob der Nadelschaft nicht richtig sitzt. Setzen Sie die Nadel neu ein oder wechseln Sie sie aus. • Prüfen Sie, ob der Ober- und der Unterfaden nach hinten und unter den Nähfuß gelegt sind. • Prüfen Sie, ob sich in der Spulenkammer Fusseln angesammelt haben. Reinigen Sie sie mit einer feinen Bürste. |
| Stiche werden übersprungen. | <ul style="list-style-type: none"> • Prüfen Sie, ob das Produkt richtig eingeschraubt ist. Fädeln Sie bei Bedarf neu ein. • Prüfen Sie, ob der Nähfuß zu locker sitzt. Vergewissern Sie sich, dass der Nähfußhebel nach unten gestellt ist. • Prüfen Sie, ob die Nadel verbogen oder beschädigt ist. Setzen Sie die Nadel neu ein oder wechseln Sie sie aus. |
| Die Nadel bricht ab. | <ul style="list-style-type: none"> • Wechseln Sie eine neue Nadel aus und achten Sie darauf, dass sie richtig und sicher eingesetzt ist. |

12. Technische Daten

12.1 Nähmaschine

| | |
|-------------------|---|
| Modellnummer | TCSMC002 |
| Spannung | 6 V  |
| Batterietyp | 4x 1,5V AA, LR6, R6 |
| Stromverbrauch | 1,2 A |
| Leistungsaufnahme | 7,2 W |
| Schutzklasse | Class II |
| Gesamtgewicht | ca. 2 kg |
| Abmessungen | ca. 28,5 x 26,1 x 12,4 cm |

Karsten International
Overschiestraat 63
1062 XD Amsterdam
Niederlande
info@karsten.nl