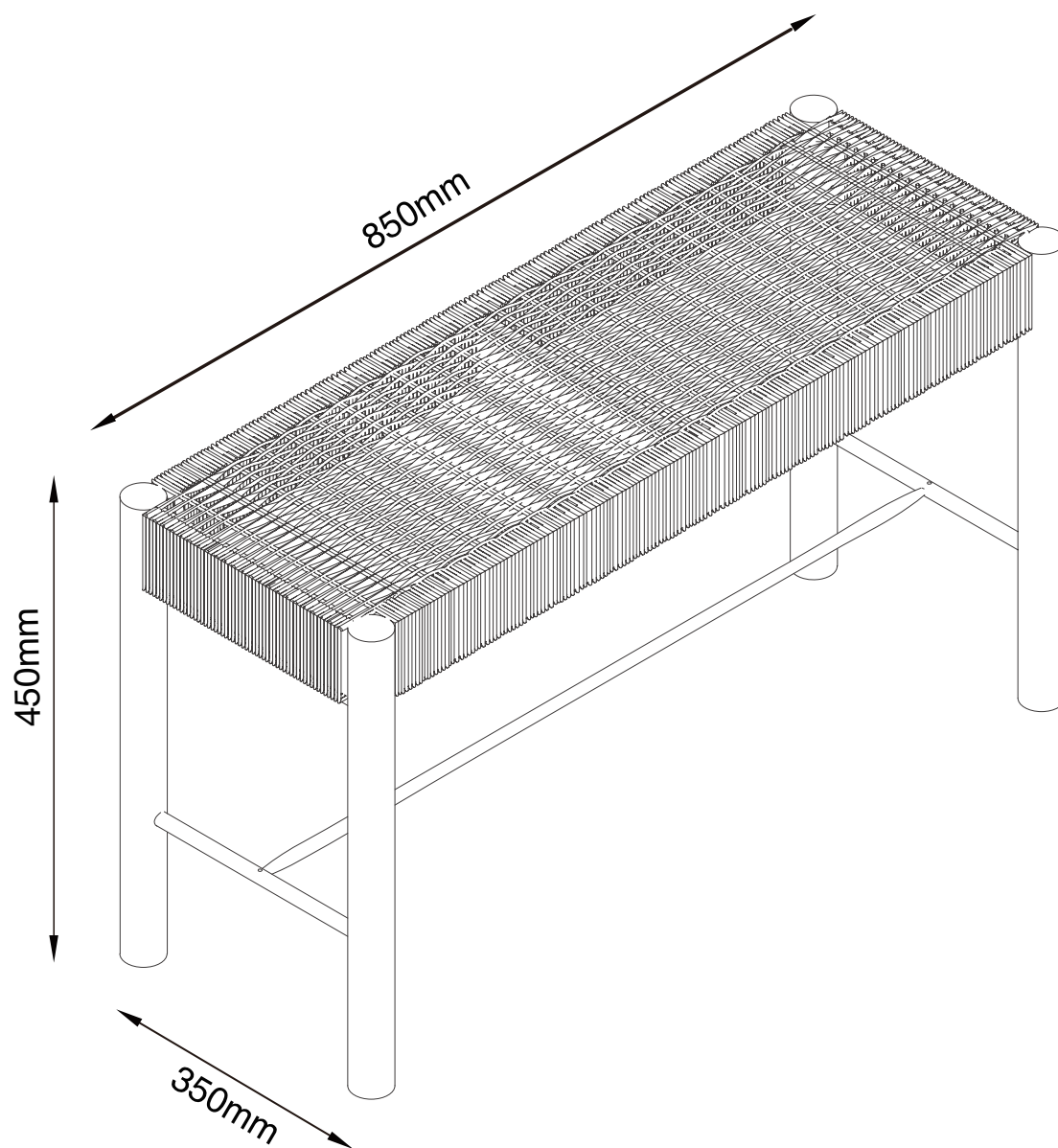
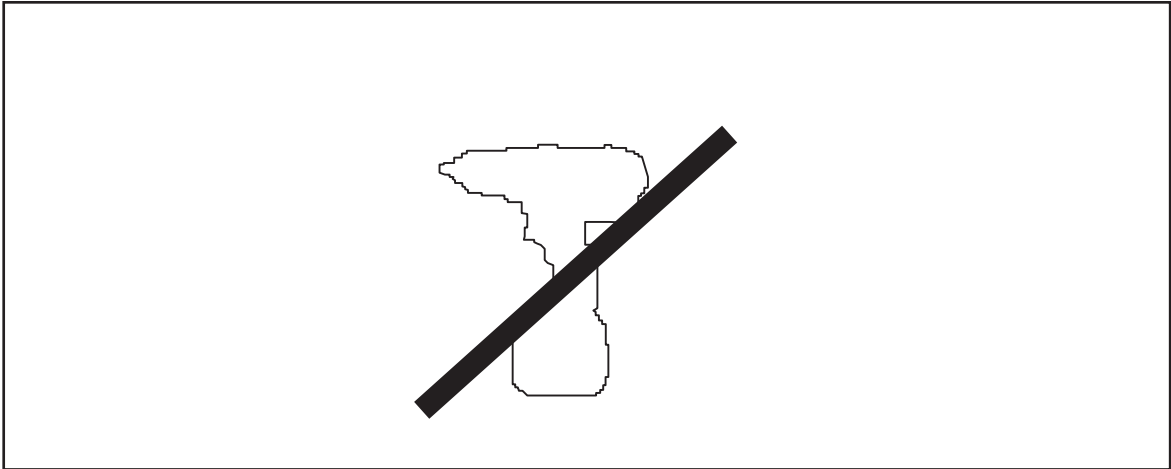
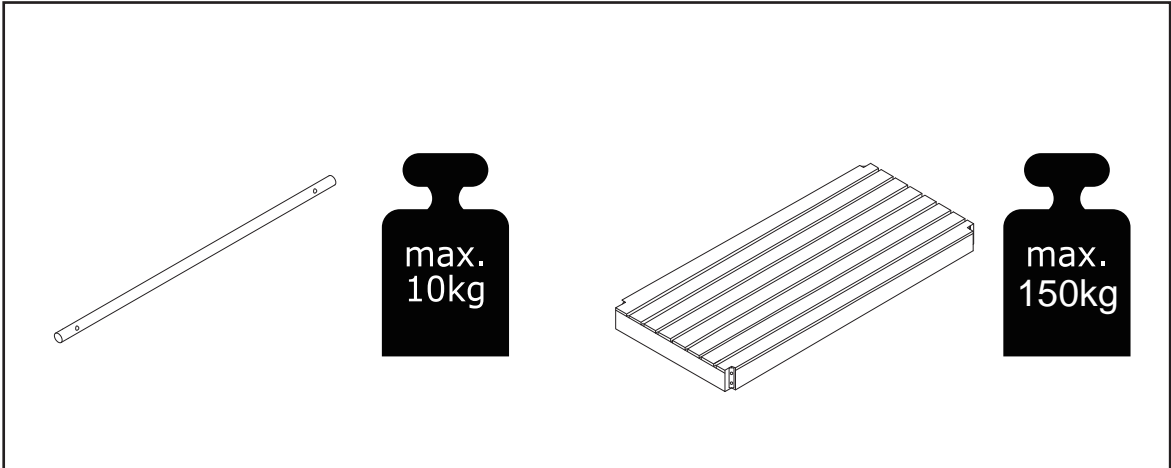
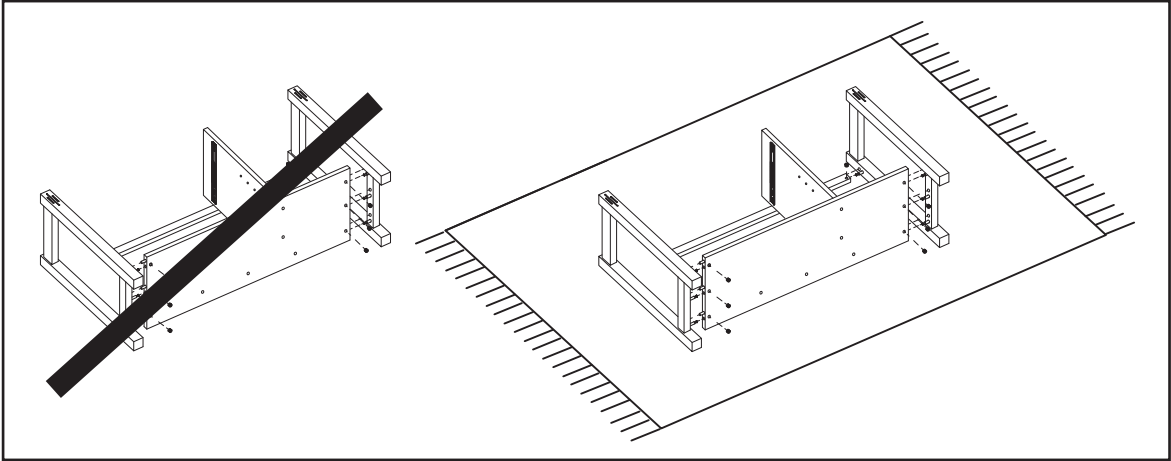
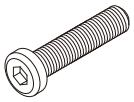


# Loek bankje





Ax8



M6x50mm

Bx2

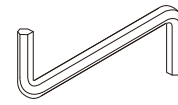


M4x12mm

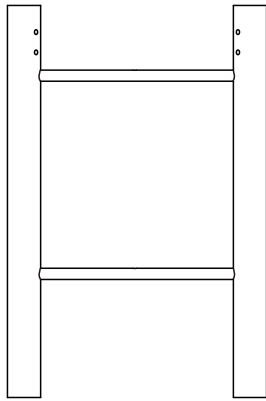
Cx8



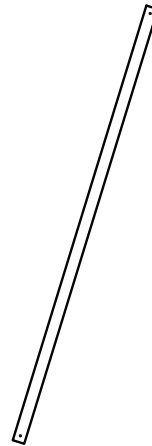
M17x1mm



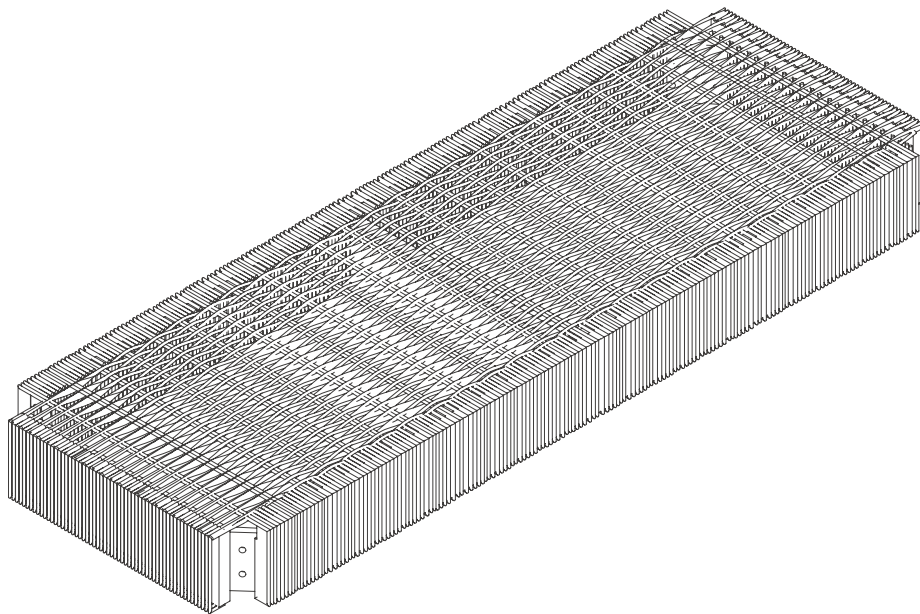
M4



① x2



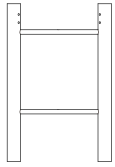
② x1



③ x1

1

① x2



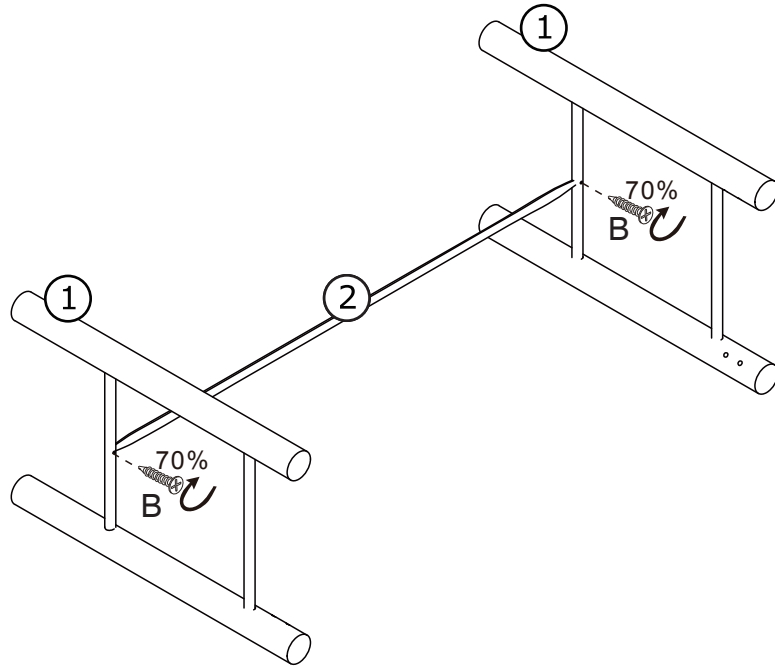
② x1



Bx2



M4x12mm



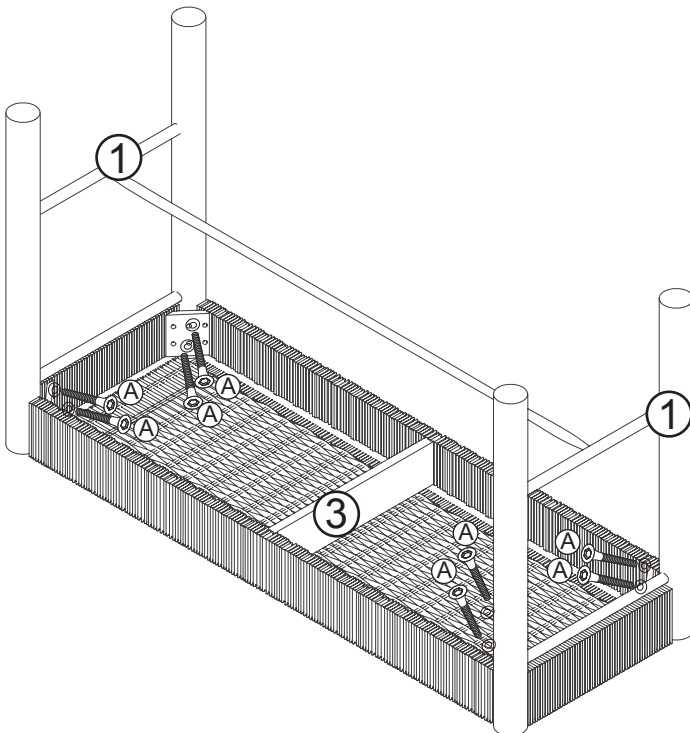
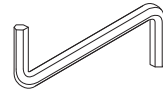
2

Ax8



M6x50mm

Dx1



3

