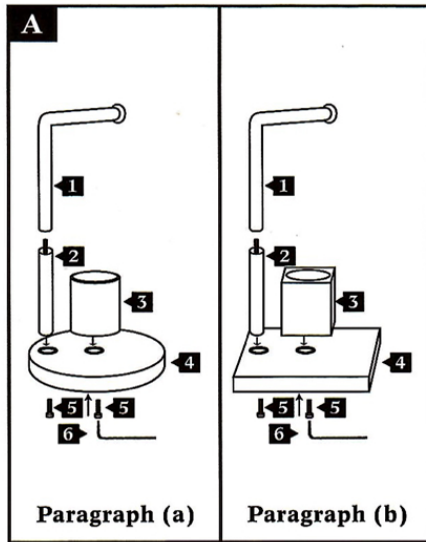


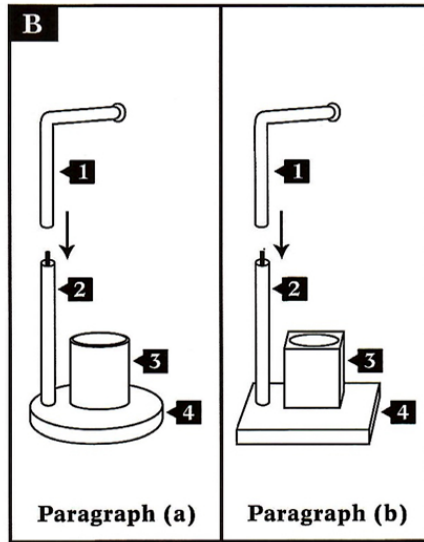
Product Manual



Paragraph (a)

Paragraph (b)

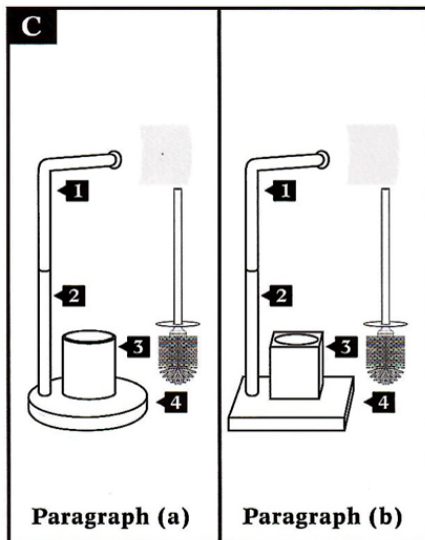
A:
Pass the screw-5 through the base -4 , link with the pipe -2 and Toilet brush cup -3 , and fix the screw with tool-6.



Paragraph (a)

Paragraph (b)

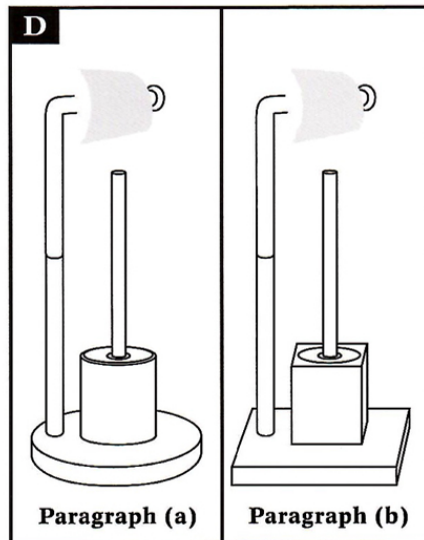
B:
Link pipe 1 with pipe-2 on the base-4.



Paragraph (a)

Paragraph (b)

C:
After installation, put in toilet paper and toilet brush



Paragraph (a)

Paragraph (b)

D:
A roll of toilet paper and a toilet brush can be installed.