

# COMPUTER DESK

## ASSEMBLY INSTRUCTIONS

Thank you for choosing to purchase from Piranha Furniture. We trust everything is as expected, however if there are **ANY** issues at all or you have further questions, please don't hesitate to email us and we will resolve the matter as quickly as possible:

**United Kingdom:** [sales@piranhafurniture.com](mailto:sales@piranhafurniture.com)

**Rest of EU:** [info@piranhaeurope.com](mailto:info@piranhaeurope.com)

You can contact us through our website [www.piranhafurniture.com](http://www.piranhafurniture.com) where you will also find our full range of products.

**Please read the assembly instructions carefully before the installation**

**Retain all packaging as, if required, goods must be returned packed in the original cartons.**



**TWO PEOPLE REQUIRED**

**MODEL PC41**

**General Care:**

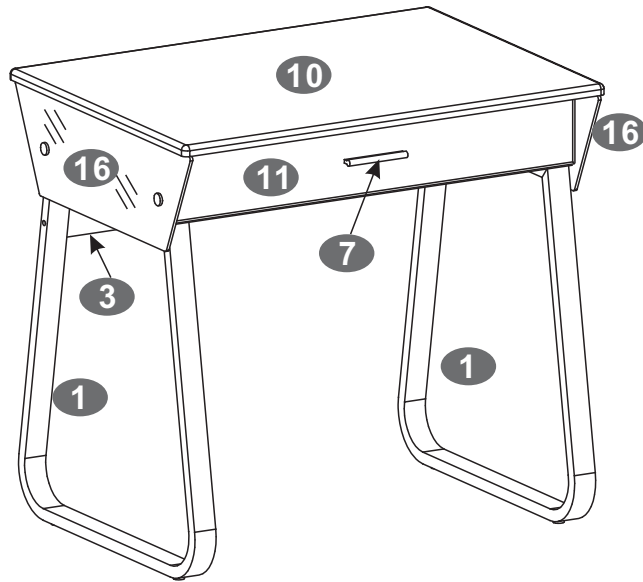
Keep furniture out of direct sunlight. Use mats and coasters to protect surfaces.  
Do not place hot or wet items directly onto unprotected surfaces.

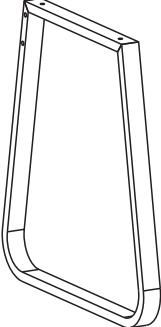

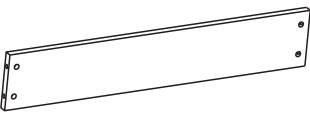
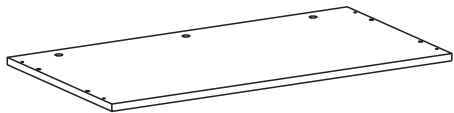
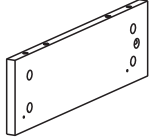
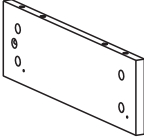

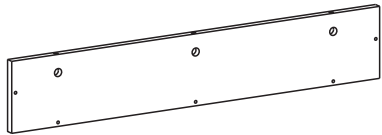
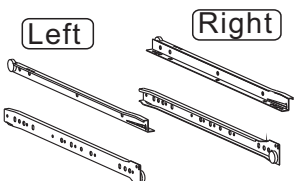
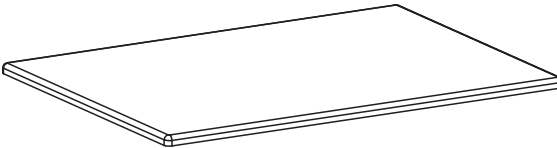
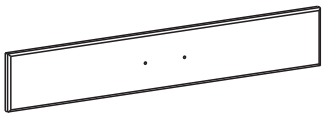
**Cleaning:**

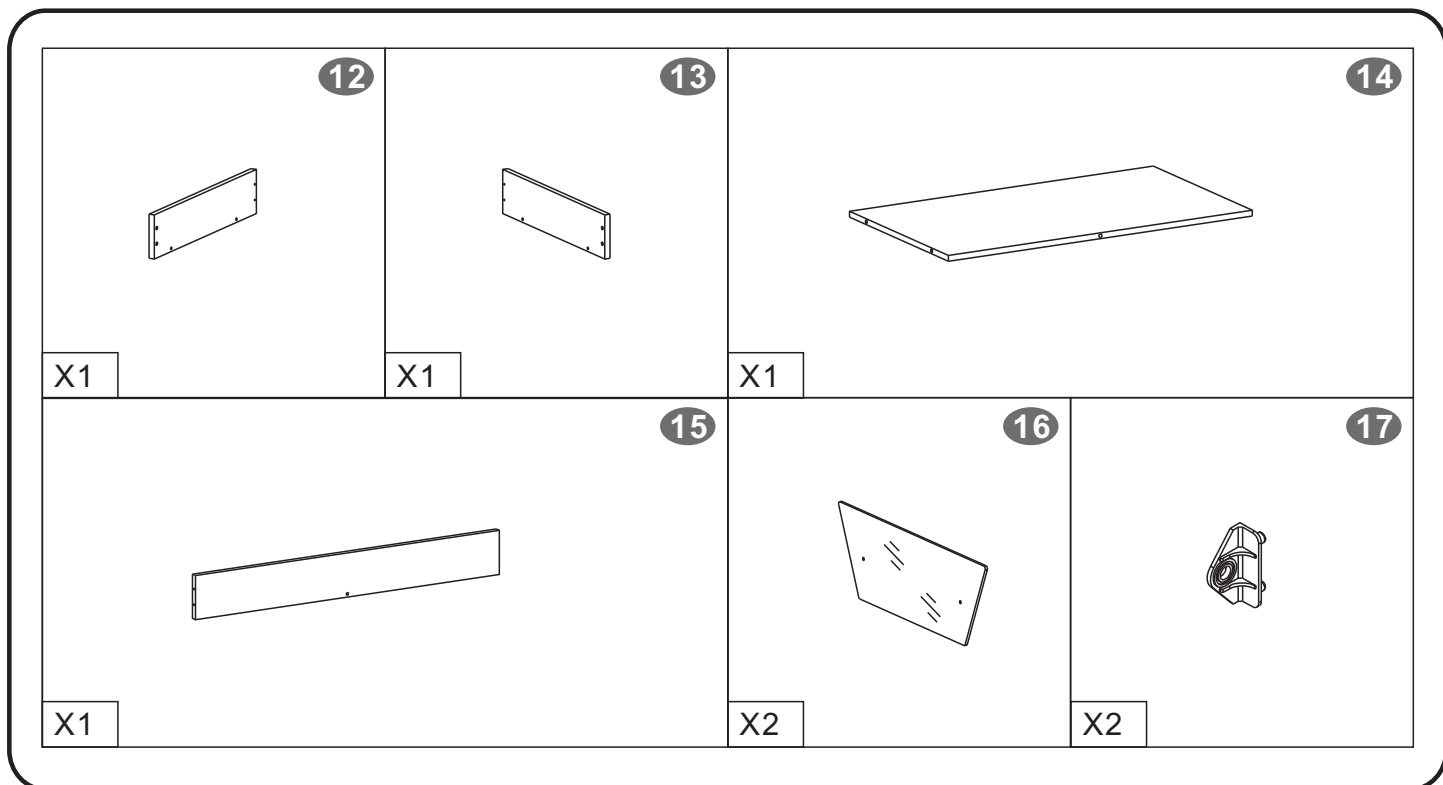
Wipe surfaces with a clean damp (not wet) cloth then dry with a clean lint free cotton cloth.  
Glass surfaces may be polished with window or other glass cleaning liquids.



■ PARTS LIST



 X2	 X4	 X1	 X1
 X1	 X1	 X1	 X1
 X1	 X1	 X1	

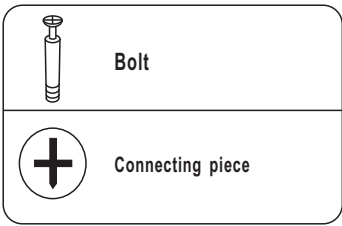


▪SCREWS LIST

PART	QTY.	ITEM	
<b>A</b>	8	3X15 MM	
<b>B</b>	16	6X40 MM	
<b>C</b>	4	6X65 MM	
<b>D</b>	4	6X30 MM	
<b>E</b>	2	4X20 MM	
<b>F</b>	4	4X35 MM	
<b>G</b>	4	4X16 MM	
<b>H</b>	4		

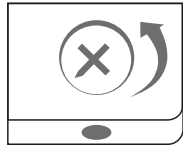
PART	QTY.	ITEM	
<b>I</b>	6	6X25 MM	
<b>J</b>	4	3X12 MM	
<b>K</b>	2	6X15 MM	
<b>L</b>	16	Φ 15 MM	
<b>M</b>	8	8X30 MM	
<b>N</b>	4	Φ 10 MM	
<b>O</b>	6	Φ 12 MM	
	1		

■ 6X40MM & 6x25M BOLT INSTALLATION AS BELOW:

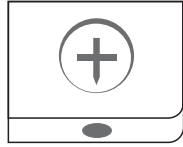


Bolt

Connecting piece



X

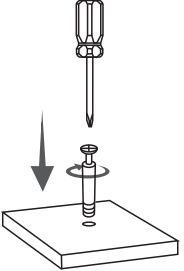


✓

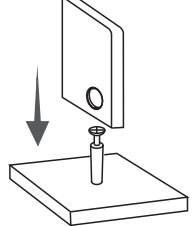
Rotate connecting piece if found in position illustrated above

Correct orientation to receive bolts

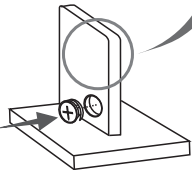
A1.



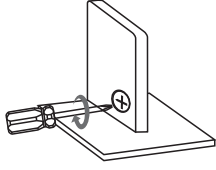
A2.



A3.

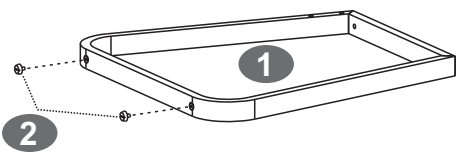


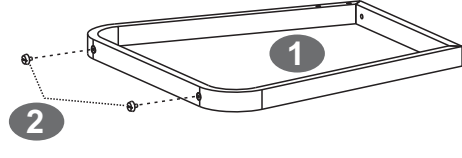
A4.



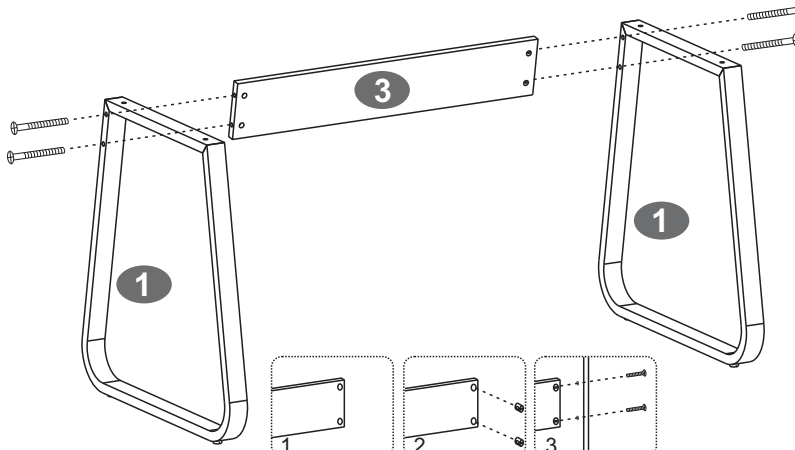
■ ASSEMBLY STEPS:

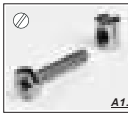


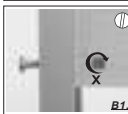


**1**







**2**



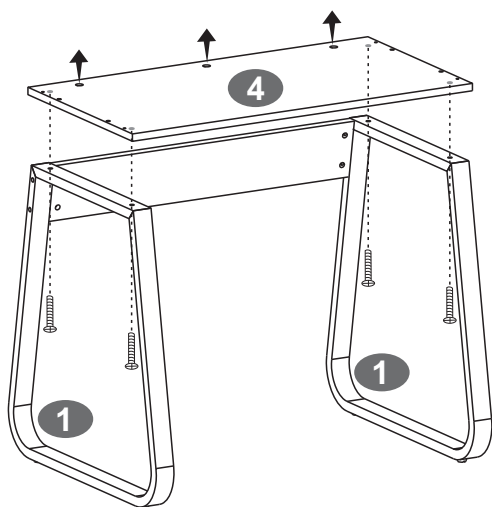







■ SCREWS

**C** 6X65 MM  4PCS

**N** Φ 10 MM  4PCS

3



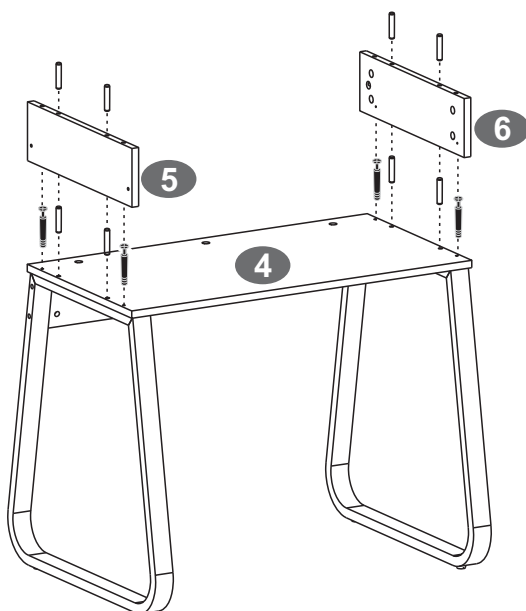
▪ SCREWS

**D** 6X30 MM

4PCS



4



▪ SCREWS

**B** 6X40 MM

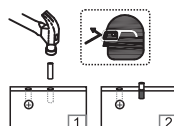
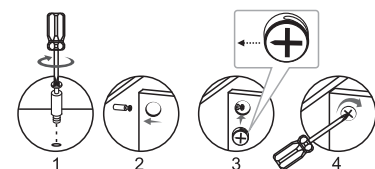
4PCS

**L**  $\Phi$  15 MM

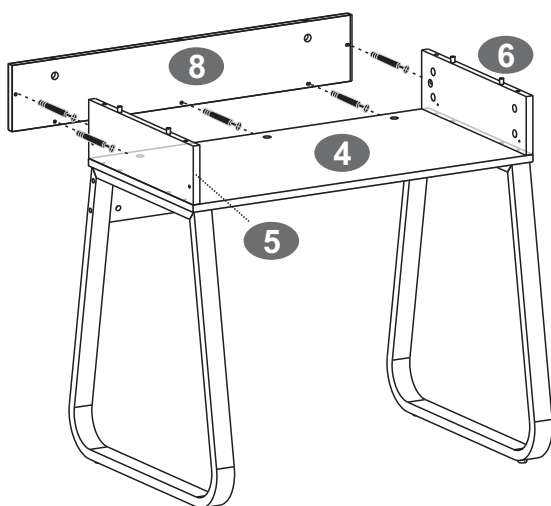
4PCS

**M** 8X30 MM

8PCS



5



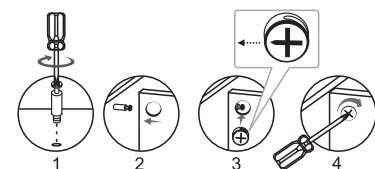
▪ SCREWS

**B** 6X40 MM

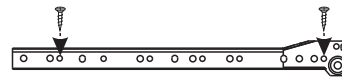
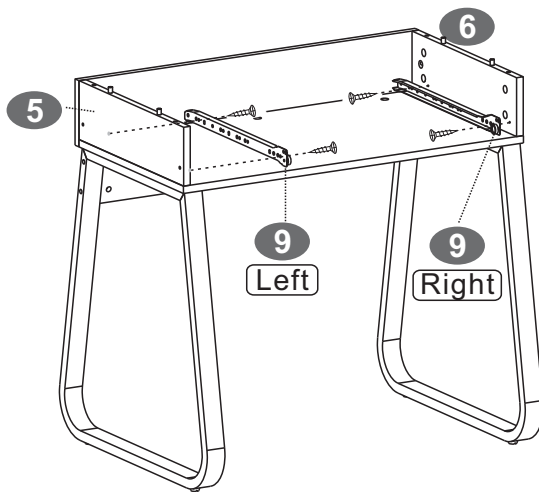
5PCS

**L**  $\Phi$  15 MM

5PCS



6



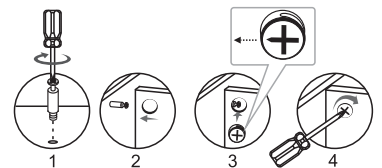
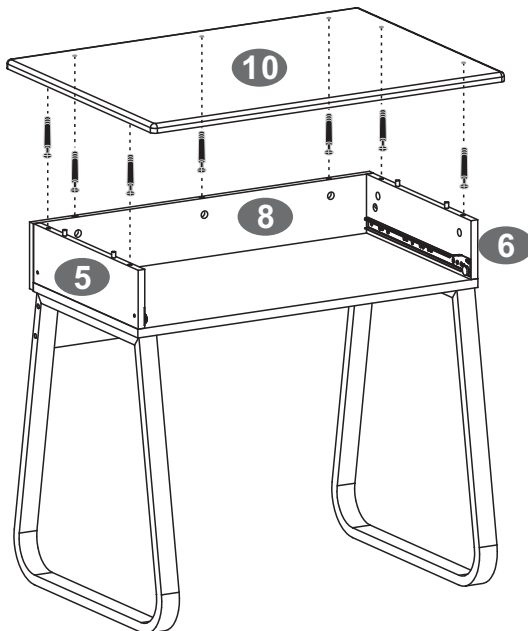
■ SCREWS

**A** 3X15 MM

4PCS



7



■ SCREWS

**B** 6X40 MM

7PCS

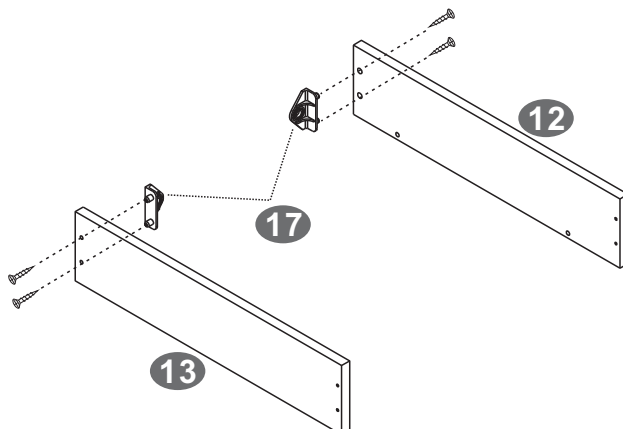


**L**  $\Phi$  15 MM

7PCS



8



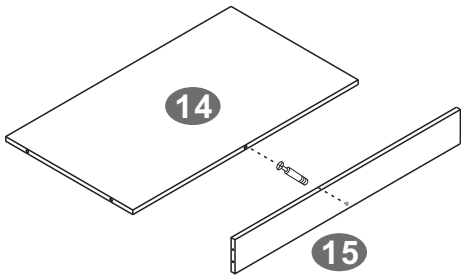
■ SCREWS

**J** 3X12 MM

4PCS



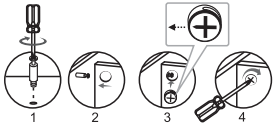
9



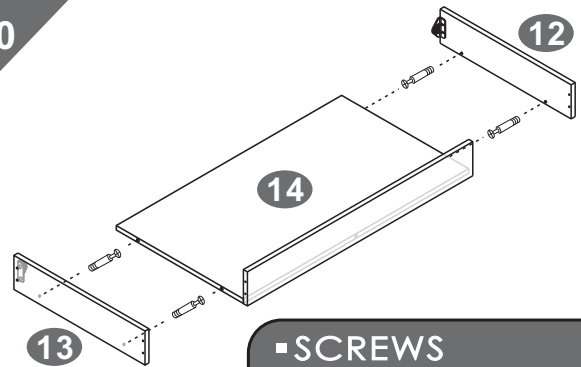
SCREWS

**I** 6X25 MM  
1PC

**O**  $\Phi$  12 MM  
1PC



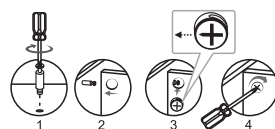
10



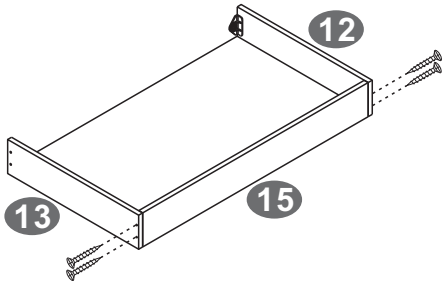
SCREWS

**I** 6X25 MM  
4PCS

**O**  $\Phi$  12 MM  
4PCS



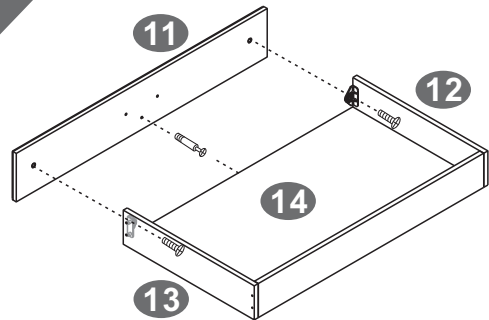
11



SCREWS

**F** 4X35 MM  
4PCS

12



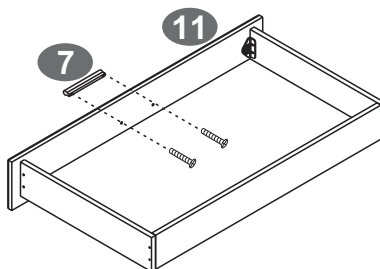
SCREWS

**I** 6X25 MM  
1PC

**O**  $\Phi$  12 MM  
1PC

**K** 6X15 MM  
2PCS

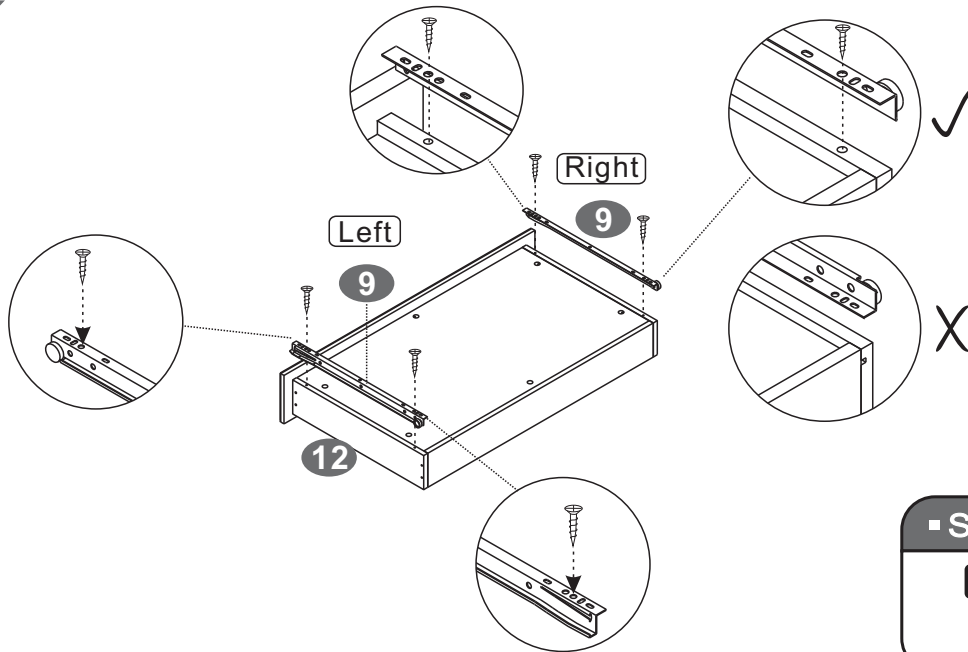
13



SCREWS

**E** 4X20 MM  
2PCS

14



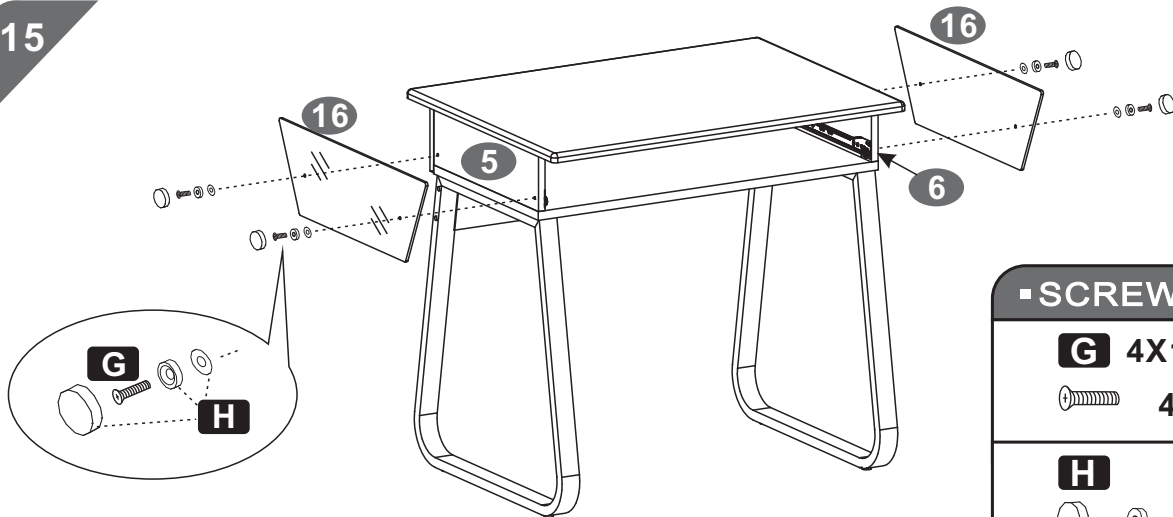
■ SCREWS

**A** 3X15 MM

4PCS



15



■ SCREWS

**G** 4X16 MM

4PCS

**H**

4STES



16

