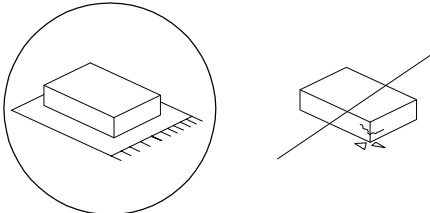
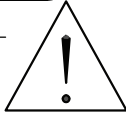

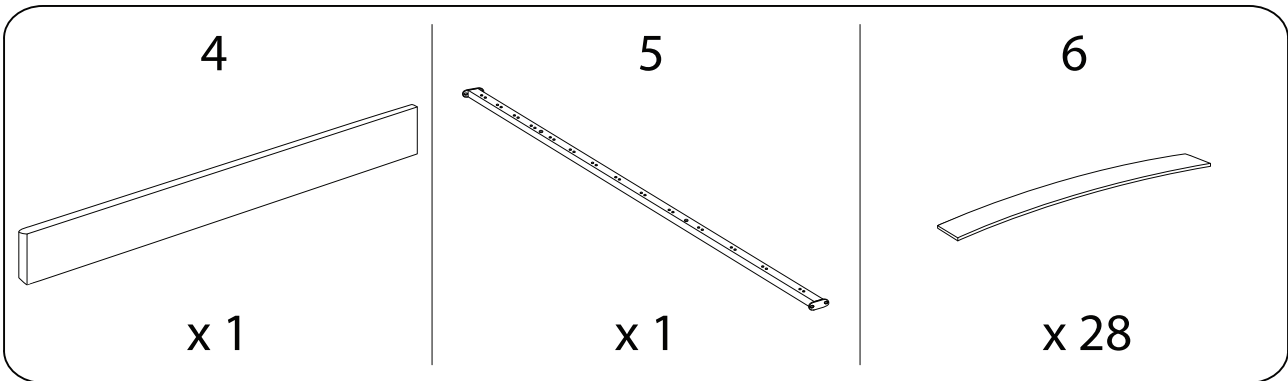
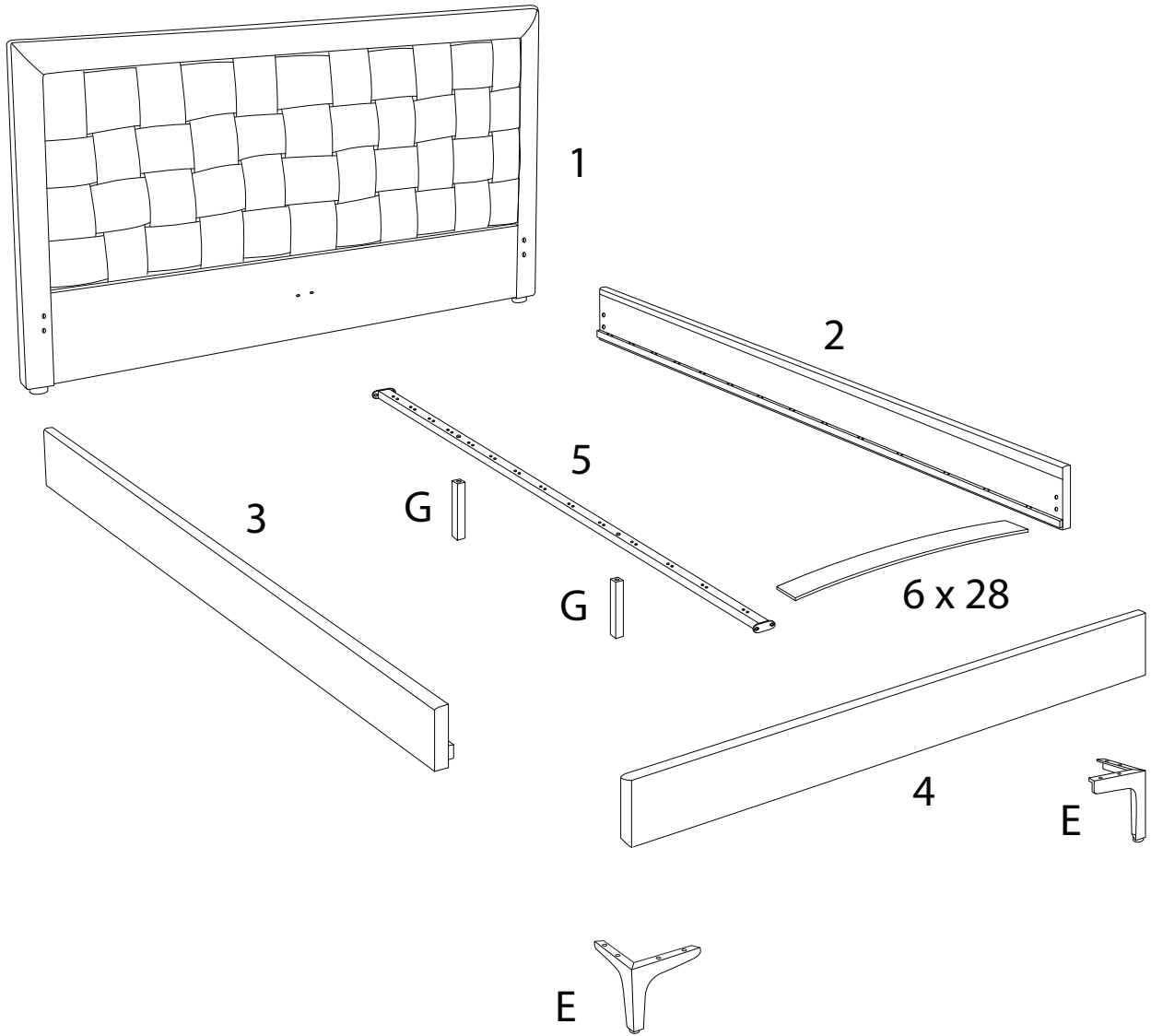
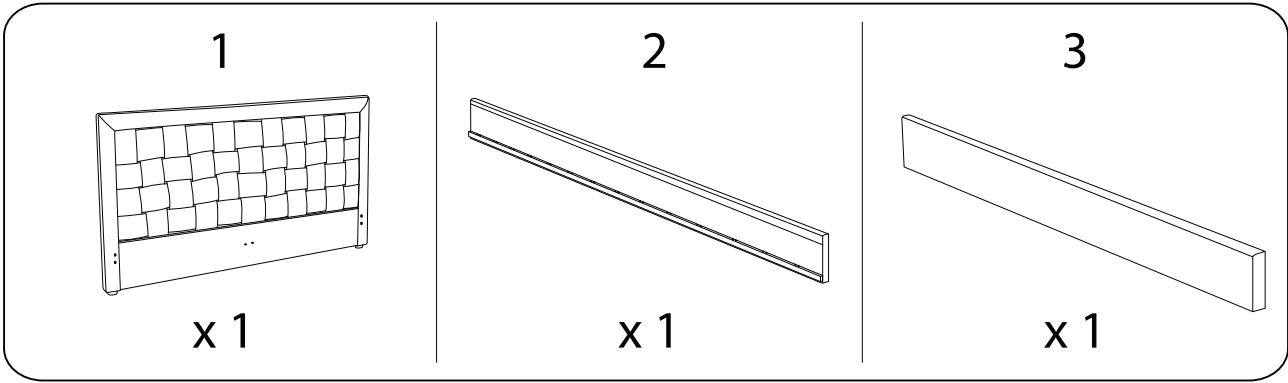

		30'
		
		2

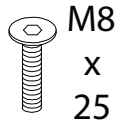


A



x 1

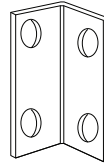
B



M8
x
25

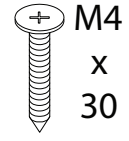
x 20

C



x 4

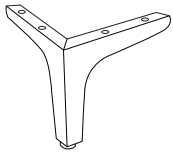
D



M4
x
30

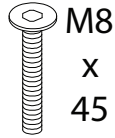
x 8

E



x 2

F



M8
x
45

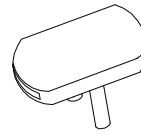
x 2

G



x 2

H



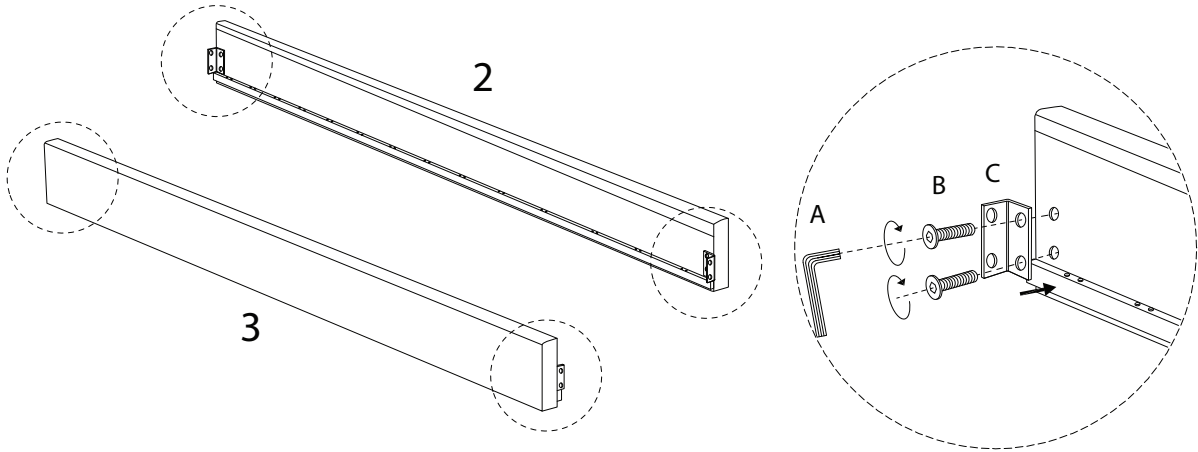
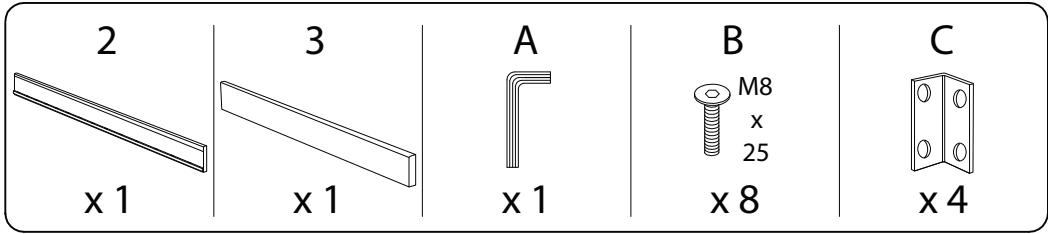
x 14

I

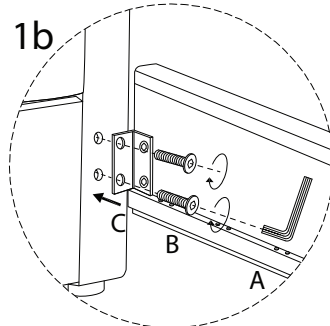
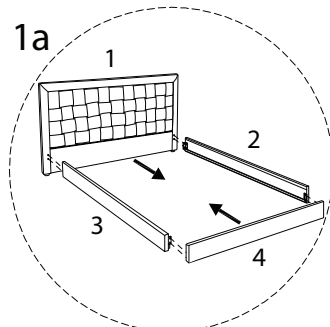
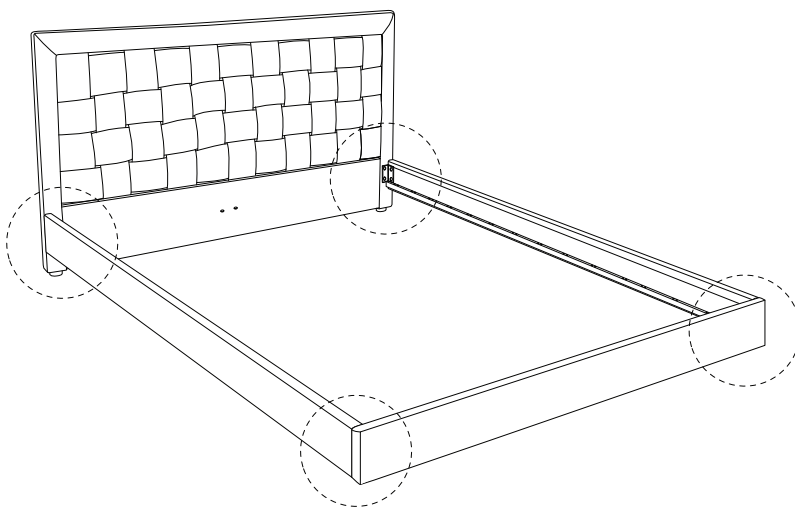
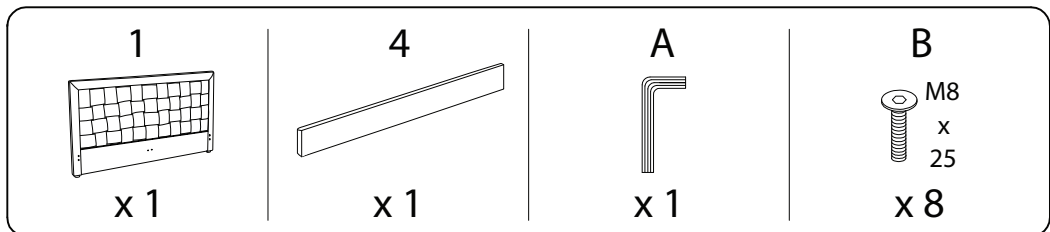


x 28

1



2

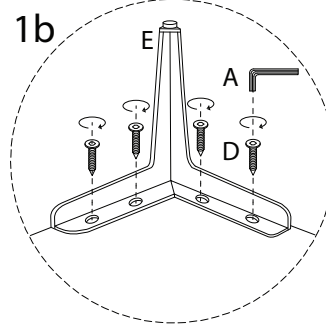
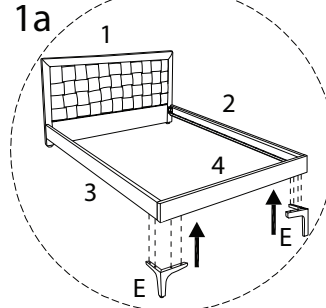
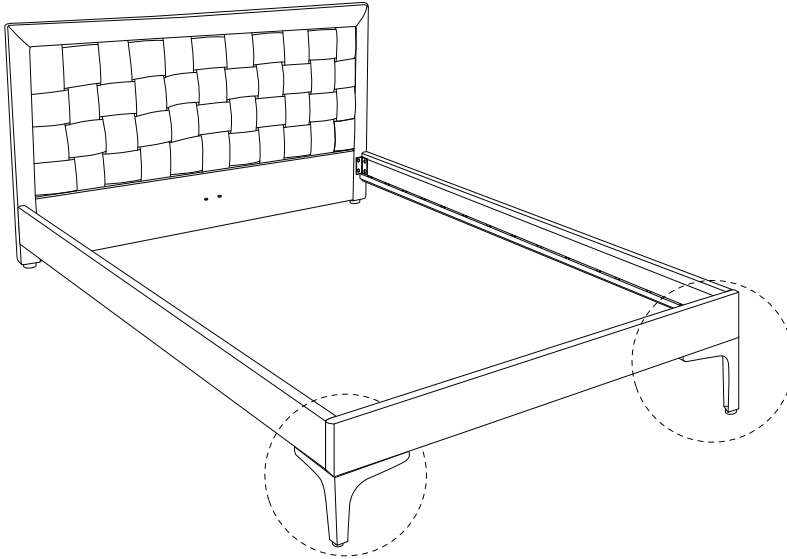


3

A
x1

D
M4
x
30
x8

E
x2



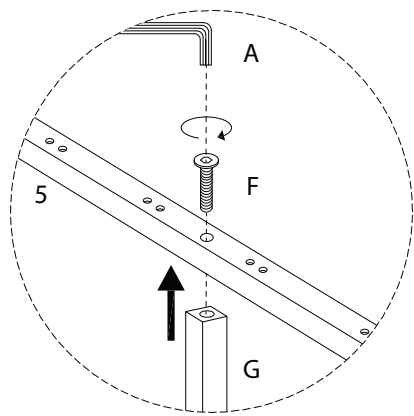
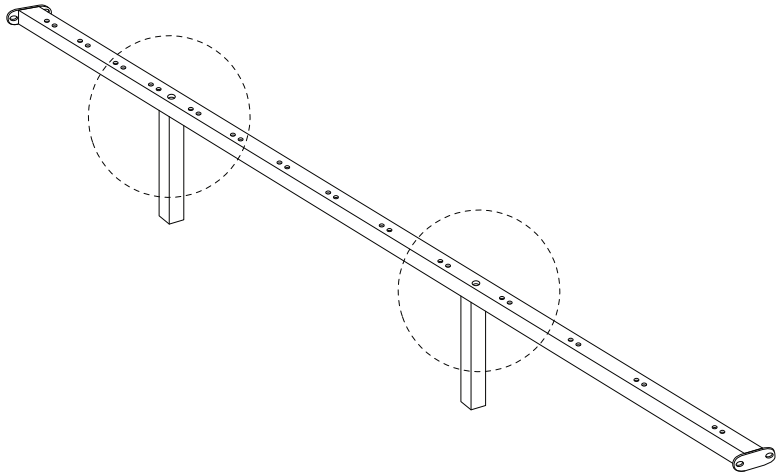
4

5
x1

A
x1

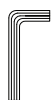
F
M8
x
45
x2

G
x2



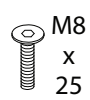
5

A

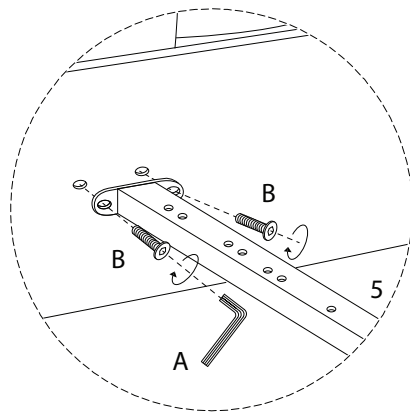
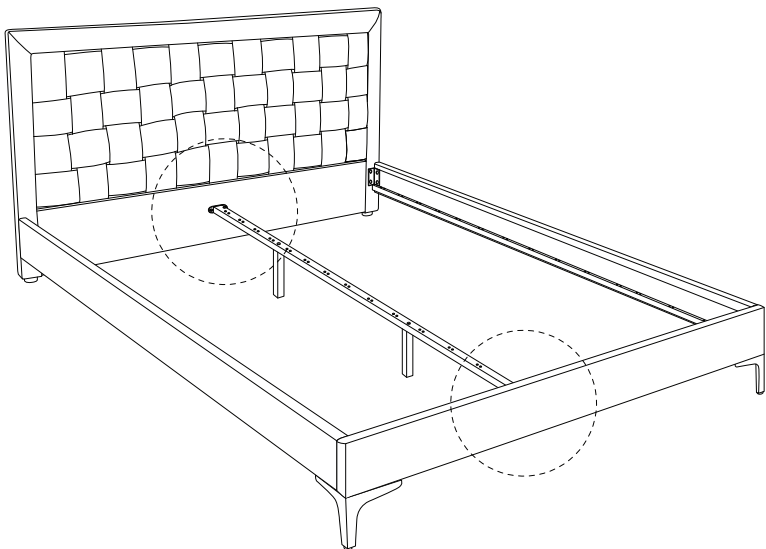


x 1

B

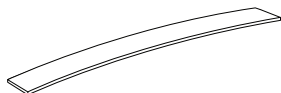


x 4



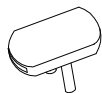
6

6



x 28

H

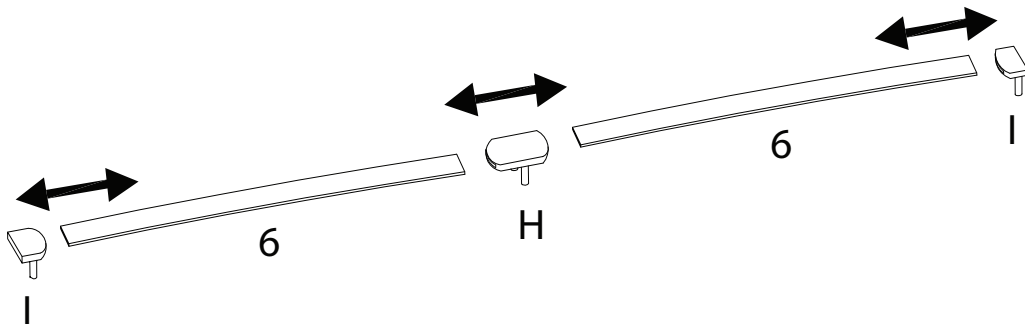


x 14

I



x 28



7

