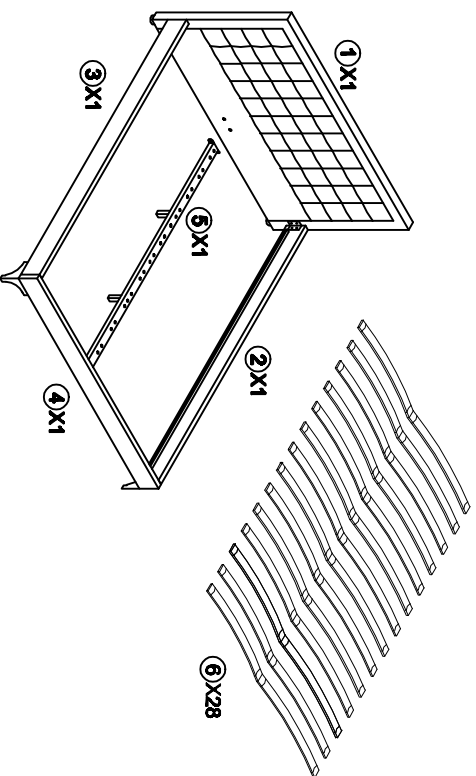
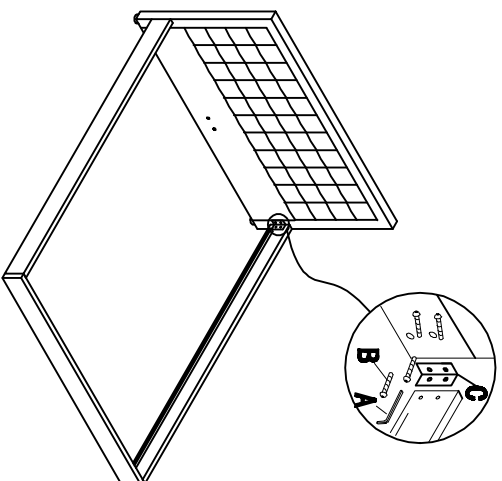


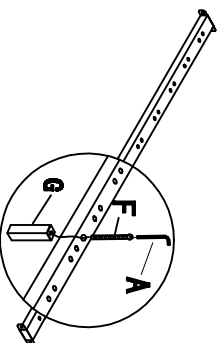
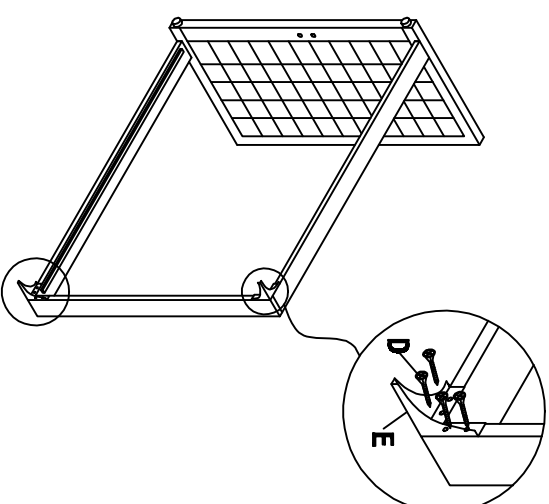
ASSEMBLY INSTRUCTION



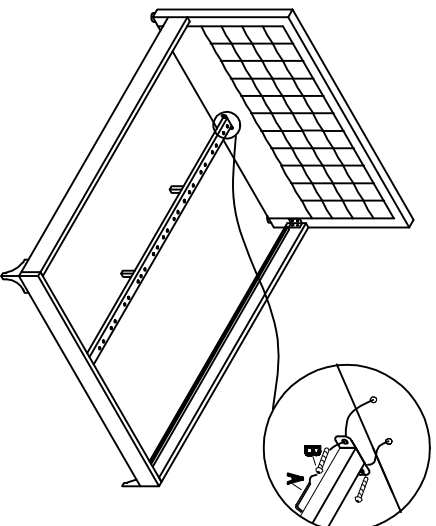
Step 1



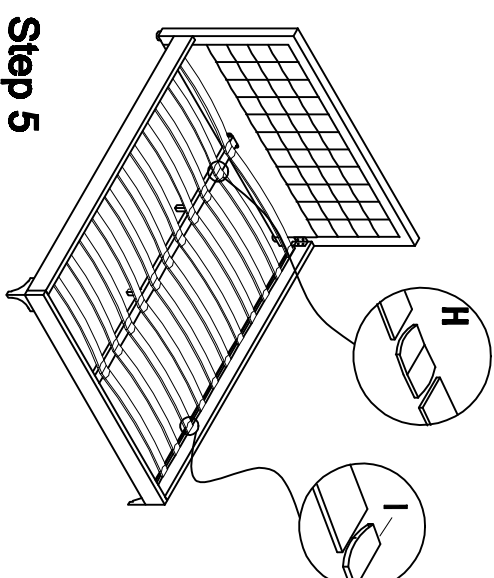
Step 2



Step 3



Step 4



Step 5

- Ax1**
- Bx20**
- Cx4**
- Dx8**
- Ex2**
- Fx2**
- Gx2**
- Hx14**
- Ix28**