

SAMSUNG

USER MANUAL



The Premiere LSP7T / LSP9T **Laser Projector**

Thank you for purchasing this Samsung product.


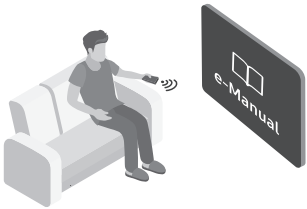


To receive more complete service, please register your product at www.samsung.com

Model _____ Serial No. _____

Before Reading This User Manual

This Projector comes with this user manual and an embedded e-Manual.





Before reading this user manual, review the following:

	<p>User Manual</p>	<p>Read this provided user manual to see information about product safety, installation, accessories, initial configuration, and product specifications.</p>
	<p>e-Manual</p>	<p>For more information about this Projector, read the e-Manual embedded in the product.</p> <ul style="list-style-type: none"> To open the e-Manual, <ul style="list-style-type: none">   Settings > Support > Open e-Manual



On the website (www.samsung.com), you can download the manuals and see its contents on your PC or mobile device.

Learning the e-Manual's assistance functions

- Some menu screens cannot be accessed from the e-Manual.

	<p>Search</p>	<p>Select an item from the search results to load the corresponding page.</p>
	<p>Index</p>	<p>Select a keyword to navigate to the relevant page.</p> <ul style="list-style-type: none"> The menus may not appear depending on the geographical area.
	<p>Site Map</p>	<p>It displays the lists for each item in e-Manual.</p>
	<p>Recently Viewed Topics</p>	<p>Select a topic from the list of recently viewed topics.</p>






Learning the functions of the buttons that appear on e-Manual topic pages

	<p>Try Now</p>	<p>Allows you to access the corresponding menu item and try out the feature right away.</p>
	<p>Link</p>	<p>Access an underlined topic referred to on an e-Manual page immediately.</p>


Warning! Important Safety Instructions

Please read the Safety Instructions before using your Projector.

Refer to the table below for an explanation of symbols which may be on your Samsung product.

CAUTION	
RISK OF ELECTRIC SHOCK. DO NOT OPEN.	
CAUTION: TO REDUCE THE RISK OF ELECTRIC SHOCK, DO NOT REMOVE COVER (OR BACK). THERE ARE NO USER SERVICEABLE PARTS INSIDE. REFER ALL SERVICING TO QUALIFIED PERSONNEL.	
	This symbol indicates that high voltage is present inside. It is dangerous to make any kind of contact with any internal part of this product.
	This symbol indicates that this product has included important literature concerning operation and maintenance.
	AC voltage: Rated voltage marked with this symbol is AC voltage.
	DC voltage: Rated voltage marked with this symbol is DC voltage.
	Caution. Consult instructions for use: This symbol instructs the user to consult the user manual for further safety related information.

Installation

- The slots and openings in the cabinet and in the back or bottom are provided for necessary ventilation. To ensure reliable operation of this apparatus and to protect it from overheating, these slots and openings must never be blocked or covered.
 - Do not place this apparatus in a confined space, such as a bookcase or built-in cabinet, unless proper ventilation is provided.
- Do not place this apparatus near or over a radiator or heat register, or where it is exposed to direct sunlight.
- Do not place vessels (vases etc.) containing water on this apparatus, as this can result in a fire or electric shock.
- Do not expose this apparatus to rain or moisture.
- Be sure to contact an authorised Samsung service centre for information if you intend to install your Projector in a location with heavy dust, high or low temperatures, high humidity, chemical substances, or where it will operate 24 hours a day such as in an airport, a train station, etc. Failure to do so may lead to serious damage to your Projector.
- Do not expose this apparatus to dripping or splashing.
- Do not dispose of batteries in a fire.
- Batteries (battery pack or batteries installed) shall not be exposed to excessive heat such as sunshine, fire or the like.
- **CAUTION:** There is danger of an explosion if you replace the batteries used in the remote with the wrong type of battery. Replace only with the same or equivalent type.
- **WARNING - TO PREVENT THE SPREAD OF FIRE, KEEP CANDLES AND OTHER ITEMS WITH OPEN FLAMES AWAY FROM THIS PRODUCT AT ALL TIMES.** 
- Use care when touching the Projector after it has been on for some time. Some parts can be warm to the touch.

Operation

- This apparatus uses batteries. In your community, there might be environmental regulations that require you to dispose of these batteries properly. Please contact your local authorities for disposal or recycling information.
- Do not drop or strike the product. If the product is damaged, disconnect the power cord and contact a Samsung service centre.
- When you need to turn off the Projector completely, wait until the fan stops completely so that the Projector can cool down completely.

Power

- Do not overload wall outlets, extension cords, or adaptors beyond their capacity, since this can result in fire or electric shock.
- Power-supply cords should be placed so that they are not likely to be walked on or pinched by items placed upon or against them. Pay particular attention to cords at the plug end, at wall outlets, and at the point where they exit from the appliance.
- To protect this apparatus from a lightning storm, or when left unattended and unused for long periods of time, unplug it from the wall outlet and disconnect the antenna or cable system. This will prevent damage to the set due to lightning and power line surges.
- Before plugging in the AC power cord of the Projector, make sure that the operational voltage of the Projector matches the voltage of your local electrical power supply. Refer to the power specifications section of the manual and/or the power supply label on the product for voltage and amperage information.
- Never insert anything metallic into the open parts of this apparatus. This may cause electric shock.
- To avoid electric shock, never touch the inside of this apparatus. Only a qualified technician should open this apparatus.

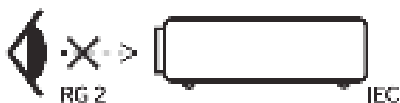
- Be sure to plug in the power cord until it is firmly seated. When unplugging the power cord from a wall outlet, always pull on the power cord's plug. Never unplug it by pulling on the power cord. Do not touch the power cord with wet hands.
- If this apparatus does not operate normally - in particular, if there are any unusual sounds or smells coming from it - unplug it immediately and contact an authorised dealer or Samsung service centre.
- Be sure to pull the power plug out of the outlet if the Projector is to remain unused or if you are going to leave the house for an extended period of time (especially when children, elderly, or disabled people will be left alone in the house).
 - Accumulated dust can cause an electric shock, an electric leakage, or a fire by causing the power cord to generate sparks and heat or by causing the insulation to deteriorate.
- Use only a properly grounded plug and wall outlet.
 - An improper ground may cause electric shock or equipment damage. (Class I Equipment only.)
- To turn off this apparatus completely, disconnect it from the wall outlet. To ensure you can unplug this apparatus quickly if necessary, make sure that the wall outlet and power plug are readily accessible.

Cleaning

- To clean this apparatus, unplug the power cord from the wall outlet and wipe the product with a soft, dry cloth. Do not use any chemicals such as wax, benzene, alcohol, thinners, insecticide, aerial fresheners, lubricants, or detergents. These chemicals can damage the appearance of the Projector or erase the printing on the product.
- Do not spray water or any liquid directly onto the Projector. Any liquid that goes into the product may cause a failure, fire, or electric shock.

Laser

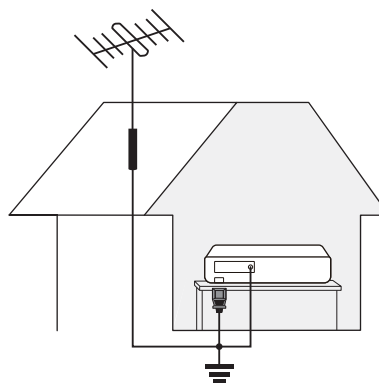
- Do not block the light coming out of the projector lens when in operation. The light will heat the object and may melt, cause burns or start a fire.
- Do not look directly at the light from the Projector lens or project the light into any person's eyes.



- **WARNING: MOUNT ABOVE THE HEADS OF CHILDREN.** Additional warning against eye exposure for close exposures less than 1 m.
- As with any bright source, do not stare into the direct beam, RG2 IEC 62471-5:2015.
- This projector is class 1 laser product of IEC 60825-1:2014 and risk group 2 with the requirements of IEC 62471-5:2015
- Additional instructions to supervise children, no staring, and not use optical aids
 - Notice is given to supervise children and to never allow them to stare into the projector beam at any distance from the projector.
 - Notice is given to use caution when using the remote control for starting the projector while in front of the projection lens.
 - Notice is given to the user to avoid the use of optical aids such as binoculars or telescopes inside the beam.
- Do not open or disassemble the projector as this may cause damage by the exposure of laser Radiation.

Antenna

- Bend down the part where the outdoor antenna line goes into the inside so that rainwater cannot flow into it.
- If you are using an outdoor antenna, please install it away from electrical wires to make sure it does not touch any nearby wires even when it falls down due to heavy wind.



Contents

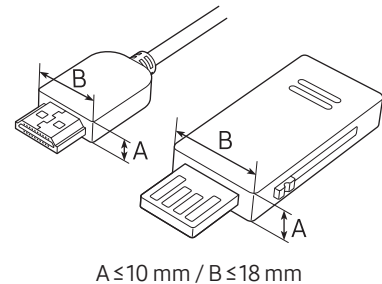
	Before Reading This User Manual	2
	Warning! Important Safety Instructions	3
01	What's in the Box?	
02	Product Overview	
	About the Projector	8
03	The Samsung Smart Remote	
	About the Buttons on the Samsung Smart Remote	9
	Pairing the Projector to the Samsung Smart Remote	10
	Installing batteries into the Samsung Smart Remote	10
04	Installing the Projector	
	Image size and projection distance	12
	Using the Power button	13
	Mounting the Projector on a wall	14
05	Troubleshooting and Maintenance	
	Troubleshooting	15
	Changing the Projector's password	16
06	Specifications and Other Information	
	Specifications	17
	Environmental Considerations	17
	Decreasing power consumption	18
	Licences	18

01 What's in the Box?

Make sure the following items are included with your Projector. If any items are missing, contact your dealer.

- Samsung Smart Remote & Batteries (AA x 2)
- User Manual
- Warranty Card / Regulatory Guide (Not available in some locations)
- Power Cable

- The items' colours and shapes may vary depending on the models.
- Cables not included can be purchased separately.
- When connecting an HDMI or USB cable, or connecting a USB flash drive to the HDMI or USB port, use a product that has a width of 18 mm or less and a height of 10 mm or less. If the USB cable or USB flash drive does not fit the USB ports of the projector, use an extension cable that supports USB 2.0.
- Use a certified cable with the HDMI logo attached.
- If you do not use a certified HDMI cable, the screen may not display or a connection error may occur. (Recommended HDMI cable types)
 - Ultra High-Speed HDMI Cable (3 m or less)



An administration fee may be charged in the following situations:

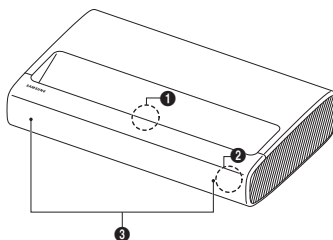
- An engineer is called out at your request, but it is found that the product has no defect (i.e., where the user manual has not been read).
- You bring the unit to the Samsung service centre, but it is found that the product has no defect (i.e., where the user manual has not been read).

You will be informed of the administration fee amount before a technician visits.

02 Product Overview

About the Projector

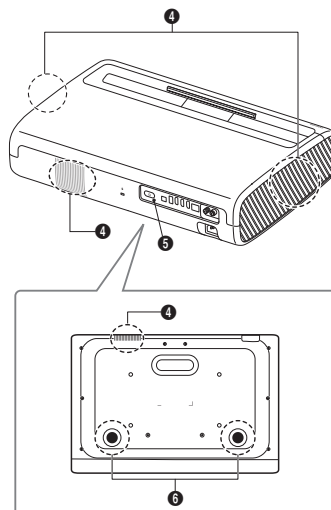
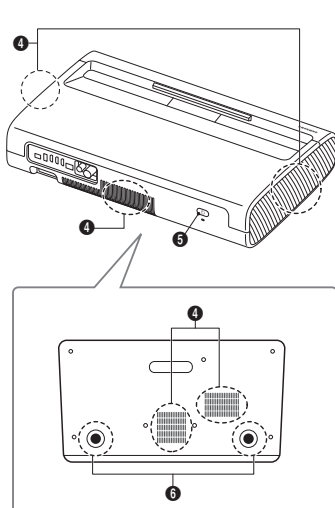
<Front>



SP-LSP7TFA

SP-LSP9TFA

<Rear>



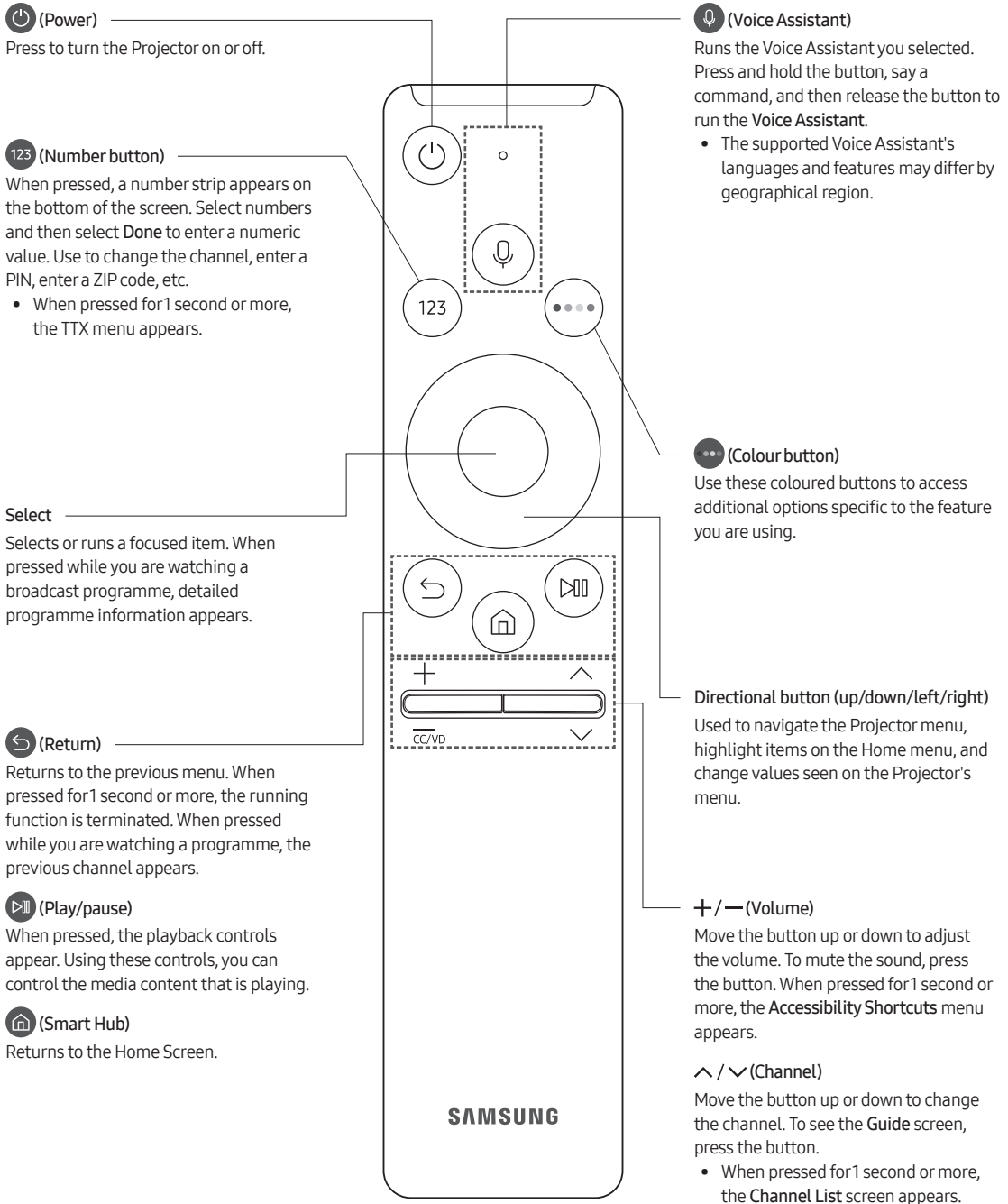
- | | |
|--|------------------------|
| ❶ Lens | ❷ Ventilation |
| ❸ Remote control sensor / LED Indicators | ❸ Power button |
| ❹ Speaker | ❹ Tilt-Adjustment Foot |

- The product colour and shape may vary depending on the model.
- Do not block projector intake and exhaust vents.
- When operating the projector in an enclosed space, allow at least 50 cm clearance around the intake and exhaust vents.

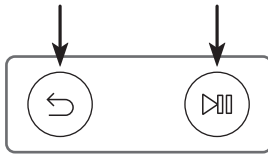
03 The Samsung Smart Remote



About the Buttons on the Samsung Smart Remote

- The images, buttons, and functions of the Samsung Smart Remote may differ depending on the model.
- The Universal Remote function operates normally only when you use the Samsung Smart Remote that comes with the Projector.

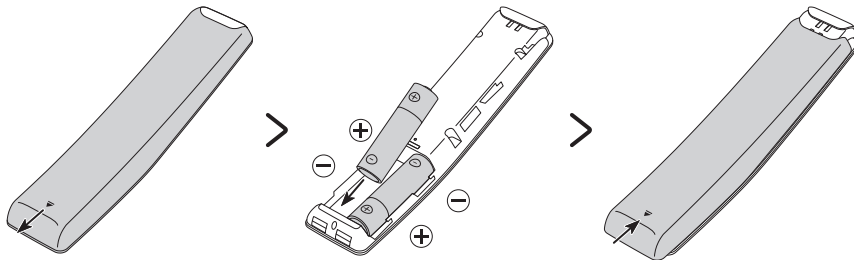


Pairing the Projector to the Samsung Smart Remote



When you turn on the Projector for the first time, the Samsung Smart Remote pairs to the Projector automatically. If the Samsung Smart Remote does not pair to the Projector automatically, point it at the remote control sensor of the Projector, and then press and hold the buttons labelled  and  as shown in the figure on the left simultaneously for 3 seconds or more.

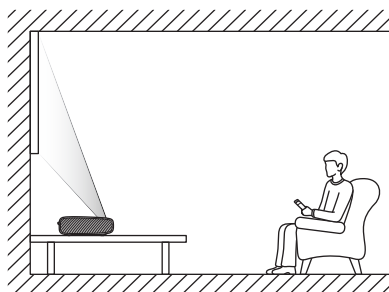
Installing batteries into the Samsung Smart Remote



To install the batteries, push the rear cover open in the direction of the arrow at the bottom of the illustration, and then insert the batteries as shown in the figure. Make sure that the positive and negative ends are facing in the correct direction. Close the rear cover as shown.

- Alkaline batteries are recommended for longer battery life.

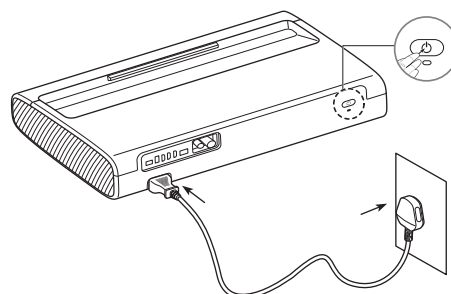
04 Installing the Projector



Install the projector horizontally on a flat surface to prevent it from being tilted.

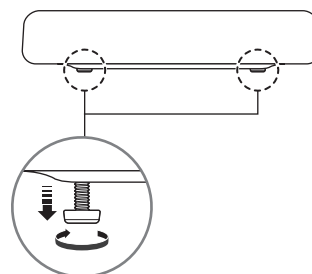
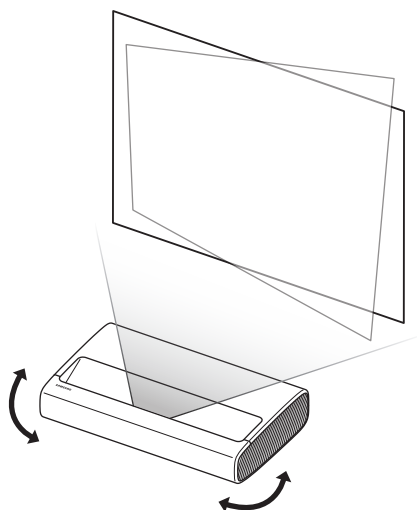
When the screen and the projector are not aligned horizontally and vertically, or the screen is curved, the display may get distorted.

- Place the projector at an appropriate distance from the screen to be projected, connect with the power cable, and then turn it on.
 - When you turn on your Projector for the first time, it immediately starts the Initial Setup. Follow the instructions displayed on the screen and configure the Projector's basic settings to suit your viewing environment.
 - You can turn on the Projector with the power button at the rear of the Projector, and then use the **Control menu**. The **Control menu** appears when the power button is pressed while the Projector is On.
 - When the screen looks skewed or blurred, adjust the display settings by following the next instruction.



- The product colour and shape may vary depending on the model.

- Adjust the angle by moving the projector left or right or adjust the angle adjusting tilt-adjustment foot at the bottom to make the screen to be rectangular.



3. Move the projector forward or backward to adjust the projection distance for a desired screen size.
 - When the projected screen is unclear, adjust in **Settings > General > Projector Settings > Focus**.
 - When the projected screen is not a right angle, adjust in **Projector Settings > Screen Adjustment**.
In this case, the screen resolution may decrease.
 - For information about the screen sizes for each projection distance, refer to the following table.

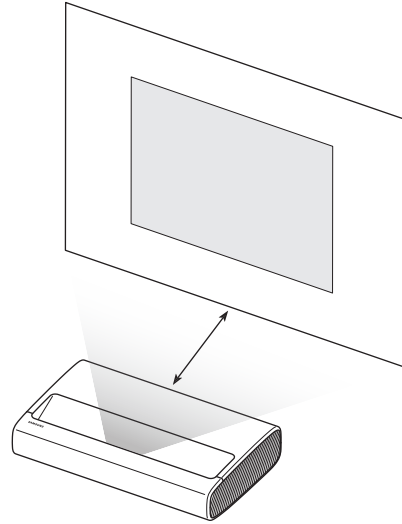
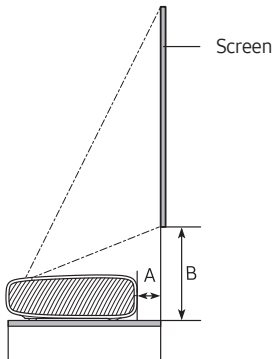


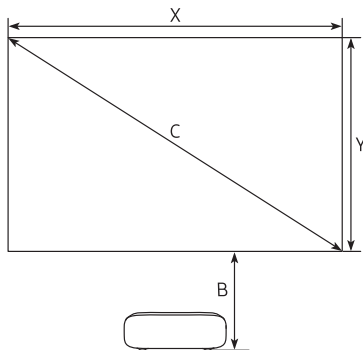
Image size and projection distance

- The screen sizes for each projection distance may differ depending on the installation environment.



SP-LSP7TFA

C (inches)	X (mm)	Y (mm)	A (mm)	B (mm)
90	1992	1121	247	349
95	2103	1183	275	364
100	2214	1245	303	379
105	2324	1308	331	394
110	2435	1370	359	409
115	2546	1432	387	424
120	2657	1494	415	439



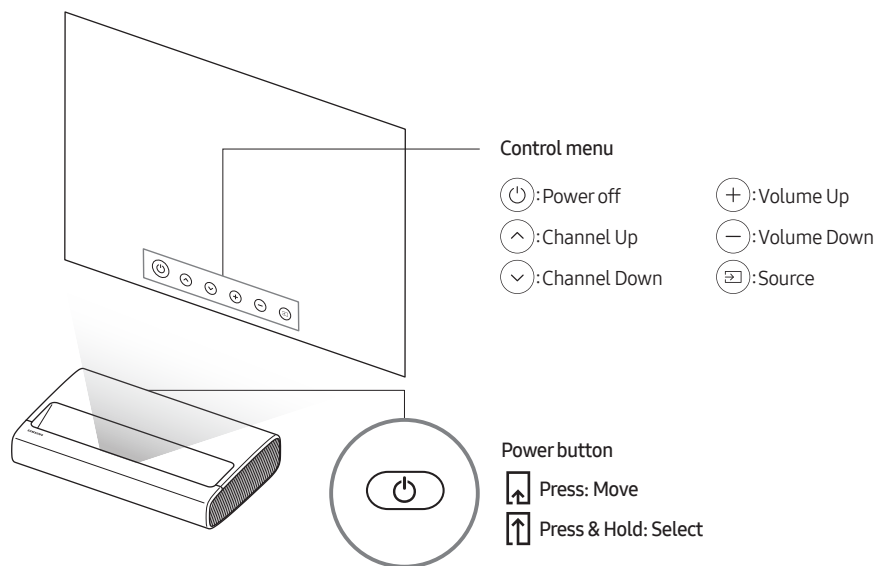
SP-LSP9TFA

C (inches)	X (mm)	Y (mm)	A (mm)	B (mm)
100	2214	1245	113	351
105	2324	1308	134	363
110	2435	1370	154	376
115	2546	1432	175	388
120	2657	1494	196	401
125	2767	1557	217	413
130	2878	1619	238	426

Using the Power button

You can turn on the Projector with the power button at the rear of the Projector, and then use the **Control menu**. The **Control menu** appears when the power button is pressed while the Projector is On. For more information about its usage, refer to the figure below.

- Manipulate buttons on the side of the product so that the projected screen is not covered.
- Be careful not to directly get the light emitted from the projector lens.

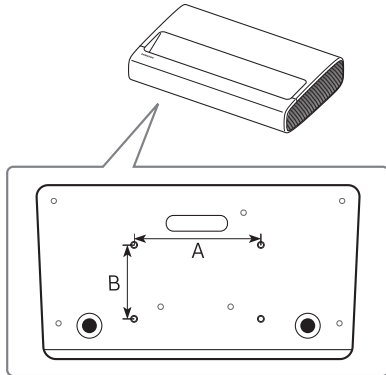


- The product colour and shape may vary depending on the model.

Mounting the Projector on a wall



In order to install the projector on a wall, be sure to consult with a professional service agency. Otherwise, the projector may slip or fall off, resulting in personal injury or damage to the product.



When installing a wall mount kit, we recommend you fasten all four screws.

Screw hole specs (A * B) in millimetres	Screw Depth (mm)	Standard Screw	Quantity
235 x135	7-9	M6	4

- The product colour and shape may vary depending on the model.



Do not install your wall mount kit while your Projector is turned on. This may result in personal injury from electric shock.

- Do not use screws that are longer than the standard dimension or do not comply with the standard screw specifications. Screws that are too long may cause damage to the inside of the Projector set.
- For wall mounts that do not comply with the standard screw specifications, the length of the screws may differ depending on the wall mount specifications.
- Do not fasten the screws too firmly. This may damage the product or cause the product to fall, leading to personal injury. Samsung is not liable for these kinds of accidents.
- Samsung is not liable for product damage or personal injury when a non-specified wall mount is used or when the consumer fails to follow the product installation instructions.
- Always have two people mount the Projector onto a wall.

05 Troubleshooting and Maintenance

Troubleshooting

If the Projector seems to have a problem, first review this list of possible problems and solutions. Alternatively, review the Troubleshooting Section in the e-Manual. If none of the troubleshooting tips apply, please visit "www.samsung.com" and click Support or contact the Samsung service centre listed on the back cover of this manual.

- To keep your Projector in optimum condition, upgrade to the latest software. Use the **Update Now** or **Auto update** functions on the Projector's menu (🏠 > ⚙️ **Settings** > **Support** > **Software Update** > **Update Now** or **Auto update**).

The Projector won't turn on.

- Make sure that the AC power cable is securely plugged in to the Projector and the wall outlet.
- Make sure that the wall outlet is working and the Remote control sensor at the front right of the Projector is lit and glowing a solid red.
- Try pressing the **Power** button at the rear of the Projector to make sure that the problem is not with the remote control. If the Projector turns on, refer to "The remote control does not work".



There is no picture/video/sound, or a distorted picture/video/sound from an external device, or "Weak or No Signal" is displayed on the Projector, or you cannot find a channel.




- Make sure the connection to the device is correct and that all cables are fully inserted.
- Remove and reconnect all cables connected to the Projector and the external devices. Try new cables if possible.
- Confirm that the correct input source has been selected (🏠 > 📺 **Source**).
- Perform a Projector self diagnosis to determine if the problem is caused by the Projector or the device (🏠 > ⚙️ **Settings** > **Support** > **Device Care** > **Self Diagnosis** > **Picture Test** or **Sound Test**).
- If the test results are normal, reboot the connected devices by unplugging each device's power cable and then plugging it in again. If the issue persists, refer to the connection guide in the user manual of the connected device.
- If you are not using a cable box or satellite box, and your Projector is receiving TV signals from an antenna or a cable wall connector, run **Auto Tuning** to search for channels (🏠 > ⚙️ **Settings** > **Broadcasting** > **(Auto Tuning Settings)** > **Auto Tuning**).
 - The **Auto Tuning Settings** may not appear depending on the model or geographical area.
 - If you are using a cable box or satellite box, please refer to the cable box or satellite box manual.

The remote control does not work.

- Check if the Remote control sensor at the front right of the Projector blinks when you press the remote's Power button. If it does not, replace the remote control's batteries.
- Make sure that the batteries are installed with their poles (+/-) in the correct direction.
- Try pointing the remote directly at the Projector from 1.5-1.8 m away.
- If your Projector came with a Samsung Smart Remote (Bluetooth Remote), make sure to pair the remote to the Projector.

Changing the Projector's password

 >  Settings > General > System Manager > Change PIN

1. Run **Change PIN** and then enter the current password in the password field. The default password is "0000" (France: "1111").
 2. Enter a new password and then enter it again to confirm it. The password change is complete.
- If you forgot your PIN code, press the buttons in the following sequence to reset the PIN to "0000" (France: "1111"):
On the Samsung Smart Remote: Select **+/-** (Volume) button. > **Volume Up** >  > **Volume Down** >  > **Volume Up** > .

06 Specifications and Other Information

Specifications

Model Name	SP-LSP7TFA	SP-LSP9TFA
Display Resolution	3840 x 2160	
Lens	Fixed Lens	
Image Size (Diagonal)	90" ~ 120"	100" ~ 130"
Sound (Output)	30 W	40 W
Dimensions (W x H x D)		
Body	532.0 x 119.1 x 342.0 mm	550.0 x 128.0 x 367.0 mm
With Feet	532.0 x 132.7 x 342.0 mm	550.0 x 141.0 x 367.0 mm
Weight (With Feet)	9.1 kg	11.5 kg

Environmental Considerations

Operating Temperature	10°C to 40°C (50°F to 104°F)
Operating Humidity	10% to 80%, non-condensing
Storage Temperature	-20°C to 45°C (-4°F to 113°F)
Storage Humidity	5% to 95%, non-condensing

Notes

- The design and specifications are subject to change without prior notice.
- This device is a Class B digital apparatus.
- For information about the power supply, and more information about power consumption, refer to the information on the label attached to the product.
 - For the label-rating and laser-related cautions, see the surface of the bottom of the projector.
- Typical power consumption is measured according to IEC 62087.
- All drawings are not necessarily to scale. Some dimensions are subject to change without prior notice. Refer to the dimensions before installing your Projector. Not responsible for typographical or printed errors.
- To connect a LAN cable, use a CAT 7 (*STP type) cable for the connection. (100/10 Mbps)
 - * Shielded Twisted Pair
- Figures and illustrations in this User Manual are provided for reference only and may differ from the actual product appearance. Product design and specifications may change without notice.

Following the repair by a non-authorized service provider, self-repair or non-professional repair of the product, Samsung is not liable for any damage to the product, any injury or any other product safety issue caused by any attempt to repair the product which does not carefully follow these repair and maintenance instructions. Any damage to the product caused by an attempt to repair the product by any person other than a Samsung certified service provider will not be covered by the warranty.

Please visit samsung.com/support to find further information about external power adapter and remote control associated with EU Ecodesign directive - ErP regulation

Decreasing power consumption

When you shut the Projector off, it enters Standby mode. In Standby mode, it continues to draw a small amount of power. To decrease power consumption, unplug the power cord when you don't intend to use the Projector for a long time.

Licences



The terms HDMI and HDMI High-Definition Multimedia Interface, and the HDMI Logo are trademarks or registered trademarks of HDMI Licensing LLC in the United States and other countries.

Hereby, Samsung declares that this radio equipment is in compliance with Directive 2014/53/EU and the relevant UK statutory requirements.

The full text of the declaration of conformity is available at the following internet address:
<http://www.samsung.com> go to Support and enter the model name.

This equipment may be operated in all EU countries and in the UK.

The 5 GHz WLAN(Wi-Fi) function of this equipment may only be operated indoors.

BT max transmitter power : 100mW at 2.4GHz – 2.4835GHz

Wi-Fi max transmitter power : 100mW at 2.4GHz-2.4835GHz, 200mW at 5.15GHz-5.25GHz, 100mW 5.25GHz-5.35GHz & 5.47GHz - 5.725GHz



Correct Disposal of This Product (Waste Electrical & Electronic Equipment)

(Applicable in countries with separate collection systems)

This marking on the product, accessories or literature indicates that the product and its electronic accessories (e.g. charger, headset, USB cable) should not be disposed of with other household waste at the end of their working life. To prevent possible harm to the environment or human health from uncontrolled waste disposal, please separate these items from other types of waste and recycle them responsibly to promote the sustainable reuse of material resources.

Household users should contact either the retailer where they purchased this product, or their local government office, for details of where and how they can take these items for environmentally safe recycling.

Business users should contact their supplier and check the terms and conditions of the purchase contract. This product and its electronic accessories should not be mixed with other commercial wastes for disposal.



Correct disposal of the batteries in this product


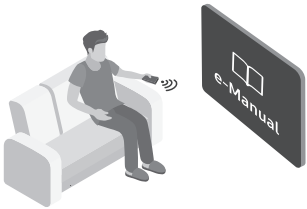
(Applicable in countries with separate collection systems)

This marking on battery, manual or packaging indicates that the batteries in this product should not be disposed of with other household waste at the end of their working life. Where marked, the chemical symbols Hg, Cd or Pb indicate that the battery contains mercury, cadmium or lead above the reference levels in EC Directive 2006/66. If batteries are not properly disposed of, these substances can cause harm to human health or the environment.

To protect natural resources and to promote material reuse, please separate batteries from other types of waste and recycle them through your local, free battery return system.

Avant de lire le présent manuel de l'utilisateur




Ce projecteur est fourni avec le présent manuel de l'utilisateur ainsi qu'un manuel électronique intégré.
Avant de lire le présent manuel de l'utilisateur, lisez les informations suivantes :

	Guide d'utilisation	Lisez le manuel de l'utilisateur fourni pour obtenir des informations sur la sécurité, l'installation, les accessoires, la configuration initiale et les spécifications du produit.
	e-Manual	Pour en savoir plus sur ce projecteur, consultez le manuel électronique intégré au produit. <ul style="list-style-type: none">• Pour ouvrir l' e-Manual, 🏠 > ⚙️ Paramètres > Assistance > Ouvrir e-Manual



Sur notre site Web (www.samsung.com), vous pouvez télécharger les manuels et accéder à leur contenu sur votre ordinateur portable ou périphérique mobile.

Apprendre à utiliser les fonctions d'assistance du manuel électronique

- Certains écrans de menu ne sont pas accessibles depuis le manuel électronique.

	Recherche	Choisissez un élément parmi les résultats de la recherche pour charger la page correspondante.
A-Z	Index	Sélectionnez un mot-clé pour accéder à la page appropriée. <ul style="list-style-type: none">– Les menus peuvent ne pas s'afficher suivant la région.
	Plan	L'e-Manual affiche les listes pour chaque élément.
	Regardé récemment	Sélectionnez une rubrique dans la liste des rubriques récemment consultées.

Apprendre à utiliser les boutons qui apparaissent dans les rubriques du manuel électronique

	Essayer	Permet d'accéder à l'option de menu correspondante et de l'exécuter instantanément.
	Associer	Accédez immédiatement à la rubrique à laquelle une page du e-Manual fait référence.

Avertissement ! Consignes de sécurité importantes

Veuillez lire les consignes de sécurité avant d'utiliser le projecteur.

Référez-vous au tableau ci-dessous pour connaître la signification des symboles pouvant apparaître sur votre produit Samsung.

ATTENTION	
RISQUE DE CHOC ÉLECTRIQUE. NE PAS OUVRIR.	
ATTENTION : POUR REDUIRE LES RISQUES D'ELECTROCUTION, NE RETIREZ PAS LE COUVERCLE (NI LE PANNEAU ARRIERE). AUCUNE DES PIECES SITUEES A L'INTERIEUR DU PRODUIT NE PEUT ETRE REPAREE PAR L'UTILISATEUR. POUR TOUT DEPANNAGE, ADRESSEZ-VOUS A UN SPECIALISTE.	
	Ce symbole indique que ce produit est alimenté par haute tension. Il est dangereux de toucher la moindre pièce située à l'intérieur de ce produit.
	Ce symbole indique qu'une documentation importante relative au fonctionnement et à l'entretien est fournie avec le produit.
	Tension CA : La tension nominale indiquée par ce symbole est une tension CA.
	Tension CC : La tension nominale indiquée par ce symbole est une tension CC.
	Avertissement. Consulter le mode d'emploi : ce symbole avertit l'utilisateur qu'il doit consulter le manuel d'utilisation pour en savoir plus sur les informations relatives à la sécurité.

Installation

- Les fentes et les ouvertures aménagées dans le boîtier ainsi qu'à l'arrière et en dessous de l'appareil assurent la ventilation de ce dernier. Afin de garantir le bon fonctionnement de l'appareil et d'éviter les risques de surchauffe, ces fentes et ouvertures ne doivent être ni obstruées ni couvertes.
 - Ne placez pas l'appareil dans un environnement clos tel qu'une bibliothèque ou une armoire encastrée, sauf si une ventilation adéquate est prévue.

- Ne placez pas l'appareil à proximité ou au-dessus d'un radiateur ou d'une bouche de chauffage, ni dans un endroit exposé à la lumière directe du soleil.
- Ne placez pas de récipients contenant de l'eau (vases, etc.) sur l'appareil afin d'éviter tout risque d'incendie ou de choc électrique.
- N'exposez pas l'appareil à la pluie ou à l'humidité.
- Si vous prévoyez d'installer le projecteur Samsung dans des endroits exposés à la poussière, à des températures faibles ou élevées, à une forte humidité, à des substances chimiques ou s'il fonctionnera 24 h/24, comme dans un aéroport ou une gare ferroviaire, contactez un centre de service agréé pour obtenir des informations. Le non-respect de ce qui précède peut entraîner de sérieux dégâts au niveau du projecteur.
- N'exposez pas l'appareil aux gouttes ni aux éclaboussures.
- Ne vous débarrassez pas des piles en les brûlant.
- Les piles (emballées ou installées) ne doivent pas être exposées à une source de chaleur excessive, telle que les rayons du soleil, des flammes, etc.
- **ATTENTION** : Le remplacement des piles de la télécommande par un type de piles inapproprié présente un risque d'explosion. Ne les remplacez que par des piles du même type.
- **ATTENTION** : POUR ÉVITER TOUT RISQUE D'INCENDIE, TENEZ TOUJOURS CE PRODUIT À DISTANCE DES BOUGIES ET AUTRES FLAMMES NUES.
- Faites preuve de prudence si vous touchez le projecteur alors qu'il est allumé depuis un certain temps. Certaines parties peuvent être chaudes.



Opération

- Cet appareil fonctionne sur piles. Dans un souci de préservation de l'environnement, la réglementation locale en vigueur peut prévoir des mesures spécifiques de mise au rebut des piles usagées. Veuillez contacter les autorités compétentes afin d'obtenir des informations sur la mise au rebut ou le recyclage des piles.
- Veillez à ne pas faire tomber le produit ni à lui donner des coups. Si le produit est endommagé, débranchez le cordon d'alimentation et contactez un centre de service Samsung.
- Si vous avez besoin d'éteindre complètement le projecteur, attendez que le ventilateur soit totalement arrêté, afin que le projecteur soit bien refroidi.

Alimentation

- Evitez de surcharger les prises murales, les rallonges et les adaptateurs, car cela entraîne un risque d'incendie ou de choc électrique.
- Les cordons d'alimentation doivent être déroulés de sorte qu'aucun objet placé sur ou contre eux ne les chevauche ni les pince. Accordez une attention particulière aux cordons au niveau de l'extrémité des fiches, des prises murales et de la sortie de l'appareil.
- En cas d'orage, d'absence ou de non-utilisation de votre appareil pendant une longue période, débranchez-le de la prise murale, de même que l'antenne ou le système de câbles. Ces précautions éviteront que l'appareil ne soit endommagé par la foudre ou par des surtensions.
- Avant de raccorder le cordon d'alimentation secteur du projecteur, assurez-vous que la tension opérationnelle du projecteur correspond à la tension délivrée par le réseau électrique local. Reportez-vous à la section sur les caractéristiques électriques du manuel et/ou à l'étiquette d'alimentation apposée sur le produit pour en savoir plus sur la tension et l'ampérage.
- N'insérez jamais d'objet métallique dans les parties ouvertes de cet appareil. Vous pourriez vous électrocuter.
- Afin d'éviter tout risque d'électrocution, ne mettez jamais les doigts à l'intérieur de l'appareil. Seul un technicien qualifié est habilité à ouvrir cet appareil.

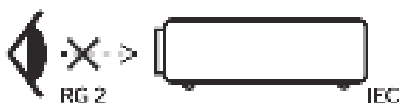
- Veillez à brancher correctement et complètement le cordon d'alimentation. Lorsque vous débranchez le cordon d'alimentation d'une prise murale, tirez toujours sur la fiche du cordon d'alimentation. Ne le débranchez jamais en tirant sur le cordon d'alimentation. Ne touchez pas le cordon d'alimentation si vous avez les mains mouillées.
- Si l'appareil ne fonctionne pas normalement, en particulier s'il émet des odeurs ou des sons anormaux, débranchez-le immédiatement et contactez un revendeur ou un centre de service Samsung.
- Si vous prévoyez de ne pas utiliser le projecteur ou de vous absenter de chez vous pendant une période prolongée, veillez à retirer la fiche d'alimentation de la prise (en particulier si des enfants, des personnes âgées ou des personnes handicapées restent seuls au domicile).
 - L'accumulation de poussière peut amener le cordon d'alimentation à produire des étincelles et de la chaleur ou l'isolation à se détériorer, entraînant un risque de fuite électrique, d'électrocution et d'incendie.
- N'utilisez que des fiches et des prises murales correctement reliées à la terre.
 - Une mise à la terre incorrecte peut entraîner des chocs électriques ou endommager l'appareil (appareils de classe I uniquement).
- Pour éteindre complètement cet appareil, débranchez-le de la prise murale. Assurez-vous que la prise murale et la fiche d'alimentation sont facilement accessibles afin de pouvoir débrancher l'appareil rapidement si nécessaire.

Nettoyage

- Pour nettoyer l'appareil, retirez le cordon d'alimentation de la prise murale et nettoyez le produit à l'aide d'un chiffon doux et sec. N'utilisez aucune substance chimique, telle que la cire, le benzène, l'alcool, des solvants, des insecticides, des désodorisants, des lubrifiants ou des détergents. Ces substances chimiques peuvent altérer l'aspect du projecteur ou effacer les imprimés se trouvant sur celui-ci.
- Veillez à ne pas pulvériser d'eau ou tout autre liquide directement sur le projecteur. Tout liquide qui entre dans le produit peut engendrer une défaillance, un incendie ou une électrocution.

Laser

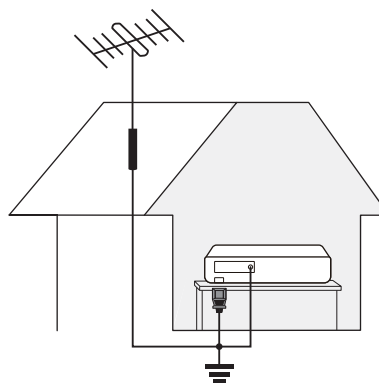
- Ne bloquez pas la lumière qui émane de l'objectif du projecteur lorsque celui-ci est en marche. La lumière risquerait alors de chauffer l'objectif et de le faire fondre ou brûler, ou de provoquer un incendie.
- Ne regardez jamais directement la lumière qui émane de l'objectif du projecteur, et ne la projetez pas dans les yeux de quelqu'un.



- **AVERTISSEMENT : FIXER SUFFISAMMENT HAUT PAR RAPPORT À LA TÊTE DES ENFANTS**
Avertissement supplémentaire relatif aux dommages oculaires pouvant survenir en cas d'exposition inférieure à 1 m.
- Comme avec toute source très lumineuse, ne regardez pas directement le faisceau RG2 IEC 62471-5:2015.
- Ce projecteur est classé comme appareil laser de classe 1 conformément à la norme IEC 60825-1:2014 et au groupe de risque 2 satisfaisant aux exigences de la norme IEC 62471-5:2015
- Instructions supplémentaires concernant la surveillance des enfants, l'interdiction de regarder directement le faisceau lumineux et la non-utilisation de dispositifs d'aide optique
 - Il est vivement conseillé de surveiller les enfants et de leur interdire de regarder directement le faisceau lumineux du projecteur, à quelque distance que ce soit.
 - Faites preuve de prudence lorsque vous utilisez la télécommande pour allumer le projecteur et que vous vous tenez devant l'objectif de projection.
 - Il est vivement déconseillé d'utiliser des dispositifs d'aide optique, tels que des jumelles ou un télescope, dans le faisceau lumineux.
- Le projecteur ne doit être ni ouvert, ni démonté, car l'exposition au rayonnement laser pourrait l'endommager.

Antenne

- Pliez la partie où l'antenne extérieure rentre dans l'appareil, afin que l'eau de pluie ne puisse pas pénétrer dedans.
- Si vous utilisez une antenne extérieure, installez-la aussi loin que possible des fils électriques afin qu'elle ne risque pas d'en toucher un si elle tombe en raison de fortes rafales de vent.



Sommaire

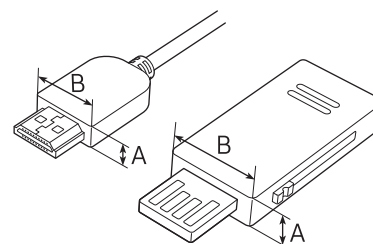
Avant de lire le présent manuel de l'utilisateur	2
Avertissement ! Consignes de sécurité importantes	3
01 Contenu de la boîte	
02 Présentation du produit	
À propos du projecteur	8
03 Les Samsung Smart Remote	
À propos des boutons de la Samsung Smart Remote	9
Appairage du projecteur avec la Samsung Smart Remote	10
Insertion des piles dans le Samsung Smart Remote	10
04 Installation du projecteur	
Taille d'image et distance de projection	12
Utilisation du Bouton de mise en marche	13
Fixation du projecteur à un mur	14
05 Résolution des problèmes et entretien	
Résolution des problèmes	15
Modification du mot de passe du projecteur	16
06 Spécifications et informations supplémentaires	
Caractéristiques techniques	17
Conditions ambiantes	17
Réduction de la consommation d'énergie	18
Licences	18

01 Contenu de la boîte

Vérifiez que les éléments suivants sont inclus avec votre projecteur. S'il manque des éléments, contactez votre revendeur.

- Samsung Smart Remote & piles (AA x 2)
- Carte de garantie / Guide réglementaire (non disponible dans tous les pays)
- Guide d'utilisation
- Câble d'alimentation

- Les couleurs et les formes des éléments peuvent varier en fonction des modèles.
- Il est possible d'acheter séparément les câbles non fournis.
- Lors du raccordement d'un câble HDMI ou USB, ou du raccordement d'un lecteur flash USB au port HDMI ou USB, utilisez un produit dont les dimensions ne dépassent pas 18 mm de large et 10 mm de haut. Si le câble ou lecteur flash USB ne correspond pas aux ports USB du projecteur, utilisez un câble d'extension compatible USB 2.0.
- Utilisez un câble certifié sur lequel figure le logo HDMI.
- L'utilisation d'un câble HDMI non certifié risque d'empêcher l'affichage de l'écran ou de provoquer une erreur de connexion.
(Types de câbles HDMI recommandés)
 - Câble HDMI ultra haute vitesse (3 m maximum)



$A \leq 10 \text{ mm} / B \leq 18 \text{ mm}$

Des frais d'administration peuvent vous être facturés dans les situations suivantes :

(a) Un technicien intervient à votre demande alors que le produit ne présente aucun défaut (c.-à-d. vous n'avez pas lu le manuel d'utilisation).

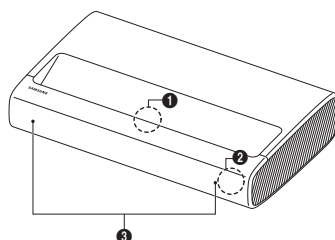
(b) Vous apportez le produit dans un centre de service après-vente Samsung alors que le produit ne présente aucun défaut (c.-à-d. vous n'avez pas lu le manuel d'utilisation).

Le montant des frais d'administration vous sera communiqué avant la visite du technicien.

02 Présentation du produit

À propos du projecteur

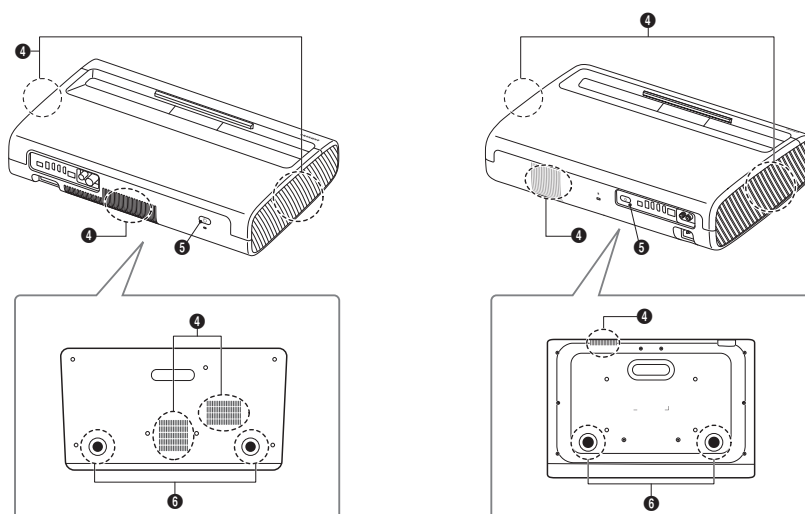
<Avant>



SP-LSP7TFA

SP-LSP9TFA

<Arrière>



❶ Lentille

❷ Capteur/voyants lumineux de la télécommande

❸ Enceinte

❹ Ventilation

❺ Bouton de mise en marche

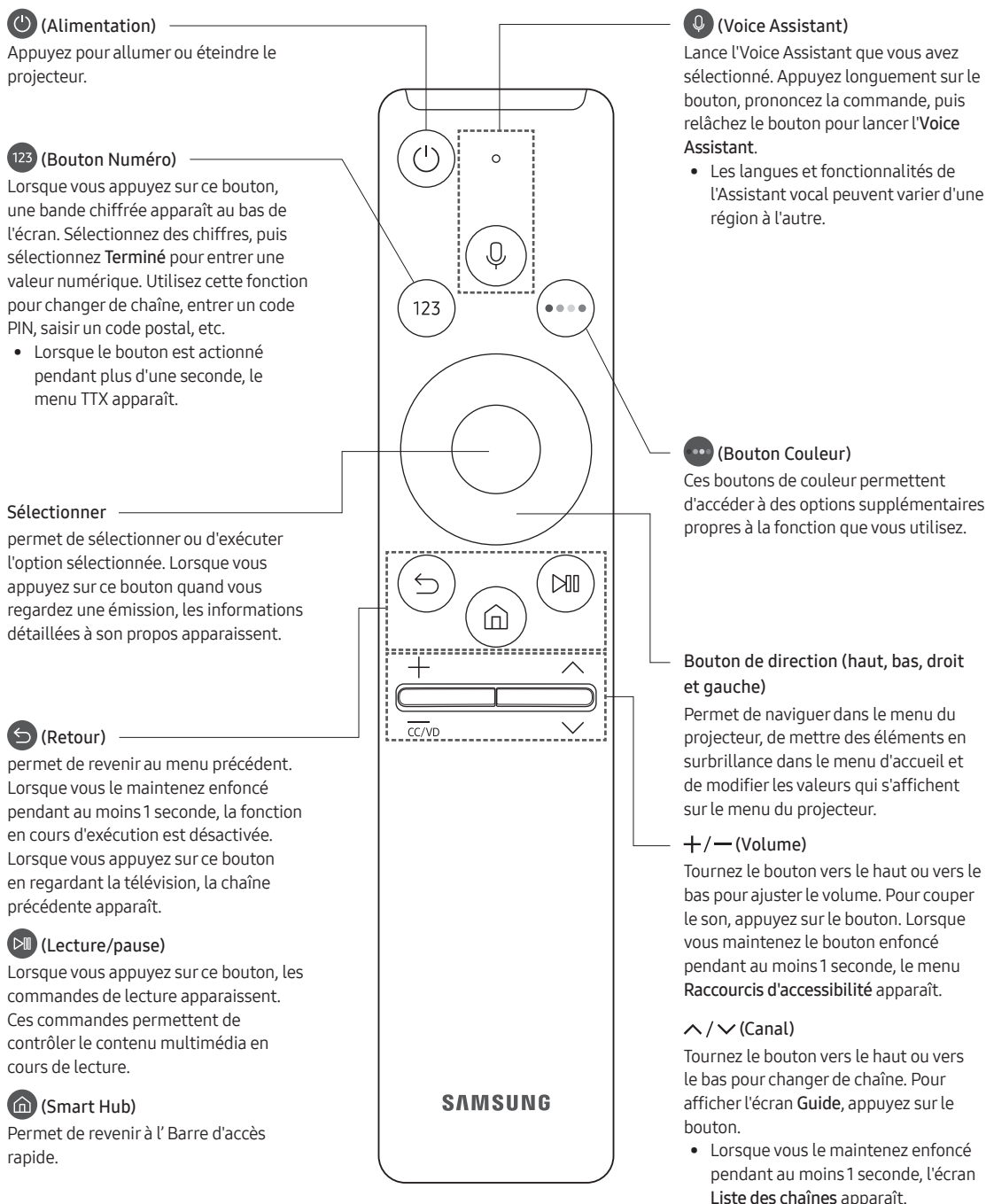
❻ Vis de réglage de l'inclinaison

- La couleur et la forme du produit peuvent varier en fonction du modèle.
- N'obstruez pas les ouvertures d'arrivée d'air et d'évacuation du projecteur.
- En cas d'utilisation du projecteur dans un espace clos, laissez un espacement minimal de 50 cm autour des ouvertures d'arrivée d'air et d'évacuation.

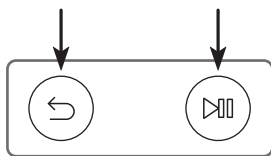
03 Les Samsung Smart Remote



À propos des boutons de la Samsung Smart Remote

- Les images, les boutons et les fonctions de la Samsung Smart Remote peuvent varier en fonction du modèle.
- La fonction Config téléc universelle ne fonctionne correctement que si vous utilisez la Samsung Smart Remote fournie avec le projecteur.

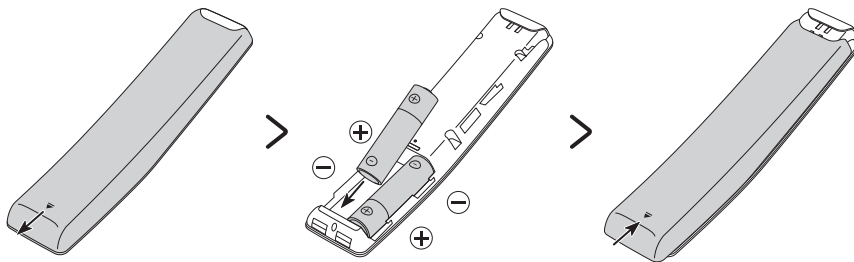


Appairage du projecteur avec la Samsung Smart Remote



Quand vous allumez votre projecteur pour la première fois, la Samsung Smart Remote s'appaire automatiquement avec le projecteur. Si la Samsung Smart Remote ne s'appaire pas automatiquement au projecteur, dirigez-la vers le capteur de télécommande du projecteur, puis maintenez simultanément les boutons  et  enfoncés, comme illustré à gauche, pendant au moins 3 secondes.

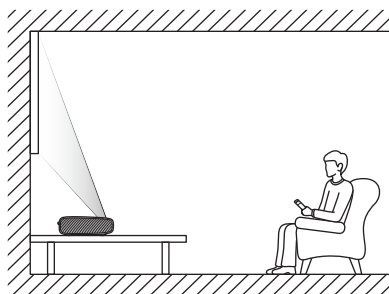
Insertion des piles dans le Samsung Smart Remote



Pour installer les piles, ouvrez le cache arrière en appuyant dessus dans le sens de la flèche au bas de l'illustration, puis insérez les piles comme illustré sur le schéma. Assurez-vous que les côtés positifs et négatifs sont dans le bon sens. Fermez le cache arrière comme illustré.

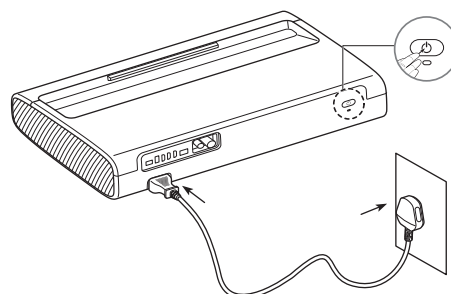
- Nous vous recommandons d'utiliser des piles alcalines pour une autonomie optimale.

04 Installation du projecteur



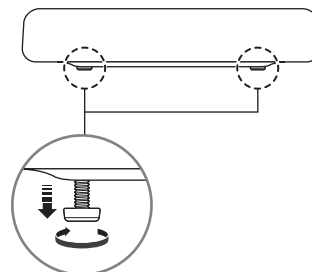
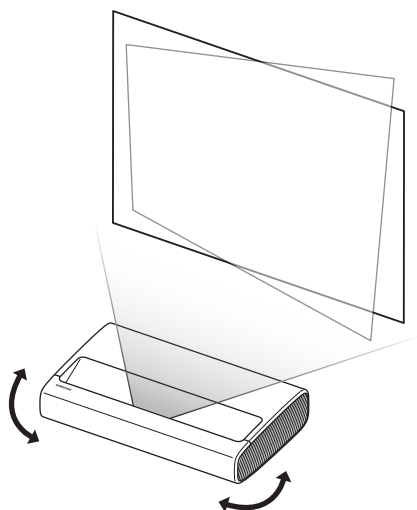
Installez le projecteur à l'horizontale sur une surface plane afin d'éviter qu'il soit incliné. Lorsque l'écran et le projecteur ne sont pas alignés horizontalement et verticalement, ou que l'écran est incurvé, l'affichage peut être déformé.

1. Placez le projecteur à une distance suffisante de l'écran sur lequel l'image sera projetée, connectez-le à l'aide du câble d'alimentation et allumez-le.
 - Lorsque vous allumez votre projecteur pour la première fois, la configuration initiale démarre automatiquement. Suivez les instructions affichées à l'écran pour configurer les paramètres de base en fonction de votre environnement de visionnage.
 - Vous pouvez allumer le projecteur à l'aide du bouton marche/arrêt qui se trouve à l'arrière de l'appareil, et utiliser ensuite le **Menu de contrôle**. Le **Menu de contrôle** apparaît lorsque vous appuyez sur le bouton marche/arrêt quand le projecteur est allumé.
 - Si l'écran apparaît asymétrique ou flou, suivez l'instruction suivante pour régler les paramètres d'affichage.

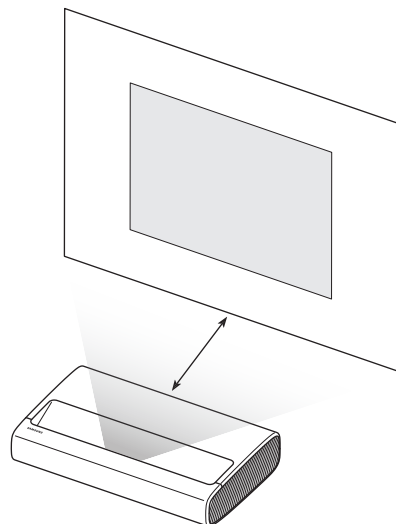


- La couleur et la forme du produit peuvent varier en fonction du modèle.

2. Réglez l'angle en déplaçant le projecteur vers la gauche ou vers la droite, ou ajustez les vis de réglage de l'inclinaison sous l'appareil, de sorte que l'écran soit bien rectangulaire.

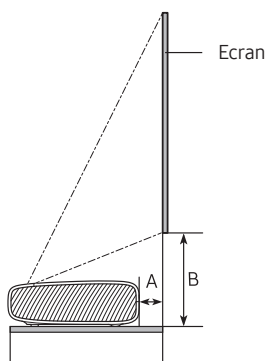


3. Déplacez le projecteur vers l'avant ou vers l'arrière pour ajuster la distance de projection en fonction de la taille d'écran souhaitée.
 - Si l'écran projeté est flou, procédez aux réglages adéquats dans **Paramètres > Général > Paramètres du Projecteur > Focus**.
 - Si l'angle de l'écran projeté n'est pas droit, procédez aux réglages adéquats dans **Paramètres du Projecteur > Réglage de l'écran**.
Dans ce cas, il se peut que la résolution de l'écran soit plus faible.
 - Pour savoir à quelle taille d'écran correspond chaque distance de projection, consultez le tableau ci-dessous.



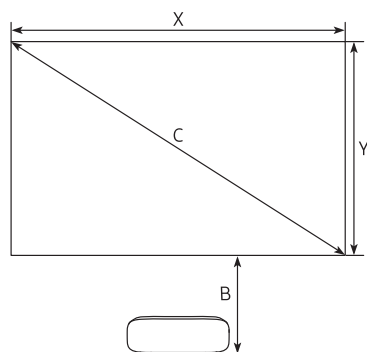
Taille d'image et distance de projection

- Les tailles d'écran pour chaque distance de projection peuvent varier selon l'environnement d'installation.



SP-LSP7TFA

C (pouces)	X (mm)	Y (mm)	A (mm)	B (mm)
90	1992	1121	247	349
95	2103	1183	275	364
100	2214	1245	303	379
105	2324	1308	331	394
110	2435	1370	359	409
115	2546	1432	387	424
120	2657	1494	415	439



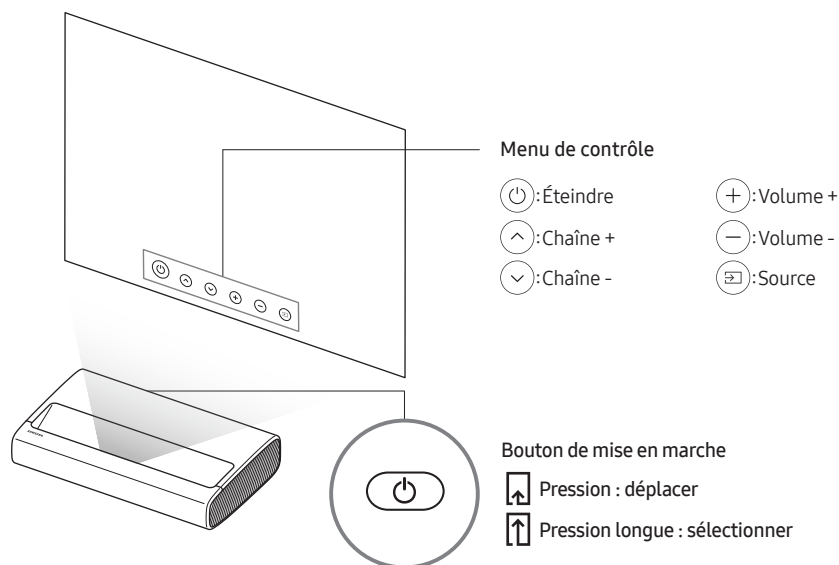
SP-LSP9TFA

C (pouces)	X (mm)	Y (mm)	A (mm)	B (mm)
100	2214	1245	113	351
105	2324	1308	134	363
110	2435	1370	154	376
115	2546	1432	175	388
120	2657	1494	196	401
125	2767	1557	217	413
130	2878	1619	238	426

Utilisation du Bouton de mise en marche

Vous pouvez allumer le projecteur à l'aide du bouton marche/arrêt qui se trouve à l'arrière de l'appareil, et utiliser ensuite le **Menu de contrôle**. Le **Menu de contrôle** apparaît lorsque vous appuyez sur le bouton marche/arrêt quand le projecteur est allumé. Pour plus d'informations sur son utilisation, consultez l'illustration ci-dessous.

- Actionnez les boutons depuis le côté de l'appareil afin que l'image projetée ne soit pas obscurcie.
- Veuillez faire attention à ne pas regarder la lumière émise en actionnant le bouton.

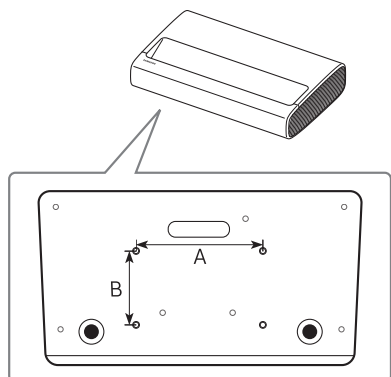


- La couleur et la forme du produit peuvent varier en fonction du modèle.

Fixation du projecteur à un mur



Pour installer le projecteur sur un mur, consultez un professionnel. S'il était mal fixé, le projecteur pourrait tomber, blesser quelqu'un et le produit pourrait être endommagé.



Lors de l'installation d'un kit de montage mural, il est recommandé de serrer les quatre vis.

Caractéristiques des trous de vis (A * B) en millimètres	Profondeur de vis (mm)	Vis standard	Quantité
235 x 135	7-9	M6	4

- La couleur et la forme du produit peuvent varier en fonction du modèle.





N'installez pas le kit de montage mural lorsque le projecteur est allumé. Vous risqueriez de vous électrocuter.

- N'utilisez pas de vis plus longues que la dimension standard ou non conformes aux caractéristiques des vis standard. Des vis trop longues pourraient endommager l'intérieur du projecteur.
- Pour les fixations murales non conformes aux caractéristiques des vis standard, la longueur des vis peut varier selon les caractéristiques de la fixation murale.
- Ne serrez pas les vis trop fermement. Cela pourrait endommager l'appareil ou provoquer sa chute, entraînant des blessures. Samsung ne peut être tenue responsable de ce type d'accident.
- Samsung ne peut être tenue responsable de tout endommagement du produit ou de toute blessure corporelle dans le cas de l'utilisation d'un support mural non spécifié, ou si l'utilisateur ne suit pas les instructions d'installation du produit.
- Deux personnes sont nécessaires pour fixer le projecteur au mur.

05 Résolution des problèmes et entretien

Résolution des problèmes


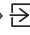




En cas de problème, commencez par consulter la liste des problèmes potentiels et de leurs solutions. Vous pouvez également vous référer à la section Résolution des problèmes du manuel électronique. Si aucune de ces solutions de dépannage ne s'applique à votre problème, rendez-vous sur le site « www.samsung.com » et cliquez sur Assistance, ou contactez le centre d'appels dont les coordonnées figurent sur la dernière page de ce manuel.

- Pour maintenir votre projecteur dans des conditions optimales, mettez-le à niveau avec le dernier logiciel disponible. Utilisez les fonctions **Mettre à jour maintenant** ou **Mise à jour auto** dans le menu du projecteur ( >  Paramètres > Assistance > Mise à jour du logiciel > Mettre à jour maintenant ou Mise à jour auto).

Le projecteur ne s'allume pas.

- Vérifiez que le câble d'alimentation secteur est correctement branché sur le projecteur et sur la prise murale.
- Assurez-vous que la prise murale fonctionne et que le capteur de la télécommande qui se trouve à droite sur le devant du projecteur est allumé en rouge.
- Appuyez sur le bouton **Marche/arrêt** à l'arrière du projecteur pour vous assurer que le problème ne vient pas de la télécommande. Si le projecteur s'allume, reportez-vous au problème « La télécommande ne fonctionne pas ».

L'image, la vidéo ou le son d'un appareil externe ne fonctionne pas ou est déformé(e), le message « Signal faible ou inexistant » s'affiche sur le projecteur, ou bien vous ne trouvez pas une chaîne.




- Vérifiez que le périphérique est correctement raccordé et que tous les câbles sont bien enfoncés.
- Débranchez et rebranchez tous les câbles reliés au projecteur et aux périphériques externes. Si possible, essayez avec d'autres câbles.
- Confirmez que la bonne source d'entrée a été sélectionnée ( >  Source).
- Exécutez un autodiagnostic du projecteur pour déterminer si le problème est provoqué par le projecteur ou par le périphérique ( >  Paramètres > Assistance > Maintenance de l'appareil > Diagnostic automatique > Test de l'image ou Test du son).
- Si les résultats du test sont normaux, redémarrez les périphériques connectés en débranchant chaque câble d'alimentation, puis en le rebranchant. Si le problème persiste, consultez les instructions de raccordement dans le manuel d'utilisation du périphérique externe.
- Si vous n'utilisez pas de décodeur câble ou satellite et que votre projecteur reçoit les signaux de diffusion par le biais d'une antenne ou d'une prise murale, exécutez **Recherche automatique** pour rechercher des chaînes ( >  Paramètres > Diffusion > (Paramètres de recherche automatique) > Recherche automatique).
 - De même, selon le modèle ou la région, il est possible que les Paramètres de recherche automatique ne soient pas pris en charge.
 - Si vous utilisez un décodeur câble ou satellite, consultez le manuel de l'utilisateur du décodeur câble ou satellite.

La télécommande ne fonctionne pas.

- Vérifiez que le capteur de la télécommande qui se trouve à droite sur le devant du projecteur clignote lorsque vous appuyez sur le bouton Marche/arrêt de la télécommande. Si ce n'est pas le cas, remplacez les piles de la télécommande.
- Assurez-vous que la polarité (+/-) des piles est respectée.
- Essayez de diriger directement la télécommande vers le projecteur à une distance comprise entre 1,5 et 1,8 m.
- Si votre projecteur est fourni avec une Samsung Smart Remote (télécommande Bluetooth), veillez à l'appairer avec le projecteur.

Modification du mot de passe du projecteur

 >  Paramètres > Général > Gestionnaire système > Modifier le code PIN

1. Exécutez **Modifier le code PIN**, puis entrez le mot de passe actuel dans le champ approprié. Le mot de passe par défaut est "0000" (pour la France : "1111").
 2. Saisissez un nouveau mot de passe, puis saisissez-le de nouveau pour le confirmer. La modification du mot de passe est terminée.
- Si vous avez oublié votre code PIN, appuyez sur les touches dans l'ordre suivant pour redéfinir le code sur "0000" (pour la France : "1111"):
Sur la télécommande Samsung Smart Remote: Sélectionnez le bouton **+/-** (Volume). > **Volume +** >  > **Volume -** >  > **Volume +** > .

06 Spécifications et informations supplémentaires

Caractéristiques techniques

Nom du modèle	SP-LSP7TFA	SP-LSP9TFA
Résolution de l'affichage	3840 x 2160	
Lentille	Fixe	
Taille d'image (diagonale)	90" ~ 120"	100" ~ 130"
Son (Sortie)	30 W	40 W
Dimensions (L x H x P)		
Corps	532,0 x 119,1 x 342,0 mm	550,0 x 128,0 x 367,0 mm
Avec vis de réglage	532,0 x 132,7 x 342,0 mm	550,0 x 141,0 x 367,0 mm
Poids (avec vis de réglage)	9,1 kg	11,5 kg

Conditions ambiantes

Température de fonctionnement	10°C à 40°C (50°F à 104°F)
Humidité de fonctionnement	10 à 80 %, sans condensation
Température de stockage	-20°C à 45°C (-4°F à 113°F)
Humidité de stockage	5 à 95 %, sans condensation

Remarques

- La conception et les spécifications peuvent être modifiées sans préavis.
- Appareil numérique de Classe B.
- Pour plus d'informations sur l'alimentation et la consommation, reportez-vous aux renseignements fournis sur l'étiquette apposée sur le produit.
 - L'étiquette de classification et les mises en garde relatives au laser se trouvent sur le dessous du projecteur.
- La consommation de courant normale est mesurée selon la norme CEI 62087.
- Tous les schémas ne sont pas nécessairement à l'échelle. Certaines dimensions peuvent être modifiées sans notification préalable. Consultez les dimensions avant d'installer votre projecteur. Nous ne sommes pas responsables des éventuelles erreurs typographiques ou d'impression.
- Pour connecter un câble LAN, utilisez un câble CAT 7 (*type STP). (100/10 Mbits/s)
 - * Shielded Twisted Pair
- Les schémas et illustrations contenus dans ce manuel de l'utilisateur sont fournis uniquement à titre de référence. L'aspect réel du produit peut être différent. La conception et les spécifications du produit sont susceptibles d'être modifiées sans préavis.

Samsung ne saurait être tenu responsable en cas d'endommagement du produit suite à une réparation effectuée par un fournisseur de services non agréé ou encore par le client lui-même. Samsung décline toute responsabilité en cas d'endommagement du produit, de blessures ou autre problème de sécurité résultant d'une ouverture du produit par un tiers en mépris des consignes de réparation et d'entretien. Toute dommage causé lors d'une tentative de réparation par un tiers autre qu'un prestataire agréé par SAMSUNG ne saurait être couvert par la garantie.

Rendez-vous sur samsung.com/support pour plus d'informations sur les adaptateurs électriques et les télécommandes en conformité avec la Directive Européenne ErP – Energy related Products

Réduction de la consommation d'énergie

Lorsque vous éteignez le projecteur, il passe en mode veille. En mode veille, le téléviseur continue à consommer une petite quantité de courant. Pour réduire la consommation d'énergie, débranchez le cordon d'alimentation lorsque vous ne prévoyez pas d'utiliser le projecteur pendant une période prolongée.

Licences



The terms HDMI and HDMI High-Definition Multimedia Interface, and the HDMI Logo are trademarks or registered trademarks of HDMI Licensing LLC in the United States and other countries.

Par la présente, Samsung déclare que cet équipement radio est conforme à la Directive 2014/53/UE et aux exigences réglementaires pertinentes du Royaume-Uni.

Le texte complet de la déclaration de conformité est disponible ici :

<http://www.samsung.com>, sélectionnez Assistance et entrez le nom du modèle.

Cet équipement peut fonctionner dans tous les pays de l'UE et au Royaume-Uni.

La fonction WLAN 5 GHz (Wi-Fi) de cet équipement ne peut être utilisée qu'en intérieur.

Puissance de transmission BT max. : 100 mW à 2,4 GHz – 2,4835 GHz

Puissance de transmission Wi-Fi max. : 100 mW à 2,4 GHz-2,4835 GHz, 200 mW à 5,15 GHz-5,25 GHz, 100 mW à 5,25 GHz-5,35 GHz & 5,47 GHz - 5,725 GHz



**Instructions de mise au rebut de ce produit (déchets d'équipements électriques et électroniques)
(Applicable dans les pays pratiquant la collecte sélective de déchets)**

Ce symbole présent sur le produit, ses accessoires ou sa documentation indique que ni le produit, ni ses accessoires électroniques usagés (chargeur, casque audio, câble USB, etc.) ne peuvent être jetés avec les autres déchets ménagers. La mise au rebut incontrôlée des déchets présentant des risques pour l'environnement et la santé publique, veuillez séparer vos produits et accessoires usagés des autres déchets. Vous favoriserez ainsi le recyclage de la matière qui les compose dans le cadre d'un développement durable.

Les particuliers sont invités à contacter le magasin leur ayant vendu le produit ou à se renseigner auprès des autorités locales pour connaître les procédures et les points de collecte de ces produits en vue de leur recyclage.

Les utilisateurs professionnels doivent contacter leur fournisseur et consulter les conditions générales du contrat d'achat. Ce produit et ses accessoires ne peuvent être jetés avec les autres déchets professionnels et commerciaux.



Elimination des piles de ce produit


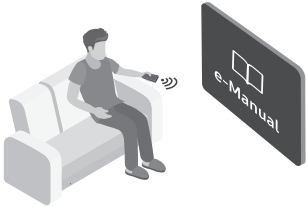


(Applicable dans les pays pratiquant la collecte sélective de déchets)

Le symbole présent sur le manuel, l'emballage ou les piles indique que celles-ci ne doivent pas être éliminées en fin de vie avec les autres déchets ménagers. Le cas échéant, les symboles chimiques Hg, Cd ou Pb signifient que la pile contient du mercure, du cadmium ou du plomb à des niveaux supérieurs aux niveaux de référence indiqués dans la directive CE 2006/66. Si les piles ne sont pas correctement éliminées, ces substances peuvent causer des dommages à la santé humaine ou l'environnement.

Afin de protéger les ressources naturelles et de favoriser la réutilisation du matériel, veuillez à séparer les piles des autres types de déchets et à les recycler via votre système local de collecte gratuite des piles et accumulateurs.

Vor dem Lesen der Bedienungsanleitung





Dieser Projektor wurde mit dieser Bedienungsanleitung und einem eingebetteten e-Manual geliefert. Überprüfen Sie die Folgendes, ehe Sie die Bedienungsanleitung lesen:

	Benutzerhandbuch	Lesen Sie dieses Handbuch, um Informationen zu Fragen der Sicherheit, Installation, des Zubehörs, der Ersteinrichtung und zu den technischen Daten des Geräts anzuzeigen.
	e-Manual	Weitere Informationen zu diesem Projektor erhalten Sie in dem in das Gerät eingebetteten e-Manual. <ul style="list-style-type: none"> • So öffnen Sie das e-Manual .  >  Einstellungen > Unterstützung > e-Manual öffnen



Auf der Website (www.samsung.com) können Sie die Handbücher herunterladen und ihren Inhalt auf einem PC oder Mobilgerät anzeigen.

Lernen der Assistenzfunktionen des e-Manual

- Auf manche Menübildschirme können Sie über das e-Manual nicht zugreifen.

	Suchen	Hiermit wählen Sie einen Treffer in der Liste mit den Suchergebnissen aus, um die entsprechende Seite zu laden.
	Index	Hiermit wählen Sie ein Stichwort aus, um zur entsprechenden Seite zu navigieren. <ul style="list-style-type: none"> – Die Menüs werden, je nach Region, möglicherweise nicht angezeigt.
	Plan der Website	Sie enthält Listen mit den verschiedenen Themen im e-Manual.
	Kürzlich angesehen	Hiermit wählen Sie ein Thema aus der Liste der kürzlich angesehenen Themen aus.






Lernen der Funktionen für die auf den Themenseiten des e-Manuals angezeigten Tasten

	Jetzt testen	Hiermit können Sie die entsprechende Menüoption auswählen und die Funktion sofort ausprobieren.
	Verknüpfung	Hiermit können Sie sofort auf ein unterstrichenes Thema zugreifen, das mit einer e-Manual-Seite verbunden ist.

Achtung! Wichtige Sicherheitshinweise

Lesen Sie die Sicherheitshinweise sorgfältig, bevor Sie den Projektor verwenden.

In der folgenden Tabelle finden Sie eine Erklärung für die Symbole, die Sie möglicherweise auf Ihrem Samsung-Produkt sehen.

ACHTUNG	
GEFAHR DURCH STROMSCHLAG NICHT ÖFFNEN	
ACHTUNG: UM DAS RISIKO EINES STROMSCHLAGS ZU VERRINGERN, DÜRFEN SIE DIE ABDECKUNG (ODER RÜCKSEITE) NICHT ÖFFNEN. ES BEFINDEN SICH IM INNEREN KEINE TEILE, DIE VON BENUTZERN GEWARTET WERDEN KÖNNEN. ALLE WARTUNGSARBEITEN SIND QUALIFIZIERTEM FACHPERSONAL ZU ÜBERLASSEN.	
	Dieses Symbol zeigt an, dass im Inneren Hochspannung vorhanden ist. Es ist gefährlich, Teile im Inneren dieses Bildschirms zu berühren.
	Dieses Symbol weist darauf hin, dass diesem Gerät wichtige Anweisungen zum Betrieb und zur Wartung beigefügt sind.
	Wechselspannung: Bei einer mit diesem Symbol gekennzeichneten Nennspannung handelt es sich um eine Wechselspannung.
	Gleichspannung: Bei einer mit diesem Symbol gekennzeichneten Nennspannung handelt es sich um eine Gleichspannung.
	Achtung! Gebrauchsanweisung beachten: Dieses Symbol weist den Benutzer an, weitere sicherheitsrelevante Informationen der Gebrauchsanweisung zu entnehmen.

- Außerdem darf das Gerät keinesfalls in der Nähe oder oberhalb eines Heizstrahlers oder -körpers aufgestellt werden oder an Orten, an denen es direkter Sonneneinstrahlung ausgesetzt ist.
- Stellen Sie keine mit Flüssigkeit gefüllten Behälter (Vasen usw.) auf das Gerät, da dies zu einem Brand oder Stromschlag führen kann.
- Setzen Sie dieses Gerät niemals Regen oder Feuchtigkeit aus.
- Wenden Sie sich für weiterführende Informationen an ein offizielles Kundendienstzentrum, wenn Ihr Projektor an einem Ort mit einer hohen Konzentration von Staubpartikeln, außergewöhnlich hohen oder niedrigen Temperaturen, hoher Luftfeuchtigkeit oder in unmittelbarer Nähe zu Chemikalien aufgestellt oder z. B. an einem Bahnhof oder Flughafen im Dauerbetrieb verwendet werden soll. Eine nicht fachgerechte Aufstellung kann zu schweren Schäden am Gerät führen.
- Setzen Sie das Gerät niemals Regen oder Feuchtigkeit aus.
- Entsorgen Sie Batterien niemals in einem Feuer.
- Batterien (Batteriepacks oder eingelegte Batterien) dürfen niemals zu großer Hitze durch z. B. Sonnenschein, Feuer o. ä. ausgesetzt werden.
- **ACHTUNG:** Wenn Sie die für die Fernbedienung mitgelieferten Batterien durch neue Batterien des falschen Typs ersetzen, besteht Explosionsgefahr. Setzen Sie nur Batterien des gleichen oder eines gleichwertigen Typs ein.
- **ACHTUNG: SORGEN SIE DAFÜR, DASS DAS GERÄT NIEMALS IN DIE NÄHE VON KERZEN, OFFENEM FEUER ODER SONSTIGEN GEGENSTÄNDEN MIT OFFENEN FLAMMEN GELANGT. ANDERNFALLS BESTEHT BRANDGEFAHR.**
- Seien Sie vorsichtig, wenn Sie den Projektor nach längerem Betrieb berühren. Einige Teile können sich heiß anfühlen.

Installation

- Die Schlitze und Öffnungen im Gehäuse und in der Rückwand oder im Boden sind wichtig und dienen der Belüftung. Um den zuverlässigen Betrieb des Geräts zu gewährleisten und es vor Überhitzung zu schützen, dürfen diese Öffnungen keinesfalls blockiert oder bedeckt werden.
 - Stellen Sie das Gerät nicht an Orten mit beengten Platzverhältnissen auf, wie z. B. in einem Bücherregal oder einem Einbauschränk. Dies ist nur dann zulässig, wenn für ausreichende Belüftung gesorgt wird.



Funktion

- Für dieses Gerät werden Batterien benötigt. Entsorgen Sie die Batterien ordnungsgemäß und in Übereinstimmung mit den für Sie geltenden Umweltschutzbestimmungen. Bitte wenden Sie sich bei Fragen zur ordnungsgemäßen Entsorgung an Ihre örtlichen Behörden.
- Lassen Sie das Gerät nicht fallen, und setzen Sie es keiner Schlag- oder Stoßeinwirkung aus. Wenn das Gerät beschädigt ist, trennen Sie es vom Stromnetz und wenden Sie sich an ein Samsung Kundendienstzentrum.
- Wenn Sie den Projektor ganz ausschalten müssen, warten Sie, bis das Gebläse vollständig zum Stillstand gekommen ist. Erst dann ist der Projektor vollständig abgekühlt.

Stromversorgung

- Überlasten Sie Steckdosen, Verlängerungskabel und Netzteile keinesfalls, da dies zu einem Brand oder Stromschlag führen kann.
- Netzkabel müssen so verlegt werden, dass niemand auf das Kabel treten kann oder es durch Gegenstände gequetscht wird, die auf dem Kabel stehen oder gegen das Kabel drücken. Insbesondere ist auf Stecker, Netzteile und die Kabeldurchführung am Gerätegehäuse zu achten.
- Trennen Sie das Gerät aus Sicherheitsgründen bei einem Gewitter oder bei längerer Nutzungspause vom Netz und von der Antenne bzw. vom Kabelsystem. Auf diese Weise werden Schäden durch Blitzschlag oder Spannungstöße vermieden.
- Ehe Sie das Netzkabel des Projektors anschließen, müssen Sie sicherstellen, dass die Betriebsspannung des Projektors mit der Spannung Ihrer örtlichen Stromversorgung übereinstimmt. Informationen zu Spannung und Stromstärke finden Sie im Abschnitt mit den technischen Daten des Handbuchs und/oder auf dem Etikett des Netzteils.
- Führen Sie niemals Metallgegenstände in die Öffnungen des Geräts ein. Dies kann einen elektrischen Schlag verursachen.
- Berühren Sie zur Vermeidung von Stromschlägen keinesfalls Bauteile im Inneren des Geräts. Das Gerät darf nur von einem qualifizierten Techniker geöffnet werden.

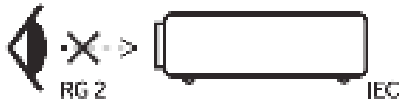
- Stellen Sie sicher, dass der Netzstecker fest in der Steckdose sitzt. Ziehen Sie das Netzkabel nie am Kabel selbst, sondern stets am Stecker aus der Steckdose. Ziehen Sie niemals am Kabel, um den Netzstecker aus der Steckdose zu ziehen. Berühren Sie das Netzkabel niemals mit feuchten Händen.
- Wenn das Gerät nicht einwandfrei funktioniert, insbesondere beim Auftreten ungewöhnlicher Geräusche oder Gerüche aus dem Inneren, trennen Sie es unverzüglich von der Stromversorgung und wenden Sie sich umgehend an Ihren nächstgelegenen Händler oder das nächste Samsung Kundendienstzentrum.
- Ziehen Sie unbedingt den Netzstecker aus der Steckdose, wenn der Projektor längere Zeit nicht verwendet werden soll oder wenn Sie längere Zeit außer Haus sind (insbesondere, wenn Kinder und ältere Personen allein im Haus bleiben).
 - Staubablagerungen können Stromschläge, Kurzschlüsse oder Brände verursachen, da sie zu Funkenbildung, übermäßiger Erwärmung und Beschädigung der Isolierung am Netzkabel führen können.
- Verwenden Sie nur ordnungsgemäß geerdete Stecker und Steckdosen.
 - Eine fehlerhafte Erdung kann zu Stromschlägen oder Schäden am Gerät führen. (Nur Geräte der Klasse I.)
- Um dieses Gerät vollständig abzuschalten, müssen Sie den Netzstecker aus der Steckdose ziehen. Um sicherzustellen, dass Sie das Gerät bei Bedarf schnell vom Netz trennen können, müssen die Steckdose und der Netzstecker jederzeit leicht zugänglich sein.

Reinigung

- Ziehen Sie zum Reinigen den Netzstecker aus der Steckdose, und wischen Sie das Gerät mit einem weichen, trockenen Tuch ab. Verwenden Sie keine Chemikalien wie Wachs, Benzol, Alkohol, Verdünner, Insektizide, Luftverbesserer, Schmiermittel oder Reinigungsmittel. Diese Chemikalien können die Oberfläche des Geräts beschädigen und aufgedruckte Kennzeichnungen lösen bzw. entfernen.
- Spritzen Sie weder Wasser noch Reinigungsmittel direkt auf das Gerät. Jede Flüssigkeit, die in den Bildschirm eindringt, kann zu einer Funktionsstörung, einem Brand oder einem Stromschlag führen.

Laser

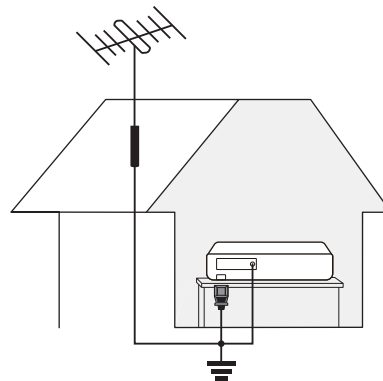
- Das aus dem Projektorobjektiv austretende Licht darf während im Betrieb nicht blockiert werden. Das Laserlicht erhitzt den Gegenstand und kann ihn schmelzen, Verbrennungen verursachen oder einen Brand auslösen.
- Schauen Sie nicht direkt in das aus der Linse des Projektors austretende Licht und projizieren Sie das Licht nicht in die Augen einer Person.



- **ACHTUNG: ÜBER DER KOPFHÖHE VON KINDERN MONTIEREN.** Zusätzliche Warnung vor Belastung der Augen bei einem kurzen Betrachtungsabstand von weniger als 1 m.
- Wie bei jeder hellen Lichtquelle, dürfen Sie nicht direkt in den Lichtstrahl schauen, (RG2 IEC 62471-5:2015).
- Dieser Projektor ist ein Laserprodukt der Klasse 1 gemäß IEC 60825-1:2014 und Risikogruppe 2 gemäß den Anforderungen von IEC 62471-5:2015.
- Zusätzliche Anweisungen zur Beaufsichtigung von Kindern: Sie dürfen nicht in den Lichtstrahl schauen und keine optischen Hilfsmittel verwenden
 - Es wird darauf hingewiesen, dass Kinder zu beaufsichtigen sind und ihnen niemals gestattet werden darf, in den Lichtstrahl des Projektors zu schauen, egal in welcher Entfernung vom Projektor.
 - Hinweis: Achten Sie aufmerksam darauf, dass Sie den Projektor nicht mit der Fernbedienung einschalten, während Sie sich der Projektionslinse befinden.
 - Hinweis für den Benutzer: Die Verwendung optischer Hilfsmittel wie Ferngläsern oder Teleskopen im Strahlengang ist zu unterlassen.
- Sie dürfen den Projektor weder öffnen noch auseinanderbauen, da dies zu Schäden aufgrund der Einwirkung von Laserstrahlung führen kann.

Antenne

- Damit kein Regenwasser hineinfließen kann, müssen Sie das Teil, an dem die Leitung der Außenantenne ins Gerät führt, nach unten biegen.
- Wenn Sie eine Außenantenne verwenden, installieren Sie sie in ausreichender Entfernung von Stromleitungen. So ist sichergestellt, dass sie keine nahegelegenen Kabel berührt, auch wenn sie aufgrund von starkem Wind herunterfällt.



Inhalt

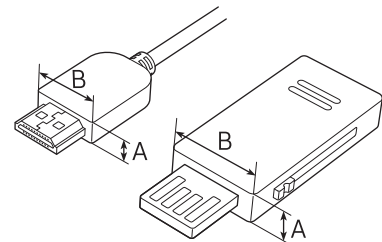
	Vor dem Lesen der Bedienungsanleitung	2
	Achtung! Wichtige Sicherheitshinweise	3
01	Lieferumfang	
02	Produktübersicht	
	Informationen zum Projektor	8
03	Die Samsung Smart Remote	
	Über die Buttons auf der Samsung Smart Remote	9
	Koppeln des Projektors mit der Samsung Smart Remote	10
	Einsetzen der Batterien in die Samsung Smart Remote	10
04	Aufstellen des Projektors	
	Bildgröße und Projektionsabstand	12
	Verwenden der Netztaste	13
	Montage des Projektors an einer Wand	14
05	Fehlerbehebung und Wartung	
	Fehlerbehebung	15
	Ändern des Kennworts für den Projektor	16
06	Technische Daten und weitere Informationen	
	Technische Daten	17
	Umgebungsbedingungen	17
	Verringern des Stromverbrauchs	18
	Lizenzen	18

01 Lieferumfang

Vergewissern Sie sich, dass die folgenden Teile im Lieferumfang des Geräts enthalten sind. Falls Komponenten fehlen sollten, setzen Sie sich bitte mit Ihrem Händler in Verbindung.

- Samsung Smart Remote & 2 Batterien (Typ AA)
- Benutzerhandbuch
- Garantiekarte/Rechtshinweise (nicht überall verfügbar)
- Netzkabel

- Farbe und Form der Teile können sich je nach Modell unterscheiden.
- Nicht mitgelieferte Kabel können gesondert erworben werden.
- Wenn Sie an den HDMI-Anschluss ein HDMI-Kabel oder ein USB-Flash-Laufwerk an den USB-Anschluss anschließen, verwenden Sie ein Gerät mit einer Breite von maximal 18 mm und einer Höhe von maximal 10 mm. Wenn das USB-Kabel oder das USB-Flash-Laufwerk nicht in die USB-Anschlüsse des Projektors passt, verwenden Sie ein Verlängerungskabel, das USB 2.0 unterstützt.
- Verwenden Sie ein zertifiziertes Kabel mit HDMI-Logo.
- Wenn Sie kein zertifiziertes HDMI-Kabel verwenden, kann möglicherweise kein Bild angezeigt werden oder es treten Verbindungsfehler auf. (Empfohlene HDMI-Kabel)
 - Ultra-High-Speed-HDMI-Kabel (3 m oder weniger)



$A \leq 10 \text{ mm} / B \leq 18 \text{ mm}$

Deutsch

Für Reparaturen an Ihrem Gerät fallen Gebühren an, wenn:

(a) auf Ihren Wunsch ein Techniker zu Ihnen geschickt wird, aber es wird festgestellt, dass kein Defekt des Geräts vorliegt (d. h. wenn das Benutzerhandbuch nicht gelesen wurde).

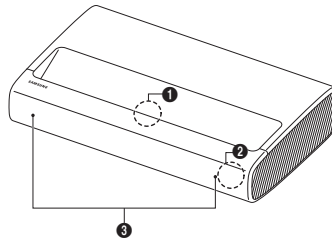
(b) Sie das Gerät in das Samsung Kundendienstzentrum bringen, aber es wird festgestellt, dass kein Defekt des Geräts vorliegt (d. h. wenn das Benutzerhandbuch nicht gelesen wurde).

Die Höhe eventuell anfallender Gebühren wird Ihnen vor dem Besuch eines Technikers mitgeteilt.

02 Produktübersicht

Informationen zum Projektor

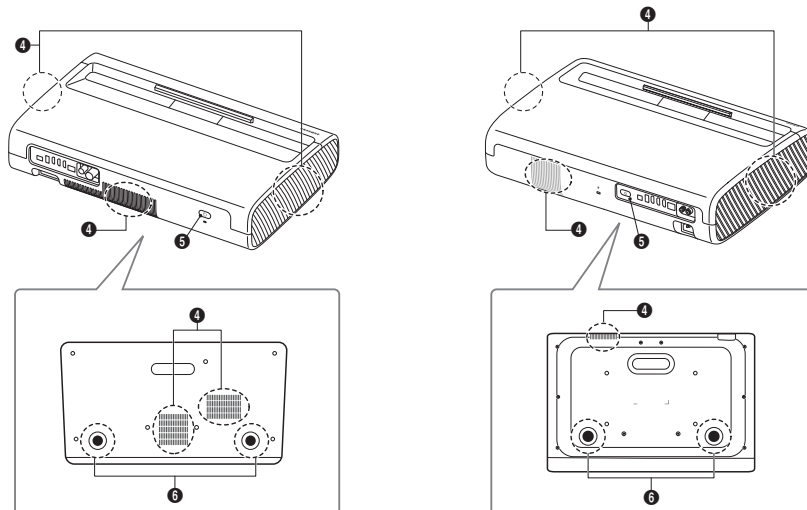
<Vorderseite>



SP-LSP7TFA

SP-LSP9TFA

<Rückseite>



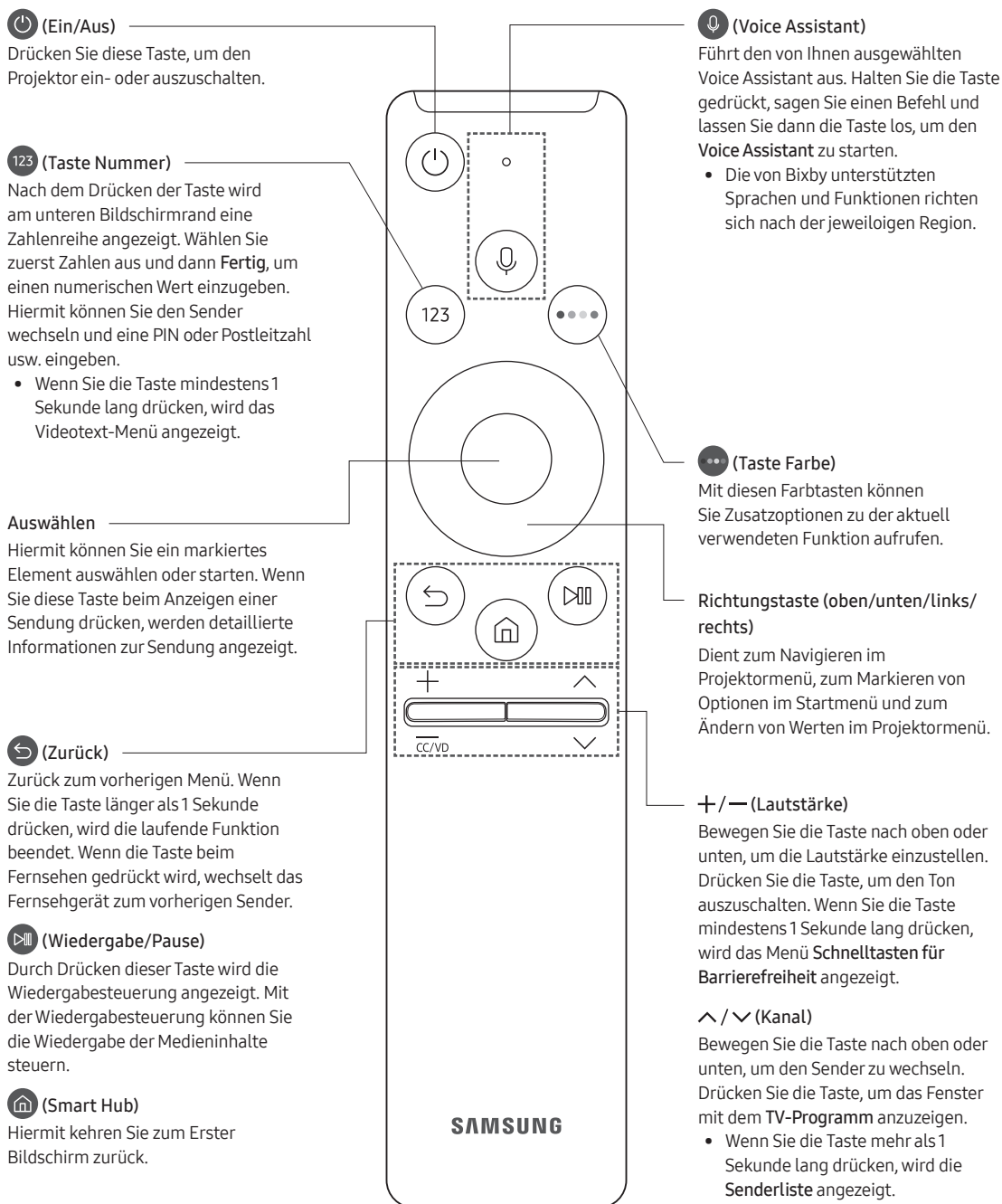
- | | | | | | |
|---|----------|---|-------------------------------------|---|---------------|
| ❶ | Objektiv | ❷ | Fernbedienungssensor / LED-Anzeigen | ❸ | Lautsprecher |
| ❹ | Lüftung | ❺ | Netztaste | ❻ | Höhenstellfuß |

- Form und Farbe des Bildschirms können je nach Modell unterschiedlich sein.
- Blockieren Sie nicht die Lüftungsschlitze des Projektors
- Wenn Sie den Projektor in einem geschlossenen Raum einsetzen, lassen Sie im Bereich der Lüftungsschlitze mindestens 50 cm Freiraum.

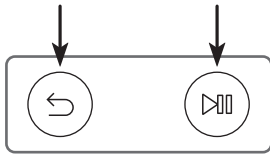
03 Die Samsung Smart Remote



Über die Buttons auf der Samsung Smart Remote

- Das Aussehen, die Tasten und die Funktionen der Samsung Smart Remote können sich je nach Modell unterscheiden.
- Die Funktion als Universalfernbedienung (Universalfernbedienung - Einrichten) steht nur dann normal zur Verfügung, wenn Sie die mit Ihrem Projektor gelieferte Samsung Smart Remote verwenden.

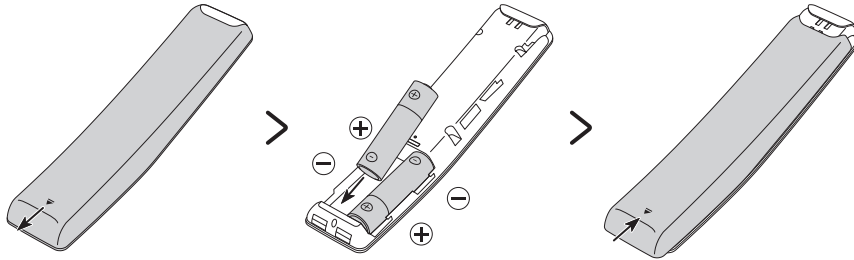


Koppeln des Projektors mit der Samsung Smart Remote



Wenn Sie den Projektor zum ersten Mal einschalten, wird die Samsung Smart Remote automatisch mit dem Projektor gekoppelt. Wenn die Samsung Smart Remote nicht automatisch mit dem Projektor gekoppelt wird, zeigen Sie auf den Fernbedienungssensor des Projektors, und halten Sie dann die Tasten mit der Beschriftung  und  (siehe Abbildung links) gleichzeitig mindestens 3 Sekunden lang gedrückt.

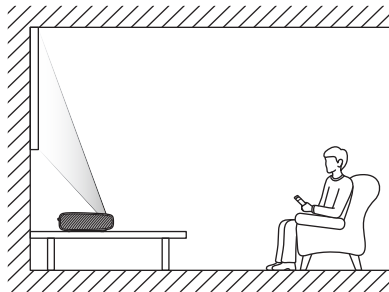
Einsetzen der Batterien in die Samsung Smart Remote



Um die Batterien einzulegen, drücken Sie die rückseitige Abdeckung in Pfeilrichtung. Setzen Sie dann die Batterien wie in der Abbildung gezeigt ein. Achten Sie darauf, dass Plus- und Minuspol der Batterien in die richtige Richtung zeigen. Schließen Sie die rückseitige Abdeckung in der dargestellten Weise.

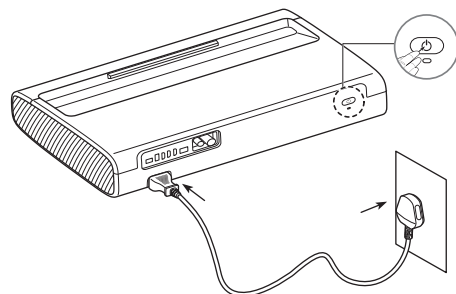
- Auf Grund der längeren Lebensdauer werden Alkali-Batterien empfohlen.

04 Aufstellen des Projektors

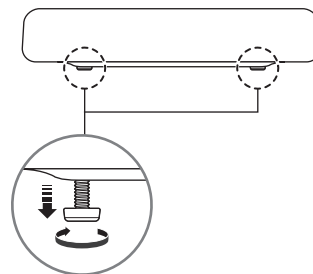
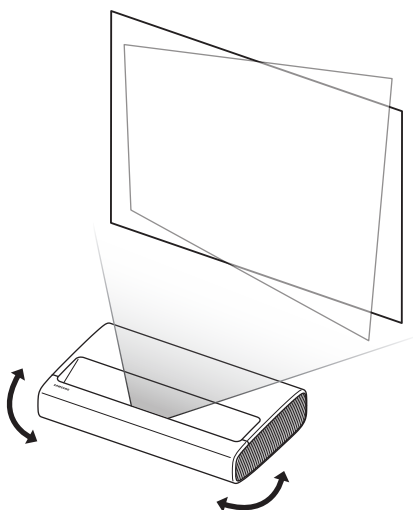


Stellen Sie den Projektor waagrecht auf einer ebenen Fläche auf, damit er nicht kippen kann. Die Anzeige ist möglicherweise verzerrt, wenn die Leinwand und der Projektor horizontal und vertikal nicht richtig ausgerichtet sind oder wenn die Leinwand gekrümmt ist.

1. Stellen Sie den Projektor in einem angemessenen Abstand von der Leinwand auf, schließen Sie sein Netzkabel an und schalten Sie ihn dann ein.
 - Wenn Sie den Projektor zum ersten Mal einschalten, wird sofort die Ersteinrichtung gestartet. Befolgen Sie die Anweisungen auf dem Bildschirm und konfigurieren Sie die Grundeinstellungen des Projektors so, dass er an die bei Ihnen herrschenden Lichtverhältnisse angepasst ist.
 - Sie können den Projektor mit der Netztaaste auf der Rückwand des Projektors einschalten und dann das **Steuerungsmenü** verwenden. Das **Steuerungsmenü** wird angezeigt, wenn Sie die Netztaaste bei laufendem Projektor drücken.
 - Wenn das Bild schief oder verschwommen aussieht, passen Sie die Anzeigeeinstellungen an. Befolgen Sie dazu die nächste Anweisung.
2. Verändern Sie den Projektionswinkel so, damit das angezeigte Bild rechteckig aussieht. Hierzu drehen Sie den den Projektor nach links oder rechts und passen den Höhenstellfuß an.

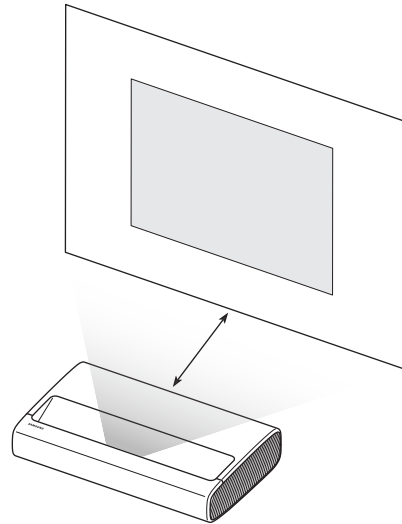


- Form und Farbe des Bildschirms können je nach Modell unterschiedlich sein.



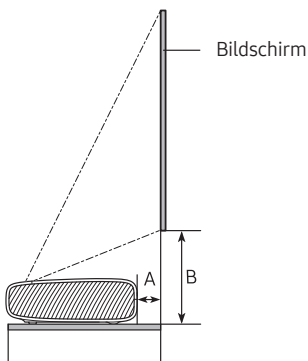
3. Verschieben Sie den Projektor vorwärts oder rückwärts, um den Projektionsabstand an die gewünschte Größe der Projektionsfläche anzupassen.

- Wenn das Bild auf der Projektionsfläche unklar ist, stellen Sie es in **Einstellungen > Allgemein > Projector-Einstellungen > Fokus** ein.
- Wenn das Bild auf der Projektionsfläche nicht rechteckig ist, stellen Sie **Projector-Einstellungen > Bildschirmanpassung** ein.
In diesem Fall kann sich die Bildauflösung verringern.
- Informationen über die Bildgrößen bei verschiedenen Projektionsabständen finden Sie in der folgenden Tabelle.



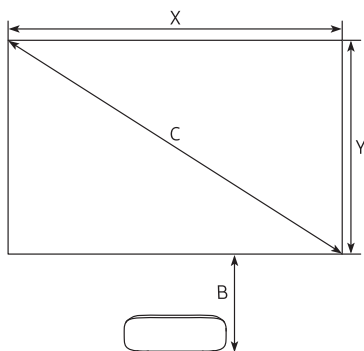
Bildgröße und Projektionsabstand

- Die Bildgröße bei den verschiedenen Projektionsabständen kann sich je nach Installationsumgebung unterscheiden.



SP-LSP7TFA

C (Zoll)	X (mm)	Y (mm)	A (mm)	B (mm)
90	1992	1121	247	349
95	2103	1183	275	364
100	2214	1245	303	379
105	2324	1308	331	394
110	2435	1370	359	409
115	2546	1432	387	424
120	2657	1494	415	439



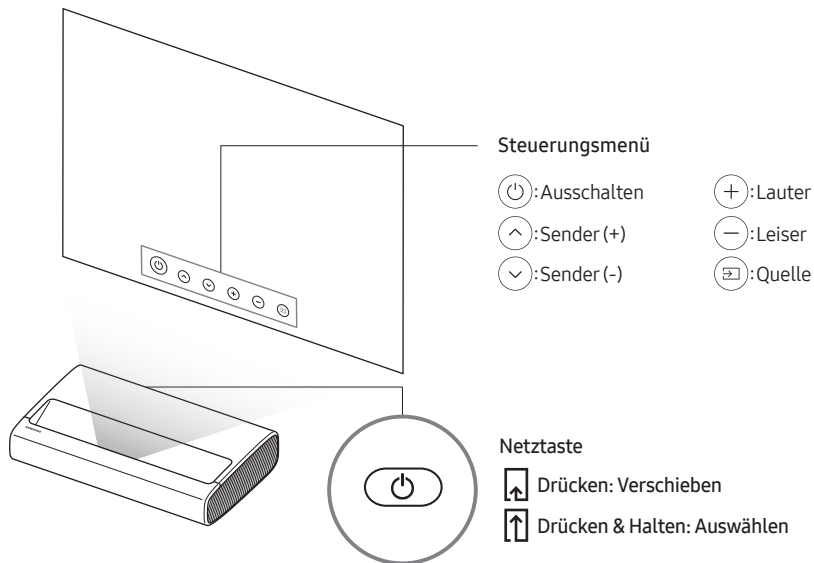
SP-LSP9TFA

C (Zoll)	X (mm)	Y (mm)	A (mm)	B (mm)
100	2214	1245	113	351
105	2324	1308	134	363
110	2435	1370	154	376
115	2546	1432	175	388
120	2657	1494	196	401
125	2767	1557	217	413
130	2878	1619	238	426

Verwenden der Netztaste

Sie können den Projektor mit der Netztaste auf der Rückwand des Projektors einschalten und dann das **Steuerungsmenü** verwenden. Das **Steuerungsmenü** wird angezeigt, wenn Sie die Netztaste bei laufendem Projektor drücken. Weitere Informationen über die Verwendung erhalten Sie in der nachfolgenden Abbildung.

- Achten Sie darauf, dass das projizierte Bild beim Betätigen der seitlichen Tasten am Projektor nicht verdeckt wird.
- Achten Sie darauf, nicht in den Lichtstrahl des Projektors zu schauen.

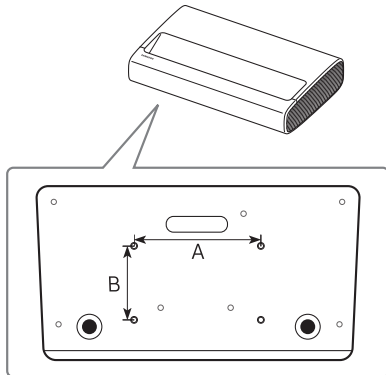


- Form und Farbe des Bildschirms können je nach Modell unterschiedlich sein.

Montage des Projektors an einer Wand



Wenn Sie den Projektor an einer Wand anbringen möchten, sollten Sie sich auf jeden Fall an einen kompetenten Dienstleister wenden. Anderenfalls könnte der Projektor herunterfallen und so Verletzungen oder Beschädigungen des Geräts verursachen.



Bei der Installation der Wandhalterung empfehlen wir, alle vier Schrauben festzuziehen.

Daten der Schraubenbohrung (A * B) in mm	Schraubtiefe (mm)	Standardschraube	Menge
235 x 135	7-9	M6	4

- Form und Farbe des Bildschirms können je nach Modell unterschiedlich sein.



Befestigen Sie die Wandhalterung nicht, während der Projektor eingeschaltet ist. Sie könnten dabei einen Stromschlag erhalten und sich verletzen.

- Verwenden Sie keine Schrauben, die länger sind als in der Standardspezifikation für Schrauben angegeben. Zu lange Schrauben können Schäden an den inneren Bauteilen des Projektors verursachen.
- Bei Wandhalterungen, die nicht der Standardspezifikation für Schrauben entsprechen, hängt die Länge der Schrauben von den Spezifikationen der Wandhalterung ab.
- Ziehen Sie die Schrauben nicht zu fest an. Dadurch kann das Gerät beschädigt werden oder herunterfallen und so Verletzungen verursachen. Samsung haftet nicht bei derartigen Unfällen.
- Samsung haftet nicht für Geräteschäden oder Verletzungen, wenn eine Wandhalterung verwendet wird, die nicht spezifiziert ist, oder wenn der Verbraucher die Montageanleitung für das Produkt nicht befolgt.
- Nehmen Sie die Wandmontage des Projektors nur zu zweit vor.

05 Fehlerbehebung und Wartung

Fehlerbehebung

Wenn der Projektor scheinbar ein Problem aufweist, schlagen Sie zunächst in dieser Liste der möglichen Probleme und Lösungen nach. Schlagen Sie alternativ im e-Manual unter „Fehlerbehebung“ nach. Wenn keiner der Tipps zur Fehlerbehebung weiterhilft, besuchen Sie die Website „www.samsung.com“, und klicken Sie dort auf „Support“ oder wenden Sie sich an das auf der letzten Seite dieser Bedienungsanleitung angegebene Samsung Kundendienstzentrum.

- Aktualisieren Sie die Firmware auf die neueste Version, um die optimale Leistung Ihres Projektors zu erhalten. Verwenden Sie die Funktionen **Jetzt aktualisieren** oder **Automatisches Update** im Menü des Projektors (🏠 > ⚙️ **Einstellungen** > **Unterstützung** > **Software-Update** > **Jetzt aktualisieren** oder **Automatisches Update**).

Der Projektor kann nicht eingeschaltet werden.

- Vergewissern Sie sich, dass das Netzkabel sicher mit der Wandsteckdose und dem Projektor verbunden ist.
- Stellen Sie sicher, dass die Steckdose funktioniert und der Fernbedienungssensor links oben am Projektor durchgehend rot leuchtet.
- Um auszuschließen, dass ein Problem mit der Fernbedienung vorliegt, drücken Sie auf die **Netztaste** auf der Rückwand des Projektors. Wenn der Projektor eingeschaltet werden kann, lesen Sie den Abschnitt „Die Fernbedienung funktioniert nicht“.

Bild/Video/Ton eines externen Geräts werden gar nicht oder nur verzerrt ausgegeben, auf dem Projektor wird „Kein Signal oder schlechtes Signal“ angezeigt oder es werden keine Sender gefunden.




- Stellen Sie sicher, dass der Anschluss an das Gerät richtig durchgeführt wurde und dass alle Kabel vollständig eingesteckt sind.
- Unterbrechen Sie kurzzeitig alle Kabelverbindungen zwischen dem Projektor und den externen Geräten. Probieren Sie es wenn möglich mit neuen Kabeln.
- Bestätigen Sie, dass die richtige Eingangsquelle ausgewählt wurde (🏠 > 📺 **Quelle**).
- Führen Sie eine Selbstdiagnose des Projektors durch, um zu bestimmen, ob das Problem vom Projektor oder vom Gerät verursacht wird (🏠 > ⚙️ **Einstellungen** > **Unterstützung** > **Gerätepflege** > **Eigendiagnose** > **Bildtest** oder **Audiotest**).
- Wenn die Testergebnisse normal sind, starten Sie die angeschlossenen Geräte neu. Trennen Sie dazu kurzzeitig die Netzkabel der einzelnen Geräte von der Steckdose. Wenn das Problem weiterhin besteht, lesen Sie in der Bedienungsanleitung des angeschlossenen Geräts die Informationen zum Anschließen des Geräts.
- Wenn Sie keinen Kabel- oder Satellitenreceiver verwenden und Ihr Projektor TV-Signale von einer Antenne oder einem Kabelanschluss empfängt, starten Sie **Automatischer Sendersuchlauf**, um nach Sendern zu suchen (🏠 > ⚙️ **Einstellungen** > **Senderempfang** > (**Automatischer Sendersuchlauf**) > **Automatischer Sendersuchlauf**).
 - Die **Automatischer Sendersuchlauf** werden, je nach Modell bzw. Region, möglicherweise nicht angezeigt.
 - Wenn Sie einen Kabel- oder Satellitenreceiver verwenden, schlagen Sie bitte im Handbuch des Kabel- oder Satellitenreceivers nach.

Die Fernbedienung funktioniert nicht.

- Kontrollieren Sie, ob die Netzanzeige oben links am Projektor blinkt, wenn Sie auf die Einschalttaste der Fernbedienung drücken. Wenn dies nicht der Fall ist, ersetzen Sie die Batterien der Fernbedienung.
- Achten Sie beim Einsetzen der Batterien auf die richtige Polung (+/-).
- Richten Sie die Fernbedienung aus einer Entfernung von 1,5 - 1,8 m direkt auf den Projektor.
- Wenn Ihr Projektor mit einer Samsung Smart Remote (Bluetooth-Fernbedienung) geliefert wurde, müssen Sie die Fernbedienung mit dem Projektor koppeln.

Ändern des Kennworts für den Projektor

 >  Einstellungen > Allgemein > Systemmanager > PIN ändern

1. Führen Sie die Funktion **PIN ändern** aus, und geben Sie dann im Kennwortfeld das aktuelle Kennwort ein. Das Standardkennwort lautet „0000“ (Frankreich: „1111“).
 2. Geben Sie ein neues Kennwort ein und bestätigen Sie es durch eine erneute Eingabe. Das Kennwort wurde geändert.
- Wenn Sie Ihren PIN-Code vergessen haben, drücken Sie die Tasten auf der Fernbedienung in der angegebenen Reihenfolge, um die PIN auf „0000“ zurückzusetzen: „1111“):
Auf der Samsung Smart Remote Fernbedienung: Wählen Sie die Taste **+/-** (Lautstärke). > **Lauter** >  > **Leiser** >  > **Lauter** > .

06 Technische Daten und weitere Informationen

Technische Daten

Modell	SP-LSP7TFA	SP-LSP9TFA
Anzeigauflösung	3840 x 2160	
Objektiv	Feststehende Linse	
Bildgröße (Diagonal)	90" ~ 120"	100" ~ 130"
Ton (Ausgang)	30 W	40 W
Abmessungen (B x H x T)		
Gehäuse	532,0 x 119,1 x 342,0 mm	550,0 x 128,0 x 367,0 mm
Mit Füßen	532,0 x 132,7 x 342,0 mm	550,0 x 141,0 x 367,0 mm
Gewicht (mit Füßen)	9,1 kg	11,5 kg

Deutsch

Umgebungsbedingungen

Temperatur (im Betrieb)	10 °C bis 40 °C (50 °F bis 104 °F)
Luftfeuchtigkeit (im Betrieb)	10 % bis 80 %, nicht kondensierend
Temperatur (bei Lagerung)	-20 °C bis 45 °C (-4 °F bis 113 °F)
Luftfeuchtigkeit (bei Lagerung)	5 % bis 95 %, nicht kondensierend

Hinweise

- Änderung der technischen Daten und des Gerätedesigns vorbehalten.
- Dies ist ein digitales Gerät der Klasse B.
- Die technischen Daten zur benötigten Netzspannung und Informationen zum Energieverbrauch finden Sie auf dem Etikett am Gerät.
 - Die Aufkleber mit der Angabe der Verbrauchsklassen und den Warnhinweisen für Lasergeräte sind auf der Unterseite des Projektors angebracht.
- Der typische Stromverbrauch wird gemäß IEC 62087 gemessen.
- Die Abbildungen sind nicht notwendigerweise maßstabsgetreu. Änderungen der Maße vorbehalten. Berücksichtigen Sie die Abmessungen Ihres Projektors bereits vor der Installation. Nicht verantwortlich für Rechtschreib- oder Druckfehler.
- Verwenden Sie für den Anschluss an das LAN ein CAT7-Kabel (*STP-Kabel). (100/10 Mbit/s)
 - * Shielded Twisted Pair
- Die Abbildungen und Illustrationen in diesem Handbuch dienen nur zur Information und können vom tatsächlichen Aussehen des Geräts abweichen. Änderungen an Ausführung und technischen Daten vorbehalten.

Bei jeder Reparatur sind zwingend die von Samsung bereitgestellten Reparatur- und Wartungsanweisungen zu beachten. Samsung übernimmt keinerlei Haftung für den Fall, dass infolge einer nicht entsprechend fachgerechten Reparatur oder eines nicht fachgerechten Reparaturversuchs Schäden jeglicher Art am Produkt, wie auch mögliche Verletzungen oder Produktsicherheitsmängel auftreten. Nicht fachgerecht ist eine Reparatur insbesondere, wenn die von Samsung bereitgestellten Reparatur- und Wartungsanweisungen nicht eingehalten wurden. Jegliche Schäden am Produkt, die auf einer Reparatur oder eines Reparaturversuchs durch Dritte, die nicht von Samsung als Service-Dienstleister zertifiziert sind, zurückzuführen sind, sind von der Herstellergarantie ausgeschlossen.

Auf der Webseite <https://www.samsung.com/de/support/> findest du weitere Informationen zum externen Netzadapter und zur Fernbedienung im Hinblick auf die europäische Ökodesign-Richtlinie (ErP).

Verringern des Stromverbrauchs

Wenn Sie den Projektor ausschalten, wechselt er in den Standby-Modus. Im Standby-Modus verbraucht es weiterhin eine gewisse Menge an Strom. Wenn Sie den Projektor längere Zeit nicht verwenden, sollten Sie daher den Netzstecker aus der Steckdose ziehen, um den Stromverbrauch zu senken.

Lizenzen



The terms HDMI and HDMI High-Definition Multimedia Interface, and the HDMI Logo are trademarks or registered trademarks of HDMI Licensing LLC in the United States and other countries.

Hiermit erklärt Samsung, dass dieses Gerät mit der Richtlinie 2014/53/EU und den entsprechenden gesetzlichen Bestimmungen des Vereinigten Königreichs konform ist.

Den vollständigen Text der Konformitätserklärung können Sie unter folgender Internetadresse abrufen: <http://www.samsung.com>, wechseln Sie zu „Support“ und geben Sie die Modellbezeichnung ein.

Dieses Gerät darf in allen Ländern der EU und im Vereinigten Königreich verwendet werden.

Die 5 GHz WLAN(Wi-Fi)-Funktion dieses Gerätes darf nur im Innenbereich genutzt werden.

BT maximale Sendeleistung: 100 mW bei 2,4 GHz - 2,4835 GHz

Wi-Fi maximale Sendeleistung: 100mW bei 2,4GHz-2,4835GHz, 200mW bei 5,15GHz-5,25GHz, 100mW 5,25GHz-5,35GHz & 5,47GHz - 5,725GHz



Ordnungsgemäße Entsorgung dieses Geräts (Elektro- & Elektronik-Altgeräte)
(Anwendbar in Ländern mit Systemen zur getrennten Sammlung von Wertstoffen).

Diese Kennzeichnung auf dem Bildschirm, dem Zubehör oder der Dokumentation bedeutet, dass der Bildschirm sowie das elektronische Zubehör (z. B. Ladegerät, Headset, USB-Kabel) am Ende ihrer Lebensdauer nicht im normalen Hausmüll entsorgt werden dürfen. Entsorgen Sie diese Geräte bitte getrennt von anderen Abfällen, um der Umwelt bzw. der menschlichen Gesundheit nicht durch unkontrollierte Müllbeseitigung zu schaden. Recyceln Sie den Bildschirm, um die nachhaltige Wiederverwertung von stofflichen Ressourcen zu fördern.

Private Nutzer sollten den Händler, bei dem das Produkt gekauft wurde, oder die zuständigen Behörden kontaktieren, um in Erfahrung zu bringen, wie sie den Bildschirm auf umweltfreundliche Weise recyceln können.

Gewerbliche Benutzer wenden sich an ihren Lieferanten und überprüfen die Konditionen Ihres Kaufvertrags. Der Bildschirm und seine elektronischen Zubehörteile dürfen nicht zusammen mit anderem Gewerbemüll entsorgt werden.



Ordnungsgemäße Entsorgung der Batterien in diesem Gerät

(Anwendbar in Ländern mit Systemen zur getrennten Sammlung von Wertstoffen).


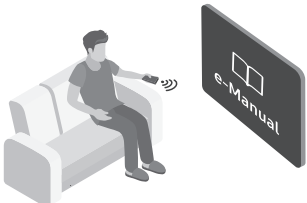

Diese Kennzeichnung auf der Batterie, dem Handbuch oder der Verpackung bedeutet, dass die Batterien am Ende ihrer Lebensdauer nicht im normalen Hausmüll entsorgt werden dürfen. Die Kennzeichnung mit den chemischen Symbolen „Hg“, „Cd“ oder „Pb“ bedeutet, dass die Batterie Quecksilber, Cadmium oder Blei in Mengen enthält, die die Grenzwerte der EU-Direktive 2006/66 übersteigen. Wenn Batterien nicht ordnungsgemäß entsorgt werden, können diese Substanzen die Gesundheit von Menschen oder die Umwelt gefährden.

Zum Schutz der natürlichen Ressourcen und zur Förderung der Wiederverwertung von Materialien trennen Sie die Batterien von anderem Müll und führen Sie sie Ihrem örtlichen Recyclingsystem zu.

Voordat u deze handleiding leest

Deze projector wordt geleverd met deze handleiding en een ingebouwde e-Manual.




Voordat u deze handleiding leest, dient u de volgende informatie door te nemen:

	Handleiding	Lees deze meegeleverde gebruikershandleiding voor informatie over productveiligheid, installatie, accessoires, eerste configuratie en productspecificaties.
	e-Manual	Lees voor meer informatie over deze projector de e-Manual die in het product is ingebouwd. <ul style="list-style-type: none">• Om het e-Manual te openen  >  Instellingen > Ondersteuning > e-Manual openen



U kunt op de website (www.samsung.com) de gebruikershandleidingen downloaden en de inhoud ervan weergeven op uw pc of mobiele apparaat.

De hulpfuncties van het e-Manual

- Bepaalde menuschermen kunnen niet worden geopend vanuit het e-Manual.

	Zoeken	Kies een item in de lijst met resultaten om de bijbehorende pagina weer te geven.
A-Z	Index	Selecteer een trefwoord om naar de relevante pagina te gaan. <ul style="list-style-type: none">– Welke menu's worden weergegeven, is afhankelijk van de regio.
	Sitemap	Hier wordt een lijst weergegeven voor elk onderdeel in de e-Manual.
	Recent bekeken	Selecteer een onderwerp in de lijst met onlangs bekeken onderwerpen.

De functies van de knoppen op de onderwerppagina's van het e-Manual

	Probeer nu	Hiermee krijgt u toegang tot het bijbehorende menu en kunt u de functie direct uitproberen.
	Koppelen	Hiermee kunt u een onderstreept onderwerp dat op een pagina in het e-Manual wordt genoemd, onmiddellijk openen.

Waarschuwing! Belangrijke veiligheidsvoorschriften

Lees de veiligheidsinstructies door voordat u de projector gebruikt.

Raadpleeg de onderstaande tabel voor uitleg van symbolen die mogelijk op uw Samsung-product te vinden zijn.

LET OP	
RISICO OP ELEKTRISCHE SCHOK. NIET OPENEN.	
LET OP: VERWIJDER DE BEHUIZING (OF ACHTERZIJDE) NIET, DIT OM ELEKTRISCHE SCHOKKEN TE VOORKOMEN. DIT APPARAAT BEVAT GEEN ONDERDELEN DIE DE GEBRUIKER ZELF KAN REPAREREN. LAAT ONDERHOUD UITVOEREN DOOR BEVOEGD PERSONEEL	
	Dit symbool geeft aan dat de spanning binnen in het apparaat hoog is. Elk contact met onderdelen binnen in het product is gevaarlijk.
	Dit symbool geeft aan dat er belangrijke informatie over het gebruik en onderhoud is meegeleverd met dit product.
	Wisselspanning: dit symbool geeft aan dat de nominale spanning wisselspanning is.
	Gelijkspanning: dit symbool geeft aan dat de nominale spanning gelijkspanning is.
	Voorzichtig. Raadpleeg de instructies voor gebruik: Dit symbool geeft aan dat de gebruiker de handleiding moet raadplegen voor meer informatie over de veiligheid.

Installatie

- De sleuven en openingen in de behuizing en aan de achterzijde of onderzijde zijn aangebracht voor de noodzakelijke ventilatie. Om een betrouwbare werking van dit apparaat te verzekeren en het tegen oververhitting te beschermen, mogen deze sleuven en openingen nooit worden geblokkeerd of afgedekt.
 - Plaats het apparaat niet in een kleine ruimte, zoals een boekenkast of inbouwkast, tenzij er voldoende ventilatie aanwezig is.

- Plaats het apparaat niet dicht bij of boven op een radiator of verwarmingsrooster, of op een plek waar het aan zonlicht blootstaat.
- Plaats geen vloeistofhoudende objecten (vazen e.d.) op het apparaat, aangezien dit risico oplevert op brand of elektrische schokken.
- Stel dit apparaat niet bloot aan regen of vocht.
- Neem contact op met een erkend servicecentrum als u de projector installeert in een omgeving met veel stof, hoge of lage temperaturen of een hoge vochtigheidsgraad, op een plaats waar gewerkt wordt met chemische oplossingen of waar het apparaat 24 uur per dag in werking is, zoals een luchthaven of treinstation. Als u dit niet doet, kan er ernstige schade aan de projector ontstaan.
- Stel dit apparaat niet bloot aan water of andere vloeistoffen.
- Werp de batterijen niet in het vuur.
- Batterijen (intern of extern) mogen niet worden blootgesteld aan overmatige warmte, zoals zonnestralen, vuur en dergelijke.
- **LET OP:** Er bestaat explosiegevaar als u de gebruikte batterijen uit de afstandsbediening vervangt door het verkeerde type batterij. Vervang batterijen alleen door andere van hetzelfde type.
- **WAARSCHUWING - HOUD KAARSEN EN ANDERE ZAKEN MET OPEN VUUR TE ALLEN TIJDE UIT DE BUURT VAN DIT APPARAAT, OM BRAND TE VOORKOMEN.**
- Wees voorzichtig als u de projector aanraakt als deze al een tijd lang is ingeschakeld. Sommige delen kunnen warm aanvoelen.



Bediening

- Dit apparaat maakt gebruik van batterijen. In uw woonplaats zijn wellicht milieuvoorschriften van kracht die vereisen dat u deze batterijen op gepaste wijze afvoert. Neem contact op met de plaatselijke overheidsinstantie voor informatie over wegwerpen of recycling.
- Laat het product niet vallen en stoot er niet tegenaan. Als het apparaat is beschadigd, moet u het apparaat uitschakelen, de stekker uit het stopcontact halen en contact opnemen met een Samsung Servicecenter.
- Als u de projector volledig moet uitschakelen, wacht dan totdat de ventilator volledig is gestopt. De projector moet voor uitschakelen helemaal afkoelen.

Apparaat

- Voorkom overbelasting van stopcontacten, verlengsnoeren en adapters om de kans op brand of elektrische schokken zoveel mogelijk uit te sluiten.
- Elektriciteits snoeren dienen zodanig te worden gelegd dat er niet op wordt getrapt en dat ze niet worden afgeknepen doordat er voorwerpen op of tegenaan worden geplaatst. Let met name op de stekker, het stopcontact en het punt waar de snoeren het apparaat verlaten.
- Bij onweer of wanneer u het apparaat langere tijd niet gebruikt, haalt u de stekker uit het stopcontact en verwijdert u de antenne of de kabel. Dit voorkomt schade aan het apparaat als gevolg van bliksem en stroompieken.
- Controleer of het operationeel voltage van de projector overeenkomt met het voltage van het lokale stroomnet voordat u de voedingskabel van de projector aansluit. Raadpleeg het gedeelte over stroomspecificaties in de handleiding en/of het stroomvoorzieningsetiket op het product voor meer informatie over voltage en stroomsterkte.
- Steek nooit metalen voorwerpen in de openingen van het apparaat. Er kunnen elektrische schokken ontstaan.
- Raak nooit de binnenkant van het apparaat aan. Dit om het risico op een elektrische schok te voorkomen. Dit apparaat mag alleen door gekwalificeerde technici worden geopend.

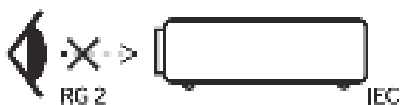
- Zorg dat de stekker correct en stevig is aangesloten. Wanneer u de stekker uit het stopcontact trekt, houd dan altijd de stekker zelf vast en niet het snoer. Trek nooit aan het netsnoer. Raak het netsnoer niet aan met natte handen.
- Als dit apparaat niet naar behoren werkt en met name als het ongebruikelijke geluiden of geuren afgeeft, haalt u onmiddellijk de stekker uit het stopcontact en neemt u contact op met een erkende dealer of erkend Samsung-servicecentrum.
- Haal altijd de stekker uit het stopcontact als de projector langere tijd ongebruikt blijft of als u voor langere tijd van huis gaat (met name als er kinderen, bejaarden of gehandicapten alleen in huis achterblijven).
 - Ophoping van stof kan resulteren in een elektrische schok, weglekkend stroom of brand doordat het netsnoer vonken afgeeft en verhit raakt of het isolatiemateriaal beschadigd raakt.
- Gebruik uitsluitend een goed gearde stekker en stopcontact.
 - Verkeerde aarding kan een elektrische schok of schade aan het apparaat veroorzaken. (Alleen apparatuur van klasse 1.)
- Haal de stekker uit het stopcontact als u het apparaat helemaal wilt uitschakelen. Zorg ervoor dat u eenvoudig bij het stopcontact en de stekker kunt. Zo bent u er zeker van dat u het apparaat indien noodzakelijk direct kunt uitschakelen.

Reinigen

- Reinig dit apparaat door het netsnoer uit het stopcontact te halen en veeg het product schoon met een zachte, droge doek. Gebruik geen chemische middelen zoals was, benzeen, alcohol, verdunningsmiddelen, insectenwerende middelen, luchtverfrissers, smeermiddelen of reinigingsmiddelen. Dergelijke chemische stoffen kunnen lelijke plekken veroorzaken op de projector of ervoor zorgen dat de opdruk erop wordt verwijderd.
- Spuit geen water of een andere vloeistof rechtstreeks op de projector. Vloeistoffen die in het product terechtkomen kunnen een storing, brand of elektrische schok veroorzaken.

Laser

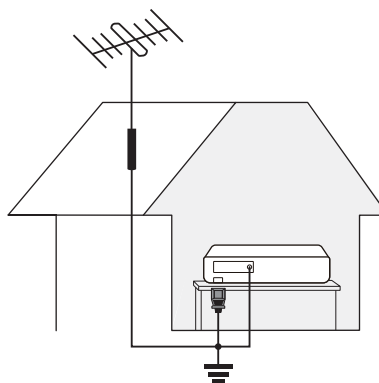
- Blokkeer het licht dat tijdens bediening uit de projectorlens komt niet. Het licht verwarmt het blokkerende object, waardoor dit kan smelten, en brandwonden of brand veroorzaken.
- Kijk niet direct in het licht van de projectorlens en projecteer het licht niet direct in de ogen van een ander.



- **WAARSCHUWING: MONTEER BOVEN DE HOOFDEN VAN KINDEREN** Extra waarschuwing voor blootstelling aan het oog op minder dan 1 m.
- Zoals met elke heldere bron mag u niet direct in de straal kijken, RG2 IEC 62471-5:2015.
- Deze projector is een klasse 1 laserproduct van IEC 60825-1:2014 en risicogroep 2 met de vereisten van IEC 62471-5:2015
- Extra instructies voor supervisie van kinderen, niet staren en het niet gebruiken van optische hulpmiddelen
 - Kennisgeving wordt gegeven dat kinderen onder toezicht moeten staan en dat het ze verboden moet worden in de projectorstraal te kijken, van welke afstand dan ook.
 - Kennisgeving wordt gegeven dat u de afstandsbediening voorzichtig moet gebruiken bij het starten van de projector, als u voor de projectorlens staat.
 - Kennisgeving wordt gegeven aan de gebruiker om geen optische hulpmiddelen, zoals een verrekijker of telescoop, te gebruiken in de straal.
- Open of demonteer de projector niet. Hierdoor kan schade ontstaan door blootstelling aan laserstraling.

Antenne

- Buig de buitenantenne naar beneden op de plek waar deze binnenkomt zodat er geen regenwater in stroomt.
- Als u een buitenantenne gebruikt, installeert u deze op afstand van elektrische bekabeling. Zorg ervoor dat de antenne geen kabels kan aanraken, zelfs niet als deze valt door stevige wind.



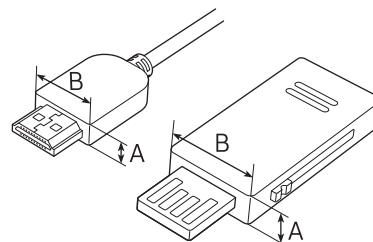
Inhoud

	Voordat u deze handleiding leest	2
	Waarschuwing! Belangrijke veiligheidsvoorschriften	3
01	Inhoud van de verpakking	
02	Productoverzicht	
	Over de projector	8
03	De Samsung Smart-afstandsbediening	
	Meer informatie over de toetsen op de Samsung Smart-afstandsbediening.	9
	De projector koppelen met de Samsung Smart-afstandsbediening	10
	Batterijen in de Samsung Smart-afstandsbediening plaatsen	10
04	De projector installeren	
	Afbeeldingsgrootte en projectieafstand	12
	De Aan/uit-knop gebruiken	13
	De projector aan de wand monteren	14
05	Problemen oplossen en onderhoud	
	Problemen oplossen	15
	Het wachtwoord van de projector wijzigen.	16
06	Technische gegevens en overige informatie	
	Specificaties	17
	Omgevingsvereisten	17
	Het verlagen van het energieverbruik	18
	Licenties	18

01 Inhoud van de verpakking

Controleer of de volgende onderdelen bij uw projector zijn meegeleverd. Neem contact op met uw verkoper als er onderdelen ontbreken.

- Samsung Smart-afstandsbediening en batterijen (AA x 2)
 - Handleiding
 - Garantiekaart/handleiding inzake voorschriften (niet op alle locaties beschikbaar)
 - Netsnoer
-
- De vorm en kleur van de items kunnen enigszins afwijken. Dit is afhankelijk van het model.
 - Niet-meegeleverde kabels kunnen apart worden aangeschaft.
 - Als u een HDMI- of USB-kabel aansluit of een USB-flashdrive op een HDMI- of USB-poort aansluit, gebruikt u een product met een breedte van 18 mm of minder en een hoogte van 10 mm of minder. Als de USB-kabel of USB-flashdrive niet op de USB-poorten van de projector past, gebruikt u een verlengkabel die USB 2.0 ondersteunt.
 - Gebruik een gecertificeerde kabel met het HDMI-logo erop.
 - Als u geen gecertificeerde HDMI-kabel gebruikt, wordt het scherm mogelijk niet weergegeven of er treedt een verbindingfout op. (Aanbevolen HDMI-kabeltypen)
 - Ultrasnelle HDMI-kabel (3 m of korter)



$A \leq 10 \text{ mm} / B \leq 18 \text{ mm}$

Nederlands

In de volgende gevallen kunnen administratiekosten in rekening worden gebracht:

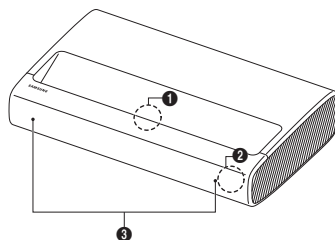
- Als op uw verzoek een monteur wordt gestuurd, maar het product niet defect is (wanneer u hebt nagelaten deze gebruiksaanwijzing te lezen).
- Als u het toestel naar het servicecentrum van Samsung brengt, maar het product niet defect blijkt (bijv. wanneer u hebt nagelaten de gebruiksaanwijzing te lezen).

Voordat de monteur u bezoekt, krijgt u informatie over de administratiekosten.

02 Productoverzicht

Over de projector

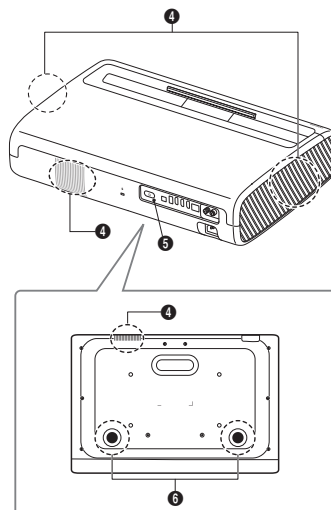
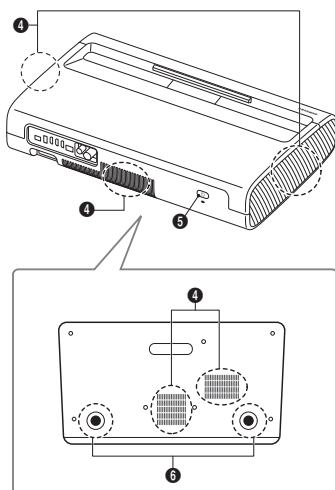
<Voorkant>



SP-LSP7TFA

SP-LSP9TFA

<Achterkant>



- | | |
|---|-------------------|
| ❶ Lens | ❷ Ventilatie |
| ❸ Afstandsbedieningssensor/led-indicators | ❹ Aan/uit-knop |
| ❹ Luidspreker | ❺ Kantelbare voet |

- De vorm en kleur van het product kunnen afhankelijk van het model variëren.
- Blokkeer de in- en afvoeropeningen van de projector niet.
- Wanneer u de projector in een gesloten ruimte bedient, moet er minstens 50 cm ruimte zijn rond de in- en afvoeropeningen.

03 De Samsung Smart-afstandsbediening

Meer informatie over de toetsen op de Samsung Smart-afstandsbediening.

- De afbeeldingen, toetsen en functies van de Samsung Smart-afstandsbediening kunnen per model verschillen.
- De functie Instellen universele afstandsbediening werkt normaal gesproken alleen als u de Samsung Smart-afstandsbediening gebruikt die bij uw projector wordt geleverd.

(In-/uitschakelen)

Hiermee schakelt u de projector in en uit.

(knop Cijfer)

Wanneer u deze toets indrukt, wordt een cijferreeks aan de onderkant van het scherm weergegeven. Selecteer de cijfers en selecteer vervolgens **Gereed** om een numerieke waarde in te voeren. Gebruik deze functie om het kanaal te wijzigen, een pincode of postcode in te voeren enzovoort.

- Als u de toets 1 seconde of langer ingedrukt houdt, wordt het TTX-menu weergegeven.

Selecteren

Hiermee selecteert u een gemarkeerd item of voert u het uit. Als u tijdens het kijken naar een programma op deze toets drukt, wordt er gedetailleerde programma-informatie weergegeven.

(Terug)

Hiermee gaat u terug naar het vorige menu. Als u de toets 1 seconde of langer ingedrukt houdt, wordt de huidige functie beëindigd. Wanneer u tijdens het kijken naar een programma op deze toets drukt, wordt het vorige kanaal weergegeven.

(Afspelen/Pauze)

Als u op deze toets drukt, wordt de afspelbesturing weergegeven. Deze bedieningselementen kunt u gebruiken om de mediainhoud te bedienen die wordt afgespeeld.

(Smart Hub)

Hiermee keert u terug naar het startscherm.

(Voice Assistant)

Voert de geselecteerde Voice Assistant uit. Houd de knop ingedrukt, spreek een spraakopdracht uit en laat de knop los om **Voice Assistant** uit te voeren.

- De ondersteunde talen en functies voor Spraakassistent kunnen per geografische regio verschillen.

(knop Kleur)

Gebruik deze gekleurde knoppen voor toegang tot aanvullende opties die specifiek zijn voor de functie die u gebruikt.

Richtingsknop (omhoog/omlaag/links/rechts)

Hiermee navigeert u door het projector-menu, markeert u items in het Startmenu, en verandert u weergegeven waarden in het menu van de projector.

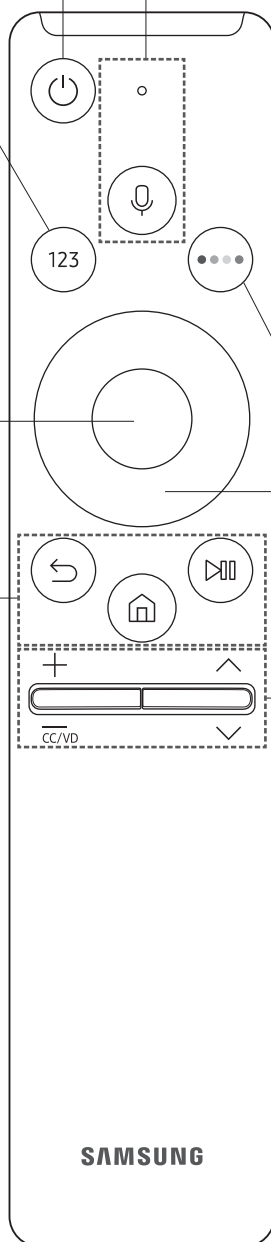
(Volume)

Beweeg de toets omhoog of omlaag om het volume aan te passen. U kunt het geluid dempen door op de toets te drukken. Als u de knop 1 seconde of langer ingedrukt houdt, wordt het menu **Snelkoppelingen voor Toegankelijkheid** weergegeven.

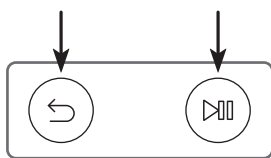
(Kanaal)



Beweeg de toets omhoog of omlaag om het kanaal te wijzigen. Druk op de toets om de **Gids** weer te geven.

- Als u de toets 1 seconde of langer ingedrukt houdt, wordt het scherm met de kanalenlijst weergegeven **Kanalenlijst** weergegeven.

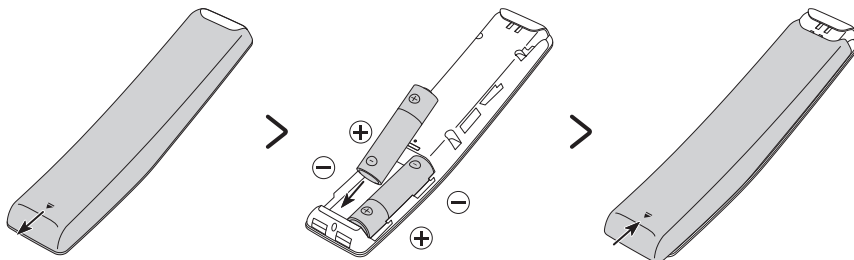


De projector koppelen met de Samsung Smart-afstandsbediening



Wanneer u de projector de eerste keer inschakelt, wordt automatisch een koppeling tot stand gebracht tussen de Samsung Smart-afstandsbediening en de projector. Als de Samsung Smart-afstandsbediening niet automatisch wordt gekoppeld aan de projector, richt u het apparaat op de afstandsbedieningssensor van de projector en houdt u de knoppen  en  tegelijkertijd ingedrukt gedurende minimaal 3 seconden, zoals op de afbeelding links weergegeven.

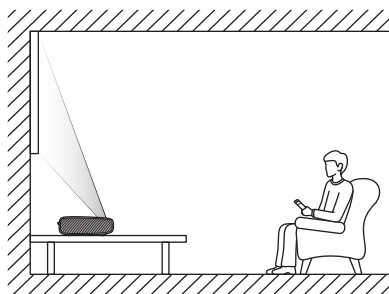
Batterijen in de Samsung Smart-afstandsbediening plaatsen



Voor het plaatsen van de batterijen duwt u het achterklepje open in de richting van de pijl (zie de onderzijde van de afbeelding) en plaatst u de batterijen zoals in de afbeelding wordt weergegeven. Zorg dat de plus- en minpolen correct zijn geplaatst. Sluit het achterklepje zoals weergegeven.

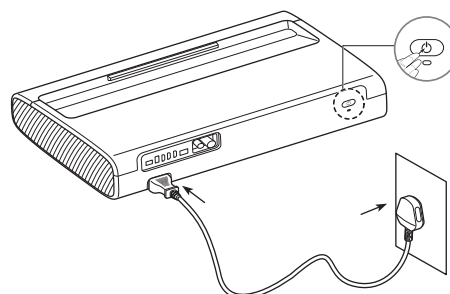
- Voor een langere gebruiksduur worden alkalinebatterijen aanbevolen.

04 De projector installeren



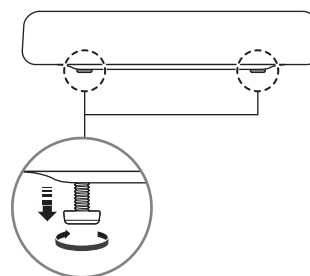
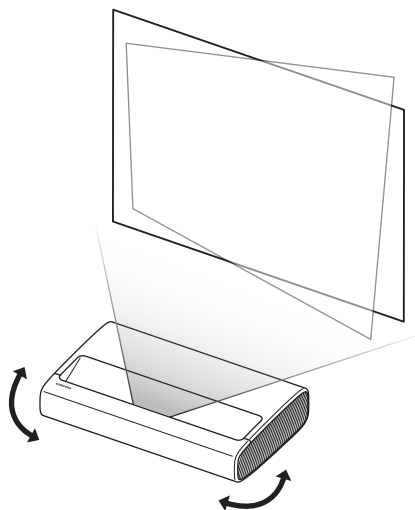
Installeer de projector horizontaal op een vlak oppervlak, zodat deze niet kantelt. Als het scherm en de projector niet horizontaal en verticaal zijn uitgelijnd of als het scherm gebogen is, kan de weergave vervormd worden.

1. Plaats de projector op een geschikte afstand van het scherm waarop geprojecteerd wordt, verbind met het netsnoer en schakel de projector in.
 - Als u uw projector voor de eerste keer inschakelt, wordt automatisch de beginconfiguratie gestart. Volg de instructies die worden weergegeven op het scherm en configureer de gewenste basisinstellingen van de projector die bij uw kijkomgeving passen.
 - U kunt de projector inschakelen door op de aan-/uitknop aan de onderkant van de projector te drukken en vervolgens het **Menu Beheer** te gebruiken. Het **Menu Beheer** wordt weergegeven als u op de aan-/uitknop drukt terwijl de projector is ingeschakeld.
 - Als het scherm er scheef of wazig uitziet, past u als volgt de weergave-instellingen aan.



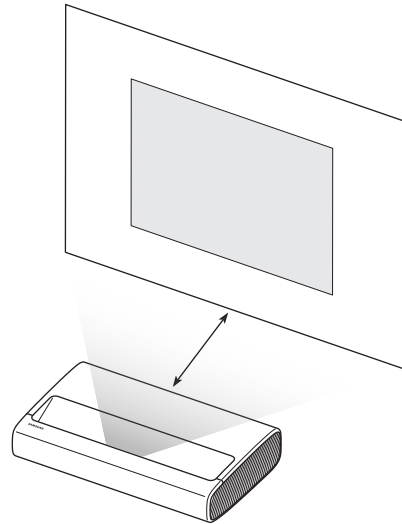
- De vorm en kleur van het product kunnen afhankelijk van het model variëren.

2. U maakt het scherm rechthoekig door de hoek aan te passen door de projector naar links of rechts te verschuiven of de kantelbare voet aan de onderkant van het scherm aan te passen.



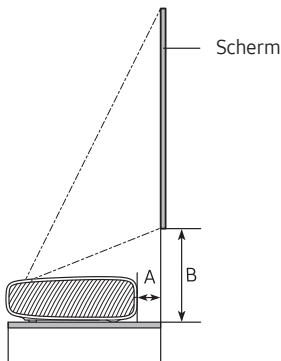
3. Verplaats de projector naar voren of naar achteren om de projectieafstand voor een gewenste schermgrootte aan te passen.

- Als het geprojecteerde scherm onduidelijk is, past u dit aan in **Instellingen > Algemeen > Projector-instellingen > Focus**.
- Als het geprojecteerde scherm niet in de juiste hoek staat, past u dit aan in **Projector-instellingen > Schermaanpassing**.
In dit geval kan de schermresolutie verminderen.
- Raadpleeg de volgende tabel voor meer informatie over de schermgroottes voor elke projectieafstand.



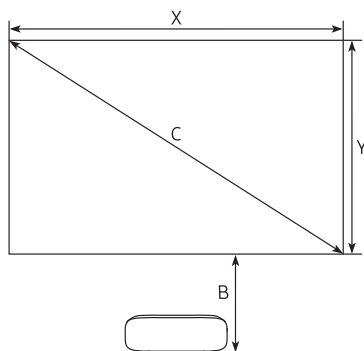
Afbeeldingsgrootte en projectieafstand

- De schermgrootte voor elke projectieafstand kan verschillend zijn, afhankelijk van de omgeving waarin de projector wordt geïnstalleerd.



SP-LSP7TFA

C (inch)	X (mm)	Y (mm)	A (mm)	B (mm)
90	1992	1121	247	349
95	2103	1183	275	364
100	2214	1245	303	379
105	2324	1308	331	394
110	2435	1370	359	409
115	2546	1432	387	424
120	2657	1494	415	439



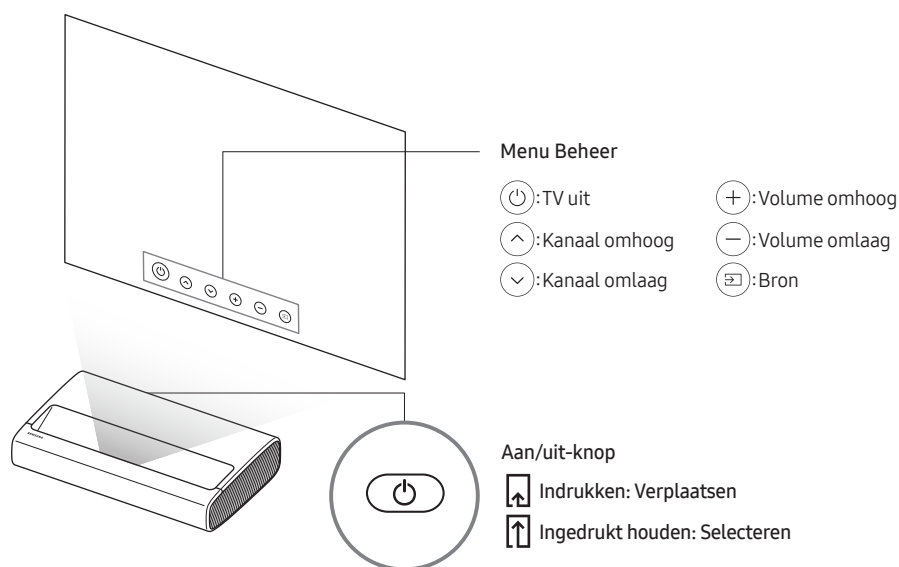
SP-LSP9TFA

C (inch)	X (mm)	Y (mm)	A (mm)	B (mm)
100	2214	1245	113	351
105	2324	1308	134	363
110	2435	1370	154	376
115	2546	1432	175	388
120	2657	1494	196	401
125	2767	1557	217	413
130	2878	1619	238	426

De Aan/uit-knop gebruiken

U kunt de projector inschakelen door op de aan-/uitknop aan de onderkant van de projector te drukken en vervolgens het **Menu Beheer** te gebruiken. Het **Menu Beheer** wordt weergegeven als u op de aan-/uitknop drukt terwijl de projector is ingeschakeld. Raadpleeg de onderstaande afbeelding voor meer informatie over het gebruik ervan.

- Bedien de knoppen vanaf de zijkant zodat het geprojecteerde scherm niet wordt afgedekt.
- Let erop dat u niet rechtstreeks in het licht kijkt dat door de projectorlens wordt uitgezonden.

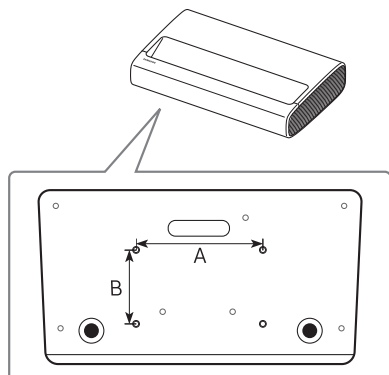


- De vorm en kleur van het product kunnen afhankelijk van het model variëren.

De projector aan de wand monteren



Raadpleeg een professioneel servicebedrijf indien u de projector op een muur wilt installeren. Anders kan de projector verschuiven of vallen, wat persoonlijk letsel of schade aan het product kan veroorzaken.



- De vorm en kleur van het product kunnen afhankelijk van het model variëren.



Plaats de wandbevestigingsset niet terwijl de projector is ingeschakeld. Dit kan leiden tot lichamelijk letsel door elektrische schokken.

- Gebruik geen schroeven die langer zijn dan de standaardafmeting of die niet aan de standaardnormen voor schroeven voldoen. Schroeven die te lang zijn, kunnen de binnenkant van de projector beschadigen.
- Voor wandmontagesets die niet voldoen aan de standaardspecificaties voor schroeven, kan de lengte van de schroeven afwijken, afhankelijk van de specificaties voor wandmontage.
- Draai de schroeven niet te vast. Dit zou ertoe kunnen leiden dat het product beschadigd raakt of valt, wat kan resulteren in lichamelijk letsel. Samsung is niet aansprakelijk voor dit soort ongelukken.
- Samsung is niet aansprakelijk voor productschade of lichamelijk letsel wanneer een niet-gespecificeerde wandbevestiging is gebruikt of wanneer de consument de installatie-instructies voor het product niet in acht heeft genomen.
- Bevestig de projector altijd met twee mensen aan de wand.

Bij het installeren van de wandmontageset raden wij aan om alle vier de schroeven vast te zetten.

Specificatie van de schroefgaten (A * B) in millimeters	Schroefdiepte (mm)	Standardschroef	Aantal
235 x 135	7-9	M6	4

05 Problemen oplossen en onderhoud

Problemen oplossen

Als er een probleem met de projector lijkt te zijn, bekijkt u eerst deze lijst met mogelijke problemen en oplossingen. U kunt daarnaast ook het gedeelte "Problemen oplossen" in het e-Manual doornemen. Als geen van de tips in deze lijst van toepassing zijn, gaat u naar www.samsung.com en klikt u daar op Ondersteuning, of neemt u contact op met het servicecentrum van Samsung dat op de achterkant van deze handleiding is vermeld.

- U kunt uw projector in optimale conditie houden door een upgrade naar de nieuwste firmware uit te voeren. Gebruik de functie **Nu bijwerken** of **Automatische update** op het menu van de projector (🏠 > ⚙️ Instellingen > Ondersteuning > Software-update > Nu bijwerken of Automatische update).

De projector schakelt niet in.

- Controleer of het netsnoer correct is aangesloten op de projector en het stopcontact.
- Controleer of het stopcontact werkt en of de afstandsbedieningssensor rechtsvoor op de projector rood brandt.
- Druk op de **Aan-/uit**-knop aan de achterkant van de projector om te controleren of het probleem bij de afstandsbediening ligt. Als de projector wordt ingeschakeld, raadpleeg dan hieronder 'De afstandsbediening werkt niet'.


Er is geen of een vervormd beeld/video/geluid van een extern apparaat of de projector geeft 'Zwak of geen signaal' weer of kan geen kanaal vinden.




- Controleer of de aansluiting met het apparaat juist is en of alle kabels goed zijn geplaatst.
- Koppel alle kabels los die op de projector en de externe apparaten zijn aangesloten en sluit deze vervolgens weer aan. Probeer indien mogelijk nieuwe kabels.
- Controleer of de juiste invoerbron is geselecteerd (🏠 > ➡️ Bron).
- Voer een zelfdiagnose van de projector uit om te bepalen of het probleem door de projector of het apparaat wordt veroorzaakt (🏠 > ⚙️ Instellingen > Ondersteuning > Apparaatonderhoud > Zelfdiagnose > Het beeld testen of Het geluid testen).
- Als de testresultaten normaal zijn, start de aangesloten apparaten dan opnieuw op door het netsnoer van elk apparaat los te koppelen en vervolgens opnieuw aan te sluiten. Als het probleem hiermee niet is opgelost, raadpleeg dan de aansluitgids in de handleiding van het aangesloten apparaat.
- Als u geen kabel- of satellietbox gebruikt en uw projector ontvangt tv-signalen van een antenne of kabelconnector in de wand, voert u **Automatisch afstemmen** uit om kanalen te zoeken (🏠 > ⚙️ Instellingen > Zenders > (Instellingen voor Automatisch afstemmen) > Automatisch afstemmen).
 - De **Instellingen voor Automatisch afstemmen** worden mogelijk niet weergegeven, afhankelijk van het model of de regio.
 - Als u een kabel- of satellietbox gebruikt, raadpleeg dan de handleiding van dat apparaat.

De afstandsbediening werkt niet.

- Controleer of de afstandsbedieningssensor rechtsvoor op de projector knippert wanneer u op de aan-/uitknop op de afstandsbediening drukt. Vervang de batterijen van de afstandsbediening als dat niet gebeurt.
- Zorg dat de batterijen met de polen (+/-) in de juiste richting zijn geplaatst.
- Probeer de afstandsbediening rechtstreeks op de projector te richten vanaf 1,5-1,8 m afstand.
- Als de projector is uitgerust met een Samsung Smart-afstandsbediening (Bluetooth-afstandsbediening), zorg er dan voor dat u deze aan de projector koppelt.

Het wachtwoord van de projector wijzigen.

 >  Instellingen > Algemeen > Systeembeheer > PIN wijzigen

1. Voer **PIN wijzigen** uit en geef vervolgens de huidige toegangscode op in het veld voor de toegangscode. Het standaardwachtwoord is "0000" (Frankrijk: "1111").
 2. Voer een nieuwe toegangscode in en herhaal deze ter bevestiging. De toegangscode is nu gewijzigd.
- Als u de toegangscode bent vergeten, drukt u achtereenvolgens op de volgende toetsen zodat de code opnieuw wordt ingesteld op "0000" (Frankrijk: "1111"):
Op de Samsung Smart-afstandsbediening: Selecteer de toets +/- (Volume). > **Volume omhoog** >  > **Volume omlaag** >  > **Volume omhoog** > .

06 Technische gegevens en overige informatie

Specificaties

Modelnaam	SP-LSP7TFA	SP-LSP9TFA
Beeldresolutie	3840 x 2160	
Lens	Vaste Lens	
Afbeeldingsgrootte (diagonaal)	90" ~ 120"	100" ~ 130"
Geluidsuitgang	30 W	40 W
Afmetingen (B x H x D)		
Behuizing	532,0 x 119,1 x 342,0 mm	550,0 x 128,0 x 367,0 mm
Met voet	532,0 x 132,7 x 342,0 mm	550,0 x 141,0 x 367,0 mm
Gewicht (met voet)	9,1 kg	11,5 kg

Omgevingsvereisten

Bedrijfstemperatuur	10 °C tot 40 °C (50 °F tot 104 °F)
Luchtvochtigheid bij gebruik	10% tot 80%, niet-condenserend
Opslagtemperatuur	-20 °C tot 45 °C (-4 °F tot 113 °F)
Luchtvochtigheid bij opslag	5% tot 95%, niet-condenserend

Opmerkingen

- De vormgeving en specificaties kunnen zonder voorafgaande kennisgeving worden gewijzigd.
- Dit is een digitaal apparaat van klasse B.
- Zie voor informatie over de stroomvoorziening en meer informatie over het energieverbruik het etiket op het product.
 - De waarschuwingen met betrekking tot labelclassificatie en laser vindt u op het vlak aan de onderzijde van de projector.
- Standaard stroomverbruik gemeten overeenkomstig IEC 62087.
- Alle tekeningen worden niet noodzakelijkerwijs op schaal weergegeven. Bepaalde afmetingen kunnen zonder voorafgaande kennisgeving worden gewijzigd. Raadpleeg de afmetingen voordat u de projector installeert. Wij dragen geen verantwoordelijkheid voor typografische fouten of drukfouten.
- Gebruik een CAT 7-kabel (*STP-type) voor de verbinding als u een LAN-kabel wilt aansluiten. (100/10 Mbps)
* Shielded Twisted Pair
- De afbeeldingen en illustraties in deze gebruiksaanwijzing dienen alleen ter referentie en kunnen afwijken van het werkelijke uiterlijk van het product. Het ontwerp en de specificaties van het product kunnen zonder voorafgaande kennisgeving worden gewijzigd.

Na reparatie door een niet-geautoriseerde serviceprovider, zelfreparatie of niet-professionele reparatie van het product, is Samsung niet aansprakelijk voor enige schade aan het product, letsel of enig ander productveiligheidsprobleem veroorzaakt door een poging om het product te repareren. Schade aan het product die is veroorzaakt door een poging het product te repareren door iemand anders dan een door Samsung gecertificeerde serviceprovider, wordt niet gedekt door de garantie.

Ga naar samsung.com/nl/support voor meer informatie over externe voedingsadapters en afstandsbedieningen in met betrekking tot de EU Ecodesign-directive / ErP-regulation

Het verlagen van het energieverbruik

Als u de projector uitzet, gaat deze naar de Stand-bymodus. In de standby-stand blijft de tv een kleine hoeveelheid stroom verbruiken. U kunt het stroomverbruik verminderen door het netsnoer los te koppelen als u van plan bent de projector gedurende lange tijd niet te gebruiken.

Licenties



The terms HDMI and HDMI High-Definition Multimedia Interface, and the HDMI Logo are trademarks or registered trademarks of HDMI Licensing LLC in the United States and other countries.

Hierbij verklaart Samsung dat deze radioapparatuur voldoet aan Richtlijn 2014/53/EU en de relevante wettelijke voorschriften van het Verenigd Koninkrijk.

De volledige tekst van de conformiteitsverklaring is beschikbaar op het volgende internetadres: <http://www.samsung.com> ga naar Support (Ondersteuning) en voer de naam van het model in.

Deze apparatuur kan in alle EU-landen en het VK worden gebruikt.

De 5 GHz WLAN-functie (Wi-Fi) van deze apparatuur kan mogelijk alleen binnenshuis worden gebruikt.

Maximaal zendvermogen bluetooth: 100 mW bij 2,4 GHz – 2,4835 GHz

Maximaal zendvermogen Wi-Fi: 100 mW bij 2,4 Ghz-2,4835 GHz, 200 mW bij 5,15 Ghz-5,25 GHz, 100 mW 5,25 Ghz-5,35 GHz & 5,47 GHz - 5,725 GHz



**Juiste afvoer van dit product (afvalverwerking van elektrische en elektronische apparatuur)
(Van toepassing in landen met afzonderlijke inzamelsystemen)**

Dit label op het product, de accessoires of de documentatie bij dit product duidt erop dat het product en de bijbehorende elektronische accessoires (bijvoorbeeld de oplader, heetste of USB-kabel) aan het eind van de levensduur niet mogen worden afgevoerd met het huishoudelijk afval. Om milieuverontreiniging of problemen voor de volksgezondheid als gevolg van ongeregelde afvalverwerking te voorkomen, dient u deze items van het andere afval te scheiden zodat de materialen op verantwoorde wijze kunnen worden hergebruikt.

Thuisgebruikers moeten contact opnemen met de winkel waar ze het product gekocht hebben of met de plaatselijke overheidsinstanties als ze willen weten waar en hoe ze deze items op milieuvriendelijke wijze kunnen recyclen.

Zakelijke gebruikers dienen contact op te nemen met de leverancier en de voorwaarden en bepalingen van het koopcontract te raadplegen. Dit product en de bijbehorende elektronische accessoires mogen niet samen met ander commercieel afval worden afgevoerd.



**Juiste afvoer van de batterijen in dit product
(Van toepassing in landen met afzonderlijke inzamelsystemen)**

Wanneer dit symbool op de batterij, de handleiding of de verpakking wordt weergegeven, wordt daarmee aangegeven dat de batterijen in dit product aan het einde van de levensduur niet samen met het gewone huishoudelijk afval mogen worden afgevoerd. Wanneer u de chemische symbolen Hg, Cd of Pb ziet, betekent dit dat de batterij respectievelijk kwik, cadmium of lood boven de referentieniveaus in EU-richtlijn 2006/66 bevat. Als batterijen niet op de juiste wijze worden afgevoerd, kunnen deze stoffen schade aanrichten aan het milieu of de menselijke gezondheid.


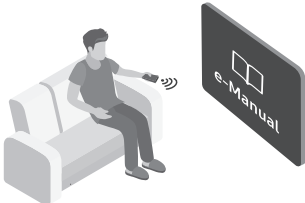


Om de natuurlijke hulpbronnen te beschermen en hergebruik van materiaal te bevorderen, moet u batterijen scheiden van andere soorten afval en deze via uw plaatselijke, gratis batterij-inzamelsysteem recyclen.

Prima di leggere questo manuale dell'utente

Samsung dichiara che questo TV è conforme all'art. 3quinquies D.L. 16/2012 convertito con modifiche da L. 44/2012 e successivamente modificato da L. 11/15"

Questo proiettore viene venduto con un manuale dell'utente ed un manuale elettronico incorporato.




Prima di leggere questo manuale, vedere:

	Manuale dell'utente	Leggere questo manuale in dotazione per visualizzare le informazioni sulla sicurezza dei prodotti, installazione, accessori, configurazione iniziale e specifiche del prodotto.
	e-Manual	Per maggiori informazioni su questo proiettore, leggere il manuale elettronico incorporato nel prodotto. <ul style="list-style-type: none">• Per accedere al e-Manual,  >  Impostazioni > Supporto > Apri e-Manual



Nel sito web (www.samsung.com) è possibile scaricare i manuali e visualizzarne i contenuti sul proprio PC o dispositivo mobile.

Conoscere le funzioni di assistenza dell'e-Manual

- Alcune schermate del menu non sono accessibili dal manuale elettronico.

	Ricerca	Scegliere una voce dall'elenco dei risultati per caricare la pagina corrispondente.
A-Z	Indice	Selezionare una parola chiave per consultare la relativa pagina. <ul style="list-style-type: none">– I menu possono differire in base all'area geografica di appartenenza.
	Mappa del sito	Visualizza gli elenchi per ogni elemento in e-Manual.
	Visti di recente	Selezionare un argomento dall'elenco di argomenti visualizzati di recente.


Conoscere le funzione dei tasti visualizzati nelle pagine degli argomenti dell'e-Manual

	Prova ora	Permette di accedere alla voce del menu corrispondente e di provare immediatamente la funzione.
	Collega	Accedere immediatamente all'argomento evidenziato di una pagina del e-Manual.

Avvertenza! Istruzioni importanti di sicurezza


Leggere le Istruzioni di sicurezza prima di usare il proiettore.

Per una spiegazione sui simboli che possono comparire sui prodotti Samsung vedere la tabella sotto.

ATTENZIONE	
RISCHIO DI SCARICHE ELETTRICHE. NON APRIRE.	
ATTENZIONE: PER RIDURRE IL RISCHIO DI SCOSSE ELETTRICHE, NON RIMUOVERE IL COPERCHIO (O IL PANNELLO POSTERIORE). NON CONTIENE PARTI RIPARABILI DALL'UTENTE. RIVOLGERSI A UN TECNICO DELL'ASSISTENZA QUALIFICATO.	
	Questo simbolo indica che all'interno sono presenti tensioni pericolose. E' pericoloso toccare in qualsiasi modo le parti interne di questo prodotto.
	Questo simbolo indica la disponibilità di informazioni importanti nella letteratura del prodotto relative al funzionamento e alla manutenzione del dispositivo.
	Tensione CA: La tensione nominale contraddistinta con questo simbolo è di tipo CA.
	Tensione CC: La tensione nominale contraddistinta con questo simbolo è di tipo CC.
	Attenzione. Leggere le Istruzioni per l'uso: Questo simbolo indica all'utente la necessità di consultare il manuale dell'utente per ottenere ulteriori informazioni sulla sicurezza.

Installazione

- Sul retro o sul fondo del telaio sono presenti aperture di ventilazione. Per evitare il surriscaldamento del dispositivo e garantirne un funzionamento ottimale, non ostruire o coprire in nessun caso le aperture di ventilazione.
 - Non posizionare il prodotto all'interno di uno spazio limitato, come per esempio una libreria o un vano a incasso, privo di adeguata ventilazione.

- Non esporre il prodotto a luce solare diretta né collocarlo vicino o sopra un radiatore o una griglia di un impianto di riscaldamento.
- Non collocare sul prodotto recipienti pieni d'acqua (come vasi, ecc...); la mancata osservanza di questa precauzione può causare incendio o scarica elettrica.
- Non esporre il prodotto a gocce o spruzzi d'acqua.
- Contattare un Centro di assistenza autorizzato Samsung qualora si installi il proiettore in un locale molto polveroso o in presenza di temperature molto alte o molto basse, elevata umidità, presenza di sostanze chimiche o in caso di funzionamento 24 ore su 24, per esempio in aeroporti, stazioni ferroviarie, ecc.. La mancata osservanza di questa precauzione può causare gravi danni al proiettore.
- Non esporre il prodotto a gocce o spruzzi d'acqua.
- Non gettare le batterie nel fuoco.
- Le batterie (gruppo batterie o batterie installate) non devono essere esposte a un calore eccessivo, come per esempio luce solare diretta, fiamme libere o simili.
- **ATTENZIONE:** Sostituendo le batterie esauste del telecomando con un tipo di batterie di voltaggio errato vi è il pericolo di esplosione. Sostituire solo con batterie dello stesso tipo o equivalenti.
- **AVVERTENZA - PER EVITARE IL PERICOLO DI INCENDIO, NON AVVICINARE MAI AL PRODOTTO CANDELE ACCESE O ALTRE FIAMME LIBERE.** 
- Prestare attenzione nel toccare il proiettore dopo che è rimasto acceso per diverso tempo. Alcune parti possono risultare calde al tatto.

Funzione

- Questo prodotto utilizza batterie. Seguire le normative locali in vigore per il corretto smaltimento delle batterie. Contattare l'autorità locale per richiedere informazioni sulle modalità di riciclo e smaltimento.
- Non far cadere o colpire il prodotto. Se il prodotto risulta danneggiato, scollegare il cavo di alimentazione e rivolgersi ad un Centro di assistenza autorizzato Samsung.
- Qualora sia necessario spegnere del tutto il proiettore, attendere fino a quando la ventola si ferma completamente in modo che il proiettore possa raffreddarsi completamente.

Alimentazione

- Non sovraccaricare le prese a parete, le prolunghie e gli adattatori oltre la loro capacità per evitare rischi di incendio o scariche elettriche.
- I cavi di alimentazione devono essere posizionati in modo da non poter essere calpestati o schiacciati da oggetti posizionati sopra o contro di essi. Prestare particolare attenzione ai cavi e alle spine, in prossimità delle prese elettriche e nel punto in cui escono dall'apparecchio.
- Per proteggere l'apparecchio in caso di fulmini, o se è stato lasciato incustodito o non utilizzato per un lungo periodo di tempo, scollegarlo dalla presa a parete e scollegare il sistema via cavo/ antenna. Questa precauzione proteggerà il prodotto dai danni causati da fulmini e picchi di corrente.
- Prima di collegare il cavo di alimentazione CA, assicurarsi che la tensione operativa del proiettore corrisponda alla tensione erogata dalla presa elettrica. Vedere la sezione relativa alle specifiche di alimentazione nel manuale e/o dell'etichetta apposto sul prodotto per conoscere le informazioni di voltaggio ed amperaggio.
- Non inserire mai oggetti metallici nelle aperture dell'apparecchio. Ciò potrebbe provocare una scarica elettrica.
- Per evitare il pericolo di scosse elettriche, non toccare mai le parti interne dell'apparecchio. L'apparecchio può essere aperto solo da un tecnico qualificato.

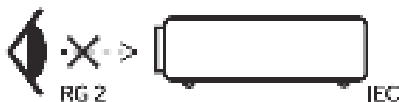
- Inserire saldamente la spina del cavo di alimentazione nella presa elettrica. Nello scollegare la spina di alimentazione dalla presa a parete, afferrarla per la spina e non per il cavo. Non scollegare mai la presa tirando il cavo di alimentazione. Non toccare il cavo di alimentazione con le mani bagnate.
- Se l'apparecchio funziona in modo anomalo, in particolare se emette odori o rumori insoliti, scollegarlo immediatamente dall'alimentazione e contattare un rivenditore autorizzato o un Centro di assistenza Samsung.
- Estrarre la spina dalla presa di corrente qualora il proiettore rimanga inutilizzato o non si intenda utilizzarlo per un lungo periodo di tempo (in particolare in presenza di minori, anziani o persone diversamente abili non sorvegliati).
 - La polvere accumulata può causare scariche elettriche, perdite di corrente o incendio a causa del calore o delle scintille generate dal cavo di alimentazione o dal degrado della guaina isolante.
- Utilizzare solo una spina e una presa opportunamente collegate a terra.
 - Una messa a terra inadeguata può causare scosse elettriche o danni al prodotto. (Solo dispositivi di Classe I.)
- Per spegnere completamente questo apparecchio, scollegare la spina dalla presa di corrente a parete. Per poter scollegare rapidamente il televisore dalla presa di corrente in caso di necessità, assicurarsi che la spina del cavo di alimentazione sia sempre rapidamente accessibile.

Pulizia

- Per pulire il prodotto, scollegare il cavo di alimentazione dalla presa di corrente e pulirlo con un panno morbido e asciutto. Non usare prodotti chimici quali cera, benzene, alcol, solventi, insetticidi, deodoranti per l'ambiente, lubrificanti o detersivi. Tali sostanze chimiche possono danneggiare l'aspetto del proiettore o cancellare le scritte riportate sul prodotto.
- Non spruzzare acqua o soluzioni detersive direttamente sul proiettore. Qualsiasi liquido che riesca a penetrare all'interno del prodotto può provocare guasti, incendio o una scossa elettrica.

Laser

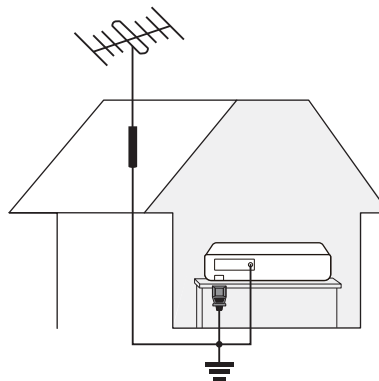
- Non ostruire il fascio di luce proveniente dalle lenti di proiezioni del proiettore quando è in funzione. La luce riscalderà l'oggetto, potenzialmente fondendolo o innescando un principio di incendio.
- Non guardare direttamente la luce emessa dalle lenti del proiettore o indirizzare la luce verso gli occhi di altri.



- **AVVERTENZA: MONTARE AL DI SOPRA DELL'ALTEZZA DEI BAMBINI.** Ulteriori avvisi relativi all'esposizione degli occhi per armature chiuse inferiori a 1 m.
- Come per qualsiasi altra luce intensa, non fissare direttamente il raggio di luce, RG2 IEC 62471-5:2015.
- Questo proiettore è un apparecchio di Classe 1 prodotto di IEC 60825-1:2014 e di Gruppo di rischio 2 secondo le specifiche IEC 62471-5:2015
- Istruzioni aggiuntive per la supervisione dei minori, non fissaggio, e non utilizzo di ausili ottici
 - Si raccomanda di supervisionare i minori e di non permettere loro in alcun momento di fissare il raggio di proiezione a qualsiasi distanza dal proiettore.
 - Si raccomanda di prestare attenzione nell'uso del telecomando per l'avvio del proiettore rimanendo davanti alle lenti di proiezione.
 - Si raccomanda l'utente di evitare l'uso di ausili ottici come binocoli o telescopi entro il raggio.
- Non aprire o smontare il proiettore poiché tale operazione potrebbe creare seri danni esponendo il raggio laser.

Antenna

- Piegarla verso il basso la parte dove è situata l'antenna in modo che eventuale pioggia non possa penetrare al suo interno.
- In caso di uso di una antenna esterna, installarla lontano dai cavi elettrici così da evitare la possibilità che tocchi eventuali cavi nelle sue vicinanze anche in caso di caduta a causa di vento forte.



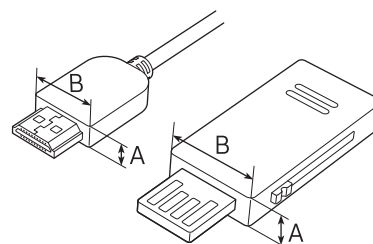
Indice

	Prima di leggere questo manuale dell'utente	2
	Avvertenza! Istruzioni importanti di sicurezza	3
01	Contenuto della confezione	
02	Introduzione al prodotto	
	Informazioni sul proiettore	8
03	Samsung Smart Remote	
	Conoscere i tasti del Samsung Smart Remote.	9
	Abbinamento del proiettore al Samsung Smart Remote	10
	Installazione delle batterie nel telecomando Samsung Smart Remote	10
04	Installazione del proiettore	
	Dimensioni dell'immagine e distanza di proiezione	12
	Uso del Tasto di accensione	13
	Montare il proiettore a parete	14
05	Risoluzione dei problemi e manutenzione	
	Risoluzione dei problemi	15
	Modifica della password del proiettore	16
06	Specifiche e altre informazioni	
	Specifiche	17
	Caratteristiche ambientali	17
	Riduzione del consumo energetico	18
	Licenze	18

01 Contenuto della confezione

Controllare che nell'imballaggio del proiettore siano contenuti i seguenti componenti. Se eventuali componenti risultano mancanti, contattare il rivenditore.

- Samsung Smart Remote & Pile (2 tipo AA)
 - Manuale dell'utente
 - Scheda di garanzia / Guida alle normative (non disponibili in tutti i paesi)
 - Cavo di alimentazione
-
- La forma e il colore dei componenti possono variare in base al modello.
 - Eventuali cavi non forniti possono essere acquistati separatamente.
 - In caso di connessione mediante un cavo HDMI o USB, o di connessione di una chiavetta USB alla porta HDMI o USB, usare un prodotto con una profondità di 18 mm o meno ed una altezza di 10 mm o meno. Qualora il cavo USB o a chiavetta USB non entri nelle porte USB del proiettore, usare un cavo di prolunga in grado di supportare lo standard USB 2.0.
 - Usare un cavo certificato riportante il logo HDMI.
 - Qualora il cavo HDMI utilizzato non sia certificato, lo schermo potrebbe non essere visualizzato o potrebbe verificarsi un errore di connessione (tipologia di cavi HDMI consigliati).
 - Cavo HDMI ad alta velocità (3 m o meno)



$A \leq 10 \text{ mm} / B \leq 18 \text{ mm}$

Nelle seguenti condizioni è possibile che vengano addebitati costi amministrativi:

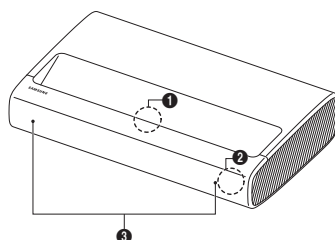
- (a) l'uscita del tecnico in seguito a una chiamata non porta all'individuazione di alcun difetto nel prodotto (ovvero laddove l'utente non abbia letto il manuale dell'utente).
- (b) L'utente ha consegnato l'unità ad un Centro di assistenza Samsung ma non è stato individuato alcun difetto nel prodotto (ovvero laddove l'utente non abbia letto il manuale dell'utente).

Prima dell'uscita del tecnico l'utente viene informato delle spese amministrative.

02 Introduzione al prodotto

Informazioni sul proiettore

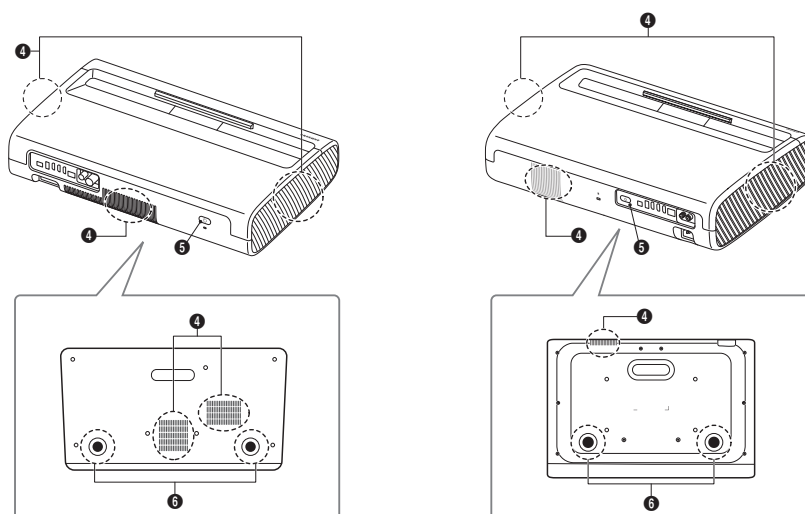
<Davanti>



SP-LSP7TFA

SP-LSP9TFA

<Retro>



❶ Obiettivo

❷ Sensore telecomando / spia LED

❸ Altoparlante

❹ Ventilazione

❺ Tasto di accensione

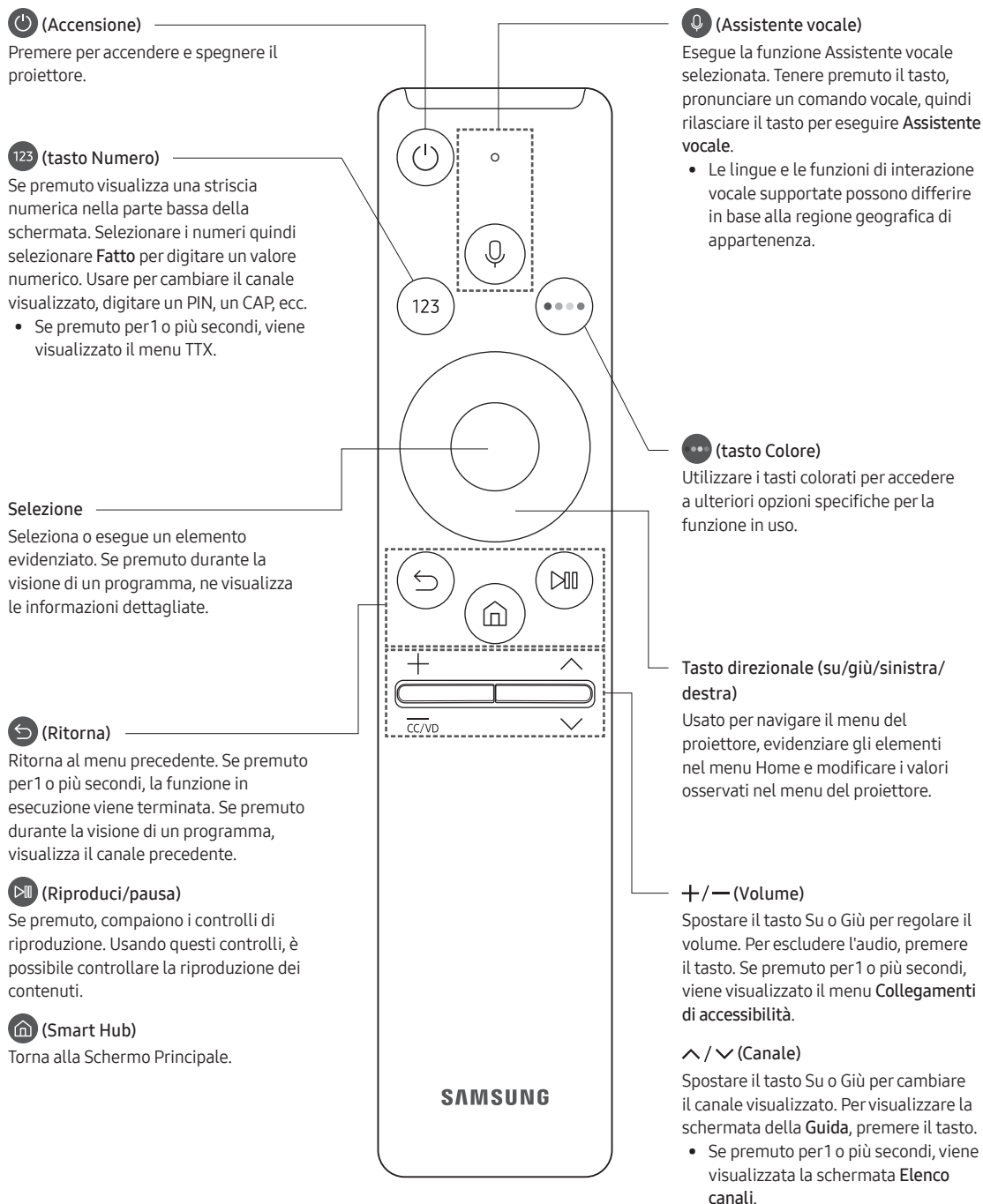
❻ Piedino di regolazione della inclinazione

- La forma e il colore del prodotto possono variare in base al modello.
- Non ostruire le aperture e ventole di ventilazione del proiettore.
- Operando il proiettore in uno spazio ristretto, lasciare almeno 50 cm di spazio intorno alle aperture e ventole di ventilazione.

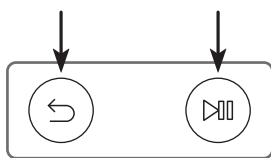
03 Samsung Smart Remote



Conoscere i tasti del Samsung Smart Remote.

- Le immagini, i tasti e le funzioni del Samsung Smart Remote possono differire in base al modello.
- La funzione Configurazione telecomando universale viene eseguita regolarmente solo se si usa il Samsung Smart Remote fornito in dotazione al Proiettore.

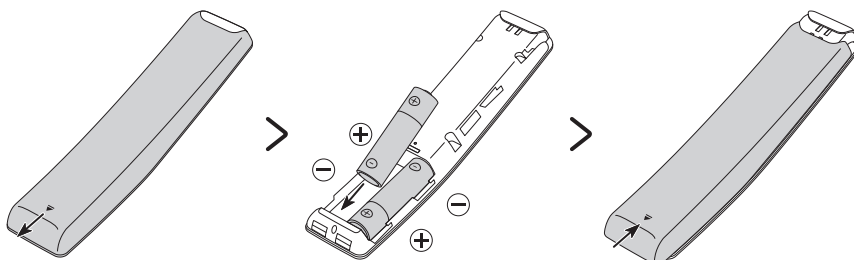


Abbinamento del proiettore al Samsung Smart Remote



Quando si accende il proiettore per la prima volta, il Samsung Smart Remote verrà abbinato automaticamente al proiettore. Se l'abbinamento automatico tra Samsung Smart Remote ed il proiettore non riesce, puntare il dispositivo verso il sensore del proiettore e premere contemporaneamente i tasti  e  riportati nel disegno a sinistra per almeno 3 secondi.

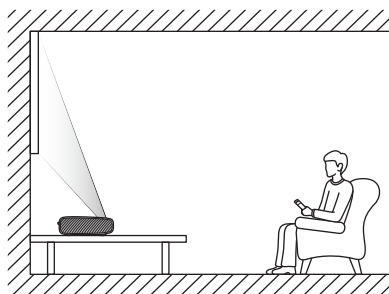
Installazione delle batterie nel telecomando Samsung Smart Remote



Per inserire le batterie, spingere per aprire il coperchio posteriore nella direzione indicata dalla freccia in basso nell'illustrazione, quindi inserire le batterie come mostrato nella figura. Assicurarsi che i poli positivo e negativo siano rivolti nella direzione corretta. Chiudere il coperchio posteriore come mostrato.

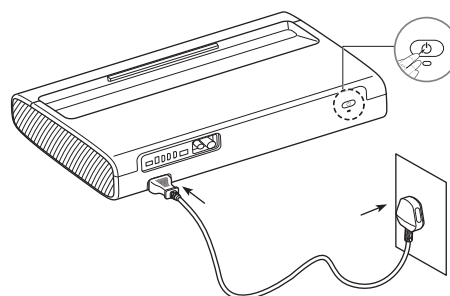
- Per una maggiore durata della batterie si consiglia l'uso di batterie alcaline.

04 Installazione del proiettore



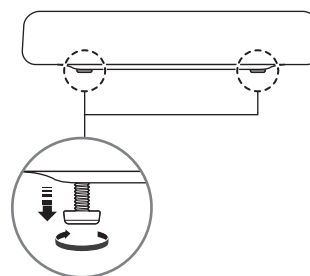
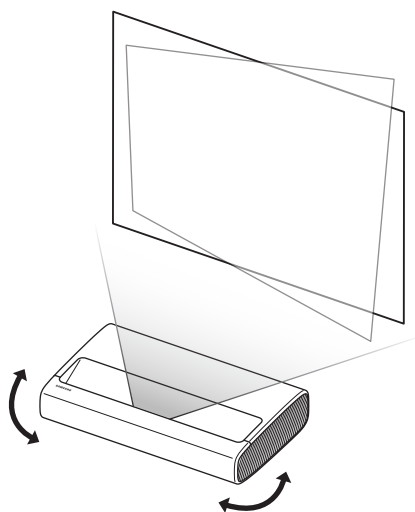
Installare il proiettore in orizzontale su una superficie piana così da prevenire un eventuale ribaltamento. Quando lo schermo ed il proiettore non sono allineati orizzontalmente e verticalmente, oppure lo schermo è curvo, la visualizzazione può risultare distorta.

1. Posizionare il proiettore ad una distanza adeguata dallo schermo da proiettare, collegarlo con il cavo di alimentazione ed accenderlo.
 - Quando si accende il proiettore per la prima volta, il proiettore esegue automaticamente la funzione di Impostazione iniziale. Seguire le istruzioni visualizzate sullo schermo e configurare le impostazioni base del proiettore per regolare le condizioni ambientali di visione.
 - Per accendere il proiettore premere il tasto di accensione sul retro del proiettore quindi usare il **Menu di controllo**. Il **Menu di controllo** compare alla pressione del tasto di accensione mentre il proiettore è acceso.
 - Se lo schermo risulta sfocato o distorto, regolare le impostazioni seguendo le istruzioni riportate di seguito.




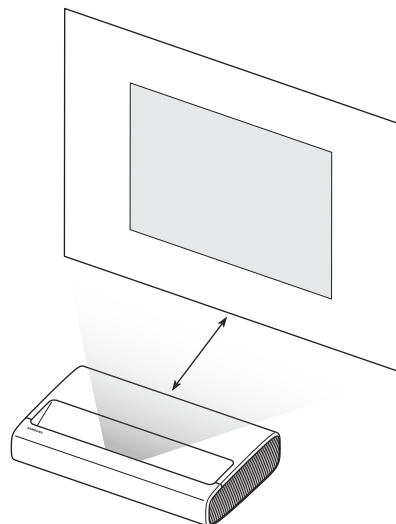
- La forma e il colore del prodotto possono variare in base al modello.

2. Regolare l'angolo muovendo il proiettore a sinistra e a destra o regolare il piedino di inclinazione sul fondo per rendere lo schermo rettangolare.



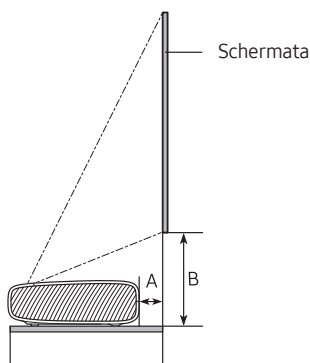
3. Spostare il proiettore in avanti e indietro per regolare la distanza di proiezione per una specifica dimensione di schermo.

- Quando lo schermo proiettato non è nitido,  **Impostazioni > Generali > Impostazioni Projector > Messa a fuoco.**
- Quando lo schermo proiettato non è ad angolo retto, regolarlo in **Impostazioni Projector > Regolazione schermo.**
In tale caso, la risoluzione dello schermo può diminuire.
- Per maggiori informazioni sulle dimensioni dello schermo per ogni distanza di proiezione, vedere la tabella che segue.



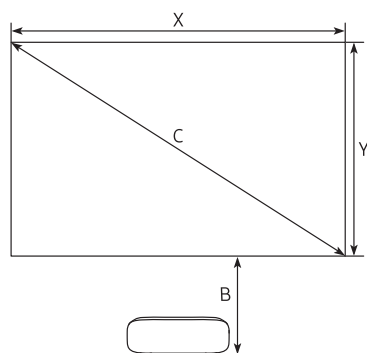
Dimensioni dell'immagine e distanza di proiezione

- Le dimensioni dello schermo per ogni distanza di proiezione può variare in base all'ambiente di installazione.



SP-LSP7TFA

C (pollici)	X (mm)	Y (mm)	A (mm)	B (mm)
90	1992	1121	247	349
95	2103	1183	275	364
100	2214	1245	303	379
105	2324	1308	331	394
110	2435	1370	359	409
115	2546	1432	387	424
120	2657	1494	415	439



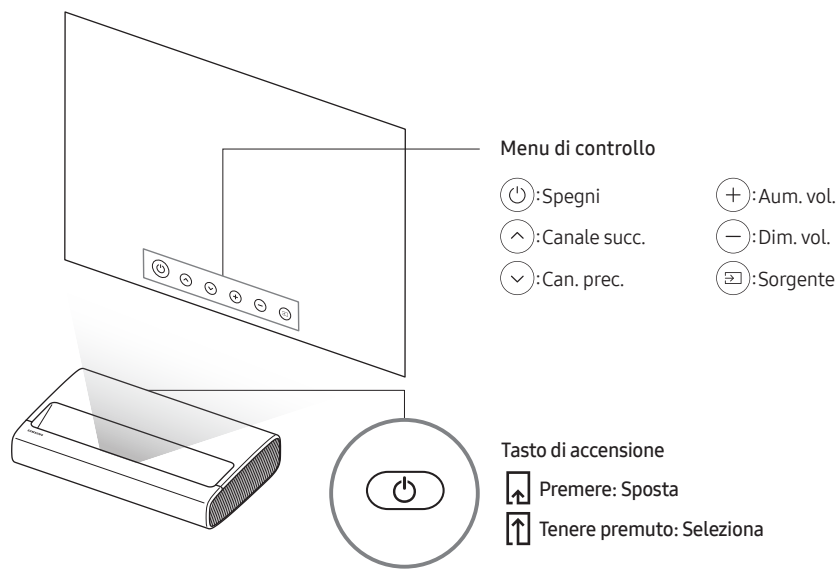
SP-LSP9TFA

C (pollici)	X (mm)	Y (mm)	A (mm)	B (mm)
100	2214	1245	113	351
105	2324	1308	134	363
110	2435	1370	154	376
115	2546	1432	175	388
120	2657	1494	196	401
125	2767	1557	217	413
130	2878	1619	238	426

Uso del Tasto di accensione

Per accendere il proiettore premere il tasto di accensione sul retro del proiettore quindi usare il **Menu di controllo**. Il **Menu di controllo** compare alla pressione del tasto di accensione mentre il proiettore è acceso. Per maggiori informazioni sul suo uso, vedere la figura sotto.

- Premere i tasti presenti sul lato del prodotto in modo da non coprire lo schermo proiettato.
- Prestare attenzione a non avere l'emissione diretta della luce dalle lenti del proiettore.

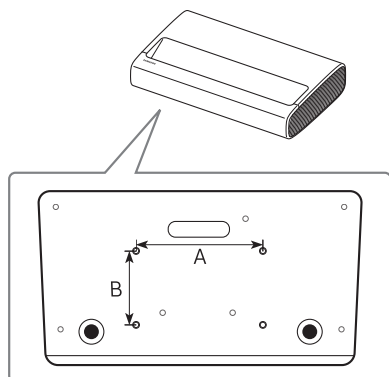


- La forma e il colore del prodotto possono variare in base al modello.

Montare il proiettore a parete



Per installare il proiettore a parete consultare un professionista del settore. In caso contrario il proiettore potrebbe cadere provocando danni al prodotto o lesioni alle persone.



Nell'installare il kit di fissaggio a parete, si consiglia di serrare tutte le quattro viti della staffa.

Specifiche alloggiamento viti (A * B) in millimetri	Spessore vite (mm)	Vite standard	Quantità
235 x 135	7-9	M6	4

- La forma e il colore del prodotto possono variare in base al modello.



Non installare il kit di montaggio a parete mentre il proiettore è acceso. La mancata osservanza di questa precauzione può causare lesioni personali causate da scariche elettriche.

- Non utilizzare viti più lunghe delle dimensioni standard o non conformi alle specifiche dello standard VESA. Viti troppo lunghe possono danneggiare i componenti interni del proiettore.
- Per sistemi di montaggio a parete non conformi allo standard VESA, la lunghezza delle viti potrebbe differire in base alle specifiche del sistema di montaggio usato.
- Non serrare eccessivamente le viti. Ciò potrebbe danneggiare il prodotto o causarne la caduta con conseguente rischio di lesioni. Samsung non può essere ritenuta responsabile per tali incidenti.
- Samsung non potrà essere ritenuta responsabile per eventuali danni o lesioni personali qualora vengano usati sistemi di montaggio a parete diversi o l'utente non si attenga alle istruzioni di installazione fornite.
- È necessario che l'installazione a parete del proiettore sia eseguita da due persone.

05 Risoluzione dei problemi e manutenzione

Risoluzione dei problemi

Se il televisore sembra funzionare in modo anomalo, controllare per prima cosa l'elenco dei possibili problemi e soluzioni. In alternativa, consultare la sezione Risoluzione dei problemi nell'e-Manual. Se nessuna delle soluzioni fornite si dimostra utile per risolvere il problema, visitare il sito "www.samsung.com" quindi fare clic su Supporto, oppure chiamare il numero del Centro di assistenza Samsung riportato sul retro di copertina di questo manuale.

- Per mantenere il proiettore in condizioni ottimali si consiglia di aggiornare il software alla versione più recente. Usare la funzione **Aggiorna ora** o **Aggiornamento automatico** nel menu del proiettore (🏠 > ⚙️ Impostazioni > Supporto > Aggiornamento software > Aggiorna ora or Aggiornamento automatico).

Il proiettore non si accende.

- Verificare che la spina del cavo di alimentazione CA sia correttamente collegata alla presa a parete e al proiettore.
- Assicurarsi che la presa a parete sia regolarmente funzionante e che la spia del sensore del telecomando a destra del proiettore sia accesa, fissa e di colore rosso.
- Premere il tasto **Accensione** sul retro del proiettore per verificare che il problema non sia il telecomando. Se il proiettore si accende, vedere la sezione "Il telecomando non funziona" riportata sotto.

Non viene visualizzata alcuna immagine/video/audio da un dispositivo esterno o sullo schermo del proiettore compare il messaggio "Segnale debole o assente" oppure è impossibile trovare il canale.

- Verificare che la connessione al dispositivo sia corretta e che tutti i cavi siano correttamente collegati.
- Rimuovere e ricollegare tutti i cavi collegati al proiettore e ai dispositivi esterni. Se possibile, collegare nuovi cavi.
- Confermare di aver selezionato la sorgente di ingresso corretta (🏠 > 📺 Sorgente).
- Eseguire una diagnosi del proiettore per determinare se la causa del problema è il proiettore o il dispositivo (🏠 > ⚙️ Impostazioni > Supporto > Manutenzione dispositivo > Auto diagnosi > Test immagine o Test audio).
- Se i risultati del test sono normali, riavviare i dispositivi collegati scollegando i loro cavi di alimentazione e ricollegandoli. Se il problema persiste, consultare la guida ai collegamenti contenuta nella guida dell'utente dei dispositivi collegati.
- Qualora non si utilizzi un ricevitore via cavo o satellitare ed il proiettore riceva segnali da una antenna o da un cavo, eseguire la funzione **Sintonizzazione automatica** per cercare i canali (🏠 > ⚙️ Impostazioni > Trasmissione > (Impostazioni Sintonizzazione automatica) > Sintonizzazione automatica).
 - Il Impostazioni Sintonizzazione automatica potrebbe non essere supportato in base al modello posseduto o all'area geografica di appartenenza.
 - Se si utilizza un ricevitore via cavo o satellitare, vedere il manuale del ricevitore in uso.




Il telecomando non funziona.

- Controllare se la spia di accensione del proiettore davanti a destra sul proiettore lampeggia premendo il tasto di Accensione del telecomando. Se non lampeggia, sostituire le pile del telecomando.
- Verificare che le batterie siano state inserite nel verso giusto rispettando la polarità (+/-).
- Puntare il telecomando verso il proiettore a una distanza di 1,5 ~1,8 m.
- Se il proiettore è dotato di Samsung Smart Remote (telecomando Bluetooth), accertarsi che sia stato abbinato al proiettore.

Modifica della password del proiettore

 >  Impostazioni > Generali > Gestione sistema > Cambia PIN

1. Eseguire la funzione **Cambia PIN** e digitare la password nel relativo campo. La password predefinita è "0000" (Francia: "1111").
 2. Digitare una nuova password, quindi digitarla nuovamente per la conferma. La password è stata modificata.
- Qualora si sia dimenticato il codice PIN, premere i tasti nella sequenza seguente per ripristinare il codice PIN predefinito "0000" (Francia: "1111"):

Nel Samsung Smart Remote: Selezionare il tasto **+/-** (Volume). > **Aum. vol.** >  > **Dim. vol.** >  > **Aum. vol.** > .

06 Specifiche e altre informazioni

Specifiche

Modello	SP-LSP7TFA	SP-LSP9TFA
Risoluzione del display	3840 x 2160	
Obiettivo	Lenti fisse	
Dimensione immagine (diagonale)	90" ~ 120"	100" ~ 130"
Audio (Uscita)	30 W	40 W
Dimensioni (L x A x P)		
Corpo	532,0 x 119,1 x 342,0 mm	550,0 x 128,0 x 367,0 mm
Con piedino	532,0 x 132,7 x 342,0 mm	550,0 x 141,0 x 367,0 mm
Peso (con piedini)	9,1 kg	11,5 kg

Caratteristiche ambientali

Temperatura di esercizio	Da 10°C a 40°C (da 50°F a 104°F)
Umidità di esercizio	Dal 10% al 80%, senza condensa
Temperatura di stoccaggio	Da -20°C a 45°C (da -4°F a 113°F)
Umidità di stoccaggio	Dal 5% al 95%, senza condensa

Note

- Design e specifiche sono soggetti a modifiche senza preavviso.
- Questo prodotto è un'apparecchiatura digitale di Classe B.
- Per informazioni riguardanti l'alimentazione elettrica e il consumo di corrente, consultare l'etichetta apposta al prodotto.
 - Per le etichette e le indicazioni di precauzione relative al laser, vedere la parte inferiore del proiettore.
- Il consumo elettrico tipico viene misurato conformemente allo standard IEC 62087.
- Tutti i disegni non sono necessariamente in scala. Alcune dimensioni sono soggette a modifica senza preavviso. Vedere le dimensioni prima di procedere con l'installazione del proiettore. L'azienda non è responsabile per eventuali errori tipografici o di stampa.
- Per la connessione ad una LAN, usare un cavo CAT 7 (tipo STP*). (100/10 Mbps)
 - * Shielded Twisted Pair
- Le figure e le illustrazioni presenti in questo Manuale dell'utente sono fornite unicamente a titolo di riferimento e possono differire da quelle del prodotto attuale. Le specifiche e il design del prodotto possono variare senza preavviso.

Samsung non potrà essere ritenuta responsabile per danni a cose e persone o per problematiche legate alla sicurezza dovute a riparazioni non effettuate da Samsung o da un fornitore di servizi autorizzato da Samsung in accordo con le linee guida dell'azienda relative alla riparazione ed alla manutenzione dei propri prodotti. Qualsiasi danno causato al prodotto da personale non autorizzato durante un tentativo di riparazione non potrà essere coperto dalla garanzia convenzionale.

Si prega gentilmente di visitare il sito samsung.com/support per ulteriori informazioni sull'adattatore di alimentazione esterno e sul telecomando associati alla direttiva UE sulla progettazione ecocompatibile - Regolamento ErP

Riduzione del consumo energetico

Quando si spegne, il proiettore entra in modalità Standby. In modalità Standby continua a consumare una piccola quantità di energia. Per ridurre il consumo energetico, scollegare il cavo di alimentazione dalla presa a parete in caso di inutilizzo prolungato del proiettore.

Licenze



The terms HDMI and HDMI High-Definition Multimedia Interface, and the HDMI Logo are trademarks or registered trademarks of HDMI Licensing LLC in the United States and other countries.

Con la presente, Samsung dichiara che questo dispositivo radio è conforme ai requisiti essenziali della Direttiva 2014/53/UE e ad altre disposizioni pertinenti nel Regno Unito.

Il testo completo della Dichiarazione di conformità è disponibile al seguente indirizzo internet:

<http://www.samsung.com> accedere a Supporto e digitare il nome del modello.

L'uso di questo apparecchio è consentito in tutti i paesi europei e nel Regno Unito.

La funzione 5 GHz WLAN(Wi-Fi) di questo apparecchio può essere utilizzata solo in interno.

Max potenza trasmissione BT: 100mW a 2,4GHz – 2,4835GHz

Max potenza trasmissione Wi-Fi: 100mW a 2,4GHz-2,4835GHz, 200mW a 5,15GHz-5,25GHz, 100mW 5,25GHz-5,35GHz & 5,47GHz - 5,725GHz



Corretto smaltimento del prodotto (rifiuti elettrici ed elettronici)
(Applicabile nei Paesi con sistemi di raccolta differenziata)

Il simbolo (un contenitore della spazzatura su ruote barrato accompagnato da una barra piena orizzontale) riportato sul prodotto, sull'imballaggio, sulle istruzioni per l'uso e sulla garanzia, anche se in formato digitale, indica che il prodotto e i relativi accessori elettrici ed elettronici non devono essere smaltiti come rifiuti urbani misti al termine del ciclo di vita ma devono essere raccolti separatamente in modo da permetterne il riutilizzo, il riciclaggio e altre forme di recupero in conformità alla normativa vigente. I rifiuti derivanti da apparecchiature elettriche ed elettroniche possono, infatti, contenere sostanze dannose e pericolose che, se non correttamente gestite, costituiscono un pericolo per l'ambiente e la salute umana. L'utente ha, quindi, un ruolo attivo nel ciclo di recupero e riciclaggio dei rifiuti di apparecchiature elettriche ed elettroniche.

Al fine di evitare eventuali danni all'ambiente o alla salute causati da uno smaltimento non corretto, si invita pertanto l'utente a separare il prodotto e i suddetti accessori da altri tipi di rifiuti, conferendoli ai sistemi di ritiro e di raccolta autorizzati secondo le normative locali. Gli utenti domestici possono consegnare gratuitamente l'apparecchiatura che desiderano smaltire al distributore, al momento dell'acquisto di una nuova apparecchiatura di tipo equivalente. Presso i distributori di apparecchiature elettriche ed elettroniche con superficie di vendita di almeno 400 m² è inoltre possibile consegnare gratuitamente, senza obbligo di acquisto, i prodotti elettrici ed elettronici da smaltire con dimensioni esterne inferiori a 25 cm. Gli utenti professionali (imprese e professionisti) sono invitati a contattare il proprio fornitore e verificare i termini e le condizioni del contratto di acquisto.



Corretto smaltimento delle batterie del prodotto
(Applicabile nei Paesi con sistemi di raccolta differenziata)

Il simbolo riportato sulla pila, sull'accumulatore o sul pacco batterie o sulla sua documentazione o confezione (un bidone della spazzatura con ruote barrato da una croce) indica che la batteria, l'accumulatore o il pacco batteria non deve essere smaltito insieme al rifiuto urbano indifferenziato ma deve essere raccolto separatamente in modo da permetterne il trattamento, il riciclaggio e lo smaltimento in conformità alla normativa vigente, evitando in questo modo potenziali danni alla salute umana e all'ambiente. L'utilizzatore ha, quindi, un ruolo attivo nel riciclaggio di pile e accumulatori, potendo disfarsi dei relativi rifiuti nel più vicino punto di raccolta – organizzato e gestito in conformità alla normativa vigente – senza oneri e senza l'obbligo di acquistare nuove pile o nuovi accumulatori.

L'eventuale presenza, sotto il simbolo del bidone della spazzatura con ruote barrato da una croce, del simbolo chimico Hg, Cd o Pb indica che la pila o l'accumulatore contiene più di 0,0005 per cento di mercurio (simbolo chimico Hg), più di 0,002 per cento di cadmio (simbolo chimico Cd) o più di 0,004 per cento di piombo (simbolo chimico Pb).

SAMSUNG



BP81-00249M-01

Contact SAMSUNG WORLD WIDE

If you have any questions or comments relating to Samsung products, please contact the Samsung service centre.

Country	Samsung Service Centre ☎	Web Site
AUSTRIA	0800 72 67 864 (0800-SAMSUNG)	www.samsung.com/at/support
BELGIUM	02-201-24-18	www.samsung.com/be/support (Dutch) www.samsung.com/be_fr/support (French)
BOSNIA	055 233 999	www.samsung.com/ba/support
ALBANIA	045 620 202	www.samsung.com/al/support
BULGARIA	*3000 Цена на един градски разговор 0800 111 31 Безплатен за всички оператори	www.samsung.com/bg/support
CROATIA	072 726 786	www.samsung.com/hr/support
CZECH	800 - SAMSUNG (800-726786) Samsung Electronics Czech and Slovak, s.r.o. V Parku 2323/14, 148 00 - Praha 4	www.samsung.com/cz/support
DENMARK	707 019 70	www.samsung.com/dk/support
FINLAND	030-6227 515	www.samsung.com/fi/support
FRANCE	01 48 63 00 00	www.samsung.com/fr/support
GERMANY	06196 77 555 77	www.samsung.com/de/support
CYPRUS	8009 4000 only from landline, toll free	
GREECE	80111-SAMSUNG (80111 726 7864) only from land line (+30) 210 6897691 from mobile and land line	www.samsung.com/gr/support
HUNGARY	0680SAMSUNG (0680-726-7864)	www.samsung.com/hu/support
ITALIA	800-SAMSUNG (800.7267864)	www.samsung.com/it/support
LUXEMBURG	261 03 710	www.samsung.com/be_fr/support
MONTENEGRO	020 405 888	www.samsung.com/support
SLOVENIA	080 697 267 (brezplačna številka)	www.samsung.com/si/support
NETHERLANDS	088 90 90 100	www.samsung.com/nl/support
NORWAY	21629099	www.samsung.com/no/support
POLAND	801-172-678* lub +48 22 607-93-33* * (opłata według taryfy operatora)	www.samsung.com/pl/support
PORTUGAL	808 207 267	www.samsung.com/pt/support
ROMANIA	*8000 (apel in retea) 08008-726-78-64 (08008-SAMSUNG) Apel GRATUIT Atenție: Dacă efectuați apelul din rețeaua Digi (RCS/RDS), vă rugăm să ne contactați formând numărul Telverde fără ultimele două cifre, astfel: 0800872678.	www.samsung.com/ro/support
SERBIA	011 321 6899	www.samsung.com/rs/support
KOSOVO	0800 10 10 1	www.samsung.com/support
SLOVAKIA	0800 - SAMSUNG (0800-726 786)	www.samsung.com/sk/support
SPAIN	91 175 0015	www.samsung.com/es/support
SWEDEN	0771 726 786	www.samsung.com/se/support
SWITZERLAND	0800 726 786	www.samsung.com/ch/support (German) www.samsung.com/ch_fr/support (French)
UK	0333 000 0333	www.samsung.com/uk/support
IRELAND (EIRE)	0818 717100	www.samsung.com/ie/support
LITHUANIA	8-800-77777	www.samsung.com/lt/support
LATVIA	8000-7267	www.samsung.com/lv/support
ESTONIA	800-7267	www.samsung.com/ee/support
TURKEY	444 77 11	www.samsung.com/tr/support