



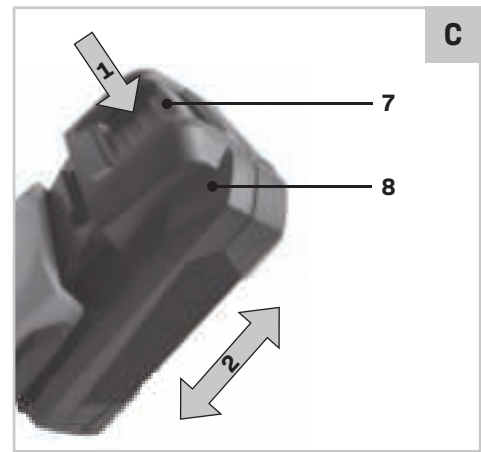
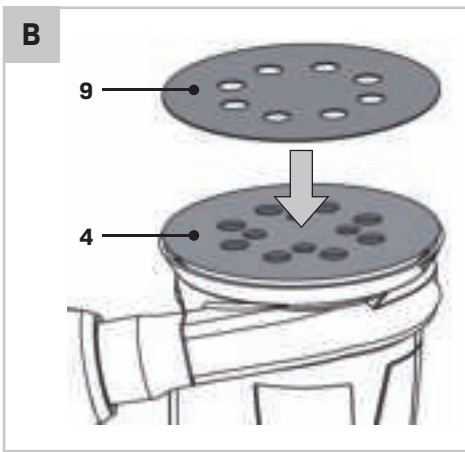
**VONROC®**

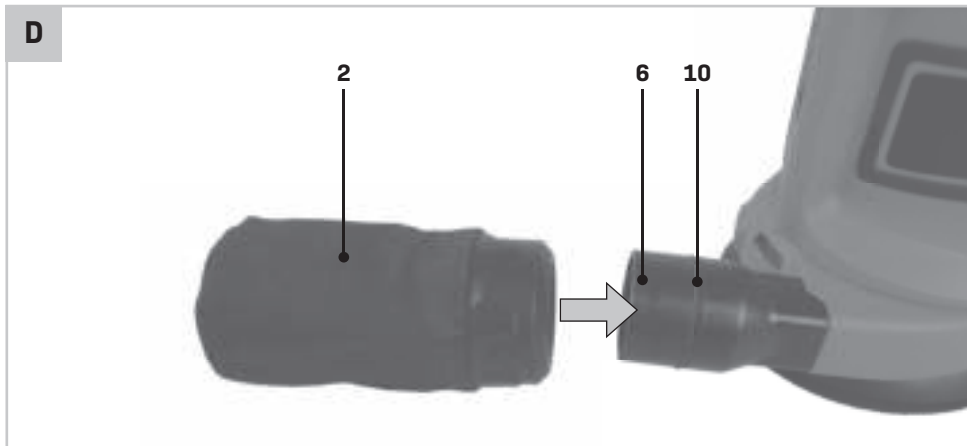
BUILD YOUR FUTURE

**RANDOM ORBITAL SANDER  
OS503DC / S\_OS503DC  
S2\_OS503DC / S3\_OS503DC**



<b>EN</b>	Original Instructions	04
<b>DE</b>	Übersetzung Der Originalbetriebsanleitung	10
<b>NL</b>	Vertaling van de oorspronkelijke gebruiksaanwijzing	18
<b>FR</b>	Traduction de la notice originale	25
<b>ES</b>	Traducción del manual original	32
<b>IT</b>	Traduzione delle istruzioni originali	39
<b>PL</b>	Tłumaczenie instrukcji oryginalnej	46





## 1. SAFETY INSTRUCTIONS

Read the enclosed safety warnings, the additional safety warnings and the instructions. Failure to follow the safety warnings and the instructions may result in electric shock, fire and/or serious injury. Save the safety warnings and the instructions for future reference.

The following symbols are used in the user manual or on the product:



*Read the user manual.*



*Denotes risk of personal injury, loss of life or damage to the tool in case of non-observance of the instructions in this manual.*



*Wear safety goggles.  
Wear hearing protection.*



*Wear a dust mask.*



*Time-lag miniature fuse-link.*



*Max temperature 45°C.*



*Do not throw the battery into fire.*



*Do not throw the battery into water.*



*Do not dispose of the product in unsuitable containers.*



*Separate collection for Li-ion battery.*



*The product is in accordance with the applicable safety standards in the European directives.*

### GENERAL POWER TOOL SAFETY WARNINGS



**WARNING! Read all safety warnings and all instructions.** Failure to follow the warnings and instructions may result in electric shock, fire and/or serious injury.

**Save all warnings and instructions for future reference.**

The term “power tool” in the warnings refers to your mains-operated (corded) power tool or battery-operated (cordless) power tool.

#### 1) Work area safety

- a) **Keep the work area clean and well lit.** Cluttered or dark areas invite accidents.
- b) **Do not operate power tools in explosive atmospheres, such as in the presence of flammable liquids, gases or dust.** Power tools create sparks which may ignite the dust or fumes.
- c) **Keep children and bystanders away while operating a power tool.** Distractions can cause you to lose control.

#### 2) Electrical safety

- a) **Power tool plugs must match the outlet. Never modify the plug in any way. Do not use any adapter plugs with earthed (grounded) power tools.** Unmodified plugs and matching outlets will reduce risk of electric shock.
- b) **Avoid body contact with earthed or grounded surfaces, such as pipes, radiators, ranges and refrigerators.** There is an increased risk of electric shock if your body is earthed or grounded.
- c) **Do not expose power tools to rain or wet conditions.** Water entering a power tool will increase the risk of electric shock.
- d) **Do not abuse the cord. Never use the cord for carrying, pulling or unplugging the power tool. Keep cord away from heat, oil, sharp edges or moving parts.** Damaged or entangled cords increase the risk of electric shock.
- e) **When operating a power tool outdoors, use an extension cord suitable for outdoor use.** Use of a cord suitable for outdoor use reduces the risk of electric shock.
- f) **If operating a power tool in a damp location is unavoidable, use a residual current device (RCD) protected supply.** Use of an RCD reduces the risk of electric shock.

#### 3) Personal safety

- a) **Stay alert, watch what you are doing and use common sense when operating a power tool. Do not use a power tool while you are tired or under the influence of drugs, alcohol or medication.** A moment of inattention while operating power tools may result in serious personal injury.
- b) **Use personal protective equipment. Always wear eye protection.** Protective equipment such as dust mask, non-skid safety shoes, hard hat, or hearing protection used for appropriate conditions will reduce personal injuries.
- c) **Prevent unintentional starting. Ensure the**

**switch is in the off-position before connecting to power source and/or battery pack, picking up or carrying the tool.** Carrying power tools with your finger on the switch or energising power tools that have the switch on invites accidents.

- d) **Remove any adjusting key or wrench before turning the power tool on.** A wrench or a key left attached to a rotating part of the power tool may result in personal injury.
  - e) **Do not overreach. Keep proper footing and balance at all times.** This enables better control of the power tool in unexpected situations.
  - f) **Dress properly. Do not wear loose clothing or jewellery. Keep your hair, clothing and gloves away from moving parts.** Loose clothes, jewellery or long hair can be caught in moving parts.
  - g) **If devices are provided for the connection of dust extraction and collection facilities, ensure these are connected and properly used.** Use of dust collection can reduce dust related hazards.
  - h) **Do not let familiarity gained from frequent use of tools allow you to become complacent and ignore tool safety principles.** A careless action can cause severe injury within a fraction of a second.
- 4) Power tool use and care**
- a) **Do not force the power tool. Use the correct power tool for your application.** The correct power tool will do the job better and safer at the rate for which it was designed.
  - b) **Do not use the power tool if the switch does not turn it on and off.** Any power tool that cannot be controlled with the switch is dangerous and must be repaired.
  - c) **Disconnect the plug from the power source and/or the battery pack from the power tool before making any adjustments, changing accessories, or storing power tools.** Such preventive safety measures reduce the risk of starting the power tool accidentally.
  - d) **Store idle power tools out of the reach of children and do not allow persons unfamiliar with the power tool or these instructions to operate the power tool.** Power tools are dangerous in the hands of untrained users.
  - e) **Maintain power tools. Check for misalignment or binding of moving parts, breakage of parts and any other condition that may affect the power tool's operation. If damaged, have the power tool repaired before use.** Many accidents are caused by poorly maintained power tools.

- f) **Keep cutting tools sharp and clean.** Properly maintained cutting tools with sharp cutting edges are less likely to bind and are easier to control.
- g) **Use the power tool, accessories and tool bits etc. in accordance with these instructions, taking into account the working conditions and the work to be performed.** Use of the power tool for operations different from those intended could result in a hazardous situation.
- h) **Keep handles and grasping surfaces dry, clean and free from oil and grease.** Slippery handles and grasping surfaces do not allow for safe handling and control of the tool in unexpected situations.

#### **5) Battery tool use and care**

- a) **Recharge only with the charger specified by the manufacturer.** A charger that is suitable for one type of battery pack may create a risk of fire when used with another battery pack.
- b) **Use power tools only with specifically designed battery packs.** Use of any other battery packs may create a risk of injury and fire.
- c) **When battery pack is not in use, keep it away from other metal objects, like paper clips, coins, keys, nails, screws or other small metal objects that can make a connection from one terminal to another.** Shorting the battery terminals together may cause burns or a fire.
- d) **Under abusive conditions, liquid may be ejected from the battery; avoid contact. If contact accidentally occurs, flush with water. If liquid contacts eyes, additionally seek medical help.** Liquid ejected from the battery may cause irritation or burns.
- e) **Do not use a battery pack or tool that is damaged or modified.** Damaged or modified batteries may exhibit unpredictable behaviour resulting in fire, explosion or risk of injury.
- f) **Do not expose a battery pack or tool to fire or excessive temperature.** Exposure to fire or temperature above 130 °C may cause explosion. NOTE The temperature „130 °C“ can be replaced by the temperature „265 °F“.
- g) **Follow all charging instructions and do not charge the battery pack or tool outside the temperature range specified in the instructions.** Charging improperly or at temperatures outside the specified range may damage the battery and increase the risk of fire.

**6) Service**

- a) **Have your power tool serviced by a qualified repair person using only identical replacement parts.** This will ensure that the safety of the power tool is maintained.
- b) **Never service damaged battery packs.** Service of battery packs should only be performed by the manufacturer or authorized service providers.

**ADDITIONAL SAFETY WARNINGS FOR ORBITAL SANDERS**

*Contact with or inhalation of dust coming free during use (e.g. lead-painted surfaces, wood and metal) can endanger your health and the health of bystanders. Always wear appropriate protective equipment, such as a dust mask. Always use proper dust extraction during use.*

- Do not work materials containing asbestos. Asbestos is considered carcinogenic.
- Do not use the machine for sanding magnesium workpieces.
- Wear safety goggles. Wear hearing protection. If necessary, use other protective means, such as safety gloves, safety shoes, etc.
- Hold the machine by the insulated gripping surfaces where the accessory may contact hidden wiring or the mains cable. If the accessory contacts a 'live' wire, the exposed metal parts of the machine can also become 'live'. Risk of electric shock.
- Be very careful when sanding painted surfaces.
- Before use, remove all nails and other metal objects from the workpiece.
- Make sure that the workpiece is properly supported or fixed.
- Only use sanding paper that is suitable for use with the machine.
- Only use sanding paper with the correct dimensions. Make sure that the sanding paper is properly mounted.
- Inspect the sanding paper before each use. Do not use sanding paper that is worn because of prolonged use.
- Never put the machine down on a table or a workbench before it has been switched off.

**SAFETY WARNINGS FOR BATTERY**

- a) **Do not open the battery.** Danger of short-circuiting.
- b) **Protect the battery against heat, e. g., against continuous intense sunlight, fire, water, and moisture.** Danger of explosion.
- c) **In case of damage and improper use of the battery, vapours may be emitted. Ventilate the area and seek medical help in case of complaints.** The vapours can irritate the respiratory system.
- d) **Use the battery only in conjunction with your Vonroc product.** This measure alone protects the battery against dangerous overload.
- e) **The battery can be damaged by pointed objects such as nails or screwdrivers or by force applied externally.** An internal short circuit can occur and the battery can burn, smoke, explode or overheat.

**SAFETY WARNINGS FOR CHARGER****Intended use**

Charge only CD801AA and CD803AA type rechargeable Battery packs with the charger. Other types of batteries may burst causing personal injury and damage.

- a) **The appliance is not to be used by persons (including children) with reduced physical, sensory or mental capabilities, or lack of experience and knowledge, unless they have been given supervision or instruction.**
- b) **Children being supervised not to play with the appliance.**
- c) **Do not recharging non-rechargeable batteries!**
- d) **During charging, batteries must be placed in the well ventilated area!**

**Electrical safety**

*Always check that the voltage of the power supply corresponds to the voltage on the rating plate.*

- Do not use the machine if the mains cable or the mains plug is damaged.
- Only use extension cables that are suitable for the power rating of the machine with a minimum thickness of 1.5 mm<sup>2</sup>. If you use an extension cable reel, always fully unroll the cable.

## 2. MACHINE INFORMATION

### Intended use

The machine is designed for sanding wood, plastics and metal. This machine is suitable only for dry sanding. The machine is not suitable for processing objects containing asbestos. Improper use may damage the tool.

### TECHNICAL SPECIFICATIONS



*This manual has been drawn up for different sets / article numbers. Check the corresponding article number in below specifications table for the correct composition and contents of your set.*

Model No.	OS503DC	S_ OS503DC	S2_ OS503DC	S3_ OS503DC
Batteries included	-	CD801AA	2 x CD801AA	CD803AA
Chargers included	-	CD802AA		
Voltage	20V			
No load speed	5.000-10.000/min			
Sanding pad diameter	125mm			
Weight	1.20 kg			
Sound pressure level LPA	77.1 dB(A), K=3dB(A)			
Sound power level LWA	88.1 dB(A), K=3dB(A)			
Vibration	7.511 m/s <sup>2</sup> K=1.5 m/s <sup>2</sup>			

Model No.	CD801AA
Battery Type	Lithium-Ion
Voltage	20V
Capacity	2.0 Ah
Recommended charger	CD802AA
Weight	0.3 kg

Model No.	CD803AA
Battery Type	Lithium-Ion
Voltage	20V
Capacity	4.0 Ah
Recommended charger	CD802AA
Weight	0.65 kg

Model No.	CD802AA
Charger input	220-240V, 50Hz 0.4A
Charger output	21V  2.5A
Charging time 2Ah battery	60 minutes
Charging time 4Ah battery	120 minutes
Recommended batteries	CD801AA, CD803AA
Weight	0.36 kg

Only use the following batteries of the VONROC VPOWER 20V battery platform. Using any other batteries could cause serious injury or damage the tool.

CD801AA                    20V, 2Ah Lithium-Ion  
 CD803AA                    20V, 4Ah Lithium-Ion

The following charger of the can be used to charge these batteries.

CD802AA                    Quick charger

The batteries of the VONROC VPOWER 20V battery platform are interchangeable with all the VONROC VPOWER 20V battery platform tools.

### Vibration level

The vibration emission level stated in this instruction manual has been measured in accordance with a standardised test given in EN 62841; it may be used to compare one tool with another and as a preliminary assessment of exposure to vibration when using the tool for the applications mentioned:

- using the tool for different applications, or with different or poorly maintained accessories, may significantly increase the exposure level
- the times when the tool is switched off or when it is running but not actually doing the job, may significantly reduce the exposure level.

Protect yourself against the effects of vibration by maintaining the tool and its accessories, keeping your hands warm, and organizing your work patterns.

### DESCRIPTION

The numbers in the text refer to the diagrams on page 2 and 3.

1. On/off switch
2. Dust bag
3. Speed adjustment wheel
4. Sanding pad

- 5A. Upper grip
- 5B. Lower grip
6. Dust extraction port
7. Battery unlock button
8. Battery
9. Sanding paper
10. Rubber ring
11. Battery LED indicators button
12. Battery LED indicators
13. Charger
14. Charger LED indicators
- 15A. Vacuum connection
- 15B. Vacuum adapter

### 3. ASSEMBLY



*Before any work on the power tool, remove the battery.*



*The battery must be charged before first use.*

#### Inserting the battery into the machine (Fig. C)



*Ensure that the exterior of the battery is clean and dry before connecting to the charger or machine.*

1. Insert the battery (8) into the base of the machine as shown in Fig. C.
2. Push the battery further forward until it clicks into place.

#### Removing the battery from the machine (Fig. C)

1. Push the battery unlock button (7).
2. Pull the battery out of the machine like shown in Fig. C.

#### Checking the battery charging status (Fig. E)

- To check the battery charge status, push the button (11) on battery shortly.
- The battery has 3 lights indicating the charge level, the more lights that burn, the more charge the battery has left.
- When the lights are not burning it means the battery is empty and must be charged immediately.

#### Charging the battery with the charger (Fig. E)

1. Take the battery (8) from the machine.
2. Turn the battery (8) to upside down position and slide it onto the charger (13) as shown in Fig. E.
3. Push the battery until it is fully pushed into the slot.

4. Plug the charger plug into an electrical outlet and wait for a while. The LED indicators on the charger (13) will lighten up and show the charger status.

**The charger has 2 LED indicators (14) which indicate the status of the charging process:**

Red LED Status	Green LED status	Charger status
Off	Off	No power
Off	On	Standby mode: - No battery is inserted or, - Battery inserted but charging has finished
On	Off	Battery charging in progress

- Fully charging the 2Ah battery may take up to 60 minutes.
- Fully charging the 4Ah battery may take up to 120 minutes.

After the battery is fully charged remove the charger plug from the outlet and remove the battery from the charger.



*When the machine is not being used over a longer period of time it is best to store the battery in charged condition.*

#### External dust extraction

The vacuum connection (15A) allows a vacuum cleaner to be attached to the machine. Also included is a vacuum adapter (15B), which allows use of smaller diameter vacuum pipes.

#### Connecting the dust bag (Fig. D)

It is highly recommended to use the machine with the dust bag (2), ensuring optimal dust collection.

- Slide the dust bag (2) onto the dust extraction port (6) using a slight twisting motion.
- Keep sliding in twisting motion until the dust bag (2) is positioned slightly over the rubber ring (10), fixing it in place.

**Note:** The dust bag should be emptied when the bag is half full to maintain optimal dust collection.



**Mounting and removing the sanding paper (Fig. B)**

- Hold the machine on its side or upside down.
- Mount sanding paper (9) with the required grain size onto the sanding pad (4). Make sure that the perforation in the sanding paper (9) corresponds with the perforation on the sanding pad (4).
- To remove the sanding paper (9), simply pull the sanding paper from the sanding pad (4).

**Note:** Use coarse sanding paper for sanding rough, uneven surfaces. Use medium sanding paper for removing the remaining scratches from the coarse sanding paper. Use fine sanding paper for finishing surfaces.

**4. OPERATION****Switching on and off (Fig. A)**

- To switch on the machine, press the on/off switch (1) into position I.
- To switch off the machine, press the on/off switch (1) into position 0.

**Setting the speed (Fig. A)**

The speed adjustment wheel (3) is used for setting the speed. The speed adjustment wheel can be set to 6 positions. The ideal speed depends on the required grain size and on the material to be worked.

**Hints for optimum use**

- Clamp the workpiece.
- Firmly hold the machine with both hands.
- Switch on the machine.
- Place the sanding pad with sanding paper on the workpiece.
- Slowly move the machine over the workpiece, firmly pressing the sanding pad against the workpiece.
- Do not apply too much pressure on the machine. Let the machine do the work.
- Switch off the machine and wait for the machine to come to a complete standstill before putting the machine down.

**5. MAINTENANCE**

*Before cleaning and maintenance, always switch off the machine and remove the battery pack from the machine.*

Clean the machine casings regularly with a soft cloth, preferably after each use. Make sure that the ventilation openings are free of dust and dirt. Remove very persistent dirt using a soft cloth moistened with soapsuds. Do not use any solvents such as gasoline, alcohol, ammonia, etc. Chemicals such as these will damage the synthetic components.

**ENVIRONMENT**

*Faulty and/or discarded electrical or electronic apparatus have to be collected at the appropriate recycling locations.*

**Only for EC countries**

Do not dispose of power tools into domestic waste. According to the European Guideline 2012/19/EC for Waste Electrical and Electronic Equipment and its implementation into national right, power tools that are no longer usable must be collected separately and disposed of in an environmentally friendly way.

**WARRANTY**

VONROC products are developed to the highest quality standards and are guaranteed free of defects in both materials and workmanship for the period lawfully stipulated starting from the date of original purchase. Should the product develop any failure during this period due to defective material and/or workmanship then contact VONROC directly.

The following circumstances are excluded from this guarantee:

- Repairs and or alterations have been made or attempted to the machine by unauthorized service centers;
- Normal wear and tear;
- The tool has been abused, misused or improperly maintained;
- Non-original spare parts have been used.

This constitutes the sole warranty made by company either expressed or implied. There are no other warranties expressed or implied which extend beyond the face hereof, herein, including the implied warranties of merchantability and fitness for a particular purpose. In no event shall VONROC be liable for any incidental or consequential damages. The dealers remedies shall be limited to repair or replacement of nonconforming units or parts.

The product and the user manual are subject to change. Specifications can be changed without further notice.

## 1. SICHERHEITSANWEISUNGEN

Lesen Sie die beiliegenden Sicherheitsanweisungen, die zusätzlichen Sicherheitsanweisungen sowie diese Bedienungsanleitung sorgfältig durch. Bei Nichtbeachten der Sicherheitsanweisungen und der Bedienungsanleitung kann es zu einem Stromschlag, einem Brand und/oder schweren Verletzungen kommen. Bewahren Sie die Sicherheitsanweisungen und die Bedienungsanleitung zur künftigen Bezugnahme sicher auf.

Folgende Symbole werden im Benutzerhandbuch oder auf dem Produkt verwendet:



*Benutzerhandbuch/Bedienungsanleitung lesen.*



*Lebens- und Verletzungsgefahr und Gefahr von Beschädigungen am Werkzeug/Gerät bei Nichteinhaltung der Anweisungen in dieser Bedienungsanleitung.*



*Tragen Sie eine Schutzbrille.  
Tragen Sie einen Gehörschutz.*



*Tragen Sie eine Staubmaske.*



*Sicherungseinsatz für träge Sicherungen.*



*Höchsttemperatur 45°C.*



*Batterien/Akkus nicht in offene Feuer werfen.*



*Batterien/Akkus nicht ins Wasser werfen.*



*Entsorgen Sie das Produkt nicht in hierfür nicht vorgesehenen Abfallbehältern.*



*Der Li-Ionen-Akku muss separat der Wertstoffsammlung zugeführt werden.*



*Das Produkt entspricht den geltenden Sicherheitsnormen der europäischen Richtlinien.*

## ALLGEMEINE SICHERHEITSHINWEISE



**WARNUNG** Lesen Sie alle *Sicherheitshinweise, Anweisungen, Bilderungen und technischen Daten, mit denen dieses Elektrowerkzeug versehen ist. Versäumnisse bei der Einhaltung der nachfolgenden Anweisungen können elektrischen Schlag, Brand und/oder schwere Verletzungen verursachen.*

### Bewahren Sie alle Sicherheitshinweise und Anweisungen für die Zukunft auf.

Der in den Sicherheitshinweisen verwendete Begriff „Elektrowerkzeug“ bezieht sich auf netzbetriebene Elektrowerkzeuge (mit Netzleitung) oder auf akkubetriebene Elektrowerkzeuge (ohne Netzleitung).

#### 1) Arbeitsplatzsicherheit

- a) **Halten Sie Ihren Arbeitsbereich sauber und gut beleuchtet.** Unordnung oder unbeleuchtete Arbeitsbereiche können zu Unfällen führen.
- b) **Arbeiten Sie mit dem Elektrowerkzeug nicht in explosionsgefährdeter Umgebung, in der sich brennbare Flüssigkeiten, Gase oder Stäube befinden.** Elektrowerkzeuge erzeugen Funken, die den Staub oder die Dämpfe entzünden können.
- c) **Halten Sie Kinder und andere Personen während der Benutzung des Elektrowerkzeugs fern.** Bei Ablenkung können Sie die Kontrolle über das Elektrowerkzeug verlieren.

#### 2) Elektrische Sicherheit

- a) **Der Anschlussstecker des Elektrowerkzeugs muss in die Steckdose passen. Der Stecker darf in keiner Weise verändert werden. Verwenden Sie keine Adapterstecker gemeinsam mit schutzgeerdeten Elektrowerkzeugen.** Unveränderte Stecker und passende Steckdosen verringern das Risiko eines elektrischen Schlages.
- b) **Vermeiden Sie Körperkontakt mit geerdeten Oberflächen wie von Rohren, Heizungen, Herden und Kühlschränken.** Es besteht ein erhöhtes Risiko durch elektrischen Schlag, wenn Ihr Körper geerdet ist.
- c) **Halten Sie Elektrowerkzeuge von Regen oder Nässe fern.** Das Eindringen von Wasser in ein Elektrowerkzeug erhöht das Risiko eines elektrischen Schlages.
- d) **Zweckentfremden Sie die Anschlussleitung**

nicht, um das Elektrowerkzeug zu tragen, aufzuhängen oder um den Stecker aus der Steckdose zu ziehen. Halten Sie die Anschlussleitung fern von Hitze, Öl, scharfen Kanten oder sich bewegenden Teilen. Beschädigte oder verwickelte Anschlussleitungen erhöhen das Risiko eines elektrischen Schlages.

- e) **Wenn Sie mit einem Elektrowerkzeug im Freien arbeiten, verwenden Sie nur Verlängerungsleitungen, die auch für den Außenbereich geeignet sind.** Die Anwendung einer für den Außenbereich geeigneten Verlängerungsleitung verringert das Risiko eines elektrischen Schlages.
  - f) **Wenn der Betrieb des Elektrowerkzeugs in feuchter Umgebung nicht vermeidbar ist, verwenden Sie einen Fehlerstromschutzschalter.** Der Einsatz eines Fehlerstromschutzschalters vermindert das Risiko eines elektrischen Schlages.
- #### 3) Sicherheit von Personen
- a) **Seien Sie aufmerksam, achten Sie darauf, was Sie tun, und gehen Sie mit Vernunft an die Arbeit mit einem Elektrowerkzeug. Benutzen Sie kein Elektrowerkzeug, wenn Sie müde sind oder unter dem Einfluss von Drogen, Alkohol oder Medikamenten stehen.** Ein Moment der Unachtsamkeit beim Gebrauch des Elektrowerkzeugs kann zu ernsthaften Verletzungen führen.
  - b) **Tragen Sie persönliche Schutzausrüstung und immer eine Schutzbrille.** Das Tragen persönlicher Schutzausrüstung, wie Staubmaske, rutschfeste Sicherheitsschuhe, Schutzhelm oder Gehörschutz, je nach Art und Einsatz des Elektrowerkzeugs, verringert das Risiko von Verletzungen.
  - c) **Vermeiden Sie eine unbeabsichtigte Inbetriebnahme. Vergewissern Sie sich, dass das Elektrowerkzeug ausgeschaltet ist, bevor Sie es an die Stromversorgung und/oder den Akku anschließen, es aufnehmen oder tragen.** Wenn Sie beim Tragen des Elektrowerkzeugs den Finger am Schalter haben oder das Elektrowerkzeug eingeschaltet an die Stromversorgung anschließen, kann dies zu Unfällen führen.
  - d) **Entfernen Sie Einstellwerkzeuge oder Schraubenschlüssel, bevor Sie das Elektrowerkzeug einschalten.** Ein Werkzeug oder Schlüssel, der sich in einem drehenden Teil des Elektrowerkzeugs befindet, kann zu Verletzungen führen.
  - e) **Vermeiden Sie eine abnormale Körperhaltung. Sorgen Sie für einen sicheren Stand und halten**

**Sie jederzeit das Gleichgewicht.** Dadurch können Sie das Elektrowerkzeug in unerwarteten Situationen besser kontrollieren.

- f) **Tragen Sie geeignete Kleidung. Tragen Sie keine weite Kleidung oder Schmuck. Halten Sie Haare und Kleidung fern von sich bewegenden Teilen.** Lockere Kleidung, Schmuck oder lange Haare können von sich bewegenden Teilen erfasst werden.
  - g) **Wenn Staubabsaug- und -auffangeinrichtungen montiert werden können, sind diese anzuschließen und richtig zu verwenden.** Verwendung einer Staubabsaugung kann Gefährdungen durch Staub verringern.
  - h) **Wiegen Sie sich nicht in falscher Sicherheit und setzen Sie sich nicht über die Sicherheitsregeln für Elektrowerkzeuge hinweg, auch wenn Sie nach vielfachem Gebrauch mit dem Elektrowerkzeug vertraut sind.** Achtloses Handeln kann binnen Sekundenbruchteilen zu schweren Verletzungen führen.
- 4) Verwendung und Behandlung des Elektrowerkzeugs**
- a) **Überlasten Sie das Elektrowerkzeug nicht. Verwenden Sie für Ihre Arbeit das dafür bestimmte Elektrowerkzeug.** Mit dem passenden Elektrowerkzeug arbeiten Sie besser und sicherer im angegebenen Leistungsbereich.
  - b) **Benutzen Sie kein Elektrowerkzeug, dessen Schalter defekt ist.** Ein Elektrowerkzeug, das sich nicht mehr ein- oder ausschalten lässt, ist gefährlich und muss repariert werden.
  - c) **Ziehen Sie den Stecker aus der Steckdose und/oder entfernen Sie einen abnehmbaren Akku, bevor Sie Geräteeinstellungen vornehmen, Einsatzwerkzeugteile wechseln oder das Elektrowerkzeug weglegen.** Diese Vorsichtsmaßnahme verhindert den unbeabsichtigten Start des Elektrowerkzeugs.
  - d) **Bewahren Sie unbenutzte Elektrowerkzeuge außerhalb der Reichweite von Kindern auf. Lassen Sie keine Personen das Elektrowerkzeug benutzen, die mit diesem nicht vertraut sind oder diese Anweisungen nicht gelesen haben.** Elektrowerkzeuge sind gefährlich, wenn sie von unerfahrenen Personen benutzt werden.
  - e) **Pflegen Sie Elektrowerkzeuge und Einsatzwerkzeug mit Sorgfalt. Kontrollieren Sie, ob bewegliche Teile einwandfrei funktionieren und nicht klemmen, ob Teile gebrochen oder**
- so beschädigt sind, dass die Funktion des Elektrowerkzeugs beeinträchtigt ist. Lassen Sie beschädigte Teile vor dem Einsatz des Elektrowerkzeugs reparieren.** Viele Unfälle haben ihre Ursache in schlecht gewarteten Elektrowerkzeugen.
- f) **Halten Sie Schneidwerkzeuge scharf und sauber.** Sorgfältig gepflegte Schneidwerkzeuge mit scharfen Schneidkanten verklemmen sich weniger und sind leichter zu führen.
  - g) **Verwenden Sie Elektrowerkzeug, Zubehör, Einsatzwerkzeuge usw. entsprechend diesen Anweisungen. Berücksichtigen Sie dabei die Arbeitsbedingungen und die auszuführende Tätigkeit.** Der Gebrauch von Elektrowerkzeugen für andere als die vorgesehenen Anwendungen kann zu gefährlichen Situationen führen.
  - h) **Halten Sie Griffe und Griffflächen trocken, sauber und frei von Öl und Fett.** Rutschige Griffe und Griffflächen erlauben keine sichere Bedienung und Kontrolle des Elektrowerkzeugs in unvorhergesehenen Situationen.
- 5) Verwendung und Behandlung des Akkuwerkzeugs**
- a) **Laden Sie die Akkus nur mit Ladegeräten auf, die vom Hersteller empfohlen werden.** Durch ein Ladegerät, das für eine bestimmte Art von Akku geeignet ist, besteht Brandgefahr, wenn es mit anderen Akkus verwendet wird.
  - b) **Verwenden Sie nur die dafür vorgesehenen Akkus in den Elektrowerkzeugen.** Der Gebrauch von anderen Akkus kann zu Verletzungen und Brandgefahr führen.
  - c) **Halten Sie den nicht benutzten Akku fern von Büroklammern, Münzen, Schlüsseln, Nägeln, Schrauben oder anderen kleinen Metallgegenständen, die eine Überbrückung der Kontakte verursachen könnten.** Ein Kurzschluss zwischen den Akkukontakten kann Verbrennungen oder Feuer zur Folge haben.
  - d) **Bei falscher Anwendung kann Flüssigkeit aus dem Akku austreten. Vermeiden Sie den Kontakt damit. Bei zufälligem Kontakt mit Wasser abspülen. Wenn die Flüssigkeit in die Augen kommt, nehmen Sie zusätzlich ärztliche Hilfe in Anspruch.** Austretende Akkuflüssigkeit kann zu Hautreizungen oder Verbrennungen führen.
  - e) **Benutzen Sie keinen beschädigten oder veränderten Akku.** Beschädigte oder veränderte Akkus können sich unvorhersehbar verhalten und zu

Feuer, Explosion oder Verletzungsgefahr führen.

- f) **Setzen Sie einen Akku keinem Feuer oder zu hohen Temperaturen aus.** Feuer oder Temperaturen über 130 °C können eine Explosion hervorrufen.
- g) **Befolgen Sie alle Anweisungen zum Laden und laden Sie den Akku oder das Akkuwerkzeug niemals außerhalb des in der Betriebsanleitung angegebenen Temperaturbereichs.** Falsches Laden oder Laden außerhalb des zugelassenen Temperaturbereichs kann den Akku zerstören und die Brandgefahr erhöhen.

**6) Service**

- a) **Lassen Sie Ihr Elektrowerkzeug nur von qualifiziertem Fachpersonal und nur mit Original-Ersatzteilen reparieren.** Damit wird sichergestellt, dass die Sicherheit des Elektrowerkzeugs erhalten bleibt.
- b) **Warten Sie niemals beschädigte Akkus.** Sämtliche Wartung von Akkus sollte nur durch den Hersteller oder bevollmächtigte Kundendienststellen erfolgen.

**ZUSÄTZLICHE SICHERHEITSHINWEISE FÜR EXZENTERSCHLEIFER**



*Der Kontakt oder das Einatmen von Staub, der beim Gebrauch frei wird (z.B. mit bleihaltiger Farbe lackierte Oberflächen, Holz und Metall) kann Ihre eigene Gesundheit sowie die Gesundheit Anderer gefährden. Tragen Sie stets Schutz-ausrüstung, z.B. eine Staubmaske. Verwenden Sie beim Gebrauch stets eine entsprechende Staubabsaugung.*

- Bearbeiten Sie keine asbesthaltigen Materialien. Asbest wird als krebserregend eingestuft.
- Verwenden Sie die Maschine nicht zum Schleifen von Werkstücken aus Magnesium.
- Tragen Sie eine Schutzbrille. Tragen Sie einen Gehörschutz. Verwenden Sie ggf. Weitere Schutzmittel wie beispielsweise Schutzhandschuhe, Sicherheitsschuhe, usw.
- Halten Sie die Maschine an den isolierten Griffflächen, falls die Gefahr besteht, dass das Zubehör versteckte Leitungen oder das Netzkabel berühren könnte. Falls das Zubehör einen spannungsführenden Draht berührt, können die freiliegenden Metallteile der Maschine ebenfalls spannungsführend werden. Gefahr eines Stromschlags.
- Gehen Sie beim Schleifen von lackierten Oberflächen äußerst vorsichtig vor.
- Entfernen Sie vor dem Gebrauch alle Nägel und sonstigen Metallgegenstände aus dem Werkstück.
- Vergewissern Sie sich, dass das Werkstück richtig gestützt bzw. fixiert ist.
- Verwenden Sie nur Schleifpapier, das für den Gebrauch mit der Maschine geeignet sind.
- Verwenden Sie nur Schleifpapier mit den richtigen Maßen. Vergewissern Sie sich, dass das Schleifpapier richtig angebracht ist.
- Überprüfen Sie das Schleifpapier vor jedem Gebrauch. Verwenden Sie kein verschlissenes Schleifpapier, um es dadurch länger verwenden zu können.
- Legen Sie die Maschine niemals auf einem Tisch oder einer Werkbank ab, bevor sie nicht abgeschaltet wurde.

**SICHERHEITSHINWEISE FÜR AKKU**

- a) **Öffnen Sie den Akku nicht.** Es besteht die Gefahr eines Kurzschlusses.
- b) **Schützen Sie den Akku vor Hitze, z. B. auch vor dauernder Sonneneinstrahlung, Feuer, Wasser und Feuchtigkeit.** Es besteht Explosionsgefahr.
- c) **Bei Beschädigung und unsachgemäßem Gebrauch des Akkus können Dämpfe austreten. Führen Sie Frisch luft zu und suchen Sie bei Beschwerden einen Arzt auf.** Die Dämpfe können die Atemwege reizen.
- d) **Verwenden Sie den Akku nur in Verbindung mit Ihrem Vonroc Produkt.** Nur so wird der Akku vor gefährlicher Überlastung geschützt.
- e) **Durch spitze Gegenstände wie z. B. Nagel oder Schrau benzieher oder durch äußere Krafteinwirkung kann der Akku beschädigt werden.** Es kann zu einem internen Kurzschluss kommen und der Akku brennen, rauchen, ex plodieren oder überhitzen.

**SICHERHEITSHINWEISE FÜR DAS LADEGERÄT****Verwendungszweck**

Nur für das Laden von wiederaufladbaren Li-Ionen-Akkus des Typs CD801AA und CD803AA geeignet. Andere Arten von Akkus können platzen und zu Verletzungen und Schäden führen.

- Das Gerät darf nicht von Personen (einschließlich Kindern) mit eingeschränkten körperlichen, sensorischen bzw. geistigen Fähigkeiten, mangelnder Erfahrung bzw. fehlendem Wissen verwendet werden, wenn diese nicht beaufsichtigt werden oder eine Einweisung erhalten haben.**
- Kinder sollten beaufsichtigt werden, um sicherzustellen, dass sie nicht mit dem Gerät spielen.**
- Nicht wiederaufladbare Batterien dürfen nicht aufgeladen werden!**
- Während des Ladens müssen sich die Akkus in einem gut belüfteten Raum befinden!**

**Sicherheit bei Elektrizität**

Achten Sie stets darauf, dass die Spannung der Stromversorgung mit der Spannung auf dem Typenschild übereinstimmt.

- Verwenden Sie die Maschine nicht, wenn das Netzkabel oder der Netzstecker beschädigt ist.
- Verwenden Sie nur Verlängerungskabel, die für die Leistungsaufnahme der Maschine geeignet sind und eine Mindestaderstärke von 1,5 mm<sup>2</sup> haben. Falls Sie eine Kabeltrommel verwenden, rollen Sie das Kabel immer vollständig ab.

**2. ANGABEN ZUM WERKZEUG****Verwendungszweck**

Diese Maschine ist zum Schleifen von Holz, Kunststoffen und Metall vorgesehen. Diese Maschine ist nur zum Trockenschleifen geeignet. Diese Maschine ist nicht zum Bearbeiten von Gegenständen geeignet, die Asbest enthalten. Eine unsachgemäße Verwendung kann das Werkzeug beschädigen.

**TECHNISCHE DATEN**

Dieses Handbuch wurde für unterschiedliche Sets / Artikelnummern erstellt. Achten Sie in der Spezifikationstabelle mit den korrekten Zusammenstellungen und Inhalten für Ihr Set auf Ihre jeweilige Artikelnummer.

Modellnummer	OS503DC	S_ OS503DC	S2_ OS503DC	S3_ OS503DC
Batterien enthalten	-	CD801AA	2 x CD801AA	CD803AA
Ladegerät enthalten	-	CD802AA		
Netzspannung	20V			
Leerlaufdrehzahl	5.000-10.000/min			
Schleifkissen durchmesser	125mm			
Gewicht	1.20 kg			
Schalldruckpegel LPA	77.1 dB(A), K=3dB(A)			
Schalleistungspegel LWA	88.1 dB(A), K=3dB(A)			
Schwingung	7.511 m/s <sup>2</sup> K=1.5 m/s <sup>2</sup>			

Modellnummer	CD801AA
Akkutyp	Lithium-Ion
Spannung	20V
Kapazität	2.0 Ah
Empfohlene Ladegerate	CD802AA
Gewicht	0.3 kg

Modellnummer	CD803AA
Akkutyp	Lithium-Ion
Spannung	20V
Kapazität	4.0 Ah
Empfohlene Ladegerate	CD802AA
Gewicht	0.65 kg

Modellnummer	CD802AA
Ladegerät Eingang	220-240V, 50Hz 0.4A
Ladegerät Ausgang	21V  2.5A
Ladezeit 2Ah Akku	60 minutes
Ladezeit 4Ah Akku	120 minutes
Empfohlene Akkus	CD801AA, CD803AA
Gewicht	0.36 kg

Verwenden Sie nur folgende Akkus der VONROC VPOWER 20V-Akku-Plattform. Die Verwendung anderer Akkus kann zu schweren Verletzungen oder einer Beschädigung des Werkzeugs führen.

CD801AA 20V, 2Ah Lithium-Ion  
 CD803AA 20V, 4Ah Lithium-Ion

Folgendes Ladegerät ist zum Aufladen dieser Akkus vorgesehen.

CD802AA Schnellladegerät

Die Akkus der VONROC VPOWER 20V-Akku-Plattform sind unter allen Werkzeugen der VONROC VPOWER 20V-Akku-Plattform austauschbar.

**Vibrationsstufe**

Die im dieser Bedienungsanleitung angegebene Vibrationsemissionsstufe wurde mit einem standardisierten Test gemäß EN 62841 gemessen; Sie kann verwendet werden, um ein Werkzeug mit einem anderen zu vergleichen und als vorläufige Beurteilung der Vibrationsexposition bei Verwendung des Werkzeugs für die angegebenen Anwendungszwecke:

- die Verwendung des Werkzeugs für andere Anwendungen oder mit anderem oder schlecht gewartetem Zubehör kann die Expositionsstufe erheblich erhöhen.
- Zeiten, zu denen das Werkzeug ausgeschaltet ist, oder wenn es läuft aber eigentlich nicht eingesetzt wird, können die Expositionsstufe erheblich verringern.

Schützen Sie sich vor den Auswirkungen der Vibration durch Wartung des Werkzeugs und des Zubehörs, halten Sie Ihre Hände warm und organisieren Sie Ihren Arbeitsablauf.

**BESCHREIBUNG**

Die Buchstaben und Ziffern im folgenden Text weisen auf die Abbildungen auf Seite 2-3.

1. Ein-/Aus-Schalter
2. Staubsack
3. Geschwindigkeitseinstellrad
4. Schleifteller
- 5A. Oberer Griff
- 5B. Unterer Griff
6. Anschluss für Staubabsaugvorrichtung
7. Akku-Freigabetaste
8. Akku

9. Schleifpapier
10. Gummiring
11. Knopf für Akku-LED-Anzeigen
12. Akku-LED-Anzeigen
13. Ladegerät
14. Ladegerät-LED-Anzeigen
- 15A. Staubsaugeranschluss
- 15B. Staubsaugeradapter

**3. MONTAGE**



*Nehmen Sie vor allen Arbeiten am Elektrowerkzeug den Akku heraus.*



*Vor der ersten Verwendung muss der Akku aufgeladen werden.*

**Einsetzen des Akkus in das Werkzeug (Abb. C)**



*Überprüfen Sie, ob die Außenflächen des Akkus sauber und trocken sind, bevor Sie den Akku an das Ladegerät anschließen oder in das Werkzeug einsetzen.*

1. Setzen Sie den Akku (8) in das Gerät ein (Abb.C).
2. Drücken Sie den Akku soweit nach vorn, bis der Akku hörbar einrastet.

**Entnehmen des Akkus aus dem Werkzeug (Abb. C)**

1. Drücken Sie die Akku-Freigabetast (7)
2. Ziehen Sie den Akku aus dem Werkzeug, wie in Abb. C dargestellt.

**Überprüfen des Akkuladezustands (Abb. E)**

- Drücken Sie zum Überprüfen des Ladezustands kurz die Taste (11) auf dem Akku.
- Der Akku ist mit 3 Leuchten zur Anzeige des Ladezustands ausgestattet. Je mehr davon leuchten, desto höher der Ladezustand.
- Wenn keine der Leuchten an ist, bedeutet das, dass der Akku leer ist und sofort aufgeladen werden muss.

**Laden des Akkus über das Ladegerät (Abb. E)**

1. Entnehmen Sie den Akku (8) aus dem Werkzeug.
2. Drehen Sie den Akku (8) mit der Unterseite nach oben, und schieben Sie ihn in das Ladegerät (13), wie in Abb. E dargestellt.
3. Drücken Sie den Akku vollständig in die Aufnahme.

4. Stecken Sie den Netzstecker des Ladegerats in eine Steckdose, und warten Sie einen Moment. Die LED-Anzeigen am Ladegerat (13) leuchten zur Anzeige des Ladezustands auf.

**Das Ladegerat verfügt über 2 LED-Anzeige (14), die den Ladevorgang anzeigt:**

Rote LED	Grüne LED:	Status Ladegerät
Aus	Aus	Keine Stromversorgung
Aus	An	Standby-Modus: - Kein Akku eingelegt oder - Akku eingelegt, aber
An	Aus	Akku wird geladen

- Das vollständige Laden des 2Ah-Akkus kann bis zu 60 Minuten dauern.
- Das vollständige Laden des 4Ah-Akkus kann bis zu 120 Minuten dauern.

Ziehen Sie nach dem vollständigen Laden des Akkus den Stecker des Ladegerats aus der Netzsteckdose, und entnehmen Sie den Akku aus dem Ladegerat.



*Wenn das Werkzeug für einen längeren Zeitraum nicht verwendet wird, sollte das Werkzeug möglichst mit einem voll aufgeladenen Akku aufbewahrt werden.*

**Externe Staubabsaugung**

Der Staubsaugeranschluss (15A) ermöglicht das Anbringen eines Staubsaugers an der Maschine. Ebenfalls enthalten ist ein Staubsaugeradapter (15B), der die Verwendung von Staubsaugerrohren mit kleinerem Durchmesser ermöglicht.

**Anschließen des Staubbeutels (Abb. D)**

Es wird dringend empfohlen, die Maschine mit dem Staubbeutel (2) zu verwenden, um eine optimale Staubsammlung zu gewährleisten.

- Schieben Sie den Staubbeutel (2) mit einer leichten Drehbewegung auf den Staubabsauganschluss (6).
- Schieben Sie den Staubbeutel (2) mit einer Drehbewegung weiter, bis er ein Stück weit über dem Gummiring (10) sitzt, an dem er arretiert wird.

**Hinweis:** Der Staubbehälter sollte entleert werden, wenn er zur Hälfte gefüllt ist, um eine optimale Staubsammlung zu gewährleisten.

**Anbringen und Entfernen von Schleifpapier (Abb. B)**

- Halten Sie die Maschine seitlich oder umgedreht.
- Bringen Sie Schleifpapier (9) mit der gewünschten Körnung auf den Schleifkissen (4) an. Stellen Sie sicher, dass die Perforation im Schleifpapier (9) mit der Perforation auf dem Schleifkissen (4) übereinstimmt
- Um das Schleifpapier (9) zu entfernen, ziehen Sie einfach das Schleifpapier vom Schleifkissen (4) ab.

**Hinweis:** Verwenden Sie grobes Schleifpapier zum Schleifen von rauen, unebenen Oberflächen. Verwenden Sie mittleres Schleifpapier, um Spuren von grobem Schleifpapier auszugleichen. Verwenden Sie feines Schleifpapier zur Endbearbeitung von Oberflächen.

**4. BETRIEB**

**Ein- und Ausschalten (Abb. A)**

- Zum Einschalten der Maschine drücken Sie den Ein-/Ausschalter (1) in Position I.
- Zum Ausschalten der Maschine drücken Sie den Ein-/Ausschalter (1) in Position 0.

**Einstellung der Geschwindigkeit (Abb. A)**

Das Geschwindigkeitseinstellrad (3) wird zur Einstellung der Geschwindigkeit verwendet. Das Geschwindigkeitseinstellrad kann auf 6 Positionen eingestellt werden. Die ideale Geschwindigkeit hängt von der erforderlichen Körnung sowie von dem zu bearbeitenden Material ab.

**Ratschläge für optimale Arbeitsergebnisse**

- Spannen Sie das Werkstück ein.
- Halten Sie die Maschine mit beiden Händen fest.
- Schalten Sie die Maschine ein.
- Legen Sie den Schleifteller mit dem Schleifpapier auf das Werkstück.
- Bewegen Sie die Maschine langsam über das Werkstück, wobei Sie den Schleifteller fest gegen das Werkstück drücken.
- Üben Sie nicht zu viel Druck auf die Maschine aus. Lassen Sie die Maschine die Arbeit verrichten.



- Schalten Sie die Maschine aus und warten Sie, bis sie vollkommen zum Stillstand gekommen ist, bevor Sie sie ablegen.

## 5. WARTUNG



*Schalten Sie das Werkzeug immer aus, und entnehmen Sie den Akku aus dem Gerät, bevor Sie Reinigungs- oder Wartungsarbeiten am Werkzeug vornehmen.*

Reinigen Sie das Werkzeuggehäuse regelmäßig mit einem weichen Lappen, vorzugsweise nach jeder Verwendung. Stellen Sie sicher, dass die Lüftungsöffnungen frei von Staub und Schmutz sind. Entfernen Sie anhaftenden Schmutz mit einem weichen Lappen, der leicht mit Seifenwasser befeuchtet wurde. Verwenden Sie keine Lösungsmittel wie Benzin, Alkohol, Ammoniak usw., da Chemikalien dieser Art die Kunststoffteile beschädigen.

## UMWELTSCHUTZ



*Schadhafte und/oder zu entsorgende elektrische oder elektronische Werkzeuge und Geräte müssen an den dafür vorgesehenen Recycling-Stellen abgegeben werden.*

### Nur für EG-Länder

Entsorgen Sie Elektrowerkzeuge nicht über den Hausmüll. Entsprechend der EU-Richtlinie 2012/19/ EG über Elektro- und Elektronik-Altgeräte sowie der Umsetzung in nationales Recht müssen Elektrowerkzeuge, die nicht mehr im Gebrauch sind, getrennt gesammelt und umwelt-schonend entsorgt werden.

## GARANTIE

VONROC-Produkte werden nach den höchsten Qualitätsstandards entwickelt und sind für den gesetzlich festgelegten Zeitraum, ausgehend von dem ursprünglichen Kaufdatum, garantiert frei von Fehlern in Material und Ausführung. Sollte das Produkt in diesem Zeitraum aufgrund von Materialund/ oder Verarbeitungsmängeln Fehler aufweisen, wenden Sie sich bitte direkt an VONROC Kundendienst.

Folgende Umstände sind von der Garantie ausgeschlossen:

- Reparaturen und oder Änderungen an der

Maschine, die durch nicht-autorisierte Servicestellen vorgenommen oder versucht wurden.

- Normale Abnutzung und Verschleiß.
- Das Werkzeug wurde übermäßig beansprucht, missbräuchlich verwendet oder falsch gewartet.
- Es wurden keine Original-Ersatzteile verwendet.

Dies stellt die einzige Gewährleistung des Unternehmens dar, sowohl ausdrücklich als auch implizit. Es gibt keine anderen ausdrücklichen oder stillschweigenden Garantien, die über das hier Genannte hinausgehen, einschließlich der stillschweigenden Garantien der Marktgängigkeit oder Eignung für einen bestimmten Zweck. In keinem Fall ist VONROC haftbar für Neben- oder Folgeschäden. Die Rechtsmittel des Händlers beschränken sich auf Reparatur oder Ersatz fehlerhafter Einheiten oder Teile.

**Am Produkt und am Benutzerhandbuch können Änderungen vorgenommen werden. Die technischen Daten können sich ohne Vorankündigung ändern.**

## 1. VEILIGHEIDSVOORSCHRIFTEN

Lees de bijgesloten veiligheidswaarschuwingen, de aanvullende veiligheidswaarschuwingen en de instructies. Het niet opvolgen van de veiligheidswaarschuwingen kan elektrische schokken, brand en/of ernstig letsel tot gevolg hebben. Bewaar de veiligheidswaarschuwingen en instructies als naslagwerk voor later.

De volgende symbolen worden gebruikt in de gebruikershandleiding of op het product:



*Lees de gebruikershandleiding.*



*Gevaar voor lichamelijk letsel, overlijden of schade aan de machine wanneer de instructies in deze handleiding niet worden opgevolgd.*



*Draag een veiligheidsbril.  
Draag gehoorbescherming.*



*Draag een stofmasker.*



*Miniatuurzekering met vertragingstijd.*



*Max temperatuur 45°C.*



*Accu niet verbranden.*



*Accu niet in het water gooien.*



*Werp het product niet weg in ongeschikte containers.*



*Aparte inzameling van Li-ion-accu's.*



*Het product is in overeenstemming met de van toepassing zijnde veiligheidsnormen in de Europese richtlijnen.*

### ALGEMENE VEILIGHEIDSVOORSCHRIFTEN



**WAARSCHUWING!** Lees alle veiligheidswaarschuwingen en alle instructies. Het niet opvolgen van onderstaande instructies kan leiden tot een elektrische schok, brand en/of ernstig persoonlijk letsel.

### Bewaar deze instructies.

De term “elektrisch gereedschap” in onderstaande waarschuwingen heeft betrekking op zowel apparatuur met een vaste elektriciteitskabel als op apparatuur met een accu (draadloze apparatuur).

#### 1) Werkgebied

- a) **Zorg voor een opgeruimde en goed verlichte werkomgeving.** Rommelige en donkere werkomgevingen leiden tot ongelukken
- b) **Gebruik elektrisch gereedschap nooit in een omgeving waar explosiegevaar bestaat, zoals in de nabijheid van ontvlambare vloeistoffen, gassen, dampen of andere stoffen.** Elektrische gereedschappen kunnen vonken veroorzaken, die deze stoffen tot ontbranding kunnen brengen.
- c) **Wanneer u elektrisch gereedschap gebruikt, houd dan kinderen en omstanders op afstand.** Wanneer u wordt afgeleid, kunt u de controle over het gereedschap verliezen.

#### 2) Elektrische veiligheid

- a) **Stekkers van elektrische gereedschappen moeten probleemloos passen op het stopcontact. Breng nooit wijzigingen aan in of aan de stekker. Gebruik geen adapters voor geaarde elektrische gereedschappen.** Standaardstekkers en passende stopcontacten verkleinen de kans op een elektrische schok.
- b) **Voorkom lichamelijk contact met geaarde oppervlakken van bijvoorbeeld pijpen, leidingen, radiatoren, fornuizen en koelkasten.** Wanneer uw lichaam geaard is, wordt de kans op een elektrische schok groter.
- c) **Stel elektrische gereedschappen nooit bloot aan regen of vocht.** Wanneer er water binnendringt in een elektrisch gereedschap, wordt de kans op een elektrische schok groter.
- d) **Gebruik het snoer niet om het elektrisch gereedschap te dragen, te verplaatsen of de stekker uit het stopcontact te trekken. Bescherm het snoer tegen olie, warmte, scherpe randen en bewegende delen.** Beschadigde of vastzittende snoeren vergroten de kans op een elektrische schok.
- e) **Wanneer u elektrische gereedschappen buiten gebruikt, gebruik dan een verlengkabel die geschikt is voor buitengebruik.** Door een kabel te gebruiken die geschikt is voor buitengebruik, wordt de kans op een elektrische schok kleiner.
- f) **Gebruik een aardlekbeveiliging (RCD) als niet te**

voorkomen is dat een powertool moet worden gebruikt in een vochtige omgeving. Gebruik van een RCD vermindert het risico van elektrische schokken.

### 3) Persoonlijke veiligheid

- a) **Blijf altijd alert, kijk goed wat u doet en gebruik uw gezonde verstand wanneer u een elektrisch gereedschap gebruikt. Gebruik geen elektrische gereedschappen wanneer u moe bent, of drugs, alcohol of medicijnen hebt gebruikt.** Eén moment van onachtzaamheid bij het gebruik van elektrische gereedschappen kan ernstige verwondingen tot gevolg hebben.
- b) **Gebruik persoonlijke beschermingsmiddelen. Draag altijd een veiligheidsbril.** Een gepast gebruik van veiligheidsvoorzieningen, zoals een stof masker, speciale werkschoenen met antislipzolen, een veiligheidshelm en gehoorbescherming verkleinen de kans op persoonlijk letsel.
- c) **Voorkom dat het gereedschap per ongeluk wordt gestart. Zorg dat de schakelaar op de UITpositie staat, voordat u de stekker in het stopcontact steekt.** Draag elektrisch gereedschap nooit met uw vinger op de schakelaar en steek ook nooit de stekker van ingeschakelde elektrische gereedschappen in het stopcontact: dit leidt tot ongelukken.
- d) **Verwijder alle instel en andere sleutels uit het elektrisch gereedschap voordat u hem inschakelt.** Instel en andere sleutels aan een ronddraaiend onderdeel van het elektrisch gereedschap kunnen tot verwondingen leiden.
- e) **Zorg dat u nooit uw evenwicht kunt verliezen; houd altijd twee voeten stevig op de vloer.** Hierdoor kunt u het elektrisch gereedschap in onverwachte situaties beter onder controle houden.
- f) **Zorg dat u geschikte kleding draagt. Draag geen loshangende kleding of sieraden. Houd uw haar, kleding en handschoenen uit de buurt van bewegende delen.** Loshangende kleding, sieraden en lang haar kunnen vast komen te zitten in bewegende delen.
- g) **Wanneer er voorzieningen zijn voor de aansluiting van stofafzuiginstallaties, zorg dan dat ze op de juiste wijze worden aangesloten en gebruikt.** Gebruik van deze voorzieningen vermindert de gevaren die door stof worden veroorzaakt.
- h) **Denk niet dat doordat u gereedschap vaak gebruikt, u wel weet hoe het allemaal werkt en**

dat u de veiligheidsbeginselen voor het gebruik van het gereedschap wel kunt negeren. Een onbezonnen actie kan in een fractie van een seconde ernstig letsel tot gevolg hebben.

### 4) Gebruik en onderhoud van elektrisch gereedschap

- a) **Oefen geen overmatige kracht uit op elektrisch gereedschap. Gebruik het juiste gereedschap voor uw specifieke toepassing.** Met het juiste elektrische gereedschap voert u de taak beter en veiliger uit wanneer dit op de snelheid gebeurt waarvoor het apparaat is ontworpen.
- b) **Gebruik nooit elektrisch gereedschap waarvan de AAN/UITschakelaar niet werkt.** Ieder elektrisch gereedschap dat niet kan worden in en uitgeschakeld met de schakelaar is gevaarlijk en moet worden gerepareerd.
- c) **Trek de stekker uit het stopcontact voordat u wijzigingen aanbrengt aan elektrische gereedschappen, accessoires verwisselt of het elektrisch gereedschap opbergt.** Wanneer u zich aan deze preventieve veiligheidsmaatregelen houdt, beperkt u het risico dat het gereedschap per ongeluk wordt gestart.
- d) **Berg elektrisch gereedschap dat niet in gebruik is op buiten bereik van kinderen en laat personen die niet bekend zijn met het gereedschap of deze instructies het apparaat niet gebruiken.** Elektrisch gereedschap is gevaarlijk in de handen van ongeoevende gebruikers.
- e) **Zorg voor een goed onderhoud van elektrisch gereedschap. Controleer of bewegende delen op de juiste wijze zijn vastgezet. Controleer ook of er geen onderdelen defect zijn of dat er andere omstandigheden zijn die van invloed kunnen zijn op de werking van het gereedschap. Laat het gereedschap bij beschadigingen repareren vóór gebruik.** Veel ongelukken worden veroorzaakt door slecht onderhoud van het gereedschap.
- f) **Zorg dat snij en zaagwerktuigen scherp en schoon blijven.** Goed onderhouden snij en zaagwerktuigen met scherpe randen zullen minder snel vastlopen en zijn eenvoudiger onder controle te houden.
- g) **Gebruik alle elektrische gereedschappen, accessoires, bitjes etc., zoals aangegeven in deze instructies en op de wijze waarvoor het gereedschap is ontworpen. Houd daarbij rekening met de werkomstandigheden en**

- de uit te voeren taak.** Gebruik van elektrisch gereedschap voor handelingen die afwijken van de taken waarvoor het apparaat is ontworpen kunnen leiden tot gevaarlijke situaties.
- h) **Houd handgrepen en greepoppervlakken droog, schoon en vrij van olie en vet.** Gladde handgrepen en greepoppervlakken maken veilig werken en controle over het gereedschap in onverwachte situaties onmogelijk.

### 5) Gebruik en onderhoud accugereedschap

- a) **Laad alleen op met de lader die door de fabrikant is gespecificeerd.** Een lader die voor een bepaalde accu geschikt is, kan brand veroorzaken wanneer deze met een andere accu wordt gebruikt.
- b) **Gebruik elektrisch gereedschap alleen met de speciaal hiervoor bedoelde accu's.** Gebruik van andere accu's kan kans op letsel en brand geven.
- c) **Wanneer de accu niet in gebruik is, houd deze dan uit de buurt van andere metalen voorwerpen zoals paperclips, munten, sleutels, spijkers, schroeven of andere kleine metalen voorwerpen die een verbinding tussen twee polen kunnen maken.** Kortsluiting tussen de accupolen kan brandwonden of brand veroorzaken.
- d) **Wanneer de accu niet juist wordt gebruikt, kan er vloeistof uit lopen; raak dit niet aan. Wanneer dit per ongeluk wel gebeurt, spoel dan met water. Wanneer de vloeistof in de ogen komt, moet u een arts raadplegen.** De vloeistof uit de accu kan irritaties of brandwonden veroorzaken.
- e) **Gebruiken niet een accu of gereedschap dat beschadigd is of gemodificeerd.** Beschadigde of gemodificeerde accu's kunnen onvoorspelbaar gedrag vertonen, wat brand, explosie of een risico van letsel met zich meebrengt.
- f) **Stel een accu over het gereedschap niet bloot aan open vuur of een uitzonderlijk hoge temperatuur.** Blootstelling aan vuur of een temperatuur hoger dan 130 °C, kan een explosie veroorzaken. NB De temperatuur van "130 °C" kan worden vervangen door de temperatuur van "265 °F".
- g) **Houd u aan alle instructies voor het laden en laad de accu of het gereedschap niet op buiten het temperatuurbereik dat in de instructies wordt aangeduid.** Op een onjuiste wijze laden of laden bij temperaturen buiten het aangeduide bereik kan de accu beschadigen en het risico van brand doen toenemen.

### 6) Service

- a) **Laat uw gereedschap onderhouden door een gekwalificeerde onderhoudstechnicus die alleen gebruikmaakt van identieke vervangingsonderdelen.** Dit zorgt ervoor dat de veiligheid van de powertool intact blijft.
- b) **Voer nooit servicewerkzaamheden uit aan beschadigde accu's.** Alleen de fabrikant of geautoriseerde service-providers mogen servicewerkzaamheden aan accu's uitvoeren.

### AANVULLENDE VEILIGHEIDSVORSCHRIFTEN VOOR EXCENTRISCHE SCHUURMACHINES



*Het aanraken of inademen van tijdens gebruik vrijkomende stof (bijv. met loodhoudende verf bewerkte oppervlakken, hout en metaal) kan schade toebrengen aan uw gezondheid en de gezondheid van omstanders. Draag altijd geschikte beschermende uitrusting, zoals een stofmasker. Zorg tijdens gebruik altijd voor een goede stofafzuiging.*

- Bewerk geen materialen die asbest bevatten. Asbest wordt als kankerverwekkend beschouwd.
- Gebruik de machine niet voor het schuren van magnesium werkstukken.
- Draag een veiligheidsbril. Draag gehoorbescherming. Gebruik indien nodig andere beschermingsmiddelen, zoals veiligheidshandschoenen, veiligheidsschoenen, etc.
- Houd de machine vast bij de geïsoleerde oppervlakken op plekken waar het accessoire in contact kan komen met verborgen bedrading of het netsnoer. Indien het accessoire in contact komt met een onder spanning staande draad, kunnen de blootgestelde metalen delen van de machine ook onder spanning komen. Gevaar voor elektrische schok.
- Wees uiterst voorzichtig bij het schuren van geleverde oppervlakken.
- Verwijder voor gebruik alle spijkers en andere metalen voorwerpen uit het werkstuk.
- Zorg ervoor dat het werkstuk correct wordt ondersteund of vastgezet.
- Gebruik uitsluitend schuurpapier dat geschikt is voor gebruik met de machine.
- Gebruik uitsluitend schuurpapier met de juiste afmetingen. Zorg ervoor dat het schuurpapier correct is gemonteerd.

- Controleer het schuurpapier voor ieder gebruik. Gebruik geen schuurpapier dat door langdurig gebruik is versleten.
- Plaats de machine nooit op een tafel of een werkbank voordat deze uitgeschakeld is.

**VEILIGHEIDSVOORSCHRIFTEN VOOR DE ACCU**

- Open de accu niet.** Er bestaat gevaar voor kortsluiting.
- Bescherm de accu tegen hitte, bijvoorbeeld ook tegen voortdurend zonlicht, vuur, water en vocht.** Er bestaat explosiegevaar.
- Bij beschadiging en onjuist gebruik van de accu kunnen er dampen vrijkomen. Zorg voor frisse lucht en raadpleeg bij klachten een arts.** De dampen kunnen de lucht wegen irriteren.
- Gebruik de accu alleen in combinatie met uw Vonroc product.** Alleen zo wordt de accu tegen gevaarlijke over belasting beschermd.
- Door scherpe voorwerpen, zoals bijv. spijkers of schroevendraaiers of door krachtinwerking van buitenaf kan de accu beschadigd worden.** Het kan tot een interne kortsluiting leiden en de accu doen branden, roken, exploderen of oververhitten.

**VEILIGHEIDSVOORSCHRIFTEN VOOR DE LADER**  
**Bedoeld gebruik**

Laad uitsluitend herlaadbare accupacks van het type CD801AA en CD803AA. Andere typen accu's kunnen exploderen, wat lichamelijk letsel en schade kan veroorzaken.

- Het apparaat dient niet te worden gebruikt door personen (inclusief kinderen) met verminderde fysieke, zintuiglijke of mentale functies of personen zonder enige ervaring en kennis, tenzij zij onder toezicht staan of zijn geïnstrueerd.**
- Laat kinderen onder toezicht niet met het apparaat spelen.**
- Laad niet-herlaadbare accu's niet opnieuw op!**
- Plaats de accu's tijdens het opladen in een goed geventileerde ruimte!**

**Elektrische veiligheid**



Controleer altijd of de spanning van de voedingstoevoer overeenkomt met de spanning op het typeplaatje.

- Gebruik de machine niet indien het netsnoer of de netstekker zijn beschadigd.
- Gebruik uitsluitend verlengkabels die geschikt zijn voor het vermogen van de machine met

een minimale dikte van 1,5 mm<sup>2</sup>. Indien u een verlengkabelhaspel gebruikt, rol dan altijd de kabel volledig uit.

**2. TECHNISCHE INFORMATIE**

**Bedoeld gebruik**

De machine is ontworpen voor het schuren van hout, kunststoffen en metaal. Deze machine is uitsluitend geschikt voor droog schuren. De machine is niet geschikt voor verwerking van voorwerpen die asbest bevatten. Onjuist gebruik kan het gereedschap beschadigen.


**TECHNISCHE SPECIFICATIES**




Deze gebruikshandleiding is opgesteld voor verschillende sets / artikelnummers. Controleer het bijbehorende artikelnummer in de onderstaande specificaties voor de juiste samenstelling en inhoud van uw set.

Model Nr.	OS503DC	S_ OS503DC	S2_ OS503DC	S3_ OS503DC
Batterijen meegeleverd	-	CD801AA	2 x CD801AA	CD803AA
Acculader meegeleverd	-	CD802AA		
Spanning	20V			
Toerental onbelast	5.000-10.000/min			
Schuurkussen diameter	125mm			
Gewicht	1.20 kg			
Geluidsdruk LPA	77.1 dB(A), K=3dB(A)			
Geluidsvermogen LWA	88.1 dB(A), K=3dB(A)			
Vibratie	7.511 m/s <sup>2</sup> K=1.5 m/s <sup>2</sup>			

Model Nr.	CD801AA
Accu type	Lithium-Ion
Voltage	20V
Vermogen	2.0 Ah
Aanbevolen laadapparaat	CD802AA
Gewicht	0.3 kg

<b>Model Nr.</b>	<b>CD803AA</b>
Accu type	Lithium-Ion
Voltage	20V 
Vermogen	4.0 Ah
Aanbevolen laadapparaat	CD802AA
Gewicht	0.65 kg

<b>Model Nr.</b>	<b>CD802AA</b>
Acculader ingang	220-240V, 50Hz 0.4A
Acculader uitgangsvermogen	21V  2.5A
Oplaatijd 2Ah accu	60 minutes
Oplaatijd 4Ah accu	120 minutes
Aanbevolen accu's	CD801AA, CD803AA
Gewicht	0.36 kg

Gebruik uitsluitend de volgende accu's van het VONROC VPOWER 20V accu-platform. Gebruik van andere accu's kan leiden tot ernstig letsel of tot beschadiging van het gereedschap.

CD801AA                    20V, 2Ah Lithium-Ion  
 CD803AA                    20V, 4Ah Lithium-Ion

De volgende lader kan worden gebruikt voor het opladen van deze accu's.

CD802AA                    Snellader

De accu's van het VONROC VPOWER 20V accu-platform kunnen worden gewisseld tussen alle gereedschappen van het VONROC VPOWER 20V accu-platform.

### Trillingsniveau

Het trillingsemissieniveau, dat in deze gebruiksaanwijzing wordt vermeld, is gemeten in overeenstemming met een gestandaardiseerde test volgens EN 62841; deze mag worden gebruikt om twee machines met elkaar te vergelijken en als voorlopige beoordeling van de blootstelling aan trilling bij gebruik van de machine voor de vermelde toepassingen:

- gebruik van de machine voor andere toepassingen, of met andere of slecht onderhouden accessoires, kan het blootstellingsniveau aanzienlijk verhogen.
- wanneer de machine is uitgeschakeld of wanneer deze loopt maar geen werk verricht, kan dit het blootstellingsniveau aanzienlijk reduceren.

Bescherm uzelf tegen de gevolgen van trilling door de machine en de accessoires te onderhouden, uw handen warm te houden en uw werkwijze te organiseren.

### BESCHRIJVING

De nummers in de tekst verwijzen naar de diagrammen op pagina 2 - 3.

1. Aan/uit-schakelaar
2. Stofzak
3. Instelwiel toerental
4. Schuurzool
- 5A. Bovenste greep
- 5B. Onderste greep
6. Stofafzuigpoort
7. Ontgrendelknop accu
8. Accu
9. Schuurpapier
10. Rubberen ring
11. Knop LED-indicatielampjes accu
12. LED-indicatielampjes accu
13. Lader
14. LED-indicatielampjes accu
- 15A. Aansluiting stofafzuiging
- 15B. Adapter stofafzuiging

### 3. ASSEMBLAGE



*Neem altijd voor werkzaamheden aan het elektrische gereedschap de accu uit het gereedschap.*



*De accu moet zijn opgeladen voordat deze voor het eerst wordt gebruikt.*

#### De accu in de machine plaatsen (Afb. C)



*Zorg ervoor dat het oppervlak van de accu schoon en droog is voordat u deze op de acculader of de machine aansluit.*

1. Plaats de accu (8) in de onderkant van de machine, zoals is weergegeven in Fig. C.
2. Duw de accu verder naar voren tot deze vastklikt.

#### De accu van de machine verwijderen (Afb. C)

1. Duw op de ontgrendelingsknop van de accu(7).
2. Trek de accu uit de machine zoals afgebeeld in Fig. C.

**De laadstatus van de accu controleren (Afb. E)**

- Druk kort op de knop (11) op de accu om de laadstatus van de accu te controleren.
- Op de accu bevinden zich 3 lampjes die het laadniveau aangeven. Hoe meer lampjes branden, des te meer is de accu opgeladen.
- Wanneer de lampjes niet branden, wil dit zeggen dat de accu leeg is en onmiddellijk moet worden opgeladen.

**De accu laden met de acculader (Afb. E)**

1. Haal de accu (8) uit de machine.
2. Draai de accu (8) ondersteboven en schuif deze op de acculader (13), zoals is weergegeven in Afb. E.
3. Duw op de accu tot deze volledig in de sleuf zit.
4. Steek de stekker van de acculader in een stopcontact en wacht even. De Led-lampjes op de acculader (13) gaan branden en tonen de status van de lader.

**De acculader heeft 2 led-controlelampjes (14) dat de status van het laadproces aangeeft:**

Status rode LED	Status groene LED	Status van acculader
Uit	Uit	Geen stroom
Uit	Aan	Standby mode: - Geen accu geplaatst, of - Opladen van de accu is beëindigd, de accu is volledig opgeladen
Aan	Uit	Bezig met opladen van accu

- Het kan tot 60 minuten duren voordat de 2Ah accu volledig is opgeladen.
- Het kan tot 120 minuten duren voordat de 4Ah accu volledig is opgeladen.

Verwijder, als de accu volledig is opgeladen, de stekker van de acculader uit het stopcontact en haal de accu uit de acculader.



*Wanneer deze machine gedurende een langere tijd niet wordt gebruikt, is het raadzaam de accu te bewaren in opgeladen toestand.*

**Externe stofafzuiging**

Op de aansluiting (15A) voor de stofafzuiging kan een stofzuiger op de machine worden aangesloten.

Ook wordt er een adapter (15B) bijgeleverd, waarmee stofzuigerbuizen van kleinere diameter kunnen worden aangesloten.

**De stofzak bevestigen (Afb. D)**

Het wordt ten zeerste aanbevolen de machine te gebruiken met de stofzak (2), zodat stof optimaal wordt opgevangen.

- Schuif de stofzak (2) met een licht draaiende beweging op de stofafzuigpoort (6).
- Zet de stofzak (2) op z'n plaats vast door deze met een draaiende beweging iets over de rubberen ring (10) te schuiven.

**NB:** De stofopvangbak moet worden geleegd wanneer deze half vol is, zodat de stofopvang optimaal blijft werken.

**Schuurpapier plaatsen en verwijderen (Afb. B)**

- Houd de machine op z'n zij of ondersteboven
- Plaats schuurpapier (9) met de vereiste korrel op het schuurkussen (4). Controleer dat de perforatie in het schuurpapier (9) uitkomt op de perforatie op het schuurkussen (4)
- U kunt het schuurpapier (9) verwijderen door het eenvoudig van het schuurkussen (4) te trekken.

**NB:** Gebruik grof schuurpapier voor het schuren van ruwe, ongelijke oppervlakken. Gebruik schuurpapier met een gemiddelde korrel voor het verwijderen van de krassen die achterblijven van het grove schuurpapier. Gebruik fijn schuurpapier voor het afwerken van oppervlakken.

**4. BEDIENING**

**In-/uitschakelen (Afb. A)**

- Schakel de machine in door de Aan/Uit-schakelaar (1) in de stand I te drukken.
- Schakel het apparaat uit door op de Aan/Uit-schakelaar (1) in de stand 0 te drukken.

**Instellen van de snelheid (Afb. A)**

Het instelwiel voor het toerental (3) wordt gebruikt voor het instellen van de snelheid. Het instelwiel voor het toerental kan in 6 posities worden

ingesteld. De ideale snelheid is afhankelijk van de gewenste korrelgrootte en van het te bewerken materiaal.

#### Aanwijzingen voor optimaal gebruik

- Klem het werkstuk vast.
- Houd de machine stevig met beide handen vast.
- Schakel de machine in.
- Plaats de schuurzool met schuurpapier op het werkstuk.
- Beweeg de machine langzaam over het werkstuk, waarbij de schuurzool stevig tegen het werkstuk wordt gedrukt.
- Oefen niet te veel druk uit op de machine. Laat de machine het werk doen.
- Schakel de machine uit en wacht totdat de machine volledig tot stilstand is gekomen voordat u de machine wegzet.

## 5. ONDERHOUD



*Schakel, voordat u met de reiniging en het onderhoud begint, altijd de machine uit en haal het accupack uit de machine.*

Reinig de machinebehuizing regelmatig met een zachte doek, bij voorkeur iedere keer na gebruik. Zorg dat de ventilatiesleuven vrij van stof en vuil zijn. Gebruik bij hardnekkig vuil een zachte doek bevochtigd met zeepwater. Gebruik geen oplosmiddelen als benzine, alcohol, ammonia, etc. Dergelijke stoffen beschadigen de kunststof onderdelen.

## MILIEU



*Defecte en/of afgedankte elektrische of elektronische gereedschappen dienen ter verwerking te worden aangeboden aan een daarvoor verantwoordelijke instantie.*

#### Uitsluitend voor EG-landen

Werp elektrisch gereedschap niet weg bij het huisvuil. Conform de Europese Richtlijn 2012/19/EG voor Afgedankte Elektrische en Elektronische Apparatuur en de implementatie ervan in nationaal recht moet niet langer te gebruiken elektrisch gereedschap gescheiden worden verzameld en op een milieuvriendelijke wijze worden verwerkt.

## GARANTIE

VONROC producten zijn ontworpen volgens de hoogste kwaliteitsstandaarden en gegarandeerd vrij van defecten, zowel materieel als fabrieksfouten, tijdens de wettelijk vastgestelde garantieperiode vanaf de eerste aankoopdatum. Mocht het product tijdens deze periode gebreken vertonen veroorzaakt door defecte materialen en/of fabrieksfouten, neem dan rechtstreeks contact op met VONROC.

De volgende situaties vallen niet onder de garantie:

- Er zijn reparaties of aanpassingen aan de machine uitgevoerd, of er is een poging daartoe ondernomen, door een nietgeautoriseerd servicecentrum.
- Normale slijtage.
- De machine is misbruikt, verkeerd gebruikt of slecht onderhouden.
- Er zijn niet-originele reserveonderdelen gebruikt.

Dit vormt de enige garantie opgesteld door het bedrijf zowel expliciet als impliciet. Er bestaan geen andere garanties expliciet of impliciet welke verder gaan dan deze garantie, inclusief impliciete garanties van verkoopbaarheid en geschiktheid voor bepaalde doeleinden. In geen enkel geval kan VONROC aansprakelijk worden gesteld voor incidentele schade of gevolgschade. Reparaties van dealers zijn gelimiteerd tot de reparatie of vervanging van defecte producten of onderdelen.

**Het product en de gebruikershandleiding zijn onderhevig aan wijzigingen. Specificaties kunnen zonder opgaaf van redenen worden gewijzigd.**



## 1. CONSIGNES DE SÉCURITÉ

En plus des avertissements de sécurité suivants, veuillez également lire les avertissements de sécurité additionnels ainsi que les instructions. Le non-respect des avertissements de sécurité et des instructions peut entraîner une décharge électrique, un incendie et/ou des blessures graves. Veuillez conserver les avertissements de sécurité et les instructions pour consultation ultérieure.

Les symboles suivants sont utilisés dans le manuel d'utilisation ou apposés sur le produit:



Lisez le manuel d'utilisation.



Signale un risque de blessures, un danger mortel ou un risque d'endommagement de l'outil en cas de non-respect des instructions de ce manuel.



Portez des lunettes de protection.  
Portez une protection auditive.



Portez un masque anti-poussière.



Fusible miniature à fusion lente.



Température max. 45°C.



Ne jetez pas la batterie au feu.



Ne jetez pas la batterie dans de l'eau.



Ne jetez pas le produit dans des conteneurs qui ne sont pas prévus à cet effet.



La batterie Li-ion fait l'objet d'une collecte séparée.



Le produit est conforme aux normes de sécurité applicables des directives européennes.

### CONSIGNES GÉNÉRALES DE SÉCURITÉ



**AVERTISSEMENT! Veuillez lire l'intégralité des avertissements de sécurité et des instructions.** Le non-respect de toutes les instructions indiquées ci-dessous peut entraîner un risque de choc électrique, d'incendie et/ou de blessures graves.

#### Conservez ces instructions.

Le terme "appareil électrique" mentionné dans tous les avertissements ci-dessous se rapporte à un appareil électrique qui se branche au réseau électrique (grâce à un câble d'alimentation) ou à un appareil électrique (sans fil) fonctionnant grâce à une batterie.

#### 1) Espace de travail

- a) **Veillez toujours à garder votre espace de travail propre et bien éclairé.** Les espaces mal rangés et sombres peuvent être la cause d'accidents.
- b) **N'utilisez pas les appareils électriques dans des environnements susceptibles d'explosion, par exemple en présence de liquides inflammables, de gaz ou de particules.** Les appareils électriques provoquent des étincelles qui peuvent enflammer les particules des émanations.
- c) **Veillez à garder éloignés les enfants et les personnes se trouvant dans votre voisinage, lors de l'utilisation d'un appareil électrique.** Les distractions peuvent vous faire perdre le contrôle de l'appareil.

#### 2) Mesures de sécurité électriques

- a) **Les prises des appareils électriques doivent être raccordées à la prise murale correspondante. Ne modifiez jamais la prise de l'appareil, de quelque façon que ce soit. N'utilisez pas d'adaptateurs qui mettent les appareils électriques à la terre (mise à la masse).** Des prises non modifiées et branchées à la prise murale correspondante réduiront les risques de choc électrique.
- b) **Évitez le contact direct avec les surfaces mises à la terre ou mises à la masse comme les canalisations, les radiateurs, les cuisinières et les réfrigérateurs.** En effet, le risque de choc électrique s'accroît si votre corps est mis à la terre ou à la masse.
- c) **N'utilisez pas d'outils électriques dans des environnements pluvieux ou humides.** Si de l'eau s'introduit dans un appareil électrique, le risque de choc électrique augmentera.
- d) **N'utilisez pas le câble de manière abusive. N'utilisez jamais le câble pour transporter, tirer ou débrancher l'appareil électrique. Veillez à garder le câble éloigné des sources de chaleur, des huiles, des rebords coupants ou des pièces actionnées.** Les câbles endommagés ou entremêlés augmentent le risque de choc

- électrique.
- e) **Lorsque un appareil est utilisé à l'extérieur, faites uniquement un câble prolongateur prévu à cet effet.** L'utilisation d'un câble à usage extérieur réduit le risque de choc électrique.
  - f) **Si vous êtes contraint d'utiliser un outil électrique dans un environnement humide, utilisez une alimentation protégée par un dispositif à courant résiduel (RCD).** L'utilisation d'un RCD réduit le risque de décharge électrique.
- 3) Sécurité personnelle**
- a) **Restez vigilant, gardez un œil sur ce que vous faites et utilisez votre sens commun lors de l'utilisation d'un appareil électrique. N'utilisez pas un appareil électrique si vous êtes fatigué ou si vous êtes sous l'influence de drogues, d'alcool ou si vous prenez des médicaments.** Un moment d'inattention lors de l'utilisation des appareils électriques peut entraîner des blessures graves.
  - b) **Utilisez un équipement de protection personnelle. Protégez-vous toujours les yeux.** Les équipements de protection, tels qu'un masque à poussière, des chaussures antidérapantes, des protections auditives ou un casque de sécurité, utilisés dans de bonnes conditions, réduiront le risque de blessures.
  - c) **Prévenez tout démarrage involontaire. Assurez-vous que l'interrupteur est sur la position "arrêt avant de brancher l'appareil.** En effet, le transport des appareils électriques en gardant vos doigts sur l'interrupteur, ou le branchement de ces appareils en ayant l'interrupteur sur "marche accidents.
  - d) **Retirez les clés de réglage ou les clés de vis de réglage avant d'allumer l'appareil électrique.** Une clé de vis de réglage ou une clé, laissée sur une pièce en mouvement de l'appareil électrique, peut entraîner des lésions corporelles.
  - e) **Ne pas se précipiter. Gardez toujours vos pieds à plat et gardez votre équilibre.** Ceci permet de mieux contrôler l'appareil électrique dans des situations imprévues.
  - f) **Habilitez-vous convenablement. Ne portez pas de vêtements lâches ou de bijoux. Gardez vos cheveux, vêtements et gants éloignés des pièces actionnées.** En effet, ces derniers peuvent être pris dans les pièces en action.
  - g) **Si les appareils sont fournis pour la connexion des équipements d'évacuation et de récupération de la poussière, assurez-vous que ces derniers soient correctement connectés et utilisés.** L'utilisation de ces appareils peut réduire les risques liés à la poussière.
  - h) **Ne pensez pas être familiarisé avec l'outil après l'avoir utilisé à de nombreuses reprises, au point de ne plus rester vigilant et d'oublier les consignes de sécurité.** Toute action imprudente peut engendrer de graves blessures en une fraction de seconde.
- 4) Utilisation et entretien d'un appareil électrique**
- a) **Ne forcez pas l'appareil électrique. Utilisez l'appareil électrique adéquat pour votre application.** Un appareil électrique correctement choisi assurera un meilleur travail et un travail sans danger, au rythme auquel il a été conçu.
  - b) **N'utilisez pas l'appareil électrique si l'interrupteur marche/arrêt ne fonctionne pas.** Un appareil électrique qui ne peut pas être commandé par l'interrupteur de contrôle est dangereux et doit être réparé.
  - c) **Débranchez la prise du bloc d'alimentation avant d'effectuer des réglages, de changer des accessoires, ou de ranger les appareils électriques.** Ces mesures de sécurité préventives réduiront le risque de démarrage involontaire de l'appareil électrique.
  - d) **Rangez les appareils électriques arrêtés hors de la portée des enfants et ne laissez aucune personne, non familiarisée avec l'outil ou ces instructions, utiliser l'appareil électrique.** Les appareils électriques sont dangereux entre les mains d'utilisateurs non formés.
  - e) **Entretenez les appareils électriques. Vérifiez tout défaut d'alignement et l'enchaînement des pièces actionnées, la rupture de ces dernières, et les autres conditions qui peuvent affecter le fonctionnement des appareils électriques. En cas de dommages, faites réparer l'appareil électrique avant de le réutiliser.** Nombreux sont les accidents provoqués par des appareils électriques mal entretenus.
  - f) **Veillez à garder les outils coupants aiguisés et propres.** Des outils coupants correctement entretenus avec des lames aiguisées sont moins susceptibles de se bloquer et sont plus faciles à contrôler.
  - g) **Utilisez l'appareil électrique, les accessoires et les embouts, etc., conformément à ces instructions et de la manière prévue pour le**

**type spécifique de l'appareil électrique, en prenant en compte les conditions de travail et le travail à effectuer.** L'utilisation de l'appareil électrique dans des applications différentes de celles prévues peut entraîner des situations dangereuses.

- h) **Gardez les poignées et les surfaces de préhension sèches, propres et exemptes d'huile et de graisse.** Des poignées et des surfaces de préhension glissantes ne permettent pas de manipuler et de contrôler l'outil correctement en cas de situations inattendues.
  - h) **Gardez les poignées et les surfaces de préhension sèches, propres et exemptes d'huile et de graisse.** Des poignées et des surfaces de préhension glissantes ne permettent pas de manipuler et de contrôler l'outil correctement en cas de situations inattendues.
- 5) Utiliser et soigner les outils à batterie**
- a) **Rechargez la batterie uniquement avec le chargeur spécifié par le fabricant.** Un chargeur adapté à une certaine batterie peut être cause de danger d'incendie quand on l'utilise avec une batterie différente.
  - b) **Utilisez chaque outil uniquement avec la batterie conçue pour lui.** L'utilisation de toute autre batterie peut être cause de danger de blessure ou d'incendie.
  - c) **Lorsque une batterie n'est pas en usage, gardez-la hors d'atteinte d'objets métalliques tels que les trombones, pièces de monnaie, clés, clous, vis et autres petits objets métalliques pouvant faire le contact entre une borne et l'autre.** Un court-circuit entre les bornes de la batterie peut être cause de brûlures ou d'incendie.
  - d) **Dans des circonstances extrêmes, du liquide peut gicler hors de la batterie ; évitez tout contact. En cas de contact accidentel, rincez à l'eau. En cas de contact du liquide avec les yeux, consultez un médecin.** Le liquide qui gicle d'une batterie peut causer irritations ou brûlures.
  - e) **N'utilisez pas un bloc-batterie ou un outil endommagé ou modifié.** Une batterie endommagée ou altérée peut avoir un comportement imprévisible qui peut conduire à un incendie, une explosion ou un risque de blessure.
  - f) **N'exposez pas le bloc-batterie ou l'outil au feu ou à des températures excessives.** L'exposition au feu ou à des températures dépassant 130 °C

peut provoquer une explosion. REMARQUE La température de "130°C" peut être remplacé par la température de "265°F".

- g) **Respectez les instructions pour la charge et ne rechargez pas le bloc-batterie ou l'outil à une plage de températures hors de celle spécifiée dans les instructions.** Une charge mal effectuée ou à des températures hors de la plage spécifiée peut endommager la batterie et augmente le risque d'incendie.
- 6) Maintenance**
- a) **L'entretien de votre outil électrique doit être confié à un réparateur qualifié qui utilise uniquement des pièces de rechange identiques aux pièces d'origine.** Cela permet d'assurer la sécurité de l'outil électrique.
  - b) **Ne réparez jamais des blocs-batteries endommagés.** Les réparations sur les blocs-batteries ne doivent être effectuées que par le fabricant ou l'un de ses prestataires de services agréés.

#### **AVERTISSEMENTS DE SECURITE POUR L'ACCU**

- a) **Ne pas ouvrir l'accu.** Risque de court-circuit.
- b) **Protéger l'accu de toute source de chaleur, comme p. ex. l'exposition directe au soleil, au feu, à l'eau et à l'humidité.** Il y a risque d'explosion.
- c) **En cas d'endommagement et d'utilisation non conforme de l'accu, des vapeurs peuvent s'échapper. Ventiler le lieu de travail et, en cas de malaises, consulter un médecin.** Les vapeurs peuvent entraîner des irritations des voies respiratoires.
- d) **N'utilisez l'accumulateur qu'avec votre produit Vonroc.** Ceci protège l'accumulateur contre une surcharge dangereuse.
- e) **Les objets pointus comme un clou ou un tournevis et le fait d'exercer une force extérieure sur le boîtier risque d'endommager l'accu.** Il peut en résulter un court-circuit interne et l'accu risque de s'enflammer, de dégager des fumées, d'exploser ou de surchauffer.

## AVERTISSEMENTS DE SECURITE POUR LE CHARGEUR

### Utilisation prévue

Chargez uniquement à l'aide de la batterie Li-ion rechargeable CD801AA un CD803AA. Tout autre type de batterie est susceptible d'éclater et de provoquer des blessures et des dommages matériels.

- L'appareil n'est pas destiné à être utilisé par des personnes (notamment des enfants) souffrant de déficiences physiques, sensorielles ou mentales, ou par des personnes inexpérimentées ou non formées. Toute utilisation doit se faire sous la surveillance d'une personne responsable et avec les instructions appropriées.**
- Même sous surveillance, les enfants ne doivent pas jouer avec l'appareil.**
- Ne rechargez pas les batteries non rechargeables!**
- Veillez effectuer la recharge des batteries dans un endroit bien ventilé!**

### Sécurité électrique



*Vérifiez que la tension d'alimentation correspond à la tension nominale indiquée sur la plaque signalétique.*

- N'utilisez pas la machine si le câble secteur ou la fiche secteur est endommagé.
- Utilisez uniquement des rallonges adaptées à la puissance nominale de la machine et d'une section minimum de 1,5 mm<sup>2</sup>. Si vous utilisez une bobine de rallonge, déroulez toujours complètement le câble.

## AVERTISSEMENTS DE SÉCURITÉ ADDITIONNELS POUR PONCEUSES EXCENTRIQUES



*Le contact ou l'inhalation de poussière libérée pendant l'utilisation (par ex. surfaces peintes, bois ou métal) peut constituer un danger pour votre santé et celle des personnes à proximité. Portez toujours l'équipement de protection approprié, ainsi un masque anti-poussière. Employez toujours les dispositifs d'aspiration de poussière adaptés pendant l'utilisation.*

- Ne travaillez pas sur des matériaux contenant de l'amiante. L'amiante est considéré comme carcinogène.
- N'utilisez pas la machine pour poncer des pièces à ouvrir contenant du magnésium.
- Portez des lunettes de protection. Portez une protection auditive. Si nécessaire, utilisez d'autres équipements de protection : gants de sécurité, chaussures de sécurité, etc.
- Tenez la machine par les surfaces de poignée isolées lorsque l'accessoire peut toucher des câblages cachés ou le cordon secteur. Si l'accessoire touche un fil sous tension, les pièces métalliques exposées de la machine peuvent également être sous tension. Risque d'électrocution.
- Faites très attention en ponçant des surfaces peintes.
- Avant l'usage, retirez tous les clous et autres objets métalliques de la pièce à ouvrir.
- Assurez-vous que la pièce à ouvrir est correctement soutenue ou fixée.
- Utilisez uniquement du papier de ponçage adapté à cette machine.
- Utilisez uniquement du papier de ponçage aux dimensions correctes. Veillez à ce que le papier de ponçage soit correctement monté.
- Vérifiez le papier de ponçage avant chaque utilisation. N'utilisez pas un papier de ponçage usé par un usage prolongé.
- Ne posez jamais la machine sur une table ou un établi sans l'avoir mise hors tension.

## 2. INFORMATIONS RELATIVES À LA MACHINE

### Utilisation prévue

La machine a été conçue pour poncer le bois, le plastique et le métal. Cette machine n'est prévue que pour le ponçage à sec. La machine n'est pas adaptée pour traiter les objets contenant de l'amiante. Toute utilisation incorrecte peut endommager l'outil.

### SPÉCIFICATIONS TECHNIQUES



*Ce manuel a été élaboré pour plusieurs kits / numéros d'articles différents. Consultez le numéro d'article correspondant à votre produit dans le tableau des caractéristiques qui suit pour obtenir la composition et le contenu corrects de votre kit.*

N° de modèle	OS503DC	S_ OS503DC	S2_ OS503DC	S3_ OS503DC
Batteries incluses	-	CD801AA	2 x CD801AA	CD803AA
Chargeur inclus	-	CD802AA		
Tension	20V			
Vitesse à vide	5.000-10.000/min			
Diamètre patin de ponçage	125mm			
Poids	1.20 kg			
Pression acoustique LPA	77.1 dB(A), K=3dB(A)			
Puissance acoustique LWA	88.1 dB(A), K=3dB(A)			
Vibration	7.511 m/s <sup>2</sup> K=1.5 m/s <sup>2</sup>			

Le chargeur suivant peut être utilisé pour recharger ces batteries.

CD802AA Chargeur rapide

Les batteries de la plateforme Batterie VONROC VPOWER 20V sont interchangeables pour tous les outils de la plateforme Batterie VONROC VPOWER 20V.

### Niveau de vibrations

Le niveau de vibrations émises indiqué en ce manuel d'instruction a été mesuré conformément à l'essai normalisé de la norme EN 62841; il peut être utilisé pour comparer plusieurs outils et pour réaliser une évaluation préliminaire de l'exposition aux vibrations lors de l'utilisation de l'outil pour les applications mentionnées:

- l'utilisation de l'outil dans d'autres applications, ou avec des accessoires différents ou mal entretenus, peut considérablement augmenter le niveau d'exposition.
- la mise hors tension de l'outil et sa non-utilisation pendant qu'il est allumé peuvent considérablement réduire le niveau d'exposition.

Protégez-vous contre les effets des vibrations par un entretien correct de l'outil et de ses accessoires, en gardant vos mains chaudes et en structurant vos schémas de travail.

### DESCRIPTION

Les numéros dans le texte se rapportent aux schémas des page 2-3.

1. Interrupteur de marche/arrêt
2. Sac à poussières
3. Molette de réglage de vitesse
4. Patin de ponçage
- 5A. Poignée supérieure
- 5B. Poignée inférieure
6. Port d'extraction des poussières
7. Bouton de déverrouillage de la batterie
8. Batterie
9. Papier abrasif
10. Bague en caoutchouc
11. Temoins de la batterie
12. Temoins de la batterie
13. Chargeur
14. Temoins du chargeur
- 15A. Raccord pour l'aspiration
- 15B. Adaptateur pour l'aspiration

N° de modèle	CD801AA
Type de batterie	Lithium-Ion
Tension	20V
Capacité	2.0 Ah
Chargeurs recommandés	CD802AA
Poids	0.3 kg

N° de modèle	CD803AA
Type de batterie	Lithium-Ion
Tension	20V
Capacité	4.0 Ah
Chargeurs recommandés	CD802AA
Poids	0.65 kg

N° de modèle	CD802AA
Entree chargeur	220-240V, 50Hz 0.4A
Sortie chargeur	21V  2.5A
Duree de charge 2Ah Batterie	60 minutes
Duree de charge 4Ah Batterie	120 minutes
Accus recommandés	CD801AA, CD803AA
Poids	0.36 kg

N'utilisez que les batteries suivantes de la plateforme Batterie VONROC VPOWER 20V. L'utilisation de toute autre batterie pourrait provoquer de graves blessures ou endommager l'outil.

CD801AA 20V, 2Ah Lithium-Ion  
 CD803AA 20V, 4Ah Lithium-Ion

### 3. MONTAGE



Avant tous travaux sur l'outil électroportatif, sortez l'accu.



Vous devez charger la batterie avant la première utilisation.

#### Insertion de la batterie dans la machine (Fig. C)



Vérifiez que la surface extérieure de la batterie est propre et sèche avant de brancher le chargeur ou la machine.

1. Insérez la batterie (8) dans la base de la machine, comme illustré à la Fig. C.
2. Poussez la batterie vers l'avant jusqu'à ce qu'elle s'enclenche.

#### Retrait de la batterie de la machine (Fig. C)

1. Poussez les boutons de déverrouillage de la batterie (7).
2. Retirez la batterie de la machine, comme illustré à la Fig. C.

#### Contrôle de l'état de charge de la batterie (Fig. E)

- Pour vérifier l'état de charge de la batterie, appuyez brièvement sur le bouton (11) de la batterie.
- Quatre voyants indiquent le niveau de charge de la batterie. Plus il y a de voyants allumés, plus la charge est importante.
- Lorsque les voyants sont éteints cela indique que la batterie est vide et qu'elle doit être rechargée immédiatement.

#### Recharge de la batterie avec le chargeur (Fig. E)

1. Retirez la batterie (8) de la machine.
2. Retournez la batterie (8) et faites-la glisser dans le chargeur (13), comme illustré à la Fig. E.
3. Enfoncez la batterie tout au fond du logement.
4. Branchez la fiche du chargeur dans une prise électrique et patientez. Les indicateurs à LED sur le chargeur (13) s'allument et indiquent l'état du chargeur.

#### Le chargeur possède deux indicateurs à LED (14) qui indiquent l'état du processus de charge:

État de l'indicateur à LED rouge	État de l'indicateur à LED vert	État du chargeur
Éteint	Éteint	Aucune alimentation
Éteint	Allumé	Mode veille: - Aucune batterie n'est insérée ou - La batterie est insérée, mais la charge s'est achevée
Allumé	Éteint	Batterie en cours de charge

- Il faut compter jusqu'à 60 minutes pour recharger complètement la batterie 2Ah.
- Il faut compter jusqu'à 120 minutes pour recharger complètement la batterie 4Ah.

Lorsque la batterie est entièrement chargée, débranchez le chargeur de la prise secteur et retirez la batterie du chargeur.



Quand la machine n'est pas utilisée pendant une période prolongée, il est préférable d'entreposer la batterie rechargée.

#### Extraction externe des poussières

Le raccord pour l'aspiration (15A) permet de raccorder un aspirateur à la machine. Un adaptateur d'aspiration (15B) est également à disposition. Il permet l'utilisation d'un tuyau d'aspiration de plus petit diamètre.

#### Installer le sac à poussière (Fig. D)

Il est fortement conseillé d'utiliser la machine avec son sac à poussière (2), qui garantit la récupération optimale des poussières.

- Glissez le sac à poussière (2) sur le raccord pour sac à poussière (6) tout en le tournant légèrement.
- Glissez le sac à poussière (2) en le tournant jusqu'à ce qu'il se trouve légèrement au-dessus de la bague en caoutchouc (10), fixé en place.

**Remarque :** Le bac à poussière doit être vidé lorsqu'il est moitié-plein afin que maintenir la récupération optimale des poussières.

**Installer et retirer le papier abrasif (Fig. B)**

- Tenez la machine sur le côté ou à l'envers.
- Installez un papier abrasif (9) dont les grains sont de la bonne grosseur sur le patin de ponçage (4). Assurez-vous que les trous du papier abrasif (9) correspondent aux trous du patin de ponçage (4).
- Pour retirer le papier abrasif (9), soulevez-le simplement du patin de ponçage (4).

**Remarque:** Utilisez un papier abrasif à gros grains pour les ponçages grossiers de surfaces irrégulières. Utilisez un papier abrasif à grains moyens pour supprimer les rayures restantes après le passage du papier à gros grains. Utilisez un papier abrasive fin pour les finitions de surfaces.

**4. FONCTIONNEMENT****Mettre en marche et éteindre (Fig. A)**

- Pour allumer la machine, enfoncez l'interrupteur Marche/Arrêt (1) vers la position I.
- Pour éteindre la machine, enfoncez l'interrupteur Marche/Arrêt (1) jusqu'à la position 0.

**Réglage de la vitesse (Fig. A)**

La molette de réglage de vitesse (3) sert à ajuster la vitesse. La molette de réglage de vitesse peut adopter 6 positions. La vitesse idéale dépend du grain nécessaire et du matériau ouvré.

**Conseils pour une utilisation optimale**

- Serrez la pièce à ouvrir.
- Maintenez fermement la machine à deux mains.
- Mettez la machine en marche.
- Placez le patin de ponçage avec le papier de ponçage sur la pièce à ouvrir.
- Déplacez lentement la machine sur la pièce à ouvrir en appuyant fermement le patin de ponçage dessus.
- N'exercez pas de pression excessive sur la machine. Laissez la machine faire le travail.
- Éteignez la machine et attendez son immobilisation totale avant de la reposer.

**5. ENTRETIEN**

Avant le nettoyage et l'entretien, mettez toujours la machine hors tension et retirez la batterie de la machine.

Nettoyez le corps de la machine régulièrement au moyen d'un chiffon doux, de préférence après chaque utilisation. Vérifiez que les ouvertures d'aération ne sont pas obstruées ni sales. Utilisez un chiffon doux légèrement humidifié avec de la mousse de savon pour nettoyer les taches persistantes. N'utilisez pas de produits de nettoyage tels que l'essence, l'alcool, l'ammoniac, etc.; ces produits peuvent endommager les parties synthétiques.

**ENVIRONNEMENT**

Les équipements électroniques ou électriques défectueux ou destinés à être mis au rebut doivent être déposés aux points de recyclage appropriés.

**Only for EC countries**

Uniquement pour les pays de l'UE Ne jetez pas les outils électriques avec les déchets domestiques. Selon la Directive européenne 2012/19/CE relative aux déchets d'équipements électriques et électroniques et sa mise en oeuvre dans le droit national, les outils électriques hors d'usage doivent être collectés séparément et mis au rebut de manière écologique.

**GARANTIE**

Les produits VONROC sont développés aux plus hauts standards de qualité et ils sont garantis contre les défauts de pièces et de main d'oeuvre pendant la durée légale stipulée à partir de la date d'achat d'origine du produit. En cas d'une quelconque panne du produit pendant cette durée qui serait due à un défaut matériel et/ou de main d'oeuvre, contactez directement VONROC.

Les circonstances suivantes ne sont pas prises en charge par la garantie:

- Des réparations ou altérations ont été effectuées ou tentées sur la machine par un centre de réparation non agréé.
- L'usure normale.
- L'outil a été maltraité, mal utilisé ou mal entretenu.
- Des pièces détachées non d'origine ont été utilisées.

Ceci constitue l'unique garantie accordée par la société explicitement ou implicitement. Il n'existe

aucune autre garantie, explicite ou implicite, qui peut s'étendre au delà du contenu ici présent, y compris les garanties marchandes ou d'adaptation à des fins particulières. En aucun cas VONROC ne sera tenu responsable de dommages accidentels ou consécutifs. Les solutions proposées par les revendeurs devront se limiter à la réparation ou le remplacement des éléments ou pièces non conformes.

**Le produit et le manuel d'utilisation sont sujets à modifications. Les spécifications peuvent changer sans préavis.**

## 1. INSTRUCCIONES DE SEGURIDAD

Lea las advertencias de seguridad, las advertencias de seguridad adicionales y las instrucciones adjuntas. De no respetarse las advertencias de seguridad y las instrucciones, podrían producirse descargas eléctricas, incendios y/o lesiones graves. Conserve las advertencias de seguridad y las instrucciones para su posterior consulta.

Los siguientes símbolos se utilizan en el manual de usuario o en el producto:



*Lea el manual de usuario.*



*Denota riesgo de lesiones personales, pérdida de vida o daños a la herramienta en caso de incumplimiento de las instrucciones del presente manual.*



*Use gafas de seguridad.  
Use protección auditiva.*



*Use una máscara contra el polvo.*



*Fusible cinta miniatura de tipo retardado.*



*Temperatura máx. 45°C.*



*No arroje la batería al fuego.*



*No arroje la batería al agua.*



*No desechar el producto en inadecuado contenedores.*



*Recogida selectiva de la batería de iones de litio.*



*El producto está de acuerdo con el normas de seguridad aplicables en el ámbito europeo directivas.*

### INSTRUCCIONES GENERALES DE SEGURIDAD



**PRECAUCIÓN!** *Lea todas las advertencias de seguridad y todas las instrucciones. Si no lo hace, el uso indebido puede acarrear cortocircuitos, fuego o lesiones graves.*



**Conserve estas instrucciones.**

El término “herramienta eléctrica”, en todas las advertencias enumeradas a continuación se refiere a su herramienta eléctrica (i nalámbrica) que funciona con una batería o a través de la red eléctrica.

**1) Área de trabajo****a) Trabaje en un lugar limpio y bien iluminado.**

Lugares no iluminados o sucios propician accidentes.

**b) No use herramientas eléctricas donde haya riesgo de fuego o explosión, p.ej: cerca de líquidos o gases inflamables, polvo etc.**

Las herramientas eléctricas producen chispas que pueden producir la ignición de partículas de humo.

**c) Mantenga a los niños y otras personas alejados mientras utiliza la herramienta eléctrica.**

Las distracciones pueden hacer que pierda el control de la herramienta.

**2) Seguridad eléctrica****a) Cerciórese de que las clavijas de la herramienta eléctrica están correctamente enchufadas. Nunca modifique la clavija. No utilice ningún adaptador para la clavija de una herramienta eléctrica con conexión a tierra.**

Las clavijas que no se hayan cambiado y los enchufes adecuados reducen el riesgo de cortocircuitos.

**b) Evite el contacto humano con superficies con conexiones a tierra como tubos metálicos, conductos, tubos de la calefacción, radiadores y refrigeradores.**

El riesgo de cortocircuitos es mayor cuando el cuerpo está en contacto con el suelo.

**c) No use herramientas eléctricas bajo la lluvia o en entornos húmedos.**

Si entra agua en una herramienta eléctrica aumenta el riesgo de cortocircuito.

**d) No utilice el cable para todo. Nunca utilice el cable para mover la máquina, empujarla o sacar la clavija del enchufe. Mantenga el cable alejado del calor, aceite, zonas cortantes o piezas en movimiento.**

Los cables dañados o enredados aumentan el riesgo de cortocircuito.

**e) Use un cable alargador impermeable adecuado para exteriores cuando trabaje con la herramienta eléctrica al aire libre.**

El riesgo de cortocircuito es menor si utiliza un cable alargador adecuado para exteriores.

**f) Si no se puede evitar el uso de la herramienta eléctrica en un lugar húmedo, use suministro**

**protegido mediante dispositivo diferencial residual (DDR).** El uso de un DDR reduce el riesgo de choque eléctrico.

**h) No permita que la familiaridad adquirida con el uso frecuente de las herramientas le haga confiarse e ignorar los principios de seguridad de las herramientas.**

Una acción descuidada puede causar lesiones graves en una fracción de segundo.

**3) Seguridad personal****a) No se descuide, preste atención a lo que está haciendo y utilice el sentido común mientras trabaje con esta herramienta. No use herramientas eléctricas cuando esté cansado o esté bajo los efectos del alcohol, las drogas o los medicamentos.**

Un momento de distracción, mientras utilice la herramienta eléctrica, puede provocar lesiones personales graves.

**b) Use equipo de protección individual. Use siempre gafas protectoras.**

El uso en condiciones apropiadas del equipo de seguridad como por ejemplo: mascarilla antipolvo, zapatos antideslizantes de seguridad, casco o protección para los oídos, disminuye el riesgo de sufrir lesiones personales.

**c) Evite arranques involuntarios. Asegúrese de que el interruptor está en la posición de apagado antes de conectarlo a la fuente de electricidad.**

Transportar herramientas eléctricas con el dedo puesto sobre el interruptor o enchufarlas con el interruptor encendido puede causar accidentes.

**d) Quite cualquier llave de ajuste antes de encender la herramienta eléctrica.**

Una llave olvidada junto a una pieza móvil de la herramienta eléctrica puede provocar lesiones personales graves.

**e) No se estire demasiado. Mantenga siempre el equilibrio y tenga los pies en el suelo.**

Esto permite un mayor control de la herramienta eléctrica en situaciones inesperadas.

**f) Vístase apropiadamente. No lleve prendas holgadas o joyas. Mantenga su pelo, ropa y guantes alejados de las piezas móviles.**

Las prendas holgadas, las joyas y el pelo largo pueden quedar atrapados en las piezas móviles.

**g) Si se han suministrado dispositivos para la extracción y recogida de polvo asegúrese de que estos estén conectados y se utilicen correctamente.**

El uso de estos dispositivos puede reducir los riesgos relacionados con el polvo.

**h) Mantenga las asas y las superficies de agarre secas, limpias y libres de aceite y grasa.**

Las

asas y las superficies de agarre resbaladizas no permiten un manejo y control seguros de la herramienta en situaciones inesperadas.

#### 4) Utilización y cuidados de la herramienta eléctrica

- a) **No fuerce la herramienta eléctrica. Utilice la herramienta eléctrica adecuada para el trabajo que vaya a realizar.** Una herramienta eléctrica apropiada realizará un trabajo mejor y más seguro si se utiliza para el objetivo con el que ha sido diseñada.
- b) **No use herramientas que no pueden encenderse o apagarse con el interruptor.** Las herramientas que ya no se puedan encender y apagar son peligrosas y deben repararse.
- c) **Desenchufe la clavija de la toma de electricidad antes de realizar modificaciones, cambiar accesorios o guardar las herramientas eléctricas.** Tales medidas de seguridad preventivas reducen el riesgo de la puesta en marcha accidental.
- d) **Mantenga a los niños alejados de una herramienta eléctrica sin utilizar y no permita a personas que no estén familiarizadas con la máquina o estas instrucciones utilizar la herramienta.** La herramienta eléctrica puede ser peligrosa cuando la utilicen personas sin experiencia.
- e) **Conserve sus herramientas cuidadosamente. Verifique cualquier desalineación o agrietamiento de piezas móviles, piezas dañadas y cualquier otra causa, que pudiera repercutir en el buen funcionamiento de la herramienta eléctrica. Si la herramienta está estropeada, repárela antes de utilizarla.** Muchos de los accidentes están causados por un mantenimiento insuficiente del equipo eléctrico.
- f) **Mantenga las herramientas de corte limpias y afiladas.** Sierras con esquinas cortantes con un buen mantenimiento se bloquean menos y son más fáciles de controlar.
- g) **Utilice la herramienta eléctrica, accesorios y brocas etc. Siguiendo las instrucciones atendiendo al tipo de herramienta eléctrica y tenga en cuenta las condiciones de trabajo y el tipo de trabajo que se va a realizar.** Puede ser peligroso realizar trabajos con la herramienta diferentes de aquellos para los que está diseñada.

#### 5) Uso y cuidado de las herramientas alimentadas por batería

- a) **Recargue las baterías únicamente con el cargador recomendado por el fabricante.** Un

cargador que es apto para un tipo de baterías determinado puede provocar riesgo de incendio si se usa para cargar otra clase de baterías.

- b) **Use las herramientas eléctricas sólo con las baterías indicadas específicamente.** El uso de otra clase de baterías diferente puede ocasionar el riesgo de derivar en lesiones o un incendio.
- c) **Cuando el paquete de baterías no esté en uso, consérvelo retirado de objetos metálicos como sujetapapeles, monedas, llaves, clavos, tornillos o cualquier otro objeto metálico pequeño que pueda hacer puente entre las terminales.** El contacto entre las terminales de la batería puede causar quemaduras o incendio.
- d) **Bajo condiciones extremas de abuso la batería podría expulsar un líquido; evite todo contacto. Si se produjese contacto accidentalmente, lávese bien con agua. Si el líquido hace contacto con los ojos, consulte también al médico.** El líquido emanado de la batería puede causar irritaciones o quemaduras.
- e) **No utilice una batería o una herramienta que esté dañada o modificada.** Las baterías dañadas o modificadas pueden presentar un comportamiento impredecible y provocar un incendio, una explosión o riesgo de lesiones.
- f) **No exponga una batería o una herramienta al fuego o a temperatura excesiva.** La exposición al fuego o a temperaturas superiores a 130 °C puede provocar una explosión. NOTA La temperatura "130 °C" puede sustituirse por la temperatura "265 °F".
- g) **Siga todas las instrucciones de carga y no cargue la batería o la herramienta fuera del rango de temperatura especificado en las instrucciones.** La carga incorrecta o a temperaturas fuera del rango especificado puede causar daños a la batería y aumentar el riesgo de incendio.

#### 6) Servicio

- a) **Haga reparar su herramienta eléctrica por una persona cualificada, usando solo piezas de repuesto idénticas.** Esto garantiza que se mantenga la seguridad de la herramienta eléctrica.
- b) **Nunca repare las baterías dañadas.** El mantenimiento de las baterías debe ser realizado solo por el fabricante o los proveedores de servicio autorizados.

## ADVERTENCIAS DE SEGURIDAD ADICIONALES PARA LIJADORAS ORBITALES



*El contacto o la inhalación del polvo liberado durante el uso (p. ej. superficies con pintura con plomo, madera y metal) puede poner en peligro su salud y la de las personas a su alrededor. Lleve siempre los equipos de protección adecuados, como una máscara antipolvo. Utilice siempre una extracción de polvo adecuada durante el uso.*

- No trabaje con materiales que contengan amianto. El amianto se considera cancerígeno.
- No utilice la máquina para lijar piezas de trabajo de magnesio.
- Lleve gafas de seguridad. Lleve protección auditiva. En caso necesario, utilice otros medios de protección, como guantes de seguridad, calzado de seguridad, etc.
- Sujete la máquina por las superficies de agarre aisladas cuando el accesorio pueda entrar en contacto con cables ocultos o el cable eléctrico. Si el accesorio entra en contacto con un cable con corriente, las partes metálicas expuestas de la máquina también pueden tener corriente. Riesgo de descarga eléctrica.
- Tenga mucho cuidado al lijar superficies pintadas.
- Antes del uso, quite todos los clavos y otros objetos metálicos de la pieza de trabajo.
- Asegúrese de que la pieza de trabajo esté debidamente apoyada o fijada.
- Utilice únicamente papel de lija que sea adecuado para su uso con la máquina.
- Utilice únicamente papel de lija con las dimensiones correctas. Asegúrese de que el papel de lija esté debidamente montado.
- Inspeccione el papel de lija antes de cada uso. No utilice papel de lija que esté desgastado debido a un uso prolongado.
- Nunca ponga la máquina sobre una mesa o un banco de trabajo sin haberla desconectado previamente.

## ADVERTENCIAS DE SEGURIDAD PARA LA BATERÍA

- a) **No abra la batería.** Existe peligro de cortocircuito.
- b) **Proteja la batería del calor, p. ej., de la luz solar intensa continua, los incendios, el agua y la humedad.** Peligro de explosión.
- c) **En caso de daño y uso incorrecto de la batería, esta puede emitir vapores.** Ventile el área y

**consulte un médico si se siente mal.** Los vapores pueden irritar el sistema respiratorio.

- d) **Utilice la batería solo junto con su producto Vonroc.** Esta medida protege la batería de sobrecargas peligrosas.
- e) **La batería se puede dañar con objetos puntiagudos como clavos o destornilladores o si se somete a alguna fuerza exterior.** Puede producirse un cortocircuito interno que dé lugar a que la batería se incendie, emita humo, explote o se sobrecaliente.

## ADVERTENCIAS DE SEGURIDAD PARA EL CARGADOR

### Uso previsto

Cargue solo las baterías recargables CD801AA y CD803AA con el cargador. Otros tipos de baterías pueden estallar y causar lesiones y daños.

- a) **El aparato no debe ser usado por personas (incluidos niños) con capacidad física, sensorial o mental reducida, o que no tengan experiencia o conocimiento suficientes, salvo que hayan sido capacitadas o estén bajo supervisión.**
- b) **Controle que los niños no jueguen con el aparato.**
- c) **No recargue baterías no recargables.**
- d) **Durante la carga, las baterías deben colocarse en un lugar bien ventilado.**

### Seguridad eléctrica



*Compruebe siempre que la tensión del suministro eléctrico corresponda con la tensión de la placa de características.*

- No utilice la máquina si el cable o el enchufe eléctrico han sufrido daños.
- Utilice únicamente cables alargadores que sean adecuados para la potencia nominal de la máquina con un grosor mínimo de 1,5 mm<sup>2</sup>. Si utiliza un cable alargador en rollo, desenrolle totalmente el cable.

## 2. INFORMACIÓN DE LA MÁQUINA

### Uso previsto

La máquina se ha diseñado para lijar madera, plástico y metales. La máquina solo es apta para lijado en seco. La máquina no es adecuada para procesar objetos que contengan amianto. El uso inadecuado puede dañar la herramienta.

**ESPECIFICACIONES TÉCNICAS**

*Este manual ha sido redactado para diferentes números de juegos / artículos. Compruebe el número de artículo correspondiente en la siguiente tabla de especificaciones para conseguir la composición y el contenido correctos de su juego.*

Modelo n.º	OS503DC	S_ OS503DC	S2_ OS503DC	S3_ OS503DC
Baterías incluidas	-	CD801AA	2 x CD801AA	CD803AA
Cargador incluido	-	CD802AA		
Tensión de red	20V			
Velocidad sin carga	5.000-10.000/min			
Diámetro del disco	125mm			
Peso	1.20 kg			
Nivel de presión acústica LPA	77.1 dB(A), K=3dB(A)			
Nivel de presión acústica LWA	88.1 dB(A), K=3dB(A)			
Vibración	7.511 m/s² K=1.5 m/s²			

Modelo n.º	CD801AA
Tipo de batería	Lithium-Ion
Voltaje	20V
Capacidad	2.0 Ah
Cargador recomendado	CD802AA
Peso	0.3 kg

Modelo n.º	CD803AA
Tipo de batería	Lithium-Ion
Voltaje	20V
Capacidad	4.0 Ah
Cargador recomendado	CD802AA
Peso	0.65 kg

Modelo n.º	CD802AA
Entrada del cargador	220-240V, 50Hz 0.4A
Salida del cargador	21V  2.5A
Tiempo de carga de la batería de 2 Ah	60 minutes
Tiempo de carga de la batería de 4 Ah	120 minutes
Batterie consigliate	CD801AA, CD803AA
Peso	0.36 kg

Use solo las siguientes baterías de la plataforma de baterías VONROC POWER 20V. El uso de cualquier otra batería puede causar lesiones graves o dañar la herramienta.

CD801AA 20V, 2 Ah de iones de litio  
CD803AA 20V, 4 Ah de iones de litio

Para cargar estas baterías se puede utilizar el siguiente cargador de batería.  
CD802AA Cargador rápido

Las baterías de la plataforma de baterías VONROC POWER 20V son intercambiables con todas las herramientas de la plataforma de baterías VONROC POWER 20V.

**Nivel de vibración**

El nivel de emisión de vibraciones indicado en este manual de instrucciones ha sido medido según una prueba estándar proporcionada en EN 62841; puede utilizarse para comparar una herramienta con otra y como valoración preliminar de la exposición a las vibraciones al utilizar la herramienta con las aplicaciones mencionadas.

- al utilizarla para distintas aplicaciones o con accesorios diferentes o con un mantenimiento deficiente, podría aumentar de forma notable el nivel de exposición.
- en las ocasiones en que se apaga la herramienta o cuando está funcionando pero no está realizando ningún trabajo, se podría reducir el nivel de exposición de forma importante.

Protéjase contra los efectos de la vibración realizando el mantenimiento de la herramienta y sus accesorios, manteniendo sus manos calientes y organizando sus patrones de trabajo.

### DESCRIPCIÓN

Los números del texto se refieren a los diagramas en la página 2-3.

1. Interruptor de encendido/apagado
2. Bolsa para el polvo
3. Rueda de ajuste de velocidad
4. Almohadilla de lijado
- 5A. Empuñadura superior
- 5B. Empuñadura inferior
6. Conexión para la extracción de polvo
7. Botón de desbloqueo de la batería
8. Batería
9. Papel de lijar
10. Anillo de goma
11. Boton de indicadores LED de bateria
12. Indicadores LED de la batería
13. Cargador
14. Indicadores LED del cargador
- 15A. Conexión para aspiradora
- 15B. Adaptador para aspiradora

### 3. MONTAJE



Antes de realizar cualquier trabajo en la herramienta eléctrica, extraiga la batería.



Debe cargarse la batería antes de usar por primera vez la herramienta.

#### Insertar la batería en la máquina (Fig. C)



Compruebe que la parte exterior de la batería esté limpia y seca antes de colocarla en el cargador o en la máquina.

1. Inserte la batería (8) en la base de la máquina como se muestra en la Fig. C.
2. Pulse la batería más hacia delante hasta que haga clic en su sitio.

#### Extracción de la batería de la máquina (Fig. C)

1. Presione el botón de desbloqueo de la batería (7).
2. Extraiga la batería de la máquina como se muestra en la Fig. C.

#### Comprobación del estado de carga de la batería (Fig. E)

- Para comprobar el estado de carga de la batería, apriete brevemente el botón (11) de la batería.

- La batería tiene 3 luces que indican el nivel de carga, cuantas mas luces esten encendidas, mas batería queda.
- Cuando las luces estan apagadas significa que la batería esta vacia y debe cargarse inmediatamente.

#### Carga de la batería con el cargador (Fig. E)

1. Extraiga la batería (8) de la máquina.
2. De vuelta la batería (8) y deslicela en el cargador (13) como se muestra en la Fig E.
3. Empuje la batería hasta que quede totalmente colocada en la ranura.
4. Enchufe el enchufe del cargador en una toma de corriente eléctrica y espere un poco. Los indicadores de LED del cargador (13) se encenderan y mostraran el estado del cargador.

#### El cargador tiene 2 indicadores de LED (14) que indican el estado del proceso de carga:

LED de estado ROJO	LED de estado verde	Estado de la carga
Desactivado	Desactivado	Sin alimentación
Desactivado	Activado	Modo espera: - No hay ninguna batería insertada o, - Se ha insertado la batería pero el proceso de carga ha finalizado
Activado	Desactivado	Carga de la batería en curso

- La carga completa de la batería de 2 Ah puede llevar hasta 60 minutos.
- La carga completa de la batería de 4 Ah puede llevar hasta 120 minutos.

Después de que la batería este totalmente cargada, desenchufe el enchufe del cargador de la toma de corriente y extraiga la batería del cargador.



Cuando la no vaya a utilizarse la maquina durante un periodo de tiempo prolongado, es conveniente guardar la batería cargada.

#### Extracción de polvo externa

La conexión para aspiradora (15A) permite conectar una aspiradora a la máquina. También se

suministra un adaptador para aspiradora (15B), que permite usar tubos de aspiradoras de menor diámetro.

#### Conexión de la bolsa para polvo (Fig. D)

Se recomienda encarecidamente la utilización de la máquina con la bolsa para polvo (2), con el fin de garantizar una recogida óptima del polvo.

- Deslice la bolsa para polvo (2) en el puerto de extracción del polvo (6) mediante un ligero movimiento de torsión.
- Siga enroscando hasta que la bolsa para el polvo (2) esté ligeramente sobre el anillo de goma (10), dejándola colocada.

**Nota:** La caja para el polvo debe vaciarse cuando esté llena hasta la mitad, para mantener una recogida óptima del polvo.

#### Colocación y extracción del papel de lijar (Fig. B)

- Sujete la máquina de lado o boca abajo
- Coloque el papel de lijar (9) del grano que desee en la almohadilla para lijar (4). Compruebe que el orificio del papel de lijar (9) coincida con el orificio de la almohadilla para lijar (4)
- Para extraer el papel de lijar (9), solo tiene que tirar del papel para sacarlo de la almohadilla para lijar (4).

**Nota:** Utilice papel de lija de grano grueso para lijar superficies ásperas e irregulares. Utilice papel de lija de grano mediano para eliminar los arañazos dejados por el papel de grano grueso. Utilice papel de lija de grano fino para el acabado de las superficies.

## 4. FUNCIONAMIENTO

#### Encendido y apagado (Fig. A)

- Para encender la máquina, pulse el interruptor de encendido/apagado (1) para ponerlo en posición I.
- Para apagar la máquina, suelte el interruptor de encendido/apagado (1) para ponerlo en posición 0.

#### Ajuste de la velocidad (Fig. A)

La rueda de ajuste de velocidad (3) se utiliza para ajustar la velocidad. La rueda de ajuste de velocidad puede situarse en 6 posiciones. La velocidad ideal depende del tamaño de grano deseado y del material que va a trabajarse.

#### Consejos para un uso óptimo

- Fije la pieza de trabajo.
- Sujete la máquina firmemente con ambas manos.
- Encienda la máquina.
- Coloque la almohadilla de lijado con el papel de lija sobre la pieza de trabajo.
- Mueva lentamente la máquina sobre la pieza de trabajo, presionando firmemente la almohadilla de lijado contra la pieza de trabajo.
- No aplique demasiada presión sobre la máquina. Deje que la máquina haga el trabajo.
- Apague la máquina y espere que ésta se detenga completamente antes de dejarla.

## 5. MANTENIMIENTO



*Antes de realizar la limpieza y el mantenimiento, apague siempre la máquina y extraiga el paquete de baterías de la máquina.*

Limpie regularmente la carcasa de la máquina con un paño suave, preferentemente después de cada uso. Compruebe que los orificios de ventilación estén libres de polvo y suciedad. Elimine el polvo persistente utilizando un paño suave humedecido con agua y jabón. No use disolventes tales como gasolina, alcohol, amoníaco, etc. Tales productos químicos pueden dañar los componentes sintéticos.

## MEDIOAMBIENTE



*Los aparatos eléctricos o electrónicos defectuosos y/o desechados deben recogerse en lugares de reciclado apropiado.*

#### Solo para países de la Comunidad Europea

No elimine las herramientas eléctricas como residuos domésticos. De acuerdo con la Directiva europea 2012/19/CE sobre residuos de aparatos eléctricos y electrónicos, y su transposición a las legislaciones nacionales, las herramientas eléctricas que ya no se utilizan deben recogerse por separado y eliminarse en modo ecológico.

## CONDICIONES DE GARANTÍA

Los productos VONROC han sido desarrollados con los más altos estándares de calidad y VONROC garantiza que están exentos de defectos relacionados con los materiales y la fabricación durante el periodo legalmente estipulado, a contar desde la fecha de compra original. En caso de que el producto presente defectos relacionados con los materiales y/o la fabricación durante este periodo, póngase directamente en contacto VONROC.

La presente garantía se excluye en los siguientes casos:

- Si centros de servicios no autorizados han realizado o han intentado realizar reparaciones y/o alteraciones a la máquina.
- Si se ha producido un desgaste normal.
- Si la herramienta ha sido mal tratada o usada en modo impropio, o se ha realizado incorrectamente su mantenimiento.
- Si se han utilizado piezas de repuesto no originales.

La presente constituye la única garantía implícita y explícita que ofrece la compañía. No existen otras garantías explícitas o implícitas que excedan las citadas aquí, incluidas las garantías implícitas de comerciabilidad e idoneidad para una finalidad en especial. VONROC no será considerada responsable en ningún caso por daños incidentales o consecuentes. Los recursos a disposición de los distribuidores se limitan a la reparación o a la sustitución de las unidades o piezas no conformes.

**El producto y el manual de usuario están sujetos a variaciones. Las especificaciones pueden variarse sin previo aviso.**

## 1. ISTRUZIONI DI SICUREZZA

Leggere accuratamente gli avvisi di sicurezza, gli avvisi di sicurezza aggiuntivi e le istruzioni. La mancata osservanza degli avvisi di sicurezza e delle istruzioni potrebbe causare scosse elettriche, incendio e/o gravi lesioni. Mantenere gli avvisi di sicurezza e le istruzioni a portata di mano per future consultazioni.

I seguenti simboli sono utilizzati nel presente manuale utente o sul prodotto:



*Leggere il manuale per l'utente.*



*Denota il rischio di lesioni personali, morte o danni all'utensile in caso di mancata osservanza delle istruzioni contenute nel presente manuale.*



*Indossare occhiali di protezione. Indossare protezioni per l'udito.*



*Indossare una mascherina anti-polvere.*



*Fusibile miniaturizzato a tempo ritardato.*



*Temperatura massima 45° C.*



*Non gettare la batteria nel fuoco.*



*Non gettare la batteria nell'acqua.*



*Non smaltire il prodotto in contenitori non idonei.*



*Raccolta differenziata per la batteria agli ioni di litio.*



*Il prodotto è conforme agli standard pertinenti in materia di sicurezza previsti dalla legislazione Europea.*

### REGOLE GENERALI DI SICUREZZA



**ATTENZIONE! Leggere tutte le avvertenze di sicurezza e tutte le istruzioni.** Se non si seguono tutte le istruzioni sotto elencate, si può incorrere in uno shock elettrico, in un incendio e/o in lesioni serie.

### Conservare queste istruzioni.

Il termine "arnese elettrico" in tutti gli avvertimenti sotto elencati si riferisce al vostro arnese elettrico che funziona a corrente (con filo) o ad un arnese che funziona a pile (senza filo).

#### 1) Area di lavoro

- a) **Mantenere l'area di lavoro pulita e ben illuminata.** Aree buie e disordinate favoriscono gli incidenti.
- b) **Non usare arnesi elettrici in atmosfere esplosive, come vicino ai liquidi infiammabili, gas o polveri.** Gli arnesi elettrici creano scintille che possono incendiare la polvere dei vapori.
- c) **Tenere lontani bambini e altre persone mentre si accende l'arnese elettrico.** Le distrazioni possono farvi perdere il controllo.

#### 2) Sicurezza elettrica

- a) **Le spine dell'arnese elettrico devono andare bene per la presa di corrente. Non modificare mai la spina in alcun modo. Non usare alcun adattatore con arnesi elettrici a terra (messo a terra).** Spine non modificate che vanno bene per le prese di corrente ridurranno il rischio di shock elettrico.
- b) **Evitare il contatto corporeo con superfici a terra come tubature, radiatori, fornelli e refrigeratori.** C'è un rischio maggiore di shock elettrico se il vostro corpo è a terra.
- c) **Non esporre arnesi elettrici alla pioggia o a condizioni di umidità.** Se dell'acqua penetra nell'arnese elettrico aumenterà il rischio di shock elettrico.
- d) **Non abusare del filo. Non usare mai il filo per trasportare, spingere o staccare dalla presa l'arnese elettrico. Tenere il filo lontano da calore, olio, bordi taglienti o parti mobili.** Fili danneggiati o aggrovigliati aumentano il rischio di shock elettrico.
- e) **Quando si accende un arnese elettrico all'aperto, usare una prolunga adatta a tale uso.** Usare un filo adatto all'uso all'aperto ridurrà il rischio di shock elettrico.
- f) **Se non è possibile evitare l'uso di un elettrotensile in ambiente umido, usare una rete di alimentazione protetta da un interruttore differenziale (salvavita).** L'uso di un salvavita riduce il rischio di scosse elettriche.

#### 3) Sicurezza personale

- a) **Stare vigili e attento quando si accende un arnese elettrico. Non usare un arnese elettrico**

**mentre si è stanco o sotto l'effetto di droghe, alcool o medicinali.** Un momento di disattenzione mentre si accendono arnesi elettrici può causare delle gravi lesioni personali.

- b) **Usare dispositivi di protezione individuale. Indossare sempre una protezione per gli occhi.** Dispositivi di sicurezza come mascherina per la polvere, scarpe di sicurezza antiscivolo, casco, o protezioni per le orecchie usate nelle appropriate condizioni, ridurranno le lesioni personali.
  - c) **Prevenire l'avvio accidentale. Assicurarsi che l'interruttore sia spento prima di collegarsi.** Trasportare elettrotensili tenendo il dito sull'interruttore di accensione o dare corrente ad elettrotensili con l'interruttore acceso può dare luogo a incidenti.
  - d) **Rimuovere ogni chiave regolatrice o chiave per dadi prima di accendere l'arnese elettrico.** Una chiave per dadi o una chiave lasciata attaccata ad una parte rotante dell'arnese elettrico può provocare lesioni personali.
  - e) **Cercare di mantenere l'equilibrio. Mantenere sempre un punto d'appoggio appropriato.** Questo consente un controllo migliore dell'arnese elettrico in situazioni inaspettate.
  - f) **Vestirsi adeguatamente. Non indossare vestiti larghi o gioielli. Tenere lontano capelli, vestiti e guanti dalle parti mobili.** Vestiti larghi, gioielli o capelli lunghi possono essere presi nelle parti mobili.
  - g) **Se vengono forniti dispositivi per la connessione dell'estrazione della polvere e attrezzature di raccolta, assicurarsi che questi siano collegati e usati correttamente.** L'uso di questi dispositivi può ridurre i rischi correlati alla polvere.
  - h) **Non lasciare che la confidenza acquisita dall'uso frequente induca l'utilizzatore ad assumere comportamenti imprudenti e a ignorare i principi di sicurezza per l'utensile.** Una semplice distrazione può provocare gravi lesioni personali in una frazione di secondo.
- 4) **Uso e manutenzione dell'arnese elettrico**
- a) **Non forzare l'arnese elettrico. Usare l'arnese elettrico corretto per il vostro impiego.** L'arnese elettrico corretto farà il lavoro meglio e in maniera più sicura alla velocità per la quale è stato progettato.
  - b) **Non usare l'arnese elettrico se l'interruttore non si accende o non si spegne.** Ogni arnese elettrico



che non può essere controllato con l'interruttore è pericoloso e deve essere riparato.

- c) **Scollegare la spina dalla sorgente di elettricità prima di fare qualsiasi regolazione, cambiare gli accessori, o conservare arnesi elettrici.** Tali misure di sicurezza preventive riducono il rischio di accendere l'arnese elettrico accidentalmente.
  - d) **Conservare gli arnesi elettrici inattivi fuori dalla portata dei bambini e non permettere a persone che non hanno confidenza con l'arnese elettrico o con queste istruzioni di usare l'arnese elettrico.** Gli arnesi elettrici sono pericolosi per utenti inesperti.
  - e) **Mantenere gli arnesi elettrici. Controllare il non allineamento o l'attacco di parti mobili, la rottura di parti ed ogni altra condizione che può influire sul funzionamento degli arnesi elettrici. Se è danneggiato, far riparare l'arnese elettrico prima dell'uso.** Molti incidenti sono causati da arnesi elettrici mantenuti male.
  - f) **Mantenere gli arnesi da taglio affilati e puliti.** È meno probabile che si attacchino degli arnesi da taglio mantenuti correttamente con tagli affilate e questi sono anche più facili da controllare.
  - g) **Usare l'arnese elettrico, gli accessori e le parti dell'arnese ecc, secondo queste istruzioni e nel modo pensato per il particolare tipo di arnese elettrico, tenendo conto delle condizioni di lavoro e del lavoro da svolgere.** L'uso dell'arnese elettrico per operazioni diverse da quelle pensate potrebbe causare situazioni pericolose.
  - h) **Mantenere le impugnature e le superfici di presa asciutte, pulite e libere da olio e grasso.** Impugnature e superfici di presa scivolose non consentono di maneggiare e controllare in sicurezza l'utensile in situazioni impreviste.
- 5) Uso e manutenzione dell'utensile a batteria**
- a) **Ricaricare l'apparecchio esclusivamente con il caricabatterie specificato dal fabbricante.** Se si utilizza un caricabatterie di diverso tipo potrebbero verificarsi incendi.
  - b) **Utilizzare gli utensili elettrici solo con i pacchi batterie appositamente prescritti.** L'uso di pacchi batterie di diverso tipo aumenta il rischio di infortunio o incendio.
  - c) **Quando il pacco batterie non è in uso, tenerlo lontano da oggetti metallici quali fermagli, monete, chiavi, chiodi, viti o altri piccoli oggetti metallici che potrebbero mettere in collegamento i due poli.** Se i poli vengono messi

in corto circuito, la batteria potrebbe emettere scintille o fiammate.

- d) **In condizioni di uso scorretto, la batteria potrebbe emettere liquido: evitare pertanto di entrarvi in contatto. In caso di contatto accidentale, risciacquare con acqua. Se il liquido entra a contatto con gli occhi, consultare immediatamente un medico.** Il liquido emesso dalla batteria può causare irritazioni o ustioni.
- e) **Non utilizzare un pacco batterie o l'utensile se danneggiati o manomessi.** Pacchi batterie danneggiati o manomessi potrebbero avere comportamenti imprevisti con il rischio di incendiarsi, esplodere o provocare lesioni a persone.
- f) **Non esporre un pacco batterie o l'utensile alle fiamme o a temperature eccessivamente elevate.** L'esposizione alle fiamme o a temperature superiori a 130 °C potrebbe provocare un'esplosione. NOTA: la temperatura di "130 °C" corrisponde a "265 °F".
- g) **Seguire tutte le istruzioni per la ricarica e non caricare il pacco batterie o l'utensile a temperature che non rientrino nell'intervallo specificato nelle istruzioni.** Se si effettua la ricarica in modo improprio o a temperature non comprese nell'intervallo specificato, il pacco batterie potrebbe subire danni e potrebbe aumentare il rischio di incendi.

## 6) Riparazione

- a) **L'assistenza per l'elettroscopio deve essere prestata da un tecnico qualificato che utilizzi soltanto ricambi originali.** In questo modo viene garantita la sicurezza dell'elettroscopio.
- b) **Non tentare di riparare pacchi batterie danneggiati.** La riparazione dei pacchi batteria deve essere effettuata esclusivamente dal produttore o presso centri di assistenza autorizzati.

## AVVISI DI SICUREZZA AGGIUNTIVI PER LEVIGATRICI ORBITALI



*Il contatto o l'inalazione delle polveri prodotte durante l'uso (es.: superfici trattate con vernici al piombo, legno e metallo) possono risultare nocivi per la salute dell'utente e degli astanti nelle vicinanze. Indossare sempre adeguati accessori protettivi, come ad esempio una maschera antipolvere. Utilizzare sempre un adeguato sistema di aspirazione delle polveri durante l'uso.*

- Non operare su materiali contenenti amianto. L'amianto è una sostanza considerate cancerogena.
- Non utilizzare l'elettrotensile per levigare materiali contenenti magnesio.
- Indossare occhiali di protezione. Indossare protezioni per l'udito. Se necessario, utilizzare accessori protettivi, come guanti di sicurezza, scarpe di sicurezza, ecc.
- Nei punti in cui l'accessorio può entrare in contatto con fili elettrici nascosti o con il cavo di alimentazione, sostenere l'elettrotensile mediante l'apposita impugnatura isolante. Se l'accessorio entra in contatto con un filo elettrico sotto tensione, è possibile che anche le parti metalliche esposte dell'elettrotensile entrino sotto tensione. Pericolo di scosse elettriche.
- Porre estrema attenzione nel levigare superfici verniciate.
- Prima dell'uso, rimuovere chiodi ed altri oggetti metallici dal pezzo in lavorazione.
- Verificare che il pezzo in lavorazione sia sostenuto o fissato correttamente.
- Utilizzare esclusivamente carta abrasiva idonea all'uso con l'elettrotensile.
- Utilizzare esclusivamente carta abrasiva con le corrette dimensioni. Assicurarsi che la carta abrasiva sia montata correttamente.
- Prima di ogni uso, controllare lo stato della carta abrasiva. Non utilizzare carta abrasive usurate a seguito di un uso prolungato.
- Non porre mai l'elettrotensile su un tavolo o un banco da lavoro senza averlo precedentemente spento.

### AVVERTENZE DI SICUREZZA PER LA BATTERIA

- a) **Non aprire la batteria.** Pericolo di cortocircuito.
- b) **Proteggere la batteria dal calore, ad esempio dalla luce solare intensa, dal fuoco, dall'acqua e dall'umidità.** Pericolo di esplosione.
- c) **In caso di danni e uso improprio della batteria, potrebbero essere emessi dei vapori. Ventilare l'area e rivolgersi a un medico in caso di malessere.** I vapori possono irritare il sistema respiratorio.
- d) **Utilizzare la batteria solo in combinazione con il prodotto Vonroc.** Questo accorgimento protegge la batteria da un sovraccarico pericoloso.
- e) **La batteria può essere danneggiata da oggetti appuntiti come chiodi o cacciaviti o da una forza applicata esternamente.** Si può verificare un cortocircuito interno e la batteria potrebbe bruciare, fumare, esplodere o surriscaldarsi.

### AVVERTENZE DI SICUREZZA PER IL CARICABATTERIE

#### Uso previsto

Caricare solo pacchi batteria ricaricabili di tipo CD801AA e CD803AA con il caricabatterie. Batterie di tipi diversi potrebbero esplodere provocando lesioni personali e danni.

- a) **L'apparecchio non deve essere usato da persone con capacità fisiche, sensoriali o mentali ridotte (bambini inclusi) o che non hanno alcuna esperienza o conoscenza dell'apparecchio, a meno che non siano sorvegliate o siano state istruite sull'uso del prodotto.**
- b) **Accertarsi che i bambini non giochino con il caricabatterie.**
- c) **Non ricaricare batterie non ricaricabili!**
- d) **Durante la carica le batterie devono rimanere inserite nell'area adeguatamente ventilata!**

#### Sicurezza elettrica



*Controllare sempre che la tensione di alimentazione corrisponda alla tensione indicata sulla targhetta delle caratteristiche.*

- Non utilizzare l'elettrotensile quando il cavo o la spina di alimentazione sono danneggiati.
- Utilizzare esclusivamente cavi di prolunga idonei per la potenza nominale dell'elettrotensile, con conduttori di sezione minima di 1,5 mm<sup>2</sup>. Quando si utilizza un cavo di prolunga con avvolgicavo, svolgere sempre completamente il cavo.

## 2. INFORMAZIONI RELATIVE ALL'ELETTROTENSILE

#### Uso previsto

La macchina è progettata per la levigatura di legno, plastica e metallo. Questa macchina è adatta solamente per la levigatura a secco. Questa macchina non è adatta per lavorare su oggetti contenenti amianto. Un uso scorretto può danneggiare l'utensile.

#### DATI TECNICI



*Il presente manuale è stato predisposto per diversi assortimenti / codici articolo. Verificare il codice articolo corrispondente nella tabella di specificazione sottostante per la composizione e i contenuti corretti per il proprio assortimento.*

Numero modello	OS503DC	S_ OS503DC	S2_ OS503DC	S3_ OS503DC
Batterie incluse	-	CD801AA	2 x CD801AA	CD803AA
Caricabatterie incluso	-	CD802AA		
Tensione di alimentazione	20V			
Velocità a vuoto	5.000-10.000/min			
Diametro della mola	125mm			
Peso	1.20 kg			
Livello di pressione sonora LPA	77.1 dB(A), K=3dB(A)			
Livello di potenza sonora LWA	88.1 dB(A), K=3dB(A)			
Vibrazione	7.511 m/s <sup>2</sup> K=1.5 m/s <sup>2</sup>			

Numero modello	CD801AA
Tipo di batteria	Lithium-Ion
Tensione	20V
Capacità	2.0 Ah
Caricabatterie consigliato	CD802AA
Peso	0.3 kg

Numero modello	CD803AA
Tipo di batteria	Lithium-Ion
Tensione	20V
Capacità	4.0 Ah
Caricabatterie consigliato	CD802AA
Peso	0.65 kg

Numero modello	CD802AA
Ingresso del caricabatterie	220-240V, 50Hz 0.4A
Uscita del caricabatterie	21V  2.5A
Tempo di ricarica batteria 2Ah	60 minutes
Tempo di ricarica batteria 4Ah	120 minutes
Batterie consigliate	CD801AA, CD803AA
Peso	0.36 kg

Utilizzare esclusivamente le batterie seguenti della piattaforma di batterie da 20 V VONROC POWER. L'uso di batterie diverse potrebbe causare gravi lesioni personali o danni all'elettrotensile.

Batteria agli ioni di litio da 20 V 2 Ah, CD801AA  
 Batteria agli ioni di litio da 20 V 4 Ah, CD803AA

Il caricabatterie seguente può essere usato per caricare queste batterie.

Caricabatterie rapido CD802AA

Le batterie della piattaforma di batterie da 20 V VONROC POWER sono intercambiabili con tutti gli elettrotensili con batterie della piattaforma da 20 V VONROC POWER.

### Livello delle vibrazioni

Il livello di emissione delle vibrazioni indicato sul retro di questo manuale di istruzioni è stato misurato in conformità a un test standardizzato stabilito dalla norma EN 62841; questo valore può essere utilizzato per mettere a confronto un l'utensile con un altro o come valutazione preliminare di esposizione alla vibrazione quando si impiega l'utensile per le applicazioni menzionate.

- se si utilizza l'utensile per applicazioni diverse, oppure con accessori differenti o in scarse condizioni, il livello di esposizione potrebbe aumentare notevolmente.
- i momenti in cui l'utensile è spento oppure è in funzione ma non viene effettivamente utilizzato per il lavoro, possono contribuire a ridurre il livello di esposizione.

Proteggersi dagli effetti della vibrazione effettuando la manutenzione dell'utensile e dei relativi accessori, mantenendo le mani calde e organizzando i metodi di lavoro.

### DESCRIZIONE

I numeri che compaiono nel testo si riferiscono agli schemi riportati a pagina 2-3.

1. Interruttore on/off
2. Sacco raccogli-polvere
3. Selettore di regolazione della velocità
4. Piastra levigatrice
- 5A. Impugnatura superiore
- 5B. Impugnatura inferiore
6. Porta per l'estrazione di polveri
7. Pulsante di sblocco batteria
8. Batteria
9. Carta abrasiva
10. Anello in gomma
11. Pulsante per spie a LED batteria

12. Spie a LED batteria
13. Caricabatterie
14. Indicatori a LED caricabatterie
- 15A. Connessione di aspirazione
- 15B. Adattatore di aspirazione

### 3. MONTAGGIO



*Prima di compiere qualsiasi intervento sull'elettro utensile rimuovere la batteria.*



*Prima del primo utilizzo la batteria deve essere caricata.*

#### Inserimento della batteria nell'elettro utensile (Fig. C)



*Assicurarsi che la batteria sia pulita esternamente prima di collegarla al caricabatterie o all'elettro utensile.*

1. Inserire la batteria (8) nella base dell'elettro utensile, come illustrato nella Figura C.
2. Spingere in avanti la batteria finché scatta in posizione con un clic.

#### Rimozione della batteria dalla macchina (Fig. C)

1. Premere il pulsante di sblocco batteria (7).
2. Estrarre la batteria dalla macchina, come illustrato nella Fig. C.

#### Verifica dello stato di carica della batteria (Fig. E)

- Per verificare lo stato di carica della batteria, premere brevemente il pulsante (11) sulla batteria.
- La batteria presenta 3 spie che indicano il livello di carica: più spie sono accese più la batteria è carica.
- Se le spie non sono illuminate di rosso, significa che la batteria è completamente scarica e deve essere ricaricata immediatamente.

#### Carica della batteria con il caricabatterie (Fig. E)

1. Rimuovere la batteria (8) dalla macchina.
2. Capovolgere la batteria (8) e inserirla nel caricabatterie (28), come illustrato nella Fig. E.
3. Spingere la batteria finché si incastra nell'apposito alloggiamento.
4. Collegare la spina del caricabatterie a una presa elettrica e attendere un momento. Gli indicatori a LED sul caricabatterie (13) si illuminano e mostrano lo stato di carica della batteria.

#### Sul caricabatterie sono presenti 2 indicatori a LED (14) che mostrano lo stato del processo di carica:

Stato LED rosso	Stato LED verde	Stato del carica-batterie
Spento	Spento	Nessuna alimentazione
Spento	Acceso stabile	Modalità standby: - Nessuna batteria inserita oppure, - Batteria inserita ma la ricarica è terminata
Acceso stabile	Spento	Carica della batteria in corso

- Per caricare completamente la batteria da 2Ah possono essere necessari fino a 60 minuti.
- Per caricare completamente la batteria da 4Ah possono essere necessari fino a 120 minuti.



*Una volta caricata la batteria, rimuovere la spina del caricabatterie dalla presa di corrente e rimuovere la batteria dal caricabatterie.*

#### Estrazione esterna della polvere

La connessione di aspirazione (15A) consente la connessione alla macchina di un aspirapolvere. E altresì in dotazione un adattatore di aspirazione (15B) che consente l'uso di condotti di aspirazione con un diametro inferiore.

#### Collegamento del sacchetto raccogli-polvere (Fig. D)

Si raccomanda vivamente di utilizzare la macchina con il sacchetto raccogli-polvere (2), al fine di assicurare una raccolta delle polveri ottimale.

- Far scorrere il sacchetto raccogli-polvere (2) sul portello di estrazione della polvere (6) utilizzando un lieve movimento di torsione.
- Continuare a scorrere con un movimento rotatorio fino a quando il sacchetto raccogli-polvere (2) non è posizionato leggermente sull'anello in gomma (10), fissandolo in posizione.

**Nota:** per garantire la raccolta ottimale delle polveri il contenitore raccogli-polvere deve essere svuotato quando è pieno per metà.

**Fissaggio e rimozione della carta abrasiva (Fig. B)**

- Tenere la macchina sul lato o a testa in giù.
- Fissare la carta abrasiva (9) con la grana richiesta sul platorello (4). Assicurarsi che il foro nella carta abrasiva (9) corrisponda al foro sul platorello (4).
- Per rimuovere la carta abrasiva (9), staccare semplicemente la carta dal platorello (4).

**Nota:** per levigare superfici grezze o irregolari usare carta abrasiva a grana grossa. Per rimuovere i graffi residui prodotti dalla carta abrasiva a grana grossa utilizzare una carta abrasiva a grana media. Per la finitura delle superfici usare carta abrasiva a grana fine.

**4. FUNZIONAMENTO****Accensione e spegnimento (Fig. A)**

- Per accendere l'elettrotensile premere l'interruttore di accensione/spegnimento (1) e portarlo sulla posizione I.
- Per spegnere l'elettrotensile rilasciare l'interruttore di accensione/spegnimento (1) e portarlo sulla posizione 0.

**Impostazione della velocità (Fig. A)**

Il selettore di regolazione della velocità (3) consente di impostare la velocità. Il selettore di regolazione della velocità è impostabile su 6 posizioni. La velocità ottimale dipende dalla dimensione di grana necessaria e dal materiale da lavorare.

**Suggerimenti per un uso ottimale**

- Bloccare il pezzo in lavorazione.
- Sostenere saldamente l'elettrotensile con entrambe le mani.
- Accendere l'elettrotensile.
- Appoggiare la piastra levigatrice con la carta abrasiva sul pezzo in lavorazione.
- Muovere lentamente l'elettrotensile sul pezzo in lavorazione, premendo saldamente la piastra levigatrice contro la superficie del pezzo.
- Non esercitare una pressione eccessiva sull'elettrotensile. Lasciare che l'elettrotensile effettui il lavoro.
- Prima di appoggiare l'elettrotensile, spegnerlo e attendere che si arresti completamente.

**5. MANUTENZIONE**

*Prima di eseguire qualsiasi operazione di pulizia e intervento di manutenzione spegnere sempre l'elettrotensile e rimuovere la batteria dall'elettrotensile.*

Pulire regolarmente il corpo dell'elettrotensile con un panno morbido, preferibilmente dopo ogni uso. Assicurarsi che le prese d'aria siano libere da polvere e sporizia. Rimuovere lo sporco particolarmente ostinato con un panno morbido inumidito con acqua e sapone. Non utilizzare solventi come benzina, alcol, ammoniaca, ecc. Le sostanze chimiche di questo tipo danneggiano i componenti sintetici.

**RISPETTO AMBIENTALE**

*Se si prevede che la macchina non verrà usata per molto tempo si consiglia di conservare le batterie cariche.*

**Solo per i Paesi CE**

Non smaltire gli elettrotensili insieme ai rifiuti domestici. Secondo la Direttiva europea 2012/19/EC sui rifiuti delle apparecchiature elettriche ed elettroniche e relativa implementazione nelle normative locali, gli elettrotensili ormai inutilizzabili devono essere raccolti separatamente e smaltiti in modo ecologico.

**DEFINIZIONI DELLA GARANZIA**

I prodotti VONROC sono sviluppati secondo i più elevati standard di qualità e viene garantita l'assenza di difetti nei materiali e nella manodopera per il periodo contrattuale a partire dalla data di acquisto originale. Qualora il prodotto dovesse subire un guasto qualsiasi durante questo periodo a causa di difetti nei materiali e/o nella manodopera, si prega di contattare direttamente il VONROC.

Le seguenti circostanze sono escluse da questa garanzia:

- Riparazioni e/o modifiche alla macchina sono state eseguite o tentate da centri di assistenza non autorizzati.
- Normale usura.
- L'utensile è stato abusato, utilizzato o manuttenuto in modo improprio.
- Sono state utilizzate parti di ricambio non originali.

Ciò costituisce l'unica garanzia espressa o implicita fornita dall'azienda. Non esistono altre garanzie esprese o implicite che si estendono oltre il presente documento, ivi comprese le garanzie implicite di commerciabilità e idoneità per uno scopo particolare. In nessun caso VONROC sarà responsabile di eventuali danni incidentali o consequenziali. I rimborsi dei rivenditori saranno limitati alla riparazione o sostituzione di unità o parti non conformi.

**Il prodotto e il manuale per l'utente sono soggetti a modifiche. I dati tecnici possono essere modificati senza ulteriore notifica.**

## 1. INSTRUKCJE BEZPIECZEŃSTWA

Przeczytać dołączone ostrzeżenia dotyczące bezpieczeństwa, dodatkowe ostrzeżenia dotyczące bezpieczeństwa oraz instrukcję. Nieprzestrzeganie ostrzeżeń dotyczących bezpieczeństwa oraz instrukcji może prowadzić do porażenia prądem, pożaru i/lub poważnych obrażeń ciała. Zachować ostrzeżenia dotyczące bezpieczeństwa oraz instrukcje na przyszłość.

Następujące symbole są umieszczone w instrukcji obsługi lub na produkcie:



*Przeczytać instrukcję obsługi.*



*W razie nie przestrzegania danej instrukcji obsługi może powstać ryzyko zranienia oraz zgonięcia personelu lub uszkodzenia narzędzia.*



*Nosić okulary ochronne.  
Nosić ochronniki słuchu.*



*Nosić maskę przeciwpyłową.*



*Miniaturowy topik z opóźnieniem czasowym.*



*Maks. temperatura 45° C.*



*Nie wrzucać akumulatora do ognia.*



*Nie wrzucać akumulatora do wody.*



*Nie wyrzucać produktu do nieodpowiednich pojemników.*



*Zbiórka selektywna akumulatora litowo jonowego.*



*Produkt spełnia wymogi odpowiednich norm bezpieczeństwa podanych w dyrektywach UE.*

### OGÓLNE ZALECENIA DOTYCZĄCE BEZPIECZEŃSTWA



**UWAGA! Przeczytać wszystkie ostrzeżenia dotyczące bezpieczeństwa i wszystkie instrukcje.** Nieprzestrzeganie wszystkich poniższych instrukcji może być przyczyną porażenia prądem, pożaru i/lub poważnych obrażeń.

### Zachowaj niższe instrukcje.

Termin „elektronarzędzia akumulatorowe” we wszystkich ostrzeżeniach zamieszczonych poniżej odnosi się do elektronarzędzi akumulatorowych zasilanych sieciowo (przewodowych) lub elektronarzędzi akumulatorowych działających na baterie (beprzewodowych).

#### 1) Obszar roboczy

- a) **Obszar roboczy należy utrzymywać w czystości.** Powinien on być dobrze oświetlony. Nieład i złe oświetlenie mogą z łatwością doprowadzić do wypadku.
- b) **Nie korzystaj z elektronarzędzi akumulatorowych w warunkach, w których łatwo może dojść do wybuchu, np. w obecności łatwopalnych cieczy, gazów lub pyłu.** Podczas pracy elektronarzędzi akumulatorowych powstają iskry, które mogą doprowadzić do zapłonu pyłu lub oparów.
- c) **Dzieci i inne osoby postronne powinny pozostać w bezpiecznej odległości od pracującego urządzenia.** Rozproszenie uwagi może spowodować utratę kontroli nad urządzeniem.

#### 2) Bezpieczeństwo związane z elektrycznością

- a) **Wtyczki elektronarzędzi akumulatorowych muszą być odpowiednie do danego gniazda. Pod żadnym pozorem nie należy modyfikować wtyczki w jakikolwiek sposób. Nie należy używać adapterów, które uziemiają elektronarzędzia akumulatorowe.** Stosowanie wtyczek nie poddanych modyfikacjom oraz odpowiednich gniazd zmniejsza ryzyko porażenia prądem.
- b) **Należy unikać bezpośredniego kontaktu fizycznego z powierzchniami uziemionymi, takimi jak rury, grzejniki, kuchenki, lodówki.** Ryzyko porażenia prądem jest większe, jeśli ciało osoby obsługującej urządzenie jest uziemione.
- c) **Nie należy wystawiać elektronarzędzi akumulatorowych na działanie deszczu lub wilgoci.** Dostanie się wody do wnętrza elektronarzędzia akumulatorowego zwiększy ryzyko porażenia prądem.
- d) **Nie należy używać przewodu w niewłaściwy sposób. Pod żadnym pozorem nie należy wykorzystywać przewodu do przenoszenia lub ciągnięcia elektronarzędzia akumulatorowego, ani do jego odłączania od sieci. Przewodu nie należy wystawiać na działanie ciepła, smarów. Powinien on znajdować się w bezpiecznej**

**odległości od ostrych krawędzi i części ruchomych.** Przewody uszkodzone lub poplątane zwiększają ryzyko porażenia prądem.

- e) **Podczas korzystania z elektronarzędzia akumulatorowego na wolnym powietrzu, należy używać przewodu przedłużacza przystosowanego do użytku na zewnątrz.** Używanie przewodu nadającego się do użytku na wolnym powietrzu zmniejsza ryzyko porażenia prądem.
  - f) **Jeśli obsługa elektronarzędzia w wilgotnym miejscu jest nieunikniona, użyć zasilania wyposażonego w wyłącznik różnicowo-prądowy.** Użycie wyłącznika różnicowo-prądowego zmniejsza ryzyko porażenia prądem.
- #### 3) Bezpieczeństwo osoby obsługującej urządzenie
- a) **Przez cały czas należy mieć się na baczności, uważać na to, co się robi, a w czasie obsługi elektronarzędzia akumulatorowego postępować mając na uwadze zdrowy rozsądek. Urządzenia nie powinny obsługiwać osoby zmęczone lub będące pod wpływem narkotyków, alkoholu lub leków.** Chwila nieuwagi w czasie obsługi elektronarzędzi akumulatorowych może być przyczyną powstania poważnych obrażeń ciała.
  - b) **Należy korzystać ze sprzętu ochronnego oraz zawsze nosić okulary ochronne.** Sprzęt ochronny, jak na przykład maska przeciwpyłowa, antypoślizgowe obuwie ochronne, kask lub słuchawki ochronne używane we właściwych sytuacjach pozwoli na zmniejszenie ryzyka obrażeń ciała.
  - c) **Unikać niezamierzonego uruchomienia. Przed podłączeniem urządzenia do sieci, zawsze sprawdzić, czy przełącznik znajduje się w pozycji „wyłączony”.** Przenoszenie elektronarzędzi z palcem na przełączniku lub włączonych elektronarzędzi z przełącznikiem w położeniu włączenia jest bardzo niebezpieczne i może powodować wypadki.
  - d) **Przed włączeniem elektronarzędzia akumulatorowego należy usunąć z niego wszystkie klucze nastawcze lub maszynowe.** Pozostawienie klucza zamocowanego na jednej z części obrotowych urządzenia może spowodować powstanie obrażeń ciała.
  - e) **Nie należy sięgać ponad urządzeniem. Przez cały czas należy zachować odpowiednią równowagę i zapewnić odpowiednie oparcie dla stóp.** Pozwoli to na lepsze kontrolowanie urządzenia w nieoczekiwanych sytuacjach.

- f) **Należy nosić odpowiednie ubranie. Do pracy z urządzeniem nie wkładać luźnych ubrań ani biżuterii. Włosy, ubranie i rękawiczki trzymać z dala od części ruchomych.** Luźne części ubrania, biżuteria lub długie włosy mogą zostać wciągnięte przez części ruchome.
- g) **Jeśli w urządzeniu przewidziano elementy służące do odprowadzania i zbierania pyłu, należy sprawdzić, czy są podłączone, i czy działają we właściwy sposób.** Korzystanie z tego typu elementów pozwala ograniczyć ryzyko związane z wydzielaniem pyłu podczas pracy urządzenia.
- h) **Nie zezwalać na to, aby rutyna związana z częstym korzystaniem z narzędzi powodowała nadmierną pewność siebie i ignorowanie zasad bezpiecznego korzystania z narzędzi.** Nieodpowiedzialne działanie może spowodować poważne obrażenia ciała w ułamku sekundy.
- 4) Obsługa i konserwacja elektronarzędzi akumulatorowych**
- a) **Urządzenie nie należy przeciążać. Należy korzystać z narzędzia odpowiedniego do danego typu pracy.** Odpowiednio dobrane urządzenie pozwoli na lepsze i bezpieczniejsze wykonanie pracy, we właściwym dla urządzenia tempie.
- b) **Z elektronarzędzia akumulatorowego nie należy korzystać, jeśli nie można go włączyć i wyłączyć przy pomocy przełącznika.** Urządzenie, którego nie można kontrolować używając przełącznika jest niebezpieczne i powinno być oddane do naprawy.
- c) **Przed przystąpieniem do regulowania elektronarzędzi akumulatorowych, wymiany akcesoriów lub przygotowywania urządzeń do okresu przechowywania, należy odłączyć wtyczkę od źródła zasilania.** Tego typu środki ostrożności zmniejszają ryzyko przypadkowego uruchomienia urządzenia.
- d) **Nieczynne elektronarzędzia akumulatorowe należy przechowywać poza zasięgiem dzieci. Nie należy pozwolić, aby osoby nie znające urządzenia lub niniejszych instrukcji obsługi użyły urządzenia.** Elektronarzędzia akumulatorowe w rękach niekompetentnych użytkowników stanowią zagrożenie.
- e) **Elektronarzędzia akumulatorowe należy utrzymywać w dobrym stanie technicznym. Należy sprawdzać, czy części ruchome są właściwie założone, i czy się nie zacinają. Należy również sprawdzać, czy jakieś części nie są uszkodzone**
- oraz sprawdzać wszelkie inne elementy, które mogą wpłynąć na pracę urządzeń. Jeśli urządzenie jest uszkodzone, przed przystąpieniem do jego użytkowania, należy je naprawić.** Częstą przyczyną wypadków jest zły stan techniczny urządzeń.
- f) **Narzędzia służące do cięcia powinny być naostrzone i utrzymywane w czystości.** Jeśli narzędzia służące do cięcia, które posiadają ostre krawędzie tnące, są właściwie konserwowane, istnieje mniejsze prawdopodobieństwo ich zacinania się. Ponadto, łatwiej je kontrolować.
- g) **Elektronarzędzia akumulatorowego, akcesoriów, nakładek, itp. należy używać zgodnie z niniejszymi instrukcjami oraz w sposób właściwy dla danego rodzaju urządzenia, z uwzględnieniem warunków pracy oraz jej rodzaju.** Używanie urządzenia niezgodnie z przeznaczeniem może prowadzić do powstania sytuacji niebezpiecznych.
- h) **Uchwyty należy utrzymywać w stanie suchym, czystym i niezabrudzonym olejem lub smarem.** Śliskie uchwyty i powierzchnie do chwytania nie pozwalają na bezpieczne obchodzenie się z narzędziem i panowanie nad nim w nieoczekiwanych sytuacjach.
- 5) Użytkowanie i konserwacja urządzenia zasilanego akumulatorkami**
- a) **Ładować tylko przy użyciu ładowarki określonej przez producenta.** Ładowarka przewidziana dla jednego rodzaju akumulatorków stwarza ryzyko pożaru w przypadku użycia jej z innym zestawem akumulatorków.
- b) **Należy używać jedynie akumulatorków przeznaczonych dla danego urządzenia.** Użycie innych akumulatorków stwarza ryzyko wystąpienia obrażeń ciała lub pożaru.
- c) **Kiedy akumulatorki nie są używane, należy przechowywać je z dala od przedmiotów metalowych, takich jak spinacze do papieru, monety, klucze, gwoździe, śruby lub inne niewielkie przedmioty metalowe, które mogłyby spowodować zwarcie pomiędzy stykami.** Zwarcie styków akumulatorka może spowodować pożar.
- d) **W przypadku przecięcia z akumulatorka może wycieknąć płyn; nie należy go dotykać. W razie przypadkowego kontaktu przemyć skórę wodą. W przypadku dostania się płynu do oczu należy skontaktować się z lekarzem.** Płyn z akumulatorka może powodować podrażnienia



lub oparzenia.

- e) **Nie używać uszkodzonego ani zmodyfikowanego akumulatora lub narzędzia.** Uszkodzone lub zmodyfikowane akumulatory mogą działać w sposób nieoczekiwany, co może powodować pożar, wybuch lub ryzyko obrażeń ciała.
  - f) **Nie wystawiać akumulatora ani narzędzia na działanie płomienia lub zbyt wysokiej temperatury.** Narażenie na działanie płomienia lub temperatury powyżej 130°C może spowodować wybuch. UWAGA Temperaturę „130 °C“ można zastąpić temperaturą „265 °F“.
  - g) **Przestrzegać wszystkich instrukcji ładowania i nie ładować akumulatora ani narzędzia poza zakresem temperatury podanym w instrukcji.** Nieprawidłowe ładowanie lub ładowanie w temperaturze poza podanym zakresem może spowodować uszkodzenie akumulatora i zwiększyć ryzyko pożaru.
- 6) Serwis**
- a) **Zlecać serwisowanie elektronarzędzie wykwalifikowanemu technikowi stosującymi jedynie części zamienne identyczne z oryginalnymi.** Zapewni to zachowanie bezpieczeństwa elektronarzędzia.
  - b) **Nigdy nie serwisować uszkodzonych akumulatorów.** Serwisowanie akumulatorów może przeprowadzać wyłącznie producent lub autoryzowany serwis.

## DODATKOWE INSTRUKCJE BEZPIECZEŃSTWA DLA SZLIFIEREK MIMOŚRODOWYCH



*Kontakt lub wdychanie pyłu powstającego podczas używania urządzenia (np. powierzchnie malowane farbami ołowiowymi, drewna lub metalu) może stanowić zagrożenie dla zdrowia użytkownika lub osób postronnych. Należy zawsze używać odpowiedni sprzęt ochronny, taki jak maska pyłowa. Podczas używania urządzenia, należy stosować odpowiednie systemy usuwania pyłu.*

- Nie wolno pracować na materiałach zawierających azbest. Azbest jest produktem rakotwórczym.
- Nie używać urządzenia do szlifowania przedmiotów zawierających magnez.
- Używać gogli ochronnych. Stosować osłonę dla uszu. W razie potrzeby, stosować środki ochronne, takie jak rękawice ochronne, obuwie

ochronne, etc.

- Przytrzymywać urządzenie za izolowane powierzchnie uchwytu, gdy akcesorium może naruszyć ukryte przewody lub kable sieci elektrycznej. Jeśli akcesorium zetknie się z przewodem elektrycznym znajdującym się pod napięciem, metalowe części urządzenia mogą również znajdować się pod napięciem. Ryzyko porażenia prądem.
- Zachować szczególną ostrożność podczas szlifowania powierzchni malowanych.
- Przed użyciem usunąć z przedmiotu wszystkie gwoździe i inne metalowe objekty.
- Upewnić się, czy obrabiany przedmiot jest właściwie podtrzymywany lub zamocowany.
- Używać wyłącznie papier ścierny, przystosowany do pracy z urządzeniem.
- Używać wyłącznie papier ścierny o odpowiednich wymiarach. Upewnić się, czy papier ścierny jest prawidłowo zamontowany.
- Przed każdym użyciem sprawdzić papier ścierny. Nie używać nadmiernie zużytego papieru ściernego.
- Nigdy nie kłaść urządzenia na stole czy pulpicie przed jego wyłączeniem.

## OSTRZEŻENIA DOTYCZĄCE AKUMULATORA

- a) **Nie otwierać akumulatora.** Ryzyko zwarcia.
- b) **Chronić akumulator przed gorącem, np. długotrwałym silnym nasłonecznieniem, ogniem, wodą i wilgocią.** Ryzyko wybuchu.
- c) **W razie uszkodzenia i błędnego użytkowania akumulatora, może dojść do emisji oparów. Przewietrzyć miejsce emisji i uzyskać pomoc lekarską w razie dolegliwości.** Opary mogą powodować podrażnienie układu oddechowego.
- d) **Używać akumulatora wyłącznie w połączeniu z produktem marki Vonroc.** Takie postępowanie chroni akumulator przed niebezpiecznym przeciążeniem.
- e) **Akumulator może zostać uszkodzony przez ostro zakończone przedmioty, jak gwoździe lub wkręta, albo przez uderzenie z zewnątrz.** Może dojść do wewnętrznego zwarcia i akumulator może zacząć się palić, dymić, wybuchnąć lub przegrzać się.

**DOTYCZY ŁADOWARKI****Przeznaczenie**

Ładować wyłącznie akumulatory CD801AA i CD803AA, a nie baterie jednorazowego użytku. Inne baterie mogą pękać, powodując obrażenia ciała i uszkodzenia mienia.

- a) **Urządzenie nie jest przeznaczone do użytku przez osoby (w tym dzieci) o ograniczonych zdolnościach fizycznych, czuciowych lub umysłowych albo nie posiadające doświadczenia i wiedzy, chyba że zostały one odpowiednio poinstruowane i są pod nadzorem.**
- b) **Dzieciom nie wolno pozwalać bawić się urządzeniem.**
- c) **Nie ładować zwykłych baterii!**
- d) **Podczas ładowania akumulatory muszą znajdować się w dobrze wentylowanym miejscu!**

**Bezpieczeństwo związane z elektryczną ością**

*Sprawdzić, czy napięcie sieciowe jest zgodne z parametrami na tabliczce znamionowej.*

- Nie używać urządzenia, jeśli jego kabel zasilający jest uszkodzony lub wtyczka kabla zasilającego jest uszkodzona.
- Używać wyłącznie przedłużaczy przystosowanych do pracy z parametrami zasilania urządzenia o minimalnej grubości 1,5 mm<sup>2</sup>. W przypadku korzystania z przedłużacza w zwoju, zawsze całkowicie rozwinąć zwój.

**2. INFORMACJE O MASZYNIE****Przeznaczenie**

Narzędzie jest przeznaczone do szlifowania drewna, tworzyw sztucznych i metalu. Narzędzie jest przeznaczone wyłącznie do szlifowania na sucho. Maszyna nie jest przeznaczona do obróbki powierzchni zawierających azbest. Niewłaściwe użytkowanie może spowodować uszkodzenie narzędzia.

**DANE TECHNICZNE**

*Niniejsza instrukcja dotyczy różnych zestawów/numerów artykułów. Sprawdzić odpowiedni numer artykułu w poniższej tabeli, aby uzyskać informacje na temat zawartości zestawu.*

Nr modelu	OS503DC	S_ OS503DC	S2_ OS503DC	S3_ OS503DC
Baterie w komplecie	-	CD801AA	2 x CD801AA	CD803AA
Ładowarka w komplecie	-	CD802AA		
Napięcie	20V			
Obroty bez obciążenia	5.000-10.000/min			
Średnica podkładki szlifującej	125mm			
Ciezar	1.20 kg			
Poziom ciśnienia akustycznego LPA	77.1 dB(A), K=3dB(A)			
Poziom mocy akustycznej LWA	88.1 dB(A), K=3dB(A)			
Drgania	7.511 m/s <sup>2</sup> K=1.5 m/s <sup>2</sup>			

Nr modelu	CD801AA
Typ akumulatora	Lithium-Ion
Napięcie	20V
Pojemność	2.0 Ah
Zalecana ładowarka	CD802AA
Ciężar	0.3 kg

Nr modelu	CD803AA
Typ Baterii	Lithium-Ion
Napięcie	20V
Pojemność	4.0 Ah
Zalecana ładowarka	CD802AA
Ciężar	0.65 kg

Nr modelu	CD802AA
Parametry wejściowe ładowarki	220-240V, 50Hz 0.4A
Parametry wyjściowe ładowarki	21V  2.5A
Czas ładowania akumulatora 2 Ah	60 minutes
Czas ładowania akumulatora 4 Ah	120 minutes
Recommended batteries	CD801AA, CD803AA
Ciężar	0.36 kg

Akumulatory należące do platformy VONROC POWER 20 V można stosować we wszystkich narzędziach z platformy VONROC POWER 20 V. CD801AA 20V, 2 Ah Litowo-jonowy  
CD803AA 20V, 4 Ah Litowo-jonowy

Następującej ładowarki można używać do ładowania tych akumulatorów.  
CD802AA Szybka ładowarka

Akumulatory należące do platformy VONROC POWER 20 V można stosować we wszystkich narzędziach z platformy VONROC POWER 20 V.

### Poziom drgań

Poziom emisji drgań podany w niniejszej instrukcji został zmierzony zgodnie ze zharmonizowanym testem podanym w normie EN 62841 i może być stosowany do porównywania narzędzi ze sobą oraz w celu wstępnego oszacowania narażenia na drgania podczas stosowania narzędzia zgodnie z podanym przeznaczeniem:

- używanie narzędzia do innych zastosowań lub z innymi albo źle konserwowanymi akcesoriami może znacząco zwiększać poziom ekspozycji
- okresy, kiedy narzędzie jest wyłączone, lub gdy jest włączone, ale nie jest używane, mogą znacząco ograniczać poziom ekspozycji.

Chroń się przed wpływem drgań, konserwując odpowiednio narzędzie i akcesoria, utrzymując ciepłotę dłoni oraz odpowiednio organizując pracę.

### OPIS

Liczby w tekście odnoszą się do rysunków na stronie 2-3.

1. Przełącznik wł./wył.
2. Kolektor pyłu
3. Pokrętko regulacji prędkości
4. Podkładka szlifująca
- 5A. Górny uchwyt
- 5B. Dolny uchwyt
6. Rura odprowadzania pyłu
7. Przycisk odblokowania akumulatora
8. Akumulator
9. Papier ścierny
10. Gumowy pierścień
11. Przycisk diod LED akumulatora
12. Diody LED akumulatora
13. Ładowarka

14. Diody LED ładowarki
- 15A. Złącze odsysania
- 15B. Adapter odsysania

## 3. MONTAŻ



*Przed rozpoczęciem jakichkolwiek pracy dotyczących elektronarzędzia, wyjąć akumulator.*



*Akumulator należy naładować przed pierwszym użyciem.*

### Wkładanie akumulatora do narzędzia (Rys. C)



*Dopilnować, aby zewnętrzna powierzchnia akumulatora była czysta i sucha przed podłączeniem do ładowarki lub narzędzia.*

1. Włożyć akumulator (8) w podstawę narzędzia, zgodnie z rys. C.
2. Wcisnąć akumulator dalej, aż zatrzaśnie się w poprawnym położeniu.

### Wymowanie akumulatora z narzędzia (Rys. C)

1. Nacisnąć przycisk odblokowania akumulatora (7).
2. Wyjąć akumulator z narzędzia zgodnie z rys. C.

### Sprawdzanie stanu naładowania akumulatora (Rys. E)

- Aby sprawdzić stan naładowania akumulatora, wcisnąć przycisk (11) na akumulatorze na chwilę.
- Akumulator ma 3 diody informujące o poziomie naładowania. Im więcej świeci dioda, tym wyższy poziom naładowania akumulatora.
- Jeśli diody nie świecą, oznacza to, że akumulator jest rozładowany i wymaga niezwłocznego naładowania.

### Ładowanie akumulatora ładowarką (Rys. E)

1. Wyjąć akumulator (8) z narzędzia.
2. Ustawić akumulator (8) spodem do góry i wsunąć go na ładowarkę (13) zgodnie z rys. E.
3. Wcisnąć akumulator do oporu do gniazda.
4. Podłączyć ładowarkę do gniazda i poczekać chwilę. Dioda LED na Akumulator (13) zaświeci się, informując o stanie ładowania.

**Akumulator jest wyposażona w 2 diodę LED (14), informującą o stanie procesu ładowania:**

Stan czerwonej diody LED	Stan zielonej diody LED	Stan ładowarki
Wył.	Wył.	Brak zasilania
Wył.	Wł.	Tryb gotowości: - Nie włożono akumulatora lub - Włożono akumulator, ale ładowanie zostało zakończone
Wł.	Wył.	Ładowanie akumulatora w toku

- Całkowite naładowanie akumulatora 2Ah może trwać do 60 minut.
- Całkowite naładowanie akumulatora 4Ah może trwać do 120 minut.

Po całkowitym naładowaniu akumulatora wyjąć wtyczkę ładowarki z gniazdka i wyjąć akumulator z ładowarki.



*Kiedy narzędzie nie jest używane przez długi okres, najlepiej przechowywać akumulator w stanie naładowanym.*

#### Zewnętrzne odsysanie pyłu

Złącze odsysania (15A) pozwala na podłączenie odsysacza do tej maszyny. Dołączony jest również adapter odsysania (15B), pozwalający na stosowanie rur odsysaczy o mniejszej średnicy.

#### Podłączanie torby na pył (Rys. D)

Zaleca się używanie maszyny w połączeniu z torbą na pył (2), która zapewnia optymalne gromadzenie pyłu.

- Nasunąć torbę na pył (2) na złącze odsysania pyłu (6), lekko ją wkręcając.
- Wsuwać, jednocześnie obracając, aż worek na pył (2) znajdzie się nieznacznie poza gumowym pierścieniem (10), który zamocuje go w prawidłowym położeniu.

**Uwaga:** Pojemnik na pył należy opróżnić, gdy będzie napełniony w połowie, aby zachować optymalne gromadzenie pyłu.

#### Montaż i zdejmowanie papieru ściernego (Rys. B)

- Położyć narzędzie na boku lub spodem do góry i przytrzymać.
- Założyć papier ścierny (9) o odpowiednim rozmiarze ziarna na podkładkę szlifującą (4). Upewnić się, czy perforacja na papierze ściernym (9) odpowiada perforacji na podkładce szlifującej (4).
- Aby usunąć papier ścierny (9), po prostu ściągnąć go z podkładki do szlifowania (4).

**Uwaga:** Używać gruboziarnistego papieru ściernego do szlifowania szorstkich i nierównych powierzchni. Używać papieru ściernego ze średnim rozmiarem ziarna do usuwania rys pozostałych po papierze gruboziarnistym. Używać papieru ściernego o niewielkim rozmiarze ziarna do wykańczania powierzchni.

## 4. OBSŁUGA

#### Włączanie i wyłączanie (Rys. A)

- Aby włączyć urządzenie, nacisnąć przełącznik wł./wył. (1).
- Aby wyłączyć urządzenie, zwolnić przełącznik wł./wył. (1).

#### Ustawianie prędkości (Rys. A)

Do ustawiania prędkości (3) służy pokrętko regulacji prędkości. Pokrętko regulacji prędkości może być ustawiane w 6 pozycjach. Idealna prędkość zależy od rozmiaru ziarna oraz od obrabianego materiału.

#### Wskazówki dla optymalnej pracy

- Zaciśnąć obrabiany przedmiot.
- Trzymać urządzenie oburącz.
- Włączyć urządzenie.
- Umieścić podkładkę szlifującą z założonym papierem ściernym na obrabianym przedmiocie.
- Powoli przesunąć urządzenie, mocno dociskając podkładkę szlifującą do szlifowanego przedmiotu.
- Nie stosować nadmiernego nacisku na urządzenie. Wykonać pracę.
- Wyłączyć urządzenie i poczekać do jego pełnego zatrzymania przed odłożeniem na bok.

## 5. KONSERWACJA



*Przed rozpoczęciem czyszczenia i konserwacji zawsze wyłączać maszynę i wyjmować z niej akumulator.*

Czyścić obudowę maszyny regularnie miękką ściereczką, najlepiej po każdym użyciu. Dopilnować, aby otwory wentylacyjne były wolne od pyłu, kurzu i zabrudzeń. Usuwać odporne zabrudzenia miękką ściereczką zwilżoną mydlinami. Nie używać żadnych rozpuszczalników, takich jak benzyna, alkohol, amoniak itp. Takie substancje chemiczne spowodują uszkodzenie części z tworzyw sztucznych.

## SRODOWISKO



*Uszkodzone i/lub niepotrzebne urządzenia elektryczne lub elektroniczne podlegają zbiórce w odpowiednich punktach recyklingu.*

### Tylko kraje WE

Nie wyrzucać elektronarzędzi wraz z odpadami z gospodarstw domowych. Zgodnie z dyrektywa 2012/19/WE dotycząca zużytych urządzeń elektrycznych i elektronicznych oraz jej wdrożeniem do prawodawstwa krajowego, elektronarzędzia, które już nie nadają się do użytku, podlegają oddzielnej zbiórce oraz utylizacji w sposób przyjazny dla środowiska.

## GWARANCJA

Produkty VONROC są wytwarzane zgodnie z najwyższymi standardami jakości i producent udziela gwarancji na wady materiałowe i wady wykonania na okres wymagany prawem, licząc od dnia zakupu. Jeśli wystąpi usterka produktu w tym okresie spowodowana wadą materiałową i/lub wadą wykonania, proszę bezpośrednio skontaktować się ze sprzedawcą VONROC.

Następujące okoliczności powodują unieważnienie gwarancji:

- Przeprowadzono naprawy lub modyfikacje narzędzia w serwisie innym lub autoryzowany lub podjęto ich próbę;
- Normalne zużycie nie jest objęte gwarancją;
- Narzędzie było używane niezgodnie z przeznaczeniem, źle z nim się obchodzono lub było nieprawidłowo konserwowane;
- Użyto części zamiennych innych niż oryginalne.

Niniejsza gwarancja to wyłączna gwarancja producenta i nie obowiązują żadne inne wyrażone ani dorozumiane gwarancje. Nie obowiązują

żadne inne wyrażone ani dorozumiane gwarancje o zakresie przekraczającym niniejszą gwarancję, co obejmuje dorozumiane gwarancje przydatności do sprzedaży i przydatności do określonego celu. W żadnym przypadku firma VONROC nie ponosi odpowiedzialności za straty przypadkowe lub wynikowe. Zadośćuczynienie sprzedawcy jest ograniczone do naprawy lub wymiany niezgodnych urządzeń lub części.

**Produkt i instrukcja obsługi podlegają zmianom. Dane techniczne podlegają zmianom bez uprzedzenia.**





## DECLARATION OF CONFORMITY

### OS503DC / S\_OS503DC / S2\_OS503DC / S3\_OS503DC - RANDOM ORBITAL SANDER

- (EN) We declare under our sole responsibility that this product is in conformity with directive 2011/65/EU of the European parliament and of the council of 8 June on the restriction of the use of certain hazardous substances in electrical and electronic equipment is in conformity and accordance with the following standards and regulations:
- (DE) Der Hersteller erklärt eigenverantwortlich, dass dieses Produkt der Direktive 2011/65/ EU des Europäischen Parlaments und des Rats vom 8. Juni 2011 über die Einschränkung der Anwendung von bestimmten gefährlichen Stoffen in elektrischen und elektronischen Geräten entspricht. den folgenden Standards und Vorschriften entspricht:
- (NL) Wij verklaren onder onze volledige verantwoordelijkheid dat dit product voldoet aan de conform Richtlijn 2011/65/EU van het Europees Parlement en de Raad van 8 juni 2011 betreffende beperking van het gebruik van bepaalde gevaarlijke stoffen in elektrische en elektronische apparatuur en in overeenstemming is met de volgende standaarden en reguleringen:
- (FR) Nous déclarons sous notre seule responsabilité que ce produit est conforme aux standards et directives suivants: est conforme à la Directive 2011/65/EU du Parlement Européen et du Conseil du 8 juin 2011 concernant la limitation d'usage de certaines substances dangereuses dans l'équipement électrique et électronique.
- (ES) Declaramos bajo nuestra exclusiva responsabilidad que este producto cumple con las siguientes normas y estándares de funcionamiento: se encuentra conforme con la Directiva 2011/65/UE del Parlamento Europeo y del Consejo de 8 de junio de 2011 sobre la restricción del uso de determinadas sustancias peligrosas en los equipos eléctricos y electrónicos.
- (IT) Dichiariamo, sotto la nostra responsabilità, che questo prodotto è conforme alle normative e ai regolamenti seguenti: è conforme alla Direttiva 2011/65/UE del Parlamento Europeo e del Consiglio dell'8 giugno 2011 sulla limitazione dell'uso di determinate sostanze pericolose nelle apparecchiature elettriche ed elettroniche.
- (PL) Deklarujemy na własną odpowiedzialność, że ten produkt spełnia wymogi zawarte w następujących normach i przepisach: jest zgodny z Dyrektywą 2011/65/UE Parlamentu Europejskiego i Rady z dnia 8 czerwca 2011 r. w sprawie ograniczenia stosowania niektórych niebezpiecznych substancji w sprzęcie elektrycznym i elektronicznym.

**EN55014-1, EN55014-2, EN60335-1, EN60335-2-29, EN61000-3-2, EN61000-3-3, EN62233, EN62841-1, EN62841-2-4, 2006/42/EC, 2011/65/EU, 2012/19/EU, 2014/30/EU, 2014/35/EU**

Zwolle, 01-07-2020

H.G.F Rosberg  
CEO

**VONROC • Lingenstraat 6 • 8028 PM Zwolle • The Netherlands**

---



**VONROC®**  
BUILD YOUR FUTURE

©2020 VONROC  
[WWW.VONROC.COM](http://WWW.VONROC.COM)

2007-24