

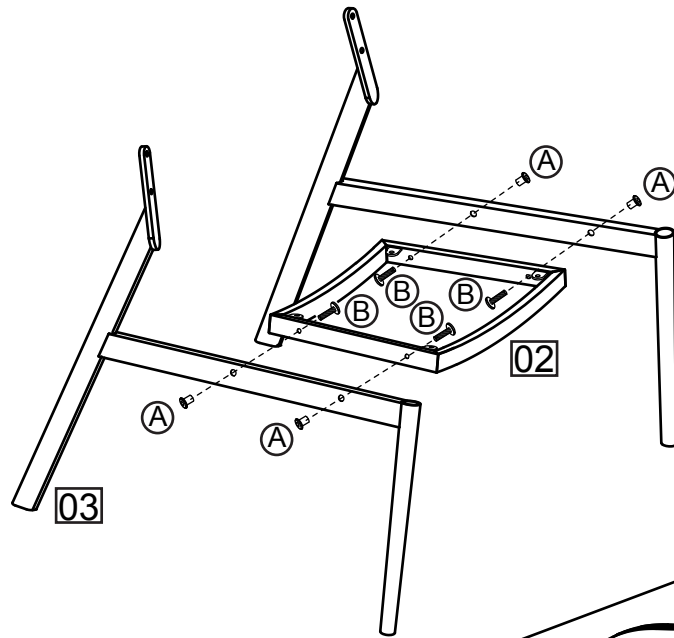
LOUNGE CHAIR SPIKE

zUiver^o

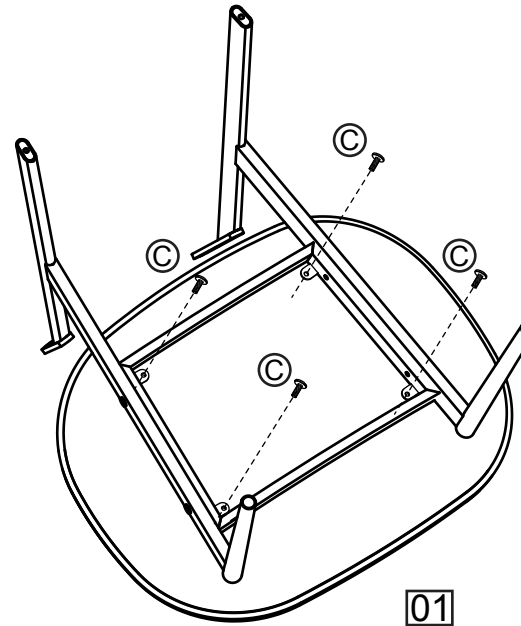
COMPONENT PARTS

FITTINGS

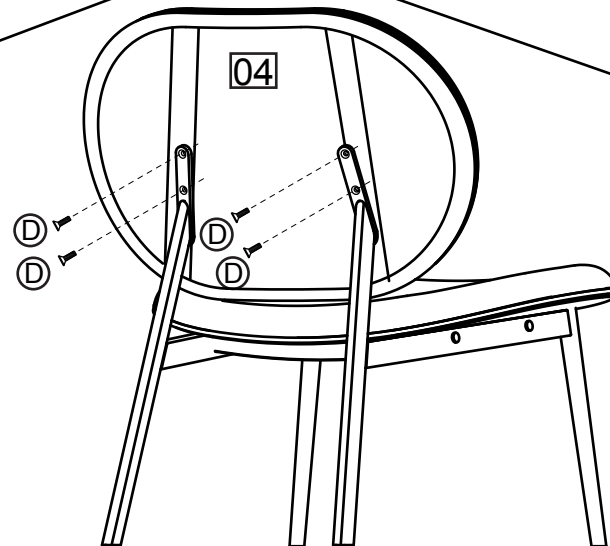
Step1

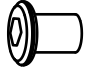

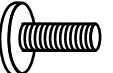



Step2



Step3



- A

×4
 (M6×12MM×φ9MM)
- B

×4
 (M6×30MM)
- C

×4
 (M6×20MM)
- D

×4
 (M6×20MM)

COMPONENT CHECKLIST

| PART | No. | Qty. | |
|----------|-----|------|--------------------------|
| Seat | 01 | 1 | <input type="checkbox"/> |
| Tray | 02 | 1 | <input type="checkbox"/> |
| Leg | 03 | 2 | <input type="checkbox"/> |
| Backrest | 04 | 1 | <input type="checkbox"/> |

TOOLS REQUIRED

