

## FT10CN/FT15CN/FT30CN

---



**FT10CN/FT15CN**



**FT30CN**

USER MANUAL	4
HANDLEIDING	13
MODE D'EMPLOI	22
BEDIENUNGSANLEITUNG	31



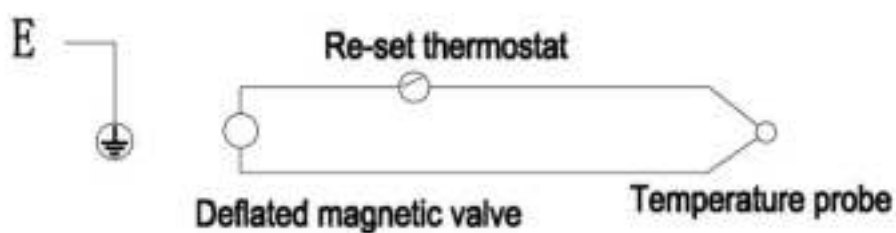
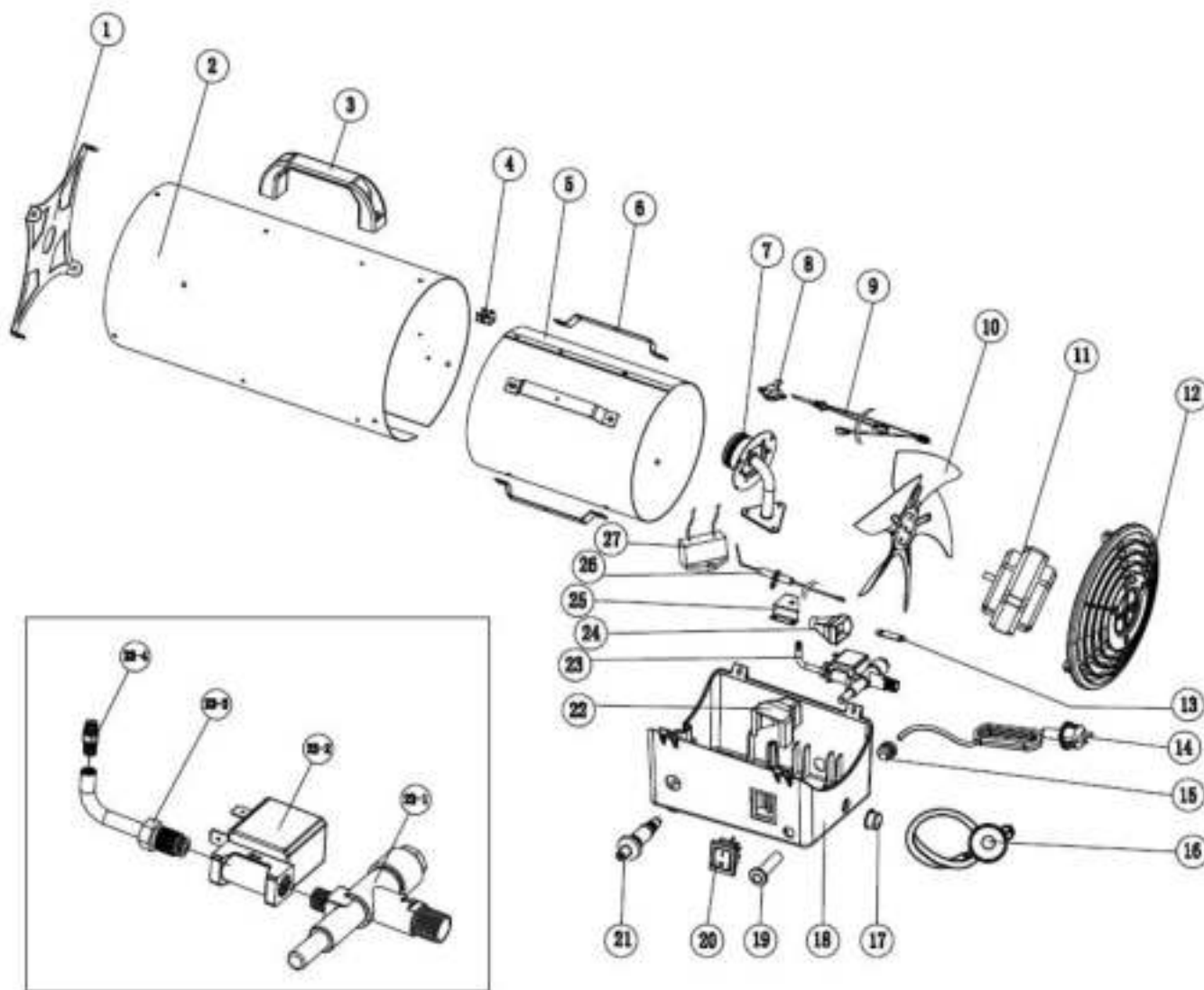
Appliance intended for outdoor use only (suitable for safe operation outside enclosed spaces).

Toestel uitsluitend voor gebruik buitenshuis (geschikt voor een veilige functionering buiten gesloten ruimten).

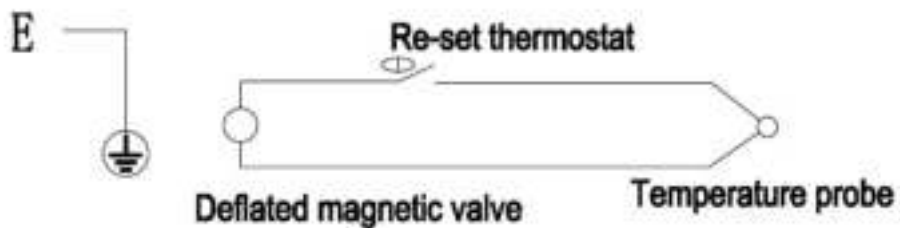
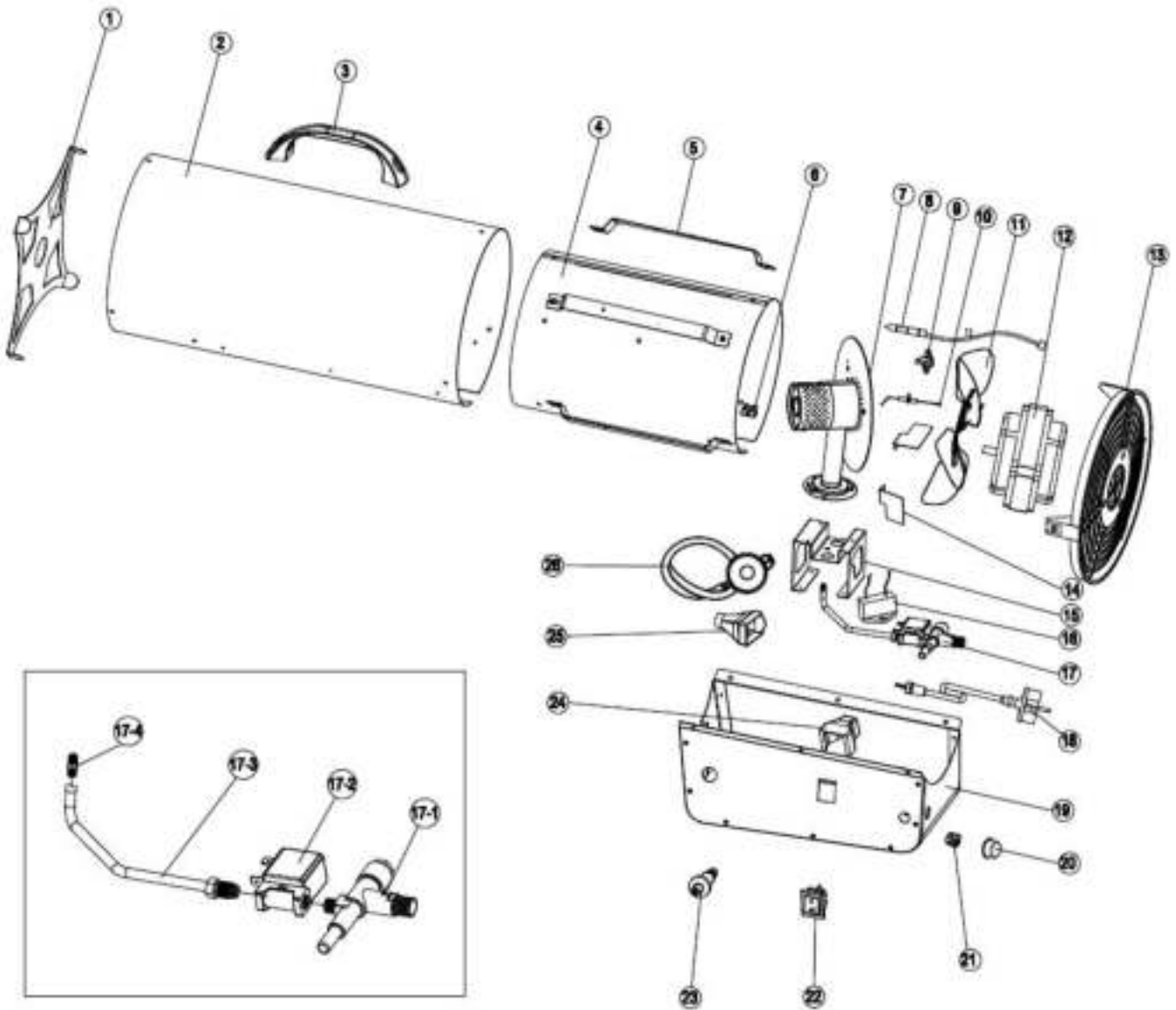
Appareil destiné exclusivement à un usage extérieur (peut être utilisé en toute sécurité à l'extérieur de locaux fermés).

Produkt, das nur für den Gebrauch im Freien bestimmt ist (für einen sicheren Betrieb außerhalb geschlossener Räume geeignet).

FT10CN + FT15CN



FT30CN



# USER MANUAL

## 1. Introduction



### To all residents of the European Union

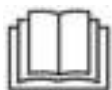
#### Important environmental information about this product

This symbol on the device or the package indicates that disposal of the device after its lifecycle could harm the environment. Do not dispose of the unit (or batteries) as unsorted municipal waste; it should be taken to a specialized company for recycling. This device should be returned to your distributor or to a local recycling service. Respect the local environmental rules.

**If in doubt, contact your local waste disposal authorities.**

Thank you for choosing Perel! Please read the manual thoroughly before bringing this device into service. If the device was damaged in transit, do not install or use it and contact your dealer.

## 2. Safety Instructions



Read and understand this manual and all safety signs before using this appliance.



The device must be installed according to the local ventilation standards as these can differ from country to country.



Do not use this mobile heater in occupied spaces of residential buildings. Please consult the local rules when prior to using this heater in public buildings.



This heater is not intended for use by persons (including children) with reduced physical, sensory or mental capabilities, or lack of experience and knowledge, unless they have been given supervision or instruction concerning use of the appliance by a person responsible for their safety. Keep this device at a safety distance from animals.



The erroneous use of this heater may result in damage and lead to life-threatening risks such as injuries, burns, explosions, electric shocks or poisoning. The first symptoms of carbon monoxide poisoning may be confused with those of the flu: headache, dizziness and/or nausea. These symptoms may be caused by an improper working of the mobile heater. **If you experience one of these symptoms, immediately proceed in the open air. Also, ask a qualified technician to repair the device.**



Any cleaning, maintenance or repair activity involving a dangerous component (e.g. replacement of a damaged power cable, repair of the burner) must be done by the manufacturer, its after-sales service or a qualified technician in order to avoid risks, even if the device has been disconnected from the mains.



Velleman nv cannot be held responsible in the event of damage or injury from (incorrect) use of this device.

- Only use this mobile heater with the fuel, an alternating current and the frequency specified on the specifications label.
- The mobile heater must only be used when an adequate air exchange rate can be guaranteed. This device must therefore be used in the open air or in a well-ventilated room only. Install the device following all local regulations, included those with respect to technical standards and the regulations concerning the prevention of accidents and fires.
- The mobile heater needs an adequate airflow to function properly. In fact, it must only be used in the open air or in a room with sufficient and continuous airflow. Sufficient airflow is guaranteed when the minimum room volume equals 1 m<sup>3</sup> for every 100 W of power. Never must the total volume of the room be less than 100 m<sup>3</sup>. Sufficient ventilation is guaranteed only when the ventilation openings have a total volume of 25 cm<sup>2</sup> for every kW of thermal power for a minimum surface of 250 cm<sup>2</sup>.

- The mobile heater must be used only as a gas heater or fan, according to the instructions in this user manual.
- Should you smell gas, the mobile heater may be defective or present a gas leak. In this case, immediately switch off the device: close the pressure regulator, disconnect the device from the mains and contact your local dealer.
- The flexible hose should never be crimped, bent or handled with brute force when using or handling the device.
- Install the gas cylinder so that it is protected. Install it in the back of the mobile heater and never place it in front of the hot air output. **Never aim the device at the gas cylinder.**
- Make sure that no object hampers the fan air intake.
- Only connect the mobile heater to an earthed mains.
- Do not hamper, completely or partially, the air intake at the back and/or the air output at the front. Avoid using any type of air canalization toward or from the device.
- The minimum safety distance is 2 m from walls or any other object.
- The mobile heater may only be used on a fireproof surface.
- Connect the mobile heater on a levelled, stable and fireproof surface to avoid fire risks.
- The mobile heater may not be used in rooms where explosive dusts, gases, liquids or any other flammable materials are present (fabrics, wood, paper, petrol, etc.).
- It is recommended to use a fireproof protection if the mobile heater is being used near steps, curtains or other covering materials. A minimum safety distance of 2.5 m between the hot parts of the device and any flammable material (fabrics, wood, paper, petrol, etc.) or from thermolabile materials (included the power cable) must be observed.
- Maintenance and internal cleaning activities may only be commended to a specialised technician appointed by the manufacturer.
- The heater must be disconnected from the mains and from any gas-feeding device if the heater is to be left unattended and if the safety instructions cannot be observed.
- If the heater does not switch on or if it switches on in an abnormal way, disconnect the heater from the mains and from any gas-feeding device. Check the airflow to the heater and make sure it is sufficient before trying to switch on the heater.
- Never move, manipulate or clean a switched-on heater.
- Only replace the gas hose with a similar hose or with a hose which is able to cope with the used gas pressure. Refer to the local regulations. The used gas hose must be 1.5 m long. Do not crimp or bend the gas hose.
- Do not use a gas hose to canalize hot air.
- Disconnect the heater from the mains, cut the gas supply, disconnect the gas hose and close the gas intake inside the heater if it will not be used for a longer period.
- It is recommended to leave the annual maintenance of the heater to a specialized technician.
- Do not use this equipment in basements or premises below ground level.
- This device should only be used together with the hose and regulator provided. If the hose or regulator is damaged, it must be replaced by the original spare part (order code: FT11), which can be ordered from the manufacturer or service agent.
- NOT TO BE USED FOR THE HEATING OF HABITABLE AREAS OF DOMESTIC PREMISES; FOR USE IN PUBLIC BUILDINGS, REFER TO NATIONAL REGULATIONS.

### 3. Warning



Asphyxiation hazard.

- Do not use in unventilated areas. Lack of proper ventilation will lead to improper combustion. Improper combustion can lead to carbon monoxide poisoning and serious injury or death. Symptoms of carbon monoxide poisoning can include headache, dizziness and difficulty in breathing.
- Never obstruct the front and back of the heater.



**GAS ODOUR.** Gas has odorants added specifically for gas leak detection. If a gas leak occurs, you should be able to smell gas. Since LP gases are heavier than air, you should smell for the gas odour low to the floor. Any gas odour is your signal to go into immediate action.

- Do not take any action that could ignite the fuel gas. Do not operate any electrical switches. Do not pull any power supply or extension cords. Do not light matches or any other source of flame. Do not use your telephone.
- Get everyone out of the building and away from the area immediately.
- Close all gas tank or cylinder supply valves, or the main supply valve located at the meter if you use natural gas.
- Leave the area or building and call your gas supplier and the fire department. Stay out of the area or the building until it is declared safe by the gas supplier and the fire department.
- Let the gas supplier and the fire department check for the gas leak.

## 4. General Guidelines

Refer to the Velleman® Service and Quality Warranty on the last pages of this manual.

## 5. Connecting and Replacing the Gas Cylinder

Only replace the gas cylinder in the open air, far from any open flame or heat source.

Connect the gas cylinder using following accessories:

- 1 flexible hose for liquid gas (incl.)
- 1 pressure regulator for liquid gas (incl.)

### Connection

1. Connect the gas hose to the heater without forcing.
2. Install the pressure regulator on the gas cylinder.
3. Check if the connection of the pressure regulator is correctly sealed according to the used gas cylinder.
4. Open the valve of the gas cylinder or the pressure regulator if the gas cylinder does not feature a valve.
5. Check if the connection are correctly sealed using soapy water: soap bubbles may point to a gas leak. **Never test for gas leaks with an open flame.**

The connections may have a left-handed screw thread. Consequently, they are threaded in a anticlockwise direction.

Check if there is a clamp between the pressure regulator and the gas cylinder.

It is allowed to interconnect multiple gas cylinders to increase the fuel autonomy.

The feeding pressure is obtained through the pressure regulator and corresponds to the data on the specifications table.

Only use certified replacement gas hoses.



It is recommended to use gas cylinders of 30 kg providing a thermal power of 30 kW. You are allowed to use larger gas cylinders if more thermal power is needed.



It is recommended to use gas cylinders with an appropriate capacity to avoid problems due to partial fuel gasification. The correct pressure (refer to the specification tag on the heater) is indicated by the included pressure regulator or a similar model.



Make sure the feeding gas hose is in perfect condition. Only use flexible and appropriate models when replacing the gas hose. Always respect the local regulations. Do not crimp the flexible hose.

## 6. Connecting to the Mains

Before connecting the heater to the mains, check if the used power supply and frequency match the specifications on the specification tag. Always respect the local regulations when connecting the heater to the mains.

Only connect the device to an earthed mains.

Disconnect the device from the mains prior to any maintenance or cleaning activity.



Always make sure that the mains is earthed.

## 7. Switching On the Heater

1. Open the gas valve.
2. Flick the switch to position I.
3. Fully press and hold the gas valve. Operate the ignition several times.
4. The flame burns. Hold the gas valve pressed for 15 seconds to activate the safety mechanism.
5. Release the gas valve. The flame will keep burning.  
The safety mechanism will automatically switch off the heater in a few seconds in case of an electric power failure. This mechanism will also switch off the heater in case of a gas shortage. In both cases, follow the explanation above to switch on the heater again.
6. Regulate the gas flow.
7. Avoid operating the ignition for a prolonged period. Check for problems if the heater does not switch on.

## 8. Checking a Switched-On Heater

Check a switched-on heater by observing the pilot flame at the air exit of the heater. Make sure that the pilot light burns steadily inside the burner.



Be careful when checking the pilot light as the air exiting the heater can be extremely hot. Maintain yourself at a safe distance.

## 9. Switching Off the Heater

1. Close the gas cylinder.
2. Close the pressure regulator or disconnect it from the gas cylinder.
3. Leave the heater to cool down for at least 60 seconds after the pilot light has died out.
4. Switch off the heater by flicking the switch to the O position.
5. Disconnect from the mains by pulling the plug.
6. Disconnect the flexible hose from the heater.

## 10. Using the Heater near Persons or Animals

The heater can be used in a well-ventilated room where the pollutant percentage does not exceed the allowed levels.

Sufficient ventilation is guaranteed only when the minimum room volume, in m<sup>3</sup>, is 30 times the nominal thermal power (in kW) of all the switched-on devices used in that room, and when the ventilation happens through doors, windows or other openings which have a minimum total volume, in m<sup>3</sup>, of 0.003 times the nominal thermal power (in kW) of all the switched-on devices used in that room.

Do not use the heater to permanently heat stables or other animal housings.

## 11. Using the Heater far from Persons and Animals

This heater may only be used for heating rooms if the necessary airflow needed for the burning of the fuel can be guaranteed.

The necessary air volume is guaranteed when the minimum room volume, in m<sup>3</sup>, is 10 times the nominal thermal power (in kW) of all the switched-on devices used in that room.

A normal airflow through doors and windows must be guaranteed.

## 12. Ventilation during the Summer

This heater can also be used as a fan. To do so, disconnect the heater from the gas source, connect to the mains and flick the switch on the I position.



Follow the correct procedure and disconnect the heater from the mains if it has previously been used in heating mode. See chapter **Switching Off the Heater**.

## 13. Cleaning and Maintenance Instructions Intended for the User

Any cleaning activity involving a dangerous component (e.g. replacement of a damaged power cable, repair of the burner) must be done by the manufacturer, its after-sales service or a qualified technician in order to avoid risks, even if the device has been disconnected from the mains.

Clean the heater after each use and prior to storing the device.

Regularly clean the burner when using the heater in dusty environments.

Check the flexible gas hose and the mains connection prior to using the heater. Contact a specialised technician if in doubt about the quality of the gas hose.

Never clean a switched-on heater.

Completely disconnect the heater from the mains before any cleaning activity. See chapter **Switching Off the Heater**.

Cleaning the heater does not require special tools. Always check for gas leaks in the circuit or at the connections, and make sure the pressure is correct after and before each cleaning activity.

Maintenance should be performed at least once a year.

Any repair activity must be performed by qualified personnel only. Never open the appliance yourself!

Disconnect the gas hose and store the appliance in a dry, clean, dust-free and safe place outside the reach of children.

Always close the stop valve of the gas cylinder first when the appliance is not in use.

Use with cylinders of approximately Ø 30 cm, H 55 cm.

Only use a gas hose in accordance with EN 16436-1:2014+A1 class 2 with a diameter of min. 6.3 mm and a recommended length of 1.5 m.

Only use this appliance together with an EN 16129 compliant regulator (G31:700 mbar).



**Troubleshooting**

<b>problem</b>	<b>possible cause</b>	<b>possible solution</b>
The fan does not work.	No power voltage.	Check if the heater is connected to the mains and the residual-current device or fuse switch is fine.
	The fan is locked.	Please contact a technician.
	Damaged power cable of switch.	Please contact a technician.
The piezo igniter does not work.	The electrode is in the wrong position (distance to the burner is too large or too small).	Please contact a technician.
No gas on the burner.	The gas valve is closed.	Open the gas valve.
	The gas cylinder is empty.	Replace the gas cylinder as described in chapter <b>Connecting and Replacing the Gas Cylinder</b> .
	Gas connections badly sealed.	Close the gas supply immediately and contact a technician.
Gas leak and/or gas smell.	Gas connections badly sealed.	Close the gas supply immediately and contact a technician.
The burner switches on but the flame dies out when releasing the gas valve button.	The thermo-element is insufficiently warmed up or damaged.	Re-ignite and press the gas valve button for at least 30 seconds after ignition. Please contact a technician with recurring problems.
Too much incoming gas or too large a flame.	Damaged pressure regulator.	Replace the pressure regulator.
The burner dies out.	Insufficient air feeding.	Make sure the fan works perfectly. Assure optimum airflow by removing all objects in front of the air intake and outtake. Respect the prescribed safety distances: - Air intake > 2.5 m - Air outtake > 3.5 m - Sides > 2 m - Above heater > 2 m
	The heater is overheated.	Leave the heater to cool down for 5 minutes before switching on. Please contact a technician with recurring problems.
	Insufficient gas feeding volume (empty tank).	Check the gas feeding volume and connect a new/bigger gas cylinder if necessary as described in chapter <b>Connecting and Replacing the Gas Cylinder</b> .

## 14. Servicing Instructions Intended for the Technician

Any maintenance, replace or repair activity involving a dangerous component must be done by the manufacturer, its after-sales service or a qualified technician in order to avoid risks, even if the device has been disconnected from the mains.

Warning - Use only original replacement parts. This heater must use design-specific parts. Do not substitute or use generic parts. Improper replacement parts could cause serious or fatal injuries. This will also protect your warranty coverage for parts replaced under warranty.

The technician must read this user manual prior to start replacement, repair or maintenance activities on the heater. Please contact the manufacturer if technical support, information on spare parts or other information about this heater is needed.

Never operate the heater in a non-authorized manner.

Maintaining, replacing and repairing parts of the heater does not require special tools. Always check for gas leaks in the circuit or at the connections, and make sure the pressure is correct after and before each replacement or reparation.

The appliance can be checked for soundness as below. A gas test gauge and gas leak detector spray is required.

- Step 1 - Connect gas test gauge to gas meter.  
Connect a zeroed gas test gauge to the testing point of your gas meter.
- Step 2 - Open supply valve.  
Open the supply valve of the meter until the pressure increases to approximately 10 mbar. Then, close the valve.
- Step 3 - Observe gas test gauge.  
Wait for 1 minute and observe the gas test gauge. There should not be any perceptible movement of the water in the u-tube. If the pressure rises, it demonstrates that the supply valve is not fully stopping the gas from leaving the meter; it is 'letting-by'. The valve will need to be checked further. You should spray leak detection spray into the valve to double-check if it is letting-by. Gas let-by will be indicated by bubbles forming around the supply valve. If a leak is detected, the supply valve should be repaired or replaced by a qualified gas safe engineer.
- Step 4 - Increase pressure.  
If, however, there is no let-by, slowly open the supply valve and increase the pressure until the gas test gauge reads 20 mbar. Then, close the valve.
- Step 5 - Wait for another minute.  
Allow another minute for temperature stabilization. This is a period of time in which the gas expands or contracts and adapts to the temperature environment within the pipework. Following 1 minute, if the pressure has dropped slightly, readjust the pressure to 20 mbar by opening the supply valve.
- Step 6 - Observe gas test gauge.  
Observe the gas test gauge over the next two minutes. During this time, there should be no pressure drop. If a drop has occurred, close the appliance isolation valves on the meter to confirm that the meter itself is not leaking and the drop is, instead, due to a faulty gas appliance. No drop is allowed in the system pipework if the isolation valves are closed.
- Step 7 - Remove gauge and reseal gas test point.  
Following a successful test, remove the gas test gauge and reseal the gas test point on the meter.  
Re-open the inlet supply valve and apply leak detector spray to the test point and all pipework before the valve to the supply pipe to double check that there is no leak.

Never leave the heater unattended while burning.

**Troubleshooting**

problem	possible cause	possible solution
The piezo igniter does not work.	Damaged piezo igniter or electrode.	Check the piezo igniter and electrodes, and replace the damaged part if necessary.
	No or loose connection between electrode and piezo igniter.	Check the connection and repair if necessary.
No gas.	Clogged nozzle.	Carefully clean the nozzle with pressurized air. Never use a needle or similar pointed object.
	Damaged solenoid valve.	Replace the solenoid valve.
The burner switches on but the flame dies out when releasing the gas valve button.	Damaged thermocouple and/or thermo-element.	Check the thermocouple and thermo-element, and replace the damaged part if necessary.

**Spare Parts**

Refer to the illustrations on pages 2 and 3.

FT10C + FT15C		
No.	Description	#
1	front grill	1
2	outer casing	1
3	handle	1
4	earth wire connection	1
5	inner shell	1
6	insulation shell support	4
7	burner head assembly	1
8	thermal cut-out	1
9	thermocouple	1
10	fan	1
11	motor	1
12	air inlet grill	1
13	valve fixing plate	1
14	power cord	1
15	cable fastener	1
16	regulator	1
17	inlet connection protection cover	1
18	bottom base	1
19	valve filter	1
20	switch	1
21	dual igniter	1
22	waterproof cover	1
23	solenoid valve	1
23-1	gas escape valve	1
23-2	solenoid valve	1
23-3	gas pipe	1
23-4	gas nozzle	1
24	waterproof protective cover	1
25	nozzle support bracket	1
26	ignition needle	1
27	capacitor	1

FT30C		
No.	Description	#
1	front grill	1
2	outer casing	1
3	handle	1
4	inner shell	1
5	insulation shell support	4
6	earth wire connection	1
7	burner head assembly	1
8	thermocouple	1
9	thermal cut-out	1
10	ignition needle	1
11	fan	1
12	motor	1
13	air inlet grill	1
14	blade for combustion	2
15	nozzle support bracket	1
16	capacitor	1
17	solenoid valve	1
17-1	gas escape valve	1
17-2	solenoid valve	1
17-3	gas pipe	1
17-4	gas nozzle	1
18	power cord	1
19	bottom base	1
20	inlet connection protection cover	1
21	cable fastener	1
22	switch	1
23	dual igniter	1
24	waterproof cover	1
25	waterproof protective cover	1
26	regulator	1

## 15. Technical Specifications

Product	Portable forced convection direct gas fired air heater (A3)
Trademark	Perel
Model number	FT10CN
Appliance category	I <sub>3P</sub>
Reference gas	G31 (propane)
Country of destination	BE, FR, GB, IE, NL
Supply pressure (mbar)	700
Nominal heat input (kW)	10
Gas consumption (kg/h)	0,73
Electrical input	220-240 V~, 50 Hz, 304 mA, 70 W
IP rating	IPX4
Air delivery temperature classification	Space heating appliances

Product	Portable forced convection direct gas fired air heater (A3)
Trademark	Perel
Model number	FT15CN
Appliance category	I <sub>3P</sub>
Reference gas	G31 (propane)
Country of destination	BE, FR, GB, IE, NL
Supply pressure (mbar)	700
Nominal heat input (kW)	15
Gas consumption (kg/h)	1,09
Electrical input	220-240 V~, 50 Hz, 304 mA, 70 W
IP rating	IPX4
Air delivery temperature classification	Space heating appliances

Product	Portable forced convection direct gas fired air heater (A3)
Trademark	Perel
Model number	FT30CN
Appliance category	I <sub>3P</sub>
Reference gas	G31 (propane)
Country of destination	BE, FR, GB, IE, NL
Supply pressure (mbar)	700
Nominal heat input (kW)	30
Gas consumption (kg/h)	2,18
Electrical input	220-240 V~, 50 Hz, 304 mA, 70 W
IP rating	IPX4
Air delivery temperature classification	Space heating appliances

**Use this device with original accessories only. Velleman nv cannot be held responsible in the event of damage or injury resulting from (incorrect) use of this device. For more info concerning this product and the latest version of this manual, please visit our website [www.perel.eu](http://www.perel.eu). The information in this manual is subject to change without prior notice.**

### © COPYRIGHT NOTICE

**The copyright to this manual is owned by Velleman nv. All worldwide rights reserved.** No part of this manual may be copied, reproduced, translated or reduced to any electronic medium or otherwise without the prior written consent of the copyright holder.

# HANDLEIDING

## 1. Inleiding

### Aan alle ingezetenen van de Europese Unie

#### Belangrijke milieu-informatie betreffende dit product

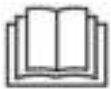


Dit symbool op het toestel of de verpakking geeft aan dat, als het na zijn levenscyclus wordt weggeworpen, dit toestel schade kan toebrengen aan het milieu. Gooi dit toestel (en eventuele batterijen) niet bij het gewone huishoudelijke afval; het moet bij een gespecialiseerd bedrijf terecht komen voor recycling. U moet dit toestel naar uw verdeler of naar een lokaal recyclingpunt brengen. Respecteer de plaatselijke milieuwetgeving.

**Hebt u vragen, contacteer dan de plaatselijke autoriteiten betreffende de verwijdering.**

Bedankt voor uw aankoop! Lees deze handleiding grondig door voor u het toestel in gebruik neemt. Werd het toestel beschadigd tijdens het transport, installeer het dan niet en raadpleeg uw dealer.

## 2. Veiligheidsvoorschriften



Lees en begrijp deze handleiding en de veiligheidsinstructies vóór ingebruikname.



Installeer dit toestel volgens de plaatselijke geldende voorschriften, deze kunnen van land tot land variëren.



Gebruik dit toestel niet in bewoonbare ruimten van residentiële gebouwen. Raadpleeg de lokale wetgeving alvorens het toestel te gebruiken in openbare gebouwen.



Dit toestel is niet geschikt voor gebruik door personen (kinderen inbegrepen) met verminderde fysieke, zintuiglijke of geestelijke capaciteiten of gebrek aan ervaring en kennis, tenzij zij onder toezicht staan of instructie hebben gekregen over het gebruik van het toestel van een persoon die verantwoordelijk is voor hun veiligheid. Houd dieren op een veilige afstand van het toestel.



Een verkeerd gebruik van dit toestel kan leiden tot letsels of de dood als gevolg van brandwonden, brand, ontploffing, elektrische schokken of vergiftiging. De eerste symptomen van koolmonoxidevergiftiging lijken op symptomen van de griep: hoofdpijn, duizeligheid en/of misselijkheid. Hebt u deze symptomen, dan is het mogelijk dat het toestel niet correct functioneert. **Als u deze symptomen vertoont, zorg dat u onmiddellijk frisse lucht krijgt. Laat het toestel herstellen door een vakman.**



Alle reinigings-, onderhouds- of reparatiewerkzaamheden (bv. vervangen van een beschadigde voedingskabel, herstellen van de brander) moeten worden uitgevoerd door de fabrikant, zijn dienst-na-verkoop of een vakman om gevaar te vermijden, zelfs als het toestel van het lichtnet ontkoppeld is.



Velleman nv is niet aansprakelijk voor schade of kwetsuren bij (verkeerd) gebruik van dit toestel.

- Gebruik dit toestel enkel met de brandstof, netspanning en frequentie, die op het typeplaatje zijn aangegeven.
- Het toestel mag alleen worden gebruikt wanneer een goede luchttoevoer kan worden gegarandeerd. Gebruik het toestel alleen in de openlucht of in een goed geventileerde ruimte. Installeer het toestel volgens de geldende nationale voorschriften en normen met betrekking tot brand- en ongevalspreventie.
- Het toestel heeft voldoende luchttoevoer nodig om correct te functioneren. Het mag alleen gebruikt worden in de openlucht of in een goed geventileerde ruimte. Een goede luchttoevoer is gegarandeerd wanneer het volume van de ruimte met 1 m<sup>3</sup> per 100 W-vermogen overeenkomt. Het volume van de ruimte mag niet groter zijn dan 100 m<sup>3</sup>. Een goede luchttoevoer is gegarandeerd wanneer het totale volume van de ventilatieopeningen

25 cm<sup>2</sup> bedraagt voor elk kW thermisch vermogen, voor een minimale oppervlakte van 250 cm<sup>2</sup>.

- Gebruik het toestel uitsluitend als gasverwarming of ventilator en respecteer de instructies in de gebruikershandleiding.
- Ruikt u gas, dan is het toestel mogelijk defect of is er een gaslek. Schakel het toestel onmiddellijk uit: draai de drukregelaar dicht, ontkoppel het toestel van het lichtnet en contacteer uw verdeler.
- De flexibele slang mag niet worden gebogen, gekneld of geforceerd wanneer u het toestel gebruikt of hanteert.
- Plaats de gasfles op een goed beschermde plaats. Plaats de gasfles achter het toestel en nooit voor de warme luchtuitlaat. **Richt het toestel nooit naar de gasfles.**
- Steek nooit objecten in de ventilatieopeningen.
- Sluit het toestel alleen aan op een geaard stopcontact.
- Blokkeer nooit, geheel of gedeeltelijk, de luchtinlaat (achterkant) en/of de luchtuitlaat (voorkant). Gebruik geen extra leidingen om de lucht van of naar het toestel te kanaliseren.
- Houd een veiligheidsafstand van minstens 2 m tot muren en andere voorwerpen.
- Gebruik het toestel alleen op een hittebestendig oppervlak.
- Om brandgevaar te voorkomen, plaats het toestel op een vlak, stabiel en hittebestendig oppervlak.
- Gebruik het toestel niet in ruimten waar explosieve stoffen, gassen, vloeistoffen of andere ontvlambare materialen (stoffen, hout, papier, brandstoffen, enz.) aanwezig zijn.
- Gebruik een brandwerende bescherming wanneer u het toestel gebruikt in de nabijheid van trappen, gordijnen en andere ontvlambare materialen. Houd een veiligheidsafstand van 2.5 m tussen de warme delen van het toestel en ontvlambare (stoffen, hout, papier, petroleum, enz.) of thermolabele materialen (met inbegrip van de voedingskabel).
- Laat onderhoud- en reparatiewerkzaamheden door een bekwame vakman uitvoeren.
- Ontkoppel het toestel van het lichtnet en van elke gastoevoer als het toestel onbeheerd is en als de veiligheidsvoorschriften niet kunnen worden nageleefd.
- Als het toestel niet inschakelt of als er storing optreedt bij het inschakelen, ontkoppel het toestel van het lichtnet en van de gasfles. Controleer of de ventilator geblokkeerd is en of er voldoende luchttoevoer is voor u het toestel opnieuw inschakelt.
- Transporteer, hanteer of reinig nooit een ingeschakeld toestel.
- Vervang de gasslang enkel door een gelijkaardige slang of een slang die bestand is tegen de gebruikte gasdruk. Respecteer de plaatselijke voorschriften. De gasslang moet 1.5 m lang zijn. Zorg ervoor dat de flexibele slang niet gebogen of geknikt is.
- Gebruik een gasslang niet om warme lucht te kanaliseren.
- Wanneer het toestel gedurende een lange tijd niet wordt gebruikt, ontkoppel het toestel van het lichtnet, draai de drukregelaar dicht, ontkoppel de gasslang en draai de gastoevoer dicht.
- Laat het toestel jaarlijks onderhouden door een bekwame vakman.
- Gebruik dit toestel niet in kelders of ondergrondse ruimtes.
- Gebruik dit toestel enkel met de meegeleverde slang en drukregelaar. Indien de slang of de drukregelaar beschadigd is, mag deze enkel vervangen worden door een origineel reserveonderdeel (bestelcode: FT11) te bestellen bij de fabrikant of een erkende verdeler.
- **GEBRUIK DIT TOESTEL NIET OM WOONRUIMTES IN HUIZEN TE VERWARMEN; VOOR GEBRUIK IN OPENBARE GEBOUWEN, RAADPLEEG DE NATIONALE REGELGEVING.**

### 3. Waarschuwing



Verstikkingsgevaar.

- Gebruik het toestel niet in niet-geventileerde ruimten. Onvoldoende ventilatie zal leiden tot een slechte verbranding. Een slechte verbranding kan leiden tot CO-vergiftiging en ernstige letsels of de dood. De symptomen kunnen zijn: hoofdpijn, duizeligheid en ademhalingsproblemen.
- Blokkeer nooit de luchtinlaat en luchtuitlaat van het toestel.



**GASGEUR.** Om lekken te kunnen detecteren, wordt een geurstof aan gas toegevoegd. Een gaslek wordt daardoor waarneembaar. LP-gassen zijn zwaarder dan lucht en blijven tegen de grond hangen. U kunt de gasgeur dicht bij de vloer waarnemen. Een gasgeur vraagt om onmiddellijke actie.

- Doe niets waardoor het brandstofgas zou kunnen ontbranden. Bedien geen elektrische schakelaars. Ontkoppel geen voedings- of verlengkabels. Gebruik geen lucifers of aansteker. Gebruik uw telefoon niet.
- Evacueer onmiddellijk iedereen uit het gebouw.
- Sluit alle toevoerkleppen of de hoofdbrandstoftoevoerklep aan de meter als u aardgas gebruikt.
- Verlaat de zone of het gebouw en bel uw gasleverancier en de brandweer. Blijf weg uit het gebouw of van de zone totdat deze opnieuw veilig is verklaard door de brandweer en de gasleverancier.
- Laat de gasleverancier en de brandweer een controle uitvoeren.

## 4. Algemene richtlijnen

Raadpleeg de Velleman® service- en kwaliteitsgarantie achteraan deze handleiding.

## 5. De gasfles aansluiten en vervangen

Vervang de gasfles enkel in de openlucht, buiten het bereik van open vuur of andere warmtebronnen.

Gebruik de volgende onderdelen om de gasfles aan te sluiten:

- 1 flexibele slang voor vloeibaar gas (meegelev.)
- 1 drukregelaar voor vloeibaar gas (meegelev.)

### Aansluiting

1. Sluit de gasfles aan op het toestel zonder te forceren.
2. Monteer de drukregelaar op de gasfles.
3. Controleer of de aansluiting van drukregelaar gasdicht is (volgens de gebruikte gasfles).
4. Draai het ventiel van de gasfles of van de drukregelaar open, als de gasfles geen ventiel heeft.
5. Controleer met een zeepoplossing of de aansluiting correct afgedicht is: luchtballen kunnen wijzen op een gaslek. **Gebruik geen open vlam om op gaslekken te controleren.**

De aansluitingen kunnen een linkse schroefdraad hebben. Draai daarom in tegenwijzerzin. Controleer of er een klem tussen de drukregelaar en de gasfles aanwezig is.

U kunt ook een meerdere gasflessen met elkaar verbinden om een grotere autonomie te verkrijgen.

Regel de druk (zie lijst met technische gegevens) met de drukregelaar.

Gebruik enkel goedgekeurde gaslangen.



Gebruik gasflessen van 30 kg met een thermisch vermogen van 30 kW. Gebruik grotere gasflessen voor een hoger thermisch vermogen.



Gebruik gasflessen met een geschikte capaciteit, om problemen door gedeeltelijke brandstofvergassing te vermijden. De meegeleverde drukregelaar of een gelijkaardig model geeft de correcte druk (zie specificaties) weer.



Controleer of de toevoerslang niet beschadigd is. Gebruik alleen geschikte, flexibele slangen. Respecteer altijd de plaatselijke wetgeving. Zorg ervoor dat de flexibele slang niet gebogen of geknikt is.

## 6. Aansluiting op het net

Voor u het toestel op het lichtnet aansluit, controleer of de netspanning en frequentie overeenstemmen met de specificaties op het typeplaatje. Respecteer altijd de plaatselijke wetgeving wanneer u het toestel op het lichtnet aansluit.

Sluit het toestel alleen aan op een geaard stopcontact.

Ontkoppel het toestel van het lichtnet voor elk onderhoud of reiniging.



Controleer altijd of het stopcontact geaard is.

## 7. Het toestel inschakelen

1. Open het gasventiel.
2. Zet de schakelaar op I.
3. Houd de gastoevoerknop ingedrukt. Druk meermaals op de ontstekingsknop.
4. De vlam brandt. Houd de gastoevoerknop gedurende 15 seconden ingedrukt om het veiligheidsmechanisme te activeren.
5. Laat de gastoevoerknop los. De vlam blijft branden.  
Bij stroomuitval schakelt het veiligheidsmechanisme binnen enkele seconden het toestel automatisch uit. Ook bij een gasgebrek schakelt dit mechanisme het toestel uit. In beide gevallen, volg de bovenstaande stappen om het toestel opnieuw in te schakelen.
6. Regel de gastoevoer.
7. Houd de ontstekingsknop niet langdurig ingedrukt. Zoek naar de oorzaak van het probleem als het toestel niet inschakelt.

## 8. Het toestel controleren

Controleer de waakvlam. Controleer of de waakvlam blijft branden.



Wees voorzichtig want de lucht die uit het toestel geblazen wordt, kan extreem heet zijn. Blijf op een veilige afstand.

## 9. Het toestel inschakelen

1. Draai de gasfles dicht.
2. Draai de drukregelaar dicht of ontkoppel van de gasfles.
3. Laat het toestel minstens 60 seconden afkoelen.
4. Schakel het toestel uit door schakelaar in de 'O'-positie te zetten.
5. Ontkoppel van het lichtnet door de stekker uit het stopcontact te trekken.
6. Ontkoppel de flexibele slang van het toestel.



## 10. Het toestel in de nabijheid van personen of dieren gebruiken

Gebruik het toestel in een goed geventileerde ruimte waar de concentratie schadelijke stoffen niet overschreden wordt.

Een goede luchttoevoer is gegarandeerd wanneer het volume van de ruimte (in m<sup>3</sup>) minstens 30 keer zo groot is als het nominaal vermogen (in kW) van alle ingeschakelde toestellen in die ruimte. Een luchttoevoer door ramen en deuren of andere openingen is gegarandeerd als hun volume (in m<sup>3</sup>) van minstens 0.003 keer zo groot is als het nominaal vermogen (in kW) van alle ingeschakelde toestellen in die ruimte.

Gebruik het toestel niet om stallen of andere dierenverblijven permanent te verwarmen.

## 11. Gebruik buiten het bereik van personen of dieren

Dit toestel mag enkel worden gebruikt wanneer de nodige luchttoevoer kan worden gegarandeerd.

Het nodige luchtvolume is gegarandeerd als het volume van de ruimte (in m<sup>3</sup>) minstens 10 keer zo groot is als het nominaal thermisch vermogen (in kW) van alle ingeschakelde toestellen in die ruimte.

Een normale luchttoevoer moet gegarandeerd zijn door middel van deuren en ramen.

## 12. Ventilatie tijdens de zomer

Dit toestel kan ook als ventilator gebruikt worden. Om het toestel als ventilator te gebruiken, ontkoppel het van de gasfles en zet de schakelaar op I.



Volg de juiste procedure en ontkoppel het toestel van het lichtnet als het toestel reeds eerder is gebruikt in verwarmingsmodus. Zie hoofdstuk **Het toestel uitschakelen**.

## 13. Reiniging en onderhoud voor de gebruiker

Alle reinigings-, onderhouds- of reparatiewerkzaamheden (bv. vervangen van een beschadigde voedingskabel, herstellen van de brander) moeten worden uitgevoerd door de fabrikant, zijn dienst-na-verkoop of een vakman om gevaar te vermijden, zelfs als het toestel van het lichtnet ontkoppeld is.

Reinig het toestel na elk gebruik en voordat u het toestel opbergt.

Controleer regelmatig de brander wanneer het toestel in een stoffige omgeving wordt gebruikt.

Controleer de flexibele gas slang en de netaansluiting alvorens het toestel te gebruiken.

Contacteer een vakman wanneer u twijfelt over de kwaliteit van de gas slang.

Herstel of reinig nooit een ingeschakeld toestel.

Ontkoppel het toestel van het lichtnet voor elk onderhoud, herstel of reiniging. Zie hoofdstuk **Het toestel uitschakelen**.

Voor de reiniging van het toestel zijn geen speciale gereedschappen vereist. Controleer altijd of er geen gaslek is in het circuit of bij de aansluitingen, en zorg ervoor dat de gasdruk correct is voor elke reiniging van het toestel.

Onderhoud dient minstens 1x per jaar te gebeuren.

Laat reparaties uitsluitend uitvoeren door een vakman. Open het toestel nooit zelf!

Ontkoppel de gas slang en bewaar het toestel op een droge, propere, stofvrije en veilige plaats buiten het bereik van kinderen.

Sluit steeds eerst de afsluiter van de gas fles wanneer het toestel niet gebruikt wordt.

Te gebruiken met cilinders van ong. Ø 30 cm, H 55 cm.

Gebruik enkel een gas slang conform EN 16436-1:2014+A1 klasse 2 met een diameter van min. 6.3 mm en een aanbevolen lengte van 1.5 m.

Gebruik dit toestel uitsluitend met een regulator conform EN 16129 (G31:700 mbar).

## Problemen en oplossingen

probleem	mogelijke oorzaak	mogelijke oplossing
De ventilator werkt niet.	Geen spanning.	Controleer of het toestel is aangesloten op het lichtnet en de verliesstroomschakelaar of zekering in orde is.
	De ventilator is geblokkeerd.	Neem contact op met een technicus.
	Defecte voedingskabel of schakelaar.	Neem contact op met een technicus.
De piëzo-ontsteking functioneert niet.	De elektrode in verkeerde positie (afstand tot de brander is te groot of te klein).	Neem contact op met een technicus.
Geen gas op de brander.	Het gasventiel is dicht.	Open het gasventiel.
	De gasfles is leeg.	Vervang de gasfles zoals beschreven in <b>De gasfles aansluiten en vervangen</b> .
	De gasaansluitingen/verbindingen zijn niet goed afgesloten.	Sluit onmiddellijk de gastoevoer en neem contact op met een technicus.
Er ontsnapt gas en/of er is een gasgeur waarneembaar.	De gasaansluitingen/verbindingen zijn niet goed afgesloten.	Sluit onmiddellijk de gastoevoer en neem contact op met een technicus.
De brander springt aan maar gaat weer uit bij het loslaten van de gasventielknop.	Het thermo-element werd niet genoeg opgewarmd of is defect.	Herhaal de ontsteking en houd de gasventielknop minstens 30 seconden ingedrukt na het aansteken. Contacteer een technicus bij blijvende problemen.
Er komt teveel gas binnen, te grote vlam.	De drukregelaar is defect.	Vervang de drukregelaar.
De brander valt uit.	Onvoldoende luchttoevoer.	Controleer of de ventilator perfect werkt. Zorg voor een optimale luchtcirculatie door eventuele voorwerpen voor de aanzuigkant of luchtuitlaat te verwijderen. Respecteer de voorgeschreven veiligheidsafstanden: - Luchtinlaat > 2.5 m - Luchtuitlaat > 3.5 m - Zijkant > 2 m - Bovenkant > 2 m
		Laat het toestel 5 minuten afkoelen voor u het inschakelt. Contacteer een technicus bij blijvende problemen.
	Onvoldoende gastoevoer (de gasfles is bijna leeg).	De gasfles aansluiten en vervangen.

## 14. Onderhoudsinstructies voor de technicus

Alle reinigings-, onderhouds- of reparatiewerkzaamheden aan gevaarlijke onderdelen moeten worden uitgevoerd door de fabrikant, zijn dienst-na-verkoop of een vakman om gevaar te vermijden, zelfs als het toestel van het lichtnet ontkoppeld is.

Waarschuwing - Gebruik alleen originele reserveonderdelen die speciaal voor dit toestel zijn ontworpen. Gebruik geen generieke componenten. Ongeschikte reserveonderdelen kunnen ernstige of dodelijke letsels veroorzaken. Het gebruik van originele reserveonderdelen valt onder de garantie.

De technicus moet deze handleiding lezen alvorens reinigings-, onderhouds- of reparatiewerkzaamheden aan dit verwarmingstoestel uit te voeren. Contacteer de fabrikant voor meer technische ondersteuning, informatie over reserveonderdelen of andere informatie over dit verwarmingstoestel.

Gebruik dit verwarmingstoestel nooit op een niet-geoorloofde manier.

Voor het onderhoud, de vervanging en de reiniging van de onderdelen zijn geen speciale gereedschappen vereist. Controleer altijd of er geen gaslek is in het circuit of bij de aansluitingen, en zorg ervoor dat de gasdruk correct is voor elke vervanging of reparatie.

Controleer de goede werking van het toestel zoals hieronder beschreven. Hiervoor hebt u een gaslekdetector en een gaslekspray nodig.

- Stap 1 - Sluit de gaslekdetector aan op de gasmeter.  
Sluit een op nul afgestelde gaslekdetector aan op het testpunt van uw gasmeter.
- Stap 2 - Open de gaskraan.  
Open de gaskraan van de meter tot een druk van ongeveer 10 mbar. Sluit vervolgens de kraan.
- Stap 3 - Controleer de gaslekdetector.  
Controleer de gaslekdetector na 1 minuut. Het water in de buis mag niet zichtbaar bewegen. Stijgt de druk, dan houdt de gasklep het gas niet volledig tegen en lekt deze. U moet de gasklep verder nakijken. Spuit wat gaslekspray op de gasklep om na te gaan of deze lekt. Bij een lek vormen er zich belletjes rondom de klep. Bij een lek moet de klep gerepareerd of vervangen worden door een erkend gastechnicus.
- Stap 4 - Verhoog de druk.  
Is er geen lek, draai de kraan dan zachtjes open en verhoog de druk tot 20 mbar. Sluit vervolgens de kraan.
- Stap 5 - Wacht gedurende een minuut.  
Laat de temperatuur gedurende een minuut stabiliseren. Tijdens deze periode zet het gas uit of krimpt het, en past het zicht aan de temperatuur binnenin de leiding aan. Na een minuut kunt u de eventueel gedaalde druk terug naar 20 mbar aanpassen.
- Stap 6 - Controleer de gaslekdetector.  
Controleer de gaslekdetector gedurende twee minuten. De gasdruk mag nu niet meer dalen. Bij een daling, sluit de afsluitkraan op de meter om te zien of de meter niet lekt en de daling te wijten is aan het aangesloten gastoestel. De druk in de leiding mag niet dalen indien de afsluitkraan is dichtgedraaid.
- Stap 7 - Verwijder de gaslekdetector en verzegel het testpunt.  
Bij een veilige test, verwijder de gaslekdetector en verzegel het testpunt op de gasmeter.  
Open de kraan en spuit wat gaslekspray op het testpunt en alle gasleidingen naar de gasklep als extra controle op gaslekken.

Laat een ingeschakeld toestel nooit onbeheerd achter.

### Problemen en oplossingen

probleem	mogelijke oorzaak	mogelijke oplossing
De piëzo-ontsteking functioneert niet.	De piëzo-ontsteking en/of elektrode is defect.	Controleer de piëzo-ontsteking en de elektroden en vervang het defecte onderdeel indien nodig.
	Geen of losse verbinding tussen elektrode en piëzo-ontsteking.	Controleer de verbinding en repareer deze indien nodig.

Geen gas	Het mondstuk is verstopt.	Reinig het mondstuk voorzichtig met druklucht. Gebruik in geen geval een naald of een gelijkaardig puntig voorwerp.
	Het magneetventiel is defect.	Vervang het magneetventiel.
De brander springt aan maar gaat weer uit bij het loslaten van de gasventielknop.	De thermoschakelaar of het thermo-element is defect.	Controleer de thermo-schakelaar en het thermo-element en vervang het defecte onderdeel indien nodig.

**reserveonderdelen**

Raadpleeg de afbeeldingen op pagina 2 en 3 van deze handleiding.

<b>FT10C + FT15C</b>		
No.	Omschrijving	#
<b>1</b>	rooster	1
<b>2</b>	mantel	1
<b>3</b>	handgreep	1
<b>4</b>	aansluiting aarding	1
<b>5</b>	binnenste mantel	1
<b>6</b>	beugel binnenste mantel	4
<b>7</b>	brander	1
<b>8</b>	thermoschakelaar	1
<b>9</b>	thermo-element	1
<b>10</b>	ventilator	1
<b>11</b>	motor	1
<b>12</b>	aanzuigrooster	1
<b>13</b>	bevestigingsplaat klep	1
<b>14</b>	voedingskabel	1
<b>15</b>	kabelbinder	1
<b>16</b>	regelaar	1
<b>17</b>	beveiligingskap ingangsaansluiting	1
<b>18</b>	voet	1
<b>19</b>	klepfilter	1
<b>20</b>	schakelaar	1
<b>21</b>	dubbele ontsteker	1
<b>22</b>	waterdichte afdekkap	1
<b>23</b>	magneetklep	1
<b>23-1</b>	gasuitlaatklep	1
<b>23-2</b>	magneetklep	1
<b>23-3</b>	gasleiding	1
<b>23-4</b>	gasmondstuk	1
<b>24</b>	waterdichte beschermkap	1
<b>25</b>	beugel mondstuk	1
<b>26</b>	ontstekingsnaald	1
<b>27</b>	condensator	1

<b>FT30C</b>		
No.	Omschrijving	#
<b>1</b>	rooster	1
<b>2</b>	mantel	1
<b>3</b>	handgreep	1
<b>4</b>	binnenste mantel	1
<b>5</b>	beugel binnenste mantel	4
<b>6</b>	aansluiting aarding	1
<b>7</b>	brander	1
<b>8</b>	thermo-element	1
<b>9</b>	thermoschakelaar	1
<b>10</b>	ontstekingsnaald	1
<b>11</b>	ventilator	1
<b>12</b>	motor	1
<b>13</b>	aanzuigrooster	1
<b>14</b>	ontbrandingsplaatje	2
<b>15</b>	beugel mondstuk	1
<b>16</b>	condensator	1
<b>17</b>	magneetklep	1
<b>17-1</b>	gasuitlaatklep	1
<b>17-2</b>	magneetklep	1
<b>17-3</b>	gasleiding	1
<b>17-4</b>	gasmondstuk	1
<b>18</b>	voedingskabel	1
<b>19</b>	voet	1
<b>20</b>	beveiligingskap ingangsaansluiting	1
<b>21</b>	kabelbinder	1
<b>22</b>	schakelaar	1
<b>23</b>	dubbele ontsteker	1
<b>24</b>	waterdichte afdekkap	1
<b>25</b>	waterdichte beschermkap	1
<b>26</b>	regelaar	1

## 15. Technische specificaties

Product	Draagbare, direct gasgestookte luchtverwarmer met gedwongen convectie (A3)
Handelsmerk	Perel
Model	FT10CN
Toestelcategorie	I <sub>3P</sub>
Type gas	G31 (propaan)
Land van bestemming	BE, FR, GB, IE, NL
Toevoerdruk (mbar)	700
Nominale belasting (kW)	10
Gasverbruik (kg/u)	0,73
Elektrische ingang	220-240 V~, 50 Hz, 304 mA, 70 W
IP-norm	IPX4
Classificatie temperatuur luchttoevoer	Toestellen voor ruimteverwarming

Product	Draagbare, direct gasgestookte luchtverwarmer met gedwongen convectie (A3)
Handelsmerk	Perel
Model	FT15CN
Toestelcategorie	I <sub>3P</sub>
Type gas	G31 (propaan)
Land van bestemming	BE, FR, GB, IE, NL
Toevoerdruk (mbar)	700
Nominale belasting (kW)	15
Gasverbruik (kg/u)	1,09
Elektrische ingang	220-240 V~, 50 Hz, 304 mA, 70 W
IP-norm	IPX4
Classificatie temperatuur luchttoevoer	Toestellen voor ruimteverwarming

Product	Draagbare, direct gasgestookte luchtverwarmer met gedwongen convectie (A3)
Handelsmerk	Perel
Model	FT30CN
Toestelcategorie	I <sub>3P</sub>
Type gas	G31 (propaan)
Land van bestemming	BE, FR, GB, IE, NL
Toevoerdruk (mbar)	700
Nominale belasting (kW)	30
Gasverbruik (kg/u)	2,18
Elektrische ingang	220-240 V~, 50 Hz, 304 mA, 70 W
IP-norm	IPX4
Classificatie temperatuur luchttoevoer	Toestellen voor ruimteverwarming

**Gebruik dit toestel enkel met originele accessoires. Velleman nv is niet aansprakelijk voor schade of kwetsuren bij (verkeerd) gebruik van dit toestel. Voor meer informatie over dit product en de laatste versie van deze handleiding, zie [www.perel.eu](http://www.perel.eu). De informatie in deze handleiding kan te allen tijde worden gewijzigd zonder voorafgaande kennisgeving.**

### © AUTEURSRECHT

**Velleman nv heeft het auteursrecht voor deze handleiding. Alle wereldwijde rechten voorbehouden.** Het is niet toegestaan om deze handleiding of gedeelten ervan over te nemen, te kopiëren, te vertalen, te bewerken en op te slaan op een elektronisch medium zonder voorafgaande schriftelijke toestemming van de rechthebbende.

# MODE D'EMPLOI

## 1. Introduction



### Aux résidents de l'Union européenne

#### Informations environnementales importantes concernant ce produit

Ce symbole sur l'appareil ou l'emballage indique que l'élimination d'un appareil en fin de vie peut polluer l'environnement. Ne pas jeter un appareil électrique ou électronique (et des piles éventuelles) parmi les déchets municipaux non sujets au tri sélectif ; une déchetterie traitera l'appareil en question. Renvoyer l'appareil à votre fournisseur ou à un service de recyclage local. Respecter la réglementation locale relative à la protection de l'environnement.

**En cas de questions, contacter les autorités locales pour élimination.**

Nous vous remercions de votre achat ! Lire attentivement le présent mode d'emploi avant la mise en service de l'appareil. Si l'appareil a été endommagé pendant le transport, ne pas l'installer et consulter votre revendeur.

## 2. Consignes de sécurité



Lire et comprendre ce mode d'emploi et toutes les consignes de sécurité avant d'utiliser l'appareil.



Installer l'appareil conformément aux normes de ventilation en vigueur, qui peuvent varier d'un pays à un autre.



Ne pas utiliser l'appareil pour chauffer des habitations résidentielles. Pour une utilisation dans des bâtiments publics, consulter les réglementations locales.



Cet appareil ne convient pas aux personnes (y compris enfants) qui possèdent des capacités physiques, sensorielles ou mentales réduites, ou manquent d'expérience et de connaissances, sauf si elles ont reçu une supervision ou des instructions concernant l'utilisation de l'appareil de la part d'une personne responsable de leur sécurité. Maintenir une distance de sécurité entre l'appareil et les animaux. Maintenir une distance de sécurité entre l'appareil et les animaux.



L'utilisation incorrecte de cet appareil peut causer des dommages, lésions et même entraîner la mort, à la suite de brûlures, explosions, chocs électriques ou intoxication. Les premiers symptômes d'intoxication par oxyde de carbone s'apparentent à ceux de la grippe : maux de tête, étourdissements et/ou nausées. Si ces symptômes surviennent, il est possible que l'appareil ne fonctionne pas correctement. **Si ces symptômes se manifestent, sortir à l'air libre. Contacter un technicien qualifié pour réparer l'appareil.**



Le nettoyage, l'entretien et la réparation des composants dangereux de l'appareil (p. ex. remplacer le câble d'alimentation, réparer le brûleur, etc.) doivent être effectués par le fabricant, le service après-vente ou un technicien qualifié afin d'éviter tout risque, même si l'appareil n'est pas connecté au réseau électrique.



Velleman SA ne peut, dans la mesure conforme au droit applicable être tenue responsable des dommages ou lésions (directs ou indirects) pouvant résulter de l'utilisation de cet appareil.

- Utiliser l'appareil uniquement avec le combustible, le courant alternatif et la fréquence indiqués dans les spécifications de l'appareil.
- Utiliser l'appareil uniquement si un débit d'air approprié peut être assuré. Par conséquent, utiliser le dans un endroit bien ventilé ou à l'air libre. Installer l'appareil conformément aux normes nationales en vigueur, y compris les normes techniques et la réglementation concernant la prévention des accidents et incendies.
- L'appareil nécessite un débit d'air approprié pour pouvoir fonctionner correctement. Utiliser l'appareil uniquement dans un endroit bien ventilé ou à l'air libre. Un débit d'air suffisant est assuré si le volume de la pièce est de 1m<sup>3</sup> par chaque 100 W de puissance. S'assurer que le volume de la pièce n'est jamais inférieur à 100 m<sup>3</sup>. Une ventilation suffisante est assurée si les orifices de ventilation ont un volume total de 25 cm<sup>2</sup> par chaque kW de puissance thermique pour une surface minimale de 250 cm<sup>2</sup>.

- Utiliser l'appareil uniquement comme élément de chauffage ou comme ventilateur en respectant les instructions de ce manuel d'utilisation.
- En cas d'odeur de gaz, il est possible que l'appareil soit défectueux ou comporte une fuite de gaz. Le cas échéant, éteindre immédiatement l'appareil : fermer le régulateur de pression, déconnecter l'appareil du réseau électrique et contacter votre revendeur.
- S'assurer que le tuyau flexible n'est pas plié, tordu ou cisailé lors de l'utilisation ou le rangement de l'appareil.
- Installer la bouteille de gaz de manière de telle sorte qu'elle soit protégée. Installer la derrière l'appareil en jamais directement devant la sortie d'air chaud. **Ne jamais pointer l'appareil sur la bouteille de gaz.**
- S'assurer qu'aucun objet ne peut bloquer les orifices de ventilation.
- Brancher l'appareil uniquement sur une prise électrique appropriée avec mise à la terre.
- Ne jamais bloquer partiellement ni complètement les orifices de ventilation de la partie arrière et/ou de la partie avant. Ne pas utiliser de tuyaux pour canaliser l'air depuis et vers l'appareil.
- Maintenir une distance d'au moins 2 m entre l'appareil et le mur ou tout autre objet.
- Utiliser l'appareil uniquement sur une surface ignifuge.
- Installer l'appareil sur une surface plane, stable et ignifuge pour éviter tout risque d'incendie.
- Ne pas utiliser l'appareil dans des endroits avec beaucoup de poussières explosifs, gaz, liquides ou matériaux inflammables (bois, papier, combustible, etc.).
- Utiliser une protection ignifuge lorsque l'appareil est utilisé à proximité d'escaliers, rideaux ou d'autres matériaux inflammables. Maintenir les parties chaudes de l'appareil à une distance d'au moins de 2.5 m des matériaux inflammables (papier, bois, combustible, etc.) ou thermolabiles (y compris le câble d'alimentation).
- L'entretien et le nettoyage doivent être effectués par un technicien qualifié agréé par le fabricant.
- Déconnecter l'appareil du réseau électrique et de la bouteille de gaz si l'appareil est laissé sans surveillance ou s'il ne peut pas être utilisé en toute sécurité.
- Si l'appareil ne s'allume pas ou s'il y a des problèmes d'allumage, déconnecter le immédiatement du réseau électrique et de la bouteille de gaz. Contrôler le débit d'air vers l'appareil et s'assurer que celui-ci est suffisant avant de l'utiliser à nouveau.
- Ne jamais transporter, manipuler ni nettoyer l'appareil pendant son fonctionnement.
- Toujours remplacer le tuyau de gaz par un tuyau du même type ou un tuyau qui est compatible avec la pression de gaz utilisée. Consulter les normes nationales. S'assurer que le tuyau de gaz a une longueur de 1.5 m. Ne pas tordre le tuyau de gaz.
- Ne pas utiliser un tuyau de gaz pour canaliser l'air chaud.
- Si l'appareil n'est pas utilisé pendant une période prolongée, fermer le régulateur de pression et déconnecter l'appareil du réseau électrique et de la bouteille de gaz.
- L'entretien doit être effectué annuellement par un technicien qualifié.
- Ne pas utiliser l'appareil dans des caves ou des pièces situées en dessous du niveau du sol.
- N'utiliser cet appareil qu'avec le tuyau de gaz et le régulateur de pression inclus. En cas d'endommagement au tuyau ou au régulateur, le remplacer par une pièce de rechange officielle (référence : FT11) à commander chez le fabricant ou un revendeur officiel.
- NE PAS UTILISER POUR LE CHAUFFAGE DE ZONES HABITABLES ; POUR TOUTE UTILISATION DANS UN LIEU PUBLIC, SE REPORTER AUX RÉGULATIONS NATIONALES.

### 3. Avertissement



Risque d'asphyxie

- Ne pas utiliser dans des endroits non aérés. Le manque d'aération peut entraîner une combustion incorrecte. Une combustion incorrecte peut entraîner un empoisonnement par monoxyde de carbone et des blessures graves ou la mort. Les symptômes liés à un empoisonnement par oxyde de carbone peuvent inclure des maux de tête, des étourdissements et des difficultés respiratoires.
- Ne jamais bloquer l'entrée et la sortie d'air de l'appareil.



ODEUR DE GAZ. Une substance odorante est ajoutée au gaz afin de détecter les fuites. En cas de fuite de gaz, vous sentez une odeur de gaz. Comme les gaz LP sont plus lourds que l'air, l'odeur de gaz se détecte plus facilement près du sol. Toute odeur de gaz est un signal qu'il faut intervenir immédiatement !

- Ne pas prendre de mesure qui pourrait enflammer le gaz combustible. Ne pas activer d'interrupteurs électriques. Ne pas tirer sur aucune source d'alimentation électrique ou rallonge électrique. Ne pas allumer d'allumettes ni aucune source de flamme. Ne pas utiliser votre téléphone.
- Faire évacuer immédiatement toute personne se trouvant dans l'immeuble.
- Fermer toutes les valves d'alimentation du réservoir de gaz ou de la bouteille de gaz, ainsi que la valve d'alimentation principale située sur le compteur, si vous utilisez du gaz naturel.
- Ne pas retourner dans l'immeuble et contacter votre fournisseur de gaz et le service d'incendie. Rester à l'écart du bâtiment jusqu'à ce que l'endroit soit déclaré sans danger par le fournisseur de gaz et le service d'incendie.
- Faire vérifier toute fuite de gaz par le fournisseur de gaz ou le service d'incendie.

#### 4. Directives générales

Se référer à la garantie de service et de qualité Velleman® en fin de ce mode d'emploi.

#### 5. Connecter et remplacer la bouteille de gaz

Remplacer la bouteille de gaz à l'air libre, loin de toute flamme nue ou source de chaleur.

Utiliser les accessoires suivants pour connecter la bouteille de gaz :

- 1 tuyau flexible pour gaz liquide (incl.)
- 1 régulateur de pression pour gaz liquide (incl.)

##### Connexion

1. Connecter le tuyau de gaz à l'appareil sans forcer.
2. Connecter le régulateur de pression à la bouteille de gaz.
3. Contrôler si la connexion du régulateur de pression est correctement étanche selon la bouteille de gaz utilisée.
4. Ouvrir la vanne de la bouteille de gaz ou le régulateur de pression si la bouteille de gaz n'est pas équipée d'une vanne.
5. Contrôler l'étanchéité avec de l'eau savonneuse : Des bulles de savon apparaissent en cas de fuite. **Ne jamais effectuer un test d'étanchéité avec une flamme nue.**

Il est possible que les connexions aient un filetage à gauche. Par conséquent, faire tourner dans le sens inverse des aiguilles d'une montre.

Contrôler s'il y a un collier entre le régulateur de pression et la bouteille de gaz.

Il est possible de connecter plusieurs bouteilles de gaz pour augmenter l'autonomie.

La pression est réglée par le régulateur de pression et correspond aux spécifications indiquées dans la liste.

Utiliser uniquement des tuyaux de gaz appropriés.



Utiliser des bouteilles de gaz de 30 kg avec une puissance thermique de 30 kW. Utiliser des bouteilles de gaz plus grandes pour une puissance thermique élevée.



Utiliser des bouteilles de gaz avec une capacité appropriée pour éviter des problèmes causés par une gazéification partielle du gaz. La pression correcte (consulter la plaque signalétique sur l'appareil) est indiquée sur le régulateur de pression inclus ou sur un modèle similaire.





S'assurer que le tuyau de gaz n'est pas endommagé. Remplacer le tuyau de gaz uniquement par des modèles flexibles et appropriés. Toujours respecter les normes nationales. Ne pas tordre le tuyau flexible.

## 6. Connecter au réseau électrique

Avant de connecter l'appareil au réseau électrique, s'assurer que l'alimentation et la fréquence utilisées correspondent aux spécifications indiquées sur la plaque signalétique. Toujours respecter les normes nationales lors de la connexion au réseau électrique.

Toujours brancher l'appareil sur une prise électrique appropriée avec mise à la terre. Déconnecter l'appareil du réseau électrique avant le nettoyage ou l'entretien.



S'assurer que la prise électrique est mise à la terre.

## 7. Allumer l'appareil

1. Ouvrir la vanne de gaz.
2. Mettre l'interrupteur sur I.
3. Maintenir enfoncé la vanne de gaz. Appuyer plusieurs fois sur le bouton d'ignition.
4. La flamme brûle. Maintenir enfoncé la vanne de gaz pendant 15 secondes pour activer le mécanisme de sécurité.
5. Relâcher la vanne de gaz. La flamme reste allumée.  
Le mécanisme de sécurité éteindra l'appareil en cas de panne. Le mécanisme de sécurité éteindra également l'appareil en cas d'un manque de gaz. Dans les deux cas, suivre les étapes décrites ci-dessus pour allumer à nouveau l'appareil.
6. Régler le débit de gaz.
7. Ne pas maintenir enfoncé le bouton d'ignition trop longtemps. Rechercher la cause du problème si l'appareil ne s'allume pas.

## 8. Contrôler un appareil allumé

Observer la flamme pilote à la sortie de l'appareil. S'assurer que la flamme pilote reste stable dans le brûleur.



Etre prudent en contrôlant la flamme pilote, l'air sortant peut être extrêmement chaud. Maintenir une distance de sécurité.

## 9. Eteindre l'appareil.

1. Fermer la bouteille de gaz.
2. Fermer le régulateur de pression ou déconnecter le de la bouteille de gaz.
3. Laisser refroidir l'appareil pendant 60 secondes après que la flamme pilote se soit éteinte.
4. Mettre l'interrupteur sur O pour éteindre l'appareil.
5. Débrancher l'appareil.
6. Déconnecter le tuyau flexible de l'appareil.

## 10. Utiliser l'appareil à proximité de personnes ou d'animaux

Utiliser l'appareil dans un endroit bien ventilé dont le taux de pollution ne dépasse pas les niveaux autorisés.

Une ventilation suffisante est assurée si le volume de la pièce, en m<sup>3</sup>, est 30 fois la puissance thermique nominale (en kW) de tous les appareils allumés et utilisés dans cette pièce, et si la ventilation passe par des portes, fenêtres ou autres ouvertures qui ont un volume total, en m<sup>3</sup>, de 0.003 fois la puissance thermique nominale (en kW) de tous les appareils allumés et utilisés dans cette pièce.

Ne pas utiliser l'appareil pour chauffer des étables ou d'autres logements d'animaux de manière permanente.

## 11. Utiliser l'appareil à une distance de personnes et d'animaux

Utiliser l'appareil uniquement pour chauffer des pièces si le débit d'air nécessaire peut être assuré.

Le volume d'air est assuré si le volume de la pièce, en m<sup>3</sup>, est 10 fois la puissance thermique nominale (en kW) de tous les appareils allumés et utilisés dans cette pièce.

S'assurer d'un débit d'air normal à travers des portes et fenêtres.

## 12. Ventilation en été

Il est possible d'utiliser cet appareil comme ventilateur. Pour utiliser l'appareil comme ventilateur, déconnecter le de la bouteille de gaz, brancher le sur une prise électrique et mettre l'interrupteur sur I.



Suivre le processus correct et déconnecter l'appareil du réseau électrique s'il est utilisé en mode chauffage. Voir **Eteindre l'appareil**.

## 13. Instructions de nettoyage et d'entretien pour l'utilisateur

Le nettoyage, l'entretien et la réparation des composants dangereux de l'appareil (p. ex. remplacer le câble d'alimentation, réparer le brûleur, etc.) doivent être effectués par le fabricant, le service après-vente ou un technicien qualifié afin d'éviter tout risque, même si l'appareil n'est pas connecté au réseau électrique.

Nettoyer l'appareil après chaque utilisation et avant de le ranger.

Nettoyer régulièrement le brûleur lorsque l'appareil est utilisé dans un environnement poussiéreux.

Contrôler le tuyau de gaz flexible et la connexion au réseau avant d'utiliser l'appareil. En cas de doute sur la qualité du tuyau de gaz, contacter un technicien qualifié.

Ne jamais réparer ni nettoyer un appareil allumé.

Déconnecter l'appareil du réseau électrique avant tout entretien ou nettoyage. Voir **Eteindre l'appareil**.

L'entretien ou le nettoyage de l'appareil n'exige pas d'outils spéciaux. Toujours vérifier s'il y a des fuites de gaz dans le circuit ou les connexions et s'assurer que la pression est correcte avant de nettoyer l'appareil.

L'entretien doit être effectué au moins une fois par an.

Toute réparation doit être effectuée par un technicien qualifié. Ne jamais ouvrir le boîtier de l'appareil !

Déconnecter le tuyau de gaz et ranger l'appareil dans un endroit sec, propre, exempt de poussière et sûr, hors de la portée des enfants.

Toujours fermer d'abord la vanne de la bouteille de gaz lorsque l'appareil n'est pas utilisé.

Cet appareil est à utiliser avec des bouteilles de gaz de Ø 30 cm, H 55 cm.

Utiliser uniquement un tuyau de gaz conforme à la norme EN 16436-1:2014+A1 classe 2 avec un diamètre de min. 6.3 mm et une longueur recommandée de 1.5 m.

Utiliser cet appareil uniquement avec un régulateur conforme à la norme EN 16129 (G31:700 mbar).

**Problèmes et solutions**

problème	cause possible	solution proposée
Le ventilateur ne fonctionne pas.	Pas de tension électrique.	Vérifier la connexion de l'appareil au réseau électrique et le bon fonctionnement du disjoncteur résiduel ou du fusible.
	Le ventilateur est bloqué.	Contacteur un technicien.
	Cordon d'alimentation ou interrupteur on-off endommagé.	Contacteur un technicien.
L'allumeur piézoélectrique ne fonctionne pas.	L'électrode dans une mauvaise position (distance vers le brûleur trop élevée ou réduite).	Contacteur un technicien.
Pas de gaz sur le brûleur.	Soupape à gaz fermée.	Ouvrir la vanne de gaz.
	Bouteille de gaz vide.	Remplacer la bouteille de gaz comme décrit dans le chapitre <b>Connecter et remplacer la bouteille de gaz.</b>
	Mauvaise étanchéité des connexions.	Fermer l'alimentation de gaz immédiatement et contacter un technicien.
Fuite de gaz et/ou odeur de gaz.	Mauvaise étanchéité des connexions.	Fermer l'alimentation de gaz immédiatement et contacter un technicien.
Le brûleur s'allume mais la flamme s'éteint lorsque le bouton de valve de gaz est relâché.	Le thermo-élément n'est pas suffisamment préchauffé.	Rallumer l'appareil et maintenir enfoncé le bouton de la valve de gaz pendant au moins 30 secondes après l'allumage. Contacter un technicien si le problème persiste.
Trop de gaz entrant ou flamme trop grosse.	Régulateur de pression endommagé.	Remplacer le régulateur de pression.
Le brûleur s'éteint.	Alimentation d'air insuffisante.	Vérifier le bon fonctionnement du ventilateur. Assurer une alimentation d'air optimale en écartant tout objet devant et derrière l'appareil. Respecter les distances de sécurité prescrites : - Entrée d'air > 2.5 m - Sortie d'air > 3.5 m - Côtés > 2 m - Au-dessus de l'appareil > 2 m
	L'appareil surchauffe.	Laisser refroidir l'appareil pendant 5 minutes avant de l'allumer. Contacter un technicien si le problème persiste.
	Débit de gaz insuffisant (bouteille vide).	chapitre Connecter et remplacer la bouteille de gaz.

## 14. Instructions de réparation pour le technicien

Le nettoyage, l'entretien et la réparation des composants dangereux de l'appareil doivent être effectués par le fabricant, le service après-vente ou un technicien qualifié afin d'éviter tout risque, même si l'appareil n'est pas connecté au réseau électrique.

Avertissement - N'utiliser que des pièces de rechange d'origine qui sont spécialement conçues pour cet appareil. Ne pas substituer ou utiliser des pièces d'une marque générique. L'utilisation de pièces de rechange impropres peut causer des blessures graves ou mortelles. L'utilisation de pièces de rechange d'origine tombe sous la garantie.

Le technicien doit lire cette notice avant tout remplacement, réparation ou entretien de l'appareil. Contacter le fabricant pour tout support technique, information concernant les pièces de rechange ou toute autre information sur l'appareil de chauffage.

Ne jamais utiliser l'appareil de chauffage de façon non autorisée.

L'entretien, le nettoyage et la réparation de l'appareil n'exigent pas d'outils spéciaux. Toujours vérifier s'il y a des fuites de gaz dans le circuit ou les connexions et s'assurer que la pression est correcte avant tout remplacement ou réparation.

Contrôler le bon fonctionnement de l'appareil de chauffage comme décrit ci-dessous. L'utilisation d'un testeur et d'un spray pour la détection de fuites de gaz est requise.

- Etape 1 - Connecter le testeur au compteur de gaz.  
Connecter un testeur réinitialisé au point de test du compteur de gaz.
- Etape 2 - Ouvrir la vanne de gaz.  
Ouvrir la vanne de gaz sur le compteur jusqu'à une pression d'environ 10 mbar. Refermer la vanne.
- Etape 3 - Observer le testeur.  
Attendre 1 minute et observer le testeur. L'eau dans le tube ne doit pas bouger. Si la pression augmente, la vanne ne retient pas le gaz venant du compteur puisqu'il y a une fuite au niveau de celle-ci. Il faut alors revérifier la vanne. Appliquer un peu de spray de détection de fuites dans la vanne pour localiser la fuite. La fuite produira des petites bulles au niveau de la soupape. Une fois la fuite localisée, faire remplacer ou réparer la soupape par un technicien d'intervention gaz qualifié.
- Etape 4 - Augmenter la pression.  
S'il n'y a pas de fuite, ouvrir doucement la vanne et augmenter la pression jusqu'à 20 mbar. Refermer la vanne.
- Etape 5 - Attendre 1 minute.  
Laisser la température se stabiliser pendant une minute. Le gaz se dilate ou se contracte selon la température dans les conduits. Après 1 minute, réajuster la pression jusqu'à 20 mbar si nécessaire.
- Etape 6 - Observer le testeur.  
Attendre deux minutes et observer le testeur. Pendant ce laps de temps, il n'y a pas de baisse de pression. S'il y a une baisse de pression, refermer la vanne du compteur pour vérifier si la fuite ne se situe pas au niveau du compteur mais au niveau de l'appareil connecté. La pression ne peut pas baisser dans les conduits lorsque la vanne est fermée.
- Etape 7 - Retirer le testeur du point de test.  
Après un test réussi, retirer le testeur et reboucher le point de test sur le compteur.  
Rouvrir la vanne et appliquer du spray de détection sur le point de test et sur tous les conduits vers la vanne pour vérifier l'éventuelle présence de fuites.

Ne jamais laisser l'appareil allumé sans surveillance.

### Problèmes et solutions

problème	cause possible	solution éventuelle
L'allumeur piézoélectrique ne fonctionne pas.	Allumeur piézoélectrique ou électrode endommagé(e).	Vérifier l'allumeur piézoélectrique et les électrodes, et remplacer la pièce défectueuse si nécessaire.
	Mauvaise connexion entre l'électrode et l'allumeur piézoélectrique.	Vérifier la connexion et réparer si nécessaire.

Pas de gaz.	Buse bouchée.	Nettoyer soigneusement la buse à l'air comprimé. Ne jamais utiliser d'aiguilles ou d'autres objets pointus.
	Électrovanne endommagée.	Remplacer l'électrovanne.
Le brûleur s'allume mais la flamme s'éteint lorsque le bouton de valve de gaz est relâché.	Thermocouple et/ou thermo-élément endommagé.	Vérifier le thermocouple et le thermo-élément, et remplacer la pièce défectueuse si nécessaire.

**Pièces de rechange**

Se référer aux illustrations en pages 2 et 3 de ce mode d'emploi.

<b>FT10C + FT15C</b>		
No.	Description	#
<b>1</b>	grille	1
<b>2</b>	manteau extérieur	1
<b>3</b>	poignée	1
<b>4</b>	connexion prise de terre	1
<b>5</b>	coquille intérieure	1
<b>6</b>	support de coquille intérieure	4
<b>7</b>	bec de gaz	1
<b>8</b>	thermo-élément	1
<b>9</b>	thermocouple	1
<b>10</b>	ventilateur	1
<b>11</b>	moteur	1
<b>12</b>	grille d'entrée d'air	1
<b>13</b>	plaque de fixation pour valve	1
<b>14</b>	câble d'alimentation	1
<b>15</b>	collier de serrage	1
<b>16</b>	régulateur	1
<b>17</b>	capuchon de connexion d'entrée	1
<b>18</b>	socle	1
<b>19</b>	filtre de valve	1
<b>20</b>	interrupteur	1
<b>21</b>	double igniteur	1
<b>22</b>	couvercle étanche	1
<b>23</b>	électrovanne	1
<b>23-1</b>	valve de sortie de gaz	1
<b>23-2</b>	électrovanne	1
<b>23-3</b>	tuyau de gaz	1
<b>23-4</b>	buse à gaz	1
<b>24</b>	couvercle de protection étanche	1
<b>25</b>	support de buse	1
<b>26</b>	igniteur	1
<b>27</b>	condensateur	1

<b>FT30C</b>		
No.	Description	#
<b>1</b>	grille	1
<b>2</b>	manteau extérieur	1
<b>3</b>	poignée	1
<b>4</b>	coquille intérieure	1
<b>5</b>	support de coquille intérieure	4
<b>6</b>	connexion prise de terre	1
<b>7</b>	bec de gaz	1
<b>8</b>	thermocouple	1
<b>9</b>	thermo-élément	1
<b>10</b>	igniteur	1
<b>11</b>	ventilateur	1
<b>12</b>	moteur	1
<b>13</b>	grille d'entrée d'air	1
<b>14</b>	lame de combustion	2
<b>15</b>	support de buse	1
<b>16</b>	condensateur	1
<b>17</b>	électrovanne	1
<b>17-1</b>	valve de sortie de gaz	1
<b>17-2</b>	électrovanne	1
<b>17-3</b>	tuyau de gaz	1
<b>17-4</b>	buse à gaz	1
<b>18</b>	câble d'alimentation	1
<b>19</b>	socle	1
<b>20</b>	capuchon de connexion d'entrée	1
<b>21</b>	collier de serrage	1
<b>22</b>	interrupteur	1
<b>23</b>	double igniteur	1
<b>24</b>	couvercle étanche	1
<b>25</b>	couvercle de protection étanche	1
<b>26</b>	régulateur	1

## 15. Spécifications techniques

Produit	Générateur d'air chaud portable à chauffage direct et à convection forcée utilisant les combustibles gazeux (A3)
Marque	Perel
Modèle	FT10CN
Catégorie d'appareil	I <sub>3P</sub>
Type de gaz	G31 (propane)
Pays de destination	BE, FR, GB, IE, NL
Pression d'alimentation (mbar)	700
Puissance nominale (kW)	10
Consommation de gaz (kg/h)	0,73
Entrée électrique	220-240 V~, 50 Hz, 304 mA, 70 W
indice IP	IPX4
Classification de la température de débit d'air	Appareils de chauffage des locaux

Produit	Générateur d'air chaud portable à chauffage direct et à convection forcée utilisant les combustibles gazeux (A3)
Marque	Perel
Modèle	FT15CN
Catégorie d'appareil	I <sub>3P</sub>
Type de gaz	G31 (propane)
Pays de destination	BE, FR, GB, IE, NL
Pression d'alimentation (mbar)	700
Puissance nominale (kW)	15
Consommation de gaz (kg/h)	1,09
Entrée électrique	220-240 V~, 50 Hz, 304 mA, 70 W
indice IP	IPX4
Classification de la température de débit d'air	Appareils de chauffage des locaux

Produit	Générateur d'air chaud portable à chauffage direct et à convection forcée utilisant les combustibles gazeux (A3)
Marque	Perel
Modèle	FT30CN
Catégorie d'appareil	I <sub>3P</sub>
Type de gaz	G31 (propane)
Pays de destination	BE, FR, GB, IE, NL
Pression d'alimentation (mbar)	700
Puissance nominale (kW)	30
Consommation de gaz (kg/h)	2,18
Entrée électrique	220-240 V~, 50 Hz, 304 mA, 70 W
indice IP	IPX4
Classification de la température de débit d'air	Appareils de chauffage des locaux

**N'employer cet appareil qu'avec des accessoires d'origine. Velleman SA ne peut, dans la mesure conforme au droit applicable être tenue responsable des dommages ou lésions (directs ou indirects) pouvant résulter de l'utilisation de cet appareil. Pour plus d'informations concernant cet article et la dernière version de ce mode d'emploi, visiter notre site web [www.perel.eu](http://www.perel.eu). Les spécifications et le contenu de ce mode d'emploi peuvent être modifiés sans notification préalable.**

### © DROITS D'AUTEUR

**Velleman SA est l'ayant droit des droits d'auteur de ce mode d'emploi. Tous droits mondiaux réservés.** Toute reproduction, traduction, copie ou diffusion, intégrale ou partielle, du contenu de ce mode d'emploi par quelque procédé ou sur tout support électronique que ce soit est interdite sans l'accord préalable écrit de l'ayant droit.

# BEDIENUNGSANLEITUNG

## 1. Einführung

### An alle Einwohner der Europäischen Union

#### Wichtige Umweltinformationen über dieses Produkt

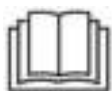


Dieses Symbol auf dem Produkt oder der Verpackung zeigt an, dass die Entsorgung dieses Produktes nach seinem Lebenszyklus der Umwelt Schaden zufügen kann. Entsorgen Sie die Einheit (oder verwendeten Batterien) nicht als unsortierter Hausmüll; die Einheit oder verwendeten Batterien müssen von einer spezialisierten Firma zwecks Recycling entsorgt werden. Diese Einheit muss an den Händler oder ein örtliches Recycling-Unternehmen retourniert werden. Respektieren Sie die örtlichen Umweltvorschriften.

**Falls Zweifel bestehen, wenden Sie sich für Entsorgungsrichtlinien an Ihre örtliche Behörde.**

Vielen Dank, dass Sie sich für Perel entschieden haben! Lesen Sie diese Bedienungsanleitung vor Inbetriebnahme sorgfältig durch. Überprüfen Sie, ob Transportschäden vorliegen. Sollte dies der Fall sein, verwenden Sie das Gerät nicht und wenden Sie sich an Ihren Händler.

## 2. Sicherheitshinweise



Lesen und begreifen Sie diese Bedienungsanleitung und die Sicherheitshinweise vor Inbetriebnahme.



Installieren Sie das Gerät in Übereinstimmung mit den geltenden nationalen Vorschriften und entsprechend dieser Bedienungsanleitung.



Benutzen Sie das Gerät nicht für die Beheizung von bewohnbaren Räumen in Wohngebäuden. Für die Verwendung in öffentlichen Gebäuden sind die nationalen Vorschriften zu beachten.



Dieses Gerät ist nicht dafür bestimmt, durch Personen (einschließlich Kinder) mit eingeschränkten physischen, sensorischen oder geistigen Fähigkeiten oder ohne Erfahrung und Wissen benutzt zu werden, es sei denn, sie werden durch eine für ihre Sicherheit zuständige Person beaufsichtigt oder erhalten von ihr Anweisungen, wie das Gerät zu benutzen ist. Halten Sie Tiere vom Gerät fern.



Eine unsachgemäße Anwendung des Gerätes kann zu Schäden, schweren Verletzungen und sogar zum Tod durch Verbrennungen, Explosion, Stromschläge, Vergiftung usw. führen. Die ersten Anzeichen einer Kohlenmonoxidvergiftung ähneln grippeähnlichen Symptomen: Kopfschmerzen, Schwindelgefühl und/oder Übelkeit. Haben Sie diese Symptome, dann ist es möglich, dass das Gerät nicht korrekt funktioniert. **Falls Sie diese Symptome haben, gehen Sie dann sofort an die frische Luft und lassen Sie das Gerät durch einen qualifizierten Service überprüfen. Lassen Sie das Gerät von einem Fachmann reparieren.**



Reinigungs-, Wartungs- und Reparaturarbeiten (z.B. ein beschädigtes Netzkabel austauschen, den Brenner reparieren) dürfen nur von qualifiziertem Fachpersonal, vom Fabrikanten oder Kundendienstservice durchgeführt werden, um alle Risiken zu vermeiden, auch wenn das Gerät vom Netz getrennt ist.



Velleman NV übernimmt keine Haftung für Schäden oder Verletzungen, verursacht durch falsche Anwendung des Gerätes.

- Benutzen Sie das Gerät ausschließlich mit dem auf dem Typenschild angegebenen Brennstoff, Strom und Frequenz.
- Achten Sie für den Heizbetrieb auf eine ausreichende Belüftung. Betreiben Sie das Gerät nur in gut belüfteten Räumen oder im Freien. Installieren Sie das Gerät in Übereinstimmung mit den geltenden nationalen Vorschriften und Normen bezüglich Unfällen- und Brandschutz.
- Achten Sie für den Heizbetrieb auf eine ausreichende Belüftung. Betreiben Sie das Gerät nur in gut belüfteten Räumen oder im Freien. Eine gute Lüftung ist gewährleistet wenn die Raumgröße mit 1 m<sup>3</sup> pro 100 W-Leistung übereinstimmt. Die Mindestraumgröße darf

100 m<sup>3</sup> nicht unterschreiten. Es sind Be- und Entlüftungsöffnungen von mindestens 25 cm<sup>2</sup> pro kW für eine Oberfläche von min. 250 cm<sup>2</sup> vorzusehen.

- Benutzen Sie das Gerät nur als Gaskanone oder Ventilator und befolgen Sie alle Hinweise in der Bedienungsanleitung.
- Bei Gasgeruch, handelt es sich wahrscheinlich um ein Leck. Schalten Sie das Gerät sofort ab: Schließen Sie den Druckregler, trennen Sie das Gerät vom Netz und wenden Sie sich an Ihrem Händler.
- Benutzen oder lagern Sie das Gerät so, dass die Schlauchleitung nicht beschädigt, geknickt, verdreht wird oder unter Spannung steht.
- Stellen Sie die Gasflasche an einem gut geschützten Ort. Stellen Sie diese niemals vor dem Gerät, aber immer dahinter. **Richten Sie, das Gerät niemals auf die Gasflasche.**
- Führen Sie keine Gegenstände in die Geräteöffnungen ein.
- Stecken Sie den Netzstecker in eine ordnungsgemäß geerdete Netzsteckdose.
- Blockieren Sie niemals die Luftzufuhr (Rückseite) und/oder den Luftauslass (Vorderseite). Benutzen Sie keine zusätzlichen Leitungen, um die Luft vom oder zum Gerät zu kanalisieren.
- Halten Sie einen Sicherheitsabstand von mindestens 2 m zu Wänden und anderen Gegenständen ein.
- Betreiben Sie das Gerät nicht auf einem leicht brennbaren Untergrund.
- Um Brandgefahr zu vermeiden, stellen Sie das Gerät auf einem ebenen, stabilen und hitzebeständigen Untergrund auf.
- Betreiben Sie das Gerät nicht in Räumen, in denen explosive Stoffe, gashaltiger Rauch, flüssige Brennstoffe oder leicht entzündliche Materialien (Stoffe, Papier, Holz, Brennstoffe usw.) anwesend sind.
- Benutzen Sie einen feuerbeständigen Schutz wenn Sie das Gerät in der Nähe von Treppen, Vorhängen und anderen entflammaren Materialien benutzen. Halten Sie einen Sicherheitsabstand von mindestens 2.5 m zu leicht entflammaren Materialien (Holz, Papier, Brennstoff usw.), hitzeempfindlichen Gegenständen (z.B. Netzkabel) oder heißen Geräteteilen.
- Lassen Sie die Wartungs- und internen Reinigungsarbeiten von einer qualifizierten Servicewerkstatt durchführen.
- Kann das Gerät nicht in einem sicheren Zustand unbeaufsichtigt gelassen werden, dann schalten Sie es ab.
- Schaltet das Gerät nicht ein oder gibt es Probleme beim Einschalten, so trennen Sie es sofort vom Netz und von der Gasflasche. Überprüfen Sie den Luftstrom zum Gerät und stellen Sie sicher, dass es genügend Luftstrom gibt, bevor Sie das Gerät wieder einschalten.
- Transportieren, handhaben oder reinigen Sie niemals das Gerät während des Betriebs.
- Ersetzen Sie den Schlauch nur durch einen des gleichen Typs der für die Druckregelung geeignet ist. Siehe die nationalen Vorschriften. Der Gasschlauch muss 1.5 m lang sein. Quetschen oder biegen Sie den Gasschlauch nicht.
- Verwenden Sie den Gasschlauch nicht, um die warme Luft zu kanalisieren.
- Bei längerem Nichtgebrauch, trennen Sie das Gerät vom Netz, schließen Sie den Druckregler, trennen Sie den Schlauch vom Gerät und blockieren Sie die Gaszufuhr.
- Lassen Sie das Gerät einmal jährlich von einem qualifizierten Fachmann warten.
- Verwenden Sie das Gerät nicht in Kellern oder in Räumen, die unterhalb des Erdniveaus liegen.
- Das Gerät darf nur mit dem beiliegenden Schlauch und Regler benutzt werden. Ersetzen Sie einen beschädigten Schlauch oder Regler, durch einen des gleichen Typs (Bestell-Nr.: FT11). Ersatzregler und -Schläuche sind beim Hersteller erhältlich.
- VERWENDEN SIE DAS GERÄT NICHT ZUM HEIZEN VON WOHNRÄUMEN. BEACHTEN SIE DIE NATIONAL EN VORSCHRIFTEN BEI DER VERWENDUNG IN ÖFFENTLICHEN GEBÄUDEN.



### 3. Achtung



Erstickungsgefahr

- Das Gerät darf nur in gut belüfteten Räumen verwendet werden. Eine mangelnde Belüftung könnte zur schlechten Verbrennung führen. Eine schlechte Verbrennung kann zu Verletzungen und sogar zum Tod durch Kohlenmonoxidvergiftung führen. Die Symptome einer Kohlenmonoxidvergiftung sind: Kopfschmerzen, Schwindel, Atemnot, Sehstörungen, Übelkeit usw.
- Blockieren Sie weder die Vorderseite noch die Rückseite des Gerätes.



**GASGERUCH** Dem Gas wird ein zusätzlicher Geruch hinzugefügt, der austretendes Gas schnell bemerkbar macht. Bei einer undichten Gasleitung werden Sie diesen Geruch wahrnehmen. Da Flüssiggas (LPG) schwerer als Luft ist, sammelt sich ausströmendes Gas am Boden. Bei Wahrnehmung von Gasgeruch sollten Sie Ruhe bewahren und die folgenden Schritte befolgen.

- Tun Sie nichts, dass das in der Luft hängende Gas entzünden kann. Betätigen Sie keine Elektroschalter. Ziehen Sie keine Stecker aus der Steckdose. Vermeiden Sie Feuer und alles was Funken erzeugen kann. Benutzen Sie kein Telefon oder Handy.
- Beachten Sie, dass alle Bewohner das Gebäude schnellstmöglich verlassen.
- Schließen Sie alle Absperreinrichtungen der Gasleitungen sofort.
- Verlassen Sie den Gefahrenbereich oder das Gebäude und rufen Sie den Bereitschaftsdienst des Gasnetzbetreibers und die Feuerwehr an. Warten Sie das Eintreffen des Bereitschaftsdienstes und der Feuerwehr an einem sicheren Ort ab.
- Lassen Sie den Bereitschaftsdienst und die Feuerwehr den Gefahrenbereich kontrollieren.

### 4. Allgemeine Richtlinien

Siehe Velleman® Service- und Qualitätsgarantie am Ende dieser Bedienungsanleitung.

### 5. Die Gasflasche anschließen und austauschen

Tauschen Sie die Gasflasche im Freien, entfernt von offenen Flammen oder anderen Wärmequellen aus.

Verwenden Sie nur die folgenden Zubehörteile, um die Gasflasche anzuschließen:

- 1 flexibler Schlauch für Flüssiggas (mitgeliefert)
- 1 Druckregler für Flüssiggas (mitgeliefert)

#### Anschluss

1. Verbinden Sie den Gasschlauch mit dem Gerät. Forcieren Sie nicht.
2. Installieren Sie den Druckregler und die Gasflasche.
3. Überprüfen Sie, ob der Anschluss des Druckreglers (gemäß der verwendeten Gasflasche) korrekt abgedichtet ist.
4. Öffnen Sie das Ventil der Gasflasche oder den Druckregler wenn die Gasflasche nicht über ein Ventil verfügt.
5. Überprüfen Sie mit einer Seifenlauge, ob der Anschluss korrekt abgedichtet ist: Seifenblasen können ein Gasleck anzeigen. **Testen Sie ein Gasleck niemals mit einer offenen Flamme.**

Die Anschlüsse können ein Linksgewinde haben. Drehen Sie deshalb gegen den Uhrzeigersinn Überprüfen Sie, ob es eine Klemme zwischen dem Druckregler und der Gasflasche gibt. Verbinden Sie verschiedene Gasflaschen miteinander, um die Autonomie zu erhöhen.

Regeln Sie den Druck (siehe Liste mit technischen Daten) mit dem Druckregler.  
Verwenden Sie nur die zertifizierten Gasschläuche.



Verwenden Sie Gasflaschen von 30 kg mit einer Wärmeleistung von 30 kW. Benutzen Sie größere Gasflaschen für mehr Wärmeleistung.



Verwenden Sie Gasflaschen mit einer geeigneten Kapazität, um Probleme durch teilweise Vergasung zu vermeiden. Der mitgelieferte Druckregler oder ein ähnliches Modell zeigt den korrekten Druck (siehe Typenschild auf dem Gerät) an.



Stellen Sie sicher, dass der Gasschlauch nicht beschädigt ist. Verwenden Sie nur geeignete, flexible Gasschläuche. Respektieren Sie immer die lokalen Vorschriften. Quetschen Sie den flexiblen Schlauch nicht.

## 6. Anschluss an das Netz

Überprüfen Sie bevor Sie das Gerät mit dem Netz verbinden, ob die Stromversorgung und die Frequenz mit den technischen Daten auf dem Typenschild übereinstimmen. Respektieren Sie immer die lokalen Vorschriften wenn Sie das Gerät mit dem Netz verbinden.

Verbinden Sie das Gerät immer mit einer geerdeten Steckdose.

Trennen Sie das Gerät vor Reinigungs- oder Wartungsarbeiten vom Netz.



Stellen Sie sicher, dass die Steckdose geerdet ist.

## 7. Das Gerät anzünden

1. Öffnen Sie den Gashahn.
2. Stellen Sie den Schalter auf I.
3. Drücken Sie das Gasventil vollständig und halten Sie es gedrückt. Drücken Sie den Zünder verschiedene Male.
4. Die Flamme brennt. Halten Sie das Gasventil während 15 Sekunden gedrückt, um das Sicherungsmechanismus zu aktivieren.
5. Lassen Sie das Gasventil los. Die Flamme bleibt brennen.  
Der Sicherungsmechanismus wird das Gerät bei Stromausfall automatisch ausschalten. Der Sicherungsmechanismus wird das Gerät auch bei einem Mangel an Gas ausschalten. In beiden Fällen, befolgen Sie die oben erwähnten Schritte, um das Gerät wieder einzuschalten.
6. Regeln Sie die Gaszufuhr.
7. Drücken Sie den Zünder nicht zu lange. Suchen Sie das Problem, wenn sich das Heizgerät nicht einschalten lässt.

## 8. Das Heizgerät überprüfen

Überprüfen Sie die Zündflamme. Überprüfen Sie, ob die Zündflamme kontinuierlich brennt.



Seien Sie vorsichtig, denn die Luft, die aus dem Gerät austritt, kann extrem heiß sein. Halten Sie einen sicheren Abstand.

## 9. Das Heizgerät abschalten

1. Schließen Sie die Gasflasche.
2. Schließen Sie den Druckregler oder trennen Sie diesen von der Gasflasche.
3. Lassen Sie das Heizgerät mindestens 60 Sekunden abkühlen.
4. Schalten Sie das Heizgerät aus, indem Sie den Schalter auf 0 stellen.
5. Trennen Sie das Gerät vom Netz, indem Sie den Stecker aus die Steckdose ziehen.
6. Trennen Sie den flexiblen Schlauch vom Gerät.

## 10. Das Heizgerät in der Nähe von Personen und Tieren verwenden

Benutzen Sie das Gerät in einem gut belüfteten Raum, wo die Schadstoffwerte die erlaubten Werte nicht überschreiten.

Genügend Ventilation wird gewährleistet, wenn die Mindestraumgröße, in m<sup>3</sup>, 30 Mal die Nennwärmeleistung (in kW) aller eingeschalteten Geräte verwendet in diesem Raum beträgt, und, wenn es eine Be- und Entlüftung via die Türe, Fenster und andere Öffnungen, mit einer min. Gesamtgrößen, in m<sup>3</sup>, von 0.003 Mal die Nennwärmeleistung (in kW) aller eingeschalteten Geräten verwendet in diesem Raum gibt.

Das Gerät eignet sich nicht zum ständig Beheizen von Ställen oder einer anderen Tierunterkunft.

## 11. Das Heizgerät fern von Personen und Tieren verwenden

Das Gerät eignet sich nur zum Beheizen von Räumen wo eine gute Be- und Entlüftung gewährleistet ist.

Die notwendige Luftmenge ist gewährleistet, wenn die Mindestraumgröße, in m<sup>3</sup>, 10 Mal die Nennwärmeleistung (in kW) aller eingeschalteten Geräte verwendet in diesem Raum beträgt.

Ein normaler Luftstrom via Türe und Fenster muss gewährleistet sein.

## 12. Ventilation im Sommer

Das Gerät kann auch als Ventilator verwendet werden. Um das Gerät als Ventilator zu verwenden, trenne Sie es von der Gasflasche und stellen Sie den Schalter auf I.



Befolgen Sie das richtige Verfahren und trennen Sie das Gerät vom Netz wenn Sie es zuvor im Heizmodus verwendet haben. Siehe **Das Gerät abschalten**.

## 13. Reinigungs- und Wartungshinweise für den Benutzer

Reinigungsarbeiten (z.B. ein beschädigtes Netzkabel austauschen, den Brenner reparieren) dürfen nur von qualifiziertem Fachpersonal, vom Fabrikanten oder Kundendienstservice durchgeführt werden, um alle Risiken zu vermeiden, auch wenn das Gerät vom Netz getrennt ist.

Reinigen Sie das Gerät nach jedem Gebrauch und bevor Sie es lagern.

Reinigen Sie den Brenner regelmäßig, wenn Sie das Gerät in einer staubigen Umgebung verwenden.

Überprüfen Sie vor Gebrauch den flexiblen Schlauch und den Stecker. Setzen Sie sich mit einem Fachmann in Verbindung, wenn Sie über die Qualität des Schlauchs zweifeln.

Reinigen Sie niemals ein eingeschaltetes Gerät.

Trennen Sie das Gerät bevor Sie Reinigungsarbeiten durchführen immer vom Netz. Siehe **Das Gerät abschalten**.

Sie benötigen keine speziellen Geräte, um das Gerät zu reinigen. Überprüfen Sie immer, ob es ein Gasleck gibt und vergewissern Sie sich nach Reinigung davon, dass der Druck korrekt ist.

Mindestens ein Mal im Jahr sollte die Wartung des Gerätes durchgeführt werden.

Reparaturarbeiten dürfen ausschließlich von einem Fachmann durchgeführt werden. Öffnen Sie niemals das Gerät.

Entfernen Sie den Gasschlauch und bewahren Sie das Gerät an einem trockenen, sauberen, staubfreien und sichern Ort, außer Reichweite von Kindern, auf.

Schließen Sie immer zuerst den Ventil, wenn Sie das Gerät nicht verwenden.

Verwenden Sie das Gerät mit Zylindern von ± Ø 30 cm, H 55 cm.

Verwenden Sie ausschließlich einen Gasschlauch EN 16436-1:2014+A1 Klasse 2 mit einem Durchmesser von min. 6.3 mm und eine empfohlene Länge von 1.5 m.

Benutzen Sie nur einen Druckregler, der den Norm EN 16129 entspricht (G31:700 mbar).

**Problemlösung**

<b>Problem</b>	<b>Mögliche Ursache</b>	<b>Lösung</b>
Der Ventilator funktioniert nicht.	Keine Spannung.	Prüfen Sie, ob der Netzstecker richtig eingesteckt ist, und überprüfen Sie den FI-Schutzschalter und die Sicherung.
	Der Ventilator ist blockiert.	Wenden Sie sich an einen Techniker.
	Das Kabel oder der Schalter ist beschädigt.	Wenden Sie sich an einen Techniker.
Die Piezozündung funktioniert nicht.	Die Elektrode befindet sich in falscher Stellung (Abstand zum Brenner ist zu groß oder zu klein).	Wenden Sie sich an einen Techniker.
Kein Gas am Brenner.	Der Gashahn ist geschlossen.	Öffnen Sie den Gashahn.
	Die Gasflasche ist leer.	Tauschen Sie die Gasflasche, wie in Kapitel Die Gasflasche anschließen und austauschen beschrieben, aus.
	Die Gasverbindungen sind undicht.	Schneiden Sie die Gaszufuhr sofort ab und kontaktieren Sie einen Techniker.
Gasleck und/oder Gasgeruch.	Die Gasverbindungen sind undicht.	Schneiden Sie die Gaszufuhr sofort ab und kontaktieren Sie einen Techniker.
Der Brenner springt an, geht aber bei Loslassen des Gasventil-Knopfes wieder aus.	Das Thermoelement wurde nicht genügend erhitzt oder ist beschädigt.	Wiederholen Sie den Zündvorgang. Achten Sie darauf, dass der Gasventil-Knopf für maximal 30 Sekunden nach dem Anzünden gedrückt bleibt. Wenden Sie sich an einen Techniker, wenn die Probleme sich wiederholen.
Zu hoher Gaseintritt bzw. zu große Flamme.	Der Druckregler ist defekt.	Tauschen Sie den Druckregler aus.

Der Brenner fällt während der Arbeit aus.	Die Lüftung ist ungenügend.	Überprüfen Sie, ob der Ventilator einwandfrei funktioniert. Sorgen Sie für eine optimale Luftzirkulation, indem Sie eventuell Blockaden des Luftein- und -Austritts beheben. Halten Sie die vorgeschriebenen Sicherheitsabstände ein. - Ansaugseite > 2.5 m - Ausblasseite > 3.5 m - Seitlich > 2 m - Nach oben > 2 m
	Das Gerät ist überhitzt.	Lassen Sie es 5 Minuten abkühlen bevor Sie es einschalten. Wenden Sie sich an einen Techniker, wenn die Probleme sich wiederholen.
	Die Gaszufuhr ist zu gering (Gasflasche leer).	Die Gasflasche anschließen und austauschen.

## 14. Reparaturhinweise für den Techniker

Alle Reinigungs-, Wartungs- und Reparaturarbeiten an gefährlichen Teilen dürfen ausschließlich von qualifiziertem Fachpersonal, vom Fabrikanten oder Kundendienstservice durchgeführt werden, um alle Risiken zu vermeiden, auch wenn das Gerät vom Netz getrennt ist.

Achtung - Verwenden Sie ausschließlich Originalteile. Verwenden Sie ausschließlich konstruktionsspezifische Ersatzteile. Verwenden Sie niemals generische Teile. Falsche Ersatzteile können zu schweren oder tödlichen Verletzungen führen. Nur bei Verwendung von Originalteilen läuft die Garantie.

Der Fachmann muss diese Bedienungsanleitung vor dem Anfang der Service-Arbeiten unbedingt lesen. Wenden Sie sich für technische Hilfe, Informationen über Ersatzteile oder andere Informationen über das Gerät an den Hersteller.

Verwenden Sie das Gerät nur für den angegebenen Zweck.

Für den Austausch von Teilen, die Service- und Reparaturarbeiten sind keine speziellen Werkzeuge erforderlich. Überprüfen Sie immer, ob es ein Gasleck gibt und vergewissern Sie sich nach Reinigung, Austausch oder Reparatur davon, dass der Druck korrekt ist.

Führen Sie eine Dichtheitsprüfung durch wie folgt. Hierfür benötigen Sie ein Druckmessgerät (Leckmengenmessgerät) und ein Leckspray.

- Schritt 1 - Verbinden Sie das Druckmessgerät mit dem Gaszähler.  
Verbinden Sie ein auf Null eingestelltes Druckmessgerät mit dem Testpunkt des Gaszählers.
- Schritt 2 - Öffnen Sie den Gashahn.  
Öffnen Sie den Gashahn des Gaszählers bis der Druck ungefähr 10 mbar beträgt. Schließen Sie danach den Gashahn.
- Schritt 3 - Beachten Sie das Druckmessgerät.  
Überprüfen Sie das Druckmessgerät nach einer Minute. Das Wasser in der Leitung darf sich nicht sichtbar bewegen. Erhöht der Druck, dann schließt das Ventil nicht vollständig. Es gibt eine Undichtheit. Überprüfen Sie das Ventil. Besprühen Sie das Ventil mit Leckspray. Dort, wo sich Blasen bilden, liegt eine Undichtheit vor. Sollte eine Undichtheit vorliegen, muss das Ventil ausgetauscht werden. Wenden Sie sich in diesem Fall an einem qualifizierten Gastechner.
- Schritt 4 - Erhöhen Sie den Druck.  
Liegt keine Undichtheit vor, so öffnen Sie den Hahn vorsichtig und lassen Sie den Druck bis 20 mbar steigen. Schließen Sie danach den Hahn. Schließen Sie danach den Gashahn.
- Schritt 5 - Warten Sie noch eine Minute.  
Lassen Sie die Temperatur während einer Minute stabilisieren. Während dieser Periode dehnt das Gas sich aus oder zieht es sich zusammen, und passt es sich an der Temperatur innerhalb der Leitung an. Nach einer Minute können Sie ggf. den Druck wieder anpassen (20 mbar).

Schritt 6 - Beachten Sie das Druckmessgerät.

Überprüfen Sie das Druckmessgerät während zwei Minuten. Der Druck darf nun nicht mehr sinken. Sinkt der Druck, schließen Sie dann die Absperrventile am Messgerät, um zu bestätigen, dass das Messgerät nicht leckt und das Sinken des Drucks durch das angeschlossene Gerät verursacht wird. Der Druck in der Leitung darf nicht sinken, wenn die Absperrventile geschlossen sind.

Schritt 7 - Entfernen Sie das Druckmessgerät und versiegeln Sie den Testpunkt erneut.

Bei einem sicheren Test, entfernen Sie das Druckmessgerät und versiegeln Sie den Testpunkt am Gaszähler erneut.

Führen Sie eine zusätzliche Prüfung durch, indem Sie den Hahn öffnen und den Testpunkt und alle Gasleitungen zum Ventil mit Leckspray besprühen.

Lassen Sie das Gerät niemals unbeaufsichtigt funktionieren.

**Problemlösung**

<b>Problem</b>	<b>Mögliche Ursache</b>	<b>Lösung</b>
Die Piezozündung funktioniert nicht.	Die Piezozündung oder die Elektrode ist beschädigt.	Überprüfen Sie die Piezozündung und die Elektrode. Ersetzen Sie ggf. den beschädigten Teil.
	Keine oder lockere Verbindung zwischen Elektrode und Piezozündung.	Überprüfen Sie den Anschluss und reparieren Sie bei Bedarf.
Kein Gas.	Die Düse ist verstopft.	Reinigen Sie die Düse vorsichtig mit Druckluft. Verwenden Sie auf keinen Fall eine Nadel oder ähnliche Werkzeuge.
	Das Magnetventil ist beschädigt.	Tauschen Sie das Magnetventil aus.
Der Brenner springt an, geht aber bei Loslassen des Gasventil-Knopfes wieder aus.	Der Thermoalter und/oder das Thermoelement ist beschädigt.	Überprüfen Sie den Thermoalter und das Thermoelement, und tauschen Sie die defekten Teile ggf. aus.

**Ersatzteile**

Siehe Abbildungen, Seite 2 und 3 dieser Bedienungsanleitung.

<b>FT10C + FT15C</b>		
Nr.	Beschreibung	#
<b>1</b>	vorderes Schutzgitter	1
<b>2</b>	Außengehäuse	1
<b>3</b>	Handgriff	1
<b>4</b>	Erdungsanschlüsse	1
<b>5</b>	Innengehäuse	1
<b>6</b>	Abstandshalter	4
<b>7</b>	Brennereinheit	1
<b>8</b>	Thermoschalter	1
<b>9</b>	Thermoelement	1
<b>10</b>	Ventilator	1
<b>11</b>	Motorgehäuse	1
<b>12</b>	Gitter (Lufteintritt)	1
<b>13</b>	Halteschiene Gasventil	1
<b>14</b>	Netzkabel	1
<b>15</b>	Kabelzugentlastung	1
<b>16</b>	Druckregler	1

<b>FT30C</b>		
Nr.	Beschreibung	#
<b>1</b>	vorderes Schutzgitter	1
<b>2</b>	Außengehäuse	1
<b>3</b>	Handgriff	1
<b>4</b>	Innengehäuse	1
<b>5</b>	Abstandshalter	4
<b>6</b>	Erdungsanschlüsse	1
<b>7</b>	Brennereinheit	1
<b>8</b>	Thermoelement	1
<b>9</b>	Thermoschalter	1
<b>10</b>	Lüfterrad	1
<b>11</b>	Lüfter	1
<b>12</b>	Motorgehäuse	1
<b>13</b>	Gitter (Lufteintritt)	1
<b>14</b>	Klinge	2
<b>15</b>	Halterung (Düse)	1
<b>16</b>	Kondensator	1

<b>17</b>	Schutzabdeckung Gasanschluss	1
<b>18</b>	Steuerungskasten	1
<b>19</b>	Gasventil auslöser	1
<b>20</b>	Schalter	1
<b>21</b>	Piezozünder	1
<b>22</b>	wasserdichte Abdeckung	1
<b>23</b>	Magnetventil	1
<b>23-1</b>	Gasventil	1
<b>23-2</b>	Magnetventil	1
<b>23-3</b>	Gasrohr	1
<b>23-4</b>	Gasdüse	1
<b>24</b>	wasserdichte Schutzkappe	1
<b>25</b>	Halterung (Düse)	1
<b>26</b>	Lüfterrad	1
<b>27</b>	Kondensator	1

<b>17</b>	Magnetventil	1
<b>17-1</b>	Gasventil	1
<b>17-2</b>	Magnetventil	1
<b>17-3</b>	Gasrohr	1
<b>17-4</b>	Gasdüse	1
<b>18</b>	Netzkabel	1
<b>19</b>	Steuerungskasten	1
<b>20</b>	Schutzabdeckung Gasanschluss	1
<b>21</b>	Kabelzugentlastung	1
<b>22</b>	Schalter	1
<b>23</b>	Piezozünder	1
<b>24</b>	wasserdichte Abdeckung	1
<b>25</b>	wasserdichte Schutzkappe	1
<b>26</b>	Druckregler	1

## 15. Technische Daten

Produkt	Direkt gasbefeuerte Konvektionswarmlufterzeuger (A3)
Marke	Perel
Modell-Nummer	FT10CN
Gaskategorie	I <sub>3P</sub>
Gasart	G31 (Propan)
Bestimmungsland	BE, FR, GB, IE, NL
Betriebsdruck (mbar)	700
Nennleistung (kW)	10
Gasverbrauch (kg/h)	0,73
Netzanschluss	220-240 V~, 50 Hz, 304 mA, 70 W
IP-Schutzart	IPX4
Lufttemperaturklasse	Raumheizer

Produkt	Direkt gasbefeuerte Konvektionswarmlufterzeuger (A3)
Marke	Perel
Modell-Nummer	FT15CN
Gaskategorie	I <sub>3P</sub>
Gasart	G31 (Propan)
Bestimmungsland	BE, FR, GB, IE, NL
Betriebsdruck (mbar)	700
Nennleistung (kW)	15
Gasverbrauch (kg/h)	1,09
Netzanschluss	220-240 V~, 50 Hz, 304 mA, 70 W
IP-Schutzart	IPX4
Lufttemperaturklasse	Raumheizer

Produkt	Direkt gasbefeuerte Konvektionswarmlufterzeuger (A3)
Marke	Perel
Modell-Nummer	FT30CN
Gaskategorie	I <sub>3P</sub>
Gasart	G31 (Propan)
Bestimmungsland	BE, FR, GB, IE, NL
Betriebsdruck (mbar)	700
Nennleistung (kW)	30
Gasverbrauch (kg/h)	2,18
Netzanschluss	220-240 V~, 50 Hz, 304 mA, 70 W
IP-Schutzart	IPX4
Lufttemperaturklasse	Raumheizer

**Verwenden Sie dieses Gerät nur mit originellen Zubehöerteilen. Velleman NV übernimmt keine Haftung für Schaden oder Verletzungen bei (falscher) Anwendung dieses Gerätes. Für mehr Informationen zu diesem Produkt und die neueste Version dieser Bedienungsanleitung, siehe [www.perel.eu](http://www.perel.eu). Alle Änderungen ohne vorherige Ankündigung vorbehalten.**

**© URHEBERRECHT**

**Velleman NV besitzt das Urheberrecht für diese Bedienungsanleitung. Alle weltweiten Rechte vorbehalten.** Ohne vorherige schriftliche Genehmigung des Urhebers ist es nicht gestattet, diese Bedienungsanleitung ganz oder in Teilen zu reproduzieren, zu kopieren, zu übersetzen, zu bearbeiten oder zu speichern.



**EN****Velleman® Service and Quality Warranty**

Since its foundation in 1972, Velleman® acquired extensive experience in the electronics world and currently distributes its products in over 85 countries.

All our products fulfil strict quality requirements and legal stipulations in the EU. In order to ensure the quality, our products regularly go through an extra quality check, both by an internal quality department and by specialized external organisations. If, all precautionary measures notwithstanding, problems should occur, please make appeal to our warranty (see guarantee conditions).

**General Warranty Conditions Concerning Consumer Products (for EU):**

- All consumer products are subject to a 24-month warranty on production flaws and defective material as from the original date of purchase.
- Velleman® can decide to replace an article with an equivalent article, or to refund the retail value totally or partially when the complaint is valid and a free repair or replacement of the article is impossible, or if the expenses are out of proportion.

You will be delivered a replacing article or a refund at the value of 100% of the purchase price in case of a flaw occurred in the first year after the date of purchase and delivery, or a replacing article at 50% of the purchase price or a refund at the value of 50% of the retail value in case of a flaw occurred in the second year after the date of purchase and delivery.

**• Not covered by warranty:**

- all direct or indirect damage caused after delivery to the article (e.g. by oxidation, shocks, falls, dust, dirt, humidity...), and by the article, as well as its contents (e.g. data loss), compensation for loss of profits;
- consumable goods, parts or accessories that are subject to an aging process during normal use, such as batteries (rechargeable, non-rechargeable, built-in or replaceable), lamps, rubber parts, drive belts... (unlimited list);
- flaws resulting from fire, water damage, lightning, accident, natural disaster, etc....;
- flaws caused deliberately, negligently or resulting from improper handling, negligent maintenance, abusive use or use contrary to the manufacturer's instructions;
- damage caused by a commercial, professional or collective use of the article (the warranty validity will be reduced to six (6) months when the article is used professionally);
- damage resulting from an inappropriate packing and shipping of the article;
- all damage caused by modification, repair or alteration performed by a third party without written permission by Velleman®.
- Articles to be repaired must be delivered to your Velleman® dealer, solidly packed (preferably in the original packaging), and be completed with the original receipt of purchase and a clear flaw description.
- Hint: In order to save on cost and time, please reread the manual and check if the flaw is caused by obvious causes prior to presenting the article for repair. Note that returning a non-defective article can also involve handling costs.
- Repairs occurring after warranty expiration are subject to shipping costs.
- The above conditions are without prejudice to all commercial warranties.

**The above enumeration is subject to modification according to the article (see article's manual).**

**NL****Velleman® service- en kwaliteitsgarantie**

Velleman® heeft sinds zijn oprichting in 1972 een ruime ervaring opgebouwd in de elektronica wereld en verdeelt op dit moment producten in meer dan 85 landen. Al onze producten beantwoorden aan strikte kwaliteitseisen en aan de wettelijke bepalingen geldig in de EU. Om de kwaliteit te waarborgen, ondergaan onze producten op regelmatige tijdstippen een extra kwaliteitscontrole, zowel door onze eigen kwaliteitsafdeling als door externe gespecialiseerde organisaties. Mocht er ondanks deze voorzorgen toch een probleem optreden, dan kunt u steeds een beroep doen op onze waarborg (zie waarborgvoorwaarden).

**Algemene waarborgvoorwaarden consumentengoederen (voor Europese Unie):**

- Op alle consumentengoederen geldt een garantieperiode van 24 maanden op productie- en materiaalfouten en dit vanaf de oorspronkelijke aankoopdatum.
- Indien de klacht gegrond is en een gratis reparatie of vervanging van een artikel onmogelijk is of indien de kosten hiervoor buiten verhouding zijn, kan Velleman® beslissen het desbetreffende artikel te vervangen door een gelijkwaardig artikel of de aankoopsum van het artikel gedeeltelijk of volledig terug te betalen. In dat geval krijgt u een vervangend product of terugbetaling ter waarde van 100% van de aankoopsum bij ontdekking van een gebrek tot één jaar na aankoop en levering, of een vervangend product tegen 50% van de kostprijs of terugbetaling van 50 % bij ontdekking na één jaar tot 2 jaar.

**• Valt niet onder waarborg:**

- alle rechtstreekse of onrechtstreekse schade na de levering veroorzaakt aan het toestel (bv. door oxidatie, schokken, val, stof, vuil, vocht...), en door het toestel, alsook zijn inhoud (bv. verlies van data), vergoeding voor eventuele winstderving.
- verbruiksgoederen, onderdelen of hulpstukken die onderhevig zijn aan veroudering door normaal gebruik zoals bv. batterijen (zowel oplaadbare als niet-oplaadbare, gebouwd of vervangbaar), lampen, rubberen onderdelen, aandrijfriemen... (onbepaalde lijst).
- defecten ten gevolge van brand, waterschade, bliksem, ongevallen, natuurrampen, enz.
- defecten veroorzaakt door opzet, nalatigheid of door een onoordeelkundige behandeling, slecht onderhoud of abnormaal

gebruik of gebruik van het toestel strijdig met de voorschriften van de fabrikant.

- schade ten gevolge van een commercieel, professioneel of collectief gebruik van het apparaat (bij professioneel gebruik wordt de garantieperiode herleid tot 6 maand).
  - schade veroorzaakt door onvoldoende bescherming bij transport van het apparaat.
  - alle schade door wijzigingen, reparaties of modificaties uitgevoerd door derden zonder toestemming van Velleman®.
  - Toestellen dienen ter reparatie aangeboden te worden bij uw Velleman®-verdelers. Het toestel dient verzegeld te zijn van het oorspronkelijke aankoopbewijs. Zorg voor een degelijke verpakking (bij voorkeur de originele verpakking) en voeg een duidelijke foutomschrijving bij.
  - Tip: alvorens het toestel voor reparatie aan te bieden, kijk nog eens na of er geen voor de hand liggende reden is waarom het toestel niet naar behoren werkt (zie handleiding). Op deze wijze kunt u kosten en tijd besparen. Denk eraan dat er ook voor niet-defecte toestellen een kost voor controle aangerekend kan worden.
  - Bij reparaties buiten de waarborgperiode zullen transportkosten aangerekend worden.
  - Elke commerciële garantie laat deze rechten onverminderd.
- Bovenstaande opsomming kan eventueel aangepast worden naargelang de aard van het product (zie handleiding van het betreffende product).**

**FR****Garantie de service et de qualité Velleman®**

Depuis 1972, Velleman® a gagné une vaste expérience dans le secteur de l'électronique et est actuellement distributeur dans plus de 85 pays.

Tous nos produits répondent à des exigences de qualité rigoureuses et à des dispositions légales en vigueur dans l'UE. Afin de garantir la qualité, nous soumettons régulièrement nos produits à des contrôles de qualité supplémentaires, tant par notre propre service qualité que par un service qualité externe. Dans le cas improbable d'un défaut malgré toutes les précautions, il est possible d'invoquer notre garantie (voir les conditions de garantie).

**Conditions générales concernant la garantie sur les produits grand public (pour l'UE) :**

- tout produit grand public est garanti 24 mois contre tout vice de production ou de matériaux à dater du jour d'acquisition effective ;
- si la plainte est justifiée et que la réparation ou le remplacement d'un article est jugé impossible, ou lorsque les coûts s'avèrent disproportionnés, Velleman® s'autorise à remplacer ledit article par un article équivalent ou à rembourser la totalité ou une partie du prix d'achat. Le cas échéant, il vous sera consenti un article de remplacement ou le remboursement complet du prix d'achat lors d'un défaut dans un délai de 1 an après l'achat et la livraison, ou un article de remplacement moyennant 50% du prix d'achat ou le remboursement de 50% du prix d'achat lors d'un défaut après 1 à 2 ans.
- sont par conséquent exclus :
  - tout dommage direct ou indirect survenu à l'article après livraison (p.ex. dommage lié à l'oxydation, choc, chute, poussière, sable, impureté...) et provoqué par l'appareil, ainsi que son contenu (p.ex. perte de données) et une indemnisation éventuelle pour perte de revenus ;
  - toute pièce ou accessoire nécessitant un remplacement causé par un usage normal comme p.ex. piles (rechargeables comme non rechargeables, intégrées ou remplaçables), ampoules, pièces en caoutchouc, courroies... (liste illimitée) ;
  - tout dommage qui résulte d'un incendie, de la foudre, d'un accident, d'une catastrophe naturelle, etc. ;
  - out dommage provoqué par une négligence, volontaire ou non, une utilisation ou un entretien incorrect, ou une utilisation de l'appareil contraire aux prescriptions du fabricant ;
  - tout dommage à cause d'une utilisation commerciale, professionnelle ou collective de l'appareil (la période de garantie sera réduite à 6 mois lors d'une utilisation professionnelle) ;
  - tout dommage à l'appareil qui résulte d'une utilisation incorrecte ou différente que celle pour laquelle il a été initialement prévu comme décrit dans la notice ;
  - tout dommage engendré par un retour de l'appareil emballé dans un conditionnement non ou insuffisamment protégé.
- toute réparation ou modification effectuée par une tierce personne sans l'autorisation explicite de SA Velleman® ; - frais de transport de et vers Velleman® si l'appareil n'est plus couvert sous la garantie.
- toute réparation sera fournie par l'endroit de l'achat. L'appareil doit nécessairement être accompagné du bon d'achat d'origine et être dûment conditionné (de préférence dans l'emballage d'origine avec mention du défaut) ;
- tuyau : il est conseillé de consulter la notice et de contrôler câbles, piles, etc. avant de retourner l'appareil. Un appareil retourné jugé défectueux qui s'avère en bon état de marche pourra faire l'objet d'une note de frais à charge du consommateur ;
- une réparation effectuée en-dehors de la période de garantie fera l'objet de frais de transport ;
- toute garantie commerciale ne porte pas atteinte aux conditions susmentionnées.

**La liste susmentionnée peut être sujette à une complémentération selon le type de l'article et être mentionnée dans la notice d'emploi.**

**DE****Velleman® Service- und Qualitätsgarantie**

Seit der Gründung in 1972 hat Velleman® sehr viel Erfahrung als Verteiler in der Elektronikwelt in über 85 Ländern aufgebaut. Alle Produkte entsprechen den strengen Qualitätsforderungen und gesetzlichen Anforderungen in der EU. Um die Qualität zu gewährleisten werden unsere Produkte regelmäßig einer zusätzlichen Qualitätskontrolle unterworfen, sowohl von unserer eigenen Qualitätsabteilung als auch von externen spezialisierten

Organisationen. Sollten, trotz aller Vorsichtsmaßnahmen, Probleme auftreten, nehmen Sie bitte die Garantie in Anspruch (siehe Garantiebedingungen).

**Allgemeine Garantiebedingungen in Bezug auf Konsumgüter (für die Europäische Union):**

- Alle Produkte haben für Material- oder Herstellungsfehler eine Garantieperiode von 24 Monaten ab Verkaufsdatum.
  - Wenn die Klage berechtigt ist und falls eine kostenlose Reparatur oder ein Austausch des Gerätes unmöglich ist, oder wenn die Kosten dafür unverhältnismäßig sind, kann Velleman® sich darüber entscheiden, dieses Produkt durch ein gleiches Produkt zu ersetzen oder die Kaufsumme ganz oder teilweise zurückzuzahlen. In diesem Fall erhalten Sie ein Ersatzprodukt oder eine Rückzahlung im Werte von 100% der Kaufsumme im Falle eines Defektes bis zu 1 Jahr nach Kauf oder Lieferung, oder Sie bekommen ein Ersatzprodukt im Werte von 50% der Kaufsumme oder eine Rückzahlung im Werte von 50 % im Falle eines Defektes im zweiten Jahr.
  - **Von der Garantie ausgeschlossen sind:**
    - alle direkten oder indirekten Schäden, die nach Lieferung am Gerät und durch das Gerät verursacht werden (z.B. Oxidation, Stöße, Fall, Staub, Schmutz, Feuchtigkeit, ...), sowie auch der Inhalt (z.B. Datenverlust), Entschädigung für eventuellen Gewinnausfall.
    - Verbrauchsgüter, Teile oder Zubehörteile, die durch normalen Gebrauch dem Verschleiß ausgesetzt sind, wie z.B. Batterien (nicht nur aufladbare, sondern auch nicht aufladbare, eingebaute oder ersetzbare), Lampen, Gummiteile, Treibriemen, usw. (unbeschränkte Liste).
    - Schäden verursacht durch Brandschaden, Wasserschaden, Blitz, Unfälle, Naturkatastrophen, usw.
    - Schäden verursacht durch absichtliche, nachlässige oder unsachgemäße Anwendung, schlechte Wartung, zweckentfremdete Anwendung oder Nichtbeachtung von Benutzerhinweisen in der Bedienungsanleitung.
    - Schäden infolge einer kommerziellen, professionellen oder kollektiven Anwendung des Gerätes (bei gewerblicher Anwendung wird die Garantieperiode auf 6 Monate zurückgeführt).
    - Schäden verursacht durch eine unsachgemäße Verpackung und unsachgemäßen Transport des Gerätes.
    - alle Schäden verursacht durch unautorisierte Änderungen, Reparaturen oder Modifikationen, die von einem Dritten ohne Erlaubnis von Velleman® vorgenommen werden.
  - Im Fall einer Reparatur, wenden Sie sich an Ihren Velleman®-Verteiler. Legen Sie das Produkt ordnungsgemäß verpackt (vorzugsweise die Originalverpackung) und mit dem Original-Kaufbeleg vor. Fügen Sie eine deutliche Fehlerbeschreibung hinzu.
  - Hinweis: Um Kosten und Zeit zu sparen, lesen Sie die Bedienungsanleitung nochmals und überprüfen Sie, ob es keinen auf de Hand liegenden Grund gibt, ehe Sie das Gerät zur Reparatur zurückschicken. Stellt sich bei der Überprüfung des Gerätes heraus, dass kein Geräteschaden vorliegt, könnte dem Kunden eine Untersuchungspauschale berechnet.
  - Für Reparaturen nach Ablauf der Garantiefrist werden Transportkosten berechnet.
  - Jede kommerzielle Garantie lässt diese Rechte unberührt.
- Die oben stehende Aufzählung kann eventuell angepasst werden gemäß der Art des Produktes (siehe Bedienungsanleitung des Gerätes).**