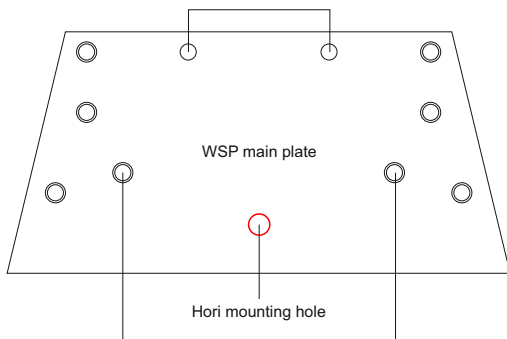


Please visit our YouTube channel for all the **set up videos** at: <http://www.youtube.com/user/wheelstandpro>

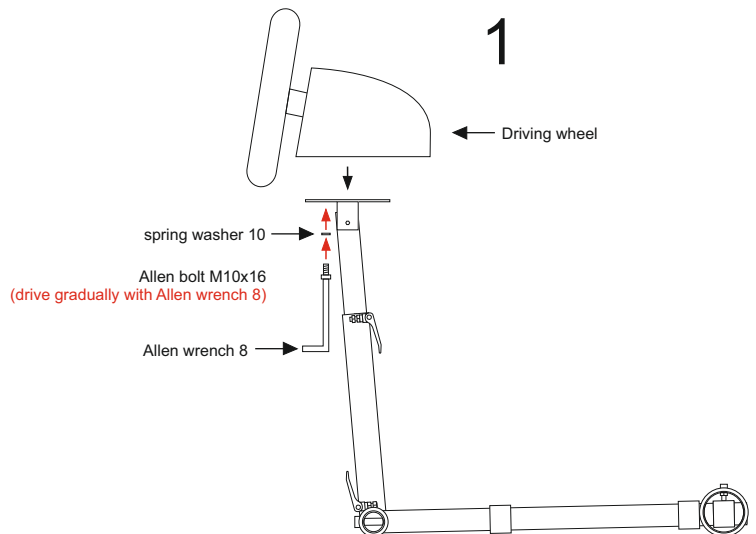
Hori set up video - 2 pedals version



Thrustmaster (F458, T80, T100, SPIDER, RGT, F. GT EXPERIENCE) adapter holes



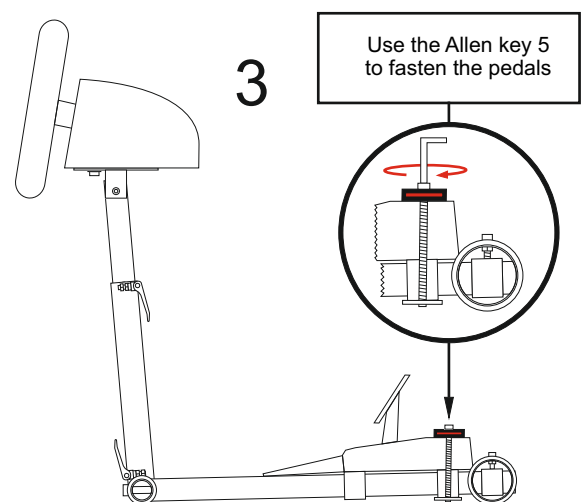
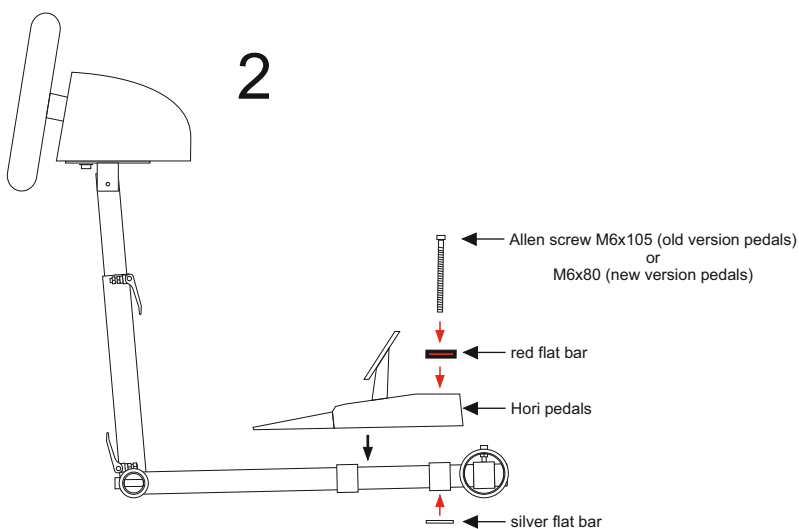
Thrustmaster F430, TX, T300RS mounting holes



Hori wheels are mounted with 1 Allen screw M10x16.

Thrustmaster F430, TX, T300RS, wheels are mounted with 2 Allen screws M6x16 only.

Tightening the screws too much can cause damage to the wheel and pedals.



PLEASE ALSO VISIT CONSTRUCTOR'S TIPS: <http://www.wheelstandpro.com/contips.html>

www.wheelstandpro.com

Thrustmaster and T300RS are trademarks of Guillemot Corporation S.A. F430 is trademark of Ferrari S.p.A.