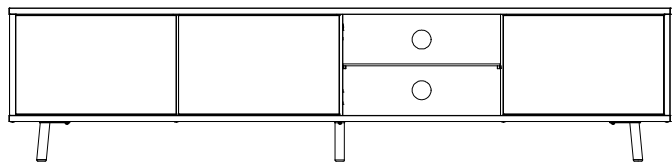


OP-63

A



B

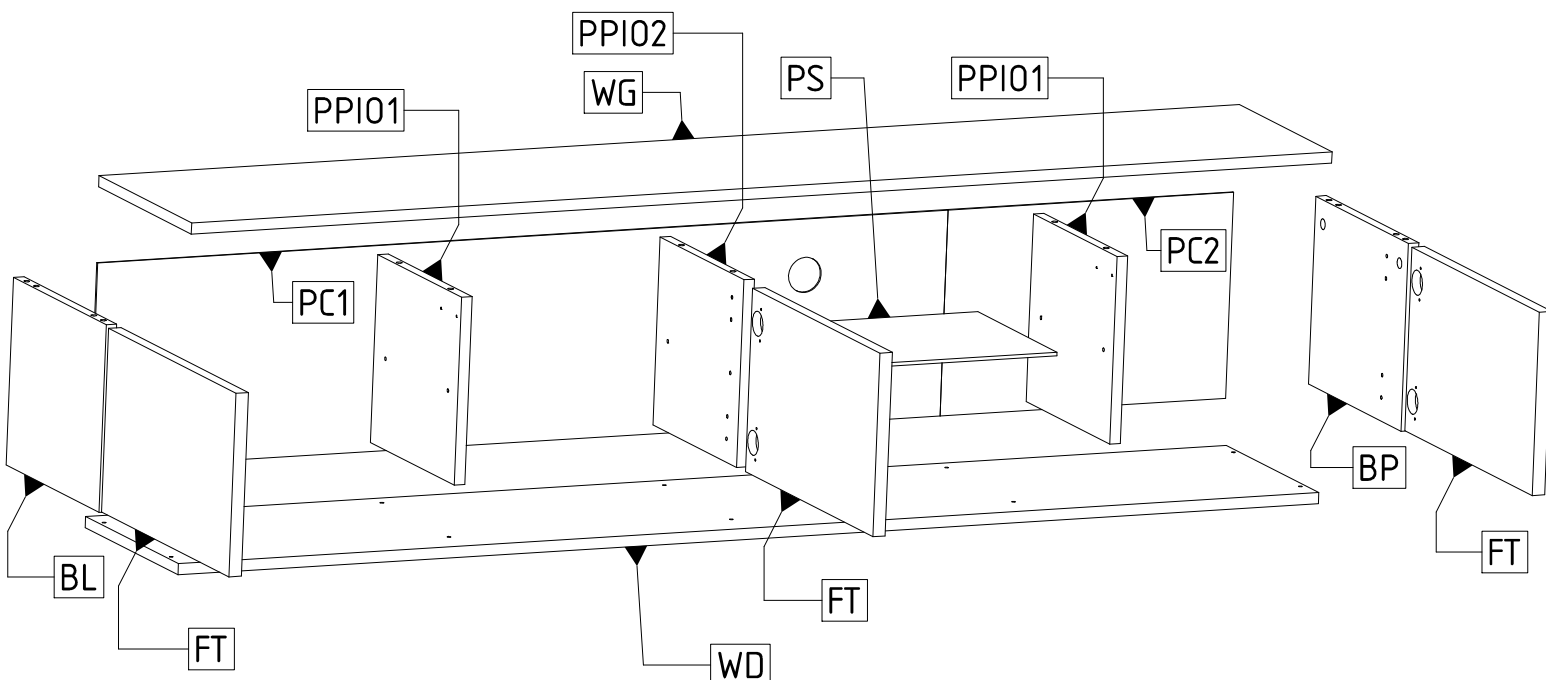
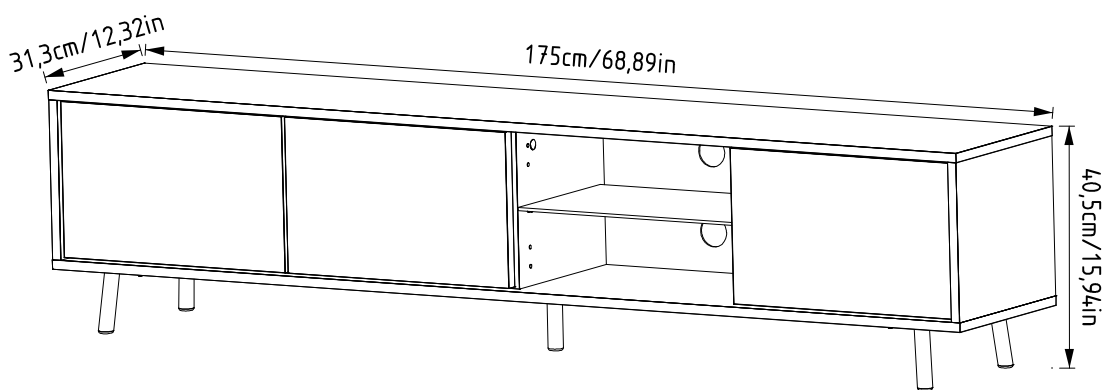
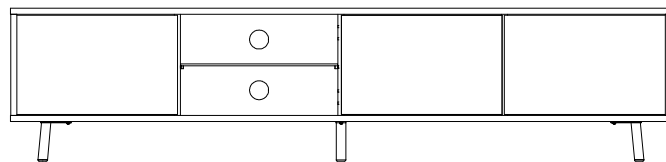










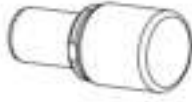









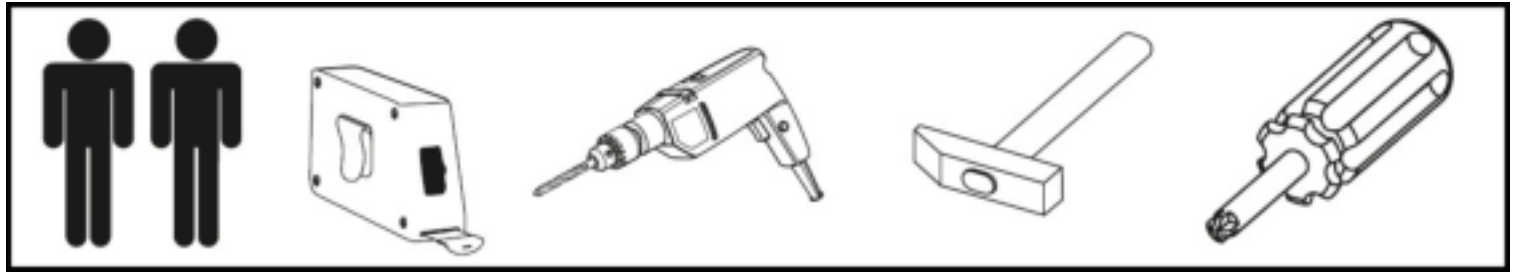
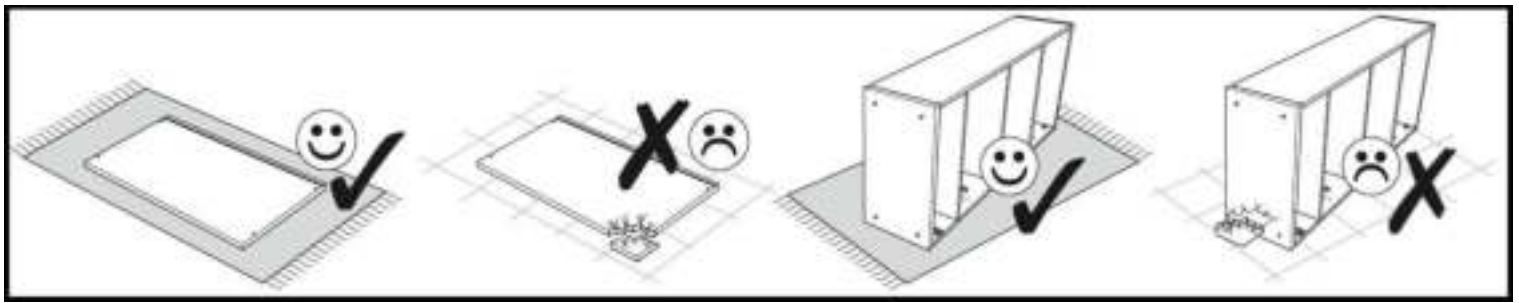


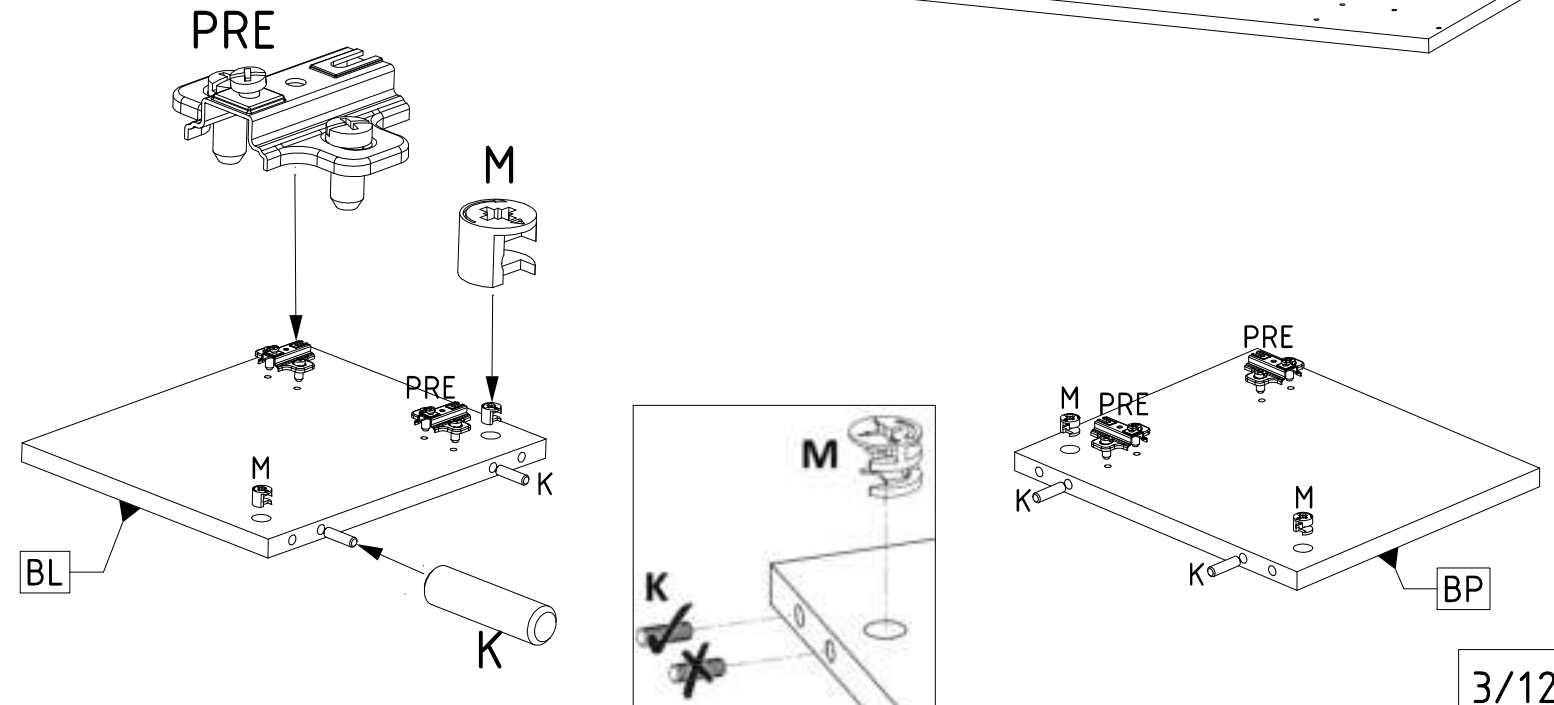
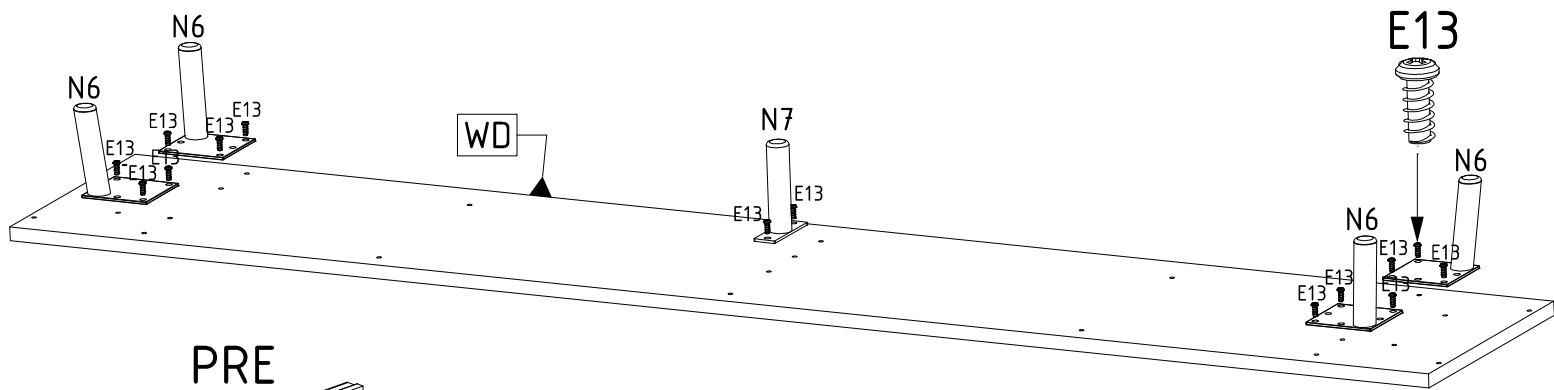
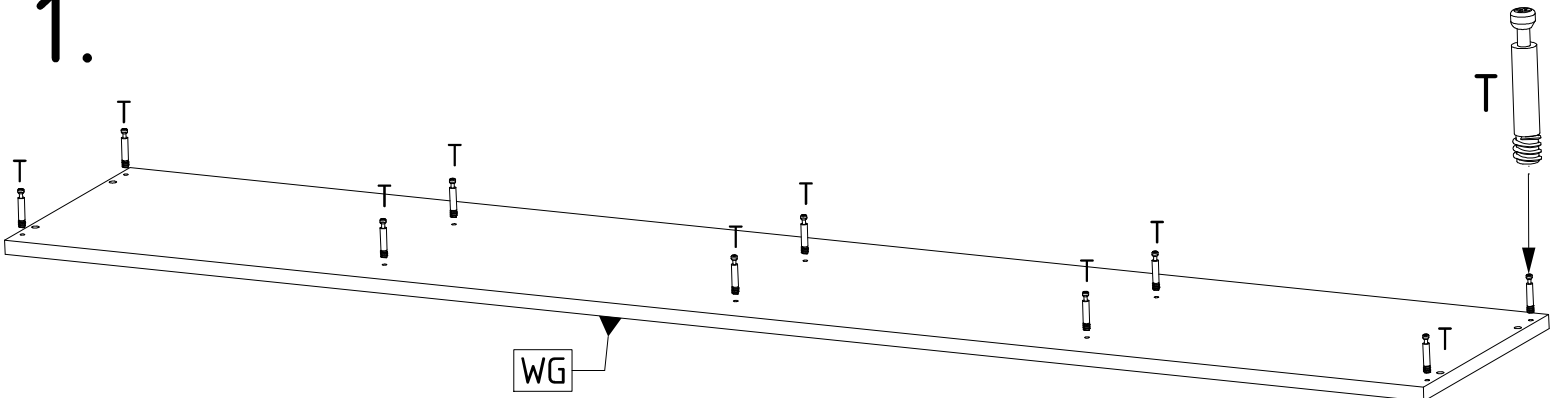
Table accessories

| | | | | |
|---|--|---|---|---|
|  A1 | <small>6,3 X 13</small>  E13 | <small>LUNA_02</small>  G | <small>8 x 30</small>  K | <small>6,3 X 50</small>  KN |
| <small>15 x 12</small>  M |  N6 |  N7 |  OK1 |  OK2 |
|  PP3 |  PRE | <small>6 x 34 mm</small>  T | <small>4 x 16</small>  W16 | <small>3 x 16mm</small>  W3 |
|  Z |  ZK |  ZP3 |  ZP5 |  Z5 |

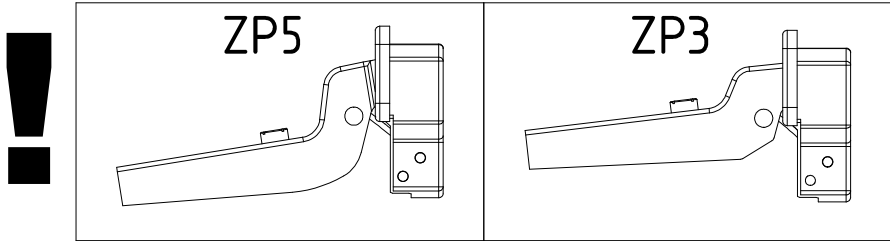
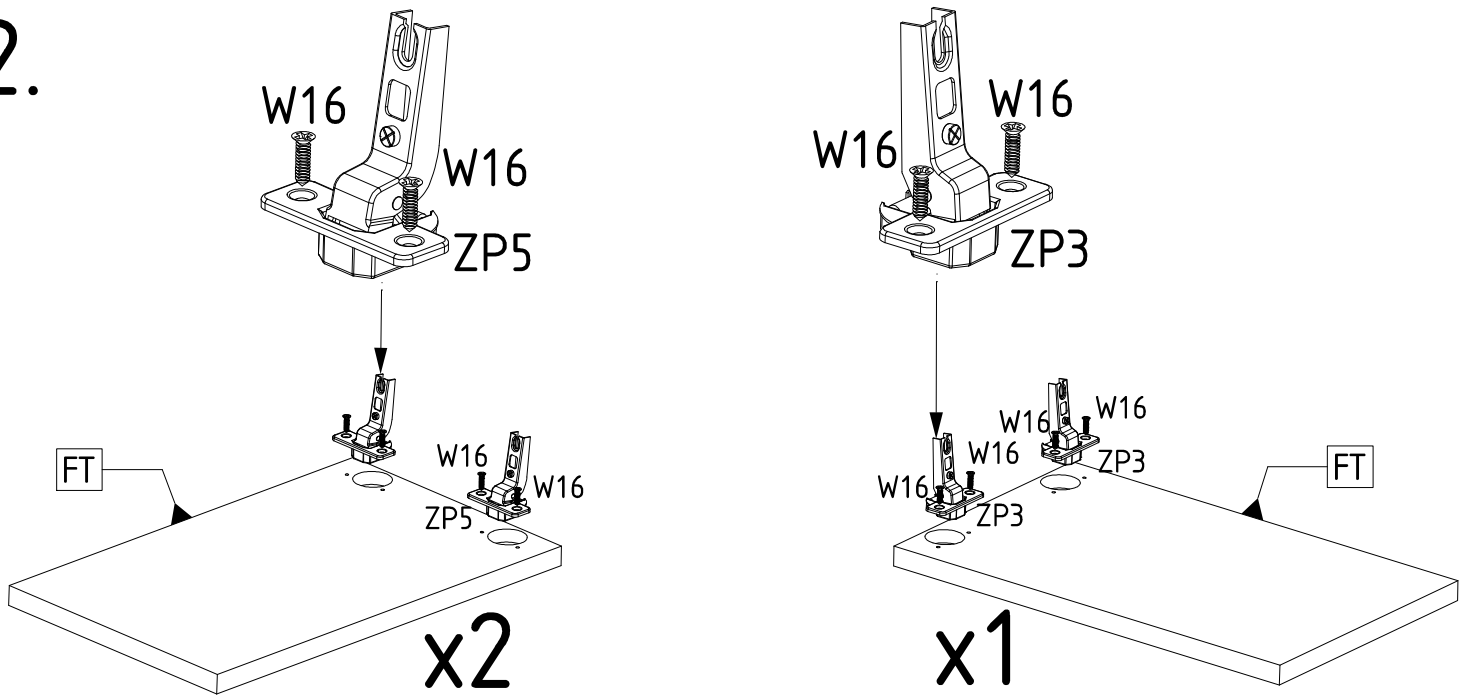
| Elements | | | | Accessories | |
|----------|--------|-------|----------|-------------|----------|
| SYMBOL | LENGTH | WIDTH | QUANTITY | SYMBOL | QUANTITY |
| BL | 310 | 268 | 1 | A1 | 1 |
| BP | 310 | 268 | 1 | E13 | 14 |
| FT | 426 | 262 | 3 | G | 28 |
| PC1 | 1305 | 294 | 1 | K | 4 |
| PC2 | 438 | 294 | 1 | KN | 10 |
| PPI01 | 280 | 268 | 2 | M | 10 |
| PPI02 | 280 | 268 | 1 | N6 | 4 |
| PS | 415 | 265 | 1 | N7 | 1 |
| WD | 1750 | 310 | 1 | OK1 | 3 |
| WG | 1750 | 310 | 1 | OK2 | 3 |
| | | | | PP3 | 4 |
| | | | | PRE | 6 |
| | | | | T | 10 |
| | | | | W16 | 12 |
| | | | | W3 | 6 |
| | | | | Z | 10 |
| | | | | Z5 | 12 |
| | | | | ZK | 10 |
| | | | | ZP3 | 2 |
| | | | | ZP5 | 4 |



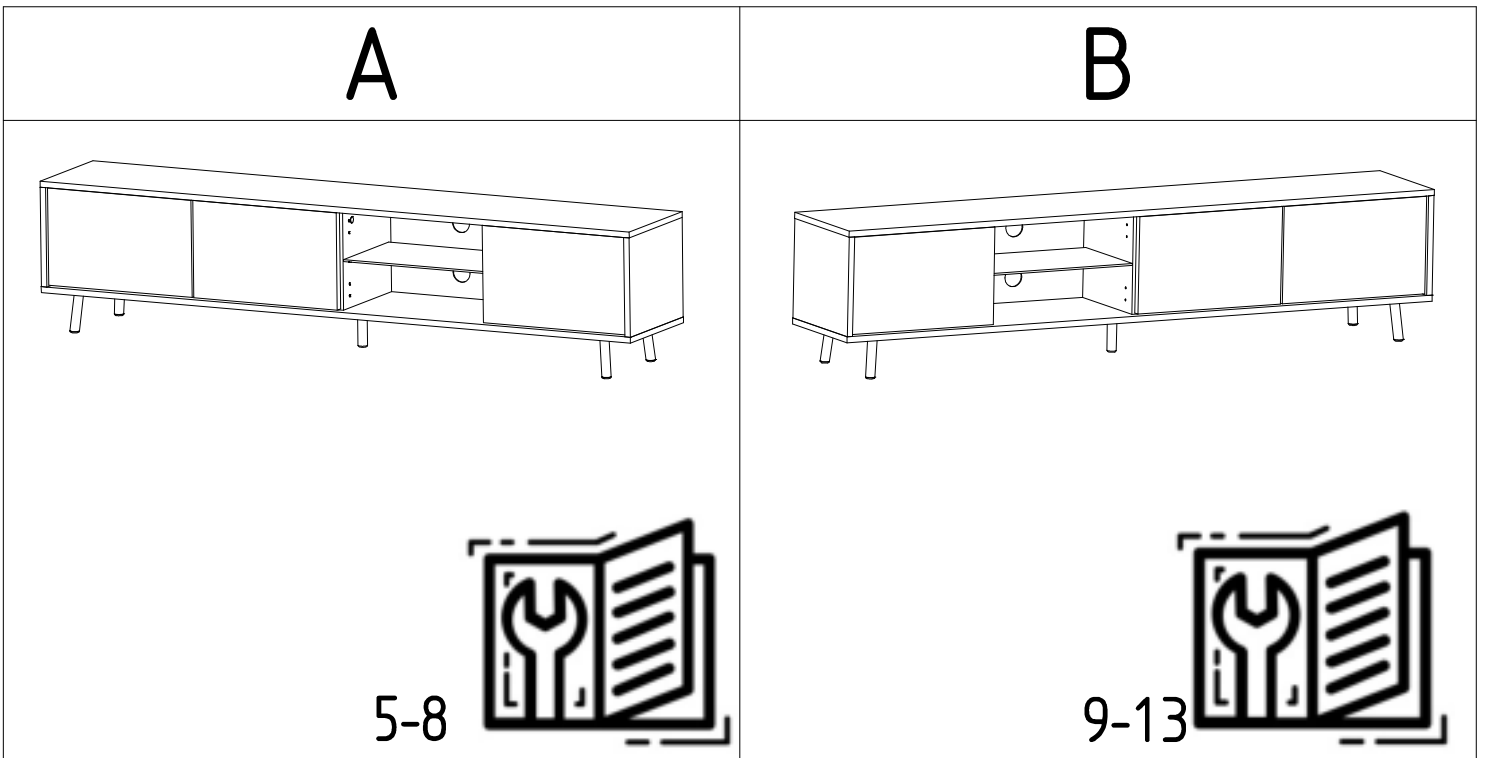
1.



2.

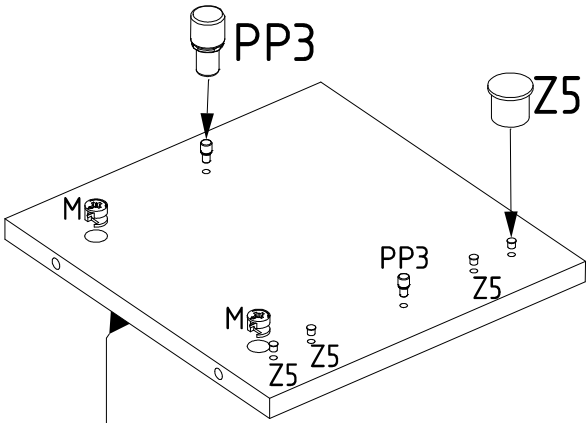
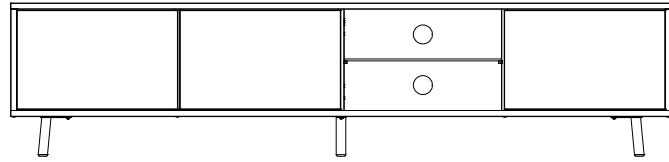


3.

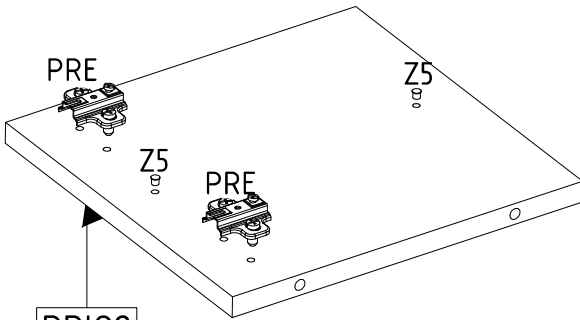


4.

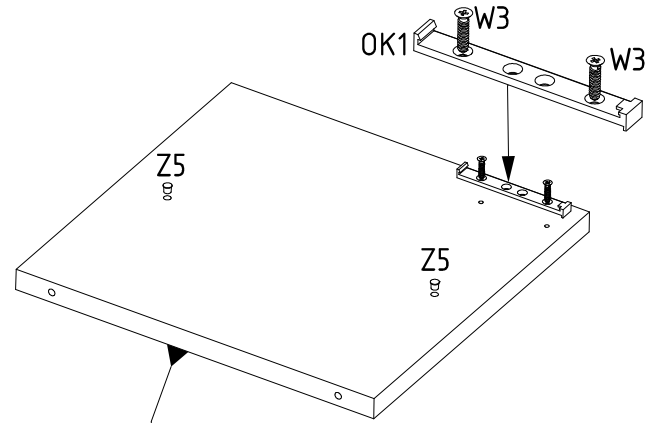
A



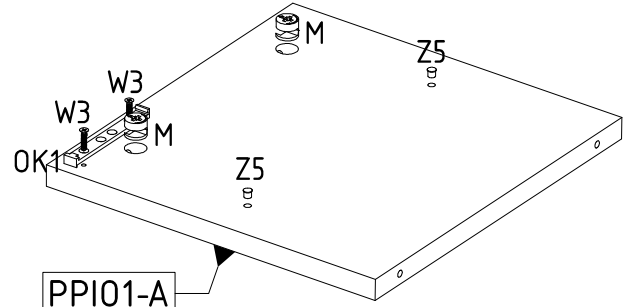
PPI02



PPI02

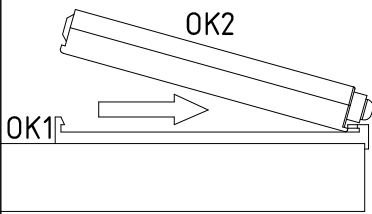


PPI01-A

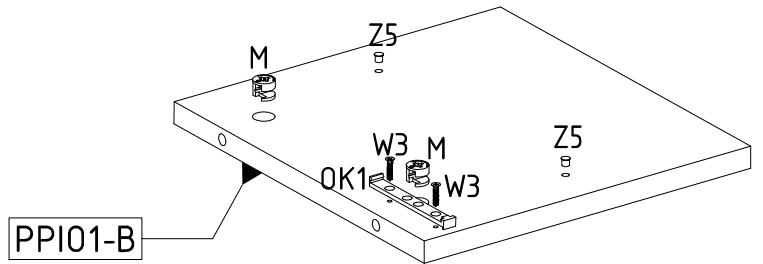
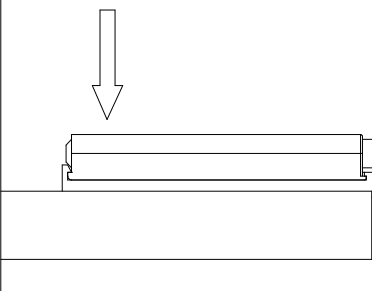


PPI01-A

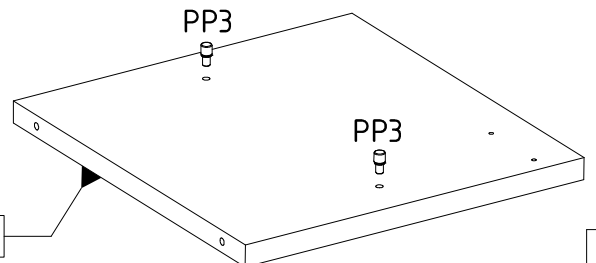
1.



2.

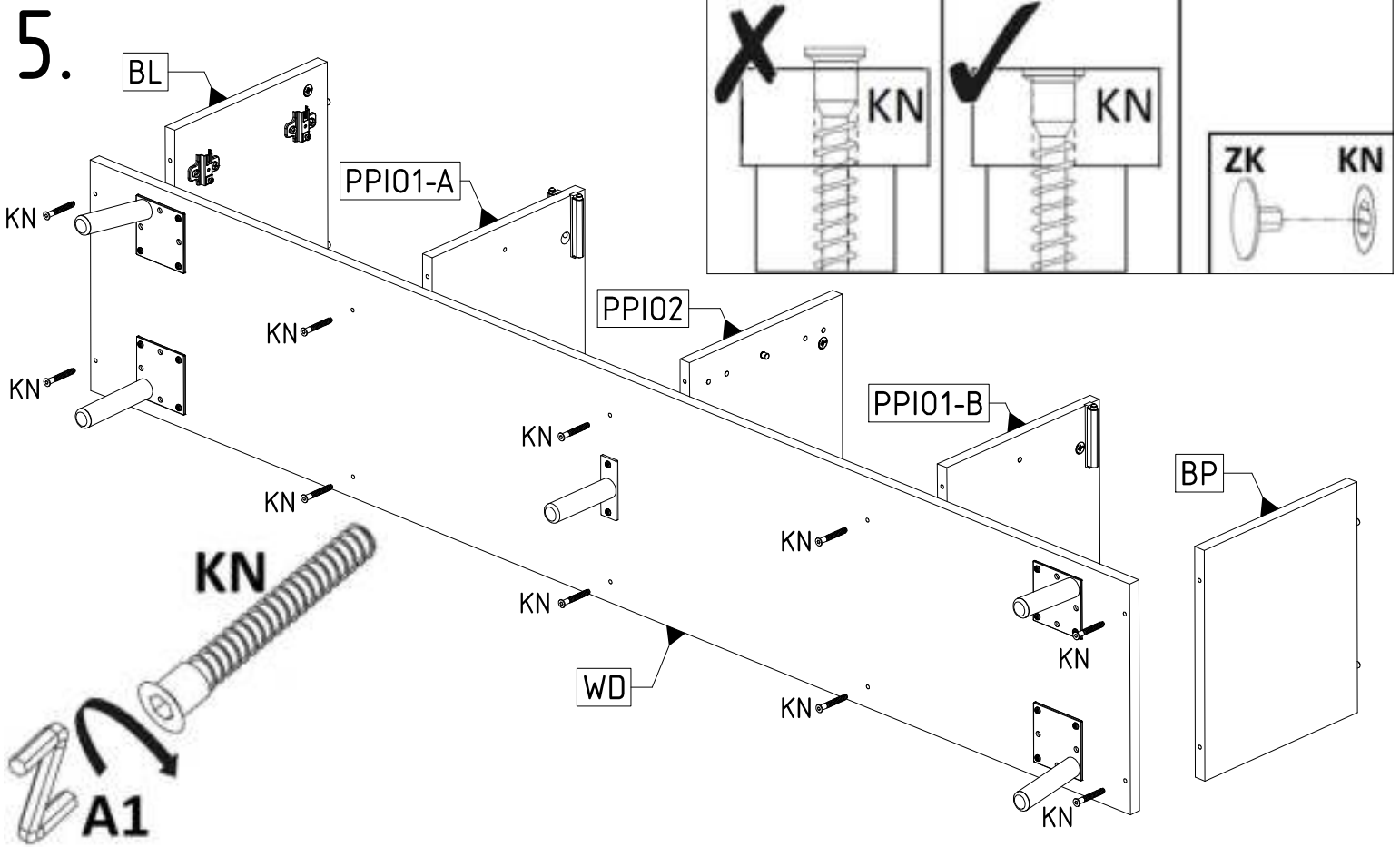


PPI01-B

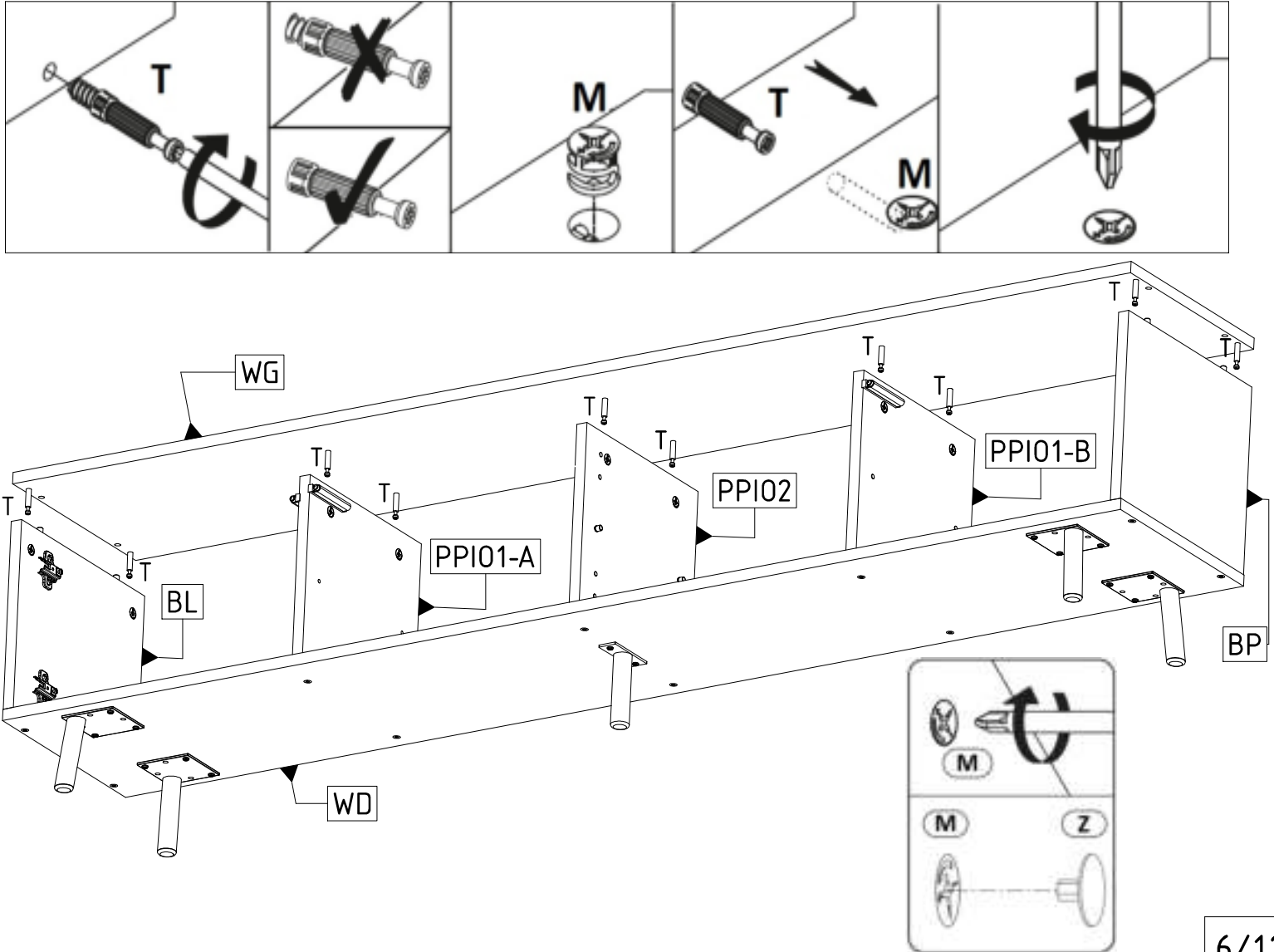


PPI01-B

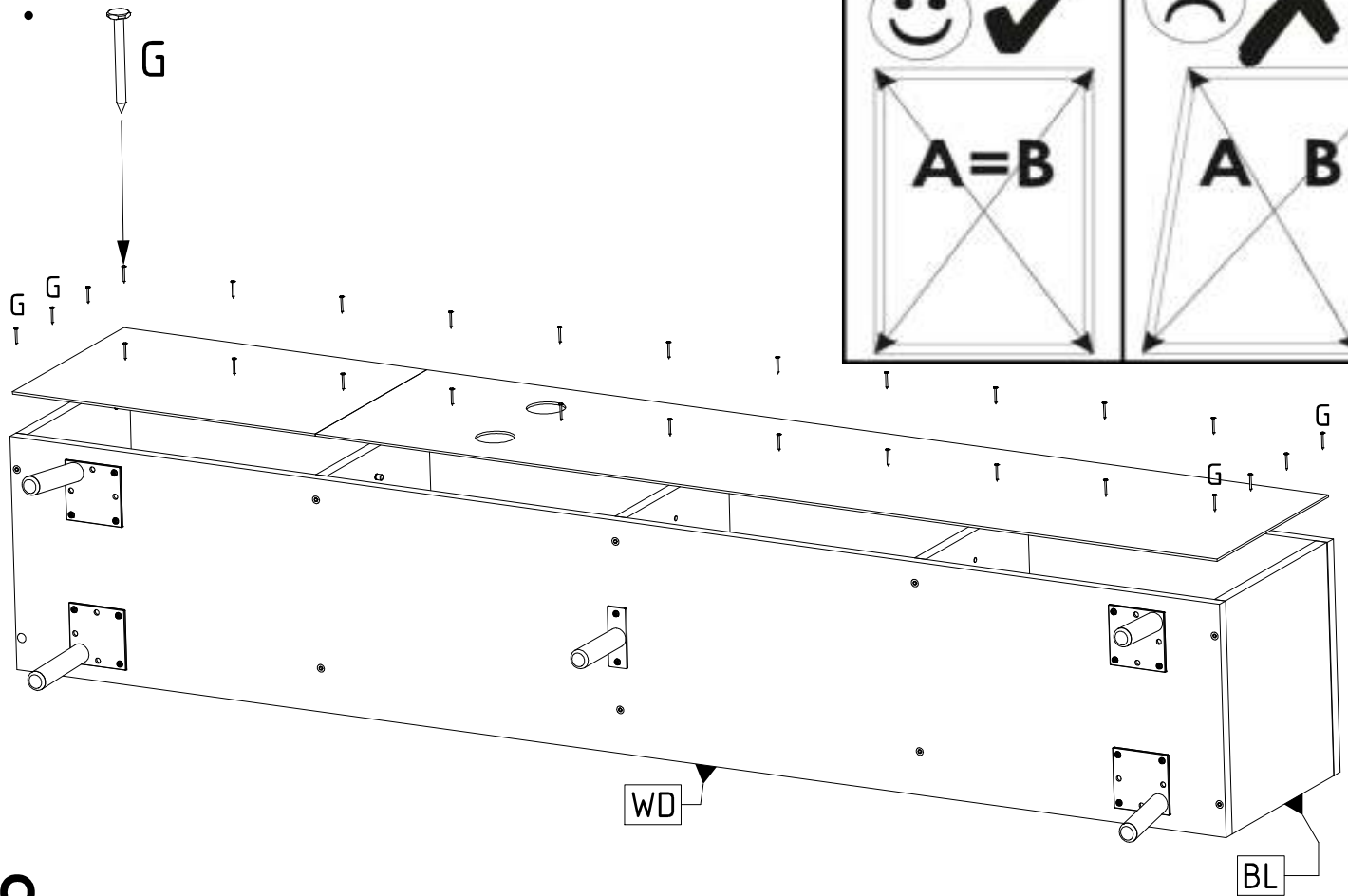
5.



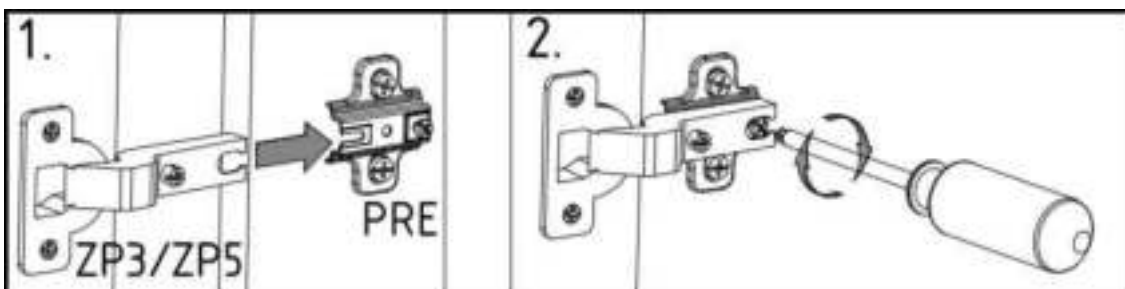
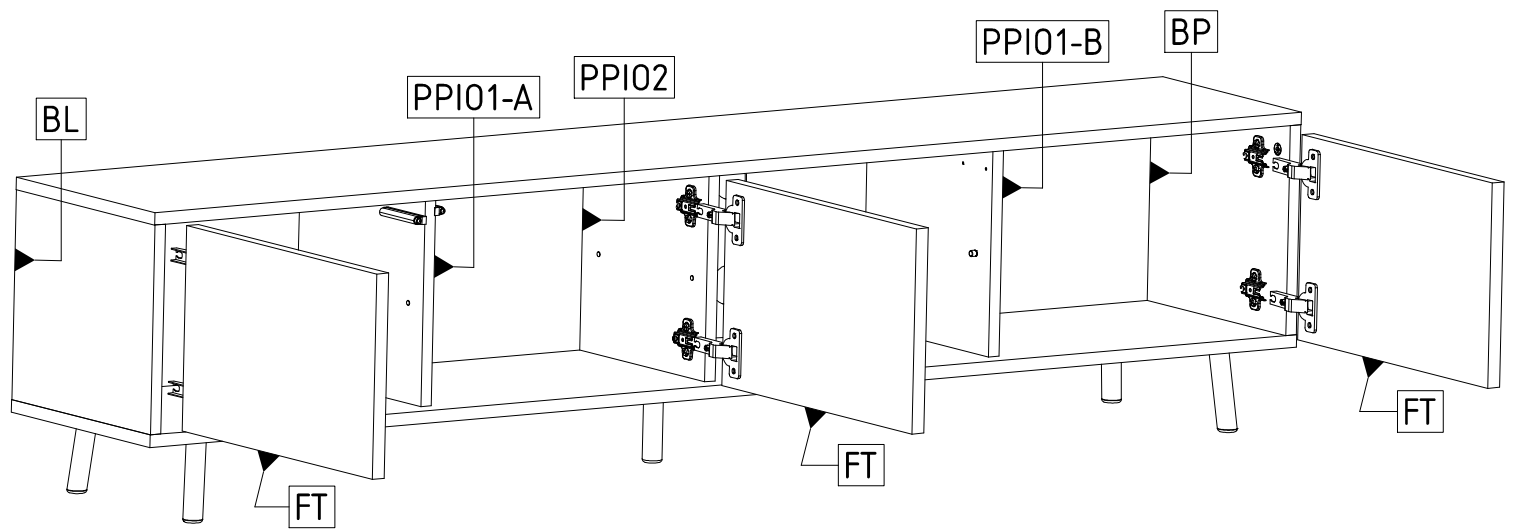
6.



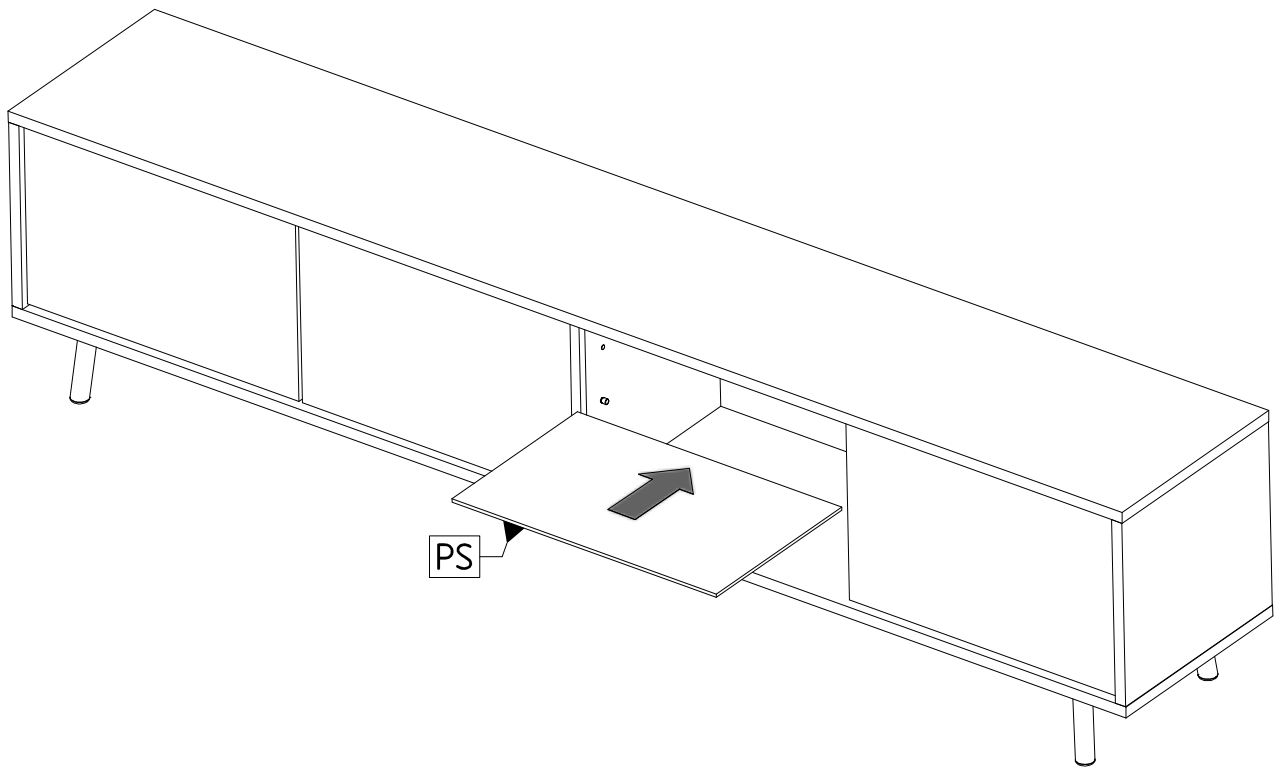
7.



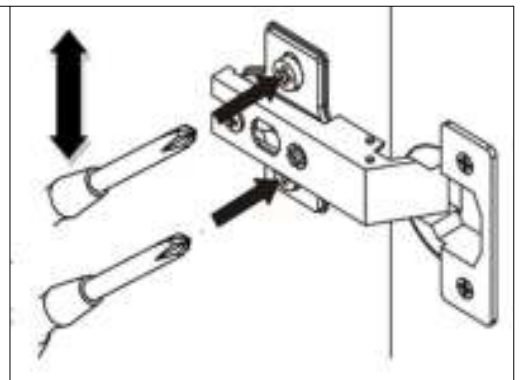
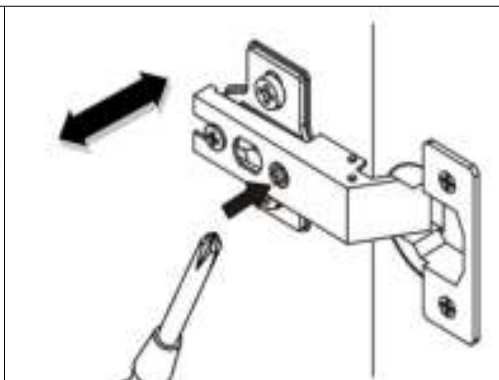
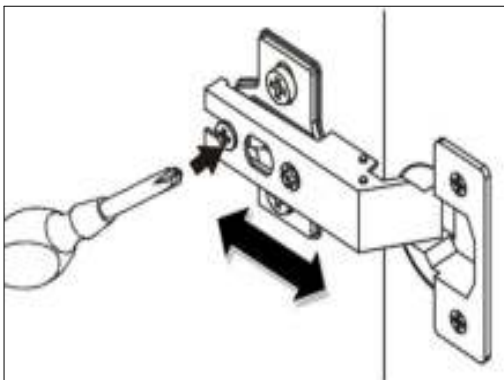
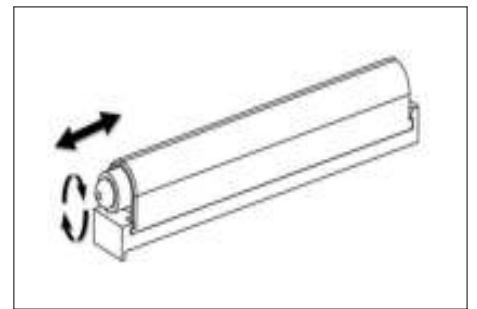
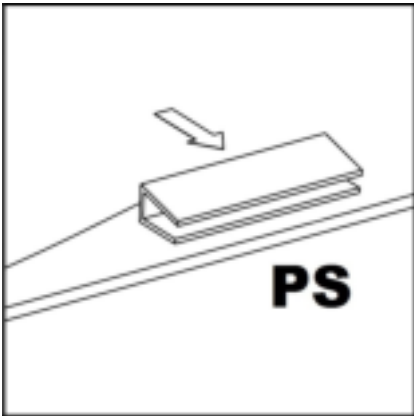
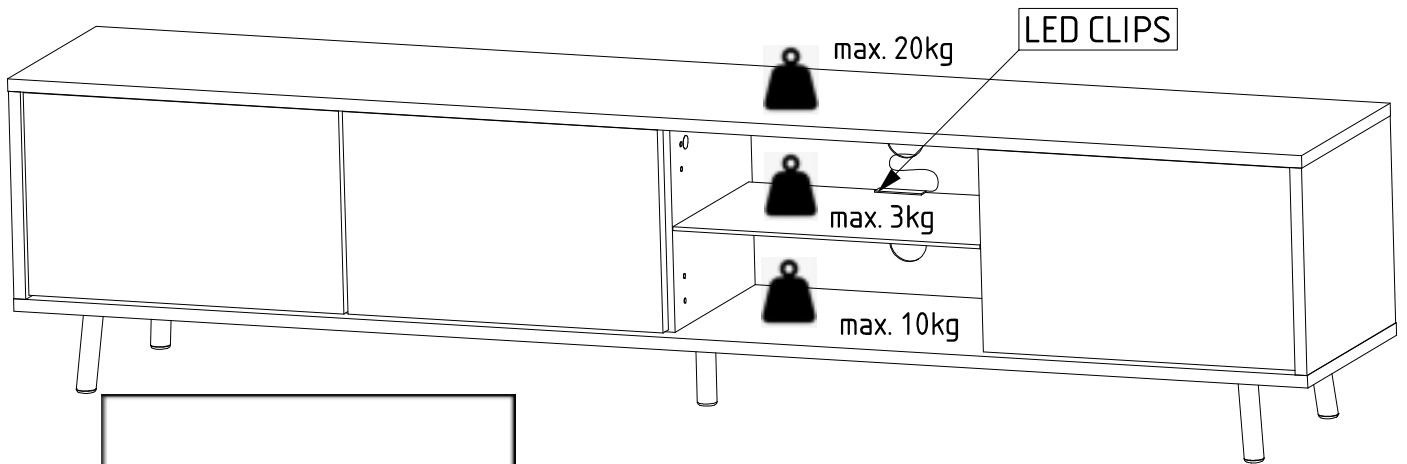
8.



9.

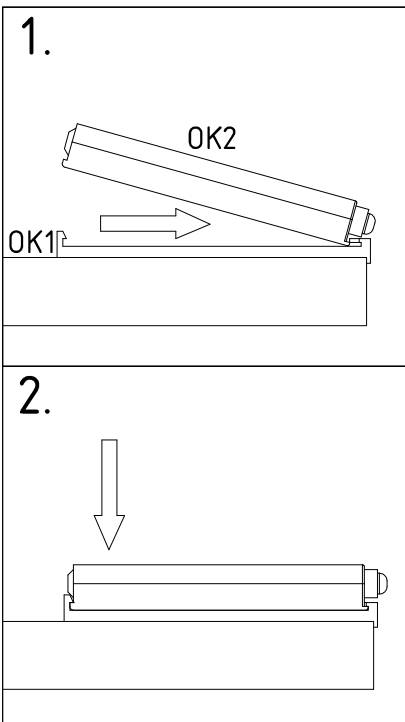
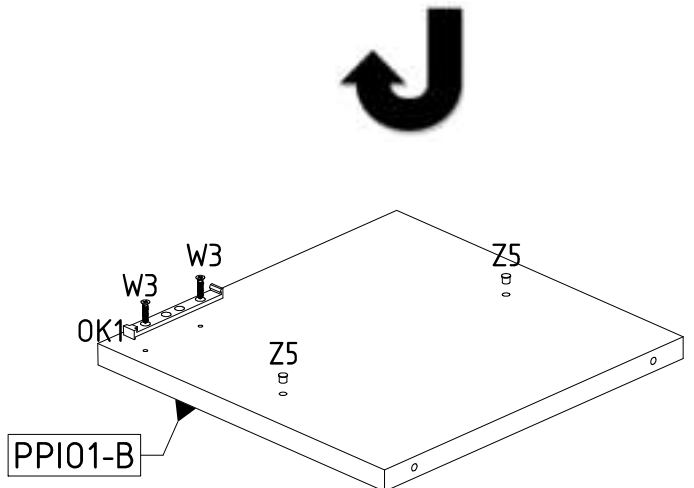
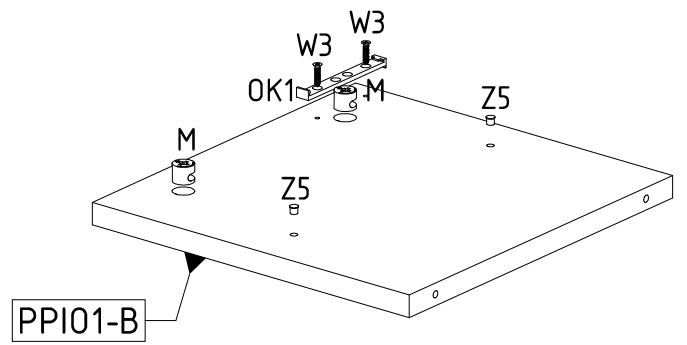
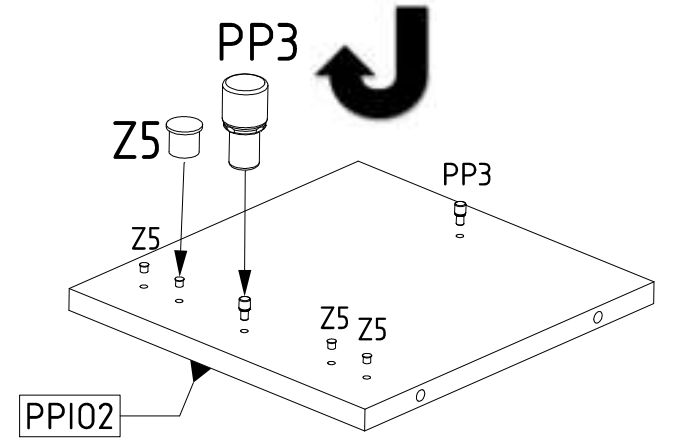
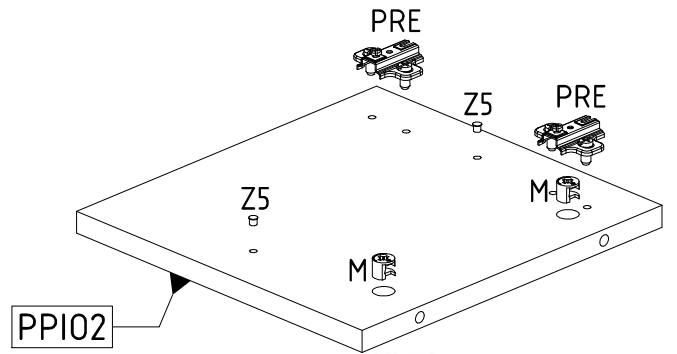
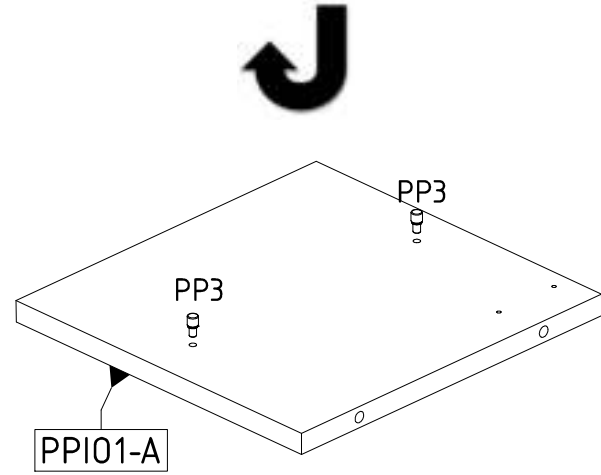
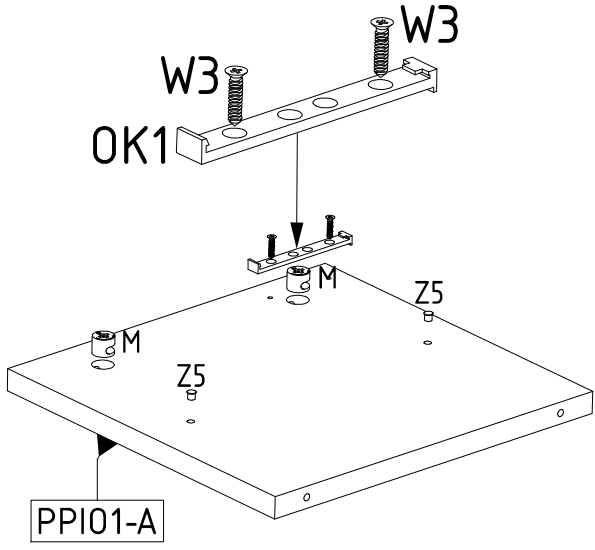
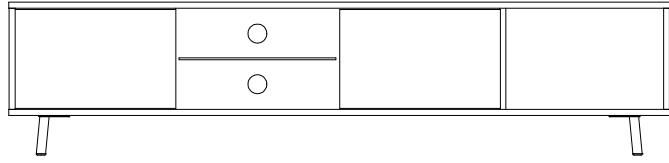


10.

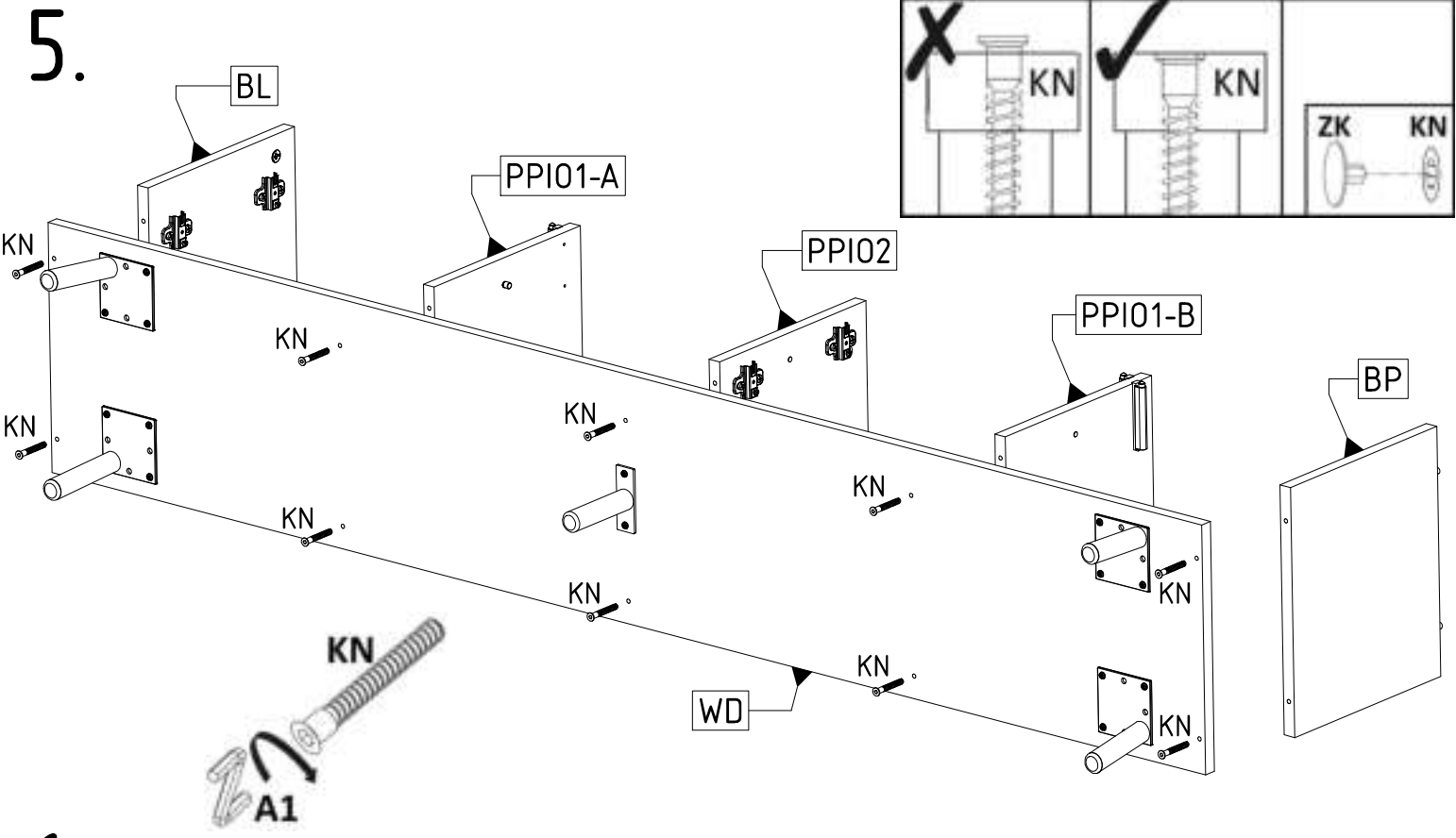


4.

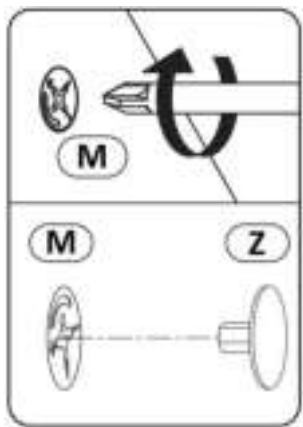
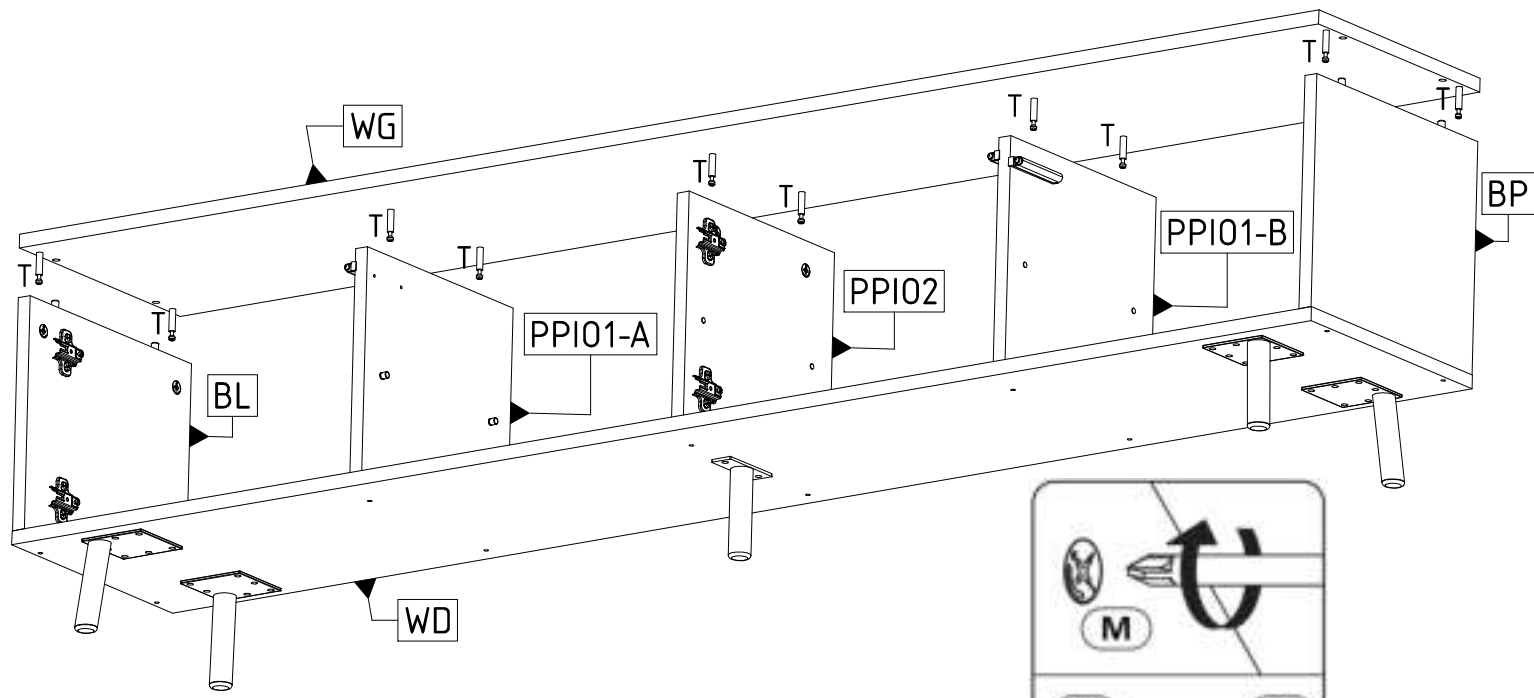
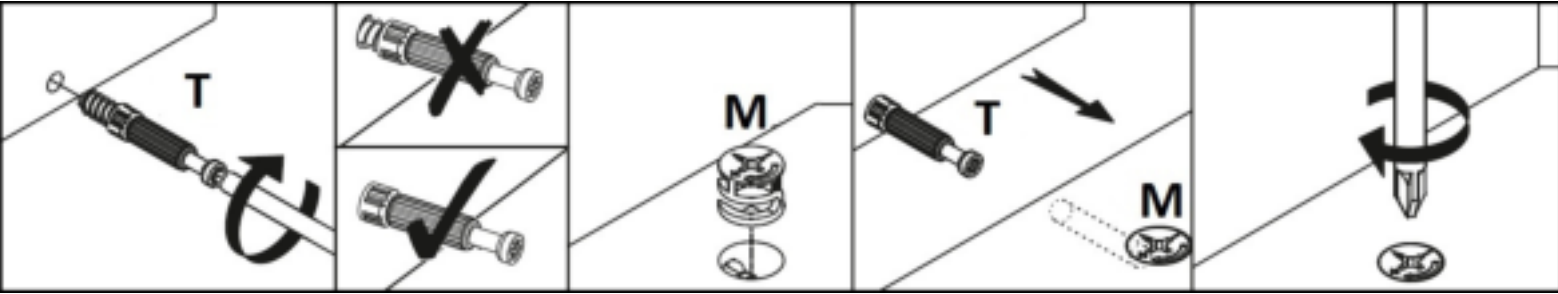
B



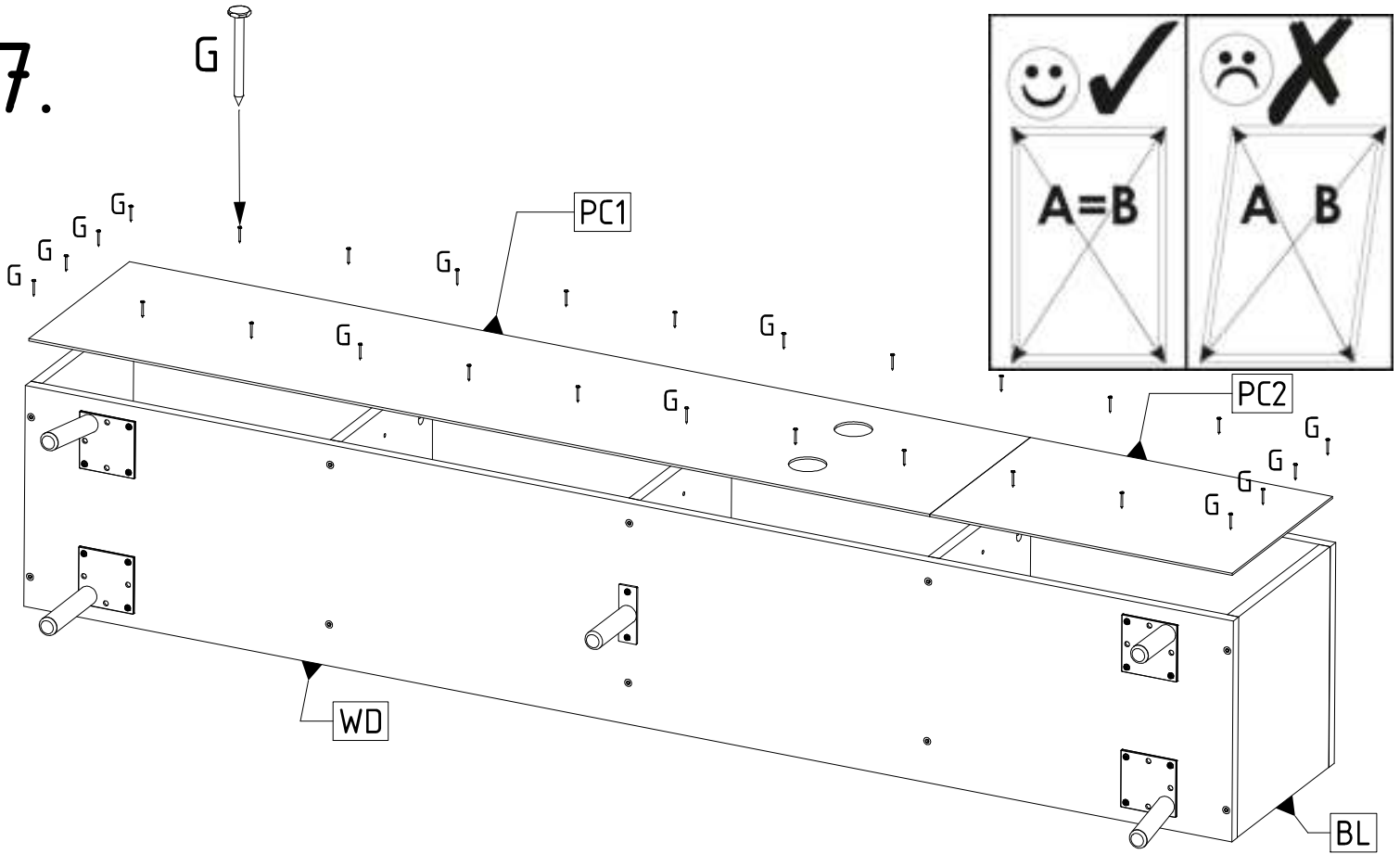
5.



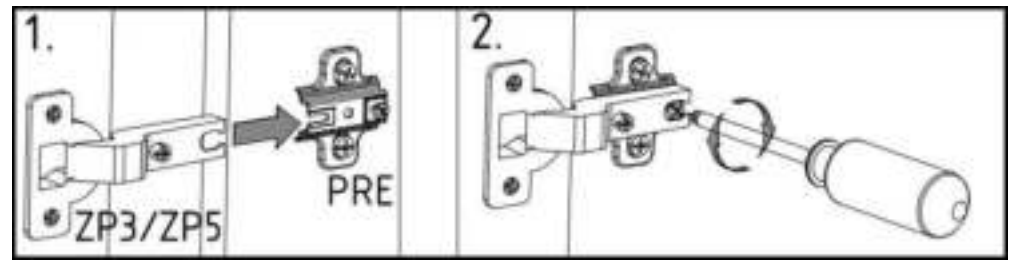
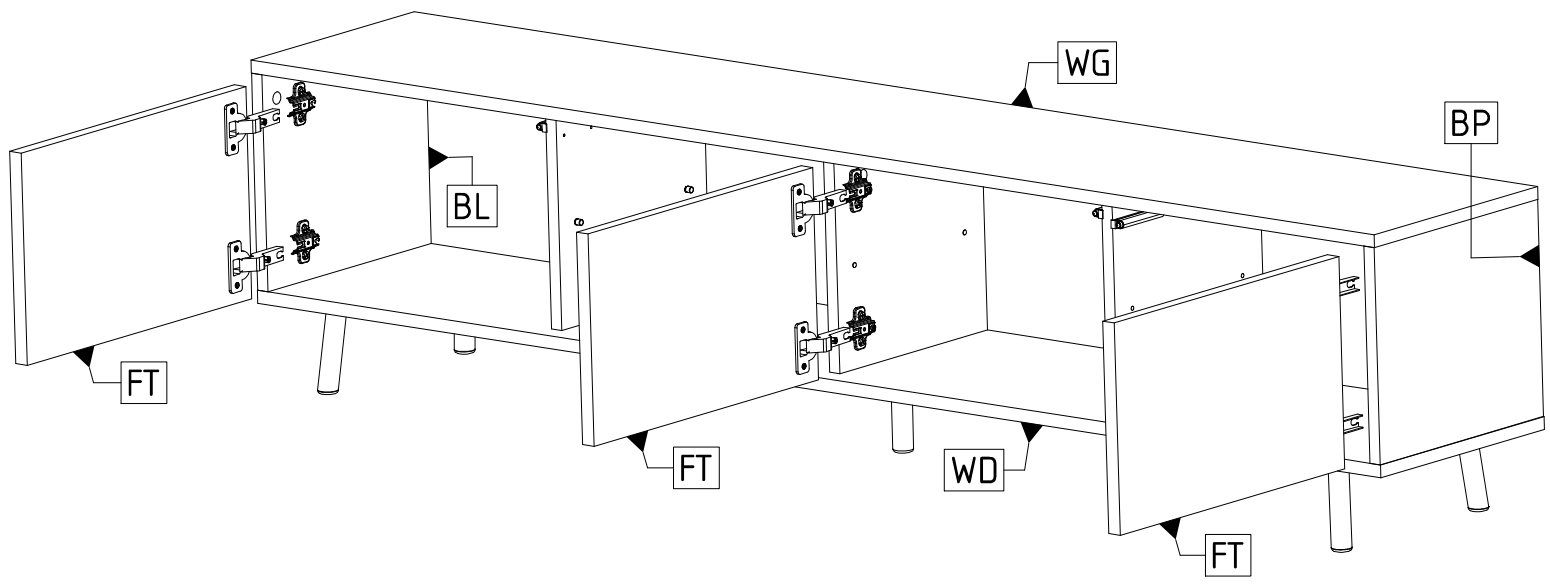
6.



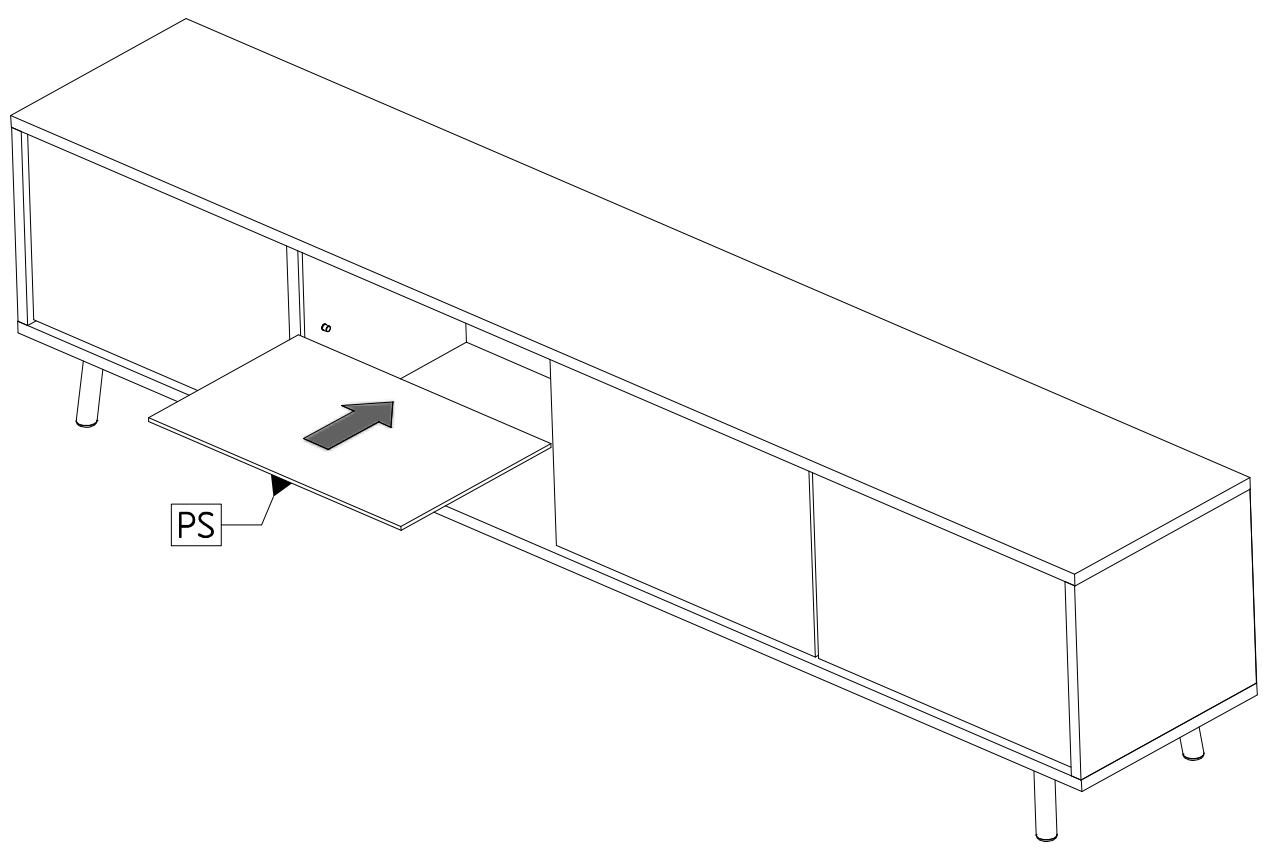
7.



8.



9.



10.

