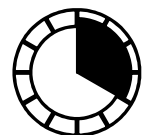
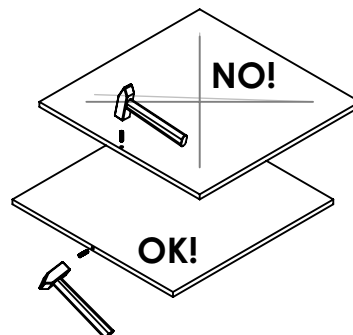
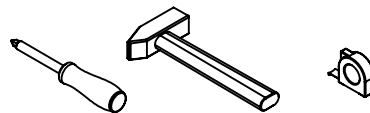
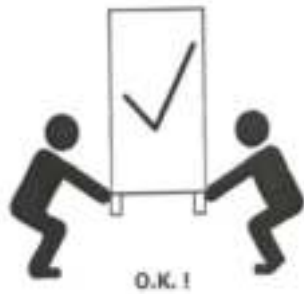



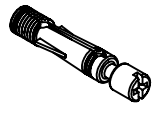
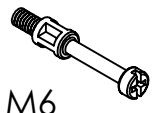

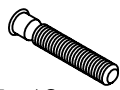



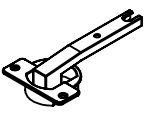
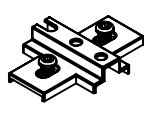
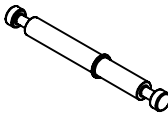
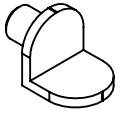

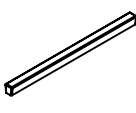
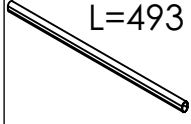


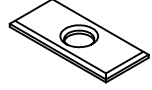

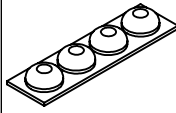
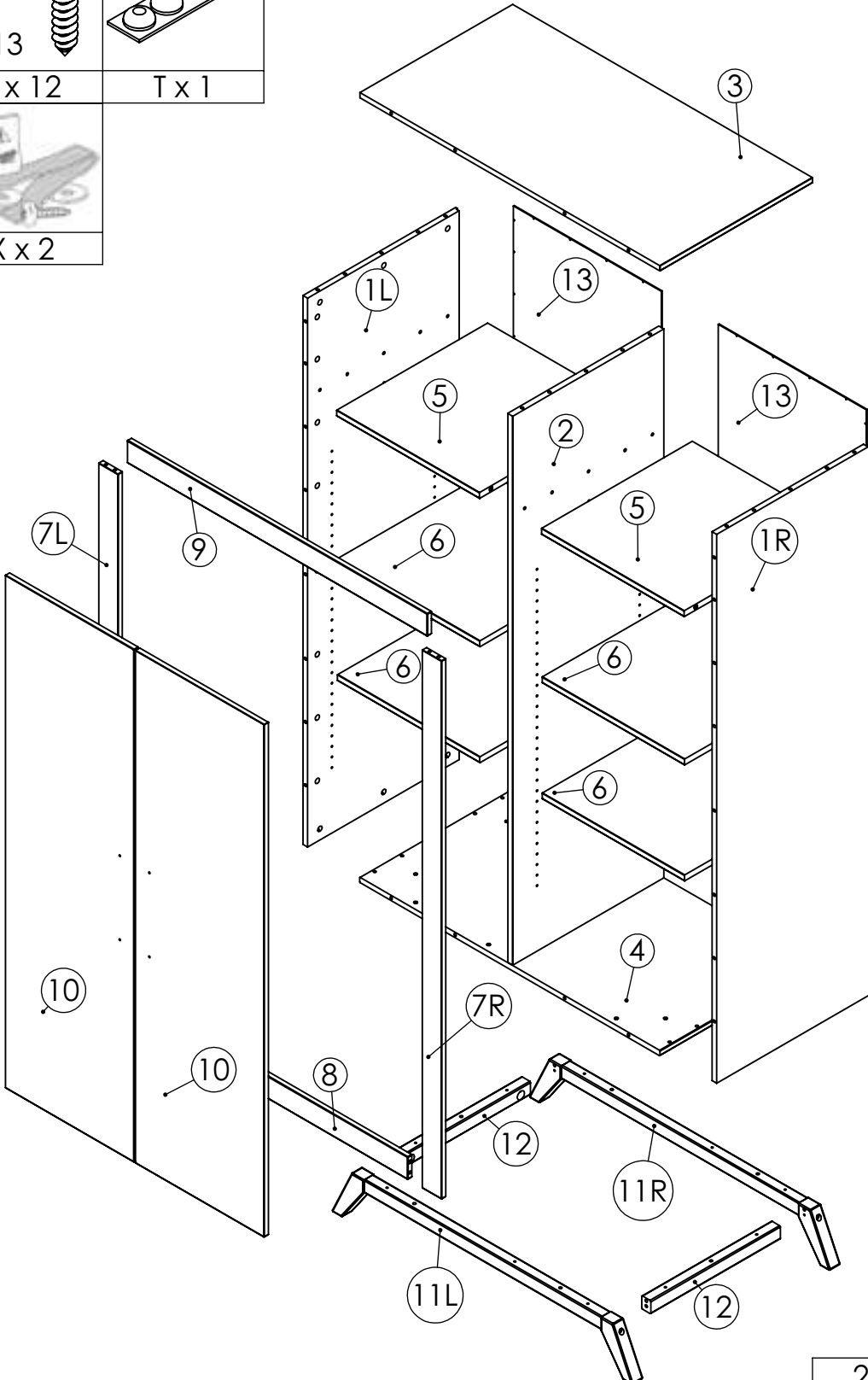

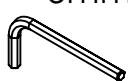

DISTRIBUTOR:
BOPITA
Edisonweg 3, 6662 NW Elst
The Netherlands
www.bopita.com

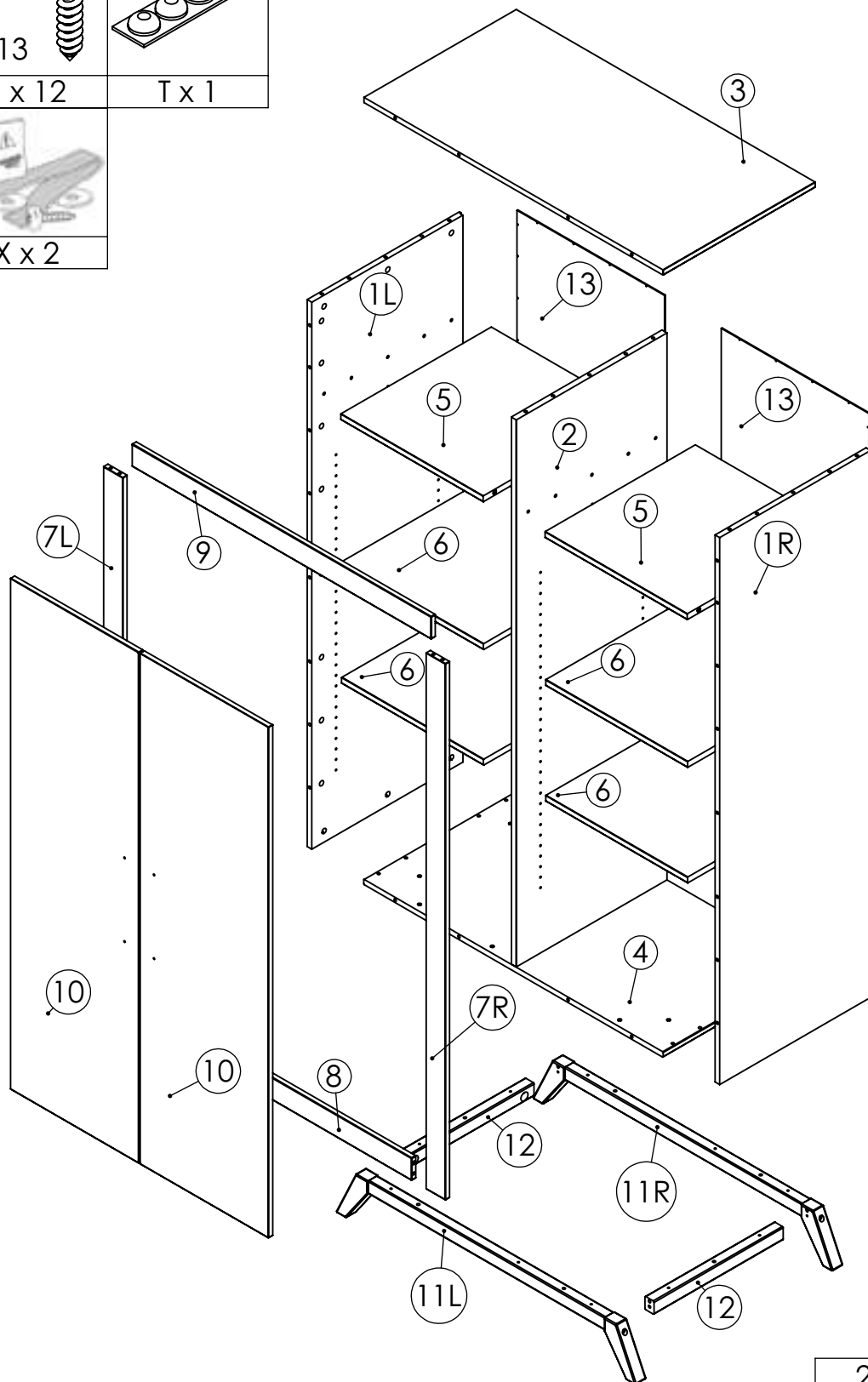


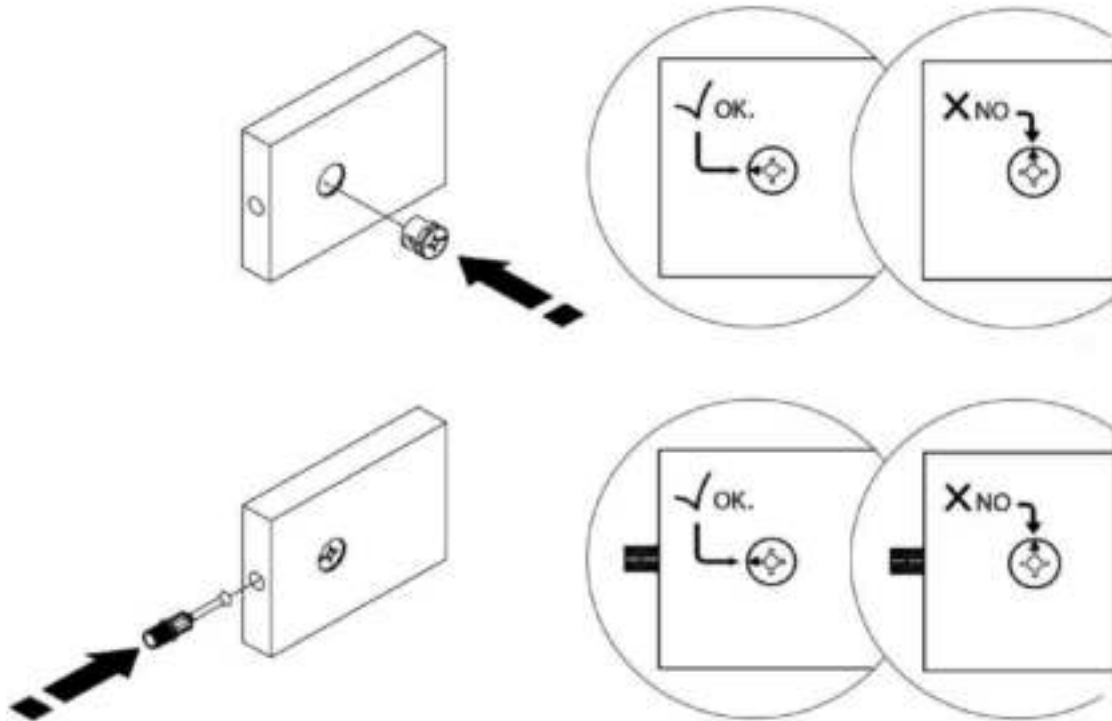
240 min.

FENNA


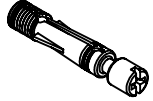

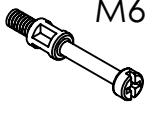
Wardrobe 2 doors

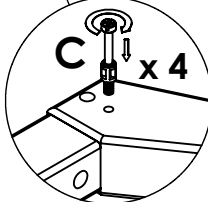
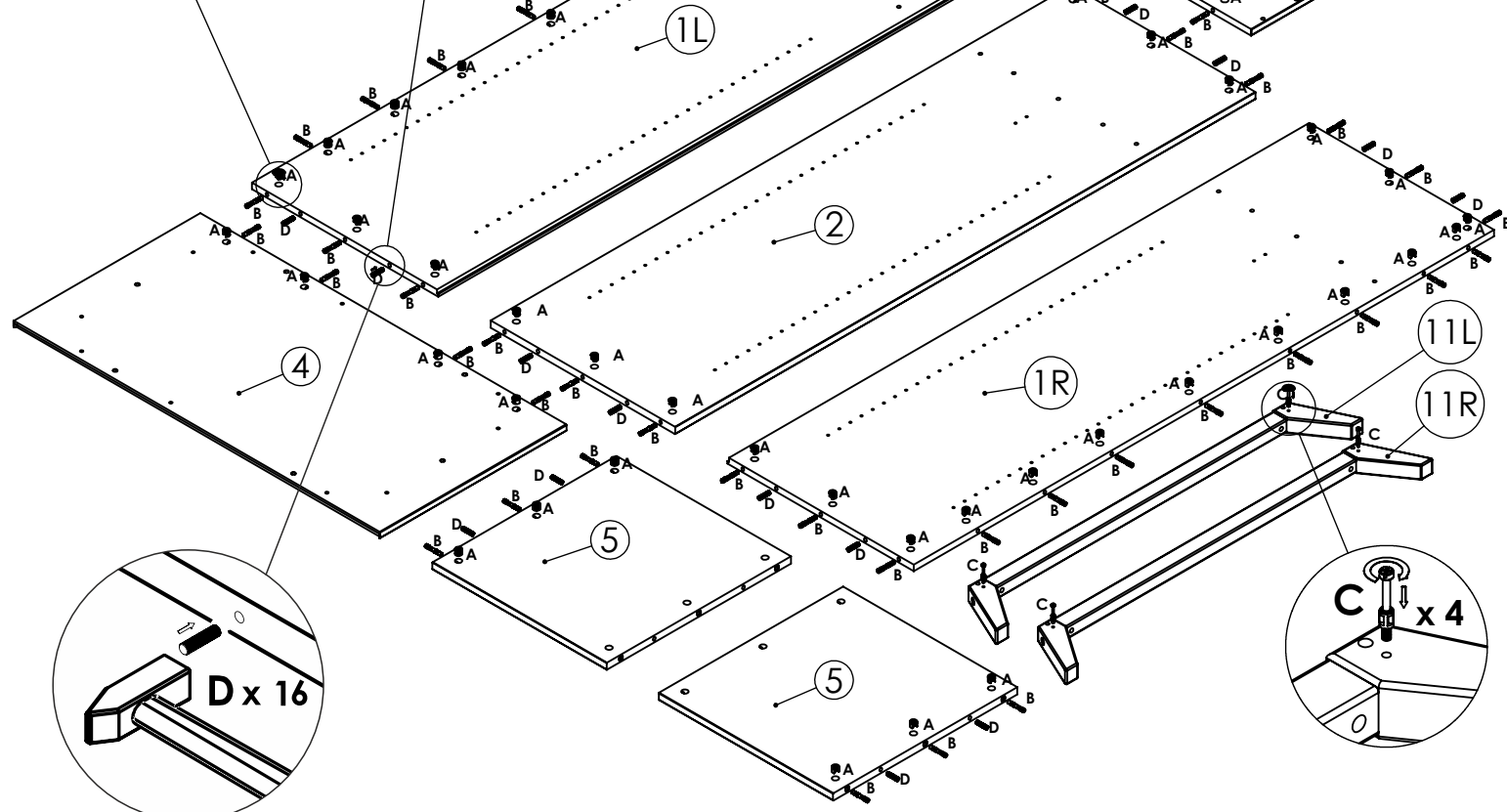
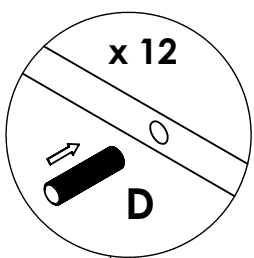
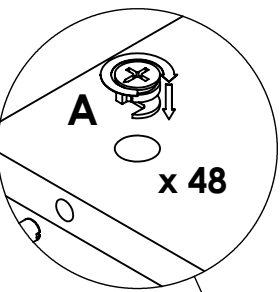
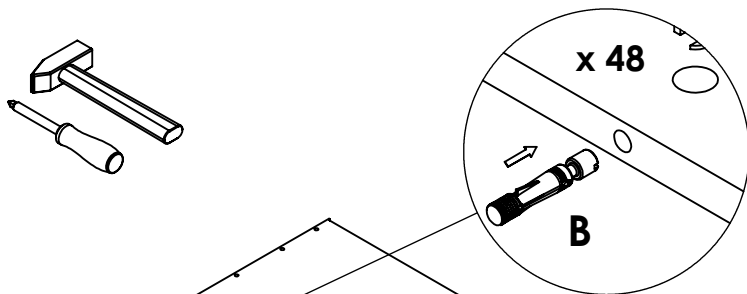
15x10 		M6 	8x30 	7x40 	8x50 	Ø25 	M4x25 
A x 52	B x 52	C x 4	D x 30	E x 10	F x 2	G x 4	H x 4
				2,5x15 		L=493 	
I x 6	J x 6	K x 3	L x 16	M x 50	N x 2	O x 2	P x 4
15x12 		4x13 					
Q x 6	R x 6	S x 12	T x 1				
4mm 	5mm 						
U x 1	W x 1	X x 2					




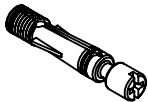

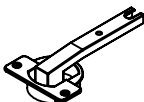
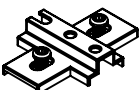



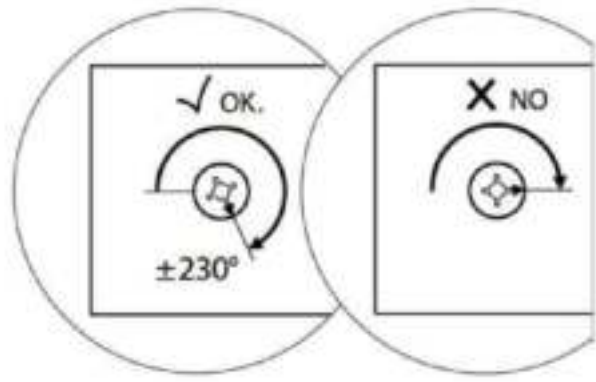
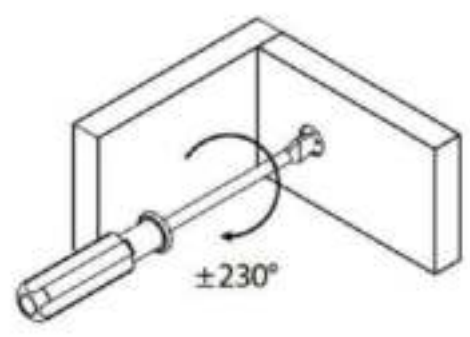
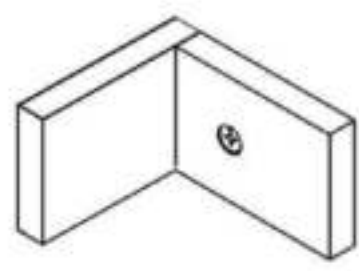
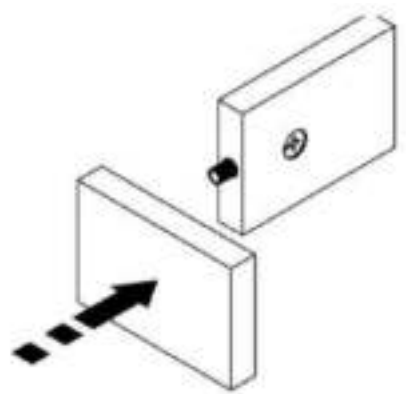
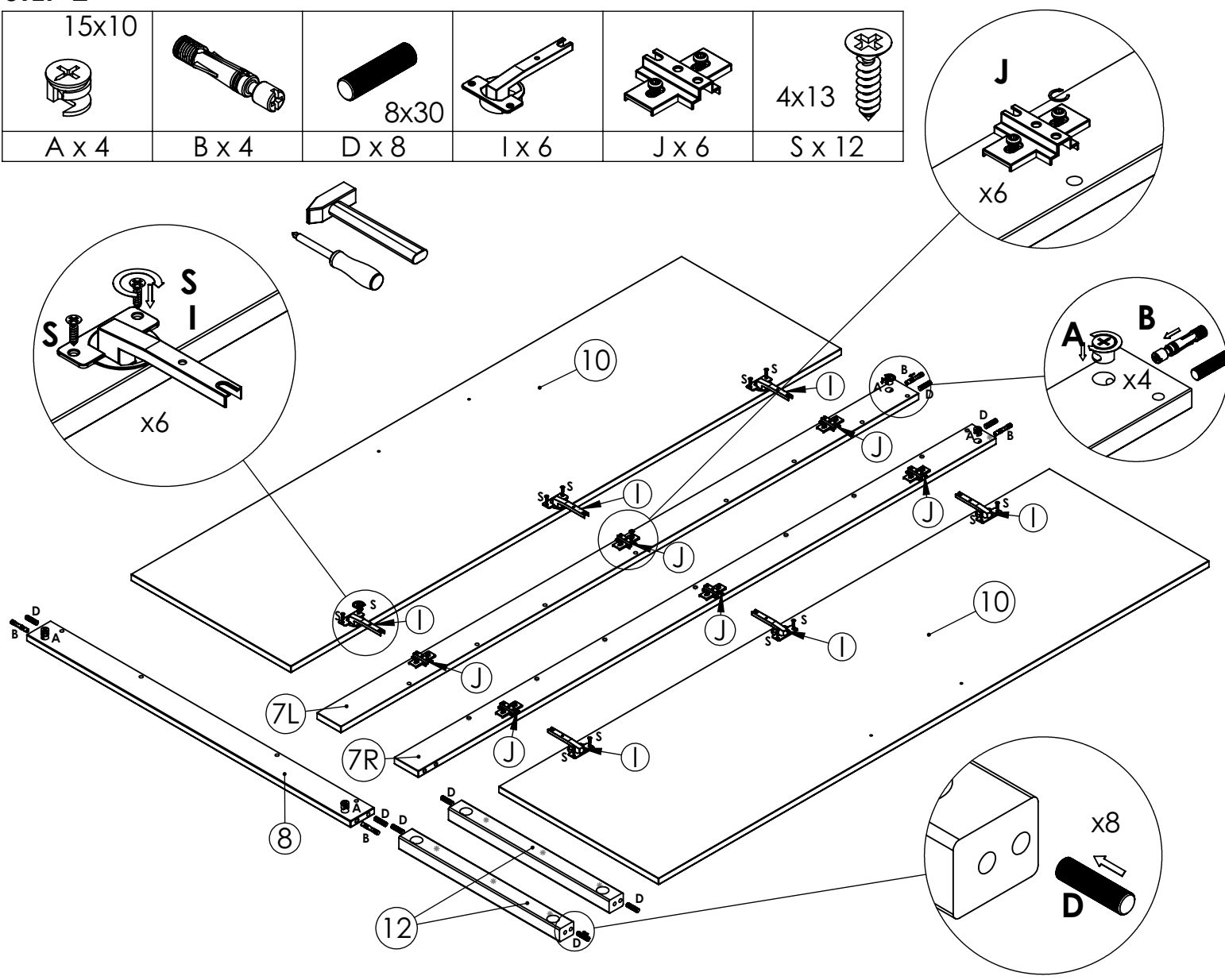
STEP-1

15x10  A x 48	 B x 48	 8x30 D x 16	M6  C x 4
---	---	---	--


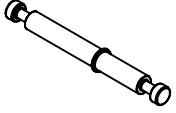



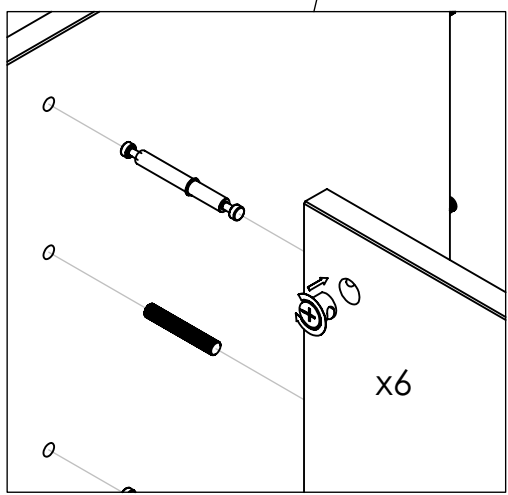
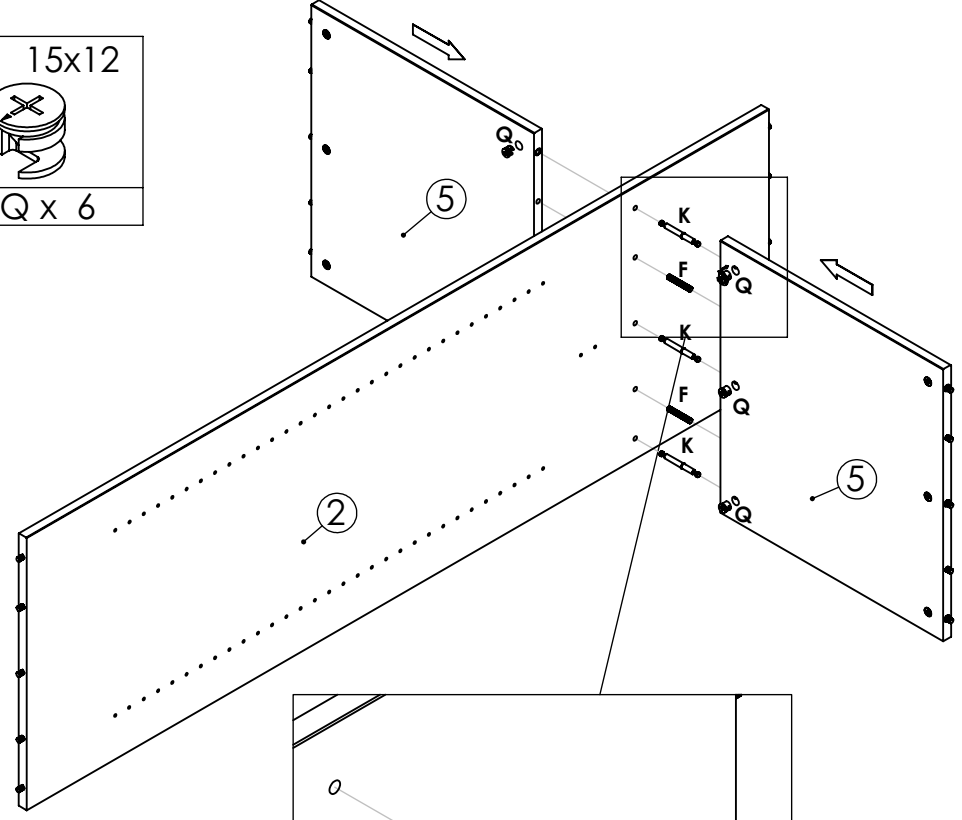
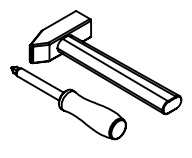
STEP-2

15x10 		8x30 			4x13 
A x 4	B x 4	D x 8	I x 6	J x 6	S x 12

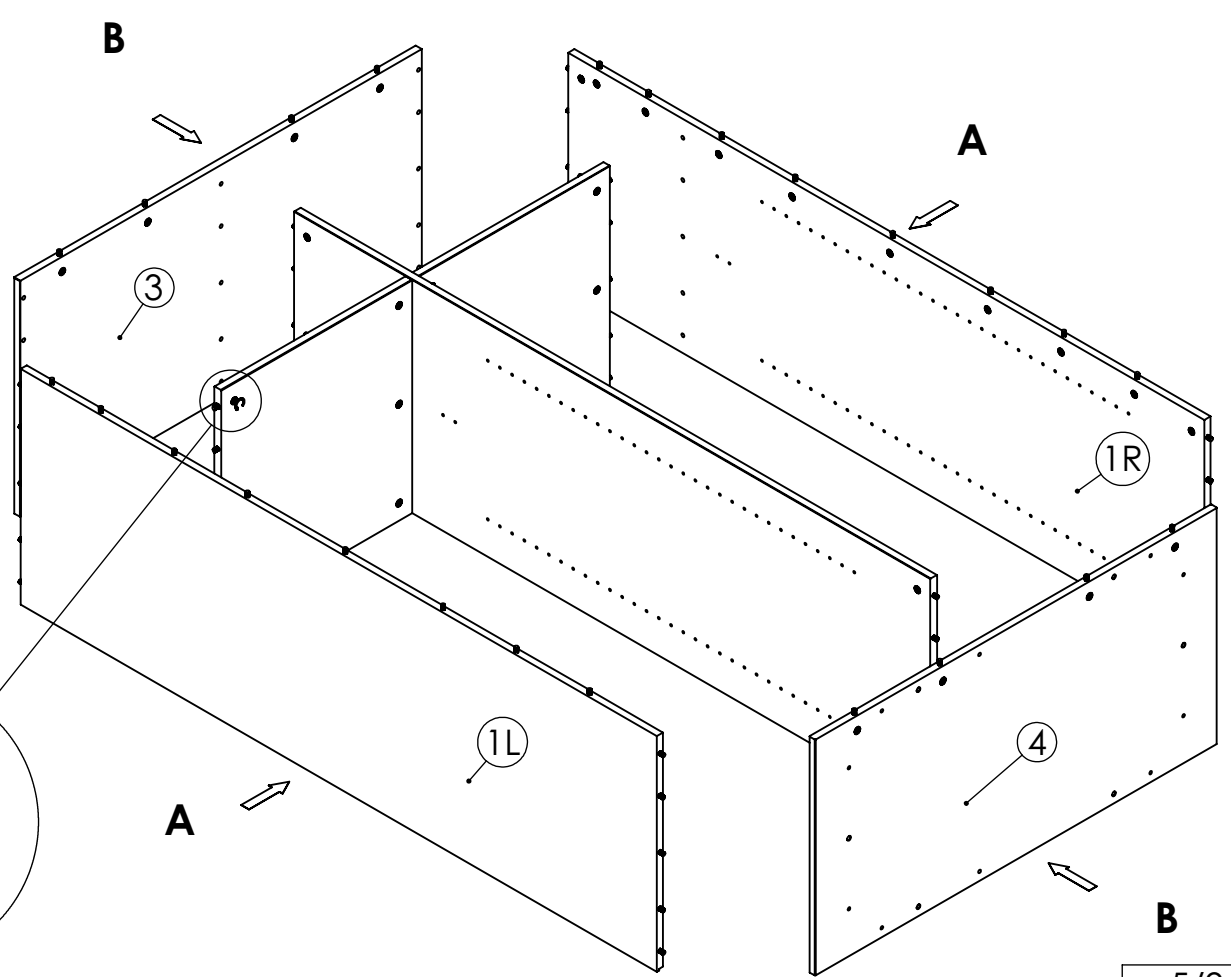
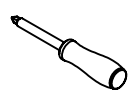


STEP-3

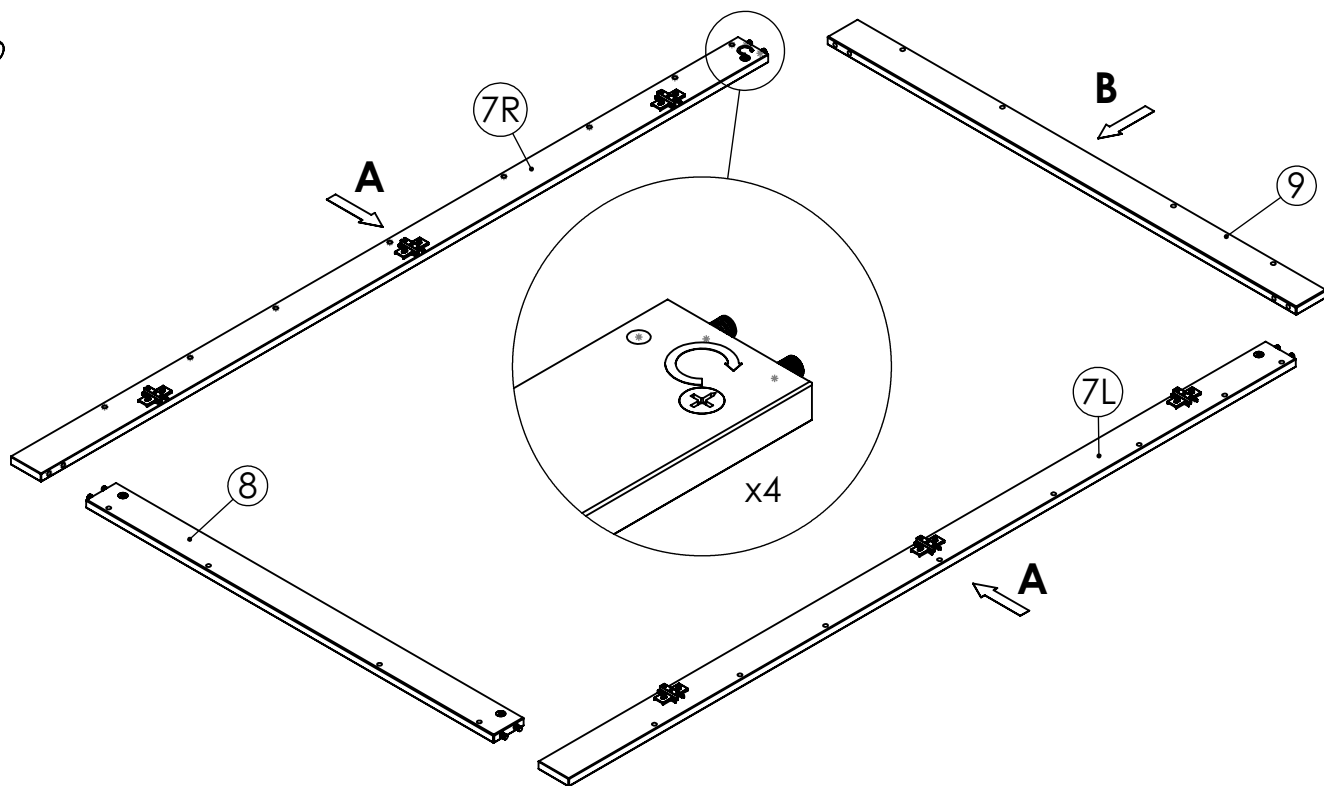
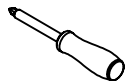
 8x50	 K x 3	 15x12 Q x 6
F x 2	K x 3	Q x 6



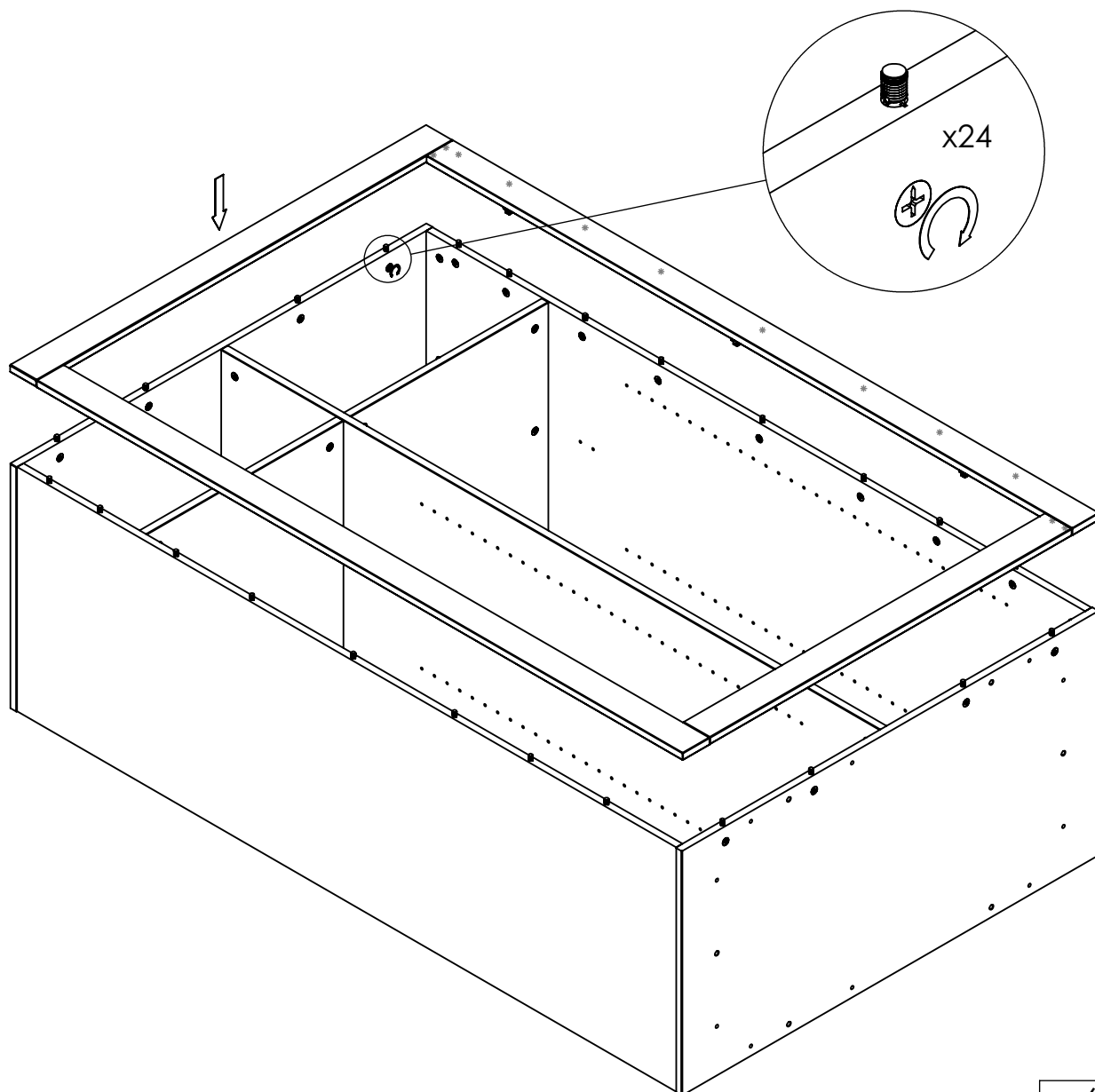
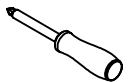
STEP-4-A/B




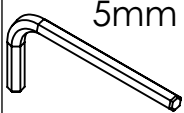

STEP-5-A/B

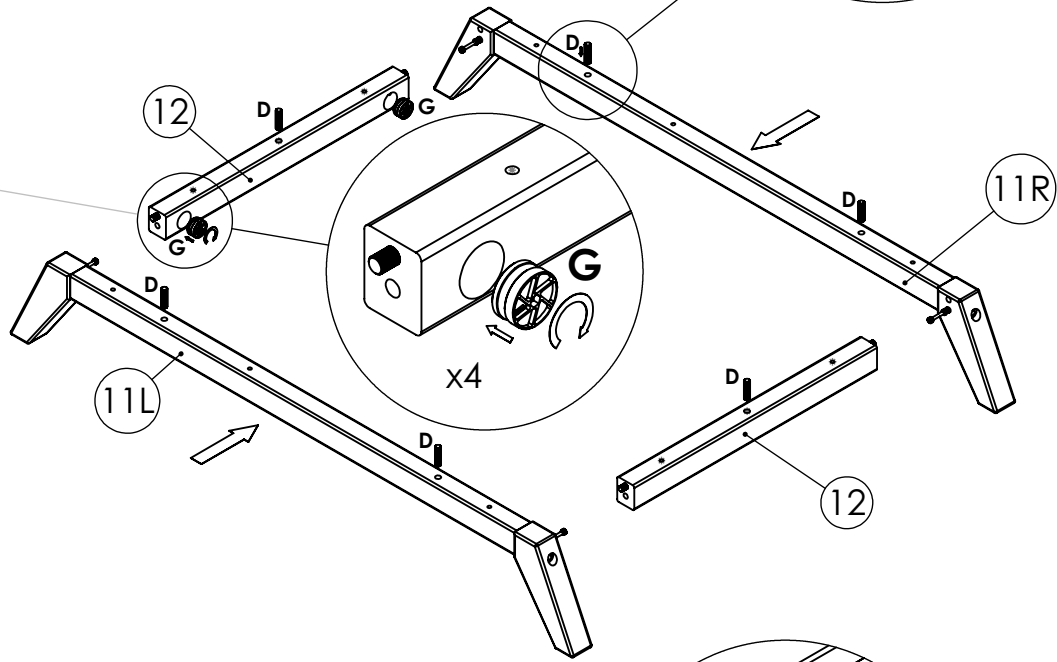
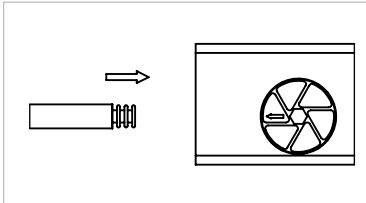
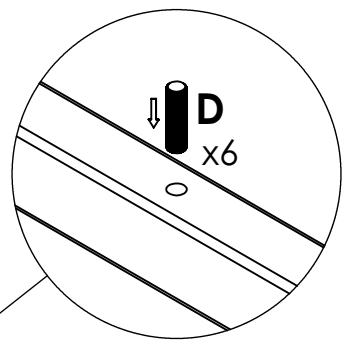
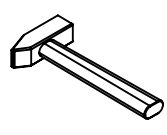


STEP-6

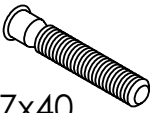
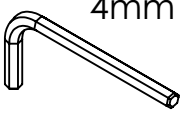


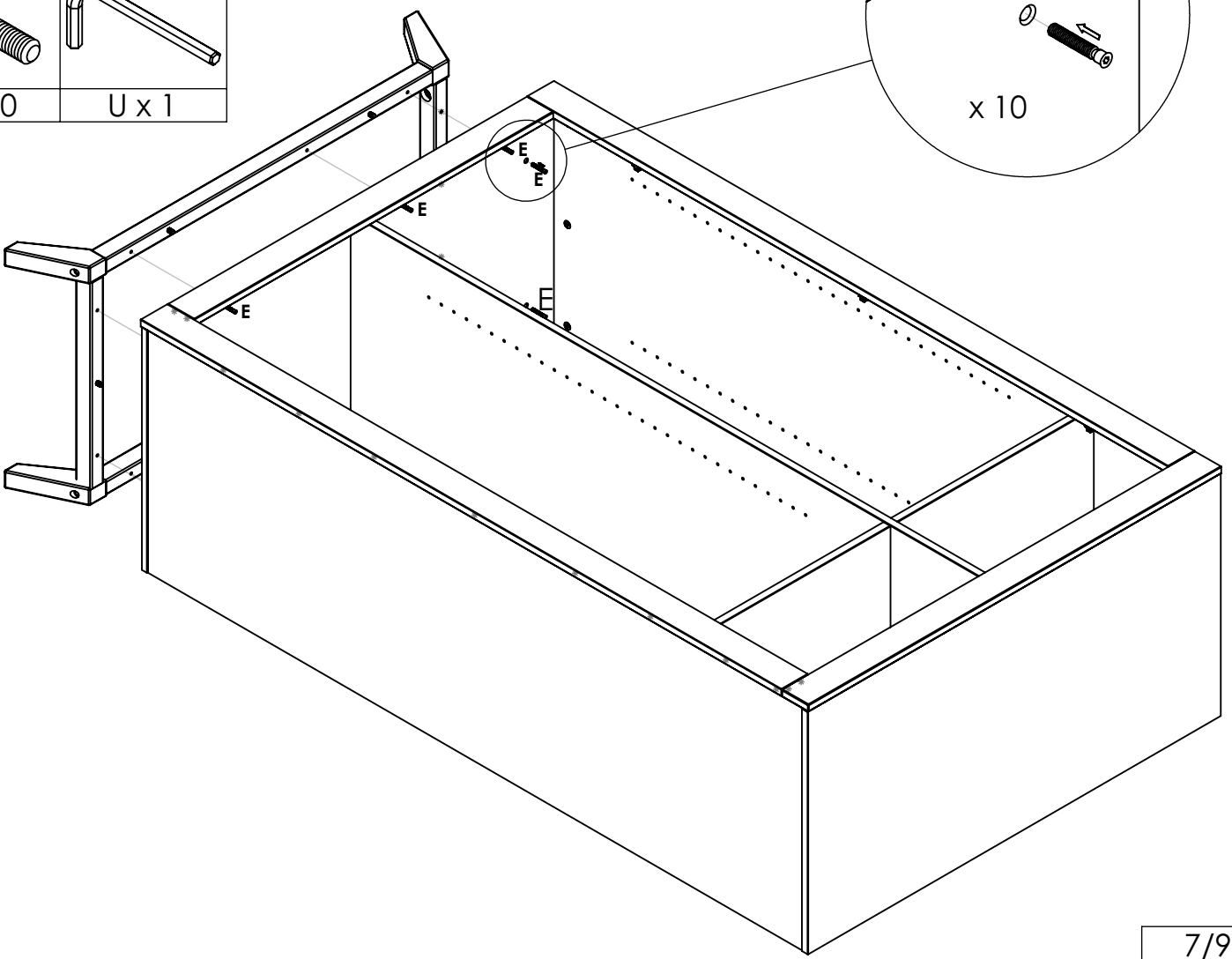
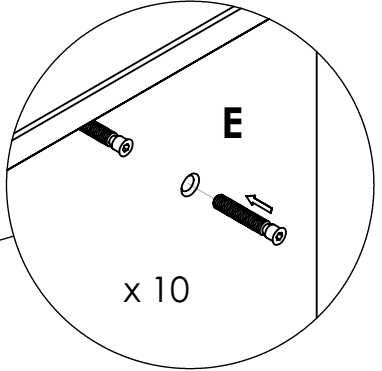
STEP-7

		
8x30	5mm	Ø25
D x 6	W x 1	G x 4





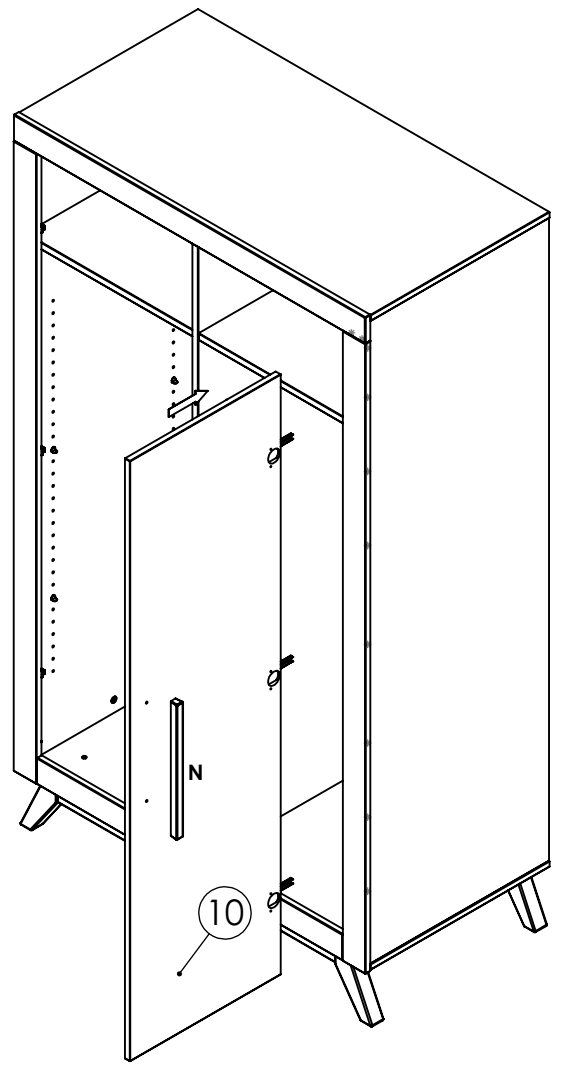
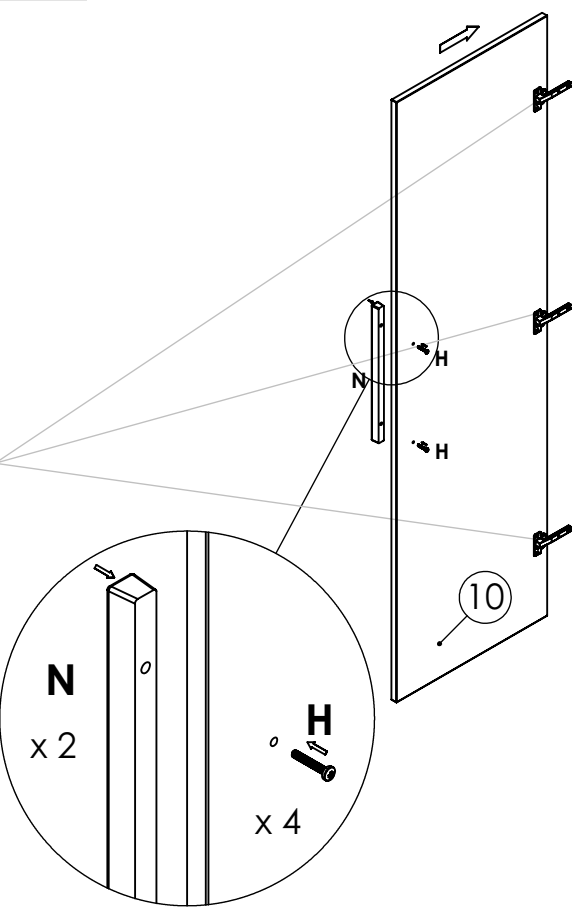
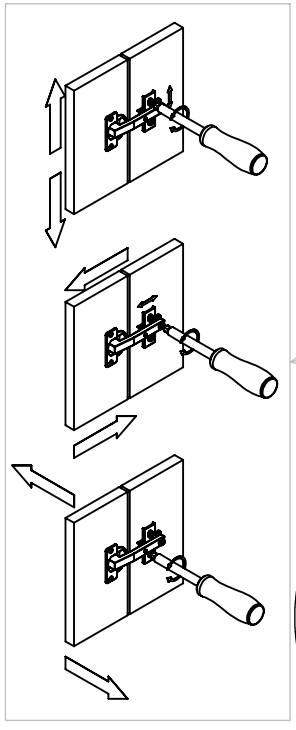
STEP-8

	
7x40	4mm
E x 10	U x 1

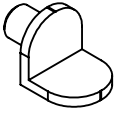
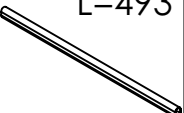

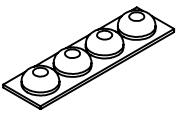


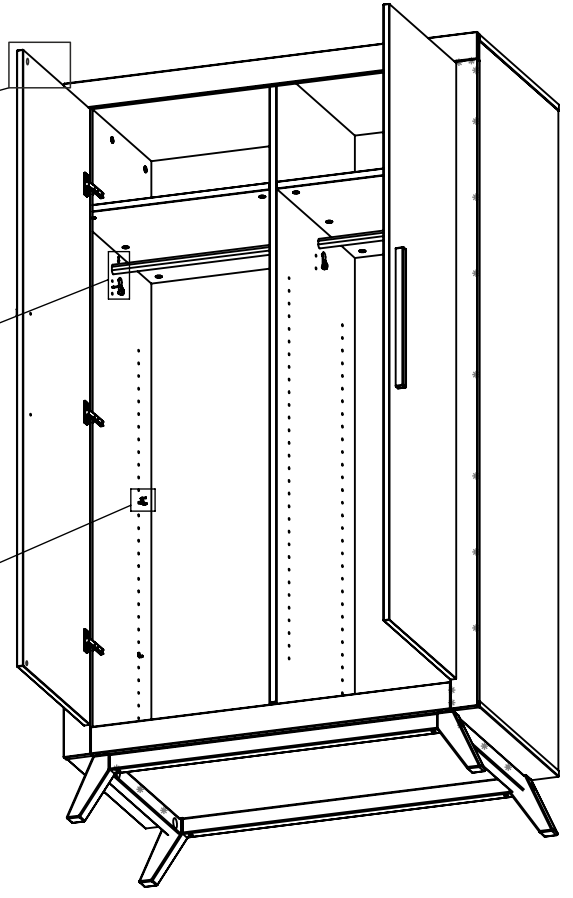
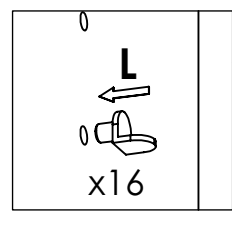
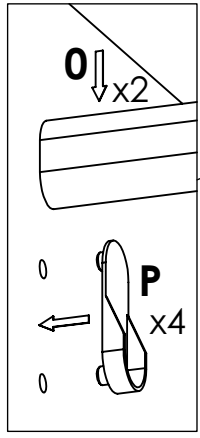
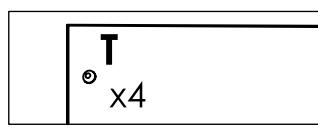
STEP-9

	
N x 2	M4x25 H x 4

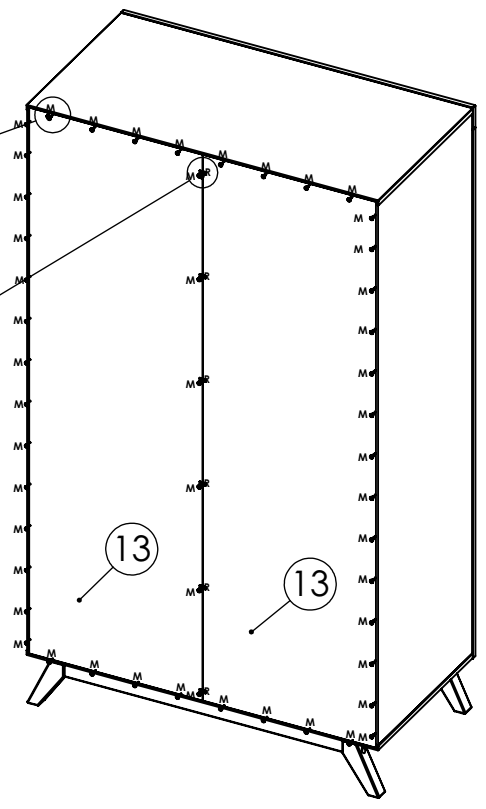
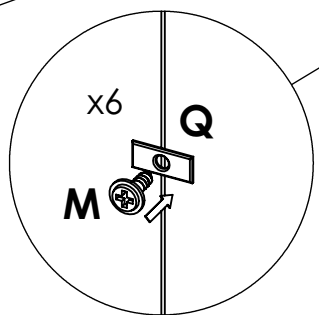
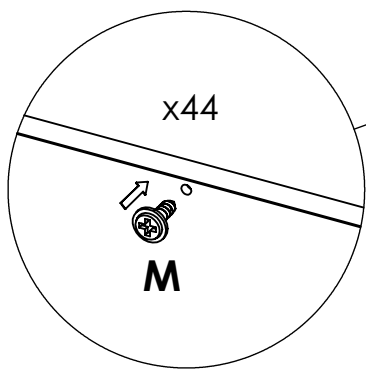
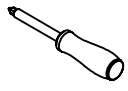
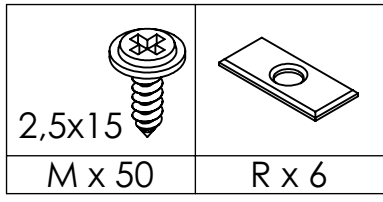


STEP-10

			
L x 16	L=493 O x 2	P x 4	T x 1



STEP-11



STEP-12

