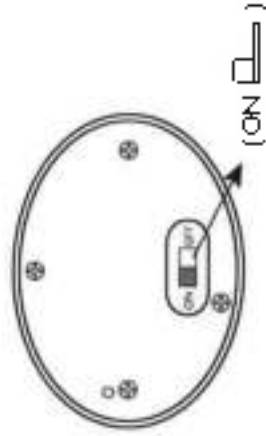


Art. No 479-85,479-86

FIRST USE

STEP 1



STEP 2.



(ON)



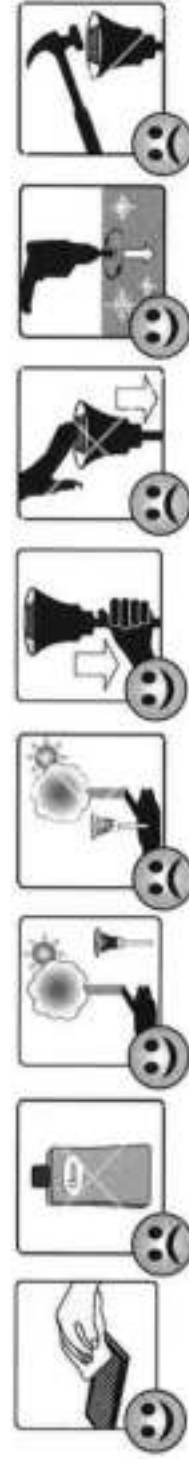
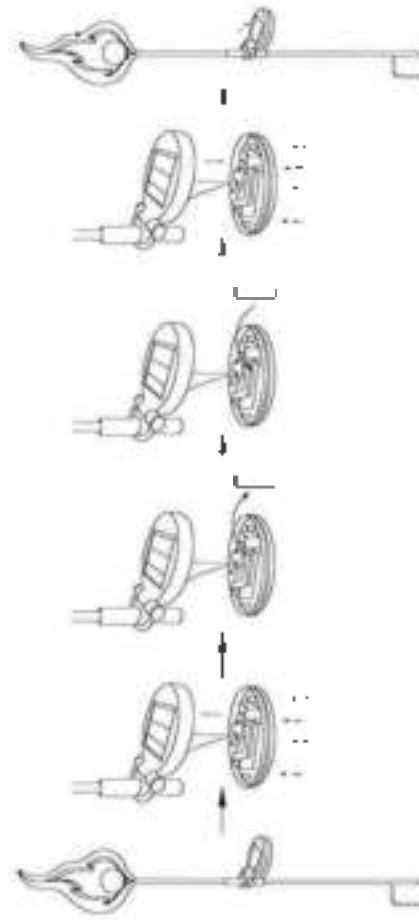
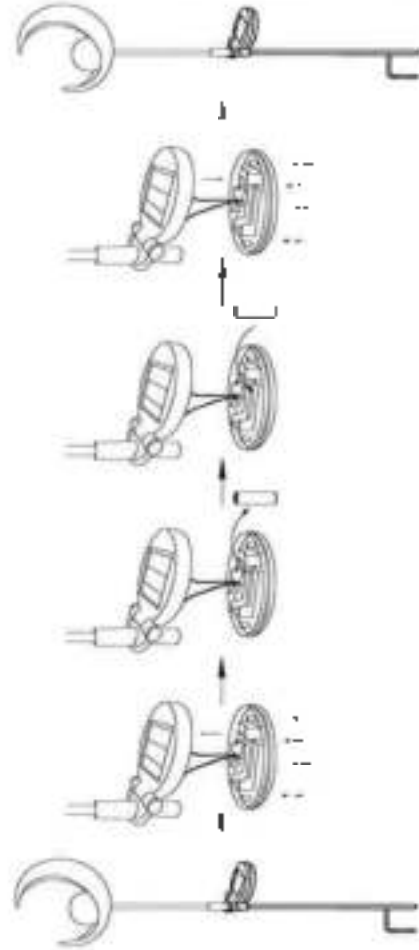
(OFF)

Ready after
36 h in the sun



BATTERY REPLACEMENT 479-85

BATTERY REPLACEMENT 479-86



STAR TRADING

STAR STREET 1
S12 50 SVENLJUNGA
SWEDEN

www.startrading.com