

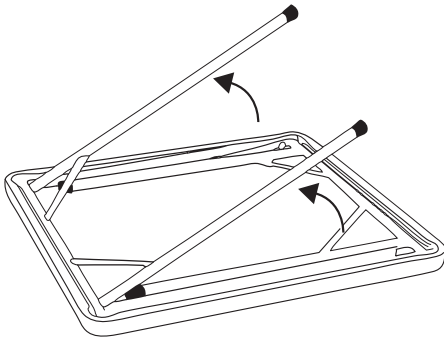
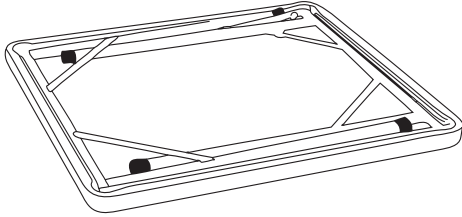



# Assembly Instructions

## Y807 Square Folding Table

### Assembly

1. Place the folding table upside down on a flat surface.
2. Open the legs.
3. When fully open, straighten the leg supports.



 **WARNING: Ensure the joint locks are securely in place before using the table.**

4. Turn the table upright.

 **WARNING: Do not overload the table.**



**BOLERO Telephone Helpline: 0845 146 2887**

**BOLERO, Fourth Way, Avonmouth, United Kingdom, BS11 8TB**

**Y807\_UK\_A5\_v3**