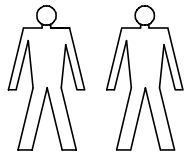
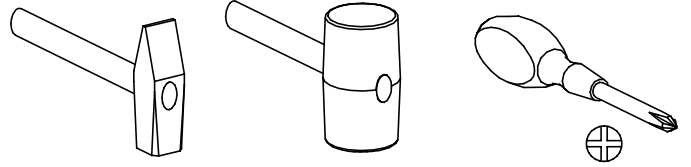


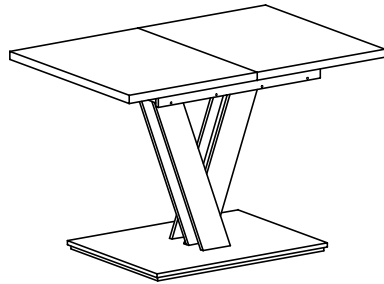
PLEASE READ THE INSTRUCTIONS  
BEFORE ASSEMBLY!



TOOLS NEEDED FOR ASSEMBLY

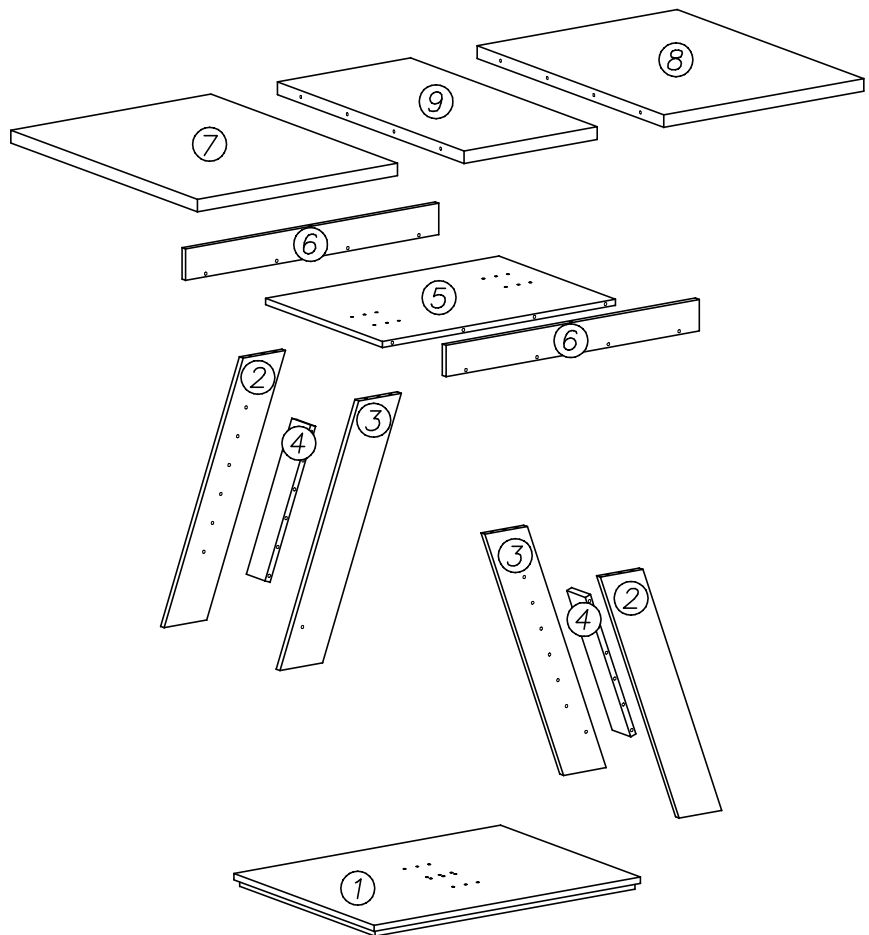





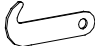
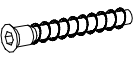


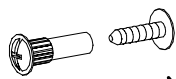


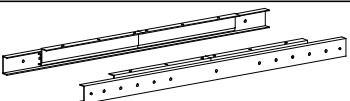

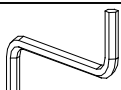
# STÓŁ MASIW



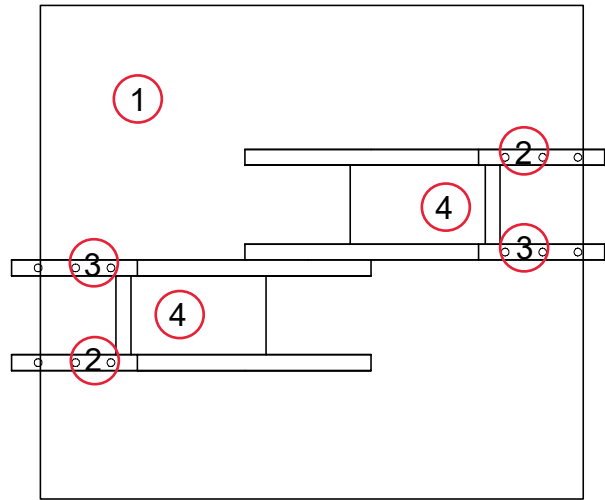
IMPORTANT INFORMATION:

1) REMOVE THE PROTECTIVE FOIL IF THE  
TABLE IS IN HIGH GLOSS

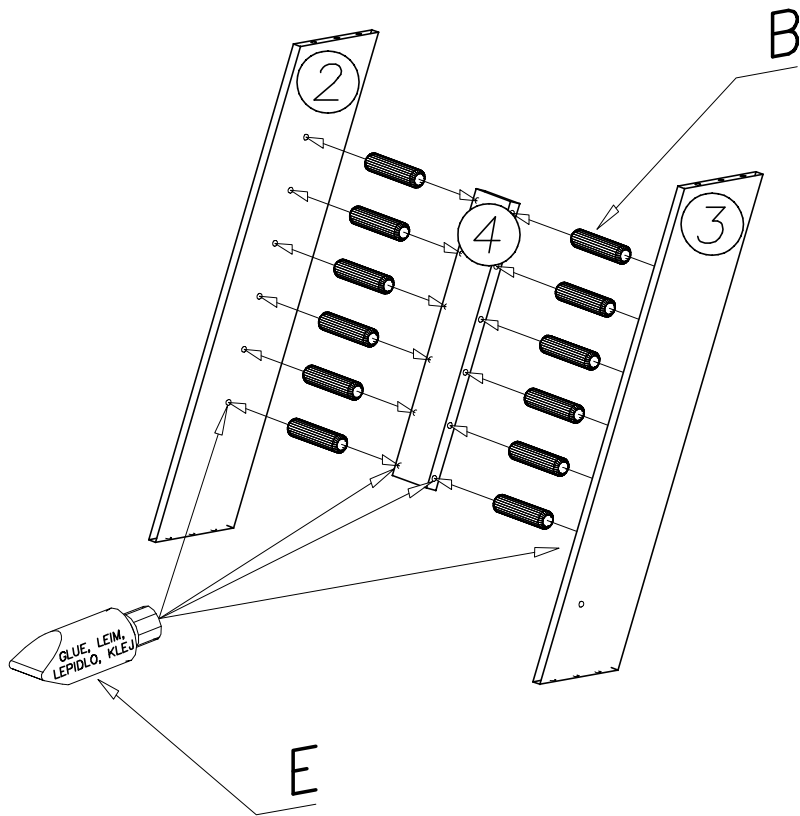


L	 x2	M	 7 x 50 x20
G	 x10	H	 x4
A	 7 x 70 x12	B	 8 x 30 x24
C	 x4	D	 x1
		I	 4 x 15 x8
		J	 6,3 x 13 x30
		K	 x1
		E	 GLUE, LEIM, LEPIDLO, LIM x1
		F	 x1

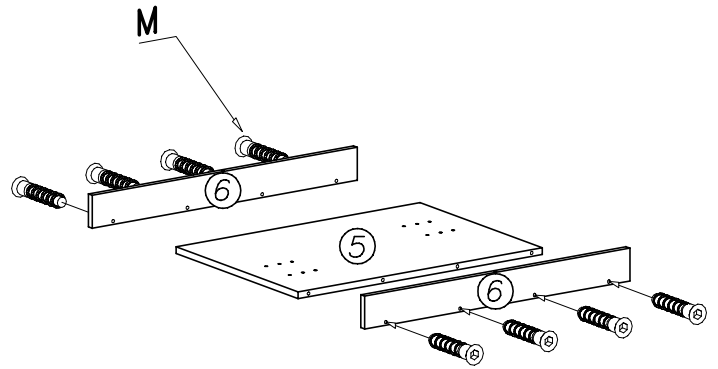
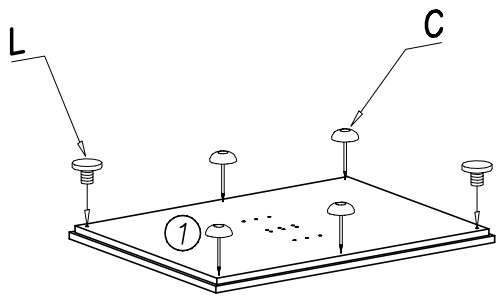
1



x2

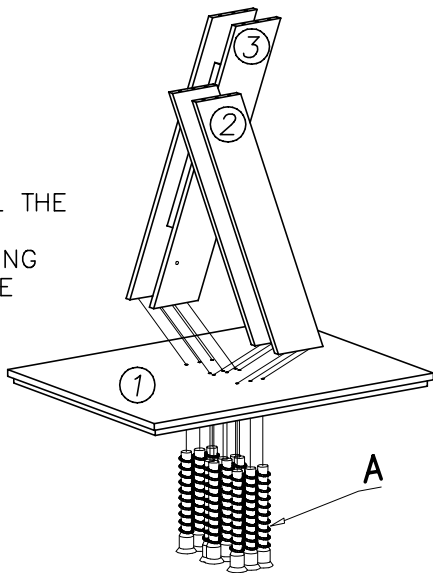


II



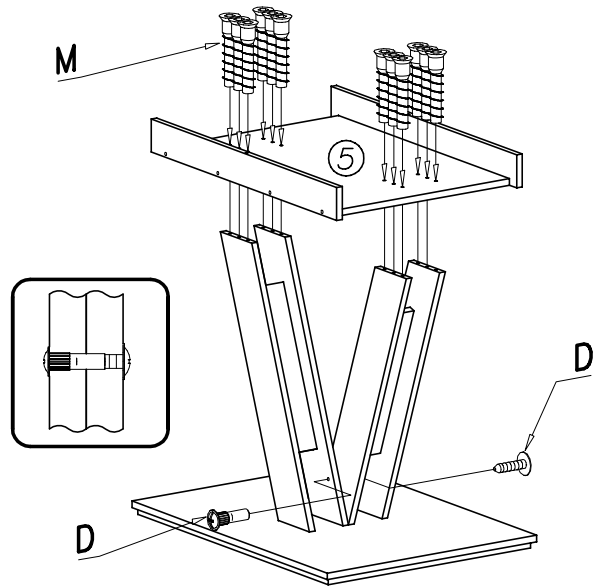
III

LOOSELY INSTALL THE SCREWS AND WASHERS SECURING THE LEGS TO THE TABLE BASE



IV

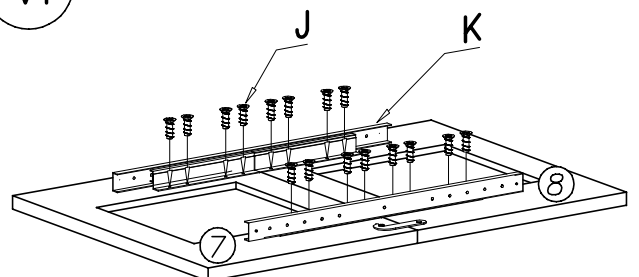
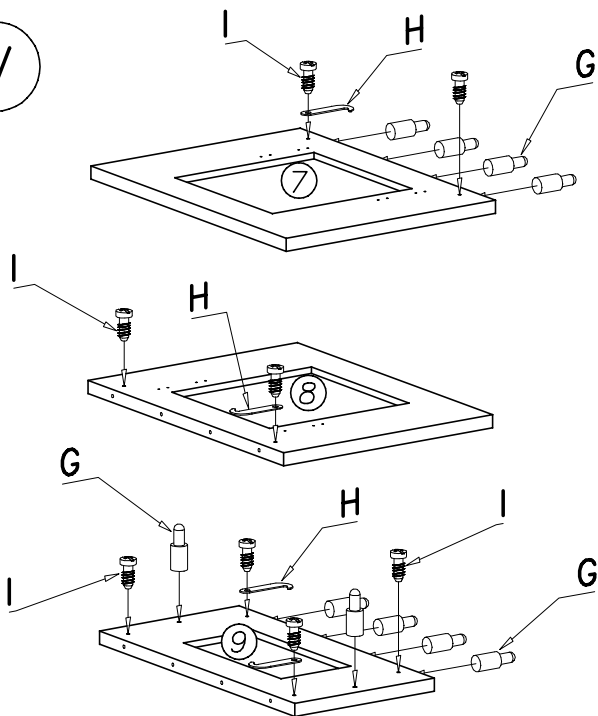
LOOSELY INSTALL THE SCREWS AND WASHERS SECURING THE LEGS TO THE TABLE TOP



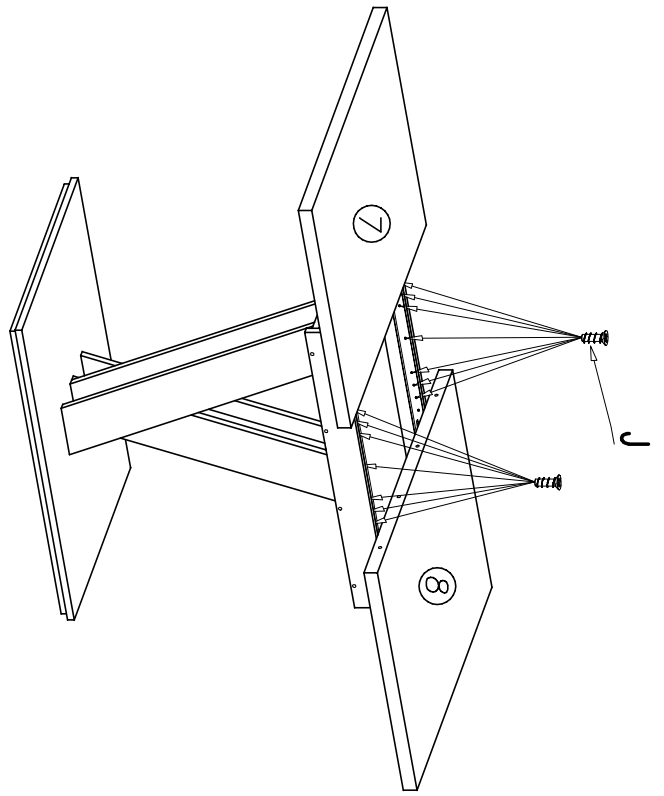
V

AFTER THIS STEP TIGHTEN ALL SCREWS

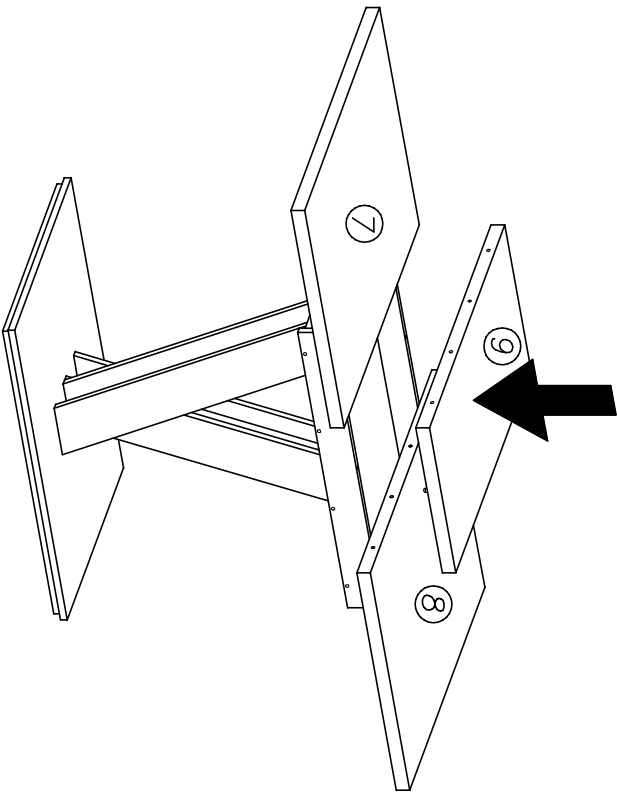
VI



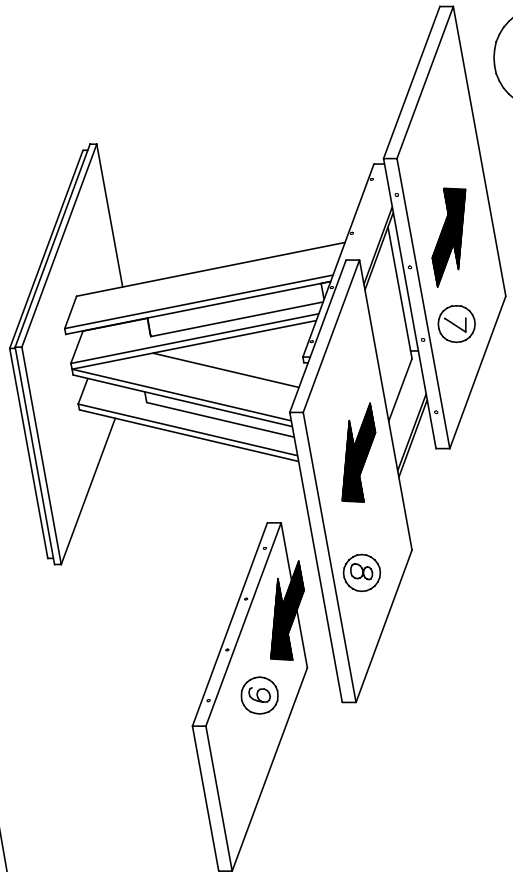
VII



IX



VIII



X

