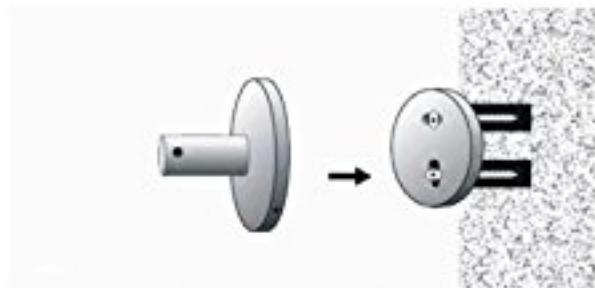




1. Drill the holes after measuring the location of installation holes.



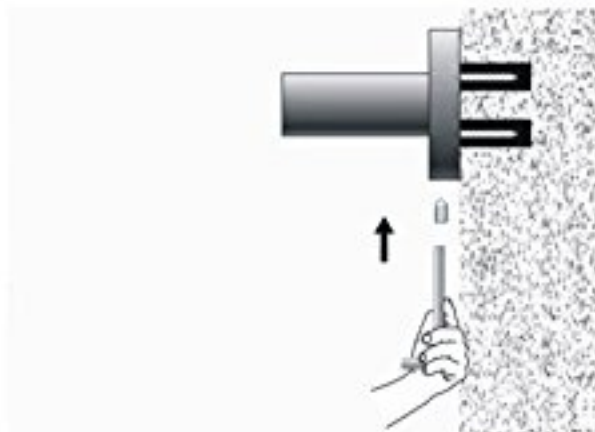
4. Attach the post onto the base plate.



2. Using a hammer to insert the anchor onto the solid wall.



3. Putting the base plate over the anchor, then insert the screws with a screwdriver.



5. Using a hex wrench to tighten the screws to finish the installation.