



Safety Instructions

1,2,3,4,5,6,7,9,10,12,13,16,19,
20,21,22,24,28,29,31,32,33,34



31.08.2021

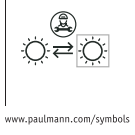


A++ - A

01.09.2021



G



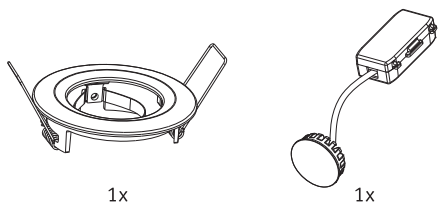
Paulmann Licht GmbH
Quezinger Feld 2
31832 Springe
Germany



Art.-Nr.: 938.69/938.70/938.71
938.72/938.73/938.74
938.88/938.89/938.90
938.91/938.92/938.93
938.94/938.95/939.00
939.01
(+MA326)PBO 03/22

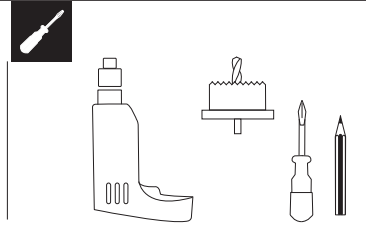


938.69
938.71
938.72
939.00

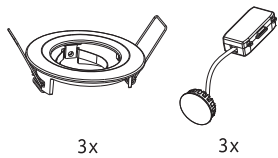


1x 1x

Incl.



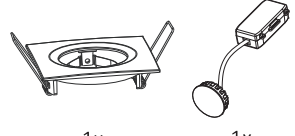
938.70
938.73
938.74
939.01



3x 3x

Incl.

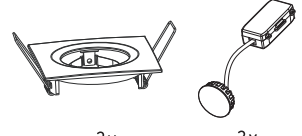
938.88
938.91
938.92
938.94



1x 1x

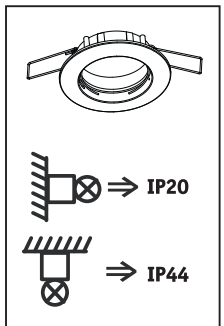
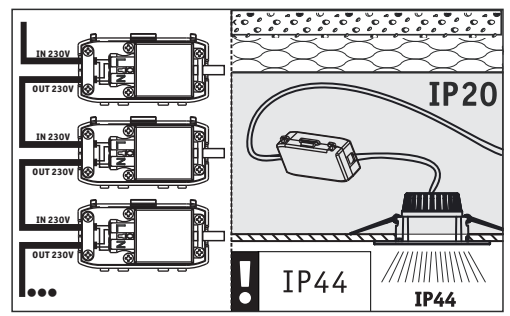
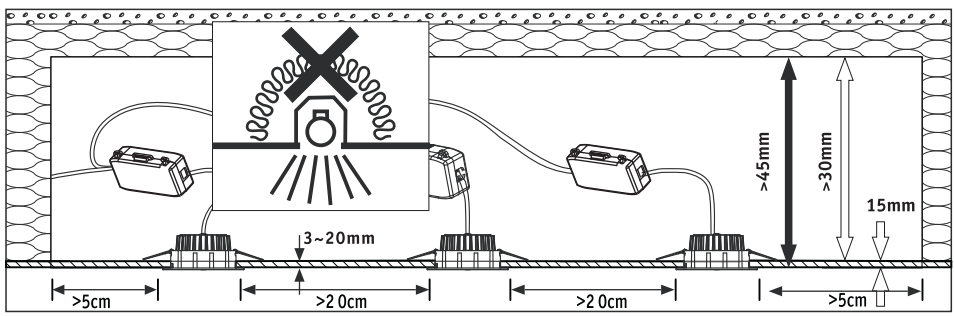
Incl.

938.89
938.90
938.93
938.95



3x 3x

Incl.



A Safety Instructions Nr. 5, 7
off
68mm
www.paulmann.com

