

BATAVIA

# MAXXSPRAY

## Paint sprayer

Farbsprühsystem

Pistolet à peinture

Verfspuitsysteem

Spruzzatore di vernice

Rociador de pintura

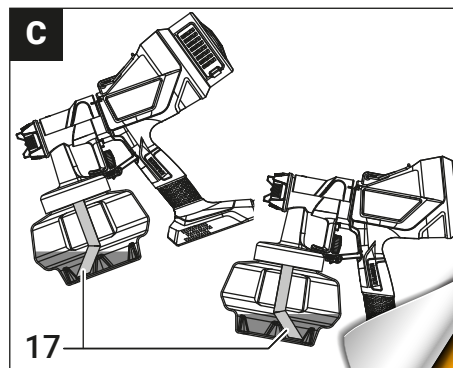
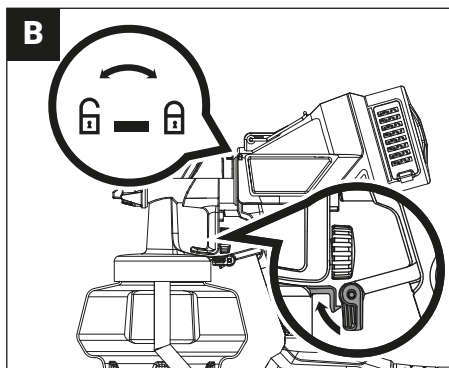
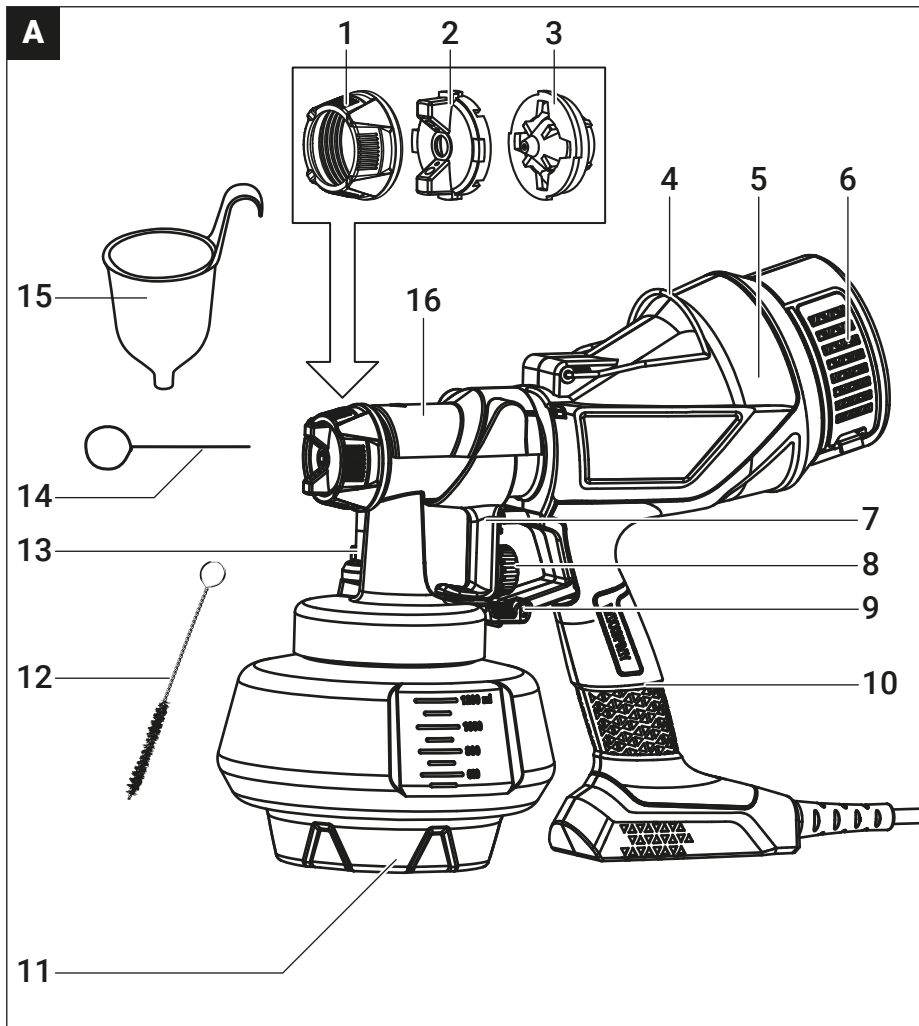
Pulverizador de tinta

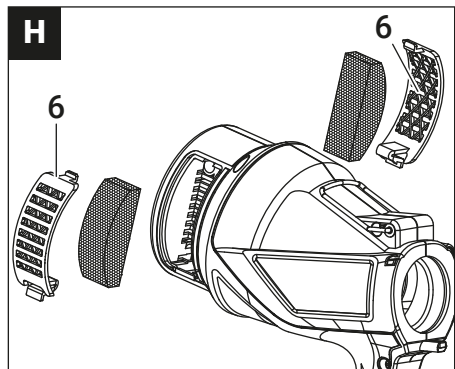
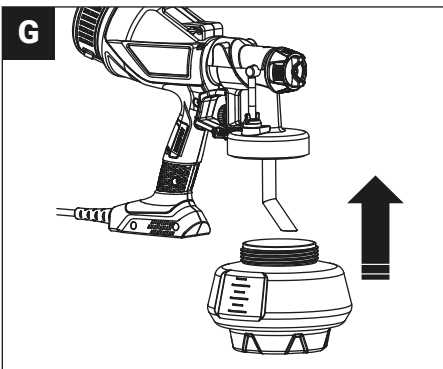
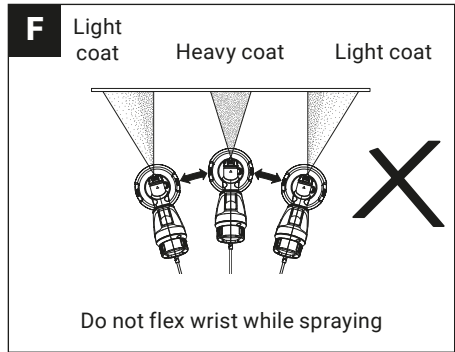
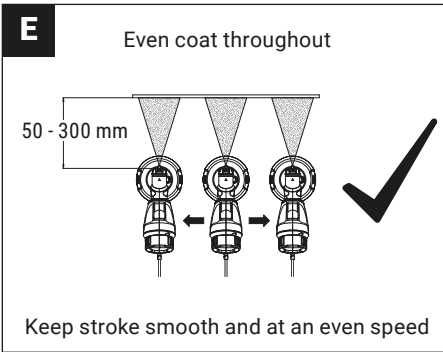
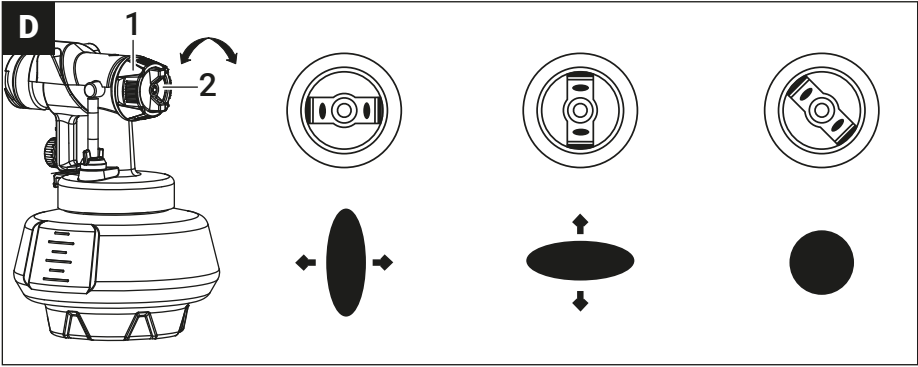
System do rozpylania farby



Operating instructions  
Bedienungsanleitung (Original)  
Mode d'emploi  
Gebruiksaanwijzing  
Istruzioni di funzionamento  
Manual de usuario  
Instruções de funcionamento  
Instrukcja

Model: BT-PSG013  
Item-No.: 7063912  
[www.batavia.eu](http://www.batavia.eu)





## Overview

1. Nut
2. Air cap
3. Nozzle ( $\Phi 1.5\text{mm}/\Phi 2.0\text{mm}/\Phi 2.5\text{mm}/\Phi 3.0\text{mm}$ )
4. Hook
5. Spray unit housing
6. Filter housing
7. Trigger
8. Material adjustment knob
9. Quick release lock
10. Handle
11. Container
12. Cleaning brush
13. Check valve sleeve
14. Cleaning needle
15. Viscosity cup
16. Spray gun
17. Suction tube

## Übersicht

1. Mutter
2. Luftkappe
3. Düse ( $\text{Ø } 1,5 \text{ mm}/\text{Ø } 2,0 \text{ mm}/\text{Ø } 2,5 \text{ mm}/\text{Ø } 3,0 \text{ mm}$ )
4. Haken
5. Gehäuse der Sprüheinheit
6. Filtergehäuse
7. Triggerschalter
8. Materialeinstellknopf
9. Schnellverschluss
10. Führungsholm
11. Behälter
12. Reinigungsbürste
13. Absperrventilhülse
14. Reinigungsnadel
15. Viskositätsprüfbecher
16. Spritzpistole
17. Ansaugrohr

## Aperçu

1. Écrou
2. Capuchon d'entrée d'air
3. Buse ( $\Phi 1,5 \text{ mm}/\Phi 2,0 \text{ mm}/\Phi 2,5 \text{ mm}/\Phi 3,0 \text{ mm}$ )
4. Crochet
5. Boîtier de l'unité de pulvérisation
6. Boîtier du filtre
7. Gâchette
8. Molette de réglage du produit
9. Verrou de déblocage rapide
10. Poignée
11. Réservoir
12. Brosse de nettoyage
13. Contrôle du manchon de vanne
14. Aiguille de nettoyage
15. Coupe de viscosité
16. Pistolet de pulvérisation
17. Tube d'aspiration

## Overzicht

1. Moer
2. Luchtklep
3. Mondstuk ( $\Phi 1,5 \text{ mm}/\Phi 2 \text{ mm}/\Phi 2,5 \text{ mm}/\Phi 3 \text{ mm}$ )
4. Haak
5. Behuizing spray-eenheid
6. Filter behuizing
7. Trekker
8. Knop materiaalaanpassing
9. Snelkoppelingsvergrendeling
10. Handgreep
11. Container
12. Reinigingsborstel
13. Controle ventielhuls
14. Reinigingsnaald
15. Viscositeitsbeker
16. Spuitpistool
17. Zuigbuis

## Panoramica

1. Dado
2. Tappo di regolazione dell'aria
3. Beccuccio ( $\Phi$  1,5 mm /  $\Phi$  2,0 mm /  $\Phi$  2,5 mm /  $\Phi$  3,0 mm)
4. Gancio
5. Alloggiamento unità di spruzzatura
6. Alloggiamento del filtro
7. Grilletto
8. Manopola di regolazione del materiale
9. Blocco a sgancio rapido
10. Impugnatura
11. Contenitore
12. Scovolino
13. Manicotto della valvola di ritegno
14. Ago per la pulizia
15. Coppa di misurazione della viscosità
16. Pistola a spruzzo
17. Tubo di aspirazione

## Resumen

1. Tuerca
2. Soporte de boquilla de aire
3. Boquilla (de 1,5 mm, 2,0 mm, 2,5 mm y 3,0 mm de diámetro)
4. Gancho
5. Carcasa de la unidad de pulverización
6. Carcasa del filtro
7. Gatillo
8. Botón de ajuste del material
9. Cierre de apertura rápida
10. Empuñadura
11. Depósito
12. Cepillo de limpieza
13. Casquillo de la válvula de control
14. Aguja de limpieza
15. Vaso medidor de la viscosidad
16. Pistola pulverizadora
17. Tubo de succión

## Visão geral

1. Porca
2. Suporte para bico de ar
3. Bico ( $\Phi$ 1,5 mm/ $\Phi$ 2,0 mm/ $\Phi$ 2,5 mm/ $\Phi$ 3,0 mm)
4. Gancho
5. Caixa da unidade pulverizadora
6. Caixa do filtro
7. Gatilho
8. Botão de ajuste de produto
9. Bloqueio de libertação rápida
10. Manípulo
11. Recipiente
12. Escova de limpeza
13. Manga da válvula de retenção
14. Agulha de limpeza
15. Copo de viscosidade
16. Pistola pulverizadora
17. Tubo de sucção

## Przegląd

1. Nakrętka
2. Pokrywka dyszy
3. Dysza ( $\Phi$ 1,5 mm/ $\Phi$ 2,0 mm/ $\Phi$ 2,5 mm/ $\Phi$ 3,0 mm)
4. Zaczep
5. Obudowa jednostki natryskującej
6. Obudowa filtra
7. Spust
8. Pokrętło regulacji przepływu
9. Blokada
10. Uchwyt
11. Pojemnik
12. Szczoteczka czyszcząca
13. Kołnierz zaworu kontrolnego
14. Igła czyszcząca
15. Pojemnik do sprawdzania lepkości
16. Pistolet natryskowy
17. Rurka zasysająca

## Contents

1. Explanation of the symbols . . . . .	6
2. General power tool safety warnings . . . . .	6
3. Additional safety warnings for electric spray guns . . . . .	8
4. Important electrical information . . . . .	9
5. Before the first use . . . . .	9
6. Contents of packing . . . . .	9
7. Intended use . . . . .	9
8. Assembly . . . . .	9
9. Cleaning the spray gun . . . . .	11
10. Maintenance . . . . .	11
11. Troubleshooting . . . . .	11
12. Technical data. . . . .	13
13. Disposal . . . . .	13
14. EC-Declaration of conformity . . . . .	13

## Inhaltsverzeichnis

1. Erläuterung der Symbole . . . . .	14
2. Allgemeine Sicherheitshinweise für Elektrowerkzeuge. . . . .	14
3. Zusätzliche Sicherheitshinweise für elektrische Spritzpistolen . . . . .	16
4. Wichtige elektrische Hinweise . . . . .	17
5. Vor dem ersten Gebrauch . . . . .	18
6. Lieferumfang . . . . .	18
7. Bestimmungsgemäße Verwendung . . . . .	18
8. Montage . . . . .	18
9. Spritzpistole reinigen. . . . .	20
10. Wartung . . . . .	20
11. Fehlerbehebung . . . . .	21
12. Technische daten. . . . .	22
13. Entsorgung . . . . .	22
14. EG-Konformitätserklärung . . . . .	22

## Table des matières

1. Explication des symboles . . . . .	23
2. Consignes générales de sécurité pour appareils électriques . . . . .	23
3. Autres avertissements de sécurité relatifs aux pistolets de pulvérisation électriques. . . . .	25
4. Informations importantes relatives à l'électricité . . . . .	27
5. Avant la première utilisation. . . . .	27
6. Contenu de l'emballage . . . . .	27
7. Utilisation prévue . . . . .	27

8. Assemblage . . . . .	27
9. Nettoyage du pistolet de pulvérisation . . . . .	29
10. Entretien . . . . .	30
11. Dépannage. . . . .	31
12. Données techniques . . . . .	32
13. Élimination et recyclage . . . . .	32
14. CE-Déclaration de conformité . . . . .	32

## Inhoudsopgave

1. Uitleg van de symbolen . . . . .	33
2. Algemene veiligheidsvoorschriften voor elektrisch gereedschap . . . . .	33
3. Aanvullende veiligheidswaarschuwingen voor elektrische spraypistolen . . . . .	35
4. Belangrijke elektrische informatie . . . . .	36
5. Voor het eerste gebruik . . . . .	37
6. Inhoud van de verpakking . . . . .	37
7. Beoogd gebruik . . . . .	37
8. Assemblage . . . . .	37
9. Het spraypistool reinigen . . . . .	39
10. Onderhoud. . . . .	39
11. Probleemoplossing . . . . .	40
12. Technische gegevens . . . . .	41
13. Afvalverwerking en hergebruik . . . . .	41
14. EG-Conformiteitsverklaring . . . . .	41

## Contenuto

1. Spiegazione dei simboli . . . . .	42
2. Avvertenze di sicurezza generali per gli elettrooutensili . . . . .	42
3. Ulteriori avvertenze di sicurezza per l'uso delle pistole a spruzzo elettriche . . . . .	44
4. Informazioni importanti sulle caratteristiche elettriche. . . . .	45
5. Operazioni preliminari al primo uso del prodotto . . . . .	46
6. Contenuto della confezione . . . . .	46
7. Destinazione d'uso . . . . .	46
8. Montaggio . . . . .	46
9. Pulizia della pistola a spruzzo . . . . .	48
10. Manutenzione . . . . .	48
11. Risoluzione dei problemi. . . . .	49
12. Dati tecnici . . . . .	50
13. Smaltimento . . . . .	50
14. Dichiarazione di conformità CE. . . . .	50

## Índice

1. Explicación de los símbolos . . . . .	51
2. Indicaciones generales de seguridad para herramientas eléctricas . . . . .	51
3. Advertencias de seguridad adicionales en materia de pistolas pulverizadoras eléctricas . . . . .	53
4. Información importante relacionada con la electricidad . . . . .	54
5. Antes de usar por primera vez . . . . .	55
6. Contenido del paquete . . . . .	55
7. Uso previsto . . . . .	55
8. Montaje . . . . .	55
9. Limpieza de la pistola pulverizadora . . . . .	57
10. Mantenimiento . . . . .	58
11. Resolución de problemas . . . . .	58
12. Datos técnicos . . . . .	59
13. Eliminación . . . . .	59
14. Declaración CE de conformidad . . . . .	60

## Índice

1. Explicação dos símbolos . . . . .	61
2. Instruções de segurança gerais para ferramentas elétricas . . . . .	61
3. Instruções de segurança adicionais para pistolas pulverizadoras . . . . .	63
4. Informação elétrica importante. . . . .	64
5. Antes da primeira utilização. . . . .	65
6. Conteúdo da embalagem . . . . .	65
7. Utilização prevista . . . . .	65
8. Montagem . . . . .	65
9. Limpeza da pistola pulverizadora . . . . .	67
10. Manutenção . . . . .	67
11. Resolução de problemas . . . . .	68
12. Dados técnicos . . . . .	69
13. Eliminação . . . . .	69
14. Declaração de conformidade CE . . . . .	69

## Spis treści

1. Objaśnienie symboli . . . . .	70
2. Ogólne wskazówki bezpieczeństwa dotyczące elektronarzędzi . . . . .	70
3. Dodatkowe ostrzeżenia dotyczące pracy z elektrycznymi pistoletami natryskowymi . . . . .	72
4. Ważne informacje dotyczące części elektrycznych . . . . .	73
5. Przed pierwszym użyciem . . . . .	74
6. Zawartość opakowania . . . . .	74
7. Przeznaczenie. . . . .	74
8. Montaż . . . . .	74
9. Czyszczenie pistoletu natryskowego . . . . .	76
10. Konserwacja . . . . .	76
11. Rozwiązywanie problemów . . . . .	77
12. Dane techniczne . . . . .	78
13. Utylizacja . . . . .	78
14. Deklaracja zgodności z wymogami UE. . . . .	78

## Dear customer

Please familiarize yourself with the proper usage of the device by reading and following each chapter of this manual, in the order presented. Keep these operating instructions for further reference.

### Please read all safety instructions!

This manual contains important information on operating and handling the device. Keep these operating instructions for further reference. Please pass it on along with the unit if it is handed over to a third party.

## 1. Explanation of the symbols

The following symbols are used in the user manual or on the product:



*Warning! To reduce the risk of injury, the user must read the instruction manual.*



*Denotes risk of personal injury, loss of life or damage to the tool in case of non-observance of the instructions in this manual.*



*Wear a dust mask. When working with wood and other materials, harmful dust may be generated. Work with asbestos containing materials is not permitted!*



*Wear safety glasses. When working with electric power tools, sparks, splinters, chips and dust particles may be generated and these can cause loss of sight.*



*CE stands for "Conformité Européenne", which means "In accordance with EU Regulations". With the CE marking, the manufacturer confirms that this Electric tool complies with the applicable European directives.*



*Do not dispose of electric power tools with domestic refuse.*

## 2. General power tool safety warnings



**WARNING!** Read all safety warnings, instructions, illustrations and specifications provided with this

**power tool.** Failure to follow all instructions listed below may result in electric shock, fire and/or serious injury.

### Save all warnings and instructions for future reference.

The term "power tool" in the warnings refers to your mains-operated (corded) power tool or battery-operated (cordless) power tool.

#### 2.1 Work area safety

- a. **Keep work area clean and well lit.**  
Cluttered or dark areas invite accidents.
- b. **Do not operate power tools in explosive atmospheres, such as in the presence of flammable liquids, gases or dust.** Power tools create sparks which may ignite the dust or fumes.
- c. **Keep children and bystanders away while operating a power tool.** Distractions can cause you to lose control.

#### 2.2 Electrical safety

- a. **Power tool plugs must match the outlet. Never modify the plug in any way. Do not use any adapter plugs with earthed (grounded) power tools.**  
Unmodified plugs and matching outlets will reduce risk of electric shock.
- b. **Avoid body contact with earthed or grounded surfaces, such as pipes, radiators, ranges and refrigerators.**  
There is an increased risk of electric shock if your body is earthed or grounded.
- c. **Do not expose power tools to rain or wet conditions.** Water entering a power tool will increase the risk of electric shock.
- d. **Do not abuse the cord. Never use the cord for carrying, pulling or unplugging the power tool. Keep cord away from heat, oil, sharp edges or moving parts.** Damaged or entangled cords increase the risk of electric shock.
- e. **When operating a power tool outdoors, use an extension cord suitable for outdoor use.** Use of a cord suitable for outdoor use reduces the risk of electric shock.
- f. **If operating a power tool in a damp location is unavoidable, use a residual current device (RCD) protected supply.**



Use of an RCD reduces the risk of electric shock.

### 2.3 Personal safety

- a. **Stay alert, watch what you are doing and use common sense when operating a power tool. Do not use a power tool while you are tired or under the influence of drugs, alcohol or medication.** A moment of inattention while operating power tools may result in serious personal injury.
- b. **Use personal protective equipment. Always wear eye protection.** Protective equipment such as a dust mask, non-skid safety shoes, hard hat or hearing protection used for appropriate conditions will reduce personal injuries.
- c. **Prevent unintentional starting. Ensure the switch is in the off-position before connecting to power source and/or battery pack, picking up or carrying the tool.** Carrying power tools with your finger on the switch or energising power tools that have the switch on invites accidents.
- d. **Remove any adjusting key or wrench before turning the power tool on.** A wrench or a key left attached to a rotating part of the power tool may result in personal injury.
- e. **Do not overreach. Keep proper footing and balance at all times.** This enables better control of the power tool in unexpected situations
- f. **Dress properly. Do not wear loose clothing or jewellery. Keep your hair and clothing away from moving parts.** Loose clothes, jewellery or long hair can be caught in moving parts.
- g. **If devices are provided for the connection of dust extraction and collection facilities, ensure these are connected and properly used.** Use of dust collection can reduce dust-related hazards.
- h. **Do not let familiarity gained from frequent use of tools allow you to become complacent and ignore tool safety principles.** A careless action can cause severe injury within a fraction of a second.

### 2.4 Power tool use and care

- a. **Do not force the power tool. Use the correct power tool for your application.** The correct power tool will do the job better and safer at the rate for which it was designed.
- b. **Do not use the power tool if the switch does not turn it on and off.** Any power tool that cannot be controlled with the switch is dangerous and must be repaired.
- c. **Disconnect the plug from the power source and/or remove the battery pack, if detachable, from the power tool before making any adjustments, changing accessories, or storing power tools.** Such preventive safety measures reduce the risk of starting the power tool accidentally.
- d. **Store idle power tools out of the reach of children and do not allow persons unfamiliar with the power tool or these instructions to operate the power tool.** Power tools are dangerous in the hands of untrained users.
- e. **Maintain power tools and accessories. Check for misalignment or binding of moving parts, breakage of parts and any other condition that may affect the power tool's operation. If damaged, have the power tool repaired before use.** Many accidents are caused by poorly maintained power tools.
- f. **Keep cutting tools sharp and clean.** Properly maintained cutting tools with sharp cutting edges are less likely to bind and are easier to control.
- g. **Use the power tool, accessories and tool bits etc. in accordance with these instructions, taking into account the working conditions and the work to be performed.** Use of the power tool for operations different from those intended could result in a hazardous situation.
- h. **Keep handles and grasping surfaces dry, clean and free from oil and grease.** Slippery handles and grasping surfaces do not allow for safe handling

and control of the tool in unexpected situations.

## 2.5 Service

- a. **Have your power tool serviced by a qualified repair person using only identical replacement parts.** This will ensure that the safety of the power tool is maintained.

## 3. Additional safety warnings for electric spray guns

To reduce the risks of fire or explosion, electrical shock and the injury to persons, read and understand all instructions included in this manual. Be familiar with the controls and proper usage of the equipment.



*Indicates a hazardous situation which, if not avoided, could result in death or serious injury.*

### a. HAZARD: EXPLOSION OR FIRE

Solvent and paint fumes can explode or ignite. Severe injury or property damage can occur.

#### PREVENTION:

- Ensure adequate ventilation in the spray zone and sufficient fresh air in the entire room. Evaporation of flammable solvents will cause an explosive environment.
- Avoid all ignition sources such as static electric sparks, open flames, pilot lights, electrical appliances, and hot objects. Connecting or disconnecting power cords or working light switches can make sparks.
- Do not smoke in spray area.
- Fire extinguisher must be present and in good working order.
- Use only outdoors in a well-ventilated area. Flammable vapours are often heavier than air. The turbine contains arcing parts that emit sparks and can ignite vapours.
- Follow the material and solvent manufacturer's warnings and instructions.
- Do not use materials with a flash point below 21 °C. Flash point is the temperature that a fluid can produce enough vapours to ignite (see coating supplier).

- Plastic can cause static sparks. Never hang plastic to enclose the spray area.
- Do not use plastic drop cloths when spraying flammable materials.

### b. HAZARD: EXPLOSION HAZARD DUE TO INCOMPATIBLE MATERIALS.

Will cause property damage or severe injury.

#### PREVENTION:

- Do not use materials containing bleach or chlorine.
- Do not use halogenated hydrocarbon solvents such as bleach, mildewcide, methylene chloride and 1,1,1-trichloroethane. They are not compatible with aluminium.
- Contact your coating supplier about the compatibility of material with aluminium.

### c. HAZARD: HAZARDOUS VAPOURS

Paints, solvents, insecticides, and other materials can be harmful if inhaled or come in contact with the body. Vapours can cause severe nausea, fainting, or poisoning.

#### PREVENTION:

- Use a respirator or mask if vapours can be inhaled. Read all instructions supplied with the mask to be sure it will provide the necessary protection.
- Wear protective eye-wear.
- Wear protective clothing as required by coating manufacturer.

### d. HAZARD: GENERAL

Can cause severe injury or property damage.

#### PREVENTION:

- Follow all appropriate local, state, and national codes governing ventilation, fire prevention, and operation.
- Use only manufacturer authorized parts. User assumes all risks and liabilities when using parts that do not meet the minimum specifications and safety devices of the manufacturer.
- Do not spray outdoors on windy days.
- Wear protective clothing to keep paint off skin and hair.
- Never aim spray gun at any part of the body.
- Never aim the spray gun at people or animals.

## 4. Important electrical information

### 4.1 The tool plug must fit into the socket. The plug may not be modified in any form. Do not use adapter plugs together with protective-earthed tools.

Unmodified plugs and suitable sockets reduce the risk of an electric shock.

### 4.2 Avoid physical contact with earthed surfaces such as pipes, heating elements, stoves and refrigerators. The risk through electric shock increases if your body is earthed.

### 4.3 Keep the equipment away from rain and moisture. The risk of an electric shock increases if water penetrates electrical equipment.

### 4.4 Do not misuse the mains lead by carrying the tool by the lead, hanging it from the lead or by pulling on the lead to remove the plug. Keep the lead away from heat, oil, sharp edges or moving tool parts. Damaged or twisted leads increase the risk of an electric shock.

### 4.5 If you work outdoors, use only extension leads that are approved for outdoor use. The use of an extension lead that is suitable for outdoors reduces the risk of an electric shock.

## 5. Before the first use

Remove the machine and all accessories from the package. Keep the packaging materials out of the reach of small children. There is a danger of suffocation!

## 6. Contents of packing

- 1× Electrical spray gun
- 4× nozzles: 2.5 mm (assembled on machine), 1.5 mm/2.0 mm/3.0 mm
- 1× Cleaning needle
- 1× Viscosity measuring cup
- 1× Cleaning brush
- 1× Instruction manual

## 7. Intended use

The Maxxspray paint spray gun is suitable for applying paint, lacquers, primer, sealer, stain and interior wall paint.

- Any other usage of or modification to the appliance is deemed to be improper and carries a significant risk of accidents.
- The use of easily flammable, combustible paints, lacquers or thinners is strictly prohibited.
- The intended use also includes an operation following the operating instructions.
- Any use beyond these parameters can lead to serious risks and is regarded as use that is contrary to the intended purpose.
- The machine is not intended for commercial use.

## 8. Assembly

(See Fig. A, B).

### 8.1 Assemble the spray gun into the main housing

- Insert the spray gun (16) into the main housing (5) in the "open lock" position on the main housing. Turn in clockwise direction.
- Lock the main housing and the spray gun set with the quick release lock (9).

### 8.2 Aligning the suction tube

(See Fig. C, G).

- If you are going to be spraying in a downward direction, the angled end of the suction tube (17) should be pointing toward the front of the gun.
- If you are going to be spraying in an upward direction, the angled end of the suction tube (17) should be pointing toward the rear of the gun.
- By pointing the suction tube in the proper direction, you will not have to refill the container as often.

### 8.3 Material preparation

#### Viscosity

- The appliance can process spray materials up to a maximum 100 DIN<sub>s</sub> (viscosity). You can determine the viscosity (thickness) of the substance with the supplied measuring cup using a simplified measuring procedure.
- Before spraying, the material being used may need to be thinned with the proper solvent as specified by the material manufacturer. Never exceed the thinning

advice given by the coating manufacturer.

- Do not use materials with a flash point below 21 °C. Follow the instructions below.

#### 8.4 Paint thinning

- Stir the spraying material thoroughly before measuring viscosity.
- Dip the viscosity test cup (15) completely into the spraying material.
- Hold the test cup (15) up and measure the time (in seconds) until the stream of liquid stops. The resulting value is referred to as DIN seconds (DIN<sub>s</sub>).
- If the value is too high, gradually thin the spray material by adding small amounts of a suitable thinning agent in and mixing the liquid.
- Measure the DIN seconds again. Repeat the process until you measure a viscosity of less than 100 DIN seconds.
  - Do not exceed the maximal viscosity of the appliance. The spray material must not be too thick. Otherwise, the appliance might clog.
  - Ensure that the spray material and thinning agent are compatible. Using an unsuitable thinning agent may cause clots that clog the appliance. Never mix synthetic resin varnishes with cellulose thinners.
  - Granular products and products containing solids must not be sprayed. Their abrasive effect will shorten the service life of the pump and valve.
  - Material to be sprayed should always be strained to remove any impurities in the paint which may enter and clog the system. Impurities in the paint will give poor performance and a poor finish.



**Material flash point must be 21 °C or higher.**

#### 8.5 Fill container

(See Fig. G).

- Unscrew the container (11) from the spray gun.
- After the material has been properly thinned and strained, fill the container.

- Carefully screw the container back onto the spray gun.

#### 8.6 Adjusting spray pattern shape

(See Fig. D).

The spray pattern shape is adjusted by turning the air cap (2) to either a vertical, horizontal, or diagonal position. The positions of the air cap and the corresponding spray pattern shapes are illustrated (See Fig. D). Test each pattern and use whichever pattern is suitable for your application.

#### 8.7 Material flow adjustment

Set the material volume by turning the material adjustment knob (8).

#### 8.8 Proper spraying technique

- If spraying with an HVLP spray system is new or unfamiliar to you, it is advisable to practice on a piece of scrap wood or cardboard before beginning on your intended work piece.

##### a. Preparing the surface

- Carefully cover a large area around the spray surface. Any surface that is not masked could become contaminated.
- Ensure that the surface is clean, dry and free of grease.
- Polished surfaces should be lightly sanded and the sanding dust removed.

##### b. How to spray properly

(See Fig. E, F).

- Hold the spray gun at a constant distance from the object. The ideal spraying distance is approx. 15 cm.
- Spray evenly up and down with smooth passes at a consistent speed as illustrated in fig. E. Doing this will help avoid irregularities in the finish (i. e. runs and sags).
- Always apply a thin coat of material on the first pass and allow to dry before applying a second, slightly heavier coat.
- The closer your sprayer is to the object being sprayed the more the over-spray.
- When spraying, always press and hold the trigger of the spray gun after spray pass has begun and release trigger before stopping the pass. Always keep the gun pointed squarely at the spray surface and overlap passes slightly to

obtain the most consistent and professional finish possible.

## 8.9 Switching the spray gun on/off

### a. Switching on

- Insert the plug into a mains power socket.
- To switch the spray gun on, press and hold the trigger (7).

### b. Switching off

- To stop spraying, simply release the trigger (7).
- When you are finished working, disconnect the plug from the mains power supply.

## 9. Cleaning the spray gun

(See Fig. G).



*Special clean-up instructions for use with flammable solvents (must have a flash point above 21 °C):*

- Always flush spray gun outside.
  - Area must be free of flammable vapours.
  - Cleaning area must be well-ventilated.
  - **DO NOT SUBMERGE air compressor!**
- 9.1 Unplug the spray gun, and trigger the spray gun so that the material inside the spray gun flows back into the container.
  - 9.2 Unscrew the container (11). Empty any remaining material back into the material container.
  - 9.3 Pour a small amount of the appropriate cleaning solution into the container (warm, soapy water for latex materials; mineral spirits for oil-based materials). Clean container and properly dispose of cleaning solution.
  - 9.4 Refill the container with NEW cleaning solution.
  - 9.5 Attach the container to the gun and plug in the sprayer.
  - 9.6 Spray the solution through the gun for two seconds in a safe area. Spray again

for two seconds. Unplug the spray gun, and trigger the spray gun so that the material inside the spray gun flows back into the container.

- 9.7 Wipe the exterior of the container and gun until clean.
- 9.8 Unscrew the nut (1) and remove the air cap (2) and nozzle (3).
- 9.9 Clean the container, suction tube, air cap and nozzle with a cleaning brush and the appropriate cleaning solution.

**Never clean nozzle or air holes in the spray gun with sharp metal objects.**

**Do not use solvents or lubricants containing silicone.**

- 9.10 Turn both knobs on both sides of the Air Compressor Assembly to the "Unlock" position, pull and separate the spray gun from the Air Compressor Assembly. (See Fig. B).
- 9.11 (a) Clean the rear of the spray gun with the appropriate cleaning solution.  
(b) Turn the suction tube anti-clockwise and pull the suction tube downward to disassemble it from the spray gun. Then clean the suction tube with the appropriate cleaning solution.

## 10. Maintenance

(See Fig. H).

**You should inspect the air filter in the Air Compressor Assembly to see if it is excessively dirty. If it is dirty, follow the steps below to replace it.**

- a. Unplug the spray gun. Remove the filter cover with your hands directly.
- b. Remove the dirty filters and replace with new ones.
- c. Secure the cover back onto the main housing.

**Never operate your unit without the air filters. Dirt could be sucked in and interfere with the function of the unit.**

## 11. Troubleshooting

Problem	Cause	Solution
A. Little or no material flow	1. Nozzle clogged.	1. Clean.

B. Material leaking	<ol style="list-style-type: none"> <li>2. Suction tube clogged.</li> <li>3. Material volume setting turned too low(-).</li> <li>4. Suction tube loose.</li> <li>5. No pressure build up in container.</li> <li>6. Air filter clogged.</li> <li>1. Nozzle loose.</li> <li>2. Nozzle worn.</li> <li>3. Nozzle seal worn.</li> <li>4. Material build-up on air cap and nozzle</li> </ol>	<ol style="list-style-type: none"> <li>2. Clean.</li> <li>3. Increase volume setting (+).</li> <li>4. Insert.</li> <li>5. Tighten container.</li> <li>6. Change.</li> <li>1. Tighten.</li> <li>2. Replace.</li> <li>3. Replace.</li> <li>4. Clean.</li> </ol>
C. Atomization is too coarse	<ol style="list-style-type: none"> <li>1. Viscosity of material too high.</li> <li>2. Material volume too large.</li> <li>3. Material volume setting too high (+).</li> <li>4. Nozzle clogged.</li> <li>5. Air filter clogged.</li> <li>6. Too little pressure build-up in container.</li> </ol>	<ol style="list-style-type: none"> <li>1. Thin.</li> <li>2. Decrease volume setting (-).</li> <li>3. Decrease volume setting (-).</li> <li>4. Clean.</li> <li>5. Change.</li> <li>6. Tighten container.</li> </ol>
D. Spray jet pulsates	<ol style="list-style-type: none"> <li>1. Material in container running out.</li> <li>2. Air filter clogged.</li> </ol>	<ol style="list-style-type: none"> <li>1. Refill.</li> <li>2. Change.</li> </ol>
E. Pattern runs or sags	<ol style="list-style-type: none"> <li>1. Applying too much material.</li> </ol>	<ol style="list-style-type: none"> <li>1. Adjust material flow or increase movement of spray gun.</li> </ol>
F. Too much over-spray	<ol style="list-style-type: none"> <li>1. Gun too close to spray object.</li> <li>2. Too much material applied.</li> </ol>	<ol style="list-style-type: none"> <li>1. Increase distance.</li> <li>2. Decrease volume setting (-).</li> </ol>
G. Pattern is very light and splotchy.	<ol style="list-style-type: none"> <li>1. Moving the spray gun too fast</li> </ol>	<ol style="list-style-type: none"> <li>1. Adjust material flow or decrease movement of spray gun.</li> </ol>

## 12. Technical data

Voltage: . . . . . 220-240 V~  
 Power: . . . . . 500 W  
 Max. viscosity: . . . . . 100 DIN<sub>s</sub>  
 Protection class: . . . . . double insulated  
 Weight: . . . . . 1.40 kg

The product and the user manual may be subject to changes. Technical data may be changed without prior notice.

## 13. Disposal



*Do not dispose of electric power tools with domestic refuse.*

The electric power tool is shipped in packaging to reduce transport damage. This packaging is a raw material and as such can either be reused or can be fed back into the raw material cycle. The electric power tool and its accessories are made from various materials such as metals and plastics. Take defective components to a special refuse collection point. Ask about these at your specialist shop or local council.

## 14. EC-Declaration of conformity

We, the **Batavia B.V., Weth. Wassebaliestraat 6d, NL-7951 SN Staphorst**, declare by our own responsibility that the product **Maxxspray spray gun, Model BT-PSG013, Item-No 7063912** is according to the basic requirements, which are defined in the European Directives **2006/42/EC** (MD), **2014/30/EU** (EMC), **2011/65/EU** (RoHS) and their amendments. For the evaluation of conformity, the following harmonized standards were consulted:

**EN 60745-1:2009/A11:2010**

**EN 50580:2012/A1:2013**

**EN 55014-1:2017**

**EN 55014-2:2015**

**PAHs: AfPS GS 2019:01**

Staphorst, 12 July 2021

Meino Seinen, QA Representative  
 Batavia B.V., Weth. Wassebaliestraat 6d,  
 7951 SN Staphorst, Netherlands.

## Sehr geehrte Damen und Herren

Bitte machen Sie sich in der Reihenfolge der Kapitel mit dem Gerät vertraut und bewahren Sie diese Bedienungsanleitung für spätere Zwecke gut auf.

### Bitte beachten Sie die Sicherheitshinweise!

Diese Bedienungsanleitung enthält wichtige Hinweise zur Inbetriebnahme und Handhabung. Legen Sie die Anleitung dem Produkt bei, wenn Sie es an Dritte weitergeben.

## 1. Erläuterung der Symbole

Folgende Symbole werden im Benutzerhandbuch oder auf dem Produkt verwendet:



**WARNUNG** - Zur Verringerung des Verletzungsrisikos Bedienungsanleitung lesen.



Allgemeines Warnzeichen – Seien Sie aufmerksam und beachten Sie allgemeine Gefahren.



Tragen Sie eine Staubschutzmaske. Beim Bearbeiten von Holz und anderen Materialien kann gesundheitsschädlicher Staub entstehen. Asbesthaltiges Material darf nicht bearbeitet werden!



Tragen Sie eine Schutzbrille. Während der Arbeit entstehende Funken oder aus dem Elektrowerkzeug heraustretende Splitter, Späne und Stäube können Sichtverlust bewirken.



CE steht für „Conformité Européenne“, dies bedeutet, „Übereinstimmung mit EU Richtlinien“. Mit der CE Kennzeichnung bestätigt der Hersteller, dass dieses Elektrowerkzeug den geltenden europäischen Richtlinien entspricht.



Nicht in den Hausmüll entsorgen!

## 2. Allgemeine Sicherheitshinweise für Elektrowerkzeuge



**WARNUNG!** Lesen Sie alle Sicherheitshinweise, Anweisungen, Bebilderungen und technischen

Daten, mit denen dieses Elektrowerkzeug versehen ist. Versäumnisse bei der Einhaltung der nachfolgenden Anweisungen können elektrischen Schlag, Brand und/oder schwere Verletzungen verursachen.

### Bewahren Sie alle Sicherheitshinweise und Anweisungen für die Zukunft auf.

Der in den Sicherheitshinweisen verwendete Begriff „Elektrowerkzeug“ bezieht sich auf netzbetriebene Elektrowerkzeuge (mit Netzleitung) oder auf akkubetriebene Elektrowerkzeuge (ohne Netzleitung).

#### 2.1 Arbeitsplatzsicherheit

- Halten Sie Ihren Arbeitsbereich sauber und gut beleuchtet.** Unordnung oder unbeleuchtete Arbeitsbereiche können zu Unfällen führen.
- Arbeiten Sie mit dem Elektrowerkzeug nicht in explosionsgefährdeter Umgebung, in der sich brennbare Flüssigkeiten, Gase oder Stäube befinden.** Elektrowerkzeuge erzeugen Funken, die den Staub oder die Dämpfe entzünden können.
- Halten Sie Kinder und andere Personen während der Benutzung des Elektrowerkzeugs fern.** Bei Ablenkung können Sie die Kontrolle über das Elektrowerkzeug verlieren.

#### 2.2 Elektrische Sicherheit

- Der Anschlussstecker des Elektrowerkzeugs muss in die Steckdose passen. Der Stecker darf in keiner Weise verändert werden. Verwenden Sie keine Adapterstecker gemeinsam mit schutzgeerdeten Elektrowerkzeugen.** Unveränderte Stecker und passende Steckdosen verringern das Risiko eines elektrischen Schlages.
- Vermeiden Sie Körperkontakt mit geerdeten Oberflächen wie von Rohren, Heizungen, Herden und Kühlschränken.** Es besteht ein erhöhtes Risiko durch elektrischen Schlag, wenn Ihr Körper geerdet ist.
- Halten Sie Elektrowerkzeuge von Regen oder Nässe fern.** Das Eindringen von Wasser in ein Elektrowerkzeug erhöht das Risiko eines elektrischen Schlages.



- d. **Zweckentfremden Sie die Anschlussleitung nicht, um das Elektrowerkzeug zu tragen, aufzuhängen oder um den Stecker aus der Steckdose zu ziehen. Halten Sie die Anschlussleitung fern von Hitze, Öl, scharfen Kanten oder sich bewegenden Teilen.** Beschädigte oder verwickelte Anschlussleitungen erhöhen das Risiko eines elektrischen Schlages.
- e. **Wenn Sie mit einem Elektrowerkzeug im Freien arbeiten, verwenden Sie nur Verlängerungsleitungen, die auch für den Außenbereich geeignet sind.** Die Anwendung einer für den Außenbereich geeigneten Verlängerungsleitung verringert das Risiko eines elektrischen Schlages.
- f. **Wenn der Betrieb des Elektrowerkzeugs in feuchter Umgebung nicht vermeidbar ist, verwenden Sie einen Fehlerstromschutzschalter.** Der Einsatz eines Fehlerstromschutzschalters vermindert das Risiko eines elektrischen Schlages.
- 2.3 Sicherheit von Personen**
- a. **Seien Sie aufmerksam, achten Sie darauf, was Sie tun, und gehen Sie mit Vernunft an die Arbeit mit einem Elektrowerkzeug. Benutzen Sie kein Elektrowerkzeug, wenn Sie müde sind oder unter dem Einfluss von Drogen, Alkohol oder Medikamenten stehen.** Ein Moment der Unachtsamkeit beim Gebrauch des Elektrowerkzeugs kann zu ernsthaften Verletzungen führen.
- b. **Tragen Sie persönliche Schutzausrüstung und immer eine Schutzbrille.** Das Tragen persönlicher Schutzausrüstung, wie Staubmaske, rutschfeste Sicherheitsschuhe, Schutzhelm oder Gehörschutz, je nach Art und Einsatz des Elektrowerkzeugs, verringert das Risiko von Verletzungen.
- c. **Vermeiden Sie eine unbeabsichtigte Inbetriebnahme. Vergewissern Sie sich, dass das Elektrowerkzeug ausgeschaltet ist, bevor Sie es an die Stromversorgung und/oder den Akku anschließen, es aufnehmen oder tragen.** Wenn Sie beim Tragen des Elektro-
- werkzeugs den Finger am Schalter haben oder das Elektrowerkzeug eingeschaltet an die Stromversorgung anschließen, kann dies zu Unfällen führen.
- d. **Entfernen Sie Einstellwerkzeuge oder Schraubenschlüssel, bevor Sie das Elektrowerkzeug einschalten.** Ein Werkzeug oder Schlüssel, der sich in einem drehenden Teil des Elektrowerkzeugs befindet, kann zu Verletzungen führen.
- e. **Vermeiden Sie eine abnormale Körperhaltung. Sorgen Sie für einen sicheren Stand und halten Sie jederzeit das Gleichgewicht.** Dadurch können Sie das Elektrowerkzeug in unerwarteten Situationen besser kontrollieren.
- f. **Tragen Sie geeignete Kleidung. Tragen Sie keine weite Kleidung oder Schmuck. Halten Sie Haare und Kleidung fern von sich bewegenden Teilen.** Lockere Kleidung, Schmuck oder lange Haare können von sich bewegenden Teilen erfasst werden.
- g. **Wenn Staubabsaug- und -auffangeinrichtungen montiert werden können, sind diese anzuschließen und richtig zu verwenden.** Verwendung einer Staubabsaugung kann Gefährdungen durch Staub verringern.
- h. **Wiegen Sie sich nicht in falscher Sicherheit und setzen Sie sich nicht über die Sicherheits-Regeln für Elektrowerkzeuge hinweg, auch wenn Sie nach vielfachem Gebrauch mit dem Elektrowerkzeug vertraut sind.** Achtloses Handeln kann binnen Sekundenbruchteilen zu schweren Verletzungen führen.
- 2.4 Verwendung und Behandlung des Elektrowerkzeugs**
- a. **Überlasten Sie das Elektrowerkzeug nicht. Verwenden Sie für Ihre Arbeit das dafür bestimmte Elektrowerkzeug.** Mit dem passenden Elektrowerkzeug arbeiten Sie besser und sicherer im angegebenen Leistungsbereich.

- b. **Benutzen Sie kein Elektrowerkzeug, dessen Schalter defekt ist.** Ein Elektrowerkzeug, das sich nicht mehr ein- oder ausschalten lässt, ist gefährlich und muss repariert werden.
- c. **Ziehen Sie den Stecker aus der Steckdose und/oder entfernen Sie einen abnehmbaren Akku, bevor Sie Geräteeinstellungen vornehmen, Einsatzwerkzeugteile wechseln oder das Elektrowerkzeug weglegen.** Diese Vorsichtsmaßnahme verhindert den unbeabsichtigten Start des Elektrowerkzeugs.
- d. **Bewahren Sie unbenutzte Elektrowerkzeuge außerhalb der Reichweite von Kindern auf. Lassen Sie keine Personen das Elektrowerkzeug benutzen, die mit diesem nicht vertraut sind oder diese Anweisungen nicht gelesen haben.** Elektrowerkzeuge sind gefährlich, wenn Sie von unerfahrenen Personen benutzt werden.
- e. **Pflegen Sie Elektrowerkzeuge und Einsatzwerkzeug mit Sorgfalt. Kontrollieren Sie, ob bewegliche Teile einwandfrei funktionieren und nicht klemmen, ob Teile gebrochen oder so beschädigt sind, dass die Funktion des Elektrowerkzeugs beeinträchtigt ist. Lassen Sie beschädigte Teile vor dem Einsatz des Elektrowerkzeugs reparieren.** Viele Unfälle haben ihre Ursache in schlecht gewarteten Elektrowerkzeugen.
- f. **Halten Sie Schneidwerkzeuge scharf und sauber.** Sorgfältig gepflegte Schneidwerkzeuge mit scharfen Schneidkanten verklemmen sich weniger und sind leichter zu führen.
- g. **Verwenden Sie Elektrowerkzeug, Einsatzwerkzeug, Einsatzwerkzeuge usw. entsprechend diesen Anweisungen. Berücksichtigen Sie dabei die Arbeitsbedingungen und die auszuführende Tätigkeit.** Der Gebrauch von Elektrowerkzeugen für andere als die vorgesehenen Anwendungen kann zu gefährlichen Situationen führen.
- h. **Halten Sie Griffe und Griffflächen trocken, sauber und frei von Öl und**

**Fett.** Rutschige Griffe und Griffflächen erlauben keine sichere Bedienung und Kontrolle des Elektrowerkzeugs in unvorhergesehenen Situationen.

## 2.5 Service

- a. **Lassen Sie Ihr Elektrowerkzeug nur von qualifiziertem Fachpersonal und nur mit Original-Ersatzteilen reparieren.** Damit wird sichergestellt, dass die Sicherheit des Elektrowerkzeugs erhalten bleibt.

## 3. Zusätzliche Sicherheitshinweise für elektrische Spritzpistolen

Um Feuer und Explosionen, Stromschlag und Verletzungen zu vermeiden, lesen und verstehen Sie alle Anleitungen in diesem Handbuch. Machen Sie sich mit den Bedienelementen und der ordnungsgemäßen Verwendung des Geräts vertraut.



*Hinweis auf eine gefährliche Situation, die, wenn sie nicht vermieden wird, zum Tod oder zu schweren Verletzungen führen kann.*

### a. GEFAHR: EXPLOSION ODER FEUER

Lösungsmittel- und Lackdämpfe können explodieren oder sich entzünden. Schwere Verletzungen oder Sachschäden können die Folge sein.

#### VERMEIDUNG:

- Sorgen Sie für eine ausreichende Belüftung im Sprühbereich und für ausreichend Frischluft im gesamten Raum. Die Verdunstung von brennbaren Lösungsmitteln führt zu einer explosiven Umgebung.
- Vermeiden Sie alle Zündquellen wie statische und elektrische Funken, offene Flammen, Zündflammen, elektrische Geräte und heiße Gegenstände. Das Anschließen oder Abziehen von Stromkabeln oder das Betätigen von Lichtschaltern kann Funken erzeugen.
- Rauchen Sie nicht im Sprühbereich.
- Ein Feuerlöscher muss vorhanden und funktionstüchtig sein.
- Nur im Freien oder in einem gut belüfteten Bereich verwenden. Entflammbare Dämpfe sind oft schwerer als Luft. Das Gerät enthält funkenbildende Teile, die

Funken erzeugen und Dämpfe entzünden können.

- Beachten Sie die Warnhinweise und Anweisungen des Material- und Lösungsmittelherstellers.
- Verwenden Sie keine Materialien mit einem Flammpunkt unter 21 °C. Der Flammpunkt ist die Temperatur, bei der eine Flüssigkeit ausreichend Dämpfe erzeugen kann, um sich zu entzünden (siehe Lackhersteller).
- Kunststoff kann statische Funkenbildung verursachen. Verwenden Sie keinesfalls Kunststoff, um den Spritzbereich abzuschirmen.
- Verwenden Sie beim Spritzen von brennbaren Materialien keine Abdeckplanen aus Kunststoff.

#### **b. GEFAHR: EXPLOSIONSGEFAHR AUFGRUND VON UNVERTRÄGLICHEN MATERIALIEN.**

Kann zu Sachschäden oder schweren Verletzungen führen.

##### **VERMEIDUNG:**

- Verwenden Sie keine Materialien, die Bleichmittel oder Chlor enthalten.
- Verwenden Sie keine Lösungsmittel mit halogenhaltigen Kohlenwasserstoffen wie Bleichmittel, Schimmelbekämpfungsmittel, Methylenchlorid und 1,1,1-Trichlorethan. Sie sind nicht mit Aluminium verträglich.
- Erkundigen Sie sich bei Ihrem Lacklieferanten nach der Verträglichkeit des Materials mit Aluminium.

#### **c. GEFAHR: GEFÄHRLICHE DÄMPFE**

Lacke, Lösungsmittel, Insektizide und andere Materialien können schädlich sein, wenn sie eingeatmet werden oder mit dem Körper in Kontakt kommen. Dämpfe können starke Übelkeit, Ohnmacht oder Vergiftungen verursachen.

##### **VERMEIDUNG:**

- Verwenden Sie ein Atemschutzgerät oder eine Maske, wenn Dämpfe eingeatmet werden können. Lesen Sie alle Anleitungen, die mit der Maske geliefert werden, um sicher zu sein, dass sie den notwendigen Schutz bietet.
- Tragen Sie eine Schutzbrille.

- Tragen Sie Schutzkleidung, wie vom Lackhersteller vorgeschrieben.

#### **d. GEFAHR: ALLGEMEIN**

Kann schwere Verletzungen oder Sachschäden verursachen.

##### **VERMEIDUNG:**

- Befolgen Sie alle einschlägigen örtlichen, staatlichen und nationalen Vorschriften zur Belüftung, Brandverhütung und zum Betrieb.
- Verwenden Sie nur vom Hersteller zugelassene Teile. Der Benutzer übernimmt alle Risiken und die Haftung bei Verwendung von Teilen, die nicht den Mindestspezifikationen und Sicherheitsvorschriften des Herstellers entsprechen.
- Spritzen Sie an windigen Tagen nicht im Freien.
- Tragen Sie Schutzkleidung, um Farbe von Haut und Haaren fernzuhalten.
- Richten Sie die Spritzpistole niemals auf einen Körperteil.
- Richten Sie die Spritzpistole niemals auf Personen oder Tiere.

## **4. Wichtige elektrische Hinweise**

**4.1 Der Stecker des Geräts muss in die Steckdose passen. Der Stecker darf in keiner Form verändert werden. Verwenden Sie keine Adapterstecker zusammen mit schutzgeerdeten Werkzeugen.**

Unveränderte Stecker und passende Steckdosen verringern die Stromschlaggefahr.

**4.2 Vermeiden Sie Körperkontakt mit geerdeten Oberflächen wie Rohren, Heizkörpern, Herden und Kühlschränken.** Die Stromschlaggefahr erhöht sich, wenn Ihr Körper geerdet ist.

**4.3 Schützen Sie das Gerät vor Regen und Feuchtigkeit.** Die Stromschlaggefahr erhöht sich, wenn Wasser in elektrische Geräte eindringt.

**4.4 Verwenden Sie das Netzkabel nicht missbräuchlich, indem Sie das Gerät am Kabel tragen, es am Kabel aufhängen oder am Kabel ziehen, um den Netzstecker zu ziehen. Schützen Sie das Kabel vor Hitze, Öl, scharfen Kan-**

**ten und beweglichen Geräteteilen.**

Beschädigte oder verdrehte Leitungen erhöhen die Stromschlaggefahr.

- 4.5 Wenn Sie im Freien arbeiten, verwenden Sie nur Verlängerungskabel, die für den Außeneinsatz zugelassen sind.** Die Verwendung eines für den Außenbereich geeigneten Verlängerungskabels verringert die Stromschlaggefahr.

**5. Vor dem ersten Gebrauch**

Nehmen Sie das Gerät und alle Zubehörteile aus der Verpackung. Bewahren Sie das Verpackungsmaterial außerhalb der Reichweite von Kindern auf. Es besteht Erstickungsgefahr!

**6. Lieferumfang**

- 1 × Elektrische Spritzpistole
- 4 × Düsen: 2,5 mm (an Maschine montiert), 1,5 mm/2,0 mm/3,0 mm
- 1 × Reinigungsnadel
- 1 × Viskositätsmessbecher
- 1 × Reinigungsbürste
- 1 × Bedienungsanleitung

**7. Bestimmungsgemäße Verwendung**

Die Maxxspray-Spritzpistole ist zum Auftragen von Farben, Lacken, Grundierungen, Versiegelungen, Beizen und Wandfarben im Innenbereich geeignet.

- Jede andere Verwendung oder Veränderung des Geräts gilt als nicht bestimmungsgemäß und birgt ein erhebliches Unfallrisiko.
- Die Verwendung von leicht entzündlichen, brennbaren Farben, Lacken oder Verdünnern ist strengstens untersagt.
- Zur bestimmungsgemäßen Verwendung gehört auch der Betrieb entsprechend der Betriebsanleitung.
- Jeder darüber hinausgehende Gebrauch kann zu erheblichen Gefahren führen und gilt als nicht bestimmungsgemäßer Gebrauch.
- Das Gerät ist nicht für den gewerblichen Einsatz bestimmt.

**8. Montage**

(Siehe **Abb. A, B**).

**8.1 Spritzpistole am Gerätegehäuse montieren**

- Setzen Sie die Spritzpistole (**16**) am Gerätegehäuse (**5**) in der Position „Entriegelt/Verriegelt“ ein. Drehen Sie das Gerät im Uhrzeigersinn.
- Verriegeln Sie Gerätegehäuse und Spritzpistole mit dem Schnellverschluss (**9**).

**8.2 Ansaugrohr ausrichten**

(Siehe **Abb. C, G**).

- Wenn Sie nach unten gerichtet lackieren, muss das abgewinkelte Ende des Ansaugrohrs (**17**) zur Vorderseite der Spritzpistole zeigen.
- Wenn Sie nach oben gerichtet lackieren, muss das abgewinkelte Ende des Ansaugrohrs (**17**) zur Rückseite der Spritzpistole zeigen.
- Wenn Sie das Ansaugrohr korrekt ausrichten, müssen Sie den Behälter nicht so oft nachfüllen.

**8.3 Materialvorbereitung****Viskosität**

- Das Gerät kann Sprühmaterialien bis zu einer Viskosität von max. 100 DIN<sub>ss</sub> verarbeiten. Die Viskosität (Dickflüssigkeit) des Materials können Sie mit dem mitgelieferten Messbecher in einem vereinfachten Messverfahren ermitteln.
- Vor dem Lackieren muss das verwendete Material ggf. mit dem vom Materialhersteller vorgeschriebenen Lösungsmittel verdünnt werden. Überschreiten Sie keinesfalls die vom Lackhersteller angegebene Empfehlung zur Verdünnung.
- Verwenden Sie keine Materialien mit einem Flammpunkt unter 21 °C. Befolgen Sie die nachstehenden Anleitungen.

**8.4 Lackverdünnung**

- a. Rühren Sie das Lackmaterial vor der Viskositätsmessung gründlich um.
- b. Tauchen Sie den Viskositätsprüfbecher (**15**) vollständig in das Lackmaterial ein.

- c. Halten Sie den Prüfbecher **(15)** hoch und messen Sie die Zeit (in Sekunden), bis der Flüssigkeitsstrom abreißt. Der resultierende Wert wird als DIN-Sekunden (DIN<sub>s</sub>) bezeichnet.
- d. Wenn der Wert zu hoch ist, verdünnen Sie das Spritzmaterial allmählich, indem Sie kleine Mengen eines geeigneten Verdünners hinzugeben und die Flüssigkeit mischen.
- e. Messen Sie erneut die DIN-Sekunden. Wiederholen Sie den Vorgang, bis Sie eine Viskosität von weniger als 100 DIN-Sekunden messen.
- Überschreiten Sie nicht die maximale Viskosität des Geräts. Das Sprühmaterial darf nicht zu dickflüssig sein. Andernfalls kann das Gerät verstopfen.
  - Achten Sie darauf, dass das Sprühmaterial und der Verdüner verträglich sind. Die Verwendung eines ungeeigneten Verdünners kann zu Klumpen führen, die das Gerät verstopfen. Mischen Sie keinesfalls Kunstharzlacke mit Zellulose-Verdünnern.
  - Granulat- und feststoffhaltige Produkte dürfen nicht versprüht werden. Ihre abreibende Wirkung verkürzt die Standzeit von Pumpe und Ventil.
  - Das zu versprühende Material muss immer gesiebt werden, um Verunreinigungen im Lack zu entfernen, die in das System gelangen und es verstopfen können. Verunreinigungen in der Farbe führen zu schlechter Leistung und einem schlechten Finish.



**Der Flammpunkt des Materials muss 21 °C oder höher sein.**

### 8.5 Behälter füllen

(Siehe **Abb. G**).

- a. Schrauben Sie den Behälter **(11)** von der Spritzpistole ab.
- b. Nachdem das Material ordnungsgemäß verdünnt und gesiebt wurde, füllen Sie den Behälter.
- c. Schrauben Sie den Behälter vorsichtig wieder an die Spritzpistole.

### 8.6 Spritzbild einstellen

(Siehe **Abb. D**).

Die Form des Sprühbildes wird durch Drehen der Luftkappe **(2)** entweder in eine vertikale, horizontale oder diagonale Position eingestellt. Die Positionen der Luftmuster sind abgebildet (siehe **Abb. D**). Testen Sie jedes Muster und verwenden Sie das Muster, das für Ihre Anwendung geeignet ist.

### 8.7 Materialfluss einstellen

Stellen Sie den Materialdurchsatz durch Drehen des Materialeinstellknopfes **(8)** ein.

### 8.8 Korrekte Sprühtechnik

- Wenn das Sprühen mit einem HVLP-Sprühsystem für Sie neu oder ungewohnt ist, ist es ratsam, an einem Stück Altholz oder Karton zu üben, bevor Sie mit dem geplanten Werkstück beginnen.

#### a. Oberfläche vorbereiten

- Decken Sie einen großen Bereich um die zu lackierende Fläche sorgfältig ab. Jede Oberfläche, die nicht abgedeckt ist, könnte verunreinigt werden.
- Achten Sie darauf, dass die Oberfläche sauber, trocken und fettfrei ist.
- Polierte Oberflächen müssen leicht angeschliffen und der Schleifstaub muss entfernt werden.

#### b. Korrekt sprühen

(Siehe **Abb. E, F**).

- Halten Sie die Spritzpistole in einem konstanten Abstand zum Objekt. Der ideale Sprühabstand beträgt ca. 15 cm.
- Sprühen Sie gleichmäßig und mit einer konstanten Geschwindigkeit von oben nach unten, wie in **Abb. E** dargestellt. So vermeiden Sie Unregelmäßigkeiten in der Oberfläche (wie Läufer und Hänger).
- Tragen Sie beim ersten Durchgang immer eine dünne Schicht des Materials auf und lassen Sie es trocknen, bevor Sie eine zweite, etwas stärkere Schicht auftragen.
- Je näher Ihr Spritzgerät an das zu lackierende Objekt herankommt, desto stärker ist der Überspritzeffekt.

- Halten Sie beim Spritzen immer den Triggerschalter der Spritzpistole gedrückt, nachdem der Spritzdurchgang begonnen hat, und lassen Sie ihn los, bevor Sie den Durchgang beenden. Halten Sie die Spritzpistole immer genau auf die zu besprühende Fläche gerichtet und überlappen Sie die Durchgänge leicht, um ein möglichst gleichmäßiges und professionelles Ergebnis zu erzielen.

## 8.9 Spritzpistole ein- und ausschalten

### a. Einschalten

- Stecken Sie den Netzstecker in eine geeignete Steckdose.
- Um die Spritzpistole einzuschalten, halten Sie den Triggerschalter **(7)** gedrückt.

### b. Ausschalten

- Um die Spritzpistole auszuschalten, lassen Sie den Triggerschalter **(7)** los.
- Ziehen Sie nach Beendigung der Arbeiten den Netzstecker.

## 9. Spritzpistole reinigen

(Siehe **Abb. G**).



*Besondere Reinigungshinweise zur Verwendung von brennbaren Lösungsmitteln (müssen einen Flammpunkt über 21 °C haben):*

- Sprühpistole immer im Freien reinigen.
  - Der Bereich muss frei von brennbaren Dämpfen sein.
  - Der Reinigungsbereich muss gut belüftet sein.
  - **Kompressor NICHT EINTAUCHEN!**
- 9.1 Ziehen Sie den Netzstecker der Spritzpistole und betätigen Sie den Triggerschalter, damit das Material in der Spritzpistole zurück in den Behälter fließt.
  - 9.2 Schrauben Sie den Behälter **(11)** ab. Entleeren Sie das restliche Material zurück in den Materialbehälter.
  - 9.3 Gießen Sie eine kleine Menge der entsprechenden Reinigungslösung in den Behälter (warmes Seifenwasser für Latex-Materialien; Waschbenzin für Materialien auf Ölbasis). Reinigen Sie

den Behälter und entsorgen Sie die Reinigungslösung ordnungsgemäß.

- 9.4 Füllen Sie den Behälter mit NEUER Reinigungslösung.
- 9.5 Bringen Sie den Behälter an der Spritzpistole an und schließen Sie den Netzstecker an.
- 9.6 Sprühen Sie die Lösung zwei Sekunden lang durch die Spritzpistole in einen sicheren Bereich. Sprühen Sie erneut zwei Sekunden lang. Ziehen Sie den Netzstecker der Spritzpistole und betätigen Sie den Triggerschalter, damit das Material in der Spritzpistole zurück in den Behälter fließt.
- 9.7 Wischen Sie die Außenseite des Behälters und der Spritzpistole ab, bis sie sauber sind.
- 9.8 Schrauben Sie Mutter **(1)** ab und entfernen Sie Luftkappe **(2)** und Düse **(3)**.
- 9.9 Reinigen Sie Behälter, Ansaugrohr, Luftkappe und Düse mit einer Reinigungsbürste und der entsprechenden Reinigungslösung.

**Reinigen Sie keinesfalls die Düse oder die Luftlöcher der Spritzpistole mit scharfen Metallgegenständen.**

**Verwenden Sie keine silikonhaltigen Lösungs- oder Schmiermittel.**

- 9.10 Drehen Sie die beiden Knöpfe auf beiden Seiten der Kompressor-Baugruppe in die Position „Entriegeln“, ziehen Sie die Spritzpistole ab und trennen Sie sie von der Kompressor-Baugruppe. (Siehe **Abb. B**).
- 9.11 **(a)** Reinigen Sie die Rückseite der Spritzpistole mit der entsprechenden Reinigungslösung.  
**(b)** Drehen Sie das Ansaugrohr gegen den Uhrzeigersinn und ziehen Sie es nach unten, um es von der Spritzpistole zu demontieren. Reinigen Sie anschließend das Ansaugrohr mit der entsprechenden Reinigungslösung.

## 10. Wartung

(Siehe **Abb. H**).

**Sie müssen den Luftfilter in der Kompressor-Baugruppe auf übermäßige Verschmutzung überprüfen. Wenn er ver-**

**schmutzt ist, folgen Sie den nachstehenden Schritten, um ihn auszutauschen.**

- a. Ziehen Sie den Netzstecker der Spritzpistole. Entfernen Sie die Filterabdeckung mit den Händen.
- b. Entfernen Sie die verschmutzten Filter und ersetzen Sie sie durch neue.

- c. Bringen Sie die Abdeckung wieder am Gerätegehäuse an.

**Betreiben Sie Ihr Gerät keinesfalls ohne die Luftfilter. Schmutz könnte angesaugt werden und die Funktion des Geräts beeinträchtigen.**

**11. Fehlerbehebung**

Problem	Ursache	Lösung
A. Wenig oder kein Materialfluss	<ul style="list-style-type: none"> <li>1. Düse verstopft.</li> <li>2. Ansaugrohr verstopft.</li> <li>3. Materialmenge zu niedrig eingestellt (-).</li> <li>4. Ansaugrohr lose.</li> <li>5. Kein Druckaufbau im Behälter.</li> <li>6. Luftfilter verstopft.</li> </ul>	<ul style="list-style-type: none"> <li>1. Reinigen.</li> <li>2. Reinigen.</li> <li>3. Mengeneinstellung erhöhen (+).</li> <li>4. Einsetzen.</li> <li>5. Behälter festziehen.</li> <li>6. Ändern.</li> </ul>
B. Material tritt aus	<ul style="list-style-type: none"> <li>1. Düse locker.</li> <li>2. Düse verschlissen.</li> <li>3. Düsendichtung verschlissen.</li> <li>4. Materialansammlung an Luftkappe und Düse</li> </ul>	<ul style="list-style-type: none"> <li>1. Anziehen.</li> <li>2. Austauschen.</li> <li>3. Austauschen.</li> <li>4. Reinigen.</li> </ul>
C. Zerstäubung zu grob	<ul style="list-style-type: none"> <li>1. Viskosität des Materials zu hoch.</li> <li>2. Materialmenge zu groß.</li> <li>3. Materialmenge zu hoch eingestellt (+).</li> <li>4. Düse verstopft.</li> <li>5. Luftfilter verstopft.</li> <li>6. Zu geringer Druckaufbau im Behälter.</li> </ul>	<ul style="list-style-type: none"> <li>1. Verdünnen.</li> <li>2. Mengeneinstellung verringern (-).</li> <li>3. Mengeneinstellung verringern (-).</li> <li>4. Reinigen.</li> <li>5. Ändern.</li> <li>6. Behälter festziehen.</li> </ul>
D. Sprühstrahl pulsiert	<ul style="list-style-type: none"> <li>1. Material im Behälter geht zur Neige.</li> <li>2. Luftfilter verstopft.</li> </ul>	<ul style="list-style-type: none"> <li>1. Nachfüllen.</li> <li>2. Ändern.</li> </ul>
E. Muster läuft oder hängt	<ul style="list-style-type: none"> <li>1. Zuviel Material aufgetragen.</li> </ul>	<ul style="list-style-type: none"> <li>1. Materialmenge einstellen oder Bewegung der Spritzpistole erhöhen.</li> </ul>

<p>F. Zuviel Überspritzung</p>	<p>1. Pistole zu nahe am Spritzobjekt. 2. Zu viel Material aufgetragen.</p>	<p>1. Abstand vergrößern. 2. Mengeneinstellung verringern (-).</p>
<p>G. Muster sehr hell und fleckig.</p>	<p>1. Spritzpistole zu schnell bewegt.</p>	<p>1. Materialmenge anpassen oder Bewegung der Spritzpistole verringern.</p>

### 12. Technische daten

Spannung: . . . . . 220-240 V~  
 Nennleistung: . . . . . 500 W  
 Max. Viskosität: . . . . . 100 DIN<sub>s</sub>  
 Schutzart: . . . . . doppelt isoliert  
 Gewicht: . . . . . 1,40 kg

### 13. Entsorgung



*Entsorgen Sie Elektrowerkzeuge nicht über den Hausmüll.*

Das Elektrowerkzeug befindet sich in einer Verpackung, um Transportschäden zu verhindern. Diese Verpackung ist Rohstoff und ist somit wieder verwendbar oder kann dem Rohstoffkreislauf zurückgeführt werden. Das Elektrowerkzeug und dessen Zubehör bestehen aus verschiedenen Materialien, wie z.B. Metall und Kunststoffe. Führen Sie defekte Bauteile der Sondermüllentsorgung zu. Fragen Sie im Fachgeschäft oder in der Gemeindeverwaltung nach!

### 14. EG-Konformitätserklärung

Wir, die **Batavia B.V., Weth. Wassebalie-straat 6d, NL-7951 SN Staphorst**, erklären in alleiniger Verantwortung, dass das Produkt **Artikel Nr. 7063912, Modell Nr. BT-PSG013** den wesentlichen Schutzanforderungen genügt, die in den Europäischen Richtlinien **2014/30/EU Elektromagnetische Verträglichkeit (EMV), 2006/42/EG Maschinen, RoHS: 2011/65/EU** und deren Änderungen festgelegt sind. Für die Konformitätsbewertung wurden folgende harmonisierte Normen herangezogen:

**EN 60745-1:2009/A1:2010**

**EN 50580:2012/A1:2013**

**EN 55014-1:2017**

**EN 55014-2:2015**

**PAHs: AfPS GS 2019:01**

Staphorst, den 12. Juli 2021

Meino Seinen, Qualitätsbeauftragter  
 Batavia B.V., Weth. Wassebaliestraat 6d,  
 7951 SN Staphorst, Niederlande

Das Produkt und das Benutzerhandbuch können geändert werden. Die technischen Daten können ohne Vorankündigung geändert werden.



## Cher client

Les manuels d'utilisation contiennent des consignes importantes pour la manipulation de votre nouveau produit. Ils vous permettent d'utiliser toutes les fonctions, d'éviter des erreurs de compréhension et de prévenir les dommages.

Veillez prendre le temps de lire tranquillement ce manuel d'utilisation et conservez-le jalousement pour une consultation ultérieure.

### 1. Explication des symboles

Les symboles suivants sont utilisés dans le manuel d'utilisation ou apposés sur le produit :



**AVERTISSEMENT** : pour réduire les risques de blessures, veuillez lire le mode d'emploi.



Indique un risque de blessures, un danger mortel ou un risque d'endommagement de l'outil en cas de non-respect des consignes de ce mode d'emploi.



Portez un masque antipoussière. Le travail du bois et d'autres matériaux peut générer des poussières nocives pour la santé. Les matériaux contenant de l'amiante ne doivent pas être utilisés.



Portez des lunettes de protection. Les étincelles provoquées par le travail ou les éclats, les copeaux et les poussières provenant de l'appareil électrique peuvent entraîner la perte de la vue.



CE est l'abréviation de "Conformité Européenne", ce qui signifie "conforme aux directives de l'Union Européenne". Le fabricant confirme par le marquage CE que cet appareil électrique correspond aux directives européennes en vigueur.



Ne jetez pas les équipements électriques avec les ordures ménagères.

## 2. Consignes générales de sécurité pour appareils électriques



**Avertissement ! Lisez attentivement les instructions.**

Le non-respect de toutes les instructions indiquées ci-dessous peut entraîner un risque de choc électrique, d'incendie et/ou de blessures graves.

### Conservez ces instructions !

Le terme "appareil électrique" mentionné dans tous les avertissements ci-dessous se rapporte à un appareil électrique qui se branche au réseau électrique (grâce à un câble d'alimentation) ou à un appareil électrique (sans fil) fonctionnant grâce à une batterie.

#### 2.1 Espace de travail

- a. **Veillez toujours à garder votre espace de travail propre et bien éclairé.** Les espaces mal rangés et sombres peuvent être la cause d'accidents.
- b. **N'utilisez pas les appareils électriques dans des environnements susceptibles d'explosion, par exemple en présence de liquides inflammables, de gaz ou de particules.** Les appareils électriques provoquent des étincelles qui peuvent enflammer les particules des émanations.
- c. **Veillez à garder éloignés les enfants et les personnes se trouvant dans votre voisinage, lors de l'utilisation d'un appareil électrique.** Les distractions peuvent vous faire perdre le contrôle de l'appareil.

#### 2.2 Mesures de sécurité électriques

- a. **Les prises des appareils électriques doivent être raccordées à la prise murale correspondante. Ne modifiez jamais la prise de l'appareil, de quelque façon que ce soit. N'utilisez pas d'adaptateurs qui mettent les appareils électriques à la terre (mise à la masse).** Des prises non modifiées et branchées à la prise murale correspondante réduiront les risques de choc électrique.
- b. **Évitez le contact direct avec les surfaces mises à la terre ou mises à la masse comme les canalisations, les**

- radiateurs, les cuisinières et les réfrigérateurs.** En effet, le risque de choc électrique s'accroît si votre corps est mis à la terre ou à la masse.
- c. **N'utilisez pas d'outils électriques dans des environnements pluvieux ou humides.** Si de l'eau s'introduit dans un appareil électrique, le risque de choc électrique augmentera.
  - d. **N'utilisez pas le câble de manière abusive. N'utilisez jamais le câble pour transporter, tirer ou débrancher l'appareil électrique. Veillez à garder le câble éloigné des sources de chaleur, des huiles, des rebords coupants ou des pièces actionnées.** Les câbles endommagés ou entremêlés augmentent le risque de choc électrique.
  - e. **Lorsque un appareil est utilisé à l'extérieur, utilisez uniquement un câble prolongateur prévu à cet effet.** L'utilisation d'un câble à usage extérieur réduit le risque de choc électrique.
  - f. **Utilisez toujours l'outil avec un dispositif de disjoncteur résiduel.** L'utilisation d'un dispositif de disjoncteur résiduel réduit le risque de choc électrique.
- 2.3 Sécurité personnelle**
- a. **Restez vigilant, gardez un œil sur ce que vous faites et utilisez votre sens commun lors de l'utilisation d'un appareil électrique. N'utilisez pas un appareil électrique si vous êtes fatigué ou si vous êtes sous l'influence de drogues, d'alcool ou si vous prenez des médicaments.** Un moment d'inattention lors de l'utilisation des appareils électriques peut entraîner des blessures graves.
  - b. **Utilisez des équipements de protection. Protégez-vous toujours les yeux.** Les équipements de protection, tels qu'un masque à poussière, des lunettes de protection, des chaussures antidérapantes, des protections auditives ou un casque de sécurité, utilisés dans de bonnes conditions, réduiront le risque de blessures.
  - c. **Évitez tout démarrage involontaire. Assurez-vous que l'interrupteur est sur la position "arrêt" avant de le connecter à la source d'alimentation et / ou à la batterie, de prendre ou de transporter l'appareil.** En effet, le transport des appareils électriques en gardant vos doigts sur l'interrupteur, ou le branchement de ces appareils en ayant l'interrupteur sur "marche" est source d'accidents.
  - d. **Retirez les clés de réglage ou les clés de vis de réglage avant d'allumer l'appareil électrique.** Une clé de vis de réglage ou une clé, laissée sur une pièce en mouvement de l'appareil électrique, peut entraîner des lésions corporelles.
  - e. **Ne vous surélevez pas. Gardez toujours vos pieds à plat et gardez votre équilibre.** Ceci permet de mieux contrôler l'appareil électrique dans des situations imprévues.
  - f. **Habillez-vous convenablement. Ne portez pas de vêtements lâches ou de bijoux. Gardez vos cheveux, vêtements et gants éloignés des pièces actionnées.** En effet, ces derniers peuvent être pris dans les pièces en action.
  - g. **Si des dispositifs sont fournis pour la connexion des équipements d'évacuation et de récupération de la poussière, assurez-vous que ces derniers soient correctement connectés et utilisés.** L'utilisation de ces équipements réduit les risques liés à la poussière.
  - h. **Ne laissez pas la familiarité acquise grâce à l'utilisation fréquente des outils vous permettre de devenir complaisant et d'ignorer les principes de sécurité des outils.** Une action imprudente peut causer des blessures graves en une fraction de seconde.
- 2.4 Utilisation et entretien d'un appareil électrique**
- a. **Ne forcez pas l'appareil électrique. Utilisez l'appareil électrique adéquat pour votre application.** Un appareil électrique correctement choisi assurera un meilleur travail et un travail sans danger, au rythme auquel il a été conçu.

- b. **N'utilisez pas l'appareil électrique si l'interrupteur marche/arrêt ne fonctionne pas.** Un appareil électrique qui ne peut pas être commandé par l'interrupteur de contrôle est dangereux et doit être réparé.
- c. **Débranchez la prise du bloc d'alimentation et / ou retirez la batterie, si elle est détachable, de l'outil électrique avant d'effectuer des réglages, de changer d'accessoires ou de ranger des outils électriques.** Ces mesures de sécurité préventives réduiront le risque de démarrage involontaire de l'appareil électrique.
- d. **Rangez les appareils électriques non utilisés hors de la portée des enfants, soit en hauteur, soit sous clef, et ne laissez aucune personne, non familiarisée avec l'outil ou ces instructions, utiliser l'appareil électrique.** Les appareils électriques sont dangereux entre les mains d'utilisateurs non formés.
- e. **Entretenez les appareils électriques. Vérifiez les pièces endommagées. Avant de réutiliser l'outil, il est recommandé de vérifier soigneusement un protecteur endommagé, ou une autre partie, pour déterminer si il peut fonctionner correctement et remplir sa fonction. Vérifiez tout défaut d'alignement et le mouvement libre des pièces en mouvement, la rupture de ces dernières, et les autres conditions qui peuvent affecter le fonctionnement des appareils électriques. En cas de dommages et sauf indications contraires dans le présent manuel faites réparer l'appareil électrique par un service agréé avant de le réutiliser.** Nombreux sont les accidents provoqués par des appareils électriques mal entretenus. Les interrupteurs défectueux doivent être remplacés par un service agréé. Ne pas utiliser l'outil si l'interrupteur ne commande plus ni l'arrêt ni la marche.
- f. **Veillez à garder les outils coupants aiguisés et propres pour une plus sûre et meilleure performance.** Des outils coupants correctement entretenus avec

des lames aiguisées sont moins susceptibles de se bloquer et sont plus faciles à contrôler.

- g. **Utilisez l'appareil électrique, les accessoires et les embouts, etc., conformément à ces instructions et de la manière prévue pour le type spécifique de l'appareil électrique, en prenant en compte les conditions de travail et le travail à effectuer.** L'utilisation de l'appareil électrique dans des applications différentes de celles prévues peut entraîner des situations dangereuses.
- h. **Gardez les poignées et les surfaces de préhension sèches, propres et exemptes d'huile et de graisse.** Les poignées et les surfaces de préhension glissantes ne permettent pas une manipulation et un contrôle sûrs de l'outil dans des situations inattendues.

## 2.5 Maintenance

- a. **Veillez recourir à un technicien qualifié qui utilisera des pièces d'origine pour réparer votre outil électrique.** C'est ainsi que vous vous assurerez d'un bon fonctionnement de votre outil.

## 3. Autres avertissements de sécurité relatifs aux pistolets de pulvérisation électriques

Pour réduire les risques d'incendie ou d'explosion, d'électrocution et de blessures, lisez et comprenez toutes les instructions incluses dans ce manuel. Familiarisez-vous avec les commandes et l'utilisation correcte de l'équipement.



*Indique une situation dangereuse qui, si elle n'est pas évitée, peut entraîner la mort ou des blessures graves.*

### a. DANGER : EXPLOSION OU INCENDIE

Les vapeurs de solvants et de peintures peuvent exploser ou s'enflammer. Des blessures graves ou des dommages matériels peuvent survenir.

#### PRÉVENTION :

- Assurez-vous qu'il y ait une ventilation adéquate dans la zone de pulvérisation et une quantité suffisante d'air frais

dans l'ensemble de la pièce. L'évaporation de solvants inflammables rend l'environnement explosif.

- Évitez toutes les sources d'inflammation telles que les étincelles d'électricité statique, les flammes nues, les veilleuses, les appareils électriques et les objets chauds. Le branchement ou le débranchement des cordons d'alimentation ou l'actionnement des interrupteurs peuvent produire des étincelles.
- Ne fumez pas dans la zone de pulvérisation.
- Un extincteur doit être présent et en bon état de fonctionnement.
- Ne l'utilisez qu'à l'extérieur, dans un endroit bien ventilé. Les vapeurs inflammables sont souvent plus lourdes que l'air. La turbine contient des pièces produisant des arcs électriques qui émettent des étincelles et peuvent enflammer les vapeurs.
- Respectez les avertissements et les consignes du fabricant du produit et du solvant.
- N'utilisez pas de produits dont le point d'éclair est inférieur à 21 °C. Le point d'éclair est la température à laquelle un fluide peut produire suffisamment de vapeurs pour s'enflammer (voir le fournisseur du revêtement).
- Le plastique peut provoquer des étincelles d'électricité statique. Ne suspendez jamais de plastique pour entourer la zone de pulvérisation.
- N'utilisez pas de toiles de protection en plastique lorsque vous pulvériser des produits inflammables.

**b. DANGER : RISQUE D'EXPLOSION EN RAISON DE MATÉRIAUX INCOMPATIBLES.**

Peut causer des dommages matériels ou des blessures graves.

**PRÉVENTION :**

- N'utilisez pas de produits contenant de l'eau de Javel ou du chlore.
- N'utilisez pas de solvants à base d'hydrocarbures halogénés tels que l'eau de Javel, un agent anticryptogamique, le chlorure de méthylène et le 1,1,1-trichloro-

roéthane. Ils ne sont pas compatibles avec l'aluminium.

- Contactez votre fournisseur de revêtement pour connaître la compatibilité du produit avec l'aluminium.

**c. DANGER : VAPEURS DANGEREUSES**

Les peintures, solvants, insecticides et autres produits peuvent être nocifs s'ils sont inhalés ou entrent en contact avec le corps. Les vapeurs peuvent provoquer de graves nausées, des évanouissements ou un empoisonnement.

**PRÉVENTION :**

- Utilisez un masque ou un masque à gaz si les vapeurs peuvent être inhalées. Lisez toutes les instructions fournies avec le masque pour vous assurer qu'il offrira la protection nécessaire.
- Portez des lunettes de protection.
- Portez des vêtements de protection comme l'exige le fabricant du revêtement.

**d. DANGER : EN GÉNÉRAL**

Peut causer des blessures graves ou des dommages matériels.

**PRÉVENTION :**

- Respectez tous les codes locaux, régionaux et nationaux appropriés régissant la ventilation, la prévention des incendies ainsi que l'utilisation.
- N'utilisez que des pièces autorisées par le fabricant. L'utilisateur assume tous les risques et responsabilités lors de l'utilisation de pièces qui ne répondent pas aux spécifications minimales et aux dispositifs de sécurité du fabricant.
- Ne pulvériser pas à l'extérieur les jours de grand vent.
- Portez des vêtements de protection afin d'éviter que la peinture ne touche la peau et les cheveux.
- Ne dirigez jamais le pistolet vers une partie du corps.
- Ne dirigez jamais le pistolet vers des personnes ou des animaux.

## 4. Informations importantes relatives à l'électricité

- 4.1 La fiche de l'outil doit s'adapter à la prise. La fiche ne peut être modifiée sous quelque forme que ce soit. N'utilisez pas de fiches d'adaptation avec des outils mis à la terre.**  
Des fiches non modifiées et des prises adaptées réduisent le risque d'électrocution.
- 4.2 Évitez tout contact physique avec les surfaces mises à la terre, telles que les tuyaux, les éléments chauffants, les cuisinières et les réfrigérateurs.** Le risque d'électrocution augmente si votre corps est mis à la terre.
- 4.3 Tenez l'équipement à l'écart de la pluie et de l'humidité.** Le risque d'électrocution augmente si l'eau pénètre dans l'équipement électrique.
- 4.4 Ne faites pas un mauvais usage du câble d'alimentation en portant l'outil par le câble, en le suspendant au câble ou en tirant sur le câble pour retirer la fiche. Maintenez le câble éloigné des sources de chaleur, des parties huilées, des bords tranchants ou des parties de l'outil en rotation.** Le risque d'électrocution augmente si les câbles sont endommagés ou tordus.
- 4.5 Si vous travaillez à l'extérieur, utilisez uniquement des rallonges homologuées pour l'extérieur.** L'utilisation d'une rallonge adaptée à l'extérieur réduit le risque d'électrocution.

## 5. Avant la première utilisation

Retirez la machine et les accessoires de l'emballage. Conservez les matériaux d'emballage hors de la portée des enfants. Il y a un risque d'étouffement !

## 6. Contenu de l'emballage

- 1 pistolet de pulvérisation électrique
- 4 buses : 2,5 mm (montées sur l'appareil), 1,5 mm/2,0 mm/3,0 mm
- 1 aiguille de nettoyage
- 1 tasse de mesure de la viscosité
- 1 brosse de nettoyage
- 1 guide d'utilisation

## 7. Utilisation prévue

Le pistolet de pulvérisation de peinture Maxxspray convient à l'application de peinture, de laque, d'apprêt, de scellant, de teinture et de peinture murale intérieure.

- Toute autre utilisation ou modification de l'appareil est considérée comme non conforme et comporte un risque important d'accident.
- L'utilisation de peintures, de laques ou de diluants facilement inflammables et combustibles est strictement interdite.
- L'utilisation prévue comprend également une utilisation conforme au mode d'emploi.
- Toute utilisation en dehors de ces paramètres peut entraîner des risques graves et est considérée comme une utilisation contraire à l'usage prévu.
- Cet appareil n'est pas destiné à une utilisation commerciale.

## 8. Assemblage

(Voir Fig. A, B).

### 8.1 Assemblez le pistolet de pulvérisation dans le boîtier principal

- Insérez le pistolet de pulvérisation (16) dans le boîtier principal (5) dans la position « ouvrir le verrou » du boîtier principal. Tournez-le dans le sens des aiguilles d'une montre.
- Verrouillez le boîtier principal et l'ensemble du pistolet de pulvérisation à l'aide du verrou de déblocage rapide (9).

### 8.2 Alignement du tube d'aspiration

(Voir Fig. C, G).

- Si vous prévoyez pulvériser du haut vers le bas, l'extrémité coudée du tube d'aspiration (17) doit être dirigée vers l'avant du pistolet.
- Si vous prévoyez pulvériser du bas vers le haut, l'extrémité coudée du tube d'aspiration (17) doit être dirigée vers l'arrière du pistolet.
- En orientant le tube d'aspiration dans la bonne direction, vous n'aurez pas à recharger le réservoir aussi souvent.

### 8.3 Préparation du produit

#### Viscosité

- L'appareil peut traiter des produits de pulvérisation jusqu'à un maximum de 100 DIN<sub>5</sub> (viscosité). Vous pouvez déterminer la viscosité (l'épaisseur) de la substance à l'aide de la coupe de mesure fournie en utilisant une procédure de mesure simplifiée.
- Avant de pulvériser, il peut être nécessaire de diluer le produit utilisé avec le solvant approprié, comme indiqué par le fabricant du produit. N'allez jamais au-delà des conseils de dilution donnés par le fabricant du revêtement.
- N'utilisez pas de produit dont le point d'éclair est inférieur à 21 °C. Suivez les instructions ci-dessous.

#### 8.4 Dilution de la peinture

- a. Remuez bien le produit à pulvériser avant de mesurer la viscosité.
- b. Plongez complètement la coupe de test de viscosité (15) dans le produit à pulvériser.
- c. Tenez la coupe de test (15) en l'air et mesurez le temps (en secondes) jusqu'à ce que le jet de liquide s'arrête. La valeur qui en résulte est appelée DIN-secondes (DIN<sub>5</sub>).
- d. Si la valeur est trop élevée, diluez progressivement le produit à pulvériser en ajoutant de petites quantités d'un diluant approprié et en mélangeant le liquide.
- e. Mesurez à nouveau les DIN-secondes. Répétez le processus jusqu'à ce que vous mesuriez une viscosité inférieure à 100 DIN-secondes.
  - Ne dépassez pas la viscosité maximale de l'appareil. Le produit à pulvériser ne doit pas être trop épais. Sinon, l'appareil risque de se boucher.
  - Assurez-vous que le produit à pulvériser et le diluant sont compatibles. L'utilisation d'un diluant inadapté peut provoquer la formation de caillots qui bouchent l'appareil. Ne mélangez jamais les vernis à base de résine synthétique avec des diluants à base de cellulose.

- Les produits granulaires et les produits contenant des particules solides ne doivent pas être pulvérisés. Leur effet abrasif réduira la durée de vie de la pompe et de la vanne.
- Le produit à pulvériser doit toujours être filtré dans le but d'éliminer toute impureté dans la peinture qui pourrait pénétrer dans le système et le boucher. Les impuretés dans la peinture donnent de mauvaises performances et une mauvaise finition.



**Le point d'éclair du produit doit être supérieur ou égal à 21 °C.**

#### 8.5 Remplissage du réservoir

(Voir Fig. G).

- a. Dévissez le réservoir (11) du pistolet de pulvérisation.
- b. Une fois que le produit a été correctement dilué et filtré, remplissez le réservoir.
- c. Revissez délicatement le réservoir sur le pistolet de pulvérisation.

#### 8.6 Réglage de la forme du jet

(Voir Fig. D).

La forme du jet est réglée en tournant le capuchon d'entrée d'air (2) en position verticale, horizontale ou diagonale. Les positions du capuchon d'entrée d'air et les formes de jet correspondantes sont illustrées (Voir Fig. D). Testez chaque motif et utilisez celui qui convient à votre application.

#### 8.7 Réglage de l'écoulement du produit

Réglez le volume du produit en tournant le bouton de réglage du produit. (8).

#### 8.8 Technique de pulvérisation appropriée

- Si la pulvérisation à l'aide d'un système de pulvérisation HVLP est nouvelle pour vous ou ne vous est pas familière, il est conseillé de s'entraîner sur un morceau de bois ou de carton avant de commencer sur la pièce prévue.

#### a. Préparation de la surface

- Couvrez soigneusement une grande surface autour de la surface à pulvériser. Toute surface qui n'est pas couverte peut être contaminée.

- Assurez-vous que la surface est propre, sèche et exempte de graisse.
- Les surfaces polies doivent être légèrement poncées et la poussière de ponçage enlevée.

#### b. Comment pulvériser correctement

(Voir Fig. E, F).

- Tenez le pistolet de pulvérisation à une distance constante de l'objet. La distance idéale de pulvérisation est d'environ 15 cm.
- Pulvérisez uniformément de haut en bas en effectuant des passes régulières à une vitesse constante, tel qu'illustré à la Fig. E. Cela permet d'éviter les irrégularités dans la finition (c'est-à-dire les coulures et les affaissements).
- Appliquez toujours une fine couche du produit lors du premier passage et laissez sécher avant d'appliquer une seconde couche, légèrement plus épaisse.
- Plus votre pulvérisateur est proche de l'objet à pulvériser, plus la pulvérisation est excédante.
- Lors de la pulvérisation, appuyez toujours sur la gâchette du pistolet et maintenez-la enfoncée après le début de la passe et relâchez la gâchette avant d'arrêter la passe. Tenez toujours le pistolet bien orienté vers la surface à pulvériser et chevauchez légèrement les passes afin d'obtenir la finition la plus uniforme et professionnelle possible.

#### 8.9 Mise en marche/arrêt du pistolet de pulvérisation

##### a. Mise en marche

- Insérez la fiche dans une prise de courant.
- Pour mettre le pistolet en marche, appuyez sur la gâchette (7) et maintenez-la enfoncée.

##### b. Arrêt

- Pour arrêter la pulvérisation, relâchez simplement la gâchette (7).
- Lorsque vous avez fini de travailler, débranchez la fiche de l'alimentation électrique.

## 9. Nettoyage du pistolet de pulvérisation

(Voir Fig. G).



*Instructions spéciales de nettoyage en cas d'utilisation de solvants inflammables (le point d'éclair doit être supérieur à 21 °C) :*

- Rincez toujours le pistolet à l'extérieur.
  - La zone doit être exempte de vapeurs inflammables.
  - La zone de nettoyage doit être bien ventilée.
  - **NE SUBMERGEZ PAS le compresseur d'air !**
- 9.1 Débranchez le pistolet de pulvérisation et déclenchez-le de manière à ce que le produit contenu dans le pistolet retourne dans le réservoir.
  - 9.2 Dévissez le réservoir (11). Videz le réservoir de tout produit restant.
  - 9.3 Versez une petite quantité de la solution de nettoyage appropriée dans le réservoir (eau chaude et savonneuse pour les produits à base de latex ; essence minérale pour les produits à base d'huile). Nettoyez le récipient et éliminez correctement la solution de nettoyage.
  - 9.4 Remplissez le réservoir avec la NOUVELLE solution de nettoyage.
  - 9.5 Fixez le réservoir au pistolet et branchez le pulvérisateur.
  - 9.6 Vaporisez la solution à travers le pistolet pendant deux secondes dans une zone sûre. Vaporisez à nouveau pendant deux secondes. Débranchez le pistolet de pulvérisation et déclenchez-le de manière à ce que le produit contenu dans le pistolet retourne dans le réservoir.
  - 9.7 Essuyez l'extérieur du réservoir et du pistolet jusqu'à ce qu'ils soient propres.
  - 9.8 Dévissez l'écrou (1) et retirez le capuchon d'entrée d'air (2) ainsi que la buse (3).
  - 9.9 Nettoyez le réservoir, le tube d'aspiration, le capuchon d'entrée d'air et la buse avec une brosse de nettoyage et la solution de nettoyage appropriée.

**Ne nettoyez jamais la buse ou les trous d'aération du pistolet de pulvérisation avec des objets métalliques pointus.**

**N'utilisez pas de solvants ou de lubrifiants contenant du silicone.**

- 9.10 Tournez les deux boutons situés de part et d'autre de l'ensemble compresseur d'air en position « Déverrouiller », tirez et séparez le pistolet de l'ensemble compresseur d'air. (Voir **Fig. B**).
- 9.11 **(a)** Nettoyez l'arrière du pistolet de pulvérisation avec la solution de nettoyage appropriée.  
**(b)** Tournez le tube d'aspiration dans le sens inverse des aiguilles d'une montre et tirez le tube d'aspiration vers le bas pour le démonter du pistolet de pulvérisation. Nettoyez ensuite le tube d'aspiration avec la solution de nettoyage appropriée.

## 10. Entretien

(Voir **Fig. H**).

**Vous devez inspecter le filtre à air de l'ensemble compresseur d'air afin de déterminer s'il est excessivement sale. S'il est sale, suivez les étapes ci-dessous pour le remplacer.**

- a. Débranchez le pistolet de pulvérisation. Retirez le couvercle du filtre avec vos mains directement.
- b. Retirez les filtres sales et remplacez-les par des neufs.
- c. Fixez le couvercle sur le boîtier principal.

**Ne faites jamais fonctionner votre appareil sans les filtres à air. Des saletés pourraient être aspirées et perturber le fonctionnement de l'appareil.**



## 11. Dépannage

Problème	Cause	Solution
A. Peu ou pas d'écoulement du produit	<ol style="list-style-type: none"> <li>1. Buse bouchée.</li> <li>2. Tube d'aspiration bouché.</li> <li>3. Le réglage du débit du produit est trop faible (-).</li> <li>4. Tube d'aspiration lâche.</li> <li>5. Pas d'accumulation de pression dans le réservoir.</li> <li>6. Filtre à air bouché.</li> </ol>	<ol style="list-style-type: none"> <li>1. Nettoyez-la.</li> <li>2. Nettoyez-la.</li> <li>3. Augmentez le réglage du débit (+).</li> <li>4. Insérez-le.</li> <li>5. Serrez le réservoir.</li> <li>6. Changez-le.</li> </ol>
B. Fuite de produit	<ol style="list-style-type: none"> <li>1. Buse lâche.</li> <li>2. Buse usée.</li> <li>3. Joint de la buse usé.</li> <li>4. Accumulation du produit sur le capuchon d'entrée d'air et sur la buse</li> </ol>	<ol style="list-style-type: none"> <li>1. Serrez-la.</li> <li>2. Remplacez-la.</li> <li>3. Remplacez-la.</li> <li>4. Nettoyez-la.</li> </ol>
C. L'atomisation est trop épaisse	<ol style="list-style-type: none"> <li>1. Viscosité du produit trop élevée.</li> <li>2. Le débit du produit est trop important.</li> <li>3. Débit du produit trop élevé (+).</li> <li>4. Buse bouchée.</li> <li>5. Filtre à air bouché.</li> <li>6. Pression dans le réservoir trop faible.</li> </ol>	<ol style="list-style-type: none"> <li>1. Réduisez-la</li> <li>2. Diminuez le réglage du volume (-).</li> <li>3. Diminuez le réglage du volume (-).</li> <li>4. Nettoyez-la.</li> <li>5. Changez-le.</li> <li>6. Serrez le réservoir.</li> </ol>
D. Le jet de pulvérisation est pulsé	<ol style="list-style-type: none"> <li>1. Le produit dans le réservoir est sur le point de se vider.</li> <li>2. Filtre à air bouché.</li> </ol>	<ol style="list-style-type: none"> <li>1. Rechargez-le.</li> <li>2. Changez-le.</li> </ol>
E. Le motif coule ou s'affaisse	<ol style="list-style-type: none"> <li>1. Application d'une trop grande quantité de produit.</li> </ol>	<ol style="list-style-type: none"> <li>1. Réglez l'écoulement du produit ou augmentez le mouvement du pistolet de pulvérisation.</li> </ol>
F. Excès de pulvérisation	<ol style="list-style-type: none"> <li>1. Pistolet trop proche de l'objet à pulvériser.</li> <li>2. Trop de produit appliqué.</li> </ol>	<ol style="list-style-type: none"> <li>1. Augmentez la distance.</li> <li>2. Diminuez le réglage du volume (-).</li> </ol>
G. Le motif est très léger et morcelé.	<ol style="list-style-type: none"> <li>1. Déplacement trop rapide du pistolet de pulvérisation</li> </ol>	<ol style="list-style-type: none"> <li>1. Réglez l'écoulement du produit ou diminuez le mouvement du pistolet de pulvérisation.</li> </ol>

## 12. Données techniques

Tension : . . . . . 220-240 V~  
 Puissance : . . . . . 500 W  
 Viscosité maximale : . . . . . 100 DIN<sub>s</sub>  
 Indice de protection : . . . . . double isolation  
 Poids : . . . . . 1,40 kg

## 13. Élimination et recyclage



*N'éliminez pas les appareils électriques via les ordures ménagères.*

L'appareil électrique se trouve dans un emballage afin d'éviter tout dommage pendant le transport. Cet emballage est une matière première et peut donc être réutilisé ultérieurement ou être réintroduit dans le circuit des matières premières. L'appareil électrique et ses accessoires sont composés de plusieurs matériaux, par exemple des métaux et des matières plastiques. Éliminez les composants défectueux via les systèmes d'élimination des déchets spéciaux. Renseignez-vous dans un magasin spécialisé ou auprès de l'administration de votre commune!

## 14. CE-Déclaration de conformité

Nous, **Batavia B.V., Weth. Wassebaliestraat 6d, NL-7951 SN Staphorst**, déclarons sous notre seule responsabilité que le produit **article no. 7063912, modèle BT-PSG013**, satisfait les principales exigences de protection définies dans les directives européennes **compatibilité électromagnétique 2014/30/EU (CEM), 2006/42/CE (machines), RoHS: 2011/65/EU** ainsi que les modifications y apportées. Pour évaluer la conformité nous avons eu recours aux normes harmonisées ci-dessous:

**EN 60745-1:2009/A1:2010**

**EN 50580:2012/A1:2013**

**EN 55014-1:2017**

**EN 55014-2:2015**

**PAHs: AfPS GS 2019:01**

Staphorst, le 12 juillet 2021

Meino Seinen, Responsable de qualité  
 Batavia B.V., Weth. Wassebaliestraat 6d,  
 7951 SN Staphorst, Pays-Bas

Le produit et le manuel utilisateur peuvent être modifiés. Les caractéristiques techniques peuvent être modifiées sans préavis.

## Geachte klant

Gebruikershandleidingen verstrekken nuttige tips m.b.t. gebruik van uw nieuwe apparaat. Ze helpen u alle functies te gebruiken, misverstanden te voorkomen en beschadiging te vermijden. Neem de tijd deze handleiding zorgvuldig te lezen en bewaar het als naslagwerk.

### Lees alstublieft alle veiligheidsinstructies!

Deze handleiding bevat belangrijke informatie over het bedienen en hanteren van het apparaat. Bewaar deze gebruiksaanwijzing voor verdere verwijzing. Gelieve het samen met het toestel door te geven als deze aan derden wordt overhandigd.

## 1. Uitleg van de symbolen

De volgende symbolen worden gebruikt in de gebruikershandleiding of op het product:



**WAARSCHUWING** – Lees de gebruiksaanwijzing om het risico op letsel te verminderen.



**Gevaar voor lichamelijk letsel of materiële schade wanneer de instructies in deze handleiding niet worden opgevolgd.**



**Draag een stofmasker. Bij het bewerken van hout en andere materialen kunnen schadelijk stoffen vrijkomen. Er mogen geen asbesthoudende materialen worden verwerkt!**



**Draag een veiligheidsbril. Vonken die tijdens het werk ontstaan, of van de machine afkomstige splinters, spaanders en stof kunnen leiden tot oogbeschadiging.**



**CE staat voor: „Conformité Européenne”. Dit betekent: „Voldoet aan EU-richtlijnen”. Met de CE-markering bevestigt de fabrikant dat deze machine voldoet aan de geldende Europese richtlijnen.**



**De machine mag niet worden afgevoerd met het huishoudelijk afval.**

## 2. Algemene veiligheidsvoorschriften voor elektrisch gereedschap



**Waarschuwing! Lees alle instructies goed door.**

Het niet opvolgen van onderstaande instructies kan leiden tot een elektrische schok, brand en/of ernstig persoonlijk letsel.

### Bewaar deze instructies!

De term “elektrisch gereedschap” in onderstaande waarschuwingen heeft betrekking op zowel apparatuur met een vaste elektriciteitskabel als op apparatuur met een accu (draadloze apparatuur).

#### 2.1 Werkgebied

- a. **Zorg voor een opgeruimde en goed verlichte werkomgeving.** Rommelige en donkere werkomgevingen leiden tot ongelukken.
- b. **Gebruik elektrisch gereedschap nooit in een omgeving waar explosiegevaar bestaat, zoals in de nabijheid van ontvlambare vloeistoffen, gassen, dampen of andere stoffen.** Elektrische gereedschappen kunnen vonken veroorzaken, die deze stoffen tot ontbranding kunnen brengen.
- c. **Wanneer u elektrisch gereedschap gebruikt, houd dan kinderen en omstanders op afstand.** Wanneer u wordt afgeleid, kunt u de controle over het gereedschap verliezen.

#### 2.2 Elektrische veiligheid

- a. **Stekkers van elektrische gereedschappen moeten probleemloos passen op het stopcontact. Breng nooit wijzigingen aan in of aan de stekker. Gebruik geen adapters voor gearde elektrische gereedschappen.** Standaardstekkers en passende stopcontacten verkleinen de kans op een elektrische schok.
- b. **Voorkom lichamelijk contact met gearde oppervlakken van bijvoorbeeld pijpen, leidingen, radiatoren, fornuizen en koelkasten.** Wanneer uw lichaam geard is, wordt de kans op een elektrische schok groter.
- c. **Stel elektrische gereedschappen nooit bloot aan regen of vocht.** Wanneer er water binnendringt in een elektrisch

gereedschap, wordt de kans op een elektrische schok groter.

- d. **Gebruik het snoer niet om het elektrisch gereedschap te dragen, te verplaatsen of de stekker uit het stopcontact te trekken. Bescherm het snoer tegen olie, warmte, scherpe randen en bewegende delen.** Beschadigde of vastzittende snoeren vergroten de kans op een elektrische schok.
- e. **Wanneer u elektrische gereedschappen buiten gebruikt, gebruik dan een verlengkabel die geschikt is voor buitengebruik.** Door een kabel te gebruiken die geschikt is voor buitengebruik, wordt de kans op een elektrische schok kleiner.
- f. **Gebruik elektrische apparatuur altijd in combinatie met een reststroomverbreker.** Het gebruik van een reststroomverbreker maakt de kans op een elektrische schok kleiner.

### 2.3 Persoonlijke veiligheid

- a. **Blijf altijd alert, kijk goed wat u doet en gebruik uw gezonde verstand wanneer u een elektrisch gereedschap gebruikt. Gebruik geen elektrische gereedschappen wanneer u moe bent, of drugs, alcohol of medicijnen hebt gebruikt.** Eén moment van onachtzaamheid bij het gebruik van elektrische gereedschappen kan ernstige verwondingen tot gevolg hebben.
- b. **Gebruik veiligheidsvoorzieningen. Draag altijd een veiligheidsbril.** Een gepast gebruik van veiligheidsvoorzieningen, zoals een stof-masker, speciale werkschoenen met antislip-zolen, een veiligheidshelm en gehoor-bescherming verkleinen de kans op persoonlijk letsel.
- c. **Voorkom dat het gereedschap per ongeluk wordt gestart. Zorg dat de schakelaar op de UIT-positie staat, voordat u het apparaat aansluit op de stroombron en / of accu, en voordat u het apparaat oppakt of draagt.** Draag elektrisch gereedschap nooit met uw vinger op de schakelaar en steek ook nooit de stekker van ingeschakelde elektrische gereedschappen in het stopcontact: dit leidt tot ongelukken.

- d. **Verwijder alle instel- en andere sleutels uit het elektrisch gereedschap voordat u hem inschakelt.** Instel- en andere sleutels aan een ronddraaiend onderdeel van het elektrisch gereedschap kunnen tot verwondingen leiden.
  - e. **Zorg dat u nooit uw evenwicht kunt verliezen; houd altijd twee voeten stevig op de vloer.** Hierdoor kunt u het elektrisch gereedschap in onverwachte situaties beter onder controle houden.
  - f. **Zorg dat u geschikte kleding draagt. Draag geen loshangende kleding of sieraden. Houd uw haar, kleding en handschoenen uit de buurt van bewegende delen.** Loshangende kleding, sieraden en lang haar kunnen vast komen te zitten in bewegende delen.
  - g. **Wanneer er voorzieningen zijn voor de aansluiting van stofafzuiginstallaties, zorg dan dat ze op de juiste wijze worden aangesloten en gebruikt.** Gebruik van deze voorzieningen vermindert de gevaren die door stof worden veroorzaakt.
  - h. **Geef uzelf geen vals gevoel van veiligheid en negeer de veiligheidsregels voor elektrisch gereedschap niet, zelfs niet als u na herhaald gebruik bekend bent met het elektrische gereedschap.** Een onzorgvuldige handeling kan binnen een fractie van een seconde ernstig letsel veroorzaken.
- ### 2.4 Gebruik en onderhoud van elektrisch gereedschap
- a. **Oefen geen overmatige kracht uit op elektrisch gereedschap. Gebruik het juiste gereedschap voor uw specifieke toepassing.** Met het juiste elektrische gereedschap voert u de taak beter en veiliger uit wanneer dit op de snelheid gebeurt waarvoor het apparaat is ontworpen.
  - b. **Gebruik nooit elektrisch gereedschap waarvan de AAN/UIT-schakelaar niet werkt.** Ieder elektrisch gereedschap dat niet kan worden in- en uitgeschakeld met de schakelaar is gevaarlijk en moet worden gerepareerd.

- c. **Haal de stekker uit het stopcontact en / of verwijder de accu, indien deze kan worden verwijderd, uit het elektrisch gereedschap voordat u aanpassingen aanbrengt, accessoires verwisselt of het elektrisch gereedschap opbergt.** Wanneer u zich aan deze preventieve veiligheidsmaatregelen houdt, beperkt u het risico dat het gereedschap per ongeluk wordt gestart.
- d. **Berg elektrisch gereedschap dat niet in gebruik is op buiten bereik van kinderen en laat personen die niet bekend zijn met het gereedschap of deze instructies het apparaat niet gebruiken.** Elektrisch gereedschap is gevaarlijk in de handen van ongeofende gebruikers.
- e. **Zorg voor een goed onderhoud van elektrisch gereedschap. Controleer of bewegende delen op de juiste wijze zijn vastgezet. Controleer ook of er geen onderdelen defect zijn of dat er andere omstandigheden zijn die van invloed kunnen zijn op de werking van het gereedschap. Laat het gereedschap bij beschadigingen repareren vóór gebruik.** Veel ongelukken worden veroorzaakt door slecht onderhoud van het gereedschap.
- f. **Zorg dat snij- en zaagwerktuigen scherp en schoon blijven.** Goed onderhouden snij- en zaagwerktuigen met scherpe randen zullen minder snel vastlopen en zijn eenvoudiger onder controle te houden.
- g. **Gebruik alle elektrische gereedschappen, accessoires, bitjes etc., zoals aangegeven in deze instructies en op de wijze waarvoor het gereedschap is ontworpen. Houd daarbij rekening met de werkomstandigheden en de uit te voeren taak.** Gebruik van elektrisch gereedschap voor handelingen die afwijken van de taken waarvoor het apparaat is ontworpen kunnen leiden tot gevaarlijke situaties.
- h. **Houd handgrepen en grijpvlakken droog, schoon en vrij van olie en vet.** Gladde handvatten en grijpvlakken zorgen ervoor dat het gereedschap in

onverwachte situaties niet veilig kan worden gehanteerd en gecontroleerd.

## 2.5 Service

- a. **Neem contact op met een gekwalificeerd specialist die originele onderdelen gebruikt bij de reparatie van uw elektrisch gereedschap.** Dit garandeert een goede werking van het apparaat.

## 3. Aanvullende veiligheids waarschuwingen voor elektrische spraypistolen

Om het risico op brand, explosies, elektrische schokken of persoonlijk letsel te verminderen, moet u alle instructies in deze handleiding lezen en begrijpen. Zorg dat u bekend bent met de bediening en het juiste gebruik van het apparaat.



*Geeft een gevaarlijke situatie aan die tot de dood of ernstig letsel kan leiden als u dit niet vermijdt.*

### a. GEVAAR: EXPLOSIE OF BRAND

Oplosmiddel en verdampen kunnen exploderen of ontsteken. Er kan ernstig letsel of schade aan uw eigendommen ontstaan.

#### VOORKOMEN:

- Zorg voor voldoende ventilatie in de sprayzone en voldoende frisse lucht in de gehele ruimte. Verdamping van ontvlambare oplosmiddelen veroorzaken een explosieve omgeving.
- Vermijd alle ontstekingsbronnen, zoals statische elektrische vonken, open vlammen, controlelampen, elektrische apparaten en hete objecten. Het aansluiten of loskoppelen van netsnoeren of werkende lichtschakelaars kan voor vonken zorgen.
- Rook niet in het spraygebied.
- Er moet een goedwerkende brandblusser aanwezig zijn.
- Gebruik het apparaat alleen buitenshuis in een goedgeventileerde ruimte. Ontvlambare dampen zijn vaak zwaarder dan lucht. De turbine bevat vonkvormende onderdelen die vonken uitstoten en dampen kunnen ontsteken.

- Volg de waarschuwingen en instructies van de fabrikant voor het materiaal en het oplosmiddel.
- Gebruik geen materialen met een vlam-punt onder de 21°C. Een vlam-punt is de temperatuur waarbij een vloeistof genoeg dampen kan produceren om te ontsteken (zie verfleverancier).
- Plastic kan statische vonken veroorzaken. Hang nooit plastic op om het spraygebied af te sluiten.
- Gebruik geen plastic zeilen als u ontvlambare materialen sprayt.

#### **b. GEVAAR: EXPLOSIEGEVAAR DOOR INCOMPATIBEL MATERIAAL.**

Dit kan leiden tot schade aan eigendommen of ernstig letsel.

##### **VOORKOMEN:**

- Gebruik geen materialen met bleek of chloor.
- Gebruik geen oplosmiddelen met halogeenhoudende koolwaterstoffen zoals bleek, meeldauwcide, methyleenchloride en 1,1,1-trichloorethaan. Dit is niet compatibel met aluminium.
- Neem contact op met uw verfleverancier over de compatibiliteit van het materiaal met aluminium.

#### **c. GEVAAR: GEVAARLIJKE DAMPEN**

Verf, oplosmiddelen, insecticiden en andere materialen kunnen schadelijk zijn wanneer ze worden geïnhaleerd of in contact komen met het lichaam. Dampen kunnen ernstige misselijkheid, flauwvallen of vergiftiging veroorzaken.

##### **VOORKOMEN:**

- Gebruik een stofmasker of masker als de dampen kunnen worden geïnhaleerd. Lees alle instructies die zijn meegeleverd met het masker om er zeker van te zijn dat het de nodige bescherming biedt.
- Draag oogbescherming.
- Draag beschermende kleding zoals vereist door de verfleverancier.

#### **d. GEVAAR: ALGEMEEN**

Kan ernstig letsel of schade aan eigendommen veroorzaken.

##### **VOORKOMEN:**

- Volg alle toepasselijke lokale, staats- en nationale richtlijnen met betrekking tot ventilatie, brandpreventie en bediening.
- Gebruik alleen door de leverancier geautoriseerde onderdelen. Gebruiker aanvaardt alle risico's en aansprakelijkheden tijdens het gebruik van onderdelen die niet voldoen aan de minimale specificaties en veiligheidsvoorzieningen van de fabrikant.
- Spray niet buiten op winderige dagen.
- Draag beschermende kleding om te zorgen dat u geen verf op huid of haar krijgt.
- Richt het spraypistool nooit op een lichaamsdeel.
- Richt het spraypistool niet op mensen of dieren.

## **4. Belangrijke elektrische informatie**

- 4.1 De stekker moet in het stopcontact passen. De stekker mag niet worden aangepast. Gebruik geen adapters in combinatie met gearde apparaten.** Ongewijzigde stekkers en geschikte stopcontacten vermindert u het risico op elektrische schokken.
- 4.2 Vermijd fysiek contact met gearde oppervlaktes, zoals buizen, verwarmingselementen, fornuizen en koelkasten.** Het risico van elektrische schokken neemt toe als uw lichaam geard is.
- 4.3 Houd het apparaat uit de buurt van regen en vocht.** Het risico op een elektrische schok neemt toe als het water het elektrische apparaat penetreert.
- 4.4 Pak het apparaat niet vast bij de kabel, hang het niet op aan de kabel en trek niet aan de kabel om de stekker uit het stopcontact te trekken. Houd de kabel uit de buurt van hitte, olie, scherpe randen of bewegende apparaatonderdelen.** Beschadigde of gedraaide kabels verhogen het risico op elektrische schokken.
- 4.5 Als u buiten werkt, gebruik dan alleen verlengsnoeren die zijn goedgekeurd voor buitengebruik.** Het gebruik van

een verlengsnoer dat gepast is voor buitengebruik vermindert het risico op elektrische schok.

## 5. Voor het eerste gebruik

Verwijder de machine en alle accessoires uit de verpakking. Houd het verpakkingsmateriaal buiten bereik van kleine kinderen. Er is verstikkingsgevaar!

## 6. Inhoud van de verpakking

- 1x Elektrisch spraypistool
- 4x Mondstukken: 2,5 mm (gemonteerd op de machine), 1,5 mm/2 mm/3 mm
- 1x Reinigingsnaald
- 1x Viscositeitsmaatbeker
- 1x Reinigingsborstel
- 1x Instructiehandleiding

## 7. Beoogd gebruik

Het Maxxspray verfspraypistool is geschikt voor het toepassen van verf, lak, grondverf, dichtingsmateriaal, beits en muurverf.

- Elk ander gebruik of aanpassingen van het apparaat wordt als onjuist beschouwd en vergroot het risico op ongelukken aanzienlijk.
- Het gebruik van makkelijk ontvlambare, brandbare verf, lak of verdunningsmiddel is strikt verboden.
- Het beoogde gebruik omvat ook dat u de bedrijfsinstructies volgt.
- Elk gebruik buiten deze parameters kan leiden tot ernstige risico's en wordt gezien als gebruik dat in strijd is met het beoogd gebruik.
- De machine is niet bedoeld voor commercieel gebruik.

## 8. Assemblage

(Zie **Afb. A, B**).

### 8.1 Monteer het spraypistool in de hoofdbehuizing

- Plaats het spraypistool (**16**) in de hoofdbehuizing (**5**) in de 'open vergrendeling'-positie op de hoofdbehuizing. Draai naar rechts.
- Vergrendel de hoofdbehuizing en het spuitpistool met de snelkoppelingsvergrendeling (**9**).

### 8.2 Uitlijnen met de zuigbuis

(Zie **Afb. C, G**).

- Als u in een neerwaartse richting sprayt, moet het gebogen eind van de zuigbuis (**17**) naar de voorkant van het pistool gericht zijn.
- Als u in een opwaartse richting sprayt, moet het gebogen eind van de zuigbuis (**17**) naar de achterkant van het pistool gericht zijn.
- Door de zuigbuis in de juiste richting te richten, hoeft u de container minder vaak te vullen.

### 8.3 Materiaalvoorbereiding

#### Viscositeit

- Het apparaat kan tot 100 DIN aan spraymaterialen verwerken<sub>s</sub> (viscositeit). U kunt de viscositeit (dikte) van de substantie bepalen met de meegeleverde maatbeker middels een simpele maatprocedure.
- Voor het sprayen moet het gebruikte materiaal worden verdund met het juiste oplosmiddel zoals aangegeven door de fabrikant van de verf. Overschrijd nooit het verdunningsadvies dat door de fabrikant van de coating wordt gegeven.
- Gebruik geen materialen met een vlampunt onder de 21°C. Volg de onderstaande instructies.

#### 8.4 Verf verdunnen

- a. Roer het spraymateriaal grondig voor u de viscositeit meet.
- b. Doop de testbeker voor de viscositeit (**15**) helemaal in het spraymateriaal.
- c. Houd de testbeker (**15**) omhoog en meet de tijd (in seconden) tot de vloeistofstroom stopt. De resulterende waarde wordt DIN-seconden genoemd (DIN<sub>s</sub>).
- d. Als de waarde te hoog is, verdun het spraymateriaal dan geleidelijk door kleine hoeveelheden geschikt verdunningsmateriaal toe te voegen en het te mengen met de vloeistof.
- e. Meet de DIN-seconden opnieuw. Herhaal het proces tot u een viscositeit van minder dan 100 DIN-seconden meet.

- Overschrijd de maximale viscositeit van het apparaat niet. Het spraymateriaal mag niet te dik zijn. Anders kan het apparaat verstopt raken.
- Zorg dat het spraymateriaal en het verdunningsmiddel compatibel zijn. Als u een ongeschikt verdunningsmiddel gebruikt, kan dit zorgen voor verstoppingen in het apparaat. Mix nooit kunst-hars met cellulose verdunners.
- Granulaire producten en producten met vaste stoffen mogen niet gesprayd worden. Hun schurende effect zal de levensduur van de pomp en het ventiel verkorten.
- Materiaal dat gesprayd moet worden, moet altijd gezeefd worden om onzuiverheden in de verf te verwijderen waardoor het systeem verstopt kan raken. Onzuiverheden in de verf zorgen voor slechte prestaties en een slechte afwerking.



*Het vlampunt van het materiaal moet 21°C of hoger zijn.*

### 8.5 De container vullen

(Zie **Afb. G**).

- Schroef de container los (**11**) van het spraypistool.
- Nadat het materiaal correct verdund en gezeefd is, kunt u de container vullen.
- Schroef de container voorzichtig weer op het spraypistool.

### 8.6 Pas de vorm van het spraypatroon aan.

(Zie **Afb. D**).

De vorm van het spuitpatroon wordt aangepast door de luchtkap (**2**) in een verticale, horizontale of diagonale positie te draaien. De positie van de luchtklep en het bijbehorende vormen van het spraypatroon worden geïllustreerd (Zie **Afb. D**). Test elk patroon en gebruik het gewenste patroon voor uw applicatie.

### 8.7 Aanpassing materiaalstroom

Stel het materiaalvolume in door de materiaal aanpassingsknop te draaien (**8**).

### 8.8 Juiste spraytechniek

- Als sprayen met een HVLP-spraysysteem nieuw is of u bent er nog niet bekend mee, is het aangeraden om op een stuk sloophout of karton te oefenen voor u aan het werk gaat.

#### a. Het oppervlak voorbereiden

- Bedek voorzichtig een groot gebied rond het spray-oppervlak. Elk oppervlak dat niet bedekt wordt, kan verontreinigd raken.
- Zorg dat het oppervlak schoon, droog en vetvrij is.
- Gepolijste oppervlakken moeten licht geschuurd worden en het zaagsel moet verwijderd worden.

#### b. Correct sprayen

(Zie **Afb. E, F**).

- Houd het spraypistool op een constante afstand van het object. De ideale sprayafstand is ongeveer 15 cm.
- Spuit gelijkmatig op en neer met soepele streken met een constante snelheid, zoals geïllustreerd in **afb. E**. Hiermee voorkomt u onregelmatigheden in de afwerking (bijv. lopers en zakkers).
- Breng altijd een dunne laag materiaal aan op de eerste streek en laat dit opdrogen voor u een tweede, enigszins dikkere laag aanbrengt.
- Hoe dichter uw sprayer is bij het object, hoe groter de kans dat u te veel verf aanbrengt.
- Houd tijdens het sprayen altijd de trekker van het spraypistool ingedrukt en laat de trekker los om te stoppen met de streek. Houd het pistool altijd recht op het spray-oppervlak gericht en overlap de streken enigszins voor de meest consistente en professionele afwerking.

### 8.9 Het spraypistool in-/uitschakelen

#### a. Inschakelen

- Plaats de stekker in het stopcontact.
- Om het spraypistool in te schakelen, houdt u de trekker ingedrukt (**7**).

#### b. Uitschakelen

- Om te stoppen met sprayen, laat u de trekker los (**7**).



- Wanneer u klaar bent met werken, haalt u de stekker uit het stopcontact.

## 9. Het spraypistool reinigen

(Zie Afb. G).



*Speciale reinigingsinstructies voor gebruik met ontvlambare oplosmiddelen (moet een vlammpunt van onder de 21°C hebben):*

- Spoel het spraypistool altijd buiten schoon.
  - Het gebied moet vrij van ontvlambare dampen zijn.
  - Het reinigingsgebied moet goed geventileerd zijn.
  - **Dompel de luchtcompressor NIET onder water!**
- 9.1 Koppel het spraypistool los en duw de trekker van het spraypistool in zodat het materiaal in het pistool terug in de container stroomt.
  - 9.2 Schroef de container los **(11)**. Leeg al het resterende materiaal in de materiaalcontainer.
  - 9.3 Giet een kleine hoeveelheid van het geschikte reinigingsmiddel in de container (warm water met zeep voor latex-materiaal, terpentijn voor materialen op oliebasis). Reinig de container en gooi de reinigungsoplossing weg.
  - 9.4 Hervul de container met schoon reinigingsmiddel.
  - 9.5 Bevestig de container op het pistool en sluit de sprayer aan.
  - 9.6 Spray de oplossing voor twee seconden door het pistool in het veilige gebied. Spray nogmaals voor twee seconden. Koppel het spraypistool los en duw de trekker van het spraypistool in zodat het materiaal in het pistool terug in de container stroomt.
  - 9.7 Veeg de buitenkant van de container en het pistool schoon.
  - 9.8 Schroef de moer los **(1)** en verwijder de luchtklep **(2)** en het spuitstuk **(3)**.
  - 9.9 Reinig de container, zuigbuis, luchtklep en het mondstuk met een reinigungsborstel en het geschikte reinigungsmiddel.

**Reinig het mondstuk of de luchtgaten van het spraypistool nooit met scherpe, metalen objecten.**

**Gebruik geen oplosmiddelen of smeermiddelen met silicone.**

- 9.10 Draai beide knoppen aan beide kanten van de luchtcompressor naar de ontgrendelingspositie en trek het spraypistool los van de luchtcompressor. (Zie Afb. B).
- 9.11 **(a)** Reinig de achterkant van het spraypistool met het geschikte oplosmiddel. **(b)** Draai de zuigbuis naar links en trek de zuigbuis omlaag om hem van het spraypistool te verwijderen. Reinig vervolgens de zuigbuis met het juiste schoonmaakmiddel.

## 10. Onderhoud

(Zie Afb. H).

**U moet de luchtfilter in de luchtcompressor inspecteren om te kijken of er veel vuil in zit. Als het vuil is, volg dan de onderstaande stappen om het te vervangen.**

- a. Koppel het spraypistool los. Verwijder de filterklep met uw handen.
- b. Verwijder de vuile filters en vervang ze met nieuwe.
- c. Bevestig de klep weer op de hoofdbehuizing.

**Gebruik het apparaat nooit zonder luchtfilters. Vuil kan worden opgezogen en het kan het functioneren van het apparaat verstoren.**

## 11. Probleemoplossing

Probleem	Oorzaak	Oplossing
A. Weinig tot geen materiaalstroom	1. Mondstuk verstopt.	1. Reinigen.
	2. Zuigbuis verstopt.	2. Reinigen.
	3. Instelling materiaalvolume te laag (-).	3. Volume verhogen (+).
	4. Zuigbuis los.	4. Plaatsen.
	5. Geen druk in container.	5. Draai de container vast.
	6. Luchtfilter verstopt.	6. Veranderen.
B. Materiaallek.	1. Mondstuk los.	1. Vastmaken.
	2. Mondstuk versleten.	2. Vervangen.
	3. Zegel mondstuk versleten.	3. Vervangen.
	4. Materiaalophoping in luchtklep en mondstuk	4. Reinigen.
C. Verneveling is te grof	1. Viscositeit van materiaal is te hoog.	1. Dun.
	2. Materiaalvolume te groot.	2. Volume verlagen (-).
	3. Materiaalvolume te hoog (+).	3. Volume verlagen (-).
	4. Mondstuk verstopt.	4. Reinigen.
	5. Luchtfilter verstopt.	5. Veranderen.
	6. Te weinig druk in de container.	6. Draai de container vast.
D. Sprayjet pulseert	1. Materiaal in container is bijna op.	1. Hervullen
	2. Luchtfilter verstopt.	2. Veranderen.
E. Patroon loopt uit of zakt uit	1. Te veel materiaal aanbrengen.	1. Pas de materiaalstroom aan of verhoog de beweging van het spraypistool.
F. Te veel over-spray	1. Pistool te dicht bij het object.	1. Vergroot de afstand.
	2. Te veel materiaal toegepast.	2. Volume verlagen (-).
G. Het patroon is erg licht en vlekkerig.	1. Het spraypistool te snel bewegen	1. Pas de materiaalstroom aan of vertraag de beweging van het spraypistool.

## 12. Technische gegevens

Spanning: . . . . . 220-240 V~  
 Vermogen: . . . . . 500 W  
 Max. viscositeit: . . . . . 100 DIN<sub>s</sub>  
 Beschermingsglas: . . . . dubbel geïsoleerd  
 Gewicht: . . . . . 1,40 kg

## 13. Afvalverwerking en hergebruik



*De machine mag niet worden afgevoerd met het huishoudelijk afval.*

De machine bevindt zich in een verpakking om transportschade te vermijden. Deze verpakking is grondstof en is dus herbruikbaar of kan weer in de grondstoffenkringloop teruggevoerd worden. De machine en zijn accessoires bestaan uit verschillende materialen, zoals bijv. metaal en kunststoffen. Voer defecte onderdelen af als gevaarlijke stoffen. Vraag bij de vakhandel of op het gemeentehuis om meer informatie!

## 14. EG-Conformiteitsverklaring

Hiermee verklaren wij, **Batavia B.V., Wethouder Wassebaliestraat 6d, NL-7951 SN Staphorst**, dat het apparaat **Model BT-PSG013, Artikel Nr. 7063912** op grond van zijn ontwerp en bouwwijze en in de door ons in omloop gebrachte uitvoering voldoet aan de desbetreffend van toepassing zijnde fundamentele veiligheids- en gezondheidsvereisten van de EG-richtlijnen: **2014/30/EU** (Elektromagnetische compatibiliteit), **2006/42/EG** (Machines), **2011/65/EU**. Voor de evaluatie van de conformiteit zijn de volgende geharmoniseerde normen toegepast:

**EN 60745-1:2009/A11:2010**

**EN 50580:2012/A1:2013**

**EN 55014-1:2017**

**EN 55014-2:2015**

**PAHs: AfPS GS 2019:01**

Staphorst, 12 juli 2021

Technische documentatie bewaard door:  
 Meino Seinen, Batavia B.V.,  
 Weth.Wassebaliestraat 6d, 7951 SN  
 Staphorst, Nederland

Het product en de gebruiksaanwijzing kunnen wijzigen. De technische gegevens kunnen zonder voorafgaande aankondiging worden gewijzigd.

**Gentile cliente,**

Leggendo accuratamente tutti i capitoli del presente manuale nell'ordine presentato, potrà acquisire dimestichezza con il corretto uso del dispositivo. La invitiamo a conservare queste istruzioni di utilizzo per successive consultazioni.

**Leggere tutte le istruzioni di sicurezza.**

Il presente manuale contiene informazioni importanti sull'utilizzo e la gestione del dispositivo. La invitiamo a conservare queste istruzioni di utilizzo per successive consultazioni. In caso di trasferimento dell'unità a terzi, dovrà essere ceduto anche il manuale.

**1. Spiegazione dei simboli**

I seguenti simboli sono utilizzati nel manuale di istruzioni e sul prodotto:



*Avviso! Per ridurre il rischio di lesioni, l'utente deve leggere le istruzioni del presente manuale.*



*Indica rischio di lesioni personali, morte o danni all'apparecchio in caso di mancato rispetto delle istruzioni contenute nel presente manuale.*



*Indossare una maschera antipolvere. Quando si lavora con legno o altri materiali, possono essere generate polveri nocive. Non è consentito lavorare con materiali contenenti amianto!*



*Indossare occhiali di sicurezza. Quando si lavora con utensili elettrici, possono essere generati scintille, schegge, trucioli e particelle di polvere che possono causare la perdita della vista.*

**CE** è l'abbreviazione di Conformità Europea e ha il significato di "Ai sensi dei regolamenti dell'Unione Europea". Attraverso la marcatura CE, il produttore attesta che il presente utensile elettrico è conforme alle direttive europee vigenti.



*Non smaltire gli utensili elettrici con i normali rifiuti domestici.*

**2. Avvertenze di sicurezza generali per gli elettrotensili**

**Avvertimento! Osservare tutte le avvertenze di sicurezza, le immagini e i dati tecnici forniti con questo elettrotensile.**

La mancata osservanza delle istruzioni riportate di seguito può causare scosse elettriche, incendi e/o gravi lesioni.

**Conservare tutte le avvertenze di sicurezza e le istruzioni per l'uso per utilizzarle in futuro.**

Il termine "elettrotensile" utilizzato nelle avvertenze di sicurezza si riferisce agli utensili elettrici alimentati da rete (con cavo di alimentazione) o a batteria (senza cavo di alimentazione).

**2.1 Sicurezza sul luogo di lavoro**

- a. **Mantenere l'area di lavoro pulita e ben illuminata.** Il disordine o la mancanza di illuminazione nelle aree di lavoro possono causare incidenti.
- b. **Non lavorare con l'elettrotensile in ambienti potenzialmente esplosivi contenenti liquidi, gas o polveri infiammabili.** Gli elettrotensili producono scintille in grado di accendere la polvere o i vapori.
- c. **Durante l'uso dell'elettrotensile tenere lontani i bambini e le altre persone.** In caso di distrazione, è possibile perdere il controllo dell'elettrotensile.

**2.2 Sicurezza elettrica**

- a. **La spina dell'elettrotensile deve essere inserita nella presa. La spina non deve essere modificata. Non utilizzare adattatori con gli elettrotensili provvisti di messa a terra.** L'uso di spine non modificate e di prese appropriate riduce il rischio di scosse elettriche.
- b. **Evitare il contatto fisico con superfici collegate a terra come tubi, riscaldatori, stufe e frigoriferi.** Il rischio di scosse elettriche aumenta se il corpo è collegato a terra.

- c. **Tenere gli elettroutensili lontani dalla pioggia o dall'umidità.** La penetrazione dell'acqua in un elettroutensile aumenta il rischio di scosse elettriche.
- d. **Non utilizzare impropriamente il cavo di collegamento per trasportare o appendere l'elettroutensile o per estrarre la spina dalla presa. Tenere il cavo di collegamento lontano da fonti di calore, olio, spigoli vivi o parti in movimento.** La presenza di cavi di collegamento danneggiati o impigliati aumenta il rischio di scosse elettriche.
- e. **Se si lavora con un elettroutensile all'aperto, utilizzare solo prolunghe adatte per l'uso all'esterno.** L'utilizzo di un cavo di prolunga adatto all'uso all'esterno riduce il rischio di scosse elettriche.
- f. **Se l'uso dell'elettroutensile in un ambiente umido è inevitabile, utilizzare un interruttore differenziale.** L'uso di un interruttore differenziale riduce il rischio di scosse elettriche.
- ### 2.3 Sicurezza di persone
- a. **Prestare attenzione a ciò che si sta facendo e affrontare il lavoro con un elettroutensile utilizzando il buon senso. Non usare utensili elettrici se si è stanchi o sotto l'effetto di droghe, alcool o farmaci.** Un momento di incuria nell'uso dell'elettroutensile può causare gravi lesioni.
- b. **Indossare sempre dispositivi di protezione personale e occhiali di sicurezza.** L'uso di dispositivi di protezione individuale, come maschera antipolvere, scarpe di sicurezza antiscivolo, casco di sicurezza o otoprotettori, a seconda del tipo e dell'uso dell'elettroutensile, riduce il rischio di lesioni.
- c. **Evitare che l'apparecchio venga messo in funzione involontariamente. Accertarsi che l'elettroutensile sia spento prima di collegarlo all'alimentazione e/o alla batteria, sollevarlo o trasportarlo.** Se si tiene il dito sull'interruttore quando si trasporta l'elettroutensile o lo si collega all'alimentazione, possono verificarsi incidenti.
- d. **Prima di accendere l'elettroutensile, rimuovere gli utensili di regolazione o le chiavi.** Se un utensile o una chiave si trovano in una delle parti rotanti dell'elettroutensile possono verificarsi lesioni.
- e. **Evitare posture anomale. Disporre di una base sicura e mantenere l'equilibrio in ogni momento.** Questo permette di controllare meglio l'utensile elettrico in situazioni impreviste.
- f. **Indossare indumenti adeguati. Non indossare abiti larghi o gioielli. Tenere i capelli e gli indumenti lontano da parti in movimento.** Indumenti sciolti, gioielli o capelli lunghi possono rimanere impigliati nelle parti in movimento.
- g. **Se è possibile installare dispositivi di aspirazione e di raccolta della polvere, gli stessi devono essere collegati e utilizzati correttamente.** L'uso di un sistema di aspirazione può ridurre il rischio di polvere.
- h. **Non cullarsi in una falsa sicurezza e non ignorare le regole di sicurezza per gli elettroutensili, anche se si ha familiarità con l'apparecchio dopo averlo utilizzato più volte.** Un'azione disattenta può portare a gravi lesioni in frazioni di secondo.
- ### 2.4 Uso e manipolazione dell'elettroutensile
- a. **Non sovraccaricare l'elettroutensile. Utilizzare l'elettroutensile adatto al proprio lavoro.** Con l'elettroutensile adatto è possibile lavorare meglio e in modo più sicuro nella gamma di potenza specificata.
- b. **Non utilizzare elettroutensili con l'interruttore difettoso.** Un elettroutensile che non può più essere acceso o spento è pericoloso e deve essere riparato.
- c. **Prima di effettuare qualsiasi regolazione, sostituire qualsiasi componente dell'apparecchio o riporre l'elettroutensile, scollegare la spina dalla presa e/o rimuovere la batteria.** Questa precauzione impedisce l'avviamento involontario dell'elettroutensile.

- d. **Tenere gli elettrodomestici inutilizzati fuori dalla portata dei bambini. Non consentire l'uso dell'elettrodomestico a chi non lo conosce o non ha letto queste istruzioni per l'uso.** Gli elettrodomestici sono pericolosi se utilizzati da persone inesperte.
- e. **Avere cura degli elettrodomestici e degli utensili impiegati. Controllare che le parti mobili funzionino correttamente e che non si inceppino, e se sono presenti componenti rotti o danneggiati in modo tale da compromettere il funzionamento dell'elettrodomestico. Far riparare le parti danneggiate prima di utilizzare l'elettrodomestico.** Molti incidenti sono causati da una scarsa manutenzione degli elettrodomestici.
- f. **Mantenere gli utensili da taglio affilati e puliti.** Gli utensili da taglio con taglienti affilati si inceppano meno e sono più facili da manovrare.
- g. **Utilizzare gli elettrodomestici, gli utensili da lavoro ecc. attenendosi alle presenti istruzioni. Tenere conto delle condizioni di lavoro e dell'attività da svolgere.** L'uso di elettrodomestici per applicazioni diverse da quelle previste può portare a situazioni di pericolo.
- h. **Mantenere le maniglie e le superfici di presa asciutte, pulite e prive di olio e grasso.** Maniglie e superfici di presa scivolose non consentono un uso e un controllo sicuro dell'elettrodomestico in situazioni impreviste.

## 2.5 Manutenzione

- a. **Far riparare l'elettrodomestico solo da personale qualificato e con pezzi di ricambio originali.** Questo garantisce il mantenimento della sicurezza dell'elettrodomestico.

## 3. Ulteriori avvertenze di sicurezza per l'uso delle pistole a spruzzo elettriche

Per ridurre il rischio di incendio o esplosione, scosse elettriche e lesioni fisiche, si raccomanda di leggere attentamente e comprendere tutte le istruzioni riportate nel presente manuale e di acquisire la familiarità

necessaria con i comandi per garantire un uso adeguato dell'apparecchiatura.



*Indica una situazione pericolosa che, se non viene evitata, può causare il decesso o gravi lesioni.*

### a. PERICOLO: ESPLOSIONE O INCENDIO

I fumi generati dai solventi e dalle vernici possono esplodere o prendere fuoco. Possono verificarsi gravi lesioni fisiche o danni materiali.

### PREVENZIONE:

- Garantire un'adeguata ventilazione nell'area in cui si sta utilizzando la pistola a spruzzo e areare sufficientemente tutto l'ambiente. L'evaporazione di solventi infiammabili potrebbe generare un ambiente esplosivo.
- Evitare qualunque possibile fonte di accensione, come ad esempio scintille da scarica elettrostatica, fiamme libere, fiamme pilota, apparecchiature elettriche e oggetti caldi. Quando si collegano o si scollegano i cavi di alimentazione o quando si interviene sugli interruttori delle luci di lavoro, possono generarsi delle scintille.
- Non fumare nell'area di lavoro.
- Assicurarsi che nell'area di lavoro sia sempre presente un estintore e che sia in buone condizioni.
- Utilizzare solo all'esterno e in un'area ben ventilata. I vapori infiammabili spesso sono più pesanti dell'aria. La turbina contiene parti che generano un arco elettrico e scintille che possono infiammare i vapori.
- Attenersi scrupolosamente alle avvertenze e alle istruzioni del produttore del materiale e del solvente.
- Non utilizzare materiali con un punto di infiammabilità inferiore a 21 °C. Il punto di infiammabilità corrisponde alla temperatura alla quale un fluido può generare una quantità di vapore sufficiente per prendere fuoco (consultare il fornitore del materiale di rivestimento).
- La plastica può generare scintille da scarica elettrostatica. Non utilizzare pannelli in plastica per circoscrivere l'area di spruzzatura.

- Non utilizzare indumenti antigoccia in plastica durante l'uso della pistola a spruzzo con materiali infiammabili.
- b. PERICOLO: PERICOLO DI ESPLOSIONE DOVUTO ALL'USO DI MATERIALI NON COMPATIBILI.**

Potrebbe causare danni materiali o gravi lesioni fisiche.

**PREVENZIONE:**

- Non utilizzare materiali contenenti candeggina o cloro.
- Non usare solventi a base di idrocarburi alogenati, come candeggina, prodotti antimuffa, cloruro di metilene e 1,1,1-tricloroetano. Queste sostanze non sono compatibili con l'alluminio.
- Contattare il fornitore del materiale di rivestimento per richiedere informazioni sulla compatibilità del materiale con l'alluminio.

**c. PERICOLO: VAPORI PERICOLOSI**

Vernici, solventi, insetticidi e altri materiali possono essere pericolosi in caso di inalazione o contatto con le varie parti del corpo. I vapori possono causare gravi sintomi, quali nausea, svenimento o avvelenamento.

**PREVENZIONE:**

- Utilizzare un dispositivo o una maschera per la protezione delle vie respiratorie qualora vi sia la possibilità di inalare questi vapori. Leggere attentamente le istruzioni fornite con la maschera per assicurarsi che garantisca il livello di protezione necessario.
- Indossare un dispositivo di protezione degli occhi.
- Inoltre, indossare indumenti protettivi, come specificato dal produttore del materiale di rivestimento.

**d. PERICOLO: GENERALE**

Può causare gravi lesioni fisiche o danni materiali.

**PREVENZIONE:**

- Attenersi ai codici locali, statali e nazionali che regolano la ventilazione, la prevenzione degli incendi e l'uso di questi dispositivi.
- Utilizzare solo componenti approvati dal produttore. L'utente si assume la respon-

sabilità di tutti i rischi in caso di utilizzo di componenti che non soddisfano le specifiche minime dei dispositivi di sicurezza del produttore.

- Non utilizzare la pistola a spruzzo all'esterno nei giorni di vento forte.
- Indossare indumenti protettivi per evitare che la vernice entri in contatto con la pelle e i capelli.
- Non rivolgere la pistola a spruzzo verso le parti del corpo.
- Non rivolgere la pistola a spruzzo verso le persone o gli animali.

**4. Informazioni importanti sulle caratteristiche elettriche**

**4.1 La spina dell'utensile deve essere inserita correttamente nella presa. La spina non deve essere modificata in nessun modo. Non utilizzare adattatori con utensili con messa a terra.**

L'uso di spine non modificate e compatibili con le prese riduce il rischio di scosse elettriche.

**4.2 Evitare il contatto fisico con superfici messe a terra, come tubi, elementi di riscaldamento, stufe e frigoriferi.** Il rischio di scosse elettriche aumenta se il corpo viene in qualche modo collegato a terra.

**4.3 Tenere l'apparecchiatura al riparo dalla pioggia e dall'umidità.** Il rischio di scosse elettriche aumenta se l'acqua penetra nell'apparecchiatura elettrica.

**4.4 Non utilizzare il cavo di alimentazione di rete per trasportare l'utensile o per appenderlo e non tirarlo per rimuovere la spina dalla presa. Tenere il cavo lontano da fonti di calore, olio, spigoli vivi o parti dell'utensile in movimento.** I cavi danneggiati o attorcigliati aumentano il rischio di scosse elettriche.

**4.5 Se si lavora all'aperto, utilizzare unicamente prolunghe adatte per l'uso esterno.** L'uso di una prolunga adatta

per l'uso esterno riduce il rischio di scosse elettriche.

## 5. Operazioni preliminari al primo uso del prodotto

Rimuovere il dispositivo e gli accessori dalla confezione. Tenere il materiale di imballaggio fuori della portata dei bambini. Sussiste il rischio di soffocamento.

## 6. Contenuto della confezione

- 1 pistola a spruzzo elettrica
- 4 beccucci 2,5 mm (montato sul dispositivo), 1,5 mm / 2,0 mm / 3,0 mm
- 1 ago per la pulizia
- 1 coppa di misurazione della viscosità
- 1 scovolino
- 1 manuale di istruzioni

## 7. Destinazione d'uso

La pistola a spruzzo Maxxspray è pensata per l'applicazione di vernici, lacche, primer, sigillanti, vernici antimacchia e per interni.

- Ogni altro utilizzo o eventuali modifiche all'apparecchiatura saranno ritenuti impropri e comporteranno un rischio significativo di incidenti.
- È severamente vietato utilizzare vernici, lacche o diluenti facilmente infiammabili o combustibili.
- L'utilizzo del dispositivo per gli scopi previsti deve sempre avvenire nel rispetto delle seguenti istruzioni operative.
- L'eventuale utilizzo al di fuori dei parametri specificati può causare gravi rischi e costituisce un uso diverso da quello previsto.
- L'apparecchiatura non è pensata per un uso commerciale.

## 8. Montaggio

(Vedere Fig. A e B).

### 8.1 Montaggio della pistola a spruzzo nell'alloggiamento principale

- Inserire la pistola a spruzzo (16) nell'alloggiamento principale (5) in posizione di "blocco aperto". Ruotare in senso orario.

- Bloccare l'alloggiamento principale e la pistola a spruzzo con il blocco a sgancio rapido (9).

### 8.2 Allineare il tubo di aspirazione

(vedere Fig. C e G).

- Se l'operazione di spruzzatura dovrà essere eseguita dall'alto verso il basso, l'estremità ad angolo del tubo di aspirazione (17) dovrà essere rivolta verso la parte anteriore della pistola.
- Se l'operazione di spruzzatura dovrà essere eseguita dal basso verso l'alto, l'estremità ad angolo del tubo di aspirazione (17) dovrà essere rivolta verso la parte posteriore della pistola.
- Rivolgendo il tubo di aspirazione nella giusta direzione, non sarà necessario riempire il contenitore troppo di frequente.

### 8.3 Preparazione del materiale

#### Viscosità

- L'apparecchiatura può essere utilizzata con materiali spray con una viscosità massima di 100 DIN<sub>ss</sub>. È possibile determinare la viscosità (consistenza) della sostanza utilizzando l'apposita coppa fornita in dotazione ed eseguendo una semplice procedura di misurazione.
- Prima della spruzzatura, potrebbe essere necessario diluire il materiale da utilizzare con un solvente adatto, come indicato dal produttore del materiale. Non superare mai le dosi di diluente raccomandate dal produttore del materiale di rivestimento.
- Non utilizzare materiali con un punto di infiammabilità inferiore a 21 °C. Attenersi alle istruzioni di seguito riportate.

### 8.4 Diluente per vernice

- a. Mescolare bene il materiale da spruzzare prima di misurare la viscosità.
- b. Immergere completamente la coppa di misurazione della viscosità (15) nel materiale da spruzzare.
- c. Estrarre la coppa di misurazione della viscosità (15) e misurare quanto tempo (in secondi) impiega il flusso di liquido ad arrestarsi. Il risultato sarà espresso in secondi DIN (DIN<sub>ss</sub>).



- d. Se il valore è troppo alto, diluire gradualmente il materiale da spruzzare aggiungendo di volta in volta piccole quantità di diluente e mescolando il liquido.
- e. Misurare nuovamente la viscosità in secondi DIN. Ripetere questa procedura fino ad ottenere un livello di viscosità inferiore a 100 secondi DIN.
  - Non superare la viscosità massima consentita per l'apparecchiatura utilizzata. Il materiale da spruzzare non deve essere troppo denso. In caso contrario, l'apparecchiatura potrebbe intasarsi.
  - Assicurarsi che il materiale da spruzzare e il diluente siano compatibili. L'uso di un diluente non adatto può causare la formazione di grumi con il rischio di intasamento dell'apparecchiatura. Non mescolare vernici a base di resine sintetiche con diluenti al nitro.
  - I prodotti granulari e i prodotti contenenti particelle solide non devono essere usati con la pistola a spruzzo. Il loro effetto abrasivo ridurrà la durata di vita della pompa e della valvola.
  - Il materiale da spruzzare deve sempre essere filtrato, per rimuovere eventuali impurità presenti nella vernice che potrebbero penetrare all'interno e intasare il sistema. Le impurità nella vernice porteranno al malfunzionamento dell'apparecchiatura e ad una finitura di scarsa qualità.



*Il punto di infiammabilità del materiale deve essere uguale o superiore a 21 °C.*

### 8.5 Riempimento del contenitore

(Vedere Fig. G).

- a. Svitare e rimuovere il contenitore (11) dalla pistola a spruzzo.
- b. Dopo aver adeguatamente diluito e filtrato il materiale, riempire il contenitore.
- c. Riavvitare saldamente il contenitore sulla pistola a spruzzo.

### 8.6 Regolazione del getto di spruzzatura

(Vedere Fig. D).

Il getto di spruzzatura può essere regolato ruotando il tappo di regolazione dell'aria (2) in posizione verticale, orizzontale o diagonale.

Le posizioni del tappo di regolazione dell'aria e le indicazioni del getto di spruzzatura corrispondente sono illustrate di seguito (vedere Fig. D). Verificare di ottenere il getto desiderato e utilizzare il getto più adatto a seconda dell'applicazione.

### 8.7 Regolazione del flusso di materiale

Impostare la quantità di materiale desiderata ruotando la manopola di regolazione del materiale (8).

### 8.8 Corretta tecnica di spruzzatura

- Se la spruzzatura con un sistema HVLP è una pratica nuova o si ha familiarità con essa, si raccomanda di fare pratica su un pezzo di legno o di cartone di scarto prima di iniziare a lavorare sulla superficie di applicazione.
- a. **Preparazione della superficie**
    - Coprire con la massima cura un'ampia area attorno alla superficie di spruzzatura. Le superfici non protette potrebbero contaminarsi.
    - Assicurarsi che la superficie di applicazione sia pulita, asciutta e priva di grasso.
    - Levigare leggermente le superfici lucide ed eliminare la polvere di levigatura.

### b. Procedura per una corretta spruzzatura

(Vedere Fig. E ed F).

- Mantenere la pistola a spruzzo ad una distanza costante dall'oggetto da spruzzare. La distanza ideale è di circa 15 cm.
- Spruzzare dall'alto verso il basso sulla superficie, con un movimento regolare e ad una velocità costante, come illustrato nella Fig. E. In questo modo si eviteranno irregolarità nella finitura (ad es. colature e cedimenti).
- Applicare sempre un sottile strato di materiale alla prima passata e lasciar asciugare prima di applicare un secondo strato leggermente più spesso.
- Più si avvicina la pistola a spruzzo all'oggetto da spruzzare, maggiore è il rischio di spruzzare una quantità eccessiva di materiale.
- Durante la spruzzatura, tenere sempre premuto il grilletto della pistola a spruzzo

una volta iniziata l'erogazione di materiale e rilasciarlo prima di terminare l'applicazione. Tenere sempre la pistola a spruzzo perpendicolare alla superficie di applicazione e sovrapporre leggermente i vari passaggi in modo da ottenere una finitura più omogenea e professionale possibile.

### 8.9 Accensione/Spegnimento della pistola a spruzzo

#### a. Accensione

- Inserire la spina in una presa di corrente.
- Per accendere la pistola a spruzzo, tenere premuto il grilletto (7).

#### b. Spegnimento

- Per interrompere la spruzzatura, è sufficiente rilasciare il grilletto (7).
- Al termine del lavoro, scollegare la spina dalla rete di alimentazione.

## 9. Pulizia della pistola a spruzzo

(Vedere Fig. G).



*Istruzioni speciali per la pulizia dell'apparecchiatura in caso di utilizzo con solventi infiammabili (il punto di infiammabilità deve essere superiore a 21 °C):*

- Lavare sempre la pistola a spruzzo all'esterno.
  - L'area circostante deve essere priva di vapori infiammabili.
  - L'area in cui si effettua la pulizia deve essere ben ventilata.
  - **NON IMMERGERE il compressore!**
- 9.1 Scollegare la pistola a spruzzo e premere il grilletto in modo che il materiale presente all'interno fluisca nel contenitore.
  - 9.2 Svitare il contenitore (11). Svuotare il materiale rimanente all'interno del contenitore.
  - 9.3 Versare nel contenitore una piccola quantità di soluzione detergente adatta all'uso (acqua calda e saponata per i materiali in lattice; essenze minerali per i materiali a base d'olio). Pulire il contenitore e smaltire correttamente la soluzione detergente.

- 9.4 Riempire il contenitore con una NUOVA soluzione detergente.
- 9.5 Montare nuovamente il contenitore sulla pistola a spruzzo e collegarla all'alimentazione.
- 9.6 Utilizzando la pistola, spruzzare la soluzione per due secondi in una zona sicura. Spruzzare nuovamente per altri due secondi. Scollegare la pistola a spruzzo e premere il grilletto in modo che il materiale presente all'interno fluisca nel contenitore.
- 9.7 Pulire con cura l'esterno del contenitore e della pistola.
- 9.8 Svitare il dado (1) e rimuovere il tappo di regolazione dell'aria (2) e il beccuccio (3).
- 9.9 Pulire il contenitore, il tubo di aspirazione, il tappo di regolazione dell'aria e il beccuccio con una soluzione detergente adatta all'uso.

**Non pulire il beccuccio o i fori dell'aria della pistola a spruzzo con oggetti metallici appuntiti.**

**Non utilizzare solventi o lubrificanti contenenti silicene.**

- 9.10 Ruotare le manopole presenti su entrambi i lati del gruppo compressore in posizione di "sblocco" ed estrarre la pistola a spruzzo dal gruppo compressore. (Vedere Fig. B).
- 9.11 (a) Pulire la parte posteriore della pistola a spruzzo con una soluzione detergente adatta all'uso.  
(b) Ruotare il tubo di aspirazione in senso antiorario e tirarlo verso il basso per rimuoverlo dalla pistola a spruzzo. Pulire il tubo di aspirazione con una soluzione detergente adatta all'uso.

## 10. Manutenzione

(Vedere Fig. H).

**Ispezionare il filtro dell'aria del gruppo compressore per verificare che non sia eccessivamente sporco. Se è molto sporco, sostituirlo procedendo nel modo seguente.**

- a. Scollegare la pistola a spruzzo. Rimuovere manualmente il coperchio del filtro.

- b. Rimuovere i filtri sporchi e sostituirli con dei filtri nuovi.
- c. Riposizionare il coperchio sull'alloggiamento principale.

**Non mettere in funzione l'unità senza i filtri dell'aria. Lo sporco potrebbe essere aspirato all'interno e comprometterne il corretto funzionamento.**

## 11. Risoluzione dei problemi

Problema	Causa	Soluzione
A. Flusso di materiale ridotto o assente	1. Beccuccio ostruito.  2. Tubo di aspirazione ostruito.  3. Quantità di materiale impostata ad un livello troppo basso (-).  4. Tubo di aspirazione allentato.  5. Assenza di pressione nel contenitore.  6. Filtro dell'aria intasato.	1. Pulire.  2. Pulire.  3. Impostare la quantità di materiale ad un livello più alto (+).  4. Inserire correttamente.  5. Stringere il contenitore.  6. Sostituire.
B. Perdita di materiale	1. Beccuccio allentato.  2. Beccuccio usurato.  3. Guarnizione del beccuccio usurata.  4. Accumulo di materiale nel tappo di regolazione dell'aria e nel beccuccio	1. Stringere.  2. Sostituire.  3. Sostituire.  4. Pulire.
C. Atomizzazione troppo grossolana	1. Eccessiva viscosità del materiale.  2. Eccessiva quantità di materiale.  3. Quantità di materiale impostata ad un livello troppo alto (+).  4. Beccuccio ostruito.  5. Filtro dell'aria intasato.  6. Pressione troppo bassa nel contenitore.	1. Diluire.  2. Impostare la quantità di materiale ad un livello più basso (-).  3. Impostare la quantità di materiale ad un livello più basso (-).  4. Pulire.  5. Sostituire.  6. Stringere il contenitore.

D. La pistola a spruzzo emette un getto intermittente	1. Materiale in esaurimento nel contenitore. 2. Filtro dell'aria intasato.	1. Riempire. 2. Sostituire.
E. Presenza di colature e cedimenti nella finitura	1. Applicazione di una quantità eccessiva di materiale.	1. Regolare il flusso di materiale o aumentare il movimento della pistola a spruzzo.
F. Erogazione di una quantità eccessiva di materiale	1. Pistola troppo vicina all'oggetto da spruzzare. 2. Applicazione di una quantità eccessiva di materiale.	1. Aumentare la distanza. 2. Impostare la quantità di materiale ad un livello più basso (-).
G. Applicazione di uno strato leggerissimo e presenza di chiazze.	1. Movimenti troppo veloci con la pistola a spruzzo	1. Regolare il flusso di materiale o ridurre il movimento della pistola a spruzzo.

## 12. Dati tecnici

Tensione: . . . . . 220-240 V~  
 Potenza: . . . . . 500 W  
 Viscosità max: . . . . . 100 DIN<sub>s</sub>  
 Classe di protezione: . . doppio isolamento  
 Peso: . . . . . 1,40 kg

## 13. Smaltimento



*Non smaltire gli utensili elettrici con i normali rifiuti domestici.*

L'utensile elettrico viene spedito in una confezione per ridurre i danni dovuti al trasporto.

Questo imballaggio è una materia prima e come tale può essere riutilizzata o può essere reimmessa nel ciclo delle materie prime. L'utensile elettrico e i relativi accessori sono realizzati in vari materiali come metalli e plastiche. Portare i componenti difettosi a un punto di raccolta dei rifiuti. Chiedete informazioni su questi punti di raccolta al vostro negozio specializzato o Comune.

## 14. Dichiarazione di conformità CE

Noi sottoscritti **Batavia B.V., Weth. Wassebaliestraat 6d, NL-7951 SN Staphorst**, dichiara sotto la sua piena responsabilità che la **numero articolo 7063912, modello**

**BT-PSG013** soddisfa i requisiti essenziali definiti nella **Direttiva europea sulla Compatibilità Elettromagnetica 2014/30/UE (CEM), la Direttiva 2006/42/CE (Direttiva Macchine), la direttiva RoHS: 2011/65/EU** e loro modifiche. Per la valutazione di conformità, sono stati consultati i seguenti standard armonizzati europei:

**EN 60745-1:2009/A11:2010**

**EN 50580:2012/A1:2013**

**EN 55014-1:2017**

**EN 55014-2:2015**

**PAHs: AfPS GS 2019:01**

Staphorst, 12 luglio 2021

Meino Seinen, Rappresentante QA  
 Batavia B.V., Weth. Wassebaliestraat 6d,  
 7951 SN Staphorst, Paesi Bassi

Il prodotto e il manuale utente possono essere soggetti a modifiche. I dati tecnici possono essere modificati senza preavviso.

## Estimado cliente:

Familiarícese con el uso adecuado del aparato leyendo todos los capítulos de este manual en el orden en el que se presentan. Conserve estas instrucciones para poder consultarlas con posterioridad.

### ¡Lea todas las instrucciones de seguridad!

Esta manual contiene información importante acerca de cómo operar y manipular el aparato. Conserve estas instrucciones para poder consultarlas con posterioridad. Si le cede el aparato a un tercero, entréguele también este manual.

## 1. Explicación de los símbolos

Los símbolos siguientes aparecen en el manual de usuario o en el producto:



**¡Advertencia!** Lea el manual de instrucciones para reducir el riesgo de lesiones personales.



Indica el riesgo de lesiones personales, muerte o daño de la herramienta en caso de no observar las instrucciones recogidas en este manual.



Utilice una mascarilla antipolvo. Al trabajar con madera y otros materiales, es posible que se genere polvo perjudicial. ¡No está permitido trabajar con materiales que contengan asbesto!



Utilice gafas de seguridad. Al trabajar con herramientas eléctricas, se pueden generar chispas, astillas y partículas de polvo que pueden causar la pérdida de la visión.



El marcado CE (siglas de Conformidad Europea) es indicativo de que se cumple con las normativas de la UE. Con el marcado CE, el fabricante confirma que esta herramienta eléctrica cumple con las directivas europeas aplicables.



No deseche las herramientas eléctricas junto a los residuos domésticos.

## 2. Indicaciones generales de seguridad para herramientas eléctricas



**¡ADVERTENCIA!** Lea todas las indicaciones de seguridad, instrucciones, ilustraciones y datos técnicos colocados en esta herramienta eléctrica.

Las negligencias en el cumplimiento de las indicaciones siguientes pueden provocar una descarga eléctrica, un incendio y/o lesiones graves.

### Conserve todas las indicaciones de seguridad e instrucciones para el futuro.

El término «herramienta eléctrica» empleado en las indicaciones de seguridad se refiere a herramientas eléctricas con conexión de red (con cable de alimentación) o con batería (sin cable de alimentación).

#### 2.1 Seguridad en el puesto de trabajo

- a. **Mantenga su lugar de trabajo limpio y bien iluminado.** El desorden y las áreas de trabajo no iluminadas pueden dar lugar a accidentes.
- b. **No trabaje con la herramienta eléctrica en entornos explosivos en los que se encuentren líquidos, gases o polvos inflamables.** Las herramientas eléctricas generan chispas que podrían inflamar el polvo o los vapores.
- c. **Mantenga a los niños y otras personas alejadas de la herramienta eléctrica durante su uso.** Las distracciones pueden hacerle perder el control de la herramienta eléctrica.

#### 2.2 Seguridad eléctrica

- a. **El conector de la herramienta eléctrica debe encajar en el enchufe. No está permitido modificar el conector de ninguna forma. No use enchufes adaptadores con herramientas eléctricas con conexión a tierra.** Los conectores no modificados y los enchufes adecuados reducen el riesgo de sufrir descargas eléctricas.
- b. **Evite que cualquier parte del cuerpo entre en contacto con superficies conectadas a tierra como tubos, radiadores, cocinas y frigoríficos.** Existe un riesgo elevado de descarga

eléctrica, si el cuerpo está conectado a tierra.

- c. **Mantenga las herramientas eléctricas alejadas de la lluvia y la humedad.** La entrada de agua en una herramienta eléctrica aumenta el riesgo de sufrir una descarga eléctrica.
- d. **No utilice el cable de conexión para fines no previstos, para trasladar o colgar la herramienta eléctrica o para extraer el conector del enchufe. Mantenga el cable de conexión alejado del calor, el aceite, los bordes afilados y las piezas en movimiento.** Los cables de conexión dañados o enredados aumentan el riesgo de sufrir una descarga eléctrica.
- e. **Si trabaja con una herramienta eléctrica al aire libre, use únicamente cables alargadores que sean también aptos para trabajar en el exterior.** El uso de cables alargadores adecuados para exteriores reduce el riesgo de sufrir una descarga eléctrica.
- f. **Si no se puede evitar usar la herramienta eléctrica en un entorno húmedo, use un interruptor diferencial.** El uso de un interruptor diferencial previene el riesgo de sufrir una descarga eléctrica.

### 2.3 Seguridad de las personas

- a. **Permanezca atento, tenga cuidado con lo que hace y actúe con sensatez mientras trabaje con una herramienta eléctrica. No use herramientas eléctricas si está cansado o bajo la influencia de drogas, alcohol o medicamentos.** Un momento de descuido durante el uso de la herramienta eléctrica puede provocar lesiones graves.
- b. **Use equipamiento de protección personal y siempre unas gafas protectoras.** Llevar equipamiento de protección personal, como mascarilla de protección frente al polvo, zapatos de seguridad antideslizantes, casco de protección o protección auditiva, dependiendo del tipo y el uso dado a la herramienta eléctrica, reduce el riesgo de lesiones.

- c. **Evite una puesta en marcha accidental. Asegúrese de que la herramienta eléctrica está apagada antes de conectarla a la alimentación de corriente y/o la batería, recogerla o transportarla.** Si al transportar la herramienta eléctrica sus dedos se encuentran en el interruptor o la herramienta encendida se conectara a la alimentación de corriente, podrían producirse accidentes.
  - d. **Quite las herramientas de ajuste o la llave de tuercas antes de conectar la herramienta eléctrica.** Una herramienta o llave, que se encuentre en una pieza giratoria de la herramienta eléctrica, podría provocar lesiones.
  - e. **Evite las posturas corporales poco naturales. Tenga cuidado de adoptar una posición segura y de mantener el equilibrio en todo momento.** Esto le permitirá controlar mejor la herramienta eléctrica si se producen situaciones inesperadas.
  - f. **Utilice ropa adecuada. No use ropa amplia ni bisutería o joyas. Mantenga el cabello y la ropa alejados de las piezas móviles.** La ropa amplia, la bisutería, las joyas o el cabello largo podrían quedar atrapados en las piezas móviles.
  - g. **Si se pueden montar dispositivos de recogida y aspiración de polvo, estos deberán conectarse y emplearse adecuadamente.** El uso de una aspiradora de polvo puede reducir los peligros derivados del polvo.
  - h. **No asuma una falsa sensación de seguridad y no pase por alto las reglas de seguridad para herramientas eléctricas, ni siquiera en el caso de estar familiarizado con la herramienta eléctrica debido a un uso reiterado.** La falta de atención durante unas fracciones de segundo puede dar lugar a lesiones graves.
- ### 2.4 Uso y trato de la herramienta eléctrica
- a. **No sobrecargue la herramienta eléctrica. Utilice la herramienta eléctrica adecuada para el trabajo a desempeñar.** Con la herramienta eléctrica ade-

cuada se trabaja mejor y de forma más segura dentro del campo de aplicación indicado.

- b. **No use herramientas eléctricas con interruptores defectuosos.** Una herramienta eléctrica que ya no pueda encenderse y apagarse, es peligrosa y deberá ser reparada.
- c. **Extraiga el conector del enchufe y/o retire la batería extraíble antes de realizar ajustes en el dispositivo, cambiar piezas de herramientas intercambiables o guardar la herramienta eléctrica.** Esta medida de precaución impide la puesta en marcha accidental de la herramienta eléctrica.
- d. **Guarde las herramientas eléctricas que no se están empleando fuera del alcance de los niños. No permita utilizar la herramienta eléctrica a personas que no estén familiarizadas con ella o no hayan leído estas instrucciones.** Las herramientas eléctricas constituyen un peligro si son empleadas por personas carentes de experiencia.
- e. **Cuide las herramientas eléctricas y la herramienta intercambiable con esmero. Compruebe si las piezas móviles funcionan a la perfección y no se atascan, o si hay piezas rotas o dañadas de manera que la función de la herramienta eléctrica pudiera verse comprometida. Encargue la reparación de las piezas dañadas antes de emplear la herramienta eléctrica.** Muchos accidentes vienen provocados por no someter las herramientas eléctricas a un mantenimiento adecuado.
- f. **Mantenga las herramientas de corte afiladas y limpias.** Las herramientas de corte bien cuidadas con bordes de corte afilados se atascan menos y se guían con mayor facilidad.
- g. **Emplee la herramienta eléctrica, la herramienta intercambiable, etc. conforme a las indicaciones. Tenga en cuenta las condiciones de trabajo y la tarea a realizar mientras lo haga.** El uso de herramientas eléctricas para aplicaciones diferentes a las previstas

podría dar lugar a situaciones peligrosas.

- h. **Mantenga las asas y las superficies de las asas secas, limpias y libres de aceite y grasa.** Las asas y las superficies de las asas resbalosas impiden un manejo y un control seguros de la herramienta eléctrica en situaciones imprevisibles.

## 2.5 Servicio

- a. **Encargue la reparación de su herramienta eléctrica únicamente a personal especializado cualificado que emplee únicamente piezas de repuesto originales.** De este modo, se garantiza que la seguridad de la herramienta eléctrica no se ve afectada.

## 3. Advertencias de seguridad adicionales en materia de pistolas pulverizadoras eléctricas

Para reducir los riesgos de incendio o explosión, descargas eléctricas y lesiones personales, lea y comprenda las instrucciones incluidas en este manual y familiarícese con los controles y el uso adecuado del aparato.



*Indica una situación peligrosa que, si no se evita, puede dar lugar a lesiones graves e, incluso, la muerte.*

### a. PELIGRO: EXPLOSIÓN O INCENDIO

Los vapores de los solventes y las pinturas son susceptibles de explotar o encenderse. Podrían producirse lesiones graves y daños a la propiedad.

#### PREVENCIÓN:

- Asegure una adecuada ventilación en la zona de pulverización y el suficiente aire fresco en toda la habitación. La evaporación de solventes inflamables crea un entorno explosivo.
- Evite cualquier fuente de ignición como chispas eléctricas estáticas, llamas abiertas, luces de pilotos, electrodomésticos y objetos calientes. La conexión o desconexión de cables eléctricos o interruptores de lámparas de trabajo puede generar chispas.
- No fume en el área de pulverización.

- Debe haber un extintor de incendios en buen estado en el área de trabajo.
- Utilice el aparato únicamente al aire libre, en un área bien ventilada. Los vapores inflamables suelen ser más pesados que el aire. La turbina contiene piezas que forman arcos que emiten chispas y pueden provocar la ignición de los vapores.
- Observe las advertencias y las instrucciones del fabricante del material y el solvente.
- No use materiales con un punto de inflamación por debajo de 21 °C. El punto de inflamación hace referencia a la temperatura a la que un fluido puede producir vapores suficientes como para inflamarse (consulte con el proveedor del recubrimiento).
- El plástico puede causar chispas estáticas. Nunca cuelgue plásticos para cercar el área de pulverización.
- No utilice lonas protectoras de plástico al pulverizar materiales inflamables.

**b. PELIGRO: PELIGRO DE EXPLOSIÓN DEBIDO A MATERIALES INCOMPATIBLES.**

Causa daños a la propiedad y lesiones graves.

**PREVENCIÓN:**

- No utilice materiales que contengan lejía o cloro.
- No utilice disolventes de hidrocarburos halogenados como la lejía, productos antimoho, cloruro de metileno ni 1,1,1-tricloroetano. Dichos productos no son compatibles con el aluminio.
- Póngase en contacto con su proveedor de recubrimientos para consultarle acerca de la compatibilidad del material con el aluminio.

**c. PELIGRO: VAPORES PELIGROSOS**

Pinturas, solventes, insecticidas y otros materiales pueden ser peligrosos si se inhalan o entran en contacto con el cuerpo. Los vapores pueden causar náuseas, desmayos o intoxicaciones graves.

**PREVENCIÓN:**

- Utilice un respirador o una mascarilla si existe la posibilidad de inhalar vapores.

Lea todas las instrucciones suministradas con la mascarilla para garantizar que brinde la protección necesaria.

- Utilice protección ocular.
- Utilice ropa de protección según las recomendaciones del fabricante del recubrimiento.

**d. PELIGRO: GENERALIDADES**

Puede causar lesiones graves o daños a la propiedad.

**PREVENCIÓN:**

- Cumpla con todas las normas locales, estatales y nacionales aplicables que rigen la ventilación, la prevención de incendios y el uso.
- Utilice únicamente recambios autorizados por el fabricante. El usuario asume todos los riesgos y las responsabilidades al usar recambios o accesorios que no satisfagan las especificaciones mínimas y los dispositivos de seguridad del fabricante.
- No pulverice al aire libre en días ventosos.
- Utilice ropa de protección para evitar que la pintura entre en contacto con la piel y el cabello.
- Nunca apunte la pistola pulverizadora a ninguna parte del cuerpo.
- No apunte nunca la pistola pulverizadora a personas ni animales.

**4. Información importante relacionada con la electricidad**

**4.1 El enchufe de la herramienta debe ser compatible con la toma. No modifique el enchufe de ningún modo. No utilice adaptadores de enchufes con herramientas con puesta a tierra de protección.**

Los enchufes no modificados y las tomas apropiadas reducen el riesgo de una descarga eléctrica.

**4.2 Evite el contacto físico con superficies puestas a masa como las tuberías, elementos calefactores, cocinas y refrigeradores. El riesgo de descarga**



eléctrica aumenta si su cuerpo hace tierra.

- 4.3 Mantenga el aparato alejado de la lluvia y la humedad.** El riesgo de una descarga eléctrica aumenta cuando el agua penetra en los aparatos eléctricos.
- 4.4 No utilice el cable de alimentación para transportar la herramienta, colgarla o tirar de ella para desenchufar el aparato. Mantenga el cable alejado del calor, aceites, bordes afilados y piezas en movimiento de la herramienta.** Los cables dañados o doblados aumentan el riesgo de una descarga eléctrica.
- 4.5 Si trabaja al aire libre, utilice alargaderas homologadas para uso en exteriores.** El uso de una alargadera homologada apropiada para exteriores reduce el riesgo de descargas eléctricas.

## 5. Antes de usar por primera vez

Saque la herramienta y todos los accesorios del paquete. Mantenga el material de embalaje fuera del alcance de los niños. ¡Dicho material entraña un riesgo de asfixia!

## 6. Contenido del paquete

- 1 pistola pulverizadora
- 4 boquillas: 2,5 mm (ensamblada en el aparato)/1,5 mm/2,0 mm/3,0 mm
- 1 aguja de limpieza
- 1 vaso medidor de la viscosidad
- 1 cepillo de limpieza
- 1 manual de instrucciones

## 7. Uso previsto

La pistola pulverizadora Maxxspray es apropiada para aplicar pinturas, lacas, imprimaciones, selladores, colorantes y pinturas para paredes en interiores.

- Cualquier otro uso o modificación del aparato se considera inapropiado y conlleva un riesgo significativo de accidentes.
- Está estrictamente prohibido el uso de pinturas, lacas o disolventes fácilmente inflamables y combustibles.

- El uso previsto también incluye aquellas aplicaciones recogidas en las instrucciones de utilización.
- Cualquier uso más allá de lo establecido puede dar lugar a riesgos graves y se considera como un uso contrario a los fines previstos.
- El aparato no ha sido diseñado para un uso comercial.

## 8. Montaje

(Consulte las figuras A y B)

### 8.1 Ensamble la pistola pulverizadora en la carcasa principal.

- Inserte la pistola pulverizadora (16) en la carcasa principal (5) con la carcasa principal en la posición «Open block» (cierre abierto). Gire en sentido horario.
- Bloquee la carcasa principal y el conjunto de la pistola pulverizadora mediante el cierre de apertura rápida (9).

### 8.2 Alineación del tubo de succión

(Consulte las figuras C y G)

- Si va a pulverizar hacia abajo, el extremo en ángulo del tubo de succión (17) debe apuntar hacia el frente de la pistola.
- Si va a pulverizar hacia arriba, el extremo en ángulo del tubo de succión (17) debe apuntar hacia la parte posterior de la pistola.
- Al apuntar el tubo de succión en la dirección adecuada, se reduce la frecuencia en la que se debe rellenar el depósito.

### 8.3 Preparación del material

#### Viscosidad

- El aparato puede pulverizar materiales con una viscosidad máxima de 100 DIN/s. Puede determinar la viscosidad (espesor) de la sustancia mediante el vaso medidor suministrado y un procedimiento simple de medición.
- Antes de pulverizar, podría ser necesario diluir el material utilizado con un disolvente apropiado según las especificaciones del fabricante del material. Nunca se exceda en lo que respecta a las recomendaciones de dilución indicadas por el fabricante del recubrimiento.
- No utilice materiales con un punto de inflamación por debajo de 21 °C. Siga las

instrucciones que se indican a continuación.

#### 8.4 Dilución de pinturas

- a. Mezcle bien el material de pulverización antes de medir la viscosidad.
- b. Sumerja completamente el vaso medidor de la viscosidad **(15)** en el material de pulverización.
- c. Sostenga el vaso medidor **(15)** hacia arriba y mida el tiempo (en segundos) que tarda el chorro de líquido en fluir completamente. El valor resultante se expresa en DIN/s.
- d. Si el valor es demasiado elevado, diluya gradualmente el material de pulverización añadiendo pequeñas cantidades de un diluyente apropiada y mezclando.
- e. Vuelva a medir el valor en DIN/s. Repita el proceso hasta medir una viscosidad con un valor inferior a 100 DIN/s.
  - No exceda la viscosidad máxima especificada para el aparato. El material de pulverización no debe ser demasiado espeso. De lo contrario, el aparato podría obstruirse.
  - Asegúrese de que el material de pulverización y el diluyente sean compatibles. El uso de un diluyente inadecuado puede causar una obstrucción en el aparato. Nunca mezcle barnices de resinas sintéticas con diluyentes de celulosa.
  - No pulverice productos granulares ni productos que contengan sólidos. Su efecto abrasivo reduce la vida útil de la bomba y la válvula.
  - El material de pulverización debe filtrarse siempre para eliminar cualquier impureza en la pintura que pudiera entrar en el sistema y obstruirlo. Las impurezas en la pintura comprometen el rendimiento y dan lugar a acabados mediocres.



*El punto de inflamación del material debe ser de 21 °C o superior.*

#### 8.5 Llenado del depósito

(Consulte la **figura G**)

- a. Desenrosque el depósito **(11)** de la pistola pulverizadora.
- b. Una vez diluido y filtrado debidamente el material, viértalo en el depósito.

- c. Cuidadosamente, vuelva a enroscar el depósito en la pistola pulverizadora.

#### 8.6 Ajuste de la forma del patrón de pulverización

(Consulte la **figura D**)

La forma del patrón de pulverización se ajusta girando el soporte de boquilla de aire **(2)** hasta una posición vertical, horizontal o diagonal. Las posiciones del soporte de boquilla de aire y las formas de patrón de pulverización correspondientes se ilustran en la **figura D**. Pruebe cada patrón y utilice el que sea más adecuado para su aplicación.

#### 8.7 Ajuste del flujo de material

Ajuste el volumen de material girando el botón de ajuste del material **(8)**.

#### 8.8 Técnica de pulverización adecuada

- Si es la primera vez que pulveriza con un sistema de pulverización de alto volumen y baja presión (HVLP) o no está familiarizado con dicho sistema, se recomienda practicar con una pieza de madera o cartón sobrante antes de comenzar con la pieza de trabajo real.
- a. **Preparación de la superficie**
    - Cubra cuidadosamente una amplia zona alrededor de la superficie que vaya a pulverizar. Cualquier superficie no cubierta podría contaminarse.
    - Asegúrese de que la superficie que va a pulverizar esté limpia, seca y sin grasa.
    - Las superficies pulidas deben lijarse ligeramente. Tras el lijado, elimine el polvo generado.
  - b. **Cómo pulverizar correctamente**  
(Consulte las **figuras E y F**)
    - Sostenga la pistola pulverizadora a una misma distancia del objeto. La distancia ideal de pulverización es de aproximadamente 15 cm.
    - Pulverice uniformemente arriba y abajo con pasadas suaves a una velocidad constante como se ilustra en la **figura E**. Así, evitará irregularidades en el acabado (por ejemplo, chorreos y hundimientos).
    - Siempre aplique una capa delgada de material en la primera pasada y permita

que se seque antes de aplicar la segunda capa, ligeramente más espesa.

- Cuanto más cerca esté la pistola pulverizadora del objeto que se pulveriza, mayor será el exceso de pulverización.
- Al pulverizar, siempre mantenga pulsado el gatillo de la pistola de pulverización durante el pase de pulverización y suelte el gatillo antes de finalizar la pasada. Mantenga la pistola apuntada directamente a la superficie objeto de la pulverización y superponga los pases ligeramente para obtener un acabado lo más consistente y profesional posible.

### 8.9 Encendido y apagado de la pistola pulverizadora

#### a. Encendido

- Inserte el enchufe a una toma.
- Para poner en marcha la pistola pulverizadora, mantenga pulsado el gatillo (7).

#### b. Apagado

- Para detener la pulverización, tan solo tiene que soltar el gatillo (7).
- Una vez finalizado el trabajo, desconecte el enchufe de la toma.

## 9. Limpieza de la pistola pulverizadora

(Consulte la **figura A**)



*Instrucciones especiales de limpieza en caso de diluyentes inflamables con un punto de inflamación superior a 21 °C:*

- Siempre descargue la pistola pulverizadora al aire libre.
  - El área debe estar libre de vapores inflamables.
  - El área en la que se vaya a realizar la limpieza debe estar bien ventilada.
  - **¡NO SUMERJA el compresor de aire!**
- 9.1 Desenchufe la pistola pulverizadora y pulse el gatillo para descargar el material que está en el interior de la pistola de vuelta en el depósito.
  - 9.2 Desenrosque el depósito (11). Vacíe cualquier material restante de vuelta en el depósito del material.

- 9.3 Vierta una pequeña cantidad de una solución de limpieza apropiada en el depósito (agua tibia jabonosa para materiales de látex y aguarrás en el caso de los materiales de base oleosa). Limpie el depósito y elimine adecuadamente la solución de limpieza.
- 9.4 Rellene el depósito con una solución de limpieza NUEVA.
- 9.5 Acople el depósito a la pistola y ponga en marcha el pulverizador.
- 9.6 Pulverice la solución a través de la pistola durante un par de segundos en un área segura. Vuelva a pulverizar durante dos segundos. Desenchufe la pistola pulverizadora y pulse el gatillo para descargar el material que está en el interior de la pistola de vuelta en el depósito.
- 9.7 Limpie el exterior del contenedor y la pistola a conciencia.
- 9.8 Desenrosque la tuerca (1) y retire el soporte de boquilla de aire (2) y la boquilla (3).
- 9.9 Limpie el contenedor, el tubo de succión, el soporte de boquilla de aire y la boquilla con un cepillo de limpieza y una solución de limpieza adecuada.

**Nunca limpie las boquillas ni los orificios de ventilación de la pistola pulverizadora con objetos de metal afilados.**

**No utilice solventes ni lubricantes que contengan silicona.**

- 9.10 Gire ambos botones a ambos lados del conjunto conformado por el compresor de aire hasta la posición «Unblock» (desbloquear), tire de la pistola pulverizadora y sepárela del conjunto conformado por el compresor de aire. (Consulte la **figura B**)
- 9.11 (a) Limpie la parte posterior de la pistola pulverizadora con una solución de limpieza adecuada.  
(b) Gire el tubo de succión en sentido antihorario y tire de él hacia abajo para desacoplarlo de la pistola pulverizadora. Seguidamente, limpie el tubo de succión con una solución de limpieza apropiada.

## 10. Mantenimiento

(Consulte la **figura H**)

**Debe inspeccionar el filtro de aire del conjunto conformado por el compresor de aire para observar si está excesivamente sucio. En caso de estar sucio, siga el procedimiento siguiente para reemplazarlo.**

- a. Desenchufe la pistola pulverizadora. Retire la tapa del filtro directamente con las manos.
- b. Retire los filtros sucios y reemplácelos por otros nuevos.
- c. Vuelva a colocar la tapa en la carcasa principal.

**Nunca utilice la unidad sin filtros de aire. El sucio podría aspirarse e interferir con el funcionamiento del aparato.**

## 11. Resolución de problemas

Problema	Causa	Solución
A. Poco o ningún flujo de material	1. Boquilla obstruida.	1. Limpiar.
	2. Tubo de succión obstruido.	2. Limpiar.
	3. El ajuste del volumen de material se ha establecido en un valor demasiado bajo (-).	3. Establezca un ajuste de volumen más alto (+).
	4. Tubo de succión suelto.	4. Insertar.
	5. La presión no aumenta en el interior del depósito.	5. Cierre bien el depósito.
	6. Filtro de aire obstruido.	6. Cambiar.
B. Fuga de material	1. Boquilla suelta.	1. Apretar.
	2. Boquilla desgastada.	2. Reemplazar.
	3. Sello de la boquilla desgastado.	3. Reemplazar.
	4. Acumulación de material en el soporte de boquilla de aire y la boquilla	4. Limpiar.
C. La pulverización es demasiado gruesa	1. El material es demasiado viscoso.	1. Diluir.
	2. Demasiado volumen de material.	2. Disminuir el ajuste de volumen (-).
	3. El ajuste de volumen de material es demasiado elevado (+).	3. Disminuir el ajuste de volumen (-).
	4. Boquilla obstruida.	4. Limpiar.
	5. Filtro de aire obstruido.	5. Cambiar.

D. Se verifica una intermitencia en el chorro de pulverización	6. Insuficiente acumulación de presión en el depósito. 1. El material en el depósito está por agotarse.	6. Cierre bien el depósito. 1. Rellenar.
E. Se evidencian patrones de chorreo o hundimientos	2. Filtro de aire obstruido. 1. Material aplicado en exceso.	2. Cambiar. 1. Ajuste el flujo de material o pase la pistola pulverizadora más rápido.
F. Sobrepulverización	1. La pistola se coloca demasiado cerca del objeto que se pulveriza. 2. Demasiado material aplicado.	1. Aumente la distancia. 2. Disminuir el ajuste de volumen (-).
G. Patrón demasiado ligero y manchado.	1. La pistola se pasa demasiado rápido	1. Ajuste el flujo de material o pase la pistola pulverizadora más lentamente.

## 12. Datos técnicos

Tensión: . . . . . 220-240 V~  
 Potencia: . . . . . 500 W  
 Viscosidad máx.: . . . . . 100 DIN/s  
 Clase de protección: . . . . . doble aislamiento  
 Peso: . . . . . 1,40 kg

## 13. Eliminación



**No deseche las herramientas eléctricas junto a los residuos domésticos.**

El embalaje en el que se envía esta herramienta reduce los daños debidos al transporte.

El material de embalaje en cuestión es una materia prima que se puede reutilizar o reciclar. La herramienta eléctrica y sus accesorios están fabricados con diferentes materiales como metales y plástico. Lleve los componentes defectuosos a un punto de recogida de residuos especiales. Puede consultar con el vendedor o su ayuntamiento al respecto.

#### 14. Declaración CE de conformidad

Nosotros, **Batavia B.V.**, con domicilio social en **Weth. Wassebaliestraat 6d, NL-7951 SN Staphorst**, declaramos bajo nuestra propia responsabilidad que la **modelo BT-PSG013**, n.º de artículo **7063912**, cumple con los requisitos básicos recogidos en la **Directiva 2014/30/EU del Parlamento Europeo y del Consejo en materia de compatibilidad electromagnética (EMC)**, la **Directiva 2006/42/CE relativa a las máquinas** y la **Directiva 2011/65/EU sobre restricciones a la utilización de determinadas sustancias peligrosas en aparatos eléctricos y electrónicos (también conocida como RoHS)** y sus enmiendas. Para la evaluación del cumplimiento normativo se consultaron las siguientes normas armonizadas:

**EN 60745-1:2009/A11:2010**

**EN 50580:2012/A1:2013**

**EN 55014-1:2017**

**EN 55014-2:2015**

**PAHs: AfPS GS 2019:01**

Staphorst, 12 de mes de julio de 2021



Meino Seinen, representante de Aseguramiento de la Calidad de Batavia B.V.,  
Weth. Wassebaliestraat 6d,  
7951 SN Staphorst, Países Bajos

Tanto el producto como el manual de usuario están sujetos a cambios. Los datos técnicos pueden cambiar sin previo aviso.

## Estimado cliente,

Familiarize-se com a utilização adequada do dispositivo através da leitura e cumprimento de cada capítulo deste manual, pela ordem apresentada. Guarde estas instruções de utilização para consulta futura.

### Leia todas as instruções relacionadas com a segurança!

Este manual contém informações importantes sobre a utilização e manuseamento do dispositivo. Guarde estas instruções de utilização para consulta futura. Entregue-as juntamente com a unidade caso empreste o equipamento a terceiros.

## 1. Explicação dos símbolos

O seguintes símbolos são utilizados no manual do utilizador ou no produto:



*Aviso! Para reduzir o risco de lesões, o utilizador deve ler o manual de instruções.*



*Indica risco de lesões corporais, morte ou danos no equipamento no caso de não observância das instruções neste manual.*



*Utilize uma máscara antipó. Ao trabalhar com madeira e outros materiais, é possível a geração de pós nocivos. Não é permitido trabalhar com materiais que contenham amianto!*



*Utilize óculos de proteção. Sempre que se trabalha com ferramentas elétricas, é possível a ocorrência de faíscas, lascas, farpas e partículas de pó, que podem causar perda de visão.*



*"CE" significa "Conformidade Europeia", o que indica "em conformidade com a regulamentação da UE". Com a marcação CE, o fabricante confirma que esta ferramenta elétrica cumpre com as diretivas europeias aplicáveis.*



*Não elimine as ferramentas elétricas juntamente com os resíduos domésticos.*

## 2. Instruções de segurança gerais para ferramentas elétricas



**Advertência! Leia todas as instruções de segurança, indicações, ilustrações e dados técnicos fornecidos com esta ferramenta elétrica.**

O não cumprimento das seguintes instruções pode resultar em choque elétrico, incêndio e/ou lesões graves.

### Conserve todas as instruções de segurança e indicações para o futuro.

O termo "ferramenta elétrica" utilizado nas instruções de segurança refere-se a ferramentas elétricas com ligação à rede elétrica (com cabo de alimentação) ou a ferramentas elétricas operadas por bateria (sem cabo de alimentação).

### 2.1 Segurança no trabalho

- a. **Mantenha a sua área de trabalho limpa e bem iluminada.** A desarrumação ou a existência de áreas de trabalho não iluminadas poderão resultar em acidentes.
- b. **Não trabalhe com a ferramenta elétrica num ambiente potencialmente explosivo, no qual estejam presentes líquidos inflamáveis, gases ou poeiras.** As ferramentas elétricas geram faíscas que podem inflamar a poeira ou os vapores.
- c. **Mantenha as crianças e outras pessoas afastadas durante a utilização da ferramenta elétrica.** Durante um momento de distração, poderá perder o controlo da ferramenta elétrica.

### 2.2 Segurança elétrica

- a. **A ficha de ligação da ferramenta elétrica deve encaixar na tomada. A ficha não deve ser substituída em qualquer circunstância. Não utilize adaptadores de tomada em conjunto com ferramentas elétricas com ligação à terra.** As fichas não modificadas e as tomadas adequadas reduzem o risco de choque elétrico.
- b. **Evite o contacto físico com superfícies com ligação à terra, como tubos, aquecedores, fogões e frigoríficos.** Existe um maior risco de choque elé-

trico se o seu corpo estiver em contato com a terra.

- c. **Mantenha as ferramentas elétricas afastadas de chuva ou humidade.** A entrada de água numa ferramenta elétrica aumenta o risco de choque elétrico.
  - d. **Não utilize o cabo de ligação para transportar ou pendurar a ferramenta elétrica ou para retirar a ficha da tomada. Mantenha o cabo de ligação afastado de calor, óleo, arestas vivas ou peças móveis.** Os cabos de ligação danificados ou emaranhados aumentam o risco de choque elétrico.
  - e. **Se trabalhar com a ferramenta elétrica num espaço exterior, utilize apenas cabos de extensão adequados para o espaço exterior.** A utilização de um cabo de extensão adequado para o espaço exterior reduz o risco de choque elétrico.
  - f. **Se não for possível evitar o funcionamento da ferramenta elétrica num ambiente húmido, utilize um interruptor de corrente diferencial residual.** A utilização de um interruptor de corrente diferencial residual reduz o risco de choque elétrico.
- 2.3 **Segurança das pessoas**
- a. **Esteja alerta, preste atenção ao trabalho que está a realizar e seja razoável durante os trabalhos com a ferramenta elétrica. Não utilize qualquer ferramenta elétrica quando apresentar cansaço ou se encontrar sob a influência de drogas, álcool ou medicamentos.** Um momento de descuido durante a utilização da ferramenta elétrica poderá resultar em lesões graves.
  - b. **Use sempre equipamento de proteção pessoal e óculos de proteção.** O uso de equipamento de proteção pessoal, como máscara antipoeira, sapatos de segurança antiderrapantes, capacete ou proteção para os ouvidos, dependendo do tipo e da utilização da ferramenta elétrica, reduz o risco de lesões.
  - c. **Evite uma colocação em funcionamento acidental. Certifique-se de que**

**a ferramenta elétrica está desligada antes de ligar a mesma à fonte de alimentação e/ou à bateria, armazenar ou transportar.** Se mantiver o dedo no interruptor durante o transporte da ferramenta elétrica ou se ligar a ferramenta elétrica à fonte de alimentação enquanto a mesma se encontra ligada, tal poderá resultar num acidente.

- d. **Remova as ferramentas de ajuste ou as chaves inglesas antes de ligar a ferramenta elétrica.** Uma ferramenta ou uma chave que se encontre numa parte rotativa da ferramenta elétrica poderá resultar em lesões.
  - e. **Evite estar numa posição desconfortável. Certifique-se de que se encontra numa posição segura e mantenha sempre o equilíbrio.** Desta forma, será possível controlar de forma mais adequada a ferramenta elétrica em situações inesperadas.
  - f. **Use roupa adequada. Não use roupa larga ou jóias. Mantenha o cabelo e a roupa afastados de peças móveis.** A roupa larga, as joias ou o cabelo comprido podem ficar presos nas peças móveis.
  - g. **Se for possível montar equipamentos de extração e recolha de poeira, estes devem ser ligados e utilizados corretamente.** A utilização de um extrator de poeira poderá reduzir os perigos relacionados com a existência de poeira.
  - h. **Não confie numa falsa sensação de segurança e siga as regras de segurança para ferramentas elétricas, mesmo que esteja familiarizado com a ferramenta após várias utilizações da mesma.** A utilização desatenta do aparelho pode resultar em lesões graves numa fração de segundo.
- 2.4 **Utilização e tratamento da ferramenta elétrica**
- a. **Não sobrecarregue a ferramenta elétrica. Utilize a ferramenta elétrica adequada para o seu trabalho.** Com a ferramenta elétrica adequada, poderá trabalhar melhor e com maior segurança na zona de potência indicada.



- b. **Não utilize uma ferramenta elétrica cujo interruptor apresente defeito.** Uma ferramenta elétrica que já não possa ser ligada ou desligada constitui um perigo e deve ser reparada.
- c. **Desligue a ficha da tomada e/ou remova a bateria removível antes de realizar ajustes ao aparelho, substituir as peças da ferramenta de colocação ou guardar a ferramenta elétrica.** Esta medida de precaução evita a colocação em funcionamento acidental da ferramenta elétrica.
- d. **Mantenha as ferramentas elétricas não utilizadas fora do alcance das crianças. Não deixe que pessoas que não estejam familiarizadas com a ferramenta elétrica ou que não tenham lido estas instruções utilizem a mesma.** As ferramentas elétricas são perigosas se forem utilizadas por pessoas inexperientes.
- e. **Realize a manutenção das ferramentas elétricas e da ferramenta de colocação com cuidado. Verifique se as peças móveis estão a funcionar corretamente, se não estão presas e se estão quebradas ou danificadas o suficiente para afetar o funcionamento da ferramenta elétrica. Realize a reparação das peças danificadas antes de utilizar a ferramenta elétrica.** Muitos acidentes são causados devido à realização de uma má manutenção das ferramentas elétricas.
- f. **Mantenha as ferramentas de corte afiadas e limpas.** A realização de uma manutenção cuidada das ferramentas de corte, de forma que estas se mantenham com arestas afiadas, permite que as mesmas engravem com menor frequência e sejam mais fáceis de utilizar.
- g. **Utilize a ferramenta elétrica, a ferramenta de colocação etc. de acordo com estas instruções. Tenha em consideração as condições de trabalho e a atividade a realizar.** A utilização de ferramentas elétricas para aplicações diferentes das previstas pode resultar em situações de perigo.

- h. **Mantenha as pegas e as superfícies das pegas secas, limpas e livres de óleo e gordura.** As pegas e as superfícies das pegas escorregadias não permitem o funcionamento e o controlo seguros da ferramenta elétrica em situações inesperadas.

## 2.5 Serviço de assistência técnica

- a. **Deixe que a sua ferramenta elétrica seja reparada apenas por pessoal qualificado e apenas com peças de reposição originais.** Desta forma, será assegurada a segurança da ferramenta elétrica.

## 3. Instruções de segurança adicionais para pistolas pulverizadoras

Para reduzir o risco de incêndio ou explosão, choque elétrico e ferimentos de pessoas, leia e compreenda todas as instruções incluídas neste manual. Familiarize-se com os comandos e a utilização adequada do equipamento.



*Indica uma situação perigosa que, se não for evitada, poderá resultar em morte ou ferimentos graves.*

### a. PERIGO: EXPLOÇÃO OU INCÊNDIO

Os vapores de solventes e tinta podem explodir ou inflamar. Podem ocorrer ferimentos ou danos materiais.

#### PREVENÇÃO:

- Garanta uma ventilação adequada na zona de pulverização e ar fresco suficiente em toda a divisão. A evaporação de solventes inflamáveis irá criar um ambiente explosivo.
- Evite todas as fontes de ignição, tais como faíscas de eletricidade estática, chamas abertas, chamas piloto, aparelhos elétricos e objetos quentes. Ligar e desligar cabos de alimentação ou interruptores de luzes em funcionamento pode criar faíscas.
- Não fume na área de pulverização.
- É obrigatória a presença de extintores em boas condições de funcionamento.
- Utilize no exterior apenas numa área bem ventilada. Os vapores inflamáveis são frequentemente mais pesados do que o ar. A turbina contém peças em

arco que emitem faíscas e podem inflamar vapores.

- Siga os avisos e instruções do fabricante do produto e do solvente.
- Não utilize produtos com um ponto de inflamação abaixo dos 21 °C. O ponto de inflamação é a temperatura à qual um fluido pode produzir vapores suficientes para inflamar (consulte o fornecedor do revestimento).
- O plástico pode causar faíscas estáticas. Nunca utilize plástico para fechar a área de pulverização.
- Não utilize coberturas plásticas ao pulverizar produtos inflamáveis.

**b. PERIGO: PERIGO DE EXPLOÇÃO DEVIDO A PRODUTOS INCOMPATÍVEIS.**

Causará danos materiais e ferimentos graves.

**PREVENÇÃO:**

- Não utilize produtos que contenham lixívia ou cloro.
- Não utilize solventes com hidrocarboneto halogenado, tais como lixívia, produtos antibolor, cloreto de metileno e 1,1,1-tricloroetano. Estes não são compatíveis com alumínio.
- Contacte o seu fornecedor de revestimentos para saber mais sobre a compatibilidade do produto com alumínio.

**c. PERIGO: VAPORES PERIGOSOS**

Tintas, solventes, inseticidas e outros produtos podem ser perigosos de inalados ou entrarem em contacto com o corpo. Os vapores podem causar náuseas graves, desmaios ou envenenamento.

**PREVENÇÃO:**

- Utilize um respirador ou uma máscara se houver risco de inalação de vapores. Leia todas as instruções fornecidas com a máscara para se certificar de que oferece a proteção necessária.
- Utilize óculos de proteção.
- Utilize vestuário de proteção conforme exigido pelo fabricante do revestimento.

**d. PERIGO: GERAL**

Pode causar ferimentos graves ou danos materiais.

**PREVENÇÃO:**

- Siga os todos os códigos locais, estatais e nacionais adequados que se apliquem à ventilação, prevenção de incêndios e funcionamento.
- Utilize apenas peças autorizadas pelo fabricante. O utilizador assume todos os riscos e responsabilidades ao utilizar peças que não cumprem as especificações mínimas nem respeitam os dispositivos de segurança do fabricante.
- Não pulverize no exterior em dias ventosos.
- Utilize vestuário de proteção para manter a tinta longe da pele e cabelo.
- Nunca aponte a pistola pulverizadora a qualquer parte do corpo.
- Nunca aponte a pistola pulverizadora a pessoas ou animais.

**4. Informação elétrica importante**

**4.1 A ficha da ferramenta deve ser adequada à tomada. A ficha não pode ser modificada de forma alguma. Não utilize adaptadores de fichas com ferramentas de proteção ligadas à terra.**

As fichas não modificadas e tomadas adequadas reduzem o risco de choque elétrico.

**4.2 Evite o contacto físico com superfícies ligadas à terra, tais como tubos, elementos de aquecimento, fogões e frigoríficos.** O risco de choque elétrico aumenta se o seu corpo estiver ligado à terra.

**4.3 Mantenha o equipamento afastado da chuva ou humidade.** O risco de choque elétrico aumenta se a água penetrar no equipamento elétrico.

**4.4 Não utilize incorretamente o cabo de alimentação ao transportar a ferramenta pelo cabo, ao pendurar a ferramenta pelo cabo ou ao puxar o cabo para retirar a ficha. Mantenha o cabo afastado do calor, óleo, arestas afiadas ou peças de ferramentas em movimento.** Cabos danificados ou emaranhados aumentam o risco de choque elétrico.

**4.5 Se trabalhar no exterior, utilize apenas cabos extensores aprovados para uma utilização no exterior.** A utilização de um cabo extensor adequado ao exterior reduz o risco de choque elétrico.

## 5. Antes da primeira utilização

Retire a máquina e todos os acessórios da embalagem. Mantenha os materiais de embalagem fora do alcance de crianças pequenas. Risco de asfixia!

## 6. Conteúdo da embalagem

- 1x Pistola pulverizadora elétrica
- 4x Bicos: 2,5 mm (montado na máquina), 1,5 mm/2,0 mm/3,0 mm
- 1x Agulha de limpeza
- 1x Copo de medição da viscosidade
- 1x Escova de limpeza
- 1x Manual de instruções

## 7. Utilização prevista

A pistola pulverizadora Maxxspray é adequada para a aplicação de tinta, vernizes, primários, impermeabilizantes, tinturas e tinta para paredes interiores.

- Qualquer outra utilização ou modificação do aparelho é considerada inadequada e comporta um risco significativo de acidentes.
- A utilização de tintas, vernizes ou diluentes facilmente inflamáveis ou combustíveis é estritamente proibida.
- A utilização prevista também inclui uma operação de acordo com as instruções de funcionamento.
- Qualquer utilização que ultrapasse estes parâmetros pode criar riscos graves, sendo vista como algo contrário à finalidade prevista.
- A máquina não se destina a uma utilização comercial.

## 8. Montagem

(Veja as Fig. A, B).

### 8.1 Monte a pistola pulverizadora na armação principal

- Insira a pistola pulverizadora (16) na armação principal (5) na posição "Blo-

queio aberto" na armação principal. Gire no sentido dos ponteiros do relógio.

- Bloqueie a armação principal e o conjunto da pistola pulverizadora com o bloqueio de libertação rápida (9).

### 8.2 Alinhamento do tubo de sucção

(Veja as Fig. C, G).

- Se pulverizar numa direção descendente, a extremidade angular do tubo de sucção (17) de ser apontada para a parte frontal da pistola.
- Se pulverizar numa direção ascendente, a extremidade angular do tubo de sucção (17) de ser apontada para a parte posterior da pistola.
- Ao apontar o tubo de sucção na direção adequada, não terá de encher o recipiente tão frequentemente.

### 8.3 Preparação do produto

#### Viscosidade

- O aparelho pode processar produto de pulverização até um máximo de 100 DIN<sub>s</sub> (viscosidade). Pode determinar a viscosidade (espessura) da substância com o copo de medição da viscosidade através de um processo de medição simplificado.
- Antes de pulverizar, o produto a utilizar pode precisar de ser diluído com um solvente adequado conforme especificado pelo fabricante do produto. Nunca exceda a recomendação de diluição fornecida pelo fabricante do revestimento.
- Não utilize produtos com um ponto de inflamação abaixo dos 21 °C. Siga as instruções abaixo.

### 8.4 Diluente de tinta

- a. Mexa o produto de pulverização cuidadosamente antes de medir a viscosidade.
- b. Mergulhe o copo de medição da viscosidade (15) completamente no produto de pulverização.
- c. Segure o copo de medição (15) numa posição ascendente e conte o tempo (em segundos) decorrido até o fluxo de líquido parar. O valor resultante é referido como segundos DIN (DIN<sub>s</sub>).

- d. Se o valor for demasiado alto, dilua gradualmente o produto de pulverização ao adicionar pequenas quantidades de um agente diluente adequado e misturando o líquido.
- e. Conte os segundos DIN novamente. Repita o processo até medir uma viscosidade inferior a 100 segundos DIN.
- Não exceda a viscosidade máxima do aparelho. O produto de pulverização não deve ser demasiado espesso. Caso contrário, o aparelho poderá entupir.
  - Garanta que o produto de pulverização e o agente diluente são compatíveis. Utilizar um agente diluente não adequado pode causar entupimentos no aparelho. Nunca misture vernizes de resina sintéticos com diluentes à base de celulose.
  - Produtos granulares e produtos que contêm sólidos não devem ser pulverizados. O efeito abrasivo destes irá reduzir a vida útil da bomba e da válvula.
  - O produto a pulverizar deve sempre ser coado para remover quaisquer impurezas na tinta, que poderão entrar e entupir o sistema. Impurezas na tinta resultarão num fraco desempenho e acabamento.



*O ponto de inflamação do produto tem de ser de 21 °C ou superior.*

### 8.5 Encher o recipiente

(Ver Fig. G).

- a. Desaparafuse o recipiente (11) da pistola pulverizadora.
- b. Depois do produto ter sido devidamente diluído e coado, encha o recipiente.
- c. Aparafuse cuidadosamente o recipiente na pistola pulverizadora.

### 8.6 Ajuste do padrão de pulverização

(Ver Fig. D).

O padrão de pulverização é ajustado ao rodar o suporte para bico de ar (2) para uma posição vertical, horizontal ou diagonal. As posições do suporte para bico de ar e os padrões de pulverização correspondentes estão ilustrados (veja a Fig. D). Teste cada padrão e utilize o padrão adequado à sua aplicação.

### 8.7 Ajuste do fluxo do produto

Defina o volume do produto ao rodar o botão de ajuste de produto (8).

### 8.8 Técnicas de pulverização adequadas

- Se pulverizar com um sistema de pulverização de alto volume e baixa pressão for algo novo ou pouco familiar para si, pratique num pedaço de madeira ou cartão antes de começar a trabalhar na peça pretendida.

#### a. Preparação da superfície

- Cubra cuidadosamente uma grande área em torno da superfície a pulverizar. Qualquer superfície que não esteja coberta pode ser contaminada.
- Certifique-se de que a superfície está limpa, seca e sem gordura.
- As superfícies polidas devem ser lixadas ligeiramente e o pó recolhido.

#### b. Como pulverizar devidamente

(Veja as Fig. E, F).

- Segure na pistola pulverizadora e mantenha-a a uma distância constante do objeto. A distância de pulverização ideal é de aproximadamente 15 cm.
- Pulverize uniformemente para cima e para baixo com passagens suaves a uma velocidade constante, conforme ilustrado na Fig. E. Fazê-lo irá ajudar a evitar irregularidades no acabamento (ou seja, correntes e deslizamentos).
- Aplique sempre uma camada fina de produto na primeira passagem e deixe secar antes de aplicar a segunda camada ligeiramente mais pesada.
- Quanto mais próximo o pulverizador estiver do objeto a pulverizar, maior será a pulverização em excesso.
- Ao pulverizar, pressione sempre continuamente o gatilho da pistola pulverizadora após iniciar a passagem de pulverização e solte o disparador antes de interromper a passagem. Mantenha sempre a pistola apontada em esquadria à superfície a pulverizar e sobreponha ligeiramente as passagens para obter o acabamento mais consistente e profissional possível.

## 8.9 Ligar e desligar a pistola pulverizadora

### a. Ligar

- Insira a ficha na tomada elétrica.
- Para ligar a pistola pulverizadora, pressione continuamente o gatilho (7).

### b. Desligar

- Para interromper a pulverização, solte o gatilho (7).
- Quando acabar o trabalho, desligue a tomada fonte de alimentação elétrica.

## 9. Limpeza da pistola pulverizadora

(Ver Fig. G).



*Instruções especiais de limpeza para utilização com solventes inflamáveis (o ponto de inflamação tem de ser superior a 21 °C):*

- Descarregue sempre a pistola pulverizadora no exterior.
  - A área tem de estar livre de vapores inflamáveis.
  - A área de limpeza tem de ser bem ventilada.
  - **NÃO SUBMERJA o compressor de ar!**
- 9.1 Desligue a pistola pulverizadora e dispare a pistola pulverizadora para que o produto no interior da pistola pulverizadora seja transferido para o recipiente.
  - 9.2 Desaparafuse o recipiente (11). Esvazie qualquer produto remanescente para o recipiente do produto.
  - 9.3 Verta uma pequena quantidade de solução de limpeza adequada no recipiente (água quente e sabão para produtos com látex; aguarrás para produtos à base de óleo). Limpe o recipiente e elimine adequadamente a solução de limpeza.
  - 9.4 Encha novamente o recipiente com uma solução de limpeza NOVA.
  - 9.5 Fixe o recipiente à pistola e ligue o pulverizador.
  - 9.6 Pulverize a solução através da pistola durante dois segundos numa área segura. Pulverize novamente durante dois segundos. Desligue a pistola pulve-

rizadora e dispare a pistola pulverizadora para que o produto no interior da pistola pulverizadora seja transferido para o recipiente.

- 9.7 Limpe totalmente o exterior do recipiente e da pistola.
- 9.8 Desaparafuse a porca (1) e remova o suporte para bico de ar (2) e o bico (3).
- 9.9 Limpe o recipiente, o tubo de sucção, o suporte para bico de ar e o bico com uma escova de limpeza e a solução de limpeza adequada.

**Nunca limpe o bico ou os orifícios de ventilação na pistola pulverizadora com objetos metálicos afiados.**

**Não utilize solventes ou lubrificantes que contenham silicone.**

- 9.10 Rode ambos os botões em ambos os lados do conjunto do compressor de ar para a posição "Desbloquear", puxe e separe a pistola pulverizadora do conjunto do compressor de ar. (veja a Fig. B).
- 9.11 (a) Limpe a parte posterior da pistola pulverizadora com a solução de limpeza adequada.  
(b) Rode o tubo de sucção no sentido dos ponteiros do relógio e puxe o tubo de sucção para baixo para o desmontar da pistola pulverizadora. Depois, limpe o tubo de sucção com a solução de limpeza adequada.

## 10. Manutenção

(Veja a Fig. H).

**Deve inspecionar o filtro de ar no conjunto do compressor de ar para verificar se está excessivamente sujo. Se estiver sujo, siga os passos abaixo para o substituir.**

- a. Desligue da pistola pulverizadora. Retire a tampa do filtro diretamente com as mãos.
- b. Retire os filtros sujos e substitua-os por novos.
- c. Fixe a tampa novamente na armação principal.

**Nunca utilize a unidade sem os filtros de ar. A sujidade pode ser sugada e interferir com o funcionamento da unidade.**

## 11. Resolução de problemas

Problema	Causa	Solução
A. Pouco ou nenhum fluxo de produto	<ol style="list-style-type: none"> <li>1. Bico entupido.</li> <li>2. Tubo de sucção entupido.</li> <li>3. Definição do volume de produto demasiado baixa (-).</li> <li>4. Tubo de sucção solto.</li> <li>5. Sem acumulação de pressão no recipiente.</li> <li>6. Filtro de ar entupido.</li> </ol>	<ol style="list-style-type: none"> <li>1. Limpe.</li> <li>2. Limpe.</li> <li>3. Aumente a definição do volume (+).</li> <li>4. Insira-o.</li> <li>5. Aperte o recipiente.</li> <li>6. Mude-o.</li> </ol>
B. Fuga de produto	<ol style="list-style-type: none"> <li>1. Bico solto.</li> <li>2. Bico desgastado.</li> <li>3. Vedante do bico desgastado.</li> <li>4. Acumulação de produto no suporte para bico de ar e no bico</li> </ol>	<ol style="list-style-type: none"> <li>1. Aperte-o.</li> <li>2. Substitua-o.</li> <li>3. Substitua-o.</li> <li>4. Limpe.</li> </ol>
C. Atomização demasiado espessa	<ol style="list-style-type: none"> <li>1. Viscosidade do produto demasiado elevada.</li> <li>2. Volume de produto demasiado grande.</li> <li>3. Definição do volume de produto demasiado alta (+).</li> <li>4. Bico entupido.</li> <li>5. Filtro de ar entupido.</li> <li>6. Pouca pressão acumulada no recipiente.</li> </ol>	<ol style="list-style-type: none"> <li>1. Dilua-o.</li> <li>2. Reduza a definição do volume (+).</li> <li>3. Reduza a definição do volume (+).</li> <li>4. Limpe.</li> <li>5. Mude-o.</li> <li>6. Aperte o recipiente.</li> </ol>
D. Jato de pulverização com impulsos	<ol style="list-style-type: none"> <li>1. Fuga de produto do recipiente.</li> <li>2. Filtro de ar entupido.</li> </ol>	<ol style="list-style-type: none"> <li>1. Encha-o novamente.</li> <li>2. Mude-o.</li> </ol>
E. Escorrimento ou deslizamento no padrão	<ol style="list-style-type: none"> <li>1. Aplicação de demasiado produto.</li> </ol>	<ol style="list-style-type: none"> <li>1. Ajuste o fluxo de produto ou aumente o movimento de pulverização.</li> </ol>

F. Demasiada pulverização	1. Pistola demasiado próxima do objeto a pulverizar. 2. Demasiado produto aplicado.	1. Aumente a distância. 2. Reduza a definição do volume (+).
G. Padrão muito leve e com manchas.	1. A pistola pulverizadora é movida demasiado depressa	1. Ajuste o fluxo de produto ou reduza o movimento de pulverização.

## 12. Dados técnicos

Tensão: . . . . . 220-240 V~  
 Potência: . . . . . 500 W  
 Viscosidade máxima: . . . . . 100 DIN<sub>s</sub>  
 Classe de proteção: . . . . . isolamento duplo  
 Peso: . . . . . 1,40 kg

## 13. Eliminação



*Não elimine as ferramentas elétricas juntamente com os resíduos domésticos.*

Esta ferramenta elétrica é expedida numa embalagem para minimizar os danos de transporte.

Esta embalagem é uma matéria-prima e, como tal, pode ser reutilizada ou reintroduzida no respetivo ciclo. Esta ferramenta elétrica e os seus acessórios são feitos de vários materiais, tais como metais e plásticos. Leve as peças defeituosas para um ponto de recolha especial. Coloque as suas questões a este respeito numa loja da especialidade ou autoridade local.

## 14. Declaração de conformidade CE

Nós, **Batavia B.V., Weth. Wassebaliestraat 6d, NL-7951 SN Staphorst**, declaramos sob a nossa responsabilidade que o produto **Item n.º 7063912, Modelo n.º BT-PSG013** está de acordo com os requisitos básicos definidos nas Diretivas Europeias **2014/30/UE (relativa à compatibilidade eletromagnética (CEM)), 2006/42/CE (relativa às máquinas), 2011/65/UE (relativa à restrição do uso de determinadas substâncias perigosas em equipamentos elétricos e eletrónicos)** e respetivas alterações. Para a avaliação de conformidade, foram consultadas as seguintes normas harmonizadas:

**EN 60745-1:2009/A11:2010**  
**EN 50580:2012/A1:2013**  
**EN 55014-1:2017**  
**EN 55014-2:2015**  
**PAHs: AfPS GS 2019:01**

Staphorst, 12 de julho de 2021

Meino Seinen, QA Representative  
 Batavia B.V., Weth. Wassebaliestraat 6d,  
 7951 SN Staphorst, Países Baixos

O produto e o manual do utilizador podem ser sujeitos a alterações. Os dados técnicos podem ser alterados sem aviso prévio.

## Szanowny Kliencie!

Prosimy o zapoznanie się z prawidłowym użyciem urządzenia poprzez przeczytanie każdego z poniższych rozdziałów instrukcji, w podanej kolejności. Zachować instrukcję obsługi do wykorzystania w przyszłości.

### Należy przeczytać wszystkie instrukcje dotyczące bezpieczeństwa!

Niniejsza instrukcja zawiera najważniejsze informacje dotyczące bezpiecznej obsługi i korzystania z urządzenia. Zachować instrukcję obsługi do wykorzystania w przyszłości. Prosimy o dołączenie instrukcji do urządzenia w przypadku przekazywania urządzenia innej osobie.

## 1. Objasnienie symboli

W instrukcji obsługi lub na produkcie stosowane są następujące symbole:



*Ostrzeżenie! W celu zredukowania ryzyka obrażeń użytkownik musi przeczytać instrukcję obsługi.*



*Oznacza ryzyko obrażeń ciała, śmierci lub uszkodzenia narzędzia w przypadku nieprzestrzegania zaleceń zawartych w niniejszej instrukcji.*



*Nosić maskę przeciwpyłową. Podczas pracy z drewnem lub innymi materiałami może powstawać szkodliwy pył. Prace związane z materiałami zawierającymi azbest nie są dozwolone!*



*Nosić okulary ochronne. Podczas pracy z elektronarzędziami może dochodzić do powstawania iskier, odprysków, wiórów oraz cząstek pyłu, które mogą spowodować utratę wzroku.*



*CE jest skrótem od „Conformité Européenne”, co oznacza „Zgodnie z przepisami UE”. Za pomocą znaku CE producent potwierdza, że niniejsze elektronarzędzie spełnia wymagania obowiązujących dyrektyw UE.*



*Nie należy utylizować elektronarzędzi z odpadami domowymi.*

## 2. Ogólne wskazówki bezpieczeństwa dotyczące elektronarzędzi



**UWAGA! Zapoznać się ze wszystkimi wskazówkami bezpieczeństwa, instrukcjami, ilustracjami i danymi technicznymi, którymi jest opatrzone elektronarzędzie.**

Zaniedbania w przestrzeganiu poniższych instrukcji mogą spowodować porażenie prądem elektrycznym, pożar i/lub ciężkie obrażenia.

### Przechowywać wszystkie wskazówki bezpieczeństwa i instrukcje na przyszłość.

Użyte we wskazówkach bezpieczeństwa pojęcie „elektonarzędzie” odnosi się do elektronarzędzi zasilanych z sieci (z przewodem sieciowym) albo do elektronarzędzi zasilanych z akumulatora (bez przewodu sieciowego).

#### 2.1 Bezpieczeństwo na stanowisku pracy

- Miejsce pracy musi być czyste i dobrze oświetlone.** Bałagan lub nieoświetlone obszary robocze mogą być przyczyną wypadków.
- Nie pracować z elektronarzędziem w otoczeniu grożącym wybuchem, w którym znajdują się palne ciecze, gazy lub pyły.** Elektronarzędzia wytwarzają iskry, które mogą zapalić pył lub opary.
- Podczas pracy z użyciem elektronarzędzia zachować odległość od dzieci i innych osób.** Odwrócenie uwagi może spowodować utratę kontroli nad elektronarzędziem.

#### 2.2 Bezpieczeństwo elektryczne

- Wtyczka przyłączeniowa elektronarzędzia musi pasować do gniazdka wtykowego. Nie wolno w żaden sposób modyfikować wtyczki. Nie używać wtyczki adaptera razem z elektronarzędziami z uziemieniem ochronnym.** Niezmodyfikowane wtyczki oraz odpowiednie gniazdka wtykowe zmniejszają ryzyko porażenia prądem elektrycznym.
- Unikać kontaktu ciała z uziemionymi powierzchniami, takimi jak rury, instalacje grzewcze, piece oraz lodówki.** Gdy ciało jest uziemione, zwiększa się ryzyko porażenia prądem elektrycznym.



- c. **Chronić elektronarzędzie przed deszczem i wilgocią.** Przedostanie się wody do elektronarzędzia zwiększa ryzyko porażenia prądem elektrycznym.
- d. **Nie używać przewodu przyłączeniowego niezgodnie z jego przeznaczeniem – do noszenia, zawieszania elektronarzędzia, a także do wyciągania wtyczki z gniazdka wtykowego. Chronić przewód przyłączeniowy przed wysoką temperaturą, olejem, ostrymi krawędziami oraz częściami ruchomymi.** Uszkodzone albo splątane przewody przyłączeniowe zwiększają ryzyko porażenia prądem elektrycznym.
- e. **Pracując przy użyciu elektronarzędzia na wolnym powietrzu używać wyłącznic przedłużaczy przeznaczonych do pracy na zewnątrz budynków.** Zastosowanie przedłużacza nadającego się do pracy na zewnątrz budynków zmniejsza ryzyko porażenia prądem elektrycznym.
- f. **Jeżeli nie można uniknąć eksploatacji elektronarzędzia w wilgotnym otoczeniu, używać wyłącznika różnicowoprądowego.** Zastosowanie wyłącznika różnicowoprądowego zmniejsza ryzyko porażenia prądem elektrycznym.
- 2.3 Bezpieczeństwo osób**
- a. **Zachować ostrożność, uważnie wykonywać czynności i podchodzić do pracy z użyciem elektronarzędzia z rozsądkiem. Nie używać elektronarzędzia pod wpływem zmęczenia, narkotyków, alkoholu lub leków.** Chwila nieuwagi podczas pracy z elektronarzędziem może prowadzić do poważnych obrażeń.
- b. **Nosić środki ochrony indywidualnej i – zawsze – okulary ochronne.** Noszenie środków ochrony indywidualnej, takich jak maska przeciwpyłowa, obuwie ochronne na podeszwie przeciwpoślizgowej, kask ochronny czy ochroniacze słuchu – odpowiednio do rodzaju elektronarzędzia i sposobu jego zastosowania – zmniejsza ryzyko odniesienia obrażeń.
- c. **Unikać niezamierzonego uruchomienia. Przed podłączeniem do sieci zasilającej lub akumulatora, podniesieniem albo noszeniem upewnić się, że elektronarzędzie jest wyłączone.** Trzymanie palca na wyłączniku podczas noszenia elektronarzędzia albo podłączanie włączonego elektronarzędzia do sieci może prowadzić do wypadków.
- d. **Przed włączeniem elektronarzędzia usunąć narzędzia nastawcze oraz klucz do śrub.** Narzędzie lub klucz w obracającym się elemencie elektronarzędzia może być przyczyną obrażeń.
- e. **Unikać nienaturalnych pozycji ciała. Zadbaj o stabilną postawę i zawsze zachowywać równowagę.** Zapewni to lepszą kontrolę nad elektronarzędziem w nieoczekiwanych sytuacjach.
- f. **Nosić odpowiednią odzież. Nie nosić luźnej odzieży ani biżuterii. Włosy i odzież utrzymywać z dala od ruchomych części.** Luźna odzież, biżuteria i długie włosy mogą zostać pochwycone przez obracającą się część.
- g. **Jeżeli można zamontować urządzenia odciągowe albo wychwytyjące pył, należy je podłączyć i prawidłowo ich używać.** Użycie instalacji odciągowej pyłu może zmniejszyć zagrożenie spowodowane przez pył.
- h. **Nie dać się znieść złudnemu poczuciu bezpieczeństwa i nie ignorować zasad bezpieczeństwa obowiązujących dla elektronarzędzi, nawet jeśli jest się zaznajomionym z elektronarzędziem po jego wielokrotnym użyciu.** Nieumiejętna obsługa może w ułamku sekundy doprowadzić do ciężkich obrażeń.
- 2.4 Stosowanie i obsługa elektronarzędzia**
- a. **Nie przeciążać elektronarzędzia. Do pracy używać odpowiedniego elektronarzędzia.** Odpowiednim elektronarzędziem pracuje się lepiej i bezpieczniej w danym zakresie mocy.
- b. **Nie używać elektronarzędzia z uszkodzonym wyłącznikiem.** Elektronarzędzie, którego nie można włączyć albo wyłączyć, jest niebezpieczne i należy je naprawić.

- c. **Przed rozpoczęciem ustawiania elektronarzędzia, wymianą narzędzi wymiennych lub odłożeniem elektronarzędzia wyciągnąć wtyczkę z gniazdka wtykowego i/lub usunąć zdejmowany akumulator.** Ten środek ostrożności zapobiega niezamierzonemu uruchomieniu elektronarzędzia.
- d. **Niewykorzystywane elektronarzędzia przechowywać poza zasięgiem dzieci. Nie pozwalać na korzystanie z elektronarzędzia osobom, które nie są zaznajomione z jego obsługą lub nie przeczytały niniejszych wskazówek.** Elektronarzędzia są niebezpieczne, gdy korzystają z nich osoby niedoświadczone.
- e. **Starannie dbać o elektronarzędzie i narzędzia wymienne. Sprawdzać, czy ruchome części działają prawidłowo i nie zakleszczają się, czy części nie są połamane ani uszkodzone w sposób uniemożliwiający działanie elektronarzędzia.** Przed użyciem elektronarzędzia zlecić naprawę uszkodzonych części. Przyczyną wielu wypadków jest nieprawidłowa konserwacja elektronarzędzi.
- f. **Narzędzia skrawające muszą być ostre i czyste.** Starannie zadbane narzędzia skrawające z ostrymi krawędziami tnącymi rzadziej się zakleszczają i łatwiej je prowadzić.
- g. **Używać elektronarzędzia, narzędzia wymiennego, narzędzi wymiennych itp. zgodnie z niniejszymi wskazówkami. Uwzględniać przy tym warunki pracy i wykonywaną czynność.** Użycie elektronarzędzi do celów innych niż przewidziane może prowadzić do niebezpiecznych sytuacji.
- h. **Uchwyty i powierzchnie chwytne muszą być suche, czyste oraz wolne od olejów i smarów.** Śliskie uchwyty i powierzchnie chwytne nie umożliwiają bezpiecznej obsługi i kontroli elektronarzędzia w nieprzewidzianych sytuacjach.

## 2.5 Serwis

- a. **Naprawę elektronarzędzia zlecać tylko wykwalifikowanym specjalistom,**

**którzy użyją wyłącznie oryginalnych części zamiennych.** Gwarantuje to zachowanie bezpieczeństwa elektronarzędzia.

## 3. Dodatkowe ostrzeżenia dotyczące pracy z elektrycznymi pistoletami natryskowymi

Aby zmniejszyć ryzyko pożaru lub wybuchu, porażenia prądem i obrażeń ciała, należy uważnie przeczytać wszystkie instrukcje zawarte w niniejszym podręczniku. Zapoznać się z elementami sterującymi i prawidłowym użytkowaniem sprzętu.



*Oznacza niebezpieczną sytuację, która może spowodować śmierć lub poważne zranienie, jeżeli nie zostaną podjęte działania zaradcze.*

### a. NIEBEZPIECZEŃSTWO: WYBUCH LUB POŻAR

Opary rozpuszczalników i farb mogą zapalić się lub eksplodować. Może dojść do poważnych obrażeń ciała lub szkód materialnych.

#### ZAPOBIEGANIE:

- Zapewnić odpowiednią wentylację w strefie natryskiwania i wystarczającą ilość świeżego powietrza w całym pomieszczeniu. Odparowanie łatwopalnych rozpuszczalników spowoduje powstanie środowiska wybuchowego.
- Unikać wszelkich źródeł zapłonu, takich jak elektryczność statyczna, otwarte płomienie, lampki kontrolne, urządzenia elektryczne i gorące przedmioty. Podłączanie lub odłączanie przewodów zasilających bądź włączników światła może spowodować iskrzenie.
- Nie palić tytoniu w obszarze rozpylania.
- Na miejscu musi znajdować się sprawna gaśnica.
- Używać tylko na zewnątrz w przewiewnym miejscu. Palne opary są często cięższe od powietrza. Turbina zawiera elementy wytwarzające łuk, które emitują iskry i mogą zapalić opary.
- Postępować zgodnie z ostrzeżeniami i instrukcjami producenta środka malarzkiego i rozpuszczalnika.

- Nie używać środków o temperaturze zapłonu niższej niż 21°C. Temperatura zapłonu to temperatura, w której płyn może wytworzyć wystarczającą ilość oparów do zapłonu (więcej informacji można uzyskać od dostawcy środka malarskiego).
  - Tworzywa sztuczne mogą powodować pojawianie się elektryczności statycznej. Nigdy nie rozwieszać plastikowych kurtyn w celu odseparowania obszaru nanoszenia powłoki malarskiej.
  - Podczas natryskiwania materiałów łatwopalnych nie używać folii malarskiej.
- b. NIEBEZPIECZEŃSTWO: ZAGROŻENIE WYBUCEM ZE WZGLĘDU NA NIEZGODNE MATERIAŁY.**

Niebezpieczeństwo powstania szkód materialnych lub poważnych obrażeń ciała.

**ZAPOBIEGANIE:**

- Nie używać materiałów zawierających wybielacz lub chlor.
- Nie używać rozpuszczalników na bazie węglowodorów chlorowcowanych, takich jak wybielacz, środek przeciw pleśni, chlorek metylenu i 1,1,1-trichloroetan. Nie są to substancje kompatybilne z aluminium.
- Skontaktować się z dostawcą powłoki malarskiej w sprawie kompatybilności materiału z aluminium.

**c. NIEBEZPIECZEŃSTWO: NIEBEZPIECZNE OPARY**

Farby, rozpuszczalniki, środki owadobójcze i inne środki mogą być szkodliwe w przypadku wdychania lub kontaktu z ciałem. Opary mogą powodować silne nudności, omdlenia lub zatrucia.

**ZAPOBIEGANIE:**

- Jeśli nie można uniknąć wdychania oparów, używać półmasek lub masek. Przeczytać wszystkie instrukcje dołączone do masek, aby upewnić się, że zapewni ona niezbędną ochronę.
- Korzystać z okularów ochronnych.
- Stosować odzież ochronną zgodnie z zaleceniami producenta powłoki malarskiej.

**d. NIEBEZPIECZEŃSTWO: INFORMACJE OGÓLNE**

Może spowodować poważne obrażenia ciała lub szkody materialne.

**ZAPOBIEGANIE:**

- Należy przestrzegać wszystkich miejscowych, stanowych i krajowych przepisów określających wymagania w zakresie wentylacji, zapobiegania pożarom i użytkowania urządzenia.
- Używać wyłącznie części zatwierdzonych przez producenta. Użytkownik przyjmuje na siebie wszelkie ryzyko i odpowiedzialność w przypadku korzystania z części, które nie spełniają minimalnej specyfikacji i wymagań urządzeń zabezpieczających producenta.
- Nie rozpylać na zewnątrz w wietrzne dni.
- Nosić odzież ochronną, aby farba nie miała kontaktu ze skórą i włosami.
- Nigdy nie kierować pistoletu natryskowego na jakąkolwiek część ciała.
- Nigdy nie kierować pistoletu natryskowego na ludzi lub zwierzęta.

**4. Ważne informacje dotyczące części elektrycznych**

**4.1 Wtyczka narzędzia musi pasować do gniazda. Wtyczka nie może być w żaden sposób modyfikowana. Nie podłączać narzędzi z uziemieniem ochronnym do wtyczek przejściowych.**

Niezmodyfikowana wtyczka i właściwe gniazdo zmniejszają ryzyko porażenia prądem.

**4.2 Unikać kontaktu fizycznego z uzmiemionymi powierzchniami, takimi jak rury, infrastruktura grzejna, kuchenki elektryczne, lodówki.** Porażenie prądem ma groźniejsze skutki, gdy ciało jest uziemione.

**4.3 Chronić elektronarzędzia przed deszczem i wilgocią.** Ryzyko porażenia prądem wzrasta, jeśli woda dostanie się do wnętrza urządzenia elektrycznego.

**4.4 Nie używać przewodu zasilającego niezgodnie z przeznaczeniem, przynosząc narzędzie za przewód, zawieszając je na przewodzie lub ciągnąc**

**za przewód w celu wyjęcia wtyczki. Nie wolno zbliżyć przewodu do źródeł ciepła, oleju, ostrych krawędzi lub ruchomych elementów urządzenia.**

Uszkodzone lub zaplątane przewody zwiększają ryzyko porażenia prądem elektrycznym.

- 4.5 Gdy elektronarzędzie używane jest na zewnątrz, należy stosować przewody przedłużające, które przystosowane są do użytku na zewnątrz.** Używanie przewodu przedłużającego, który przystosowany jest do użytku na zewnątrz umożliwia ograniczenie ryzyka porażenia prądem.

## 5. Przed pierwszym użyciem

Wyjąć urządzenie oraz wszystkie akcesoria z opakowania. Materiały opakowaniowe należy przechowywać poza zasięgiem małych dzieci. Występuje zagrożenie uszkodzeniem!

## 6. Zawartość opakowania

- 1x elektryczny pistolet natryskowy
- 4x dysza: 2,5 mm (założona na urządzenie), 1,5 mm/2,0 mm/3,0 mm
- 1x igła do czyszczenia
- 1x pojemnik do sprawdzania lepkości
- 1x szczoteczka do czyszczenia
- 1x instrukcja obsługi

## 7. Przeznaczenie

Pistolet natryskowy Maxxspray służy do nanoszenia farb, lakierów, warstw gruntujących, uszczelniaczy, bejc i farb do ścian wewnętrznych.

- Wszelkie inne użycia lub modyfikacje urządzenia są uważane za niewłaściwe i niosą ze sobą znaczne ryzyko wypadków.
- Stosowanie łatwopalnych lub palnych farb, lakierów bądź rozcieńczalników jest surowo zabronione.
- Użycie zgodne z przeznaczeniem polega również na przestrzeganiu instrukcji obsługi.
- Jakiegokolwiek użycie wykraczające poza powyższe zalecenia może być niebezpieczne i jest definiowane jako użytkowanie niezgodne z przeznaczeniem.

- Urządzenie nie jest przeznaczone do użytku komercyjnego.

## 8. Montaż

(Patrz rys. A, B).

### 8.1 Montaż pistoletu na jednostce głównej

- Zamontować pistolet natryskowy (16) na jednostce głównej (5), gdy na jednostce głównej wybrano położenie „otwarta blokada”. Obrócić w prawo.
- Zablokować jednostkę główną i pistolet natryskowy za pomocą szybkiej blokady (9).

### 8.2 Ustawienie rurki zasysającej

(Patrz rys. C, G).

- Jeżeli natryskiwanie będzie wykonywane w dół, zakrzywiona część rurki zasysającej (17) powinna być skierowana do przodu pistoletu.
- Jeżeli natryskiwanie będzie wykonywane do góry, zakrzywiona część rurki zasysającej (17) powinna być skierowana do tyłu pistoletu.
- Skierowanie rurki zasysającej we właściwą stronę pozwoli ograniczyć częstotliwość napełniania pojemnika.

### 8.3 Przygotowanie

#### Lepkość

- Urządzenie może pracować z płynami natryskowymi spełniającymi normę do 100 DIN<sub>s</sub> (lepkość). Lepkość (gęstość) substancji można określić za pomocą dostarczonej miarki, przy użyciu uproszczonej procedury pomiarowej.
- Przed natryskiwaniem nanoszona substancja może wymagać rozcieńczenia odpowiednim rozpuszczalnikiem określonym przez producenta. Nigdy nie przekraczać zaleceń dotyczących rozcieńczenia podanych przez producenta substancji malarskiej.
- Nie używać materiałów o temperaturze zapłonu poniżej 21°C. Postępować zgodnie z poniższymi instrukcjami.

### 8.4 Rozcieńczanie farby

- a. Przed pomiarem lepkości dokładnie wymieszać substancję do natryskiwania.

- b. Całkowicie zanurzyć pojemnik do sprawdzenia lepkości **(15)** w substancji do natryskiwania.
- c. Wyjąć pojemnik testowy **(15)** i zmierzyć czas (w sekundach) do ustania strumienia cieczy. Uzyskana wartość to sekundy DIN (DIN<sub>9</sub>).
- d. Jeśli wartość jest zbyt wysoka, należy stopniowo rozcieńczać substancję do natryskiwania, dodając niewielkie ilości odpowiedniego rozcieńczalnika i mieszając ciecz.
- e. Ponownie zmierzyć sekundy DIN. Powtórzyć proces, do uzyskania lepkości mniejszej niż 100 sekund DIN.
  - Nie przekraczać maksymalnej lepkości urządzenia. Substancja do natryskiwania nie może być zbyt gęsta. W przeciwnym razie urządzenie może się zatkać.
  - Upewnić się, że środek do natryskiwania i środek rozcieńczający są zgodne. Użycie nieodpowiedniego środka rozcieńczającego może spowodować zakrzepy, które zatkają urządzenie. Nigdy nie mieszać lakierów na bazie żywicy syntetycznej z rozcieńczalnikami celulozowymi.
  - Produktów granulowanych i zawierających substancje stałe nie wolno rozpylać. Ich działanie ściernie skraca żywotność pompy i zaworu.
  - Substancję do natryskiwania należy zawsze precedzić, aby usunąć wszelkie zanieczyszczenia z farby, które mogą zatkać system. Zanieczyszczenia w farbie spowodują niską wydajność i niezadowolający efekt.



*Punkt zapłonu natrykiwanej substancji musi wynosić przynajmniej 21 C.*

### 8.5 Napełnianie zbiornika

(Patrz **rys. G**).

- a. Odkręcić pojemnik **(11)** od pistoletu natryskowego.
- b. Po odpowiednim rozcieńczeniu i przedzeniu substancji, napełnić pojemnik.
- c. Ostrożnie przykręcić pojemnik do pistoletu natryskowego.

### 8.6 Regulacja kształtu strumienia natrysku

(patrz **Rys. D**).

Do regulacji kształtu strumienia natrysku służy pokrywa dyszy **(2)**, którą należy ustawić w położeniu pionowym, poziomym lub ukośnym. W instrukcji zostały przedstawione położenia skrzydełek pokrywy dyszy i kształt strumienia natrysku (patrz **rys. D**). Zaleca się przetestowanie każdego wzoru i użycie tego, który jest odpowiedni dla danego zastosowania.

### 8.7 Regulacja przepływu substancji

Ustawić intensywność natrysku, obracając pokrętkę regulacji przepływu **(8)**.

### 8.8 Właściwa technika natrysku

- W razie braku doświadczenia, zaleca się przeciwczenie natryskiwania za pomocą systemu natryskowego HVLP na kawałku drewna lub tektury przed rozpoczęciem pracy na zamierzonym elemencie.

#### a. Przygotowanie powierzchni

- Ostrożnie nanosić natrykiwaną substancję na dużą powierzchnię. Każda powierzchnia, która nie jest zamaskowana, może ulec zabrudzeniu.
- Upewnić się, że powierzchnia jest czysta, sucha i wolna od tłuszczu.
- Lakierowane powierzchnie należy lekko przeszlifować i usunąć pył szlifierski.

#### b. Prawidłowe wykonanie natrysku

(Patrz **rys. E, F**).

- Trzymać pistolet natryskowy w stałej odległości od obiektu. Idealna odległość natryskiwania to ok. 15 cm.
- Natrykiwać równo, w górę i na dół, płynnymi ruchami ze stałą prędkością, jak pokazano na **rys. E**. Pomoże to uniknąć nieregularnego wykończenia (tj. smug i zacieków).
- Zawsze nanosić cienką warstwę materiału w pierwszym przejściu i pozostawić do wyschnięcia przed nałożeniem drugiej, nieco grubszej warstwy.
- Im bliżej pistoletu znajduje się obiekt, który jest natrykiwany, tym intensywniejsze zanieczyszczanie sąsiednich powierzchni.

- Podczas natryskiwania należy zawsze nacisnąć i przytrzymać spust pistoletu natryskowego po rozpoczęciu przemieszczania pistoletu i zwolnić spust przed zakończeniem przemieszczania pistoletu. Zawsze trzymać pistolet skierowany prosto na powierzchnię natrysku i zapewnić nieznaczne nakładanie się kolejnych pasm, aby uzyskać możliwie najbardziej spójne i profesjonalne wykończenie.

## 8.9 Włączanie/wyłączenie pistoletu natryskowego

### a. Włączanie

- Podłączyć wtyczkę do gniazda zasilającego.
- Aby włączyć pistolet natryskowy, nacisnąć i przytrzymać spust (7).

### b. Wyłączenie

- Aby przerwać natrysk, zwolnić spust (7).
- Po zakończeniu pracy odłączyć wtyczkę od zasilania sieciowego.

## 9. Czyszczenie pistoletu natryskowego

(Patrz rys. G).



*Specjalne instrukcje dotyczące czyszczenia w przypadku łatwopalnych rozpuszczalników (o temperaturze zapłonu powyżej 21°C).*

- Zawsze czyścić pistolet na zewnątrz.
  - Przestrzeń musi być wolna od palnych oparów.
  - Miejsce czyszczenia musi być dobrze wentylowane.
  - **NIE ZANURZAĆ sprężarki!**
- 9.1 Odłączyć pistolet natryskowy i nacisnąć spust pistoletu, aby substancja wewnątrz pistoletu natryskowego spłynęła z powrotem do pojemnika.
  - 9.2 Odkręcić pojemnik (11). Wylać resztkę substancji do oryginalnego pojemnika.
  - 9.3 Wlać niewielką ilość odpowiedniego roztworu czyszczącego do pojemnika (ciepła woda z mydłem w przypadku materiałów lateksowych; benzyna lakowa w przypadku materiałów na bazie oleju). Oczyścić pojemnik i odpo-

wiednio zutilizować roztwór czyszczący.

- 9.4 Napełnić pojemnik ŚWIEŻYM roztworem czyszczącym.
- 9.5 Przymocować pojemnik do pistoletu i podłączyć urządzenie.
- 9.6 Rozpylać roztwór przez pistolet przez dwie sekundy w bezpiecznym miejscu. Powtórzyć rozpylanie przez dwie sekundy. Odłączyć pistolet natryskowy i nacisnąć spust pistoletu, aby substancja wewnątrz pistoletu natryskowego spłynęła z powrotem do pojemnika.
- 9.7 Wytrzeć do czysta zewnętrzną powierzchnię pojemnika i pistoletu.
- 9.8 Odkręcić nakrętkę (1) i zdjąć pokrywkę dyszy (2) oraz dyszę (3).
- 9.9 Wyczyścić pojemnik, rurkę zasysającą, pokrywkę dyszy i dyszę szczoteczką do czyszczenia i odpowiednim roztworem czyszczącym.

**Nigdy nie czyścić dyszy lub otworów powietrznych w pistolecie natryskowym ostrymi metalowymi przedmiotami.**

**Nie używać rozpuszczalników ani smarów zawierających silikon.**

- 9.10 Obrócić oba pokręta po obu stronach zespołu sprężarki do pozycji „odblokowanej”, pociągnąć i odłączyć pistolet natryskowy od zespołu sprężarki. (Patrz rys. B).
- 9.11 (a) Wyczyścić tylną część pistoletu natryskowego odpowiednim roztworem czyszczącym.  
(b) Obrócić rurkę zasysającą w lewo i pociągnąć ją w dół, aby ją odłączyć od pistoletu natryskowego. Następnie wyczyścić rurkę zasysającą odpowiednim roztworem czyszczącym.

## 10. Konserwacja

(Patrz rys. H).

**Należy sprawdzić, czy filtr powietrza w zespole sprężarki nie jest nadmiernie zabrudzony. Jeśli jest zabrudzony, wykonać poniższe czynności, aby go wymienić.**

- a. Odłączyć pistolet natryskowy. Zdjąć pokrywkę filtra ręką.
- b. Usunąć brudne filtry i wymienić je na nowe.

- c. Zamocować pokrywę na głównej obudowie.

**Nigdy nie używać urządzenia bez filtrów powietrza. Brud może zostać zassany i zakłócać działanie urządzenia.**

## 11. Rozwiązywanie problemów

Problem	Przyczyna	Rozwiązanie
A. Brak lub słaby przepływ substancji	<ol style="list-style-type: none"> <li>1. Zatkana dysza.</li> <li>2. Zatkana rurka zasysająca.</li> <li>3. Zbyt niskie ustawienie przepływu(-).</li> <li>4. Rurka zasysająca poluzowała się.</li> <li>5. Brak ciśnienia w pojemniku.</li> <li>6. Filtr powietrza jest niedrożny.</li> </ol>	<ol style="list-style-type: none"> <li>1. Wyczyścić.</li> <li>2. Wyczyścić.</li> <li>3. Zwiększyć ustawienie przepływu (+).</li> <li>4. Poprawić.</li> <li>5. Dokręcić pojemnik.</li> <li>6. Wymienić.</li> </ol>
B. Wyciek	<ol style="list-style-type: none"> <li>1. Poluzowana dysza.</li> <li>2. Zużyta dysza.</li> <li>3. Zużyta uszczelka dyszy.</li> <li>4. Substancja zgromadziła się na pokrywce dyszy i dyszy</li> </ol>	<ol style="list-style-type: none"> <li>1. Dokręcić.</li> <li>2. Wymienić.</li> <li>3. Wymienić.</li> <li>4. Wyczyścić.</li> </ol>
C. Zbyt małe rozdrobnienie natryskiwanych cząstek	<ol style="list-style-type: none"> <li>1. Zbyt wysoka lepkość substancji.</li> <li>2. Zbyt duży przepływ.</li> <li>3. Zbyt wysokie ustawienie przepływu (+).</li> <li>4. Zatkana dysza.</li> <li>5. Filtr powietrza jest niedrożny.</li> <li>6. Zbyt niskie ciśnienie w pojemniku.</li> </ol>	<ol style="list-style-type: none"> <li>1. Rozcieńczyć.</li> <li>2. Zmniejszyć ustawienie przepływu (-).</li> <li>3. Zmniejszyć ustawienie przepływu (-).</li> <li>4. Wyczyścić.</li> <li>5. Wymienić.</li> <li>6. Dokręcić pojemnik.</li> </ol>
D. Pulsujący strumień natrysku	<ol style="list-style-type: none"> <li>1. Kończy się natryskiwana substancja w pojemniku.</li> <li>2. Filtr powietrza jest niedrożny.</li> </ol>	<ol style="list-style-type: none"> <li>1. Napełnić.</li> <li>2. Wymienić.</li> </ol>
E. Tworzą się zacieki lub smugi	<ol style="list-style-type: none"> <li>1. Nanoszenie zbyt dużej ilości substancji.</li> </ol>	<ol style="list-style-type: none"> <li>1. Wyregulować przepływ lub szybciej przemieszczać pistolet podczas natryskiwania.</li> </ol>

F. Zbyt silne zanieczyszczenie sąsiednich powierzchni	1. Pistolet trzymany zbyt blisko obiektu.  2. Nanoszona jest zbyt duża ilość materiału.	1. Zwiększyć odległość.  2. Zmniejszyć ustawienie przepływu (-).
G. Warstwa jest bardzo jasna i nierówno pokryta.	1. Pistolet przemieszczany jest zbyt szybko	1. Wyregulować przepływ lub wolniej przemieszczać pistolet podczas natryskiwania.

## 12. Dane techniczne

Napięcie: . . . . . 220-240 V~  
Moc: . . . . . 500 W  
Maks. lepkość: . . . . . 100 DIN<sub>s</sub>  
Klasa zabezpieczenia: . . . . . podwójna izolacja  
Waga: . . . . . 1,40 kg

## 13. Utylizacja



*Nie należy utylizować elektronarzędzi z odpadami domowymi.*

Narzędzie z napędem elektrycznym jest dostarczane w opakowaniu celem zredukowania uszkodzeń w czasie transportu.

Opakowanie jest surowcem i jako takie może zostać ponownie użyte lub ponownie przetworzone. Narzędzie z napędem elektrycznym i jego akcesoria wykonane są z różnych materiałów, takich jak metale i tworzywa sztuczne. Uszkodzone elementy należy przekazać do specjalnych punktów gromadzenia odpadów. Informacje o nich można uzyskać w sklepie lub u władz lokalnych.

## 14. Deklaracja zgodności z wymogami UE

Firma **Batavia B.V., Weth. Wassebaliestraat 6d, NL-7951 SN Staphorst**, oświadcza na własną odpowiedzialność, że produkt **pozycja nr 7063912, nr modelu BT-PSG013** jest zgodny z podstawowymi wymaganiami, które zostały określone w dyrektywach Europejskich dotyczących **kompatybilności elektromagnetycznej 2014/30/UE (EMC), 2006/42/WE (maszynowej), RoHS: 2011/65/UE** oraz poprawkach do nich. W celu oceny zgodności zastosowane zostały następujące normy zharmonizowane:

**EN 60745-1:2009/A11:2010**

**EN 50580:2012/A1:2013**

**EN 55014-1:2017**

**EN 55014-2:2015**

**PAHs: AfPS GS 2019:01**

Staphorst, 12 lipiec 2021 r.

Meino Seinen, Przedstawiciel ds.  
QA Batavia B.V., Weth. Wassebaliestraat 6d,  
7951 SN Staphorst, Holandia  
Produkt i instrukcja obsługi mogą ulec zmianie. Dane techniczne mogą zostać zmienione bez wcześniejszego powiadomienia.









# BATAVIA

## 2 YEAR WARRANTY

### This product has got a 2 year warranty

Dear Client, if for any reason this product is not working, please ensure you contact our [Client Service Centre](#). Ensure you have your original receipt of purchase. This warranty covers all defects in workmanship or materials in this Batavia product for a two year period from the date of purchase. The warranty does not cover any malfunction, or defect resulting from misuse, neglect, alteration, or repair.

### Dieses Produkt hat 2 Jahre Garantie

Sehr geehrter Kunde, unsere Produkte unterliegen einer strengen Qualitätskontrolle. Sollte dieses Gerät nicht einwandfrei sein, so wenden Sie sich bitte immer zuerst an unseren [Kunden-Service](#). Bitte bewahren Sie unbedingt den Kaufbeleg auf. Die Garanteileistung gilt nur für Material- oder Fabrikationsfehler. Gebrauchsfelder sind Mängel die durch häufigen Gebrauch, missbräuchlicher und unsachgemäßer Behandlung oder Gewalteinwirkung verursacht worden sind.

### Ce produit a 2 ans de garantie

Cher client, Si pour une raison quelconque, ce produit ne fonctionne pas, veuillez contacter notre [Centre de service après-vente](#). Conservez le bon d'achat original. Cette garantie couvre tous les défauts de matériau et de main d'œuvre constatés sur ce produit Batavia pendant une période de deux ans à compter de la date d'achat. Les défauts de fonctionnement et autres résultant d'abus ou de mauvais emploi, de négligence, de modifications ou réparations non autorisées sont exclus de la garantie.

### Dit product heeft 2 jaar garantie

Geachte klant, onze producten ondergaan een streng kwaliteitscontrole proces. Wanneer dit product niet correct functioneert, wend u zich alstublieft altijd eerst tot onze [klantenservice](#). Bewaar altijd uw aankoopbewijs. De garantiereserve is alleen van toepassing op materiaal- of productiefouten. Uitgesloten zijn gebreken veroorzaakt door intensief gebruik, misbruik en incorrecte behandeling of extern geweld.

### Questo prodotto è garantito per 2 anni

Gentile Cliente, se per una qualche ragione il prodotto non funziona, La invitiamo a mettersi in contatto con il nostro [Centro Assistenza Clienti](#). Si accerti di avere la ricevuta originale dell'acquisto. La garanzia copre tutti i difetti di fabbricazione o di materiale in questo prodotto Batavia per un periodo di 2 anni dalla data di acquisto. La garanzia non copre malfunzionamenti o difetti derivanti da uso inappropriato, improprio, da modifiche o riparazioni.

### Este producto tiene dos años de garantía

Estimado cliente: si por cualquier razón este producto no funciona, póngase en contacto con nuestro [Centro de Atención al Cliente](#). Asegúrese de tener a mano la factura de compra original. Esta garantía cubre todos los defectos de mano de obra o materiales de este producto de Batavia por un período de dos años a partir de la fecha de compra. La garantía no cubre ningún mal funcionamiento o defectos resultantes del mal uso, negligencia, alteración o reparación.


### Este produto tem uma garantia de 2 anos

Estimado Cliente, se, por qualquer motivo, este produto não estiver a funcionar devidamente, contacte o nosso [Centro de Apoio ao Cliente](#). Certifique-se de que possui a prova de compra original. Esta garantia cobre todos os defeitos de fabrico ou materiais do produto Batavia durante um período de dois anos, a contar da data de compra. A garantia não cobre quaisquer avarias ou defeitos resultantes de um uso indevido, negligência, modificações ou reparações.

### Produkt posiada 2-letnią gwarancję.


Szanowny Kliencie! Jeśli z jakiegokolwiek powodu niniejszy produkt nie działa, prosimy skontaktować się z naszym Centrum obsługi serwisowej. Upewnij się, że posiadasz oryginalny dowód zakupu. Niniejsza gwarancja obejmuje wszystkie wady produkcyjne i materiałowe w produktach Batavia przez okres dwóch lat od daty zakupu. Gwarancja nie obejmuje żadnych usterek lub uszkodzeń wynikających z nieprawidłowego użycia, zaniedbania, modyfikacji lub naprawy.

Deutschland – Kundenservice – Montag bis Freitag von 9 bis 17 Uhr

 01805 937 832\*

Other European countries – Customer Services /  
Autres pays d'Europe – Service clientèle /  
Overige landen Europa – Klantenservice

Monday till Friday from 8 am until 4 pm / Lundi jusqu'à Vendredi  
de 9 – 17 heure / Maandag t/m vrijdag van 9 tot 17 uur

 00800 664 774 00



\*Nur €0,14 /Minute aus dem dt. Festnetz,  
max. €0,42/Minute aus den Mobilfunknetzen

Model: BT-PSG013  
Item-No.: 7063912  
[www.batavia.eu](http://www.batavia.eu) | [info@batavia.eu](mailto:info@batavia.eu)

7063912/3

BATAVIA B.V. | Weth. Wassebaliestraat 6d | 7951SN Staphorst | Netherlands