

★★★ TRISTAR



EN | Instruction manual

NL | Gebruiksaanwijzing

FR | Mode d'emploi

DE | Bedienungsanleitung

ES | Manual de usuario

PT | Manual de utilizador

IT | Manuele utente

SV | Bruksanvisning

PL | Instrukcja obsługi

CS | Návod na použití

SK | Návod na použitie

DH-5419

PARTS DESCRIPTION / ONDERDELENBESCHRIJVING / DESCRIPTION DES PIÈCES / TEILEBESCHREIBUNG /
DESCRIPCIÓN DE LAS PIEZAS / DESCRIÇÃO DOS COMPONENTES / DESCRIZIONE DELLE PARTI /
BESKRIVNING AV DELAR / OPIS CZĘŚCI / POPIS SOUČÁSTÍ / POPIS SÚČASTÍ



SAFETY

- Please read this user's manual carefully to ensure proper use, maintenance and installation.
- By ignoring the safety instructions the manufacturer cannot be held responsible for the damage.
- The appliance is for indoor use only.
- Do not use the unit on a socket under repairs or not installed properly.
- Do not use the unit:
 - near a source of fire.
 - in an area where oil is likely to splash.
 - in an area exposed to direct sunlight.
 - in an area where water is likely to splash.
 - near a bath, a shower or a swimming pool.
- Never insert your fingers or any other object into the air outlet. Take special care to warn children of these dangers.
- Keep the unit upward while transport and storage.
- Before cleaning or moving the unit, always turn off or disconnect the power supply.
- If the supply cord is damaged, it must be replaced by the manufacturer, its service agent or similarly qualified persons in order to avoid a hazard.
- Never move the appliance by pulling the cord and make sure the cord cannot become entangled.
- The appliance must be placed on a stable, level surface.
- This appliance is only to be used for household purposes and only for the purpose it is made for.
- The appliance shall be installed in accordance with national wiring regulations.
- Notes:
 - Contact the dealer or a designated repair shop if any parts are damaged;
 - In case of any damage, please turn off the unit, disconnect the power supply and contact the dealer or a designated repair shop.
 - In any case, the power cord shall be firmly grounded.
 - This appliance shall not be used by children aged less than 8 years. This appliance can be used by children aged from 8 years and above and persons with reduced physical,

sensory or mental capabilities or lack of experience and knowledge if they have been given supervision or instruction concerning use of the appliance in a safe way and understand the hazards involved. Children shall not play with the appliance. Keep the appliance and its cord out of reach of children aged less than 8 years. Cleaning and user maintenance shall not be made by children unless older than 8 and supervised.

Warning

- To protect yourself against an electric shock, do not immerse the cord, plug or appliance in the water or any other liquid.
 - The appliance shall be stored in a room without continuously operating ignition sources (for example: open flames , an operating gas appliance or an operating electric heater).
 - Do not pierce or burn.
 - Be aware that refrigerants may not contain an odor.
 - Contact authorized service technician for repair or maintenance of this unit.
- Do not pull , deform or modify the power supply cord , or immerse it in water . Pulling or misuse of the power supply cord can result in damage to the unit and cause electrical shock.
 - Compliance with national gas regulations shall be observed.
 - Keep ventilation openings clear of obstructions.
 - Any person who is involved with working on or opening a refrigerant circuit should hold a current valid certificate from an industry accredited assessment authority which authorizes their competence to handle refrigerants safely in accordance with an industry recognized assessment specification.
 - Servicing should only be performed as recommended by the equipment manufacturer. Maintenance and repair requiring the assistance of other skilled personnel should be carried out under the supervision of a person(s) competent in the use of flammable refrigerants.
 - Do not stop the unit by pulling out the power plug whilst in operation as this may cause an electric shock or fire due to heat generation

unless strange sounds are heard or if strange smells or smoke appear from the unit.

- Unplug the unit if strange sounds, smell, or smoke comes from it.



Caution

- Please make sure the product ventilates all the time, make sure the inlet and outlet ventilation are not blocked in any way.
- Operate this unit on a horizontal surface to avoid water leakage.
- Do not operate this unit in an explosive or corrosive atmosphere.
- Operate this unit in an ambient of 35 degree centigrade or less.
- When the unit is shut off, please wait at least 3.5 minutes before restarting. This to prevent the compressor from being damaged.

- To avoid the household electricity block out, please do not use any extension cord for this unit.

Refrigerant

Specific information regarding appliances with R 290 refrigerant gas.

- Thoroughly read all of the warnings.
- When defrosting and cleaning the appliance, do not use any tools other than those recommended by the manufacturing company.
- The appliance must be placed in an area without any continuously sources of ignition (for example: open flames, gas or electrical appliances in operation).
- Do not puncture and do not burn.
- This appliance contains Y g (see rating label back of unit) of R290 refrigerant gas.
- R290 is a refrigerant gas that complies with the European directives on the environment. Do not puncture any part of the refrigerant circuit.
- If the appliance is installed, operated or stored in a non-ventilated area, the room must be designed to prevent to the accumulation of refrigerant leaks that could

result in a fire risk or explosion due to ignition of the refrigerant caused by electric heaters, stoves, or other sources of ignition.

- The appliance must be stored in such a way as to prevent mechanical failure.
- Individuals who operate or work on the refrigerant circuit must have the appropriate certification issued by an accredited organization that ensures competence in handling refrigerants according to a specific evaluation recognized by associations in the industry.
- Repairs must be performed based on the recommendation from the manufacturing company. Maintenance and repairs that require the assistance of other qualified personnel must be performed under the supervision of an individual specified in the use of flammable refrigerants.

(CE) N 842/2006: This unit contains the refrigerant R290. The amount of refrigerant is less than 1kg, and is in a closed cooling circuit. The coolant does have zero ozone depletion potential, but is a so-called greenhouse gases under the Kyoto Protocol and may thus contribute to global warming, if it is released to the atmosphere. Therefore only trained technicians with refrigerant certificate make a filling or emptying. Your appliance does not have be refilled with refrigerant if used properly and has an undamaged coolant circuit. GWP: R290: 3



- **WARNING:** In order to avoid overheating, do not cover the heater.

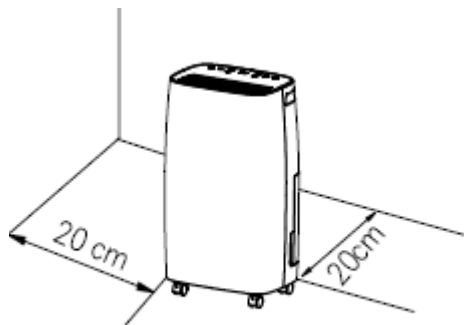
PARTS DESCRIPTION

1. Control panel
2. Air outlet louvres
3. Filter covering
4. Air filter
5. Drainage tank
6. Water outlet
7. Drainage hose

BEFORE THE FIRST USE

- Place the unit in the correct upright position before unpacking.
- Take the appliance and accessories out the box. Remove the stickers, protective foil or plastic from the device.
- Before using your appliance for the first time, wipe off all removable parts with a damp cloth. Never use abrasive products.
- Please ensure the unit is not placed against objects which will obstruct air intake e.g. furniture or curtains as this will affect its performance dramatically.
- Please don't place or operate the unit in a narrow place
- Do not place the unit in full sun as it might shut down due to overheat and the color of the unit may soon fade out.

- A distance of 20cm minimum must be kept between the unit and the wall or any other obstacles.

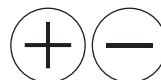


- Put the power cable into the socket. (Note: Make sure the voltage which is indicated on the device matches the local voltage before connecting the device. Voltage 220V-240V 50Hz).

USING THE CONTROL PANEL



- **Power** - Touch once to switch the appliance on, touch again to switch the appliance to standby.
- **Power indicator** – Illuminates when the appliance is plugged in.



- **Plus and Minus** – Touch the + or – icons to increase or decrease the time between 01-24 hours or to adjust the humidity level between 40% and 80% with 5% intervals.



- **Fan Speed** - Touch to switch between HIGH and LOW fan speeds.
- **Fan speed indicators** – Indicates the selected fan speed.



- **Humidity** – Touch to change the humidity level then use the + and – icons to increase or decrease the humidity level between 40% and 80% with 5% intervals.

After operating for a period in an environment where the humidity level is 2 % lower than the selected humidity level, the compressor will stop then the fan will continue to run for 3 minutes before stopping. When the humidity of the environment is equal to or higher than the selected humidity by 2%, the compressor will restart after 3 minutes.



Humidity and Timer display – When the appliance is turned on, it displays the current humidity level in the room. When the humidity level is adjusted, the selected humidity will blink shortly on the display then current humidity level be shown.

When the humidity level in the room is lower than 35%, it will show “35”. When the humidity level in the room is higher than 95%, it will show “95”.

When setting the timer, the timer will blink shortly in the display then be shown for a few seconds before the display reverts to showing the current humidity level.



- **Timer** - to set a scheduled time for the appliance to switch on or to standby.
 - **Timer indicator** – Illuminates when the timer is activated.
- The timer can be set between 01-24 hours.
- To set the time for the appliance to switch on, while the appliance is on standby, touch the timer icon, the timer indicator will illuminate, then use the + and - icons to set the time. The time in the display will blink for 5 seconds then stop. The time indicator will remain illuminated until the appliance turns on.

- To set the time for the appliance to switch off, while the appliance is in operation, touch the timer icon, the timer indicator will illuminate, then use the + and - icons to set the time. The time in the display will blink for 5 seconds before it reverts to showing the current room temperature. The time indicator will remain illuminated until the appliance turns off.
- To cancel the timer programming touch the timer icon twice, the timer indicator will go out and the timer will no longer be active.

Note: The programmed time remains unchanged if the machine stops operating due to a full tank or during defrosting.



- **Child Lock** - Touch and hold the Child Lock icon for 5 seconds to activate the Child Lock feature, all other functions will not work when activated, to disable the Child Lock touch the Child Lock icon again for 5 seconds.
- **Child Lock indicator** – Illuminates when the Child Lock is on.
- **WATER FULL indicator** – When the drainage tank is full, the Water Full indicator will illuminate, the appliance will stop operating and beep 15 times to alert the user that the water needs to be emptied from the drainage tank > follow the steps in this manual for “Emptying the Drainage Tank”.

USE

- Plug the appliance in an earthed socket. The appliance will beep once, the power indicator will illuminate.

- Touch the power icon to turn the appliance on, the fans will start operating and the current humidity level will be shown on the display.
- If desired you can follow the steps under – “Using the Control Panel” to set the timer, adjust the fan speed or the humidity level.
- Touch the power icon again to switch the appliance on standby.
- Unplug the appliance when not in use.

Low -Temperature Operation with Automatic Defrost

When the appliance is operating in a room with temp. between 5°C and 12°C it will automatically stop every 30 minutes to defrost.

When the appliance is operating in a room with temp. between 12°C and 20°C, it will be stop every 45 minute to defrost.

CONTINUOUS WATER DRAINAGE

The appliance features a continuous drainage port.

- Open the tank and attach one end of supplied hose to the water outlet inside the drainage tank and allow the collected water to drain continuously.



EMPTYING THE DRAINAGE TANK

When the drainage tank is full, the Water Full indicator will illuminate, the operation will stop automatically and the buzzer will beep 15 times to alert the user, that the water needs to be emptied from the drainage tank .

- Lightly press on the sides of the tank with both hands and gently pull out the tank.
- Remove the drainage tank and empty the water.

If the drainage tank is dirty, wash it with cold or lukewarm water. Do not use detergent, scouring pads, chemically treated dust cloths, gasoline, benzene, thinner, or other solvents, as these can scratch and damage the tank and cause water leakage.

- Place the drainage tank back into the appliance. When replacing the drainage tank, press the tank firmly into place with both hands. If the tank is not positioned properly, the “WATER FULL” sensor will be activated, and the appliance will not operate.



Note: Do not remove the float from the water tank. The water full sensor will no longer be able to detect the water level correctly without the float and water may leak from the water tank.



CLEANING AND MAINTENANCE

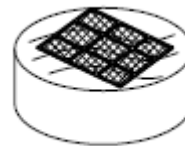
- Before cleaning, be sure to disconnect the unit from any electric supply outlet.
- First clean the surface with a neutral detergent and wet cloth, and then wipe it with a dry cloth.
- Do not use gasoline or other chemicals to clean the unit.

CLEANING THE FILTER

- Unplug the appliance before cleaning.
- Open the filter covering and remove the filter.



- Gently vacuum clean the filter to remove any dirt. If the filter is exceptionally dirty, wash it with warm water and a mild cleanser and dry thoroughly.



- Fit the filter back onto the filter cover and attach it back onto the appliance.

TROUBLESHOOTING

Problem	Possible causes	Suggested solution
---------	-----------------	--------------------

The appliance does not work.	Is the power line properly connected?	Connect the plug into the socket.
	The Water Full indicator light is on (water tank full or not in the right place).	Drain the water in the tank
	The room temperature is above 35 degrees or under 7 degrees.	The protection device is active and the appliance cannot be started.
	Is the child lock on?	If the child lock is on, unlock it by touching and holding the child lock button for 5 seconds.
The dehumidification function cannot start.	Is the filter blocked?	Clean the filter according to the cleaning instructions.
	Is the air inlet or outlet blocked?	Remove the obstruction from the air inlet or outlet.
The appliance makes noise.	Is the machine tilted?	Move the machine to a flat, horizontal surface.
	Is the filter blocked?	Clean the air filter according to the cleaning instructions.
No air is discharged	Is the filter blocked?	Clean the air filter according to the cleaning instructions.

STORAGE

- Empty the water in the tank.
- Roll up the power cord.
- Clean the filter.
- Store the unit in a cool and dry place.

DECLARATION OF CONFORMITY

Hereby, Tristar Europe declares that the radio equipment type is in compliance with Directive 2014/53/EU

The full text of the EU declaration of conformity is available at the following internet address: http://www.tristar.eu/tristar_group/download_center

THE PRODUCT OR EQUIPMENT CONTAINS FLUORINATED GREENHOUSE GAS.

Art. nr. DH-5419

Coolant: R290

Quantity in kg: 45g

Global Warming Potential: 3

CO2 Equivalent in tonnes: 0.000135

ENVIRONMENT



This appliance should not be put into the domestic garbage at the end of its durability, but must be offered at a central point for the recycling of electric and electronic domestic appliances. This symbol

on the appliance, instruction manual and packaging puts your attention to this important issue. The materials used in this appliance can be recycled. By recycling of used domestic appliances you contribute an important push to the protection of our environment. Ask your local authorities for information regarding the point of recollection.

Support

You can find all available information and spare parts at service.tristar.eu!

VEILIGHEID

- Lees deze gebruiksaanwijzing zorgvuldig door voor een correct(e) gebruik, onderhoud en installatie.
- Als u de veiligheidsinstructies negeert, kan de fabrikant niet verantwoordelijk worden gehouden voor de mogelijke schade.
- Het apparaat is alleen geschikt voor gebruik binnenshuis.
- Gebruik het apparaat niet als het stopcontact defect is of niet correct is geïnstalleerd.
- Gebruik het apparaat niet:
 - in de buurt van open vuur.
 - in een omgeving waar olie kan spatten.
 - in een omgeving die blootgesteld is aan direct zonlicht.
 - in een omgeving waar water kan spatten.
 - in de buurt van een bad, een douche of een zwembad.
- Steek nooit uw vingers of een voorwerp in de luchtuitlaat. Waarschuw kinderen voor deze gevaren.
- Bewaar het apparaat tijdens het vervoer en bij de opslag rechtop.
- U dient de stroomtoevoer uit te schakelen of te ontkoppelen voordat u het apparaat reinigt of verwijdert.
- Als het netsnoer beschadigd is, moet het worden vervangen door de fabrikant, de onderhoudsmonteur van de fabrikant of door personen met een soortgelijke kwalificatie om gevaar te voorkomen.
- Verplaats het apparaat nooit door aan het snoer te trekken en zorg dat het snoer niet in de war kan raken.
- Het apparaat moet op een stabiele, vlakke ondergrond worden geplaatst.
- Dit apparaat is uitsluitend voor huishoudelijk gebruik en voor het doel waar het voor bestemd is.
- Het apparaat moet worden geïnstalleerd in overeenstemming met nationale bedradingsvoorschriften.
- Opmerkingen:
 - Neem contact op met de dealer of een aangewezen reparatiewerkplaats als er onderdelen beschadigd zijn.

- In het geval van schade is het de bedoeling dat u het apparaat uitschakelt, de stroomtoevoer ontkoppelt en contact opneemt met de dealer of een aangewezen reparatiewerkplaats.
 - Het netsnoer moet sowieso stevig worden geaard.
 - Dit apparaat mag niet worden gebruikt door kinderen jonger dan 8 jaar. Dit apparaat kan worden gebruikt door kinderen vanaf 8 jaar en door personen met verminderde lichamelijke, zintuiglijke of geestelijke vermogens of gebrek aan de benodigde ervaring en kennis indien ze onder toezicht staan of instructies krijgen over hoe het apparaat op een veilige manier kan worden gebruikt alsook de gevaren begrijpen die met het gebruik samenhangen. Kinderen mogen niet met het apparaat spelen. Houd het apparaat en het netsnoer buiten bereik van kinderen jonger dan 8 jaar. Laat reiniging en onderhoud niet door kinderen uitvoeren, tenzij ze ouder zijn dan 8 jaar en onder toezicht staan.
- Waarschuwing**
- Dompel het snoer, de stekker of het apparaat niet onder in water of andere vloeistoffen om elektrische schokken te voorkomen.
 - Het apparaat moet worden opgeslagen in een ruimte zonder voortdurend werkende ontstekingsbronnen (bijvoorbeeld: open vlammen, een werkend gasapparaat of een werkende elektrische verwarming).
 - Doorboor of verbrand het apparaat niet.
 - Houd er rekening mee dat koelmiddelen geurloos kunnen zijn.
 - Neem contact op met een geautoriseerde servicetechnicus voor reparatie- of onderhoudswerkzaamheden aan dit apparaat.
 - Trek niet aan het netsnoer en vervorm of wijzig het niet. Dompel het ook niet onder in water. Door aan het netsnoer te trekken of het verkeerd te gebruiken, kan het apparaat beschadigd raken en een elektrische schok worden veroorzaakt.
 - Het is verplicht de nationale gasvoorschriften in acht te nemen.
 - Zorg dat de ventilatieopeningen niet worden geblokkeerd.

- Mensen die werken aan een koelcircuit of zo'n circuit openen, moeten in het bezit zijn van een actueel, geldig certificaat van een door de branche geaccrediteerde beoordelingsautoriteit dat bevestigt dat ze bekwaam zijn in een veilige omgang met koelmiddelen conform een door de branche erkende beoordelingspecificatie.
- Reparatiwerkzaamheden mogen alleen worden uitgevoerd voor zover deze zijn aanbevolen door de fabrikant van de apparatuur. Onderhouds- en reparatiwerkzaamheden waarbij de hulp van ander geschoold personeel nodig is, moeten worden uitgevoerd onder toezicht van een of meer personen die bekwaam zijn in het gebruik van brandbare koelmiddelen.
- Stop het apparaat niet door het netsnoer uit het stopcontact te trekken terwijl het apparaat is ingeschakeld. De warmte die hierbij ontstaat, kan namelijk een elektrische schok of brand veroorzaken. De enige situaties waarin u dit wel mag doen, is als u vreemde geluiden hoort, een vreemde geur ruikt of er rook uit het apparaat komt.
- Ontkoppel het apparaat als er vreemde geluiden, geuren of rook ontstaan.



Opgelet

- Zorg ervoor dat het product de hele tijd geventileerd blijft en dat de inlaten en uitlaten van de ventilatie niet worden geblokkeerd.
- Bedien dit apparaat op een horizontaal oppervlak om waterlekkage te voorkomen.
- Bedien dit apparaat niet in een explosieve of corrosieve omgeving.
- Bedien dit apparaat in een omgeving van maximaal 35 graden Celcius.
- Wacht nadat het apparaat is uitgeschakeld minstens 3,5 minuten voordat u het apparaat opnieuw opstart. Dit om te voorkomen dat de compressor beschadigd raakt.
- Om een stroomuitval te voorkomen, raden we u aan om geen verlengsnoer te gebruiken voor dit apparaat.

Koelmiddel

Specifieke informatie over apparaten met R290-koelgas.


- Lees alle waarschuwingen zorgvuldig door.
- Bij het ontdoeien en reinigen van het apparaat mogen alleen de hulpmiddelen worden gebruikt die door het productiebedrijf worden aangeraden.
- Het apparaat moet worden neergezet in een ruimte zonder voortdurend werkende ontstekingsbronnen (bijvoorbeeld: open vlammen, gas of werkende elektrische apparaten).
- Doorboren of verbranden is niet toegestaan.
- Dit apparaat bevat Y g (zie het typeplaatje aan de achterkant van het apparaat) R290-koelgas.
- R290 is een koelgas dat voldoet aan de Europese milieurechtlijnen. Doorboor geen enkel deel van het koelcircuit.
- Als het apparaat wordt geïnstalleerd, gebruikt of opgeslagen in een niet-geventileerde ruimte, moet de ruimte zijn ontworpen om de ophoping van koelmiddel in geval van lekkages te voorkomen. Koelmiddellekkages kunnen de kans op brand of explosies vergroten doordat

elektrische verwarmingen, fornuizen of andere ontstekingsbronnen ervoor zorgen dat het koelmiddel ontbrandt.

- Het apparaat moet dusdanig worden opgeslagen dat mechanische storingen worden voorkomen.
- Mensen die werken aan het koelcircuit of het bedienen, moeten in het bezit te zijn van de juiste certificering, die is verleend door een geaccrediteerde organisatie en die garandeert dat ze vaardig zijn in de omgang met koelmiddelen in overeenstemming met een specifieke evaluatie die wordt erkend door brancheverenigingen.
- Reparaties moeten worden uitgevoerd op basis van de aanbevelingen van het productiebedrijf. Onderhouds- en reparatiewerkzaamheden waarbij de hulp van ander geschoold personeel is vereist, moeten worden uitgevoerd onder het toezicht van degene die kundig is in het gebruik van brandbare koelmiddelen.

(CE) N 842/2006: Dit apparaat bevat het koelmiddel R290. De hoeveelheid koelmiddel bedraagt minder dan 1 kg en het koelmiddel bevindt zich in een gesloten koelcircuit. Het koelmiddel draagt niet bij aan ozonafbraak, maar is volgens het Kyoto-protocol wel een

broeikasgas en kan daardoor bijdragen aan de opwarming van de aarde wanneer het in de atmosfeer terecht komt. Daarom mogen vul- en leegwerkzaamheden alleen worden uitgevoerd door gekwalificeerde technici met een koelcertificaat. Het apparaat hoeft niet opnieuw met koelmiddel te worden gevuld als het correct wordt gebruikt en het koelcircuit onbeschadigd is. GWP (aardopwarmingsvermogen): R290: 3

-  **WAARSCHUWING:** Om oververhitting te voorkomen, raden we u aan om het apparaat niet te bedekken.

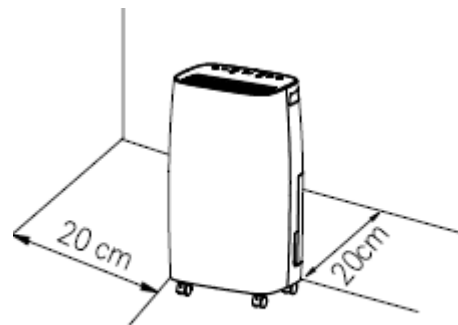
ONDERDELEN OMSCHRIJVING

1. Bedieningspaneel
2. Luchttuitlaatroosters
3. Filterafdekking
4. LuchtfILTER
5. Afvoertank
6. Waterafvoer
7. Afvoerslang

VOOR HET EERSTE GEBRUIK

- Leg het apparaat in de juiste verticale positie voordat u het uitpakt.
- Haal het apparaat en de accessoires uit de doos. Verwijder de stickers, de beschermfolie of het plastic van het apparaat.

- Veeg voor het eerste gebruik van het apparaat alle afneembare onderdelen af met een vochtige doek. Gebruik nooit schurende producten.
- Zorg ervoor dat het apparaat niet tegen voorwerpen wordt geplaatst die de luchtinlaat blokkeren, zoals meubilair of gordijnen, omdat dit de prestaties aanzienlijk beïnvloedt.
- Plaats of bedien het apparaat niet in een krappe ruimte.
- Plaats het apparaat niet in de volle zon, omdat het door oververhitting kan worden uitgeschakeld en de kleur van het apparaat snel kan vervagen.
- Er moet een afstand van minimaal 20 mm worden bewaard tussen het apparaat en eventuele andere obstakels.

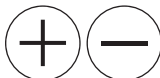


- Sluit het netsnoer aan op het stopcontact. (Let op: Zorg er voor het aansluiten van het apparaat voor dat het op het apparaat aangegeven voltage overeenkomt met de plaatselijke netspanning. Voltage 220V-240V 50Hz).

HET BEDIENINGSPANEEL GEBRUIKEN



- **Vermogen** - Eén keer aanraken om het apparaat aan te zetten, nogmaals aanraken om het apparaat op stand-by te zetten.
- **Stroomindicator** – Licht op wanneer het apparaat op het elektriciteitsnet is aangesloten.



- **Plus en minus** – Raak de + of - pictogrammen aan om de tijd te verlengen of te verkorten tussen 01-24 uur of om de luchtvochtigheidsgraad in te stellen tussen 40% en 80% met intervallen van 5%.



- **Ventilatorsnelheid** - Raak aan om te wisselen tussen de HOGE en LAGE ventilatorsnelheid.
- **Ventilatorsnelheidsindicatoren** – Geeft de gekozen ventilatorsnelheid aan.



- **Luchtvochtigheid** – Raak aan om het luchtvochtigheidsniveau te veranderen en gebruik dan de + en - pictogrammen om het luchtvochtigheidsniveau te verhogen of te verlagen tussen 40% en 80% met intervallen van 5%.

Na een periode in bedrijf te zijn geweest in een omgeving waar de luchtvochtigheidsgraad 2 % lager is dan de gekozen luchtvochtigheidsgraad, zal de compressor stoppen, waarna de ventilator nog 3 minuten zal blijven draaien voordat hij stopt. Wanneer de luchtvochtigheid van de omgeving gelijk is aan of 2% hoger is dan de gekozen luchtvochtigheid, zal de compressor na 3 minuten opnieuw starten.



Display met luchtvochtigheid en timer - Wanneer het apparaat wordt aangezet, geeft het de huidige luchtvochtigheidsgraad in de kamer aan. Wanneer de luchtvochtigheidsgraad is afgesteld, knippert de gekozen luchtvochtigheid even op het display, daarna wordt de huidige luchtvochtigheidsgraad getoond. Wanneer de luchtvochtigheidsgraad in de kamer lager is dan 35%, zal het "35" tonen. Wanneer de luchtvochtigheidsgraad in de kamer hoger is dan 95%, zal het "95" tonen. Bij het instellen van de timer knippert de timer even op het display en wordt dan een paar seconden getoond, waarna het display weer de huidige luchtvochtigheidsgraad weergeeft.



- **Timer** - om een geprogrammeerde tijd in te stellen waarop het apparaat moet inschakelen of op stand-by moet staan.
- **Timer-indicator** – Licht op wanneer de timer geactiveerd is.

De timer kan ingesteld worden tussen 01-24 uur.

- Om de tijd in te stellen waarop het apparaat moet inschakelen, terwijl het stand-by staat, raakt u het timer-pictogram aan, de timer-indicator gaat branden, vervolgens gebruikt u de pictogrammen + en - om de tijd in te stellen. De tijd op het display knippert gedurende 5 seconden en stopt dan. De tijdsindicator blijft branden totdat het apparaat wordt ingeschakeld.
- Om de tijd in te stellen waarop het apparaat moet uitschakelen, terwijl het in bedrijf is, raakt u het timer-pictogram aan, de timer-indicator gaat branden, vervolgens gebruikt u de pictogrammen + en - om de tijd in te stellen. De tijd op het display knippert 5 seconden lang, waarna het terugschakelt naar de huidige kamertemperatuur. De tijdsindicator blijft branden totdat het apparaat wordt uitgeschakeld.
- Om de programmering van de timer te annuleren drukt u tweemaal op het pictogram van de timer; de timer-indicator dooft en de timer is niet meer actief.

Let op: De geprogrammeerde tijd blijft ongewijzigd als de machine stopt met werken vanwege een volle tank of tijdens het ontdoeien.



- **Kinderslot** - Houd het pictogram van het kinderslot 5 seconden lang ingedrukt om het kinderslot te activeren. Als het geactiveerd is, zullen alle andere functies niet werken. Om het kinderslot uit te schakelen, raakt u het pictogram van het kinderslot opnieuw 5 seconden lang aan.
- **Kinderslotindicator** – Licht op wanneer het kinderslot geactiveerd is.
- **WATER VOL indicator** – Wanneer de afvoertank vol is, zal de indicator Water Vol gaan branden, het apparaat zal stoppen met werken en 15 keer piepen om de gebruiker te waarschuwen dat het water uit de afvoertank geleegd moet worden > volg de stappen in deze handleiding voor "De afvoertank legen".

GEBRUIK

- Steek de stekker van het apparaat in een geaard stopcontact. Het apparaat geeft één pieptoon, de aan/uit-indicator gaat branden.
- Raak het aan/uit-pictogram aan om het apparaat in te schakelen. De ventilatoren beginnen te werken en de huidige luchtvochtigheidsgraad wordt op het display aangegeven.
- Indien gewenst kunt u de stappen volgen onder - "Gebruik van het bedieningspaneel" om de timer in te stellen, of om de ventilatorsnelheid of de luchtvochtigheidsgraad aan te passen.
- Tik nogmaals op het aan/uit-pictogram om het apparaat op stand-by te zetten.
- Trek de stekker uit het stopcontact als het apparaat niet gebruikt wordt.

Werking bij lage temperatuur met automatische ontdooiing

Wanneer het apparaat werkt in een kamer met temp. tussen 5°C en 12°C zal het om de 30 minuten automatisch stoppen om te ontdooien. Wanneer het apparaat werkt in een kamer met temp. tussen 12°C en 20°C zal het om de 45 minuten stoppen om te ontdooien.

CONTINUE WATERAFVOER

Het toestel is voorzien van een continue afvoerpoort.

- Open de tank en bevestig een uiteinde van de bijgeleverde slang aan de waterafvoer in de afvoertank en laat het opgevangen water continu weglopen.



DE AFVOERTANK LEGEN

Wanneer de afvoertank vol is, zal de indicator Water Vol oplichten, de werking zal automatisch stoppen en de zoemer zal 15 maal piepen om de gebruiker te waarschuwen dat het water uit de afvoertank geleegd moet worden.

- Druk met beide handen licht op de zijkanten van de tank en trek de tank er voorzichtig uit.
- Verwijder de afvoertank en leeg hem.

Als de afvoertank vuil is, was hem dan met koud of lauw water.

Gebruik geen reinigingsmiddel, schuursponsjes, chemisch behandelde stofdoeken, benzine, benzeen, thinner, of andere oplosmiddelen. Deze kunnen krassen op de tank maken en hem beschadigen, en waterlekage veroorzaken.

- Plaats de afvoertank terug in het apparaat. Wanneer u de afvoertank terugplaatst, drukt u de tank met beide handen stevig op zijn plaats. Als de tank niet correct geplaatst is, zal de "WATER VOL" sensor geactiveerd blijven, en zal het apparaat niet werken.



Let op: Verwijder de vlotter niet uit de watertank. Zonder de vlotter zal de waterstandsensoren het waterpeil niet meer juist kunnen detecteren en kan er water uit de watertank lekken.



SCHOONMAAKONDERHOUD

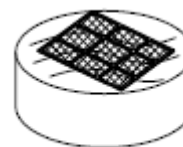
- Ontkoppel het apparaat van het stopcontact voordat u met schoonmaken begint.
- Maak het oppervlak eerst schoon met een neutraal schoonmaakmiddel en een natte doek en vervolgens met een droge doek.
- Gebruik geen benzine of andere chemicaliën om het apparaat schoon te maken.

HET FILTER REINIGEN

- Haal de stekker uit het stopcontact voordat u het apparaat schoonmaakt.
- Open het filterdeksel en haal het filter eruit.



- Zuig het filter voorzichtig schoon om vuil te verwijderen. Als het filter uitzonderlijk vuil is, was het dan met warm water en een mild schoonmaakmiddel en droog het grondig af.



- Plaats het filter weer in het filterdeksel en bevestig het weer op het apparaat.

PROBLEMEN OPLOSSEN

Probleem	Mogelijke oorzaken	Voorgestelde oplossing
----------	--------------------	------------------------

Het apparaat werkt niet.	Is de stroomkabel goed aangesloten?	Steek de stekker in het stopcontact.
	De Water Vol-indicator brandt (watertank vol of niet correct geplaatst).	Laat het water in de tank weglopen
	De kamertemperatuur is boven de 35 graden of onder de 7 graden.	De beveiligingsinrichting is actief en het apparaat kan niet worden gestart.
	Is het kinderslot ingeschakeld?	Als het kinderslot is ingeschakeld, ontgrendelt u deze door de kinderslotknop 5 seconden lang aan te raken.
De ontvochtigingsfunctie kan niet starten.	Is het filter verstopt?	Reinig het filter volgens de reinigingsvoorschriften.
	Is de luchtinlaat of -uitlaat geblokkeerd?	Verwijder de obstructie van de luchtinlaat of -uitlaat.
Het apparaat maakt lawaai.	Is de machine gekanteld?	Zet het apparaat op een vlakke, horizontale ondergrond.
	Is het filter verstopt?	Reinig het luchtfilter volgens de reinigingsvoorschriften.
Er wordt geen lucht afgevoerd	Is het filter verstopt?	Reinig het luchtfilter volgens de reinigingsvoorschriften.

OPSLAG

- Maak het waterreservoir leeg.
- Rol het netsnoer op.
- Maak het filter schoon.
- Bewaar het apparaat op een koele, droge plek.

CONFORMITEITSVERKLARING

Hierbij verklaart Tristar Europe dat het radiotoestel type voldoet aan de richtlijn 2014/53/EU

De volledige tekst van de EU-conformiteitsverklaring vindt u via het onderstaande internetadres: http://www.tristar.eu/tristar_group/download_center

HET PRODUCT OF APPARAAT BEVAT GEFLUOREERD BROEIKASGAS.

Art. nr. DH-5419

Koelvloeistof: R290

Hoeveelheid in kg: 45 g

Aardopwarmingspotentieel: 3

CO2-equivalent in ton: 0,000135

MILIEU



Het apparaat mag niet worden weggegooid met het huisvuil na beëindiging van de nuttige levensduur, maar moet worden ingeleverd op een centraal punt voor de recycling van elektrische en elektronische afval.

huishoudelijke apparaten. Dit symbool op het apparaat, in de instructiehandleiding en op de verpakking vestigt de aandacht op dit belangrijke punt. De materialen die in dit apparaat zijn gebruikt kunnen worden gerecycled. Door gebruikte huishoudelijke apparaten te recyclen, draagt u in belangrijke mate bij aan de bescherming van ons milieu. Vraag uw plaatselijke autoriteiten om inlichtingen over het inzamelpunt.

Support

U kunt alle beschikbare informatie en reserveonderdelen vinden op service.tristar.eu!

SÉCURITÉ

- Veuillez lire attentivement ce mode d'emploi pour veiller à une utilisation, un entretien et une installation appropriées.
- Si vous ignorez les consignes de sécurité, le fabricant ne peut être tenu pour responsable des dommages.
- L'appareil est uniquement conçu pour un usage intérieur.
- Ne pas utiliser l'appareil sur une prise de courant en réparation ou mal installée.
- Ne pas utiliser l'unité :
- A proximité d'un foyer potentiel d'incendie.
- dans une zone où l'huile est susceptible d'éclabousser.
- dans une zone exposée directement au soleil.
- dans une zone où l'eau est susceptible d'éclabousser.
- à proximité d'une baignoire, d'une douche ou d'une piscine.
- Ne jamais insérer les doigts ou d'autres objets dans la sortie d'air. Soyez particulièrement attentif à avertir les enfants de ces dangers.
- Maintenir l'appareil vers le haut pendant le transport et le stockage.
- Toujours couper l'alimentation ou déconnecter l'appareil avant de le nettoyer ou de le déplacer.
- Si le cordon d'alimentation est endommagé, il doit être remplacé par le fabricant, son réparateur ou des personnes qualifiées afin d'éviter tout risque.
- Ne déplacez jamais l'appareil en tirant sur le cordon et veillez à ce que celui-ci ne s'enroule pas.
- L'appareil doit être posé sur une surface stable et nivelée.
- Cet appareil est uniquement destiné à des utilisations domestiques et seulement dans le but pour lequel il est fabriqué.
- L'appareil doit être installé conformément aux réglementations nationales en matière de câblage.
- Remarques :
- Si une pièce quelconque est endommagée, contactez le distributeur ou un atelier de réparation agréé ;

- En cas de dommages, éteignez l'appareil, coupez l'alimentation électrique et contactez le distributeur ou un atelier de réparation agréé ;
 - Dans tous les cas, le cordon d'alimentation doit être solidement mis à la terre.
 - Cet appareil ne doit pas être utilisé par des enfants de moins de 8 ans. Cet appareil peut être utilisé par des enfants de 8 ans ou plus et des personnes présentant un handicap physique, sensoriel ou mental voire ne disposant pas des connaissances et de l'expérience nécessaires en cas de surveillance ou d'instructions sur l'usage de cet appareil en toute sécurité et de compréhension des risques impliqués. Les enfants ne doivent pas jouer avec l'appareil. Maintenez l'appareil et son cordon d'alimentation hors de portée des enfants de moins de 8 ans. Le nettoyage et la maintenance utilisateur ne doivent pas être confiés à des enfants sauf s'ils ont 8 ans ou plus et sont sous surveillance.
- Avertissement**
- Afin de vous éviter un choc électrique, n'immergez pas le cordon, la prise ou l'appareil dans de l'eau ou autre liquide.
 - L'appareil doit être entreposé dans un local sans source d'inflammation permanente (par exemple : flammes nues, appareil à gaz en fonctionnement ou chauffage électrique en fonctionnement).
 - Ne pas percer ou brûler.
 - Attention, les réfrigérants ne doivent contenir aucun parfum.
 - Contactez un technicien de service agréé pour la réparation ou la maintenance de cette unité.
 - Ne tirez pas sur le cordon d'alimentation, ne le déformez ou ne le modifiez pas, et ne l'immergez pas dans de l'eau. Tirer ou mal utiliser le cordon d'alimentation peut endommager l'appareil et provoquer une électrocution.
 - Attention à respecter la réglementation nationale relative au gaz.
 - Veillez à ce que les ouvertures de ventilation ne soient pas obstruées.
 - Toute personne travaillant sur un circuit frigorifique ou qui y pénètre doit être titulaire d'un certificat valide délivré par un organisme d'évaluation accrédité par le secteur l'autorisant à manipuler les

réfrigérants en toute sécurité conformément à une de ses normes d'évaluation reconnues.

- L'entretien ne doit être effectué que selon les recommandations du fabricant de l'équipement. L'entretien et les réparations nécessitant l'assistance d'un autre personnel qualifié doivent être effectués sous la supervision de la ou des personnes compétentes pour l'utilisation des réfrigérants inflammables.
- N'arrêtez pas l'appareil en insérant ou en retirant la fiche d'alimentation pendant qu'il fonctionne, cela pourrait provoquer un choc électrique ou un incendie sous l'effet de la chaleur, à moins d'entendre des bruits bizarres, de sentir une odeur inhabituelle ou de voir de la fumée sortir de l'appareil.
- Débranchez l'appareil s'il produit des sons bizarres, s'il dégage une odeur ou de la fumée.



Attention !

- Veillez à ce que le produit soit ventilé à tout moment, et à ce que la ventilation d'entrée et de sortie ne soit bloquée en aucune manière.
- Faites fonctionner cet appareil sur une surface horizontale pour éviter les fuites d'eau.
- Ne pas utiliser cet appareil dans une atmosphère explosive ou corrosive.
- Utilisez cet appareil dans une température ambiante de 35 °C au plus.
- Lorsque l'appareil est éteint, veuillez attendre au moins 3,5 minutes avant de le redémarrer. Ceci évitera d'endommager le compresseur.
- Pour éviter toute coupure d'électricité de la maison, n'utilisez pas de rallonge électrique pour cet appareil.

Réfrigérant

Informations spécifiques concernant les appareils avec un gaz réfrigérant R 290.

- Lisez attentivement tous les avertissements.
- Pour dégivrer et nettoyer l'appareil, n'utilisez pas d'autres outils que ceux recommandés par le fabricant.
- L'appareil doit être placé à un emplacement loin de toute source d'inflammation continue (flamme nue, gaz ou appareil électrique en fonctionnement par exemple).
- Ne pas percer, ni brûler.
- Cet appareil contient Y g (voir la plaque signalétique au dos de l'appareil) de gaz réfrigérant R290.
- Le gaz R290 est un gaz réfrigérant conforme aux directives européennes sur l'environnement. Ne percer aucun élément du circuit de réfrigération.
- Si l'appareil est installé, utilisé ou entreposé dans un endroit non ventilé, le local doit être conçu de façon à prévenir l'accumulation de fuites de réfrigérant qui pourraient entraîner un risque d'incendie ou d'explosion en raison de l'inflammation du réfrigérant par des appareils de chauffage électriques, des poêles ou d'autres sources d'inflammation.
- L'appareil doit être entreposé de manière à éviter toute défaillance mécanique.
- Toute personne actionnant ou travaillant sur le circuit de réfrigération doit disposer de la certification appropriée émise par une organisation accréditée veillant à sa compétence quant à la manipulation de réfrigérants conformément à une évaluation spécifique agréée par des associations du secteur.
- Les réparations doivent être effectuées sur la base des recommandations du fabricant. L'entretien et les réparations nécessitant l'assistance d'un autre personnel qualifié doivent être effectués sous la supervision de la personne compétente pour l'utilisation des réfrigérants inflammables.

(CE) N 842/2006 : Cet appareil contient du réfrigérant R290. Ce réfrigérant pèse moins de 1 kg et se trouve dans un circuit de refroidissement fermé. Le liquide de refroidissement n'a aucun potentiel d'appauvrissement de la couche d'ozone, mais il s'agit d'un gaz à effet de serre au sens du protocole de Kyoto et peut donc contribuer au réchauffement planétaire, s'il est rejeté dans l'atmosphère. C'est pourquoi seuls des techniciens qualifiés disposant d'un certificat de réfrigérant peuvent effectuer un

remplissage ou une vidange. Votre appareil n'a pas besoin d'être rempli de réfrigérant s'il est utilisé correctement et si son circuit de refroidissement n'est pas endommagé. PRP : R290 : 3

-  **AVERTISSEMENT** : pour éviter toute surchauffe, ne couvrez pas le chauffage.

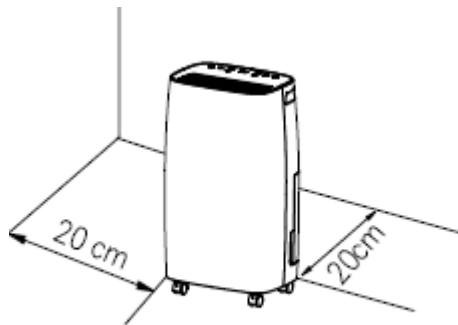
DESCRIPTION DES PIÈCES

1. Panneau de commande
2. Grilles de sortie d'air
3. Couvercle du filtre
4. Filtre à air
5. Réservoir d'évacuation
6. Evacuation de l'eau
7. Tuyau de vidange

AVANT LA PREMIÈRE UTILISATION

- Placez l'appareil en position verticale appropriée avant de le déballer.
- Sortez l'appareil et les accessoires hors de la boîte. Retirez les autocollants, le film protecteur ou le plastique de l'appareil.
- Avant la première utilisation de votre appareil, essuyez toutes les pièces amovibles avec un chiffon humide. N'utilisez jamais de produits abrasifs.

- Veuillez vous assurer que l'appareil n'est pas placé contre des objets qui pourraient obstruer l'entrée d'air, par exemple des meubles ou des rideaux, car cela affecterait considérablement ses performances.
- Attention à ne pas le placer ou l'utiliser dans un endroit étroit.
- Ne placez pas l'appareil en plein soleil car il pourrait s'éteindre en raison d'une surchauffe et ses couleurs risquent de s'estomper.
- Une distance minimale de 20 mm doit être respectée entre l'appareil et le mur ou tout autre obstacle.

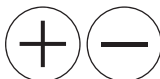


- Branchez le cordon d'alimentation à la prise. (Remarque : Veillez à ce que la tension indiquée sur l'appareil corresponde à celle du secteur local avant de connecter l'appareil. Tension 220V-240V 50Hz).

UTILISATION DU PANNEAU DE COMMANDE



- **Puissance** - Touchez une fois pour mettre l'appareil en marche, touchez à nouveau pour mettre l'appareil en veille.
- **Indicateur de puissance** - S'allume lorsque l'appareil est branché.



- **Plus et Moins** - Appuyez sur les icônes + ou - pour augmenter ou diminuer le temps entre 01-24 heures ou pour régler le taux d'humidité entre 40% et 80% avec des intervalles de 5%.



- **Vitesse de ventilation** - Appuyez pour basculer entre les vitesses HIGH et LOW du ventilateur.
- **Voyants indicateurs de ventilation** - indique la vitesse de ventilation sélectionnée



- **Humidité** - Appuyez pour modifier le taux d'humidité puis utilisez les icônes + et - pour augmenter ou diminuer le taux d'humidité entre 40 % et 80 % avec des intervalles de 5 %.

Après avoir fonctionné pendant un certain temps dans un environnement où le taux d'humidité est inférieur de 2 % au taux d'humidité sélectionné, le compresseur s'arrête puis le ventilateur continue de fonctionner pendant 3 minutes avant de s'arrêter.

Lorsque l'humidité de l'environnement est égale ou supérieure de 2 % à l'humidité sélectionnée, le compresseur redémarre après 3 minutes.



Affichage de l'Humidité et de la Minuterie - Lorsque l'appareil est mis en marche, il affiche le taux d'humidité effectif de la pièce. Lorsque le taux d'humidité est adapté, l'humidité sélectionnée clignote brièvement à l'écran, puis le taux d'humidité effectif s'affiche. Lorsque le taux d'humidité de la pièce est inférieur à 35 %, il affiche "35". Lorsque le taux d'humidité de la pièce est supérieur à 95 %, il affiche "95".

Lors du réglage de la minuterie, celle-ci clignote brièvement à l'écran puis s'affiche pendant quelques secondes avant que l'écran ne revienne à l'affichage du taux d'humidité effectif.



- **Minuterie** - pour programmer une heure à laquelle l'appareil doit s'allumer ou se mettre en veille.
- **Indicateur de minuterie** - s'allume lorsque la minuterie est activée.

On peut régler la minuterie entre 01 et 24 heures.

- Pour régler l'heure de mise en marche de l'appareil, lorsque l'appareil est en veille, appuyez sur l'icône de la minuterie, l'indicateur de la minuterie s'allume, puis utilisez les icônes + et - pour régler l'heure. L'heure affichée clignote pendant 5 secondes puis s'arrête. L'indicateur de temps restera allumé jusqu'à la mise en marche de l'appareil.
- Pour régler l'heure de mise en veille de l'appareil, lorsque celui-ci est en marche, appuyez sur l'icône de la minuterie, l'indicateur de la minuterie s'allume, puis utilisez les icônes + et - pour régler l'heure. L'heure affichée clignote pendant 5 secondes avant de revenir à l'affichage de la température ambiante actuelle. L'indicateur de temps restera allumé jusqu'à la mise en veille de l'appareil.
- Pour annuler la programmation de la minuterie, appuyez deux fois sur l'icône de la minuterie, l'indicateur de la minuterie s'éteint et la minuterie n'est plus active.

Remarque :: la durée programmée reste inchangée si l'appareil s'arrête de fonctionner du fait d'un réservoir plein ou pendant le dégivrage.



- **Sécurité pour enfant** - Appuyez sur l'icône de sécurité pour enfant et maintenez-la enfoncée pendant 5 secondes afin d'activer cette fonction, sachant que celle-ci bloque toutes les autres. Pour désactiver le sécurité pour enfant, appuyez à nouveau sur l'icône de verrouillage enfant pendant 5 secondes.
- **Indicateur de sécurité pour enfant** - S'allume lorsque la sécurité enfant est activée.
- **NIVEAU D'EAU Détecteur** - Lorsque le réservoir de drainage est plein, le détecteur de niveau d'eau s'allume, l'appareil s'arrête de fonctionner et émet 15 bips afin d'avertir l'utilisateur que l'eau doit être vidée du réservoir de drainage > suivez les étapes de ce manuel pour « Vider le réservoir de drainage ».

UTILISATION

- Branchez l'appareil dans une prise de courant reliée à la terre. L'appareil émet un bip et l'indicateur d'alimentation s'allume.
- Appuyez sur l'icône d'alimentation pour allumer l'appareil, les ventilateurs commencent à fonctionner et le taux d'humidité actuel s'affiche sur l'écran.
- Si vous le souhaitez, vous pouvez suivre les étapes de la section « Utilisation du panneau de commande » pour régler la minuterie, la vitesse du ventilateur ou le taux d'humidité.
- Appuyez à nouveau sur l'icône d'alimentation pour mettre l'appareil en veille.

- Débranchez l'appareil si vous ne l'utilisez pas.

Fonctionnement à basse température avec dégivrage automatique

Lorsque l'appareil fonctionne dans une pièce présentant une temp. entre 5° C et 12° C, il s'arrête automatiquement toutes les 30 minutes pour dégivrer.

Lorsque l'appareil fonctionne dans une pièce présentant une temp. entre 12° C et 20° C, il s'arrête toutes les 45 minutes pour dégivrer.

ÉVACUATION CONTINUE DE L'EAU

L'appareil est équipé d'un orifice de drainage continu.

- Ouvrez le réservoir et attachez une extrémité du tuyau fourni à la sortie située à l'intérieur du réservoir de drainage et laissez l'eau collectée s'écouler en continu.



FR

VIDANGE DU RÉSERVOIR DE DRAINAGE

Lorsque le réservoir de drainage est entièrement rempli, le détecteur de niveau d'eau s'allume, le fonctionnement s'arrête automatiquement et le buzzer émet 15 bips pour avertir l'utilisateur que le réservoir de drainage doit être vidé.

- Appuyez légèrement sur les côtés du réservoir avec les deux mains et tirez doucement sur le réservoir.
- Retirez le réservoir de drainage et videz l'eau.

Si le réservoir de drainage est sale, lavez-le à l'eau froide ou tiède. N'utilisez pas de détergent, de tampons à récurer, de chiffons à poussière traités chimiquement, d'essence, de benzène, de diluant ou d'autres

solvants, ceux-ci pouvant rayer et endommager le réservoir et provoquer des fuites d'eau.

- Remplacez le réservoir de drainage dans l'appareil. Lorsque vous remplacez le réservoir de drainage, appuyez fermement sur le réservoir en place avec les deux mains. Si le réservoir n'est pas positionné correctement, le détecteur « WATER FULL » (niveau d'eau) s'activera et l'appareil ne fonctionnera pas.



Remarque : Ne retirez pas le flotteur du réservoir d'eau. Sans le flotteur, le détecteur de niveau d'eau ne sera plus en mesure de détecter correctement le niveau d'eau et une fuite d'eau pourrait se produire du réservoir d'eau.

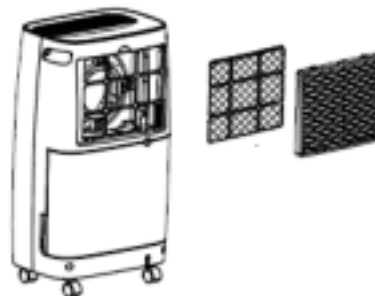


NETTOYAGE ET ENTRETIEN

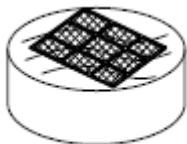
- Avant le nettoyage, débranchez l'appareil de toute prise électrique.
- Nettoyez d'abord la surface avec un détergent neutre et un chiffon humide, puis essuyez-la avec un chiffon sec.
- N'utilisez pas d'essence ou d'autres produits chimiques pour nettoyer l'appareil.

NETTOYAGE DU FILTRE

- Débranchez l'appareil avant de le nettoyer.
- Ouvrez le couvercle du filtre et retirez le filtre.



- Aspirez délicatement le filtre pour éliminer toute saleté. Si le filtre est exceptionnellement sale, lavez-le à l'eau chaude avec un produit nettoyant doux et séchez-le soigneusement.



- Remplacez le filtre sur son couvercle et fixez-le à nouveau sur l'appareil.

DÉPANNAGE

Problème	Causes possibles	Solution suggérée
----------	------------------	-------------------

L'appareil ne fonctionne pas.	La ligne électrique est-elle correctement branchée ?	Branchez la fiche dans la prise de courant.
	Le détecteur de niveau d'eau est allumé (réservoir d'eau rempli ou mal placé).	Videz l'eau du réservoir
	La température ambiante est supérieure à 35 degrés ou inférieure à 7 degrés.	Le dispositif de protection est activé et l'appareil ne peut pas être mis en marche.
	Sécurité pour enfant	Si la sécurité enfant est activée, déverrouillez-la en appuyant sur le bouton de sécurité enfant pendant 5 secondes.
La fonction de déshumidification ne peut pas démarrer.	Le filtre est-il obstrué ?	Nettoyez le filtre en suivant les instructions de nettoyage.
	L'entrée ou la sortie d'air est-elle obstruée ?	Retirez toute obstruction présente à l'entrée ou à la sortie d'air.

FR

L'appareil fait du bruit.	L'appareil est-il incliné ?	Déplacez l'appareil sur une surface plane et horizontale.
	Le filtre est-il obstrué ?	Nettoyez le filtre à air conformément aux instructions de nettoyage.
L'air ne s'échappe pas	Le filtre est-il obstrué ?	Nettoyez le filtre à air conformément aux instructions de nettoyage.

RANGEMENT

- Vider le réservoir de son eau.
- Enrouler le cordon d'alimentation.
- Nettoyer le filtre.
- Ranger l'appareil dans un lieu froid et sec.

DÉCLARATION DE CONFORMITÉ

Nous, Tristar Europe, déclarons que le type d'équipement radio est conforme à la Directive 2014/53/UE.

Le texte intégral de la déclaration de conformité UE est disponible à l'adresse Internet suivante : http://www.tristar.eu/tristar_group/download_center

LE PRODUIT OU L'ÉQUIPEMENT CONTIENT DES GAZ À EFFET DE SERRE FLUORÉS.

Art. n° DH-5419

Coolant: R290

Quantité en kg : 45 g

Potentiel de réchauffement global : 3

Équivalent CO2 en tonnes : 0,000135

ENVIRONNEMENT



Cet appareil ne doit pas être jeté dans les ordures ménagères à la fin de sa vie, mais doit être remis à un endroit centralisé de recyclage des appareils électriques et électroniques. Le symbole sur l'appareil, le mode d'emploi et l'emballage, attire votre attention sur ce point important. Les matériaux utilisés dans cet appareil peuvent être recyclés. En recyclant les appareils domestiques, vous contribuez de façon importante à la protection de notre environnement. Consultez les autorités locales pour obtenir des informations concernant le point de collecte.

Support

Vous pouvez trouver toutes les informations et pièces de rechange sur service.tristar.eu !

SICHERHEIT

- Lesen Sie diese Bedienungsanleitung bitte aufmerksam, um die ordnungsgemäße Benutzung, Instandhaltung und Installation sicherzustellen.
- Beim Ignorieren der Sicherheitshinweise kann der Hersteller nicht für Schäden haftbar gemacht werden.
- Das Gerät ist nur für die Benutzung im Innenbereich vorgesehen.
- Benutzen Sie das Gerät nicht an einer Steckdose, die reparaturbedürftig oder nicht korrekt installiert ist.
- Verwenden Sie das Gerät nicht:
 - in der Nähe einer Feuerquelle.
 - in einem Bereich, in dem Öl verspritzt werden kann.
 - in einem Bereich, der direktem Sonnenlicht ausgesetzt ist.
 - in einem Bereich, in dem Wasser verspritzt werden kann.
 - in der Nähe einer Badewanne, einer Dusche oder eines Schwimbeckens.
- Stecken Sie keinesfalls Ihre Finger oder Gegenstände in die Luftauslassöffnung. Weisen Sie insbesondere Kinder auf solche Gefahren hin.
- Transportieren und lagern Sie das Gerät aufrecht.
- Schalten Sie stets die Spannungsversorgung aus oder trennen Sie das Netzteil ab, bevor Sie das Gerät reinigen.
- Ist das Netzkabel beschädigt, muss es vom Hersteller, dem Kundendienst oder ähnlich qualifizierten Personen ersetzt werden, um Gefahren zu vermeiden.
- Bewegen Sie das Gerät niemals durch Ziehen am Kabel, und stellen Sie sicher, dass sich das Kabel nicht verwickeln kann.
- Das Gerät muss auf einer ebenen, stabilen Fläche platziert werden.
- Dieses Gerät darf nur für den Haushaltsgebrauch und nur für den Zweck benutzt werden, für den es hergestellt wurde.
- Das Gerät muss entsprechend den jeweils geltenden Verdrahtungsvorschriften installiert werden.
- Hinweise:

- Sollten Teile beschädigt sein, wenden Sie sich bitte an den Händler oder einen autorisierten Reparaturbetrieb.
- Bei Schäden schalten Sie das Gerät bitte aus, trennen das Netzkabel ab, und wenden sich an den Händler oder einen autorisierten Reparaturbetrieb.
- In jedem Fall muss das Netzkabel ordnungsgemäß geerdet sein.
- Dieses Gerät darf nicht von Kindern unter 8 Jahren verwendet werden. Dieses Gerät darf von Kindern ab 8 Jahren und von Personen mit eingeschränkten körperlichen, sensorischen oder geistigen Fähigkeiten oder einem Mangel an Erfahrung und Kenntnissen verwendet werden, sofern diese Personen beaufsichtigt oder über den sicheren Gebrauch des Geräts unterrichtet wurden und die damit verbundenen Gefahren verstanden haben. Kinder dürfen mit dem Gerät nicht spielen. Halten Sie das Gerät und sein Anschlusskabel außerhalb der Reichweite von Kindern unter 8 Jahren. Reinigungs- und Wartungsarbeiten dürfen nicht von Kindern vorgenommen werden, es sei denn, sie sind älter als 8 und werden beaufsichtigt.

Warnung

- Tauchen Sie das Kabel, den Stecker oder das Gerät nicht in Wasser oder andere Flüssigkeiten, um einen elektrischen Schlag zu vermeiden.
- Das Gerät ist in einem Raum ohne kontinuierlich arbeitende Zündquellen zu lagern (z. B. offene Flammen, ein aktives Gasgerät oder eine aktive Elektroheizung).
- Nicht durchbohren oder verbrennen.
- Beachten Sie, dass Kältemittel geruchlos sein können.
- Wenden Sie sich zwecks Reparatur oder Instandhaltung dieses Geräts an einen autorisierten Servicetechniker.
- Das Netzkabel darf weder gezogen, verformt oder verändert noch in Wasser getaucht werden. Falls am Netzkabel gezogen oder es unsachgemäß benutzt wird, kann dies zu Schäden am Gerät und zu einem Stromschlag führen.
- Die Einhaltung der jeweils geltenden Gasverordnungen ist zu beachten.
- Achten Sie darauf, dass die Lüftungsöffnungen stets frei durchlässig sind.

- Personen, die Arbeiten an einem Kühlkreislauf durchführen oder einen Kühlkreislauf öffnen, müssen eine gültige Bescheinigung von einer anerkannten Prüfstelle haben, die ihre Eignung bestätigt, Kältemittel sicher und im Einklang mit einer anerkannten Beurteilungsspezifikation zu handhaben.
- Die Wartung darf nur entsprechend der Empfehlung des Geräteherstellers durchgeführt werden. Wartungs- und Reparaturarbeiten, die eine Unterstützung durch weiteres Fachpersonal erfordern, sind unter der Aufsicht einer Person durchzuführen, die im Umgang mit entflammbareren Kältemitteln sachkundig ist.
- Solange das Gerät keine merkwürdigen Geräusche, Gerüche oder Rauch abgibt, darf es keinesfalls in oder außer Betrieb genommen werden, indem der Netzstecker angeschlossen oder abgetrennt wird, weil dies zu einem Stromschlag oder durch Hitzeerzeugung verursachten Brand führen kann.

- Trennen Sie das Gerät von der Spannungsversorgung ab, falls es merkwürdige Geräusche, Gerüche oder Rauch absondert.

**Vorsicht**

- Achten Sie bitte darauf, dass das Gerät fortwährend ventiliert, und stellen Sie sicher, dass die Lüftungsein- und -auslässe in keiner Weise blockiert sind.
- Betreiben Sie dieses Gerät auf einer horizontalen Fläche, um einen Wasseraustritt zu vermeiden.
- Betreiben Sie dieses Gerät nicht in einer explosionsgefährlichen oder korrosiven Atmosphäre.
- Betreiben Sie dieses Gerät bei einer Umgebungstemperatur von 35 °C oder darunter.


- Nachdem das Gerät ausgeschaltet wurde, warten Sie bitte mindestens 3,5 Minuten, bevor Sie es erneut einschalten. So verhindern Sie, dass der Kompressor Schaden nimmt.
- Um einen Stromausfall im Haushalt zu vermeiden, benutzen Sie bitte keine Verlängerungskabel für dieses Gerät.

Kältemittel

Spezielle Informationen für Geräte mit dem Kältemittelgas R 290.

- Lesen Sie aufmerksam alle Warnhinweise.
 - Verwenden Sie außer den vom Hersteller empfohlenen keine Werkzeuge, um das Gerät zu enteisen und zu reinigen.
 - Das Gerät ist in einem Bereich ohne kontinuierlich arbeitende Zündquellen aufzustellen (z. B. offene Flammen, aktive Gas- oder Elektrogeräte).
 - Nicht durchbohren oder verbrennen.
 - Dieses Gerät enthält Y g (siehe Typenschild auf der Geräterückseite) an R290 Kältemittelgas.
 - R290 ist ein Kältemittelgas, das die EU-Umweltschutzrichtlinien erfüllt. Beschädigen Sie keinesfalls den Kältemittelkreis.
- Falls das Gerät in einem nicht belüfteten Bereich installiert, betrieben oder gelagert wird, muss der Raum so konzipiert sein, dass sich austretendes Kältemittel nicht ansammeln kann und eine Brand- oder Explosionsgefahr darstellt, weil es durch Elektroheizungen, Elektroöfen oder andere Zündquellen entzündet werden könnte.
 - Das Gerät muss so gelagert werden, dass mechanische Defekte vermieden werden.
 - Personen, die am Kühlkreislauf arbeiten oder ihn bedienen, benötigen die entsprechende, von einer zugelassenen Stelle ausgestellte Zertifizierung, die den fachgerechten Umgang mit Kältemitteln gemäß einer von Branchenverbänden anerkannten speziellen Bewertung sicherstellt.
 - Reparaturen sind basierend auf den Empfehlungen der Herstellerfirma durchzuführen. Wartungs- und Reparaturarbeiten, bei der Unterstützung durch weiteres Fachpersonal bedürfen, sind unter der Aufsicht einer im Umgang mit entflammaren Kältemitteln fachkundigen Person durchzuführen.

(CE) N 842/2006: Dieses Gerät enthält das Kältemittel R290. Das Kältemittel hat ein Volumen von weniger als 1 kg und befindet sich in einem geschlossenen Kühlkreislauf. Das Kältemittel hat zwar kein Ozonzerstörungspotenzial, gehört aber gemäß Kyoto-Protokoll zu den so genannten Treibhausgasen und kann daher zur globalen Erwärmung beitragen, wenn es an die Atmosphäre freigegeben wird. Daher dürfen nur geschulte Techniker mit einer entsprechenden Bescheinigung das Kältemittel auffüllen oder entleeren. Bei ordnungsgemäßer Benutzung und intaktem Kühlmittelkreislauf braucht das Gerät nicht nachgefüllt zu werden. GWP: R290: 3

-  **WARNUNG:** Decken Sie das Gerät nicht ab, um eine Überhitzung zu vermeiden.

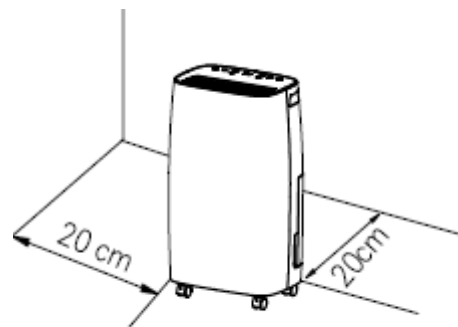
BESCHREIBUNG DER TEILE

1. Bedienfeld
2. Luftauslassgitter
3. Filterabdeckung
4. Luftfilter
5. Abwassertank
6. Wasserauslass
7. Abwasserschlauch

VOR DER ERSTEN INBETRIEBNAHME

- Stellen Sie das Gerät vor dem Auspacken aufrecht hin.

- Nehmen Sie das Gerät und das Zubehör aus der Verpackung. Entfernen Sie sämtliche Aufkleber, Schutzfolien und Transportsicherungen vom Gerät.
- Wischen Sie vor der ersten Inbetriebnahme des Geräts alle abnehmbaren Teile mit einem feuchten Tuch ab. Verwenden Sie niemals Scheuermittel.
- Achten Sie bitte darauf, das Gerät so aufzustellen, dass der Lufteinlass nicht durch Möbel oder Vorhänge blockiert wird, weil dies die Leistungsfähigkeit erheblich beeinträchtigt.
- Das Gerät sollte nicht auf engem Raum aufgestellt oder betrieben werden.
- Setzen Sie das Gerät keiner direkten Sonneneinstrahlung aus, weil es sich wegen Überhitzung abschalten und die Farbe verbleichen könnte.
- Zwischen Gerät und Wand oder sonstigen Gegenständen ist ein Abstand von mindestens 20 cm einzuhalten.

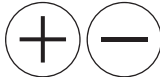


- Stecken Sie den Stecker des Netzkabels in die Steckdose. (Hinweis: Stellen Sie vor dem Anschließen des Geräts sicher, dass die auf dem Gerät angegebene Netzspannung mit der örtlichen Spannung übereinstimmt. Spannung 220V-240V 50Hz).

VERWENDUNG DES BEDIENFELDS



- **Betrieb** - Berühren Sie einmal, um das Gerät einzuschalten, berühren Sie erneut, um das Gerät in den Standby-Modus zu schalten.
- **Betriebsanzeige** - Leuchtet auf, wenn das Gerät eingesteckt ist.



- **Plus und Minus** - Berühren Sie die Symbole + oder -, um die Zeit zwischen 01-24 Stunden zu erhöhen oder zu verringern oder um die Luftfeuchtigkeit zwischen 40 % und 80 % in 5%-Schritten einzustellen.



- **Lüftergeschwindigkeit** - Berühren Sie dieses Symbol, um zwischen den Lüftergeschwindigkeiten HOCH und NIEDRIG zu wechseln.

- **Lüftergeschwindigkeitsanzeigen** - Zeigt die ausgewählte Lüftergeschwindigkeit an.



- **Luftfeuchtigkeit** - Berühren das Symbol, um das Luftfeuchtigkeitsniveau zu ändern und die Symbole + oder -, um das Luftfeuchtigkeitsniveau zwischen 40 % und 80 % in 5%-Schritten zu erhöhen oder zu verringern.

Nach einer gewissen Betriebszeit in einer Umgebung, in der die Luftfeuchtigkeit 2 % unter der eingestellten Luftfeuchtigkeit liegt, schaltet sich der Kompressor ab und der Lüfter läuft noch 3 Minuten weiter, bevor er sich abschaltet. Wenn die Luftfeuchtigkeit der Umgebung gleich oder um 2 % höher ist als die gewählte Luftfeuchtigkeit, wird der Kompressor nach 3 Minuten wieder gestartet.



Display Luftfeuchtigkeit und Timer - Wenn das Gerät eingeschaltet wird, zeigt es das aktuelle Luftfeuchtigkeitsniveau im Raum an. Wenn das Luftfeuchtigkeitsniveau eingestellt wird, blinkt die gewählte Luftfeuchtigkeit kurz auf dem Display, dann wird das aktuelle Luftfeuchtigkeitsniveau angezeigt.

Wenn das Luftfeuchtigkeitsniveau im Raum niedriger als 35 % ist, wird „35“ angezeigt. Wenn das Luftfeuchtigkeitsniveau im Raum höher als 95% ist, wird „95“ angezeigt.

Wenn Sie den Timer einstellen, blinkt der Timer auf dem Display kurz auf und wird dann einige Sekunden lang angezeigt, bevor das Display wieder zur aktuellen Luftfeuchtigkeit zurückkehrt.



- **Timer** - zum Einstellen einer bestimmten Zeit, zu der sich das Gerät einschalten oder in den Standby-Modus schalten soll.
- **Timer-Anzeige** - Leuchtet auf, wenn der Timer aktiviert ist. Der Timer kann zwischen 01-24 Stunden eingestellt werden.
- Um die Zeit für das Einschalten des Geräts einzustellen, berühren Sie im Standby-Modus das Timer-Symbol, die Timer-Anzeige leuchtet auf und Sie können die Zeit mit den Symbolen + und - einstellen. Die Zeit auf dem Display blinkt 5 Sekunden lang und bleibt dann stehen. Der Timer leuchtet so lange, bis sich das Gerät einschaltet.
- Um die Zeit für das Ausschalten des Geräts einzustellen, berühren Sie im Betrieb das Timer-Symbol, die Timer-Anzeige leuchtet auf und Sie können die Zeit mit den Symbolen + und - einstellen. Die Zeit auf dem Display blinkt 5 Sekunden lang, bevor sie wieder die aktuelle Raumtemperatur anzeigt. Der Timer leuchtet so lange, bis sich das Gerät ausschaltet.
- Um die Timer-Programmierung abzubrechen, berühren Sie das Timer-Symbol zweimal, die Timer-Anzeige erlischt und der Timer ist dann nicht mehr aktiv.

Beachten Sie: Die programmierte Zeit bleibt unverändert, wenn das Gerät wegen eines vollen Tanks oder während des Abtauens den Betrieb einstellt.



- **Kindersicherung** - Halten Sie das Symbol für die Kindersicherung 5 Sekunden lang gedrückt, um die Kindersicherung zu aktivieren. Alle anderen Funktionen sind bei Aktivierung der Kindersicherung nicht möglich; um diese zu deaktivieren, berühren Sie das Symbol für die Kindersicherung erneut 5 Sekunden lang.
- **Kindersicherungsanzeige** - Leuchtet auf, wenn die Kindersicherung aktiviert ist.
- **Anzeige WASSER VOLL** - Wenn der Abwassertank voll ist, leuchtet die Anzeige „Wasser voll“ auf, das Gerät stellt den Betrieb ein und ertönt 15 Mal, um den Benutzer darauf hinzuweisen, dass das Wasser aus dem Abwassertank entleert werden muss > befolgen Sie die Schritte in dieser Anleitung zum „Entleeren des Abwassertanks“.

VERWENDUNG

- Schließen Sie das Gerät an eine geerdete Steckdose an. Das Gerät gibt einen Signalton ab und die Betriebsanzeige leuchtet auf.

- Berühren Sie das Betriebssymbol, um das Gerät einzuschalten. Die Lüfter beginnen zu arbeiten und die aktuelle Luftfeuchtigkeit wird auf dem Display angezeigt.
- Falls gewünscht, können Sie die Schritte unter „Verwendung des Bedienfelds“ befolgen, um den Timer einzustellen, die Lüftergeschwindigkeit oder das Luftfeuchtigkeitsniveau anzupassen.
- Berühren Sie das Betriebssymbol erneut, um das Gerät in den Standby-Modus zu schalten.
- Trennen Sie das Gerät vom Stromnetz, wenn es nicht benutzt wird.

Niedertemperaturbetrieb mit automatischer Abtaung

Wenn das Gerät in einem Raum mit einer Temperatur zwischen 5 °C und 12 °C betrieben wird, schaltet es sich automatisch alle 30 Minuten ab, um abzutauen.

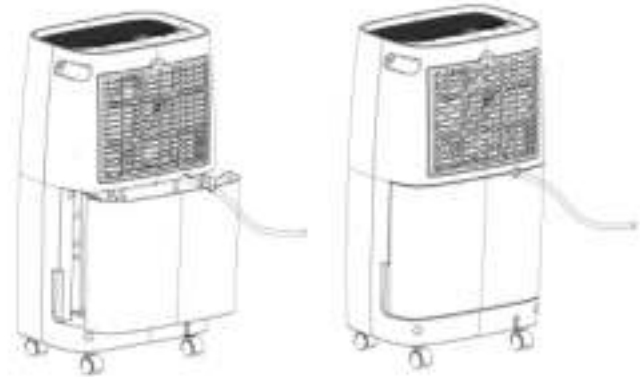
Wenn das Gerät in einem Raum mit einer Temperatur zwischen 12 °C und

20 °C betrieben wird, schaltet es sich alle 45 Minuten ab, um abzutauen.

KONTINUIERLICHER WASSERABFLUSS

Das Gerät verfügt über einen Anschluss für den kontinuierlichen Wasserabfluss.

- Öffnen Sie den Tank und schließen Sie ein Ende des mitgelieferten Schlauchs an den Wasserauslass im Abwassertank an und lassen Sie das gesammelte Wasser kontinuierlich ablaufen.



ENTLEEREN DES ABWSSERTANKS

- Wenn der Abwassertank voll ist, leuchtet die Anzeige „Wasser voll“ auf, der Betrieb wird automatisch eingestellt und der Summer ertönt 15 Mal, um den Benutzer darauf hinzuweisen, dass das Wasser aus dem Abwassertank entleert werden muss.

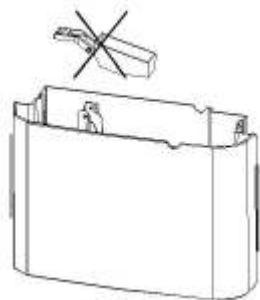
- Drücken Sie leicht mit beiden Händen auf die Seiten des Tanks und ziehen Sie ihn vorsichtig heraus.
- Entfernen Sie den Abwassertank und entleeren Sie das Wasser. Wenn der Abwassertank verschmutzt ist, waschen Sie ihn mit kaltem oder lauwarmem Wasser aus. Verwenden Sie keine Reinigungsmittel, Scheuerschwämme, chemisch behandelte Staubtücher, Benzin, Benzol, Verdüner oder andere

Lösungsmittel, da diese den Tank zerkratzen und beschädigen und Wasserlecks verursachen können.

- Setzen Sie den Abwassertank wieder in das Gerät ein. Drücken Sie den Tank beim Wiedereinsetzen mit beiden Händen fest ein. Wenn der Tank nicht richtig sitzt, wird der Sensor „WASSER VOLL“ aktiviert, und das Gerät funktioniert nicht.



Beachten Sie: Entfernen Sie den Schwimmer nicht aus dem Wassertank. Ohne den Schwimmer kann der Sensor „Wasser voll“ den Wasserstand nicht mehr richtig erkennen und es kann Wasser aus dem Wassertank austreten.



REINIGUNG UND INSTANDHALTUNG

- Achten Sie vor dem Reinigen darauf, das Gerät von der Spannungsversorgung abzutrennen.
- Reinigen Sie zunächst die Oberfläche mit einem neutralen Reinigungsmittel und einem feuchten Tuch und wischen Sie sie dann mit einem trockenen Tuch ab.
- Verwenden Sie kein Benzin oder andere Chemikalien, um das Gerät zu reinigen.

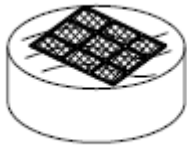
REINIGUNG DES FILTERS

- Trennen Sie das Gerät vor der Reinigung vom Stromnetz.
- Öffnen Sie die Filterabdeckung und entnehmen Sie den Filter.



DE

- Saugen Sie den Filter vorsichtig ab, um den Schmutz zu entfernen. Wenn der Filter besonders stark verschmutzt ist, waschen Sie ihn mit warmem Wasser und einem milden Reinigungsmittel und trocknen Sie ihn gründlich ab.



- Setzen Sie den Filter wieder auf die Filterabdeckung und befestigen Sie sie wieder am Gerät.

STÖRUNGSBESEITIGUNG

Problem	Mögliche Ursachen	Vorgeschlagene Lösung
---------	-------------------	-----------------------

Das Gerät funktioniert nicht.	Ist die Stromleitung richtig angeschlossen?	Verbinden Sie den Stecker mit der Steckdose.
	Die Kontrollleuchte „Wasser voll“ leuchtet (Wassertank voll oder nicht an der richtigen Stelle).	Lassen Sie das Wasser im Tank ab.
	Die Raumtemperatur liegt über 35 Grad oder unter 7 Grad.	Die Schutzvorrichtung ist aktiv und das Gerät kann nicht gestartet werden.
	Ist die Kindersicherung aktiviert?	Wenn die Kindersicherung aktiviert ist, entriegeln Sie sie, indem Sie die Taste der Kindersicherung 5 Sekunden lang gedrückt halten.
Die Entfeuchtungsfunktion kann nicht gestartet werden.	Ist der Filter verstopft?	Reinigen Sie den Filter gemäß der Reinigungsanleitung.
	Ist der Lufteinlass oder -auslass verstopft?	Entfernen Sie das Hindernis am Lufteinlass oder -auslass.

Das Gerät erzeugt Geräusche.	Ist das Gerät gekippt?	Stellen Sie das Gerät auf eine ebene, horizontale Fläche.
	Ist der Filter verstopft?	Reinigen Sie den Luftfilter gemäß der Reinigungsanleitung.
Es wird keine Luft ausgestoßen.	Ist der Filter verstopft?	Reinigen Sie den Luftfilter gemäß der Reinigungsanleitung.

LAGERUNG

- Leeren Sie den Wassertank.
- Wickeln Sie das Netzkabel auf.
- Reinigen Sie den Filter.
- Lagern Sie das Gerät an einem kühlen und trockenen Ort.

KONFORMITÄTSERKLÄRUNG

Hiermit erklärt Tristar Europe, dass das Funkgerät vom Typ der Richtlinie 2014/53/EU entspricht

Der volle Text der EU-Konformitätserklärung ist unter folgender Internetadresse abrufbar: http://www.tristar.eu/tristar_group/download_center

DAS GERÄT ENTHÄLT EIN FLUORIERTES TREIBHAUSGAS.

Art. Nr. DH-5419
Kühlmittel: R290

Menge in kg: 45 g
Erderwärmungspotenzial: 3
CO₂-Äquivalent in Tonnen: 0,000135

UMWELT



Dieses Gerät darf am Ende seiner Lebenszeit nicht im Hausmüll entsorgt werden, sondern muss an einer Sammelstelle für das Recyceln von elektrischen und elektronischen Haushaltsgeräten abgegeben werden. Das Symbol auf dem Gerät, in der Bedienungsanleitung und auf der Verpackung macht Sie auf dieses wichtige Thema aufmerksam. Die in diesem Gerät verwendeten Materialien können recycelt werden. Durch das Recyceln gebrauchter Haushaltsgeräte leisten Sie einen wichtigen Beitrag zum Umweltschutz. Fragen Sie Ihre örtliche Behörde nach Informationen über eine Sammelstelle.

Support

Sämtliche Informationen und Ersatzteile finden Sie unter service.tristar.eu!

SEGURIDAD

- Lea detenidamente este manual del usuario y asegúrese de utilizar, mantener e instalar el aparato correctamente.
- Si ignora las instrucciones de seguridad, eximirá al fabricante de toda responsabilidad por posibles daños.
- El aparato es adecuado sólo para uso interior.
- No utilice la unidad en una toma que se esté reparando o que no esté correctamente instalada.
- No utilice el aparato:
 - cerca de una fuente de fuego.
 - en una zona en la que puedan producirse salpicaduras de aceite.
 - en una zona expuesta a la luz directa del sol.
 - en una zona en la que puedan producirse salpicaduras de agua.
 - cerca de un baño, una ducha o una piscina.
- No introduzca los dedos ni ningún otro objeto en la salida de aire. Preste especial atención a advertir a los niños de estos peligros.
- Transporte y almacene la unidad en posición vertical.
- Antes de limpiar o transportar la unidad, apáguela o desconecte siempre la fuente de alimentación.
- Si el cable de alimentación está dañado, corresponde al fabricante, al representante o a una persona de cualificación similar su reemplazo para evitar peligros.
- Nunca mueva el aparato tirando del cable y asegúrese de que no se pueda enredar con el cable.
- El aparato debe colocarse sobre una superficie estable y nivelada.
- Este aparato se debe utilizar únicamente para el uso doméstico y sólo para las funciones para las que se ha diseñado.
- El aparato debe instalarse de acuerdo con las normativas nacionales de cableado.
- Notas:
 - Si alguna de las piezas sufre daños, póngase en contacto con el distribuidor o con un establecimiento designado para llevar a cabo reparaciones.

- En caso de daño, apague la unidad, desconecte la fuente de alimentación y póngase en contacto con el distribuidor o con un establecimiento designado para llevar a cabo reparaciones.
 - En cualquier caso, la conexión a tierra del cable de alimentación debe ser segura.
 - Este aparato no debe ser utilizado por niños menores de 8 años. Este aparato puede ser utilizado por niños a partir de los 8 años y por personas con capacidades físicas, sensoriales o mentales reducidas, o que no tengan experiencia ni conocimientos, sin son supervisados o instruidos en el uso del aparato de forma segura y entienden los riesgos implicados. Los niños no pueden jugar con el aparato. Mantenga el aparato y el cable fuera del alcance de los niños menores de 8 años. Los niños no podrán realizar la limpieza ni el mantenimiento reservado al usuario a menos que tengan más de 8 años y cuenten con supervisión.
- Advertencia**
- Para protegerse contra una descarga eléctrica, no sumerja el cable, el enchufe ni el aparato en el agua o cualquier otro líquido.
 - El aparato debe almacenarse en una habitación en la que no haya focos de ignición en funcionamiento continuo (por ejemplo, llamas abiertas o un aparato de gas o calefactor eléctrico en funcionamiento).
 - No perforo ni queme el aparato.
 - Tenga en cuenta que los refrigerantes pueden emitir olores.
 - Póngase en contacto con un técnico de servicio autorizado para llevar a cabo las tareas de reparación o mantenimiento de esta unidad.
 - No estire del cable de alimentación, ni lo deforme, modifique o sumerja en agua. Si estira del cable de alimentación o no lo utiliza de manera adecuada, la unidad podría sufrir daños y podría producirse una descarga eléctrica.
 - Debe cumplir con las normativas nacionales relativas al gas.
 - Mantenga libres de obstrucciones las ranuras de ventilación.
 - Toda persona que manipule o abra un circuito de refrigerante debe contar con un certificado válido actualizado de un organismo de evaluación autorizado del

sector en el que se reconozca su competencia para manipular refrigerantes con seguridad de acuerdo con las especificaciones de evaluación reconocidas del sector.

- Las tareas de mantenimiento solo deben llevarse a cabo siguiendo las recomendaciones del fabricante del equipo. Las tareas de mantenimiento y reparación que requieran la ayuda de personal cualificado deben llevarse a cabo bajo la supervisión de las personas capacitadas en el uso de refrigerantes inflamables.
- No retire el enchufe eléctrico para detener la unidad mientras esté en funcionamiento, ya que la generación de calor podría provocar una descarga eléctrica o un incendio a menos que se escuchen sonidos extraños, o la unidad desprenda un olor inusual o humo.
- Desenchufe la unidad si emite un sonido, olor o humo extraños.



Precaución

- Asegúrese de que el producto está ventilado en todo momento; asegúrese de que las ventilaciones de entrada y salida no estén bloqueadas.
- Utilice la unidad sobre una superficie horizontal para evitar las fugas de agua.
- No utilice la unidad en una atmósfera explosiva o corrosiva.
- Utilice la unidad en un ambiente con una temperatura máxima de 35 grados.
- Cuando apague la unidad, espere al menos 3,5 minutos antes de reiniciarla. Hágalo para evitar que el compresor sufra daños.
- Para evitar un bloqueo eléctrico en el hogar, no utilice cables alargadores con esta unidad.


Refrigerante

Información específica sobre aparatos con gas refrigerante R290.

- Lea detenidamente todas las advertencias.

- Cuando descongele y limpie el aparato, no utilice herramientas distintas a las recomendadas por la empresa fabricante.
- El aparato debe colocarse en un lugar sin focos de ignición continuos (por ejemplo, llamas abiertas o un aparato de gas o calefactor eléctrico en funcionamiento).
- No lo perforo ni lo queme.
- Este aparato contiene Y g (véase la etiqueta de características de la parte posterior de la unidad) de gas refrigerante R290.
- El R290 es un gas refrigerante que cumple con las directivas europeas sobre medio ambiente. No perforo ninguna parte del circuito de refrigerante.
- Si el aparato se instala, se utiliza o se almacena en una zona no ventilada, el diseño de la habitación debe evitar la acumulación de fugas de refrigerante que supongan un riesgo de incendio o explosión si el refrigerante se incendia debido a calefactores eléctricos, estufas u otros focos de ignición.
- El aparato se debe almacenar de modo que se eviten los fallos mecánicos.
- Las personas que manipulen o intervengan en el circuito de refrigerante deben contar con la certificación correspondiente emitida por un organismo autorizado que garantice su competencia para manipular refrigerantes de acuerdo con la evaluación específica reconocida del sector.
- Las reparaciones se deben realizar siguiendo las recomendaciones de la empresa fabricante. Las tareas de mantenimiento y reparación que requieran la ayuda de personal cualificado se llevarán a cabo bajo la supervisión de una persona capacitada en el uso de refrigerantes inflamables.

(CE) N 842/2006: Esta unidad contiene refrigerante R290. Incluye menos de 1 kg de refrigerante en un circuito de refrigeración cerrado. El potencial de agotamiento de la capa de ozono del refrigerante es nulo, pero según el Protocolo de Kioto es un gas de efecto invernadero y, por lo tanto, contribuye al calentamiento global si se emite a la atmósfera. Por eso, únicamente los técnicos capacitados que dispongan del certificado sobre el refrigerante correspondiente pueden rellenar o vaciar la unidad. Si utiliza correctamente el aparato y el circuito de refrigerante no está dañado, no es necesario rellenarlo con refrigerante. PCG: R290: 3

-  **ADVERTENCIA:** Para evitar sobrecalentamientos, no cubra el calentador.

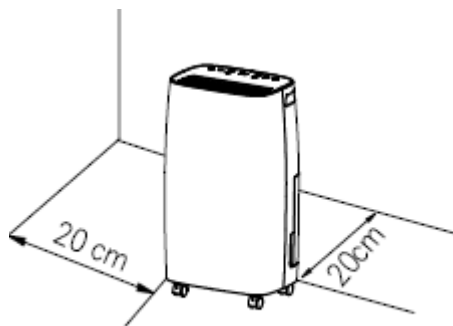
DESCRIPCIÓN DE LAS PIEZAS

1. Panel de control
2. Rejillas de salida de aire
3. Tapa del filtro
4. Filtro de aire
5. Depósito de drenaje
6. Salida de agua
7. Tubo de drenaje

ANTES DEL PRIMER USO

- Coloque la unidad en la posición vertical adecuada antes de desembalarla.
- Saque el aparato y los accesorios de la caja. Quite los adhesivos, la lámina protectora o el plástico del dispositivo.
- Antes de utilizar el aparato por primera vez, pase un paño húmedo por todas las piezas desmontables. Nunca utilice productos abrasivos.
- Asegúrese de no colocarla pegada a objetos que puedan obstruir la entrada de aire (por ejemplo, muebles o cortinas), ya que su rendimiento se vería considerablemente afectado.
- No coloque ni ponga en funcionamiento la unidad en un lugar estrecho.

- No coloque la unidad en un lugar con exposición directa al sol: podría apagarse debido al sobrecalentamiento y su color se desteñiría rápido.
- Debe dejar una distancia mínima de 20 cm entre la unidad y la pared o cualquier otro obstáculo.

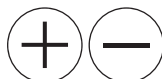


- Conecte el cable de alimentación a la toma de corriente. (Nota: Asegúrese de que la tensión que se indica en el dispositivo coincida con la tensión local antes de conectarlo. Tensión 220V-240V 50Hz).

USO DEL PANEL DE CONTROL



- **Encendido** - Toque una vez para encender el aparato y toque de nuevo para cambiar el aparato al modo de espera.
- **Indicador de encendido** - Se ilumina cuando el aparato está enchufado.



- **Más (+) y menos (-)**: Toque los iconos + o - para aumentar o disminuir la hora entre 01 y 24 horas o para ajustar el nivel de humedad entre 40 % y 80 % con intervalos de 5 %.



- **Velocidad del ventilador** - Toque para cambiar entre las velocidades ALTA y BAJA del ventilador.
- **Indicadores de velocidad del ventilador** - Indica la velocidad del ventilador seleccionada.



- **Humedad** - Toque para cambiar el nivel de humedad y luego, utilice los iconos + y - para aumentar o disminuir el nivel de humedad entre 40 % y 80 % con intervalos de 5 %.

Cuando el aparato haya funcionado durante un tiempo en un entorno en el que el nivel de humedad sea un 2 % inferior al nivel de humedad seleccionada, el compresor se detendrá y el ventilador

seguirá funcionando durante 3 minutos antes de detenerse. Cuando la humedad del ambiente sea igual o superior a la seleccionada en un 2 %, el compresor volverá a funcionar transcurridos 3 minutos.



Pantalla de visualización de la humedad y del temporizador:

Cuando el aparato está encendido, la pantalla muestra el nivel actual de humedad en la estancia. Al ajustar el nivel de humedad, el valor seleccionado parpadeará brevemente en la pantalla y, a continuación, se mostrará el nivel de humedad actual.

Cuando el nivel de humedad en la estancia sea inferior al 35 %, mostrará "35". Cuando el nivel de humedad en la estancia sea superior al 95 %, mostrará "95".

Al programar el temporizador, este parpadeará brevemente en la pantalla y después, aparecerá durante unos segundos antes de que la pantalla vuelva a mostrar el nivel de humedad actual.



- **Temporizador**: permite programar la hora de puesta en marcha o en espera del aparato.
- **Indicador del temporizador** - Se ilumina cuando se activa el temporizador.

ES

El temporizador se puede ajustar en un valor comprendido entre 01 y 24 horas.

- Para ajustar la hora de encendido del aparato, mientras este está en modo de espera, toque el icono del temporizador. El indicador del temporizador se iluminará y podrá utilizar los iconos + y - para programar la hora. La hora parpadeará en la pantalla durante 5 segundos y luego se detendrá. El indicador de la hora permanecerá iluminado hasta que el aparato se encienda.
- Para ajustar la hora de apagado del aparato, mientras este está en funcionamiento, toque el icono del temporizador. El indicador del temporizador se iluminará y podrá utilizar los iconos + y - para programar la hora. La hora parpadeará en la pantalla durante 5 segundos antes de volver a mostrar la temperatura ambiente actual. El indicador de la hora permanecerá iluminado hasta que el aparato se apague.
- Para cancelar la programación del temporizador toque dos veces el icono del temporizador, el indicador del temporizador se apagará y el temporizador dejará de estar activo.

Nota: la hora programada no se modificará si el aparato deja de funcionar como consecuencia de un depósito lleno o durante la descongelación.



- **Bloqueo de seguridad para niños** - Mantenga presionado el icono de Child Lock (Bloqueo de seguridad para niños) durante 5 segundos para activar la función Bloqueo de seguridad para

niños. Cuando esta función esté activada, el resto de funciones dejarán de estar operativas. Para desactivarla, toque de nuevo su icono durante 5 segundos.

- **Indicador de Child Lock (Bloqueo de seguridad para niños)** – Se ilumina cuando la función Bloqueo de seguridad para niños está activada.
- **Indicador de WATER FULL (Depósito lleno)** – Cuando el depósito de drenaje esté lleno, se iluminará el indicador de Water Full (Depósito lleno), el aparato dejará de funcionar y emitirá 15 pitidos para avisar al usuario de que debe vaciar el agua del depósito de drenaje > siga los pasos de la sección "Vaciado del depósito de drenaje" de este manual.

USO

- Conecte el aparato a un enchufe con toma de tierra. El aparato emitirá un pitido una vez, el indicador de encendido se iluminará.
- Toque el icono de encendido para encender el aparato, los ventiladores comenzarán a funcionar y el nivel de humedad actual se mostrará en la pantalla.
- Si lo desea, puede seguir los pasos que se indican en "Uso del panel de control" para configurar el temporizador, ajustar la velocidad del ventilador o el nivel de humedad.
- Toque de nuevo el icono de encendido para poner el aparato en modo de espera.
- Desenchufe el aparato cuando no esté en uso.

Funcionamiento a baja temperatura con descongelación automática

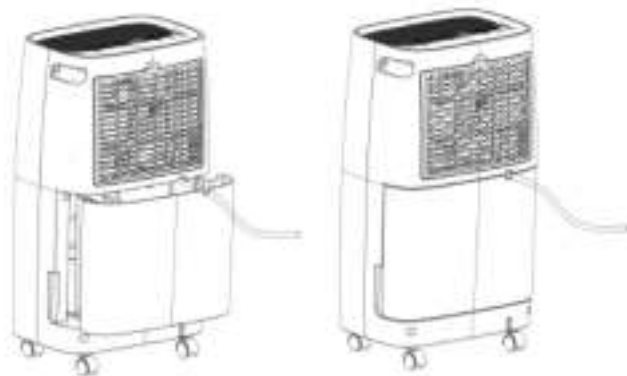
Cuando el aparato está funcionando en una estancia con una temperatura entre 5 °C y 12 °C, este se detendrá automáticamente cada 30 minutos para descongelar.

Cuando el aparato está funcionando en una estancia con una temperatura entre 12 °C y 20 °C, este se detendrá cada 45 minutos para descongelar.

DRENAJE CONTINUO DE AGUA

El aparato cuenta con un puerto de drenaje continuo.

- Abra el depósito y conecte un extremo del tubo suministrado a la salida de agua ubicada en el interior del depósito de drenaje y deje que el agua recogida se drene de forma continuada.



VACIADO DEL DEPÓSITO DE DRENAJE

Cuando el depósito de drenaje esté lleno, el indicador de Water Full (Depósito lleno) se iluminará, el aparato se detendrá automáticamente y la señal acústica emitirá 15 pitidos para avisar al usuario de que es necesario vaciar el agua del depósito de drenaje.

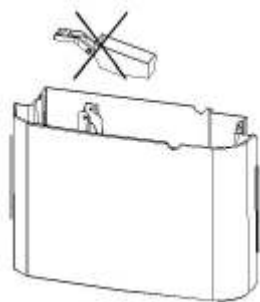
- Presione ligeramente los laterales del depósito con las dos manos y extraiga el depósito con cuidado.
- Retire el depósito de drenaje y vacíe el agua.

Si el tanque de drenaje está sucio, lávelo con agua fría o tibia. No utilice detergente, estropajos, paños para el polvo con tratamiento químico, gasolina, benceno, diluyente u otros disolventes, ya que pueden rayar y dañar el depósito y provocar fugas de agua.

- Vuelva a colocar el depósito de drenaje en el aparato. Al sustituir el depósito de drenaje, presione el depósito firmemente en su lugar con ambas manos. Si el depósito no está colocado correctamente, se activará el sensor de "WATER FULL" (Depósito lleno) y el aparato no funcionará.



Nota: no retire el flotador del depósito de agua. El sensor de depósito lleno ya no podrá detectar correctamente el nivel de agua sin el flotador y podría producirse una fuga de agua del depósito de agua.



LIMPIEZA Y MANTENIMIENTO

- Antes de limpiar la unidad, asegúrese de desconectarla de la toma de suministro eléctrico.
- En primer lugar, limpie la superficie con un detergente neutro y un paño húmedo y, a continuación, límpiela con un paño seco.
- No utilice gasolina ni ningún otro producto químico para limpiar la unidad.

LIMPIEZA DEL FILTRO

- Desenchufe el aparato antes de limpiarlo.
- Abra la tapa del filtro y retire el filtro.



- Aspire el filtro con cuidado para eliminar la suciedad. Si el filtro está muy sucio, lávelo con agua tibia y un limpiador suave, y séquelo bien.



- Vuelva a colocar el filtro en la tapa del filtro y fíjelo de nuevo en el aparato.

SOLUCIÓN DE PROBLEMAS

Problema	Posibles causas	Solución recomendada
----------	-----------------	----------------------

El aparato no funciona.	¿Está bien conectado a la red eléctrica?	Conecte el enchufe a la toma de corriente.
	El indicador luminoso de Water Full (Depósito lleno) se enciende (el depósito de agua está lleno o no está en su sitio).	Vacíe el agua del depósito
	La temperatura ambiente es superior a 35 grados o inferior a 7 grados.	El dispositivo de protección está activo y el aparato no puede ponerse en marcha.
	¿Está activado el bloqueo de seguridad para niños?	Si el bloqueo de seguridad para niños está activado, desbloquélo manteniendo presionado el botón de bloqueo para niños durante 5 segundos.
La función de deshumidificación no puede iniciarse.	¿Está bloqueado el filtro?	Limpie el filtro de acuerdo con las instrucciones de limpieza.
	¿Está bloqueada la entrada o salida de aire?	Retire la obstrucción de la entrada o salida de aire.

El aparato hace ruido.	¿Está inclinado el aparato?	Coloque el aparato en una superficie plana y horizontal.
	¿Está bloqueado el filtro?	Limpie el filtro de aire de acuerdo con las instrucciones de limpieza.
No se expulsa aire	¿Está bloqueado el filtro?	Limpie el filtro de aire de acuerdo con las instrucciones de limpieza.

ALMACENAMIENTO

- Vacíe el agua del depósito.
- Enrolle el cable de alimentación.
- Limpie el filtro.
- Almacene la unidad en un lugar fresco y seco.

DECLARACIÓN DE CONFORMIDAD

Por la presente, Tristar Europe declara que el equipo de radio modelo es conforme con la Directiva 2014/53/UE
El texto completo de la Declaración de conformidad europea se encuentra disponible en la siguiente dirección de Internet: http://www.tristar.eu/tristar_group/download_center

EL PRODUCTO O EQUIPO CONTIENE GAS FLUORADO DE EFECTO INVERNADERO.

Núm. art. DH-5419

Refrigerante: R290

Cantidad en kg: 45 g

Potencial de calentamiento global: 3

Equivalente de CO2 en toneladas: 0,000135

MEDIO AMBIENTE



Una vez finalizada la durabilidad de este equipo, no debe desecharse junto con la basura doméstica; debe llevarse a un punto central de reciclaje de equipos domésticos eléctricos y electrónicos. Este símbolo del equipo, el manual de instrucciones y el embalaje captan su atención acerca de la importancia de este asunto. Los materiales utilizados en este equipo son reciclables. Al reciclar equipos domésticos usados, contribuye enormemente a la protección del medio ambiente. Pida información sobre los puntos de recogida a sus entidades locales.

Soporte

¡Puede encontrar toda la información y recambios en service.tristar.eu!

SEGURANÇA

- Leia este manual de utilização com atenção para garantir a devida utilização, manutenção e instalação.
- O fabricante não pode ser responsabilizado por quaisquer danos se ignorar as instruções de segurança.
- O aparelho destina-se apenas a utilização no interior.
- Não utilize a unidade numa tomada sob reparação ou que não esteja corretamente instalada.
- Não utilize a unidade:
 - perto de uma fonte de incêndio.
 - numa área onde o petróleo é suscetível de salpicar.
 - numa área exposta à luz solar direta.
 - numa área onde a água é suscetível de salpicar.
 - perto de um banho, de um chuveiro ou de uma piscina.
- Nunca introduza os dedos ou qualquer objeto na saída de ar. Tenha o especial cuidado de avisar as crianças destes perigos.
- Mantenha a unidade virada para cima durante o transporte e armazenamento.
- Antes de limpar ou deslocar a unidade, desligue sempre a alimentação de energia.
- Se o cabo de alimentação estiver danificado, deve ser substituído pelo fabricante, o seu representante de assistência técnica ou alguém com qualificações semelhantes para evitar perigos.
- Nunca desloque o aparelho puxando pelo cabo e certifique-se de que este nunca fica preso.
- O aparelho deve ser colocado numa superfície plana e estável.
- Este aparelho destina-se apenas a utilização doméstica e para os fins para os quais foi concebido.
- O aparelho deve ser instalado de acordo com os regulamentos nacionais para instalações elétricas.
- Notas:
 - Contacte o revendedor ou uma loja de reparações designada se alguma das peças estiver danificada;

- Em caso de danos, desligue a unidade, desligue a alimentação de energia e contacte o revendedor ou uma loja de reparações designada.
 - Em qualquer caso, o cabo de alimentação deve estar bem ligado à terra.
 - Este aparelho não deve ser utilizado por crianças com idades compreendidas entre menos de 8 anos. Este aparelho pode ser utilizado por crianças com mais de 8 anos e por pessoas com capacidades físicas, sensoriais ou mentais reduzidas, assim como com falta de experiência e conhecimentos, caso sejam supervisionadas ou instruídas sobre como utilizar o aparelho de modo seguro e compreendam os riscos envolvidos. As crianças não devem brincar com o aparelho. Mantenha o aparelho e respetivo cabo fora do alcance de crianças com idade inferior a 8 anos. A limpeza e manutenção não devem ser realizadas por crianças a não ser que tenham mais de 8 anos e sejam supervisionadas.
- Aviso**
- Para se proteger contra choques elétricos, não mergulhe o cabo, a ficha nem o aparelho em água ou qualquer outro líquido.
 - O aparelho deve ser guardado num espaço sem fontes de ignição contínua (por exemplo: chamas vivas, aparelho a gás ligado ou aquecedor elétrico ligado).
 - Não fure nem queime.
 - Tenha em atenção que os refrigerantes podem não ter odor.
 - Contacte um técnico de assistência autorizado para reparação ou manutenção desta unidade.
 - Não puxe, deforme ou modifique o cabo de alimentação nem o mergulhe em água. Puxar ou manipular indevidamente o cabo de alimentação pode resultar em danos na unidade e provocar choque elétrico.
 - Deve cumprir a legislação nacional em matéria de gás.
 - Mantenha os orifícios de ventilação desobstruídos.
 - Qualquer pessoa envolvida em trabalhos ou na abertura de um circuito de refrigeração deve possuir um certificado válido emitido por uma entidade de avaliação competente, acreditada pela indústria, que ateste a sua competência para manusear refrigerantes com segurança, de acordo com os critérios de avaliação reconhecidos pelo setor.

- A assistência técnica deve ser executada unicamente conforme recomendado pelo fabricante do equipamento. A manutenção e reparação que requerem a assistência de outro pessoal qualificado devem ser efetuadas sob a supervisão de uma pessoa ou pessoas competente(s) na utilização de refrigerantes inflamáveis.
 - Não pare a unidade puxando a ficha de alimentação durante o funcionamento, pois pode provocar um choque elétrico ou incêndio devido ao calor gerado, a não ser que escute ruídos estranhos, sinta um cheiro estranho ou verifique a saída de fumo da unidade.
 - Desligue a ficha da corrente se a unidade emitir sons estranhos, odores ou fumo.
- Certifique-se de que o produto está sempre a ventilar e que a entrada e saída de ar não apresentam qualquer tipo de bloqueio.
 - Opere esta unidade sobre uma superfície horizontal para evitar a fuga de água.
 - Não opere esta unidade em ambiente potencialmente explosivo ou corrosivo.
 - Opere esta unidade num ambiente com uma temperatura máxima de 35 graus Centígrados.
 - Se desligar a unidade, aguarde pelo menos 3,5 minutos antes de a reiniciar. Isto evita danos no compressor.
 - Para evitar desligar o quadro elétrico, não use extensões com esta unidade.

Refrigerante

Informação específica relativa a aparelhos com gás refrigerante R 290.

- Leia com atenção todos os avisos.
- Quando descongelar e limpar o aparelho, não use quaisquer ferramentas que não tenham sido recomendadas pela empresa fabricante.
- O aparelho deve ser colocado numa área sem quaisquer fontes de ignição contínua (por exemplo: chamas vivas, aparelho a gás ligado ou aparelho elétrico ligado).



Atenção

PT

- Não fure nem queime.
- Este aparelho contém Y g (ver etiqueta com classificação na traseira da unidade) de gás refrigerante R290.
- O R290 é um gás refrigerante que cumpre as diretivas europeias sobre o ambiente. Não fure qualquer parte do circuito de refrigeração.
- Se o aparelho for instalado, colocado a funcionar ou armazenado numa área não ventilada, o espaço deve ter condições para evitar a acumulação de fugas de refrigerante que podem resultar num risco de incêndio ou explosão devido à ignição do refrigerante causada por aquecedores elétricos, fogões ou outras fontes de ignição.
- O aparelho deve ser armazenado de forma a evitar uma falha mecânica.
- Os indivíduos que operam ou trabalham no circuito de refrigeração devem ter uma certificação adequada, emitida por uma organização acreditada que garanta a respetiva competência no manuseio de refrigerantes, de acordo com uma avaliação específica, reconhecida por associações do setor.

- Eventuais reparações devem ser efetuadas com base na recomendação da empresa fabricante. A manutenção e reparação que requerem a assistência de outro pessoal qualificado devem ser efetuadas sob a supervisão de uma pessoa competente na utilização de refrigerantes inflamáveis.

(CE) N 842/2006: Esta unidade contém o refrigerante R290. A quantidade de refrigerante é inferior a 1kg e encontra-se num circuito de refrigeração fechado. O refrigerante tem zero potencial de destruição da camada de ozono, mas é um dos chamados gases com efeito de estufa, segundo o Protocolo de Quioto, pelo que pode contribuir para o aquecimento global se for libertado para a atmosfera. Neste sentido, o enchimento o esvaziamento do circuito deve ser efetuado unicamente por técnicos qualificados. O seu aparelho não tem de ser reabastecido com refrigerante se utilizado corretamente e possui um circuito de refrigeração intacto. GWP: R290: 3



- **AVISO:** Para evitar o sobreaquecimento, não cubra o aquecedor.

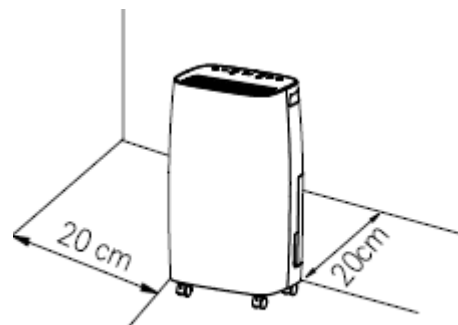
DESCRIÇÃO DAS PEÇAS

1. Painel de controlo
2. Loures de saída de ar
3. Cobertura filtrante

4. Filtro de ar
5. Tanque de drenagem
6. Saída de água
7. Mangueira para drenagem

ANTES DA PRIMEIRA UTILIZAÇÃO

- Coloque a unidade na posição vertical correta antes de a desembalar.
- Retire o aparelho e os acessórios da caixa. Retire os autocolantes, a película ou plástico de proteção do aparelho.
- Antes de utilizar o aparelho pela primeira vez, limpe todas as peças amovíveis com um pano húmido. Nunca utilize produtos abrasivos.
- Não encoste a unidade a objetos que obstruam a entrada de ar, como mobiliário ou cortinas, pois podem prejudicar drasticamente o desempenho.
- Não coloque ou opere a unidade num local estreito.
- Não coloque a unidade sob radiação solar direta, pois pode desligar-se devido a sobreaquecimento e a cor da unidade pode desbotar.
- Mantenha uma distância mínima de 20 cm entre a unidade e a parede ou qualquer outro obstáculo.



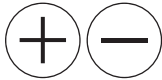
- Ligue o cabo de alimentação à tomada. (Nota: Antes de ligar o aparelho, certifique-se de que a tensão indicada no mesmo corresponde à tensão local. Tensão 220V-240V 50Hz).

UTILIZAÇÃO DO PAINEL DE CONTROLO



- **Potência** - Toque uma vez para ligar o aparelho, toque novamente para o pôr em espera.
- **Indicador de potência** - Acende-se quando o aparelho está ligado à corrente.

PT



- **Mais e menos** - Toque nos ícones + ou - para aumentar ou diminuir o tempo entre 01-24 horas ou para ajustar o nível de umidade entre 40% e 80% com intervalos de 5%.



- **Velocidade do ventilador** - Toque para alternar entre ALTA e BAIXA velocidade do ventilador.
- **Indicadores de velocidade do ventilador** - Indica a velocidade do ventilador selecionada.



- **Umidade** - Toque para alterar o nível de umidade e depois utilizar os ícones + e - para aumentar ou diminuir o nível de umidade entre 40% e 80% com intervalos de 5%.

Depois de trabalhar um tempo num ambiente onde o nível de umidade é 2% inferior ao nível de umidade selecionado, o compressor para e o ventilador continua a funcionar durante 3 minutos antes de parar. Quando a umidade do ambiente for igual ou superior a 2% da umidade selecionada, o compressor reinicia após 3 minutos.



Visor da umidade e do temporizador - Ao ligar o aparelho, aparece o nível atual de umidade na sala. Ao ajustar o nível de umidade, a umidade selecionada pisca por poucos instantes no visor e aparece o nível de umidade atual.

Se o nível de umidade na sala for inferior a 35%, aparece "35". Se o nível de umidade na sala for superior a 95%, aparece "95".

Ao definir o temporizador, o temporizador pisca por poucos instantes no visor e aparece depois durante alguns segundos antes de o visor voltar a mostrar o nível de umidade atual.



- **Temporizador** - para definir uma hora programada para o aparelho se ligar ou para ficar em espera.
- **Indicador do temporizador** - Acende-se quando o temporizador é ativado.

O temporizador pode ser definido para entre 1 e 24 horas.

- Para definir o tempo de ligação do aparelho, enquanto o aparelho estiver em espera, toque no ícone do temporizador, o indicador do temporizador acende-se, depois utilize os ícones + e - para definir o tempo. O tempo no visor pisca durante 5 segundos e depois para. O indicador de tempo permanece aceso até que o aparelho se ligue.

- Para definir o tempo de desligar o aparelho, enquanto o aparelho estiver em funcionamento, toque no ícone do temporizador, o indicador do temporizador acende-se, depois utilize os ícones + e - para definir o tempo. O tempo no visor pisca durante 5 segundos antes de voltar a mostrar a temperatura ambiente atual. O indicador de tempo permanece aceso até que o aparelho se desligue.
- Para cancelar a programação do temporizador toque duas vezes no ícone do temporizador, o indicador do temporizador apaga-se e o temporizador deixa de estar ativo.

Nota: O tempo programado permanece inalterado se a máquina parar de funcionar devido a um tanque cheio ou durante a descongelação.



- **Bloqueio para crianças** - Toque e mantenha premido o ícone de Bloqueio para crianças durante 5 segundos para ativar esta função, todas as outras funções não funcionam enquanto esta estiver ativada, para desativar a função Bloqueio para crianças, toque novamente no ícone de Bloqueio para crianças durante 5 segundos.
- **Indicador do bloqueio para crianças** - Acende-se se o bloqueio para crianças estiver ativado.
- **CHEIO DE ÁGUA indicador** - Quando o tanque de drenagem estiver cheio, o indicador de Cheio de água acende-se, o aparelho deixa de funcionar e emite um sinal sonoro 15 vezes

para alertar o utilizador de que a água precisa de ser esvaziada do tanque de drenagem > siga os passos deste manual para "Esvaziar o tanque de drenagem".

UTILIZAÇÃO

- Ligue o aparelho a uma tomada ligada à terra. O aparelho emite um sinal sonoro uma vez, o indicador de potência acende-se.
- Toque no ícone de potência para ligar o aparelho, os ventiladores começam a funcionar e o nível atual de humidade aparece no visor.
- Se desejar, pode seguir os passos em - "Utilização do painel de controlo" para definir o temporizador, ajustar a velocidade do ventilador ou o nível de humidade.
- Toque novamente no ícone de alimentação para ligar o aparelho em modo de espera.
- Desligue o aparelho quando não estiver a ser utilizado.

Funcionamento a baixa temperatura com descongelação automática

Quando o aparelho funciona numa sala com temperatura entre 5°C e 12°C, para automaticamente a cada 30 minutos para descongelar.

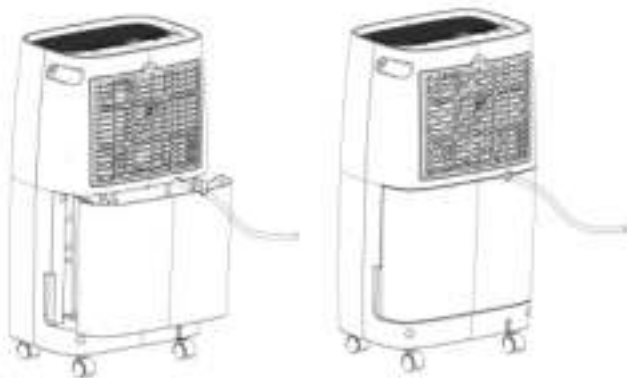
Quando o aparelho funciona numa sala com temperatura entre 12°C e

20°C, para a cada 45 minutos para descongelar.

DRENAGEM CONTÍNUA DA ÁGUA

O aparelho dispõe de uma porta de drenagem contínua.

- Abra o tanque e fixe uma extremidade da mangueira fornecida à saída de água no tanque de drenagem e permita que a água recolhida drene continuamente.



Se o tanque de drenagem estiver sujo, lave-o com água fria ou morna. Não utilize detergente, esfregões, panos de pó tratados quimicamente, gasolina, benzeno, diluente, ou outros solventes, pois estes podem riscar e danificar o tanque e causar fugas de água.

- Coloque novamente o tanque de drenagem no aparelho. Ao substituir o tanque de drenagem, pressione firmemente o tanque com as duas mãos. Se o tanque não for posicionado corretamente, o sensor "CHEIO DE ÁGUA" é ativado, e o aparelho não funciona.



Nota: Não remova o flutuador do tanque de água. O sensor de cheio de água deixa de ser capaz de detectar corretamente o nível de água sem o flutuador e a água pode vaziar do tanque de água.

ESVAZIAR O TANQUE DE DRENAGEM

Quando o tanque de drenagem estiver cheio, o indicador de Cheio de água acende-se, o funcionamento para automaticamente e o sinal sonoro emite 15 toques para alertar o utilizador, que a água precisa de ser esvaziada do tanque de drenagem.

- Pressione ligeiramente os lados do tanque com ambas as mãos e puxe suavemente o tanque para fora.
- Remova o tanque de drenagem e esvazie a água.



LIMPEZA E MANUTENÇÃO

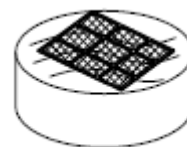
- Antes de limpar, tenha o cuidado de desligar a unidade de qualquer fonte de alimentação elétrica.
- Primeiro, limpe a superfície com um detergente neutro e um pano húmido, depois passe um pano seco.
- Não use gasolina ou outros químicos para limpar a unidade.

LIMPAR O FILTRO

- Desligue o aparelho da tomada antes da limpeza.
- Abra a cobertura do filtro e remova o filtro.



- Aspire o filtro para remover qualquer sujidade. Se o filtro estiver exceccionalmente sujo, lave-o com água morna e um produto de limpeza suave e seque-o bem.



- Coloque novamente o filtro na tampa do filtro e fixe-o novamente no aparelho.

RESOLUÇÃO DE PROBLEMAS

Problema	Possíveis causas	Solução sugerida
----------	------------------	------------------

PT

O aparelho não funciona.	A linha elétrica está corretamente ligada?	Ligue a ficha à tomada.
	A luz indicadora de Cheio de água está acesa (tanque de água cheio ou não no local certo).	Esvazie a água no tanque
	A temperatura ambiente é superior a 35 graus ou inferior a 7 graus.	O dispositivo de proteção está ativo e o aparelho não pode ser iniciado.
	O bloqueio para crianças está ativado?	Se o bloqueio para crianças estiver ativado, desbloqueie-o tocando e segurando no botão de bloqueio para crianças durante 5 segundos.
A função de desumidificação o não pode começar.	O filtro está bloqueado?	Limpe o filtro de acordo com as instruções de limpeza.
	A entrada ou saída de ar está bloqueada?	Remova a obstrução da entrada ou saída de ar.

O aparelho faz ruído.	A máquina está inclinada?	Desloque a máquina para uma superfície plana e horizontal.
	O filtro está bloqueado?	Limpe o filtro de ar de acordo com as instruções de limpeza.
Não há descarga de ar	O filtro está bloqueado?	Limpe o filtro de ar de acordo com as instruções de limpeza.

ARMAZENAMENTO

- Esvazie o depósito de água.
- Enrole o cabo de alimentação.
- Limpe o filtro.
- Armazene a unidade em local fresco e seco.

DECLARAÇÃO DE CONFORMIDADE

A Tristar Europe declara, pela presente, que o tipo de equipamento de rádio está em conformidade com a Diretiva 2014/53/UE
 O texto completo da declaração de conformidade da UE encontra-se disponível no seguinte endereço: http://www.tristar.eu/tristar_group/download_center

O PRODUTO OU EQUIPAMENTO CONTÉM GÁS FLUORADO COM EFEITO DE ESTUFA.

Artigo n.º DH-5419

Líquido refrigerante: R290

Quantidade em kg: 45 kg

Potencial de aquecimento global: 3

Equivalente a CO2 em toneladas: 0,000135

AMBIENTE



Este equipamento não deve ser colocado no lixo doméstico no final da sua vida útil, mas antes entregue num centro de reciclagem de equipamento doméstico elétrico e eletrónico. Este símbolo no equipamento, o manual de instruções e a embalagem chamam a atenção para esta questão importante. Os materiais usados neste equipamento podem ser reciclados. Ao reciclar eletrodomésticos usados estará a contribuir de forma significativa para proteger o nosso ambiente. Informe-se sobre os pontos de recolha junto das entidades locais.

Assistência

Encontra todas as informações e peças de substituição em service.tristar.eu!

SICUREZZA

- Si prega di leggere attentamente questo manuale d'uso per usare, mantenere e installare correttamente l'apparecchio.
 - Il produttore non è responsabile di eventuali danni e lesioni conseguenti la mancata osservanza delle istruzioni di sicurezza.
 - L'apparecchio è destinato esclusivamente all'uso in ambienti interni.
 - Non collegare l'apparecchio a una presa di corrente difettosa o non correttamente installata.
 - Non utilizzare l'unità:
 - vicino a potenziali fonti d'incendio.
 - in un'area in cui potrebbe schizzare dell'olio.
 - in un'area esposta alla luce diretta del sole;
 - in un'area in cui potrebbe schizzare dell'acqua.
 - vicino a una vasca da bagno, una doccia o una piscina.
 - Non inserire mai le dita od oggetti di alcun tipo nelle bocchette di uscita dell'aria. Avvertire in modo esaustivo e chiaro i bambini di questi pericoli.
 - Tenere l'apparecchio in verticale durante il trasporto e lo stoccaggio.
- Prima di pulire o spostare l'apparecchio, si deve sempre spegnerlo o scollegarlo dall'alimentazione elettrica.
 - Se il cavo di alimentazione è danneggiato, deve essere sostituito dal produttore, da un addetto all'assistenza o da personale con qualifiche analoghe per evitare rischi.
 - Non spostare mai l'apparecchio tirandolo per il cavo e controllare che il cavo non possa rimanere impigliato.
 - Collocare l'apparecchio su una superficie stabile e piana.
 - Questo apparecchio è destinato a un uso esclusivamente domestico e deve essere utilizzato soltanto per gli scopi previsti.
 - L'apparecchio deve essere installato in conformità alle norme nazionali in materia di cablaggi elettrici.
 - Note:
 - Se una qualsiasi parte dell'apparecchio risulta danneggiata, contattare il rivenditore o un centro di assistenza specializzato.
 - In caso di qualsiasi tipo di danno, spegnere l'apparecchio, scollegare l'alimentazione elettrica e contattare il rivenditore o un centro di assistenza specializzato.

- In ogni caso, la presa elettrica a cui collegare il cavo di alimentazione deve essere correttamente collegata a terra.
 - L'apparecchio non deve essere utilizzato da bambini di età inferiore agli 8 anni. L'apparecchio può essere utilizzato da bambini di almeno 8 anni e da persone con ridotte capacità fisiche, sensoriali o mentali oppure senza la necessaria pratica ed esperienza sotto la supervisione di un adulto o dopo aver ricevuto adeguate istruzioni sull'uso in sicurezza dell'apparecchio e aver compreso i possibili rischi. I bambini non devono giocare con l'apparecchio. Mantenere l'apparecchio e il relativo cavo fuori dalla portata dei bambini di età inferiore agli 8 anni. I bambini non devono eseguire interventi di manutenzione e pulizia almeno che non abbiano più di 8 anni e non siano controllati.
- Avvertenza**
- Per proteggersi dalle scosse elettriche, non immergere il cavo, la spina o l'apparecchio nell'acqua né in qualsiasi altro liquido.
 - L'apparecchio deve essere riposto in un locale in cui non vi sia la presenza costante di fonti di ignizione (ad esempio: fiamme libere, un apparecchio a gas o un riscaldatore elettrico in funzione).
 - Non perforare e non incendiare.
 - Tenere presente che i gas refrigeranti potrebbero non essere addizionati con sostanze odorizzanti.
 - Per la riparazione o la manutenzione di questo apparecchio, contattare un tecnico dell'assistenza autorizzato.
 - Non tirare, deformare o modificare il cavo di alimentazione, né immergerlo in acqua. La trazione o l'uso improprio del cavo di alimentazione può causare danni all'apparecchio ed esporre al pericolo di folgorazione.
 - La conformità alle normative nazionali in materia di gas deve essere osservata.
 - Tenere le aperture di ventilazione libere da ostruzioni.
 - Chiunque effettui interventi sul circuito del refrigerante, inclusa la sua apertura, deve essere in possesso di un certificato in corso di validità rilasciato da un'autorità accreditata del settore, che ne autorizza la

competenza a manipolare i refrigeranti in modo sicuro e in conformità con le specifiche normative in vigore.

- La manutenzione deve essere eseguita solo secondo le raccomandazioni del produttore dell'apparecchio. La manutenzione e le riparazioni che richiedono l'assistenza di altro personale qualificato devono essere effettuate sotto la supervisione di un operatore autorizzato all'uso di refrigeranti infiammabili.
- Non spegnere l'apparecchio scollegando la spina di alimentazione mentre l'apparecchio è in funzione, poiché si potrebbe incorrere nel rischio di folgorazione o di causare un incendio a causa di surriscaldamento, a meno che l'apparecchio non emetta rumori od odori inconsueti o fumo.
- Scollegare l'apparecchio qualora produca rumori inconsueti, odori o fumo.



Attenzione

- Assicurarsi la corretta e costante aerazione del prodotto, e che le prese d'aria e le bocchette di uscita dell'aria non siano ostruite in alcun modo.
- Posizionare l'apparecchio su una superficie orizzontale per evitare perdite d'acqua.
- Non utilizzare l'apparecchio in atmosfere esplosive o corrosive.
- Utilizzare l'apparecchio a temperatura ambiente non superiore a 35 gradi centigradi.
- Dopo aver spento l'apparecchio, attendere almeno 3,5 minuti prima di riaccenderlo, per evitare danno al compressore.
- Per evitare di sovraccaricare impianto elettrico e far scattare l'interruttore generale, non utilizzare prolunghe con questo apparecchio.

Refrigerante

Informazioni specifiche per gli apparecchi contenenti gas refrigerante R290.

- Leggere attentamente tutte le avvertenze.
- Per lo sbrinamento e la pulizia dell'apparecchio, non utilizzare attrezzi diversi da quelli raccomandati dall'azienda produttrice.

- L'apparecchio deve essere collocato in un'area in cui non vi sia la presenza costante di fonti di ignizione (ad esempio: fiamme libere, apparecchi a gas o elettrici in funzione).
- Non forare e non incendiare.
- Questo apparecchio contiene Y g (vedere la targhetta identificativa dell'apparecchio) di gas refrigerante R290.
- R290 è un gas refrigerante conforme alle direttive europee sull'ambiente. Non forare alcuna porzione del circuito del refrigerante.
- Se l'apparecchio è installato, è in funzione o è stato riposto in un locale non ventilato, tale locale deve essere progettato in modo da evitare l'accumulo di perdite di refrigerante, che potrebbero infiammarsi in presenza di riscaldatori elettrici, stufe o altre fonti di ignizione, causando incendi o esplosioni.
- L'apparecchio deve essere riposto in modo da evitare guasti meccanici.
- Chiunque effettui interventi di installazione, riparazione, ricerca perdite e manutenzione di impianti contenenti gas refrigeranti deve essere in possesso di un certificato in corso di validità rilasciato da un'autorità accreditata del settore.

- Le riparazioni devono essere eseguite secondo le raccomandazioni dell'azienda produttrice. La manutenzione e le riparazioni che richiedono l'assistenza di altro personale qualificato devono essere effettuate sotto la supervisione dell'operatore autorizzato all'uso di refrigeranti infiammabili.

(CE) N 842/2006: Questo Unità contiene il refrigerante R290. La quantità di refrigerante è inferiore a 1 kg e si trova in un circuito di raffreddamento sigillato. Il refrigerante ha un potenziale di riduzione dell'ozono pari a zero, ma è un cosiddetto gas serra ai sensi del protocollo di Kyoto e può quindi contribuire al riscaldamento globale, se viene rilasciato nell'atmosfera. Pertanto, solo tecnici addestrati e in possesso di Certificazione di tecnici del freddo o, come comunemente denominato, di Patentino Frigoristi, possono eseguire il riempimento o lo svuotamento del circuito. L'apparecchio non richiede il rabbocco del refrigerante se usato correttamente e se il circuito del refrigerante è integro. GWP: R290: 3



- **AVVERTENZA:** Per evitare il surriscaldamento, non coprire il riscaldatore.

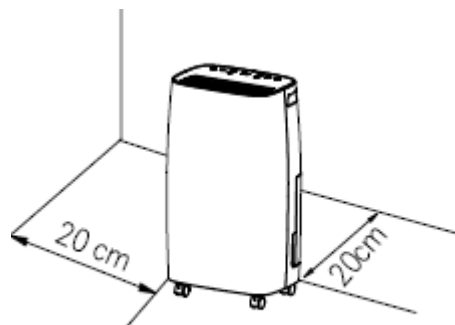
DESCRIZIONE DELLE PARTI

1. Pannello di controllo
2. Griglie di uscita aria

3. Coprifiltro
4. Filtro dell'aria
5. Serbatoio di scarico
6. Uscita acqua
7. Tubo di drenaggio

PRIMA DEL PRIMO UTILIZZO

- Posizionare l'apparecchio in posizione verticale corretta prima di estrarlo dall'imballo.
- Estrarre apparecchio e accessori dall'imballaggio. Rimuovere adesivi, pellicola protettiva o plastica dall'apparecchio.
- Prima di usare l'apparecchio per la prima volta, pulire tutte le parti amovibili con un panno umido. Non utilizzare mai prodotti abrasivi.
- Accertarsi che l'apparecchio non sia posizionato contro oggetti che ostruiscono la presa d'aria, ad esempio mobili o tende, in quanto ciò influisce notevolmente sulle sue prestazioni.
- Non collocare né usare l'apparecchio in luoghi ristretti.
- Non posizionare l'apparecchio in pieno sole in quanto potrebbe surriscaldarsi e spegnersi automaticamente e il colore delle parti esterne potrebbe sbiadire rapidamente.
- Tra l'apparecchio e la parete o altri ostacoli è necessario mantenere una distanza minima di 20 cm.

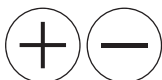


- Collegare il cavo di alimentazione alla presa. (Nota: Assicurarsi che la tensione indicata sul dispositivo corrisponda alla tensione locale prima di collegarlo. Tensione 220V-240V 50Hz).

UTILIZZO DEL PANNELLO DI CONTROLLO



- **Accensione** - Toccare una volta per accendere l'apparecchio, toccare di nuovo per mettere l'apparecchio in stand-by.
- **Spia di alimentazione** - Si illumina quando l'apparecchio è collegato.



- **Più e Meno** - Toccare le icone + o - per impostare il timer da una a 24 ore o per regolare il livello di umidità tra 40% e 80% a intervalli di 5 punti percentuali.



- **Velocità del ventilatore** - Toccare per scegliere tra velocità ALTA e BASSA del ventilatore.
- **Spie della velocità del ventilatore** - Indica la velocità di ventilazione selezionata.



- **Umidità** - Toccare per cambiare il livello di umidità poi usare le icone + o - per aumentare o diminuire il livello di umidità tra 40% e 80% a intervalli di 5 punti percentuali.

Dopo un periodo di funzionamento in un ambiente in cui il livello di umidità è inferiore del 2% rispetto al livello di umidità selezionato, il compressore si ferma e il ventilatore continua a funzionare per 3 minuti prima di arrestarsi anch'esso. Il compressore si riavvia dopo 3 minuti se l'umidità dell'ambiente è uguale o superiore del 2% rispetto all'umidità selezionata,



Display umidità e timer – Quando l'apparecchio è acceso, visualizza il livello di umidità presente nella stanza. Quando si imposta il livello di umidità, il valore impostato lampeggia brevemente sul display; dopodiché, viene visualizzato il livello di umidità rilevato nell'ambiente.

Se il livello di umidità nella stanza è inferiore al 35%, il display indica "35". Se il livello di umidità nella stanza è superiore al 95%, il display indica "95".

Quando si imposta il timer, questo lampeggia brevemente sul display e viene mostrato per alcuni secondi prima che il display torni a indicare il livello di umidità corrente.



- **Timer** - per impostare un tempo programmato per l'accensione o lo stand-by dell'apparecchio.
 - **Spia del timer** - Si illumina quando il timer è attivo.
- Il timer può essere impostato su un valore compreso tra una e 24 ore.
- Per impostare l'ora di accensione dell'apparecchio, toccare l'icona del timer mentre l'apparecchio è in stand-by, l'indicatore del timer si accenderà, quindi utilizzare le icone + e - per

impostare l'ora. Il tempo sul display lampeggerà per 5 secondi e poi si fermerà. La spia del timer rimarrà accesa fino all'accensione dell'apparecchio.

- Per impostare l'ora di spegnimento dell'apparecchio, toccare l'icona del timer mentre l'apparecchio è in funzione, l'indicatore del timer si accenderà, quindi utilizzare le icone + e - per impostare l'ora. L'ora sul display lampeggerà per 5 secondi prima di tornare a mostrare la temperatura rilevata nella stanza. La spia del timer rimarrà accesa fino allo spegnimento dell'apparecchio.
- Per annullare la programmazione del timer toccare due volte l'icona del timer, la spia del timer si spegnerà e il timer non sarà più attivo.

Nota: Il tempo programmato rimane invariato se la macchina si ferma a causa del serbatoio pieno o durante lo sbrinamento.



- **Blocco bambini** - Tenere premuta l'icona Blocco Bambini per 5 secondi per attivare la funzione: tutte le altre funzioni non saranno attivabili: per disattivare il blocco di sicurezza tenere nuovamente premuta l'icona Blocco Bambini per 5 secondi.
- **Spia Blocco Bambini** - Si illumina quando la funzione Blocco Bambini è attiva.
- **SERBATOIO ACQUA PIENO spia** - Quando il serbatoio di scarico è pieno, la spia Serbatoio Acqua Pieno si illumina, l'apparecchio smette di funzionare ed emette 15 bip per avvisare

l'utente l'acqua deve essere rimossa dal serbatoio di scarico > Seguire le indicazioni alla sezione "Svuotare il serbatoio di scarico" del presente manuale.

USO

- Collegare l'apparecchio a una presa con messa a terra. L'apparecchio emette un segnale acustico e la spia di accensione si illumina.
- Toccare l'icona di accensione per accendere l'apparecchio, i ventilatori inizieranno a funzionare e il livello di umidità rilevato sarà visualizzato sul display.
- Per impostare il timer, regolare la velocità del ventilatore o il livello di umidità, seguire la procedura al punto "Uso del pannello di controllo"
- Toccare nuovamente l'icona di accensione per mettere l'apparecchio in stand-by.
- Scollegare l'alimentazione dell'apparecchio quando non è in uso.

Funzionamento a bassa temperatura con sbrinamento automatico

Se è in funzione in una stanza con una temperatura compresa tra 5°C e 12°C, l'apparecchio si fermerà automaticamente ogni 30 minuti per sbrinare.

Se è in funzione in una stanza con una temperatura compresa tra 12°C e 20°C, l'apparecchio si fermerà ogni 45 minuti per sbrinare.

DRENAGGIO CONTINUO DELL'ACQUA

L'apparecchio è dotato di una porta di drenaggio continuo.

- Aprire il serbatoio e collegare un'estremità del tubo in dotazione all'uscita dell'acqua all'interno del serbatoio di scarico e lasciare che l'acqua raccolta defluisca in modo continuo.



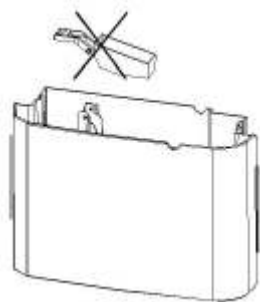
SVUOTAMENTO DEL SERBATOIO DI SCARICO

Quando il serbatoio di scarico è pieno, la spia "Serbatoio acqua pieno" si accende, il funzionamento si interrompe automaticamente e il cicalino emette 15 segnali acustici per avvisare l'utente che l'acqua deve essere rimossa dal serbatoio di scarico.

- Premere leggermente sui lati del serbatoio con entrambe le mani ed estrarlo delicatamente.
 - Rimuovere il serbatoio di scarico e svuotarlo dell'acqua.
- Se il serbatoio di scarico è sporco, lavarlo con acqua fredda o tiepida. Non utilizzare detersivi, spugne abrasive, panni per la polvere trattati chimicamente, benzina, benzene, diluenti o altri solventi, poiché possono graffiare e danneggiare il serbatoio e causare perdite d'acqua.
- Riposizionare il serbatoio di scarico nell'apparecchio. Quando si riposiziona il serbatoio di scarico, premere saldamente in posizione il serbatoio con entrambe le mani. Se il serbatoio non è posizionato correttamente, si attiverà il sensore "SERBATOIO ACQUA PIENO" e l'apparecchio non funzionerà.



Attenzione: Non rimuovere il galleggiante dal serbatoio dell'acqua. Il sensore di riempimento del serbatoio dell'acqua non sarà più in grado di rilevare correttamente il livello dell'acqua senza il galleggiante e l'acqua potrebbe fuoriuscire dal serbatoio.



PULIZIA E MANUTENZIONE

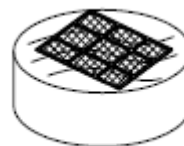
- Prima della pulizia, assicurarsi di scollegare l'apparecchio dalla presa elettrica.
- Pulire prima la superficie esterna con un detergente neutro e un panno umido, poi passare un panno asciutto.
- Non utilizzare benzina o altri prodotti chimici per pulire l'apparecchio.

PULIZIA DEL FILTRO

- Prima della pulizia, scollegare l'apparecchio dalla rete elettrica.
- Aprire il coperchifiltro e rimuovere il filtro.



- Pulire delicatamente il filtro con un aspiratore per rimuovere la sporcizia. Se il filtro è particolarmente sporco, lavarlo con acqua calda e un detergente delicato e asciugarlo accuratamente.



- Rimontare il filtro sul coperchio del filtro e ricollegarlo all'apparecchio.

RISOLUZIONE DEI PROBLEMI

Problema	Possibili cause	Soluzione suggerita
----------	-----------------	---------------------

L'apparecchio non funziona.	L'apparecchio è collegato correttamente alla rete elettrica?	Inserire la spina nella presa di corrente.
	La spia "Serbatoio acqua pieno" è accesa (serbatoio dell'acqua pieno o non montato correttamente).	Svuotare il serbatoio dell'acqua
	La temperatura della stanza è superiore a 35 gradi o inferiore a 7 gradi.	Il dispositivo di protezione è attivo e l'apparecchio non può essere avviato.
	Il Blocco Bambini è attivo?	Se il Blocco Bambini è attivo, rimuoverlo tenendo premuto il pulsante Blocco Bambini per 5 secondi.
La funzione di deumidificazione non si avvia.	Il filtro è bloccato?	Pulire il filtro attenendosi alle istruzioni di pulizia.
	L'entrata o l'uscita dell'aria sono bloccate?	Rimuovere l'ostruzione dall'entrata o dall'uscita dell'aria.
L'apparecchio fa rumore.	La macchina è inclinata?	Spostare la macchina su una superficie piana e orizzontale.
	Il filtro è bloccato?	Pulire il filtro dell'aria attenendosi alle istruzioni di pulizia.

Non viene scaricata aria	Il filtro è bloccato?	Pulire il filtro dell'aria attenendosi alle istruzioni di pulizia.
--------------------------	-----------------------	--

STOCCAGGIO

- Scaricare l'acqua del serbatoio.
- Avvolgere il cavo di alimentazione.
- Pulire il filtro.
- Riporre l'apparecchio in un luogo fresco e asciutto.

DICHIARAZIONE DI CONFORMITÀ

Con il presente documento, Tristar Europe dichiara che l'apparecchio radio tipo è conforme alla Direttiva 2014/53/UE
 Il testo completo della dichiarazione di conformità UE è disponibile al seguente indirizzo internet: http://www.tristar.eu/tristar_group/download_center

IL PRODOTTO O L'APPARECCHIATURA CONTIENE GAS FLUORURATI AD EFFETTO SERRA.

Art. n° DH-5419
 Refrigerante: R290
 Quantità in kg: 45g
 Potenziale di riscaldamento globale: 3
 CO2 equivalente in tonnellate: 0,000135

AMBIENTE



Questo apparecchio non deve essere smaltito con i rifiuti domestici al termine del suo ciclo di vita, ma deve essere conferito presso i punti di raccolta per il riciclo di apparecchi elettrici ed elettronici per uso domestico. Questo simbolo sull'apparecchio, sul manuale di istruzioni e sull'imballaggio pone l'attenzione su questa importante questione ambientale. I materiali utilizzati in questo apparecchio possono essere riciclati. Il riciclo degli elettrodomestici usati è un importante contributo alla protezione del nostro ambiente. Contattare le autorità locali per informazioni riguardanti il punto di raccolta locale.

Assistenza

Tutte le informazioni e le parti di ricambio sono disponibili sul sito service.tristar.eu.

SÄKERHET

- Läs användarmanualen noggrant för att säkerställa korrekt användning, underhåll och installation.
- Om dessa säkerhetsanvisningar ignoreras kan inget ansvar utkrävas av tillverkaren för eventuella skador som uppkommer.
- Apparaten är endast för inomhusbruk.
- Anslut inte enheten till ett uttag som håller på att repareras, eller som inte installerats på rätt sätt.
- Använd inte enheten:
 - i närheten av en öppen låga.
 - på ett område där det kan skvätta olja
 - på ett område som är utsatt för direkt solljus.
 - på ett område där det kan skvätta vatten.
 - i närheten av ett badkar, en dusch eller badbassäng.
- För aldrig in dina fingrar eller några andra objekt i luftutloppet. Var extra varsam och varna barn om dessa faror.
- Ha enheten upprätt under transport och förvaring.
- Stäng alltid av eller koppla bort enhetens strömförsörjning innan rengöring eller förflyttning.
- Om nätsladden är skadad måste den bytas ut av tillverkaren, dess servicerepresentant eller liknande kvalificerade personer för att undvika fara.
- Flytta aldrig apparaten genom att dra den i sladden och se till att sladden inte kan trassla in sig.
- Apparaten måste placeras på en stabil, jämn yta.
- Denna apparat får endast användas för hushållsändamål och endast för det syfte den är konstruerad för.
- Apparaten ska installeras i enlighet med nationella kopplingsföreskrifter.
- Obs!
- Kontakta återförsäljaren eller en reparatör om några av delarna är skadade.
- Om skador uppstått ska du stänga av enheten, koppla bort strömförsörjningen och kontakta återförsäljaren eller en reparatör.
- Strömkabeln ska alltid vara jordad.
- Apparaten ska inte användas av barn som är yngre än 8 år. Apparaten kan användas av barn från och med 8 års ålder och av personer med ett fysiskt, sensoriskt eller mentalt handikapp eller brist på erfarenhet och kunskap om de övervakas eller

instrueras om hur apparaten ska användas på ett säkert sätt och förstår de risker som kan uppkomma. Barn får inte leka med apparaten. Håll apparaten och nätkabeln utom räckhåll för barn som är yngre än 8 år. Rengöring och underhåll får inte utföras av barn såvida de inte är äldre än 8 år och övervakas.

Varning

- För att undvika elektriska stötar ska du aldrig sänka ned sladden, kontakten eller apparaten i vatten eller någon annan vätska.
 - Apparaten ska förvaras i ett rum utan antändningskällor (exempelvis öppen eld, gasapparater eller elektriska värmare i bruk).
 - Gör inte hål i eller bränn den.
 - Var medveten om att köldmedium ska vara doftfria.
 - Kontakta en auktoriserad servicetekniker för reparation eller underhåll av enheten.
 - Dra inte i, deformera eller modifiera strömkabeln, och sänk heller inte ned den i vatten. Att dra i eller felaktigt använda strömkabeln kan leda till skador på enheten och elchocker.
 - Efterlevnad med nationella gasföreskrifter måste följas.
- Håll ventilationsöppningar fria från hinder.
 - Alla som arbetar med eller öppnar en kylkrets ska ha aktuella gällande certifikat från en ackrediterad branschbedömningsmyndighet som autentiserar deras kompetens i att hantera köldmedium på ett säkert sätt och i enlighet med gällande bedömningsspecifikationer inom branschen.
 - Service ska endast utföras så som tillverkaren av utrustningen rekommenderar. Underhåll och reparationer som kräver hjälp från övriga fackkunniga ska utföras under övervakning från person(-er) som har kompetens inom användningen av brandfarliga köldmedium.
 - Stäng inte av enheten genom att dra ut kontakten under användning, såvida den inte avger onormala ljud eller rök, eftersom det kan leda till elstötar eller brand på grund av värmealstring.
 - Dra ur kontakten om du ser eller hör konstiga ljud, lukter eller rök från enheten.

**Varning**

- Se till att produkten alltid är ventilerad och att intags- och utloppsventilationen inte är blockerad på något sätt.
- Använd enheten på en horisontell yta för att undvika vattenläckage.
- Använd inte enheten i en explosiv eller frätande miljö.
- Använd enheten i en rumstemperatur på 35 grader Celsius eller mindre.
- När enheten är avstängd ska du vänta minst 3,5 minut innan du startar den igen. Det är för att förhindra skador på kompressorn.
- Använd inte en förlängningsssladd med enheten eftersom det kan leda till strömavbrott.

Köldmedium


Specifik information som rör apparater med köldmedium R 290.

- Läs noggrant igenom alla varningar.

- Vid avfrostning och rengöring av apparaten ska inga verktyg användas utöver de som tillverkaren rekommenderar.
- Apparaten måste placeras i ett område som inte har beständiga brandkällor (exempelvis öppen eld, gas- eller elapparater som används).
- Gör inte hål i eller bränn apparaten.
- Apparaten innehåller Y g av köldmedium R290 (se klassificeringsetiketten på enhetens baksida).
- R290 är ett köldmedium som överensstämmer med de europeiska miljödirektiven. Gör inte hål i någon del av kylkretsen.
- Om apparaten installeras, används eller förvaras på en plats utan ventilation måste rummet vara utformat för att förhindra ackumulering av köldmediumläckage som kan leda till brand- eller explosionsrisker eftersom köldmedium kan antändas av eluppvärmning, spisar eller andra brandkällor.
- Apparaten måste förvaras på ett sätt som förhindrar maskinfel.

- Personer som använder eller arbetar med kylkretsen måste ha giltig certifiering som utfärdats av en ackrediterad organisation som säkerställer att kompetens upprätthålls vid hantering av köldmedium i enlighet med en specifik utvärdering som är erkänd av föreningar inom branschen.
- Reparationer måste utformas baserat på de rekommendationer som kommer från tillverkaren. Underhåll och reparationer som kräver hjälp från övriga kvalificerade ska utföras under övervakning från någon som är specialiserad inom användningen av brandfarliga köldmedium.

(CE) N 842/2006: Enheter innehåller köldmedium R290. Mängden köldmedium är mindre än 1 kg och finns i en stängd kylkrets. Kylmedlet har potential för nedbrytning av ozonskiktet, men är en så kallad växthusgas enligt Kyotoprotokollet och kan därför bidra till global uppvärmning om den frigörs i atmosfären. Därför ska enbart utbildade tekniker med köldmediumcertifikat fylla på eller tömma ut. Apparaten behöver inte fyllas på med köldmedium om den används korrekt och har en hel kylkrets. GWP: R290: 3

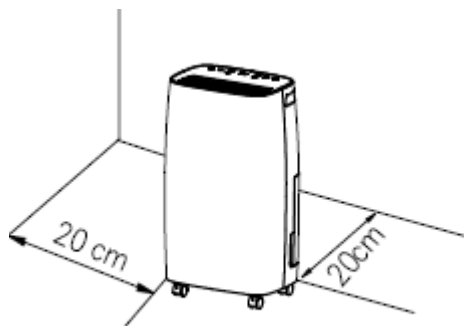
-  **WARNING!** Undvik överhettning genom att inte täcka över värmaren.

RESERVDELSBESKRIVNING

1. Kontrollpanel
2. Luftutgångsgaller
3. Filterskydd
4. Luftfilter
5. Dräneringstank
6. Vattenuttag
7. Dräneringsslang

FÖRE FÖRSTA ANVÄNDNING

- Placera enheten i upprätt läge innan du tar bort förpackningen.
- Ta ut apparaten och tillbehören ur lådan. Avlägsna klistermärken, skyddsfolie och plast från apparaten.
- Innan apparaten används för första gången, torka av alla avtagbara delar med en dammtrasa. Använd aldrig slipande produkter.
- Se till att enheten inte placeras mot föremål som kan förhindra luftintaget, t.ex. möbler eller gardiner, eftersom det kommer att ha drastisk effekt på prestandan.
- Placera eller använd inte enheten på en trång plats
- Placera inte enheten i direkt solljus då den kan stängas av på grund av överhettning. Även färgen på enheten kan blekas.
- Ett avstånd på minst 20 cm ska hållas mellan enheten och väggen eller andra föremål.

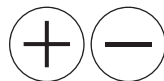


- Anslut nätsladden till uttaget. (Obs: Kontrollera att spänningen som står angiven på enheten motsvarar den lokala spänningen innan du ansluter enheten. Spänning 220V-240V 50Hz).

BRUK AV KONTROLLPANEL



- **Ström** - Tryck en gång för att sätta på enheten, tryck igen för att sätta enheten på standby.
- **Strömvisare** – Tänds när sladden till enheten satts i.



- **Plus och Minus** – Tryck på + eller – symbolerna för att öka eller sänka tiden mellan 01-24 timmar eller för att justera fuktighetsnivån till mellan 40 % och 80 % med 5 % intervaller.



- **Fläkthastighet** - Tryck för att byta mellan HÖGA och LÅGA fläkthastigheter.
- **Fläkthastighetsvisare** – Anger vald fläkthastighet.



- **Fuktighet** Tryck för att justera fuktighetsnivån, använd sedan + och – symbolerna till att öka eller sänka fuktighetsnivån på mellan 40 % och 80 % med 5 % intervaller.

När enheten varit igång en viss period i en omgivning där fuktighetsnivån är 2 % lägre än den valda fuktighetsnivån kommer kompressorn att stanna och sedan kommer fläkten att fortsätta att gå i 3 minuter innan den stannar. När fuktigheten i omgivningen är samma som eller högre än den valda fuktigheten med 2 %, startar kompressorn om efter 3 minuter.



Fuktighets och timerdisplay - När enheten är påslagen visas den aktuella fuktighetsnivån i rummet. När fuktighetsnivån har justerats kommer den valda fuktigheten att blinka snabbt på displayen och sedan visas den aktuella fuktighetsnivån.

När fuktighetsnivån i rummet är lägre än 35 % visar den "35". När fuktighetsnivån i rummet är högre än 95 % visar den "95".

När timern ställts in kommer timern att blinka snabbt i displayen, sedan visas i några sekunder innan displayen återgår till att visa den aktuella fuktighetsnivån.



- **Timer** - för att ställa in en schemalagd tid för att sätta på enheten eller ställa den på standby.
- **Tidsindikator** – Tänds när timern är aktiverad.

Timern kan ställas in på mellan 01 - 24 timmar.

- För att ställa in tiden för enheten att slås på medan den är i standby, tryck på timersymbolen så tänds timerindikatorn, använd sedan + och - ikonerna till att ställa in tiden. Tiden på displayen blinkar i 5 sekunder och stannar sedan. Tidsindikatorn förblir tänd tills enheten slås på.
- För att ställa in tiden för enheten att stängas av medan den är i drift, tryck på timersymbolen så tänds timerindikatorn, använd sedan + och - ikonerna till att ställa in tiden. Tiden på displayen blinkar i 5 sekunder innan den återgår till att visa den aktuella rumstemperaturen. Tidsindikatorn förblir tänd tills enheten stängs av.

- För att avbryta timerprogrammering, tryck på tidssymbolen två gånger så släcks tidsindikatorn och timern kommer inte längre att vara aktiv.

Obs: Den programmerade tiden förblir oförändrad om maskinen slutar att fungera på grund av en full tank eller under avfrostning.



- **Barnlås** - Tryck och håll inne barnlåssymbolen i 5 sekunder för att aktivera barnlåsfunktionen, ingen annan funktion kommer att fungera när den är aktiverad. För att inaktivera barnlåsfunktionen, tryck på barnlåssymbolen igen i fem sekunder.
- **Barnlåsåskiljare** – Tänds när barnlåset är på.
- **WATER FULL, VATTEN FULLT Indikator** – När dräneringstanken är full kommer visaren Vatten fullt att tändas, enheten slutar att fungera och piper 15 gånger för att varna användaren att vattnet behöver tömmas från dräneringstanken > följ stegen i denna manual för "Tömma dräneringstanken".

BRUK

- Sätt i sladden till enheten i ett jordat uttag. Eheten kommer att pipa en gång, strömindikatorn kommer att tändas.
- Tryck på strömsymbolen och sätt på enheten, fläktarna kommer att börja blåsa och den aktuella fuktighetsnivån kommer att visas på displayen.

- Om så önskas kan du följa stegen under – “Använd kontrollpanelen” för att ställa in timern, justera fläkthastigheten eller fuktighetsnivån.
- Peka på strömsymbolen igen för att sätta enheten på standby.
- Dra ur sladden till enheten när den inte är i bruk.

Lågtemperatursdrift med automatisk avfrostning

När enheten är i bruk i ett rum med temperatur på Mellan 5°C och 12°C stannar den automatiskt varje halvtimma för att frosta av.

När enheten är i bruk i ett rum med temperatur på mellan 12°C och 20°C, stannar den var 45 minuter för att frosta av.

KONTINUERLIG VATTENDRÄNERING

Enheten har en kontinuerlig dräneringsport.

- Öppna tanken och anslut ena ändan av den bifogade slangen till vattenuttaget på insidan av dräneringstanken och låt det samlade vattnet dränera kontinuerligt.



TÖMNING AV DRÄNERINGSTANKEN

– När dräneringstanken är full kommer visaren Vatten fullt att tändas, enheten stannar automatiskt och ljudsignalen piper 15 gånger för att varna användaren att vattnet behöver tömmas från dräneringstanken.

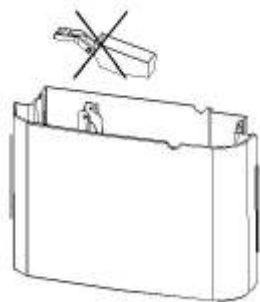
- Tryck lätt på sidorna av tanken med båda händerna och dra försiktigt ut tanken.
- Ta bort dräneringstanken och töm vattnet.

Om dräneringstanken är smutsig, tvätta ur den med kallt eller ljummet vatten. Använd inget diskmedel, skursvampar, kemiskt behandlade dammtrasor, bensin, bensen, thinner eller liknande lösningsmedel eftersom dessa kan repa och skada tanken och orsaka vattenläckage.

- Sätt tillbaka dräneringstanken i enheten. När dräneringstanken sätts tillbaka, tryck fast tanken ordentligt med båda händerna. Om tanken inte sitter på rätt plats kommer sensorn "WATER FULL" att aktiveras och enheten kommer inte att fungera.



Obs: Ta inte bort flottören från vattentanken. Sensorn Water full kommer inte att kunna avläsa vattennivån ordentligt utan flottören och vatten kan börja läcka från vattentanken.



RENGÖRINGSUNDERHÅLL

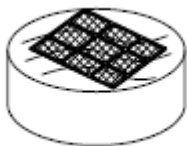
- Innan du rengör den ska du se till att enheten har kopplats bort från elnätet.
- Rengör först ytan med ett neutralt rengöringsmedel och en våt trasa och torka sedan av den med en torr trasa.
- Använd inte bensin eller andra kemikalier för att rengöra enheten.

RENGÖRING AV FILTRET

- Dra ur sladden ur enheten före rengöring.
- Öppna filterskyddet och ta ur filtret.



- Dammsug försiktigt filtret för att ta bort eventuellt skräp. Om filtret är mycket smutsigt, tvätta det med varmt vatten och ett mildt rengöringsmedel och torka grundligt.



- Sätt tillbaka filtret på filterskyddet och sätt tillbaka det på enheten.

FELSÖKNING

Problem	Möjliga orsaker	Föreslagna lösningar
Enheten fungerar inte.	Är sladden isatt ordentligt?	Sätt i kontakten i uttaget.
	Lampan på indikatorn Water Full lyser (vattentanken är full eller inte på rätt plats).	Töm vattnet i tanken
	Rumstemperaturen är över 35 grader eller under 7 grader.	Skyddsensheten är aktiv och enheten går inte att sätta igång.
	Är barnlåset på?	Om barnlåset är på, lås upp det genom att peka och hålla fast barnlåsknappen i 5 sekunder.

Avfuktningfunktionen går inte att sätta igång.	Är filtret igentäppt?	Renför filtret enligt rengöringsanvisningarna.
	Är luftintaget eller utsläppet blockerat?	Ta bort hindret från luftintaget eller utsläppet.
Enheten ger ljud ifrån sig.	Lutar maskinen?	Flytta maskinen till ett plant, horisontellt underlag.
	Är filtret igentäppt?	Rengör filtret enligt rengöringsinstruktionerna.
Det kommer inte ut någon luft	Är filtret igentäppt?	Rengör filtret enligt rengöringsinstruktionerna.

FÖRVARING

- Töm vattnet ur tanken.
- Rulla upp strömkabeln.
- Rengör filtret.
- Förvara enheten på en sval och torr plats.

FÖRSÄKRAN OM ÖVERENSSTÄMMELSE

Härmed förklarar Tristar Europe att radioutrustningen av typ överensstämmer med direktiv 2014/53/EU

Den fullständiga texten av EU-försäkrans om överensstämmelse finns på följande Internetadress: http://www.tristar.eu/tristar_group/download_center

SV

PRODUKTEN ELLER UTRUSTNINGEN INNEHÅLLER FLUORERAD VÄXTHUSGAS.

Art. nr. DH-5419

Kylmedel: R290

Kvantitet i kg: 45 g

Global uppvärmningspotential: 3

Koldioxidmotsvarighet i ton: 0.000135

OMGIVNING



Apparaten får inte kasseras i hushållssoporna när den har nått slutet av sin livslängd, utan ska lämnas in till en återvinningscentral för elektriska och elektroniska hushållsapparater. Denna viktiga information indikeras av aktuell symbol på apparaten, i användarhandboken och på förpackningen. De material som används i den här apparaten kan återvinnas. Genom återvinning av begagnade hushållsapparater hjälper du till att skydda miljön. Kontakta kommunen om du vill ha information om återvinningsplatser.

Support

Du hittar all tillgänglig information och reservdelar på service.tristar.eu!

BEZPIECZEŃSTWO

- Dokładnie przeczytaj instrukcję użytkownika, aby zapewnić prawidłową eksploatację, konserwację i instalację.
- Producent nie ponosi odpowiedzialności za uszkodzenia w przypadku nieprzestrzegania instrukcji bezpieczeństwa.
- Urządzenie jest przeznaczone wyłącznie do użytku w pomieszczeniach.
- Nie podłączaj urządzenia do gniazdka, które jest uszkodzone lub nieprawidłowo zainstalowane.
- Nie używać urządzenia:
 - w pobliżu źródeł ognia
 - w miejscu, w którym może dojść do rozbryzgów oleju
 - w miejscu narażonym na bezpośrednie działanie promieni słonecznych
 - w miejscu, w którym może dojść do rozbryzgów wody
 - w pobliżu wanny, prysznicza lub basenu.
- Nigdy nie wkładaj palców ani innych przedmiotów do wylotu powietrza. Zadbaj o to, aby przestrzec dzieci przed takimi zagrożeniami.
- Podczas transportu i przechowywania trzymaj urządzenie pionowo.
- Zawsze wyłączaj urządzenie i odłączaj je od źródła zasilania przed przystąpieniem do czyszczenia lub konserwacji.
- W przypadku uszkodzenia kabla zasilania, aby uniknąć zagrożenia, musi on być wymieniony przez producenta, jego agenta serwisowego lub osoby o podobnych kwalifikacjach.
- Nie wolno przesuwać urządzenia, ciągnąć za przewód ani dopuszczać do zaplątania kabla.
- Urządzenie należy umieścić na stabilnej i wypoziomowanej powierzchni.
- Urządzenie przeznaczone jest tylko do eksploatacji w gospodarstwie domowym, w sposób zgodny z jego przeznaczeniem.
- Urządzenie należy zainstalować zgodnie z krajowymi przepisami w zakresie okablowania.
- Uwagi:
- Jeśli któraś część jest uszkodzona, skontaktuj się ze sprzedawcą lub wyspecjalizowanym serwisem;

- W razie uszkodzenia wyłącz urządzenie, odłącz je od zasilania i skontaktuj się ze sprzedawcą lub wyspecjalizowanym serwisem.
 - Kabel zasilający musi być zawsze dobrze uziemiony.
 - Dzieci poniżej 8 roku życia nie mogą używać tego urządzenia. Z urządzenia mogą korzystać dzieci w wieku od 8 lat oraz osoby o ograniczonych możliwościach fizycznych, sensorycznych i psychicznych bądź nieposiadające odpowiedniej wiedzy i doświadczenia, pod warunkiem, że są nadzorowane lub otrzymały instrukcje dotyczące bezpiecznego używania urządzenia, a także rozumieją związane z tym zagrożenia. Dzieciom nie wolno bawić się urządzeniem. Urządzenie oraz dołączony do niego kabel należy przechowywać poza zasięgiem dzieci, które nie ukończyły 8 lat. Czyszczenia i konserwacji nie powinny wykonywać dzieci chyba, że ukończyły 8 lat i znajdują się pod nadzorem osoby dorosłej.
- Ostrzeżenie**
- Aby uniknąć porażenia prądem elektrycznym, nie należy zanurzać przewodu, wtyczki ani urządzenia w wodzie bądź w innej cieczy.
 - Urządzenie należy przechowywać w pomieszczeniu, w którym nie ma stałe działających źródeł zapłonu (takich jak otwarty płomień, zapalona kuchenka gazowa, włączony grzejnik elektryczny).
 - Nie przekłuwaj ani nie spalaj urządzenia.
 - Uwaga: czynniki chłodnicze mogą nie zawierać dodatku zapachowego.
 - Aby przeprowadzić naprawę lub konserwację urządzenia, skontaktuj się z autoryzowanym serwisantem.
 - Nie ciągnij za kabel zasilający, nie odkształcaj go ani nie modyfikuj, nie zanurzaj go w wodzie. Ciągnięcie za kabel zasilający lub używanie go w niewłaściwy sposób może spowodować uszkodzenie urządzenia i porażenie prądem elektrycznym.
 - Należy przestrzegać krajowych przepisów w zakresie postępowania z gazami.
 - Otwory wentylacyjne nie mogą być zasłonięte ani zablokowane.

- Każda osoba, która pracuje z układem chłodniczym lub go otwiera, musi mieć ważną licencję wydaną przez akredytowany organ branżowy, która potwierdza kompetencje danej osoby w zakresie bezpiecznej pracy z czynnikami chłodniczymi zgodnie z branżowymi specyfikacjami oceny.
- Prace serwisowe należy wykonywać wyłącznie zgodnie z zaleceniami producenta sprzętu. Konserwację i naprawy, które wymagają uczestnictwa innego przeszkolonego personelu, należy przeprowadzać pod nadzorem osoby kompetentnej (osób kompetentnych) w kwestiach stosowania łatwopalnych czynników chłodniczych.
- Nie wyłączaj urządzenia, wyciągając wtyczkę z kontaktu w trakcie pracy. Może to spowodować porażenie prądem elektrycznym lub pożar w wyniku wytworzenia się ciepła. Wyciągnięcie wtyczki podczas pracy jest dozwolone wyłącznie, jeśli podczas pracy urządzenie zaczyna emitować nietypowe dźwięki, zapachy lub dym.

- Odłącz urządzenie od gniazdka, jeśli wydaje nietypowe dźwięki, wydobywa się z niego dziwny zapach lub dym.



Przeostroga

- Upewnij się, że wentylacja w produkcie działa przez cały czas i że wlotowe i wylotowe otwory wentylacyjne nie są zasłonięte ani zablokowane.
- Ustaw urządzenie na poziomej powierzchni, aby uniknąć wycieku wody.
- Nie używaj urządzenia w otoczeniu, w którym istnieje groźba wybuchu lub korozji.
- Urządzenia używaj w otoczeniu o temperaturze maksymalnej 35°C.
- Gdy urządzenie zostanie wyłączone, przed ponownym uruchomieniem poczekaj przynajmniej 3,5 minuty. Zapobiega to uszkodzeniu sprężarki.


- Aby uniknąć awarii domowej sieci zasilającej, nie podłączaj urządzenia do przedłużacza.

Czynnik chłodniczy

Informacje szczególne dotyczące urządzeń z gazem chłodniczym R290.

- Uważnie przeczytaj wszystkie ostrzeżenia.
- Podczas rozmrażania i czyszczenia urządzenia nie używaj narzędzi innych niż zalecane przez producenta.
- Nie wolno umieszczać urządzenia w miejscach, w których istnieją stałe źródła zapłonu (takie jak otwarte płomienie, kuchenki gazowe lub działające urządzenia elektryczne).
- Nie przebijaj i nie spalaj urządzenia.
- Urządzenie zawiera Y g (patrz tabliczka znamionowa z tyłu urządzenia) gazu chłodniczego R290.
- R290 to gaz chłodniczy zgodny z dyrektywami europejskimi w zakresie środowiska. Nie przebijaj żadnego elementu układu chłodniczego.
- Jeśli urządzenie jest zainstalowane, użytkowane lub przechowywane w niewentylowanym miejscu, pomieszczenie musi być zbudowane tak, aby zapobiec nagromadzeniu się wyciekającego czynnika chłodniczego. Takie wycieki mogą spowodować pożar lub wybuch w wyniku zapłonu czynnika chłodniczego, wywołanego przez grzejniki elektryczne, kuchenki, piecyki lub inne źródła zapłonu.
- Urządzenie należy przechowywać w taki sposób, aby nie doszło do jego mechanicznego uszkodzenia.
- Osoby, które pracują z układem chłodniczym i go obsługują, muszą mieć odpowiednią licencję wydaną przez akredytowaną organizację. Taka licencja zapewnia, że dana osoba ma kompetencje w zakresie postępowania z czynnikami chłodniczymi zgodnie ze specyficzną oceną uznawaną przez stowarzyszenia branżowe.
- Naprawy muszą być przeprowadzane zgodnie z zaleceniami producenta. Konserwację i naprawy, które wymagają uczestnictwa innego wykwalifikowanego personelu, należy przeprowadzać pod nadzorem osoby wyspecjalizowanej w kwestiach stosowania łatwopalnych czynników chłodniczych.

(CE) N 842/2006: Urządzenie zawiera czynnik chłodniczy R290. Ilość czynnika chłodniczego jest mniejsza niż 1 kg, układ chłodzący jest zamknięty. Czynnik chłodniczy nie wpływa na zubożenie warstwy ozonowej, ale zgodnie z Protokołem z Kioto należy do gazów cieplarnianych, w związku z czym w razie jego uwolnienia do atmosfery może się przyczynić do globalnego ocieplenia. Dlatego napełnianie układu czynnikiem chłodniczym i jego opróżnianie mogą przeprowadzać wyłącznie wyszkoleni technicy z licencją na pracę z czynnikami chłodniczymi. Czynnika chłodniczego w urządzeniu nie trzeba uzupełniać, jeśli jest eksploatowane prawidłowo, a układ chłodniczy nie jest uszkodzony. Współczynnik ocieplenia globalnego: R290: 3

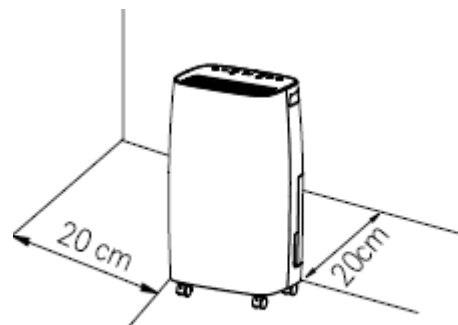
-  **OSTRZEŻENIE:** Aby uniknąć przegrzania, nie przykrywaj grzejnika.

OPIS CZĘŚCI

1. Panel sterowania
2. Kratki nawiewu
3. Osłona filtra
4. Filtr powietrza
5. Zbiornik drenażowy
6. Wylot wody
7. Wąż odpływowy

PRZED PIERWSZYM UŻYCIEM

- Przed rozpakowaniem ustaw urządzenie pionowo.
- Urządzenie i akcesoria należy wyjąć z pudełka. Usuń z urządzenia naklejki, folię ochronną lub elementy plastikowe.
- Przed pierwszym użyciem urządzenia należy wytrzeć wszystkie wyjmowane części wilgotną szmatką. Nigdy nie należy używać szorstkich środków czyszczących.
- Upewnij się, że urządzenie nie stoi w pobliżu obiektów, które mogą zakłócić pobór powietrza, takich jak meble lub zasłony, ponieważ zakłócenia przepływu powietrza znacznie obniżają wydajność urządzenia.
- Nie ustawiaj i nie używaj urządzenia w wąskiej przestrzeni.
- Nie ustawiaj urządzenia w bezpośrednim świetle słonecznym, ponieważ może się przegrzać i wyłączyć, a obudowa wyblaknie.
- Między urządzeniem i innymi obiektami należy zachować odległość co najmniej 20 cm.

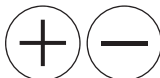


- Kabel zasilający należy podłączyć do gniazda elektrycznego. (Uwaga: Przed podłączeniem urządzenia należy sprawdzić, czy napięcie wskazane na urządzeniu odpowiada napięciu sieci lokalnej. Napięcie 220V-240V 50Hz).

KORZYSTANIE Z PANELU STEROWANIA



- **Moc** - Dotknij jeden raz, aby wyłączyć urządzenie. Dotknij ponownie, aby przełączyć urządzenie w tryb czuwania.
- **Wskaźnik zasilania** – Świeci się, gdy urządzenie jest podłączone do zasilania.



- **Plus i minus** – Dotknij ikony + lub –, aby wydłużyć lub skrócić czas w zakresie od 1 do 24 godzin lub dostosować poziom wilgotności w zakresie od 40% do 80% w przedziale 5%.



- **Prędkość wentylatora** - Dotknij, aby przełączyć pomiędzy DUŻĄ a NISKĄ prędkością wentylatora.
- **Wskaźniki prędkości wentylatora** – Wskazuje wybraną prędkość wentylatora.



- **Wilgotność** Dotknij ikony + lub –, aby zmniejszyć lub zwiększyć poziom wilgotności w zakresie od 40% do 80% w przedziale 5%. Po pracy przez pewien czas w otoczeniu, w którym poziom wilgotności jest o 2 % niższy niż wybrany poziom wilgotności, sprężarka zatrzyma się, a wentylator będzie następnie działał przez 3 minuty przed zatrzymaniem. Kiedy poziom wilgotności otoczenia jest równy lub wyższy od wybranej wilgotności o 2%, sprężarka uruchomi się ponownie po 3 minutach.



Wyświetlacz wilgotności i zegara – Kiedy urządzenie jest włączone, wyświetla aktualny poziom wilgotności w pomieszczeniu. Po dostosowaniu poziomu wilgotności wybrana wartość będzie migać na wyświetlaczu, a następnie wyświetlony zostanie aktualny poziom wilgotności. Kiedy poziom wilgotności w pomieszczeniu jest niższy niż 35%, wyświetli „35”. Kiedy poziom wilgotności w pomieszczeniu jest wyższy niż 95%, wyświetli „95”. Podczas ustawiania timera, timer będzie migać krótko na wyświetlaczu, a następnie będzie wyświetlany przez kilka sekund, zanim wyświetlacz powróci do wyświetlania aktualnego poziomu wilgotności.



- **Timer** - aby ustawić zaplanowany czas włączenia lub przejścia urządzenia w stan czuwania.
- **Wskaźnik timera** – Świeci się, gdy timer jest włączony.
Timer można ustawić w zakresie od 1 do 24 godzin.
- Aby ustawić czas włączenia urządzenia, kiedy znajduje się ono w trybie czuwania, dotknij ikony timera. Zaświeci się wskaźnik timera. Użyj następnie użyj ikon + oraz -, aby ustawić godzinę. Czas na wyświetlaczu będzie migać przez 5 sekund, a następnie się zatrzyma. Wskaźnik czasu pozostanie podświetlony do momentu włączenia urządzenia.
- Aby ustawić czas wyłączenia urządzenia, kiedy działa, dotknij ikony timera. Zaświeci się wskaźnik timera. Użyj następnie użyj ikon + oraz -, aby ustawić godzinę. Czas na wyświetlaczu będzie migać przez 5 sekund, zanim powróci do wyświetlania aktualnej temperatury w pomieszczeniu. Wskaźnik czasu pozostanie podświetlony do momentu wyłączenia urządzenia.
- Aby anulować ustawianie timera, dotknij dwukrotnie ikony timera. Wskaźnik timera wyłączy się i nie będzie już aktywny.

Uwaga: Zaprogramowany czas nie zmieni się, jeśli urządzenie przestanie działać z powodu pełnego zbiornika lub podczas odszraniania.



- **Zabezpieczenie przed dziećmi** - Dotknij i przytrzymaj ikonę zabezpieczenia przed dziećmi przez 5 sekund, aby aktywować funkcję blokady. Wszystkie pozostałe funkcje nie będą działać po aktywacji. Aby wyłączyć zabezpieczenie przed dziećmi, dotknij ikony blokady ponownie przez 5 sekund.
- **Wskaźnik zabezpieczenia przed dziećmi** – Świeci się, kiedy zabezpieczenie przed dziećmi jest włączone.
- **PEŁNY ZBIORNIK wskaźnik** – Kiedy zbiornik drenażowy jest pełny, zaświeci się wskaźnik zapelnienia. Urządzenie przestanie działać i wyda 15 sygnałów dźwiękowych, aby ostrzec użytkownika, że należy opróżnić zbiornik drenażowy > postępuj zgodnie ze wskazówkami w instrukcji „Opróżnianie zbiornika drenażowego”.

UŻYTKOWANIE

- Podłącz urządzenie do uziemionego gniazdka. Urządzenie wyda jeden sygnał dźwiękowy, zaświeci się wskaźnik zasilania.
- Dotknij ikony zasilania, aby włączyć urządzenie. Wentylatory zaczną działać, a na wyświetlaczu pojawi się aktualny poziom wilgotności.
- W razie potrzeby można wykonać czynności opisane w sekcji „Korzystanie z panelu sterowania”, aby ustawić timer, dostosować prędkość wentylatora lub poziom wilgotności.
- Ponownie dotknij ikony zasilania, aby przełączyć urządzenie w tryb czuwania.
- Odłącz urządzenie od zasilania, kiedy nie jest używane.

Praca w niskiej temperaturze z automatycznym odszranianiem

Kiedy urządzenie pracuje w pomieszczeniu o temp. od 5°C do 12°C automatycznie zatrzyma się co 30 minut w celu odszraniania. Kiedy urządzenie pracuje w pomieszczeniu o temp. od 12° do 20°C zatrzyma się co 45 minut w celu odszraniania.

CIĄGŁE ODPROWADZANIE WODY

Urządzenie posiada port do ciągłego odprowadzania wody.

- Otwórz zbiornik i podłącz jeden koniec dostarczonego węża do wylotu wody wewnątrz zbiornika drenażowego i pozwól, aby zebrana woda spływała w sposób ciągły.



OPRÓŻNIANIE ZBIORNIKA DRENAŻOWEGO

Kiedy zbiornik drenażowy jest pełny, zaświeci się wskaźnik zapelnienia. Urządzenie przestanie działać i wyda 15 sygnałów dźwiękowych, aby ostrzec użytkownika, że należy opróżnić zbiornik drenażowy.

- Lekko naciśnij boki zbiornika obiema rękami i delikatnie wyciągnij go.
- Wyjmij zbiornik drenażowy i wylej wodę.

Jeśli zbiornik jest brudny, umyj go zimną lub letnią wodą. Nie używaj detergentów, zmywaków, chemicznie nasączonych ściereczek do kurzu, benzyny, benzenu, rozcieńczalników ani innych rozpuszczalników, ponieważ mogą one porysować i uszkodzić zbiornik oraz spowodować wyciek wody.

- Umieść zbiornik drenażowy z powrotem w urządzeniu. Podczas wymiany zbiornika drenażowego, mocno dociśnij zbiornik obiema rękami. Jeśli zbiornik nie zostanie prawidłowo umieszczony, czujnik „PEŁNY ZBIORNIK” włączy się i urządzenie nie będzie działać.



Uwaga: Nie wyjmuj pływaka ze zbiornika wody. Czujnik zapelnienia nie będzie mógł prawidłowo wykryć poziomu wody bez pływaka i woda może wyciekać ze zbiornika wody.



CZYSZCZENIE I KONSERWACJA

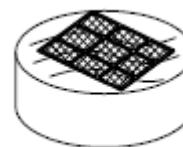
- Pamiętaj, aby przed czyszczeniem odłączyć urządzenie od gniazdka.
- Najpierw oczyść powierzchnię neutralnym detergentem i wilgotną szmatką, następnie wytrzyj suchą szmatką.
- Do czyszczenia urządzenia nie używaj benzyny ani innych środków chemicznych.

CZYSZCZENIE FILTRA

- Odłącz urządzenie od zasilania przed czyszczeniem.
- Otwórz osłonę filtra i wyjmij go.



- Delikatnie odkurz filtr, aby usunąć wszelkie zabrudzenia. Jeśli filtr jest wyjątkowo zabrudzony, umyj go ciepłą wodą z łagodnym środkiem czyszczącym i dokładnie osusz.



- Włóż filtr pod osłonę i przymocuj z powrotem do urządzenia.

ROZWIĄZYWANIE PROBLEMÓW

Problem	Możliwa przyczyna	Sugerowane rozwiązanie
---------	-------------------	------------------------

Urządzenie nie działa.	Czy przewód zasilający został prawidłowo podłączony?	Podłącz wtyczkę do gniazdka.
	Świeci się kontrolka wskaźnika zapelnienia (zbiornik na wodę jest pełny lub nie znajduje się we właściwym miejscu).	Wylej wodę ze zbiornika
	Temperatura w pomieszczeniu przekracza 35 stopni lub wynosi poniżej 7 stopni.	Zabezpieczenie jest włączone i nie można uruchomić urządzenia.
	Czy zabezpieczenie przed dziećmi jest włączone?	Jeśli zabezpieczenie przed dziećmi jest włączone, odblokuj je, dotykając i przytrzymując przycisk blokady przez 5 sekund.
Nie można uruchomić funkcji osuszania.	Czy filtr jest zablokowany?	Wyczyść filtr zgodnie z instrukcjami czyszczenia.
	Czy wlot lub wylot powietrza jest zablokowany?	Usuń przeszkodę z wlotu lub wylotu powietrza.

Urządzenie wydaje dźwięki.	Czy urządzenie jest przechylone lub niestabilne?	Przenieś urządzenie na płaską, poziomą powierzchnię.
	Czy filtr jest zablokowany?	Wyczyść filtr powietrza zgodnie z instrukcjami czyszczenia.
Urządzenie nie odprowadza powietrza	Czy filtr jest zablokowany?	Wyczyść filtr powietrza zgodnie z instrukcjami czyszczenia.

PRZECHOWYWANIE

- Wylej wodę ze zbiornika.
- Zwiń kabel zasilający.
- Wyczyść filtr.
- Przechowuj urządzenie w chłodnym i suchym miejscu.

DEKLARACJA ZGODNOŚCI

Niniejszym Tristar Europe deklaruje, że urządzenie radiowe typu spełnia dyrektywę 2014/53/WE.

Pełen tekst deklaracji zgodności WE jest dostępny na stronie internetowej pod adresem: http://www.tristar.eu/tristar_group/download_center

PRODUKT LUB SPRZĘT ZAWIERA FLUOROWANY GAZ CIEPLARNIANY.

Nr art. DH-5419

Czynnik chłodniczy: R290

Ilość czynnika w kg: 45 g

Potencjał globalnego ocieplenia: 3

Ekwiwalent CO₂ w tonach: 0,000135

ŚRODOWISKO



Po zakończeniu eksploatacji urządzenia nie należy wyrzucać go wraz z odpadami domowymi. Urządzenie to powinno zostać zutylicowane w centralnym punkcie recyklingu domowych urządzeń elektrycznych i elektronicznych. Ten symbol znajdujący się na urządzeniu, w instrukcjach użytkowania i na opakowaniu oznacza ważne kwestie, na które należy zwrócić uwagę. Materiały, z których wytworzono to urządzenie, nadają się do przetworzenia. Recykling zużytych urządzeń gospodarstwa domowego jest znaczącym wkładem użytkownika w ochronę środowiska. Należy skontaktować się z władzami lokalnymi, aby uzyskać informacje dotyczące punktów zbiórki odpadów.

Wsparcie

Wszelkie informacje i części zamienne są dostępne na stronie service.tristar.eu.

BEZPEČNOST

- Pozorně si přečtete tuto uživatelskou příručku, abyste zajistili správné používání, údržbu a instalaci spotřebiče.
- Při ignorování bezpečnostních pokynů nemůže být výrobce odpovědný za případná poškození.
- Spotřebič je určen pouze pro použití ve vnitřních prostorách.
- Nepřipojujte spotřebič k elektrickým zásuvkám, které jsou opravovány nebo nejsou instalovány správným způsobem.
- Jednotku nepoužívejte:
 - v blízkosti ohně.
 - v prostorách, kde hrozí stříkající olej.
 - na přímém slunečním světle.
 - v prostorách, kde hrozí stříkající voda.
 - v blízkosti vany, sprchy nebo bazénu.
- Nikdy nestrkejte prsty ani žádný předmět do vzduchového výstupu. Obzvláště upozorněte na tato nebezpečí děti.
- Během přepravy nebo skladování by měla jednotka stát.
- Jednotku před čistěním nebo přemístěním vždy vypněte nebo odpojte od zdroje napájení.
- Pokud je napájecí kabel poškozen, musí být vyměněn výrobcem, jeho servisním zástupcem nebo podobně kvalifikovanou osobou, aby se předešlo možným rizikům.
- Nikdy spotřebič nepřenášejte tažením za přívodní šňůru a ujistěte se, že se kabel nemůže zamotat.
- Spotřebič musí být umístěn na stabilním a rovném povrchu.
- Tento spotřebič lze použít pouze v domácnosti za účelem, pro který byl vyroben.
- Spotřebič se musí instalovat v souladu s vnitrostátními předpisy pro zapojení.
- Poznámky:
 - Dojde-li k poškození některých součástí, kontaktujte prodejce nebo autorizovaného opravce.
 - Dojde-li k poškození, vypněte jednotku, odpojte napájecí kabel a kontaktujte prodejce nebo autorizovaného opravce.
 - Napájecí kabel musí být v každém případě řádně uzemněn.
- Tento spotřebič nesmí používat děti mladších 8 let. Tento spotřebič mohou osoby starší 8 let a lidé se sníženými fyzickými, smyslovými nebo mentálními schopnostmi či

nedostatkem zkušeností a znalostí používat, pouze pokud jsou pod dohledem nebo dostali instrukce týkající se bezpečného použití přístroje a rozumí možným rizikům. Děti si nesmí hrát se spotřebičem. Udržujte spotřebič a kabel mimo dosahu dětí mladších 8 let. Čištění a údržbu nemohou vykonávat děti, které jsou mladší 8 let a bez dozoru.

Varování!

- Abyste se ochránili před elektrickým výbojem, nepoňujte napájecí kabel, zástrčku či spotřebič do vody či jiné tekutiny.
- Spotřebič se musí skladovat v místnosti bez trvale zapnutých zdrojů vznícení (např. otevřený oheň, zapnutý plynový spotřebič nebo zapnutý elektrický ohřívač).
- Spotřebič nepropichujte ani nevhazujte do ohně.
- Pamatujte, že chladiva mohou být bez zápachu.
- Opravu nebo údržbu jednotky nechte provést u autorizovaného opravce.
- Za napájecí kabel netahejte, nedeformujte ho, neupravujte ho a ani ho nepoňujte do vody. Tahání nebo nesprávná manipulace s

napájecím kabelem mohou způsobit poškození jednotky a úraz elektrickým proudem.

- Dodržujte vnitrostátní předpisy týkající se používání plynů.
- Ventilační otvory ničím nezakrývejte.
- Každá osoba, která provádí práce nebo zásahy na okruhu s chladičem, musí mít platný certifikát vystavený akreditovaným orgánem, který potvrzuje, že je kompetentní bezpečně manipulovat s chladičem podle obecně platných nařízení v odvětví.
- Opravy se musí vždy provádět pouze podle doporučení vydaných výrobcem spotřebiče. Údržba a opravy, které vyžadují asistenci druhé vyškolené osoby, se musí provádět pod dohledem osoby způsobilé k manipulaci s hořlavými chladiči.
- S výjimkou případů, kdy z jednotky vycházejí neobvyklé zvuky, podivný zápach nebo kouř, nevypínejte spuštěnou jednotku odpojením napájecího kabelu. Mohlo by dojít k úrazu elektrickým proudem nebo k požáru v důsledku vzniklého tepla.
- Pokud je z jednotky cítit zápach, vydává divné zvuky nebo z ní vychází kouř, odpojte ji od napájení.



Upozornění

- Zajistěte, aby byl spotřebič vždy dobře odvětráván, tzn. aby vstupní a výstupní ventilační otvory nebyly nijak blokovány.
- Používejte tuto jednotku pouze na vodorovných místech, aby nedošlo k úniku vody.
- Nepoužívejte tuto jednotku ve výbušném nebo korozivním prostředí.
- Používejte tuto jednotku v prostředí s teplotou nejvýše 35 °C.
- Když jednotku vypnete, před znovu zapnutím počkejte alespoň 3,5 minuty. Důvodem je ochrana kompresoru před poškozením.
- Nezapojujte jednotku přes prodlužovací kabel, aby nedošlo k výpadku napájení v domácnosti.

Chladivo


Specifické informace o spotřebičích používajících chladivo R 290.

- Pozorně si přečtete všechna varování.

- Když spotřebič odmrazujete a čistíte, nepoužívejte žádné jiné nástroje, než které jsou doporučeny výrobcem.
- Spotřebič nesmí být umístěn na místa s trvalým zdrojem vznícení (např. otevřený oheň, zapnuté plynové nebo elektrické spotřebiče).
- Spotřebič nepropichujte ani nevhazujte do ohně.
- Tento spotřebič obsahuje Y gramů (viz štítek na zadní straně jednotky) chladiva R290.
- R290 je chladivo, které vyhovuje nařízením EU o ochraně životního prostředí. Nepropichujte žádnou část okruhu s chladivem.
- Pokud je spotřebič instalován, provozován nebo uskladněn na nevětraném místě, místnost musí být uzpůsobena tak, aby v ní nedocházelo k hromadění uniklého chladiva. To by mohlo způsobit nebezpečí vzniku požáru nebo výbuchu chladiva v důsledku používání elektrických ohříváčů, kamen nebo jiných zdrojů vznícení.
- Spotřebič musí být uskladněn takovým způsobem, aby se předešlo mechanickému poškození.

- Osoby, které provádí práce nebo zásahy na okruhu s chladivem, musí mít platný certifikát vystavený akreditovaným orgánem, který potvrzuje, že jsou kompetentní manipulovat s chladivem podle platných nařízení v odvětví.
- Opravy se musí provádět podle doporučení výrobce. Údržba a opravy, které vyžadují asistenci druhé vyškolené osoby, se musí provádět pod dohledem osoby způsobilé k manipulaci s hořlavými chladivy.

(CE) N 842/2006: Tato jednotka obsahuje chladivo R290. Množství chladiva je menší než 1 kg a koluje v uzavřeném okruhu. Chladivo nemá žádný dopad na ozónovou vrstvu, ale spadá do tzv. skleníkových plynů podle Kjótského protokolu, a proto může přispívat ke globálnímu oteplování, když je uvolněno do ovzduší. Z toho důvodu chladivo mohou plnit nebo vypouštět pouze kvalifikované osoby s příslušnou certifikací. Váš spotřebič nevyžaduje doplňování chladiva, pokud je používán správným způsobem a nemá poškozený chladicí okruh. GWP: R290: 3

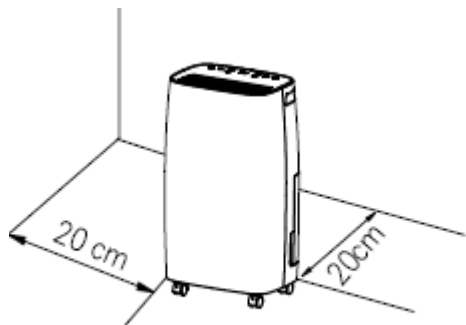
-  **VAROVÁNÍ:** Aby se předešlo přehřátí, ohřívač nezakrývejte.

POPIS DÍLŮ

1. Ovládací panel
2. Dvířka vývodu vzduchu
3. Kryt filtru
4. Vzduchový filtr
5. Nádrž na vodu
6. Výpust vody
7. Výpustná hadička

PŘED PRVNÍM POUŽITÍM

- Před rozbalením jednotku řádně postavte.
- Spotřebič a příslušenství vyjměte z krabice. Ze spotřebiče odstraňte nálepky, ochrannou fólii nebo plast.
- Před prvním použitím tohoto spotřebiče otřete všechny odnímatelné součásti vlhkým hadříkem. Nikdy nepoužívejte brusné čisticí prostředky.
- Zkontrolujte, že jednotka není umístěna před objekty, které brání vstupu vzduchu, např. nábytek nebo záclony, jinak by byla výrazně ovlivněna její funkčnost.
- Jednotku neumísťujte nebo neprovozujte na stísněných místech.
- Neumisťujte jednotku na přímé slunce, jinak by se mohla vypnout v důsledku přehřátí nebo by brzy mohla vyblednout její barva.
- Mezi jednotkou a stěnou či jinými překážkami musí být vzdálenost alespoň 20 cm.

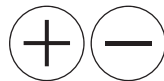


- Napájecí kabel zapojte do zásuvky. (Poznámka: Před zapojením spotřebiče zkontrolujte, zda napětí uvedené na spotřebiči odpovídá místnímu síťovému napětí. Napětí 220V-240V 50Hz).

POUŽITÍ OVLÁDACÍHO PANELU



- **Zapnutí** – Jedním stisknutím zařízení zapnete, dalším stisknutím je přepnete do úsporného režimu.
- **Kontrolka zapnutí** – Rozsvítí se, když se zařízení zapojí do sítě.



- **Plus a minus** – Pomocí ikon + a – můžete zvyšovat či snižovat čas v rozmezí 1–24 hodin, nebo nastavovat úroveň vlhkosti na 40 % až 80 % postupně po 5 %.



- **Rychlost větrání** – Stiskněte regulační spínač mezi rychlostmi HIGH (vysoká) a LOW (nízká).
- **Kontroly rychlosti větrání** – Značí zvolenou rychlost větrání.



- **Vlhkost** – Nejprve stiskněte ikonu, abyste mohli měnit vlhkost, poté můžete pomocí ikon + a – zvyšovat či snižovat úroveň vlhkosti na 40 % až 80 % postupně po 5 %.

Po určité době provozu v prostředí, kde je úroveň vlhkosti o 2 % nižší než zvolená vlhkost, se zastaví kompresor, větrání bude ještě 3 minuty pokračovat a pak se rovněž zastaví. Je-li vlhkost prostředí stejná jako zvolená vlhkost nebo o 2 % vyšší, zapne se kompresor opět po 3 minutách.



Displej s časem a vlhkostí – Po zapnutí zařízení se na displeji zobrazí aktuální úroveň vlhkosti v místnosti. Po nastavení úrovně vlhkosti na displeji krátce zabliká zvolená vlhkost a poté se na něm opět zobrazí aktuální vlhkost.

Je-li úroveň vlhkosti v místnosti nižší než 35 %, zobrazí se na displeji „35“. Je-li úroveň vlhkosti v místnosti vyšší než 95 %, zobrazí se na displeji „95“.

Po nastavení časovače čas na displeji krátce zabliká, poté na něm zůstane několik sekund zobrazen a poté se na displeji opět zobrazí aktuální úroveň vlhkosti.



- **Časovač** – Slouží k nastavení času, kdy se má zařízení zapnout či přepnout do úsporného režimu.
- **Kontrolka času** – Rozsvítí se po aktivaci časovače. Časovač lze nastavit na 1–24 hodin.
- Chcete-li nastavit čas zapnutí zařízení, když je v úsporném režimu, stiskněte ikonu časovače. Rozsvítí se kontrolka časovače a vy můžete následně nastavit čas pomocí ikon + a -. Čas bude na displeji 5 sekund blikat, poté se zastaví. Kontrolka času zůstane rozsvícená, dokud se zařízení nezapne.
- Chcete-li nastavit čas vypnutí zařízení, když je v provozu, stiskněte ikonu časovače. Rozsvítí se kontrolka časovače a vy můžete následně nastavit čas pomocí ikon + a -. Čas bude na displeji 5 sekund blikat, poté se na displeji opět zobrazí aktuální teplota v místnosti. Kontrolka času zůstane rozsvícená, dokud se zařízení nevyprázdní.

- Chcete-li zrušit nastavení času, stiskněte dvakrát ikonu časovače. Kontrolka času zhasne a časovač bude deaktivován.

Poznámka: Nastavený čas se nezmění, pokud zařízení zastaví svou činnost v důsledku plné nádrže či při rozmrazování.



- **Dětská pojistka** – Podržením ikony dětské pojistky na 5 sekund aktivujete zámek. Při aktivaci dětské pojistky nebudou k dispozici žádné další funkce. Dětskou pojistku opět deaktivujete podržením ikony po dobu 5 sekund.
- **Kontrolka dětské pojistky** – Rozsvítí se po aktivaci dětské pojistky.
- **kontrolka PLNÉ NÁDRŽE** – Je-li nádrž s vodou plná, rozsvítí se kontrolka plné nádrže, zařízení se zastaví a 15krát zapípá, aby uživatele upozornilo, že je potřeba vyprázdnit vodu z nádrže > postupujte podle pokynů v tomto návodu v kapitole „Vypouštění nádrže na vodu“.

POUŽITÍ

- Zapojte zařízení do uzemněné zásuvky. Zařízení jednou zapípá a rozsvítí se kontrolka zapnutí.
- Zařízení zapnete stisknutím ikony zapnutí, poté začnou fungovat ventilátory a na displeji se zobrazí aktuální hodnota vlhkosti.
- Pokud chcete, můžete podle postupu v kapitole „Použití ovládacího panelu“ nastavit časovač, rychlost větrání či úroveň vlhkosti.

- Opětovným stisknutím ikony zapnutí přepnete zařízení do úsporného režimu.
- Pokud zařízení nepoužíváte, vypojte je ze zásuvky.

Provoz za nízké teploty s automatickým rozmrazením

Je-li zařízení v provozu v místnosti, kde je teplota mezi 5 °C a 12 °C, zastaví se automaticky každých 30 sekund a provede rozmrazení.

Je-li zařízení v provozu v místnosti, kde je teplota mezi 12 °C a 20 °C, zastaví se automaticky každých 45 sekund a provede rozmrazení.

PRŮBĚŽNÉ VYPOUŠTĚNÍ VODY

Zařízení zahrnuje port na průběžné vypouštění vody.

- Otevřete nádrž a připevněte jeden konec dodané hadičky k výpusti vody uvnitř nádrže, tím nashromážděné vodě umožníte, aby průběžně odtékala.



VYPOUŠTĚNÍ NÁDRŽE NA VODU

Je-li nádrž s vodou plná, rozsvítí se kontrolka plné nádrže, zařízení se automaticky zastaví a 15krát zapípá, aby uživatele upozornilo, že je potřeba vyprázdnit vodu z nádrže.

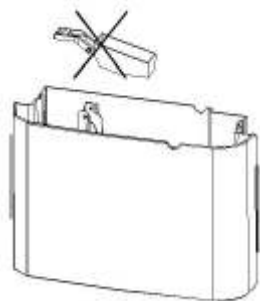
- Lehce nádrž oběma rukama stiskněte po stranách a opatrně ji vytáhněte.
- Vysuňte nádrž a vylijte z ní vodu.

Je-li nádrž na vodu špinavá, omyjte ji studenou či vlažnou vodou. Nepoužívejte čisticí prostředky, drátěnky, chemicky ošetřené hadříky na prach, benzin, benzen, ředidla ani jiná rozpouštědla, protože by mohla nádrž poškrábat či jinak poničit, což by mohlo následně vést k úniku vody.

- Zasuňte nádrž na vodu zpět do zařízení. Při vracení nádrží na vodu zatlačte napevno oběma rukama. Není-li nádrž správně zasunuta na místo, aktivuje se senzor „PLNÁ NÁDRŽ“ a zařízení nebude fungovat.



Poznámka: Neodstraňujte z nádrže na vodu plovák. Bez plováku nemůže senzor správně zjišťovat hladinu vody v nádrži a voda může z nádrže unikat.



ČIŠTĚNÍ A ÚDRŽBA

- Před čištěním odpojte elektrické napájení jednotky.

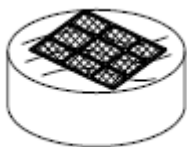
- Nejprve očistěte povrch neutrálním čisticím prostředkem a vlhkou utěrkou a potom jednotku utřete suchou utěrkou.
- Nepoužívejte benzín nebo jiné chemikálie k čištění jednotky.

ČIŠTĚNÍ FILTRU

- Před čištěním zařízení vypojte ze zásuvky.
- Otevřete kryt filtru a vyjměte filtr.



- Opatrně z filtru vysajte všechny nečistoty. Je-li filtr výrazně znečištěn, omyjte ho teplou vodou s šetrným čisticím prostředkem a důkladně vysušte.



- Nasadte filtr zpět na kryt a umístěte ho zpět na zařízení.

ŘEŠENÍ POTÍŽÍ

Problém	Možné příčiny	Navrhované řešení
Zařízení nefunguje.	Je síťový kabel správně zapojen?	Zapojte síťový kabel do zásuvky.
	Svítil kontrolka plné nádrže (nádrž na vodu je plná nebo není správně zasunutá).	Vypusťte z nádrže vodu
	Teplota v místnosti je vyšší než 35 stupňů nebo nižší než 7 stupňů.	Je aktivováno ochranné zařízení a zařízení nejde zapnout.
	Je zapnutá dětská pojistka?	Je-li zapnutá dětská pojistka, deaktivujte ji stisknutím ikony dětské pojistky a jejím podržením po dobu 5 sekund.

Nelze zapnout funkci odvlhčení.	Je zablokovaný filtr?	Vyčistěte filtr dle pokynů pro čištění.
	Je zablokovaný vstup či výstup vzduchu?	Vyjměte to, co blokuje vstup či výstup vzduchu.
Zařízení je hlučné.	Je přístroj nakloněný?	Přesuňte přístroj na rovný, horizontální povrch.
	Je zablokovaný filtr?	Vyčistěte vzduchový filtr dle pokynů pro čištění.
Nevypouští se žádný vzduch	Je zablokovaný filtr?	Vyčistěte vzduchový filtr dle pokynů pro čištění.

USKLADNĚNÍ

- Vypusťte vodu z nádržky.
- Smotejte napájecí kabel.
- Vyčistěte filtr.
- Jednotku uložte na chladném a suchém místě.

PROHLÁŠENÍ O SHODĚ

Společnost Tristar Europe tímto prohlašuje, že rádiové zařízení typu splňuje směrnici 2014/53/EU.

Celý text prohlášení o shodě EU je k dispozici na webové adrese:

http://www.tristar.eu/tristar_group/download_center

VÝROBEK OBSAHUJE FLUOROVANÝ SKLENÍKOVÝ PLYN.

Č. výt. DH-5419

Chladicí látka: R290

Množství v kg: 45 g

Potenciál globálního oteplování: 3

Ekvivalent množství CO₂ v tunách: 0,000135

PROSTŘEDÍ



Tento spotřebič by neměl být po ukončení životnosti vyhazován do domovního odpadu, ale musí být dovezen na centrální sběrné místo k recyklaci elektroniky a domácích elektrických spotřebičů. Symbol na spotřebiči, návod k obsluze a obal vás na tento důležitý problém upozorňují. Materiály použité v tomto spotřebiči jsou recyklovatelné. Recyklací použitých domácích spotřebičů významně přispějete k ochraně životního prostředí. Na informace vztahující se ke sběrnému místu se zeptejte na místním obecním úřadě.

Podpora

Všechny dostupné informace a náhradní díly naleznete na service.tristar.eu!

BEZPEČNOSŤ

- Prečítajte si pozorne tento návod, aby sa zabezpečilo správne používanie, údržba a inštalácia.
- V prípade ignorovania týchto bezpečnostných pokynov sa výrobca vzdáva akejkoľvek zodpovednosti za vzniknutú škodu.
- Zariadenie je len na vnútorné použitie.
- Nepoužívajte jednotku so zásuvkou, ktorá sa opravuje alebo nie je správne nainštalovaná.
- Zariadenie nepoužívajte:
 - v blízkosti zdroja ohňa.
 - na mieste, kde môže dôjsť k postriekaniu olejom.
 - na mieste vystavenom priamemu slnečnému žiareniu.
 - na mieste, kde môže striekať voda.
 - v blízkosti vane, sprchy alebo bazéna.
- Nikdy nedávajte prsty ani iné predmety do vetracích otvorov. Špeciálne dbajte na varovanie detí pred týmito nebezpečenstvami.
- Jednotku držte smerom hore, keď ju prenášate a skladujete.
- Jednotku pred čistením alebo prenášaním vždy vypnite alebo odpojte napájanie.
- Ak je napájací kábel poškodený, musí ho vymeniť výrobca, jeho servisný technik alebo podobné kvalifikované osoby, aby sa zamedzilo nebezpečenstvu.
- Zariadenie nikdy nepremiestňujte za kábel a dbajte na to, aby sa kábel nestočil.
- Spotrebič je treba umiestniť na stabilnú, rovnú plochu.
- Tento spotrebič sa smie používať iba na špecifikované účely v domácom prostredí.
- Zariadenie by sa malo inštalovať v súlade s národnými predpismi týkajúcimi sa zapojenia vodičov.
- Poznámky:
 - Ak sú nejaké diely poškodené, kontaktujte predajcu alebo určený predajný servis;
 - V prípade akéhokoľvek poškodenia jednotku vráťte, odpojte napájanie a kontaktujte predajcu alebo určený predajný servis.
 - V každom prípade by mal byť napájací kábel pevne uzemnený.
 - Tento spotrebič nesmú používať deti mladších ako 8 rokov. Tento spotrebič smú deti staršie ako 8 rokov a osoby, ktoré majú znížené fyzické, senzorické alebo duševné

schopnosti, alebo osoby bez patričných skúseností a/alebo znalostí používať, iba pokiaľ na nich dozerá osoba zodpovedná za ich bezpečnosť alebo ak ich táto osoba vopred poučí o bezpečnej obsluhu spotrebiča a príslušných rizikách. Deti sa nesmú hrať so spotrebičom. Spotrebič a napájací kábel uchovávajte mimo dosahu detí mladších ako 8 rokov. Čistenie a údržbu nesmú vykonávať deti, ktoré sú mladšie ako 8 rokov a bez dozoru.

Výstraha

- Napájací kábel, zástrčku ani spotrebič neponárajte do vody ani do žiadnej inej kvapaliny, aby sa predišlo úrazu elektrickým prúdom.
- Zariadenie by sa malo uskladniť v miestnosti, kde nie sú v nepretržitej prevádzke zápalné zdroje (napríklad: otvorený oheň, prevádzka plynového zariadenia alebo prevádzka elektrického ohrievača).
- Neprepichute ani nehádzte do ohňa.
- Majte sa na pozore, pretože chladivá nemajú zápach.
- V prípade opravy alebo údržby tejto jednotky kontaktujte autorizovaného servisného technika.
- Nevyťahujte, nedeformujte ani neupravujte napájací kábel, neponárajte ho do vody. Vyťahovanie alebo nesprávne používanie napájacieho kábla môže mať za následok poškodenie jednotky a môže spôsobiť úraz elektrickým prúdom.
- Mala by sa dodržiavať zhoda s národnými nariadeniami týkajúcimi sa plynu.
- Zabráňte zablokovaniu vetracích otvorov.
- Všetky osoby, ktoré sú zapojené do prevádzky alebo odpájania chladiaceho obvodu, by mali byť držiteľmi platného certifikátu od akreditovaného priemyselného úradu, čo im poskytuje spôsobilosť manipulovať s chladiacimi zariadeniami bezpečne a v súlade s priemyselne uznanými a stanovenými špecifikáciami.
- Servis by sa mal vykonávať len na odporúčanie výrobcu zariadenia. Údržba a oprava, ktorá vyžaduje asistenciu iného skúseného personálu by sa mala vykonávať za dozoru osoby kompetentnej na používanie horľavých chladív.

- Jednotku nezastavujte vyťahovaním napájacej zástrčky, kým je v prevádzke, pretože to môže spôsobiť úraz elektrickým prúdom alebo požiar v dôsledku vytvárania tepla, s výnimkou prípadov, keď je počuť neobvyklé zvuky alebo cítiť neobvyklý zápach alebo sa na jednotke objaví dym.
- Ak z jednotky vychádzajú zvláštne zvuky, zápach alebo dym, odpojte ju.



Upozornenie

- Ubezpečte sa, či je výrobok nepretržite ventilovaný, ubezpečte sa, či nie je prívod a vývod ventilácie nejakým spôsobom zablokovaný.
- Túto jednotku prevádzkujte na rovnom povrchu, aby ste sa vyhli presakovaniu vody.
- Túto jednotku neprevádzkujte vo výbušnej alebo korozívnej atmosfére.
- Túto jednotku prevádzkujte pri okolitej teplote 35 stupňov alebo menej.

- Keď je jednotka vypnutá, počkajte aspoň 3,5 minúty pred jej reštartovaním. Týmto sa predíde poškodeniu kompresora.
- Aby sa zabránilo výpadku domácej elektriny, nepoužívajte pre túto jednotku predlžovací kábel.

Chladivo

Špecifické informácie, týkajúce sa zariadení s chladiacim plynom R 290.

- Dôkladne si prečítajte všetky varovania.
- Pri rozmrazovaní a čistení zariadenia nepoužívajte žiadne nástroje, iné ako sú odporúčané výrobnou továrňou.
- Zariadenie sa musí umiestniť na miesto, kde nie sú žiadne trvalé zdroje vznietenia (napríklad: otvorený plameň, plyn alebo elektrické zariadenia v prevádzke).
- Neprepichujte ani nehádzte do ohňa.
- Toto zariadenie obsahuje Y g (pozrite si štítky na zadnej časti jednotky) chladiaci plyn R290.
- R290 je chladiaci plyn, ktorý spĺňa európske smernice týkajúce sa životného prostredia. Neprepichujte žiadnu časť chladiaceho obvodu.

- Ak je zariadenie nainštalované, prevádzkované alebo uskladnené v nevetranej oblasti, miestnosť musí byť navrhnutá tak, aby sa predchádzalo kumulovaniu presakovania chladiva, ktoré môže mať za následok riziko požiaru alebo explózie v dôsledku vznietenia chladiva, spôsobeného elektrickými ohrievačmi, kachľami alebo inými zdrojmi vznietenia.
- Zariadenie musí byť uskladnené takým spôsobom, aby sa predišlo mechanickému poškodeniu.
- Jednotlivci, ktorí prevádzkujú alebo pracujú na chladiacom obvode musia mať vhodný certifikát, vydaný akreditovanou organizáciou, ktorá zabezpečuje kompetenciu pri manipulácii s chladivami podľa špecifického vyhodnotenia asociáciami v priemysle.
- Opravy sa musia vykonať na základe odporúčania od výrobnej spoločnosti. Údržba a oprava, ktorá vyžaduje asistenciu iného skúseného personálu by sa mala vykonávať za dozoru osoby kompetentnej na používanie horľavých chladív. Údržba a opravy, ktoré vyžadujú asistenciu iného

kvalifikovaného personálu sa musia vykonať pod dohľadom osoby, špecifikovanej v súvislosti s použitím horľavých chladív.

(CE) N 842/2006: Tento odvlhčovač obsahuje chladivo R290.

Množstvo chladiva je menšie ako 1 kg a je v uzavretom chladiacom obvode. Chladivo má nulový potenciál uvoľňovania ozónu, ale podľa Kjótskeho protokolu patrí medzi takzvané skleníkové plyny a teda môže prispievať ku globálnemu otepľovaniu, ak sa uvoľní do atmosféry. Preto plnenie a vyprázdňovanie môžu vykonávať len školení technici s certifikátom týkajúcim sa chladiarenských zariadení. Vaše zariadenie sa nemusí plniť chladivom, ak sa správne používa a ak nemá poškodenú chladiacu jednotku. GWP: R290: 3



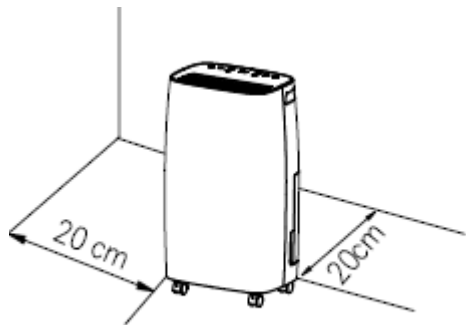
- **VAROVANIE:** Aby ste sa vyhli prehriatiu, ohrievač neprikrývajte.

POPIS DIELOV

1. Ovládací panel
2. Lamely výstupu vzduchu
3. Kryt filtra
4. Vzduchový filter
5. Drenážna nádrž
6. Vývod vody
7. Drenážna hadica

PRED PRVÝM POUŽITÍM

- Pred vybalením dajte jednotku do správnej polohy smerom hore.
- Spotrebič a príslušenstvo vyberte z obalu. Zo spotrebiča odstráňte nálepky, ochrannú fóliu alebo plastové vrečko.
- Pred prvým použitím spotrebiča utrite všetky demontovateľné diely vlhkou handričkou. Nikdy nepoužívajte abrazívne výrobky.
- Zabezpečte, aby jednotka nebola umiestnená oproti objektom, ktoré budú zabraňovať prívodu vzduchu, napr. nábytok alebo závesy, pretože toto môže dramaticky ovplyvniť jej výkonnosť.
- Jednotku nedávajte ani neprevádzkujte na stiesnenom mieste
- Jednotku nedávajte na silné slnko, pretože sa môže vypnúť v dôsledku prehriatia a farba jednotky môže skoro vyblednúť.
- Musí sa dodržať vzdialenosť 20 cm medzi jednotkou a stenou alebo všetkými ostatnými prekážkami.

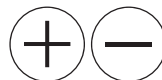


- Napájací kábel zapojte do zásuvky. (Poznámka: Pred zapojením spotrebiča skontrolujte, či napätie uvedené na spotrebiči zodpovedá napätiu siete. Napätie 220V-240V 50Hz).

POUŽÍVANIE OVLÁDACIEHO PANELA



- **Napájanie** - Jedným dotykem zapnete spotrebič, ďalším dotykom prepnete spotrebič do pohotovostného režimu.
- **Indikátor napájania** - Svieta, keď je spotrebič zapojený do siete.



- **Plus a mínus** - Dotknite sa ikon + alebo -, aby ste zvýšili alebo znížili čas v rozmedzí 01-24 hodín alebo nastavili úroveň vlhkosti v rozmedzí 40-80 % s intervalom 5 %.



- **Otáčky ventilátora** - Dotyk prepínať medzi vysokými a nízkymi otáčkami ventilátora.
- **Indikátory otáčok ventilátora** - Indikuje zvolené otáčky ventilátora.



- **Vlhkosť** - Dotknite sa, ak chcete zmeniť úroveň vlhkosti, potom pomocou ikon + a - zvýšte alebo znížte úroveň vlhkosti v rozmedzí od 40 % do 80 % s intervalom 5 %.

Po určitom čase prevádzky v prostredí, v ktorom je úroveň vlhkosti o 2 % nižšia ako zvolená úroveň vlhkosti, sa kompresor zastaví, potom bude ventilátor pokračovať v prevádzke 3 minúty a potom sa zastaví. Ak je vlhkosť prostredia rovnaká alebo vyššia ako zvolená vlhkosť o 2 %, kompresor sa po 3 minútach znovu spustí.



Zobrazenie vlhkosti a časovača - Po zapnutí spotrebiča sa zobrazí aktuálna úroveň vlhkosti v miestnosti. Po nastavení úrovne vlhkosti bude na displeji krátko blikať zvolená vlhkosť a potom sa zobrazí aktuálna úroveň vlhkosti.

Keď je úroveň vlhkosti v miestnosti nižšia ako 35 %, zobrazí sa "35". Keď je úroveň vlhkosti v miestnosti vyššia ako 95 %, zobrazí sa "95". Pri nastavovaní časovača bude časovač na displeji krátko blikať a potom sa na niekoľko sekúnd zobrazí, následne sa displej vráti k zobrazeniu aktuálnej úrovne vlhkosti.



- **Časovač** - na nastavenie plánovaného času zapnutia alebo prechodu do pohotovostného režimu spotrebiča.
- **Indikátor časovača** - Rozsvieti sa, keď je aktivovaný časovač. Časovač je možné nastaviť v rozsahu 01-24 hodín.
- Ak chcete nastaviť čas zapnutia spotrebiča, keď je spotrebič v pohotovostnom režime, dotknite sa ikony časovača, rozsvieti sa indikátor časovača a potom pomocou ikon + a - nastavte čas. Čas na displeji bude blikať 5 sekúnd a potom prestane blikať. Indikátor času zostane rozsvietený, kým sa spotrebič nezapne.
- Ak chcete nastaviť čas vypnutia spotrebiča, počas prevádzky spotrebiča sa dotknite ikony časovača, rozsvieti sa indikátor časovača a potom pomocou ikon + a - nastavte čas. Čas na displeji bude blikať 5 sekúnd a potom sa vráti na zobrazenie aktuálnej teploty v miestnosti. Indikátor času zostane rozsvietený, kým sa spotrebič nevypne.
- Ak chcete zrušiť programovanie časovača, dvakrát sa dotknite ikony časovača, indikátor časovača zhasne a časovač už nebude aktívny.

Poznámka: Naprogramovaný čas zostane nezmenený, ak sa stroj zastaví v dôsledku plnej nádrže alebo počas rozmrazovania.



- **Detský zámok** - Ak chcete aktivovať funkciu detského zámku, dotknite sa ikony detského zámku a podržte ju 5 sekúnd, všetky ostatné funkcie nebudú po aktivácii fungovať, ak chcete detský zámok deaktivovať, dotknite sa ikony detského zámku znova na 5 sekúnd.
- **Indikátor detského zámku** - Svieti, keď je zapnutý detský zámok.
- **WATER FULL (nádrž na vodu je plná) indikátor** - Keď je drenážna nádrž plná, rozsvieti sa indikátor Water Full, spotrebič prestane pracovať a zaznie 15-krát písknutie, ktoré používateľa upozorní, že je potrebné vyprázdniť vodu z drenážnej nádrže > postupujte podľa krokov uvedených v tomto návode "Vyprázdnenie drenážnej nádrže".

POUŽÍVANIE

- Spotrebič zapojte do uzemnenej zásuvky. Spotrebič raz pípne a rozsvieti sa indikátor napájania.
- Dotknite sa ikony napájania, aby ste spotrebič zapli, ventilátory začnú pracovať a na displeji sa zobrazí aktuálna úroveň vlhkosti.
- V prípade potreby môžete postupovať podľa krokov v časti "Používanie ovládacieho panela" a nastaviť časovač, otáčky ventilátora alebo úroveň vlhkosti.
- Opätovným dotykem ikony napájania prepnete spotrebič do pohotovostného režimu.
- Ak spotrebič nepoužívate, odpojte ho zo zásuvky.

Nizkoteplotná prevádzka s automatickým odmrazovaním

Ak je spotrebič v prevádzke v miestnosti s teplotou medzi 5 °C a 12 °C, automaticky sa zastaví každých 30 minút, aby sa rozmrazil.

Ak je spotrebič v prevádzke v miestnosti s teplotou medzi 12 °C a 20 °C, zastaví sa každých 45 minút, aby sa rozmrazil.

PRIEBEŽNÉ ODVÁDZANIE VODY

Spotrebič je vybavený priebežným odtokovým otvorom.

- Otvorte nádrž a pripojte jeden koniec dodanej hadice k vývodu vody vo vnútri vypúšťacej nádrže a nechajte zhromaždenú vodu priebežne odtekať.



VYPRÁZDNIENIE DRENÁŽNEJ NÁDRŽE

Keď je drenážna nádrž plná, rozsvieti sa indikátor Water Full, prevádzka sa automaticky zastaví a zvukový signál 15-krát písknutím upozorní používateľa, že je potrebné vyprázdniť vodu z drenážnej nádrže.

- Zľahka zatlačte oboma rukami na boky nádrže a opatrne ju vytiahnite.
- Vyberte drenážnu nádrž a vylejte vodu.

Ak je drenážna nádrž znečistená, umyte ju studenou alebo vlažnou vodou. Nepoužívajte čistiace prostriedky, čistiace vankúšiky, chemicky ošetrované utierky na prach, benzín, benzén, riedidlo alebo iné

rozpúšťadlá, pretože môžu poškrabať a poškodiť nádrž a spôsobiť únik vody.

- Vložte drenážnu nádrž späť do spotrebiča. Pri vkladaní drenážnej nádrže ju oboma rukami pevne zatlačte na miesto. Ak nádrž nie je správne vložená, aktivuje sa snímač "WATER FULL" a spotrebič nebude fungovať.



Poznámka: Nevyberajte plavák z nádrže na vodu. Snímač plnosti vody bez plaváka už nebude schopný správne rozpoznať hladinu vody a z nádrže môže vyteciť voda.



ČISTENIE A ÚDRŽBA

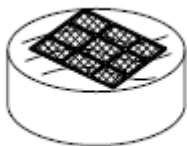
- Pred čistením sa ubezpečte, či je jednotka odpojená od akéhokoľvek elektrického napájania.
- Najprv vyčistite povrch neutrálnym saponátom a vlhkou utierkou a potom utrite suchou utierkou.
- Na čistenie jednotky nepoužívajte gazolín alebo iné chemikálie.

ČISTENIE FILTRA

- Pred čistením spotrebič odpojte od elektrickej siete.
- Otvorte kryt filtra a vyberte filter.



- Filter jemne povysávajte, aby ste odstránili všetky nečistoty. Ak je filter mimoriadne znečistený, umyte ho teplou vodou a jemným čistiacim prostriedkom a dôkladne vysušte.



- Nasadte filter späť na kryt filtra a upevnite ho späť na spotrebič.

RIEŠENIE PROBLÉMOV

Problém	Možné príčiny	Navrhované riešenie
---------	---------------	---------------------

Spotrebič nefunguje.	Je elektrické vedenie správne pripojené?	Zapojte zástrčku do zásuvky.
	Svieti kontrolka Water Full (nádrž na vodu je plná alebo nie je na správnom mieste).	Vylejte vodu z nádrže
	Teplota v miestnosti je vyššia ako 35 stupňov alebo nižšia ako 7 stupňov.	Ochranné zariadenie je aktívne a spotrebič nemožno spustiť.
	Je zapnutý detský zámok?	Ak je detský zámok zapnutý, odomknite ho dotykom a podržaním tlačidla detského zámku na 5 sekúnd.
Funkcia odvlhčovania sa nemôže spustiť.	Je filter upchatý?	Filter vyčistíte podľa pokynov na čistenie.
	Je zablokovaný prívod alebo odvod vzduchu?	Odstráňte prekážku z prívodu alebo odvodu vzduchu.
Spotrebič je hlučný.	Je stroj naklonený?	Stroj premiestnite na rovný, vodorovný povrch.
	Je filter upchatý?	Vzduchový filter vyčistíte podľa pokynov na čistenie.
Nevypúšťa sa žiadny vzduch	Je filter upchatý?	Vzduchový filter vyčistíte podľa pokynov na čistenie.

SKLADOVANIE

- Vypustíte vodu v nádrži.
- Prívodný kábel nerolujte.
- Čistenie filtra.
- Jednotku uchovávajte na chladnom a suchom mieste.

VYHLÁSENIE O ZHODE

Tristar Europe týmto vyhlasuje, že rádiové zariadenie typu je v súlade so smernicou 2014/53/EÚ.

Úplné znenie vyhlásenia o zhode EÚ je k dispozícii na tejto internetovej adrese: http://www.tristar.eu/tristar_group/download_center

PRODUKT ALEBO ZARIADENIE OBSAHUJE FLUÓROVANÉ SKLENÍKOVÉ PLYNY.

Či. č. DH-5419

Chladivo: R290

Množstvo v kg: 45 g

Potenciál globálneho otepľovania: 3

Ekvivalent CO₂ v tonách: 0,000135

ŽIVOTNÉ PROSTREDIE



Tento spotrebič nesmie byť na konci životnosti likvidovaný spolu s komunálnym odpadom, ale musí sa zlikvidovať v recyklačnom stredisku určenom pre elektrické a elektronické spotrebiče. Tento

symbol na spotrebiči, v návode na obsluhu a na obale upozorňuje na túto dôležitú skutočnosť. Materiály použité v tomto spotrebiči je možné recyklovať. Recykláciou použitých domácich spotrebičov výraznou mierou prispievate k ochrane životného prostredia. Informácie o zberných miestach vám poskytnú miestne úrady.

Podpora

Všetky dostupné informácie a náhradné diely nájdete na service.tristar.eu!



WWW.TRISTAR.EU

Tristar Europe B.V. | Jules Verneweg 87
5015 BH Tilburg | The Netherlands