

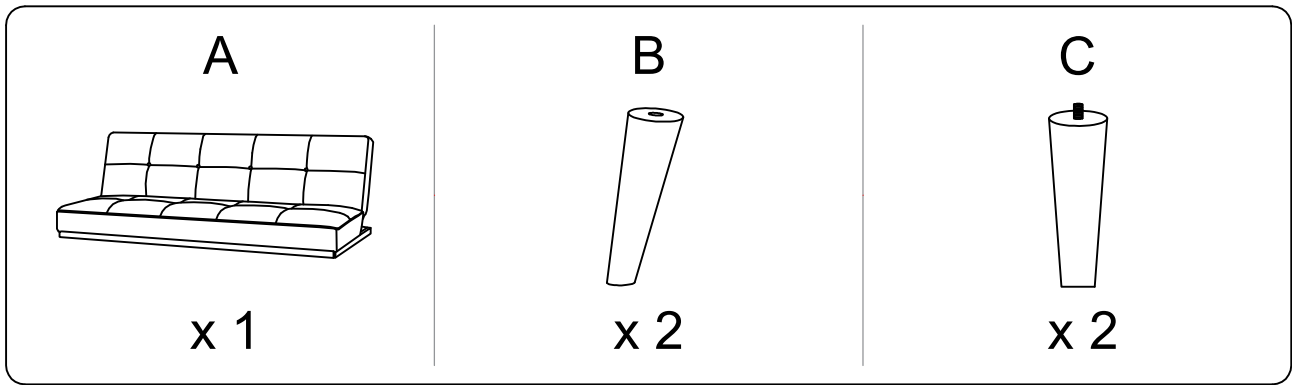
Assembly instructions for the sofa, including warnings and requirements.

Warning 1: Do not use a power drill. Use an Allen key (shown in a circle) to tighten the backrest.

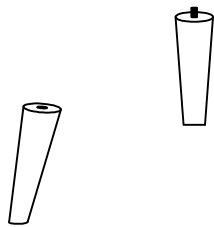
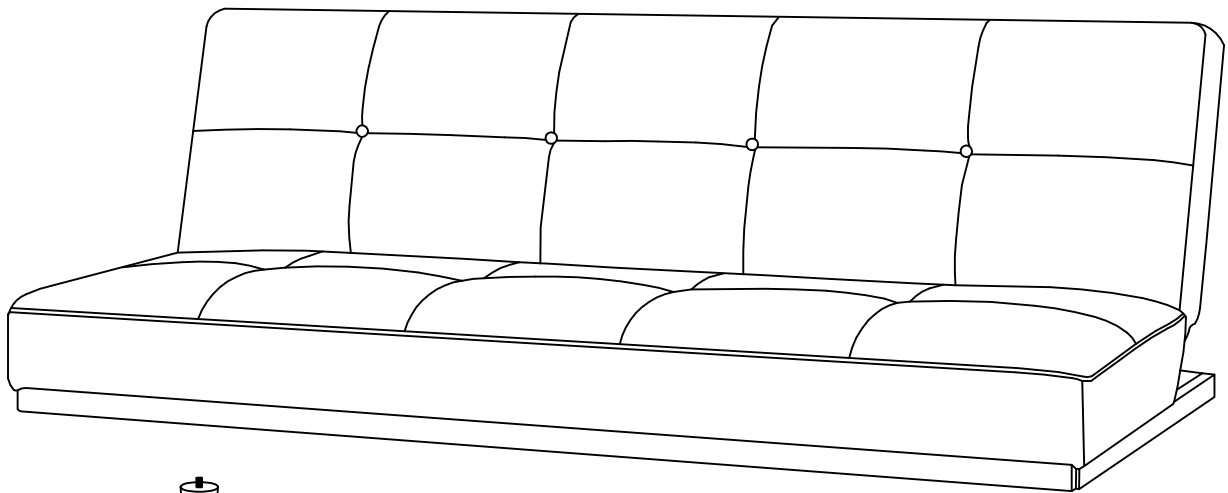
Warning 2: Do not place the sofa on a soft surface like a rug. Place it on a hard, flat surface (shown in a circle).

Time: 15'

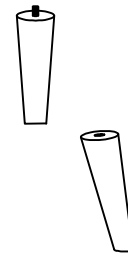
Personnel: 1



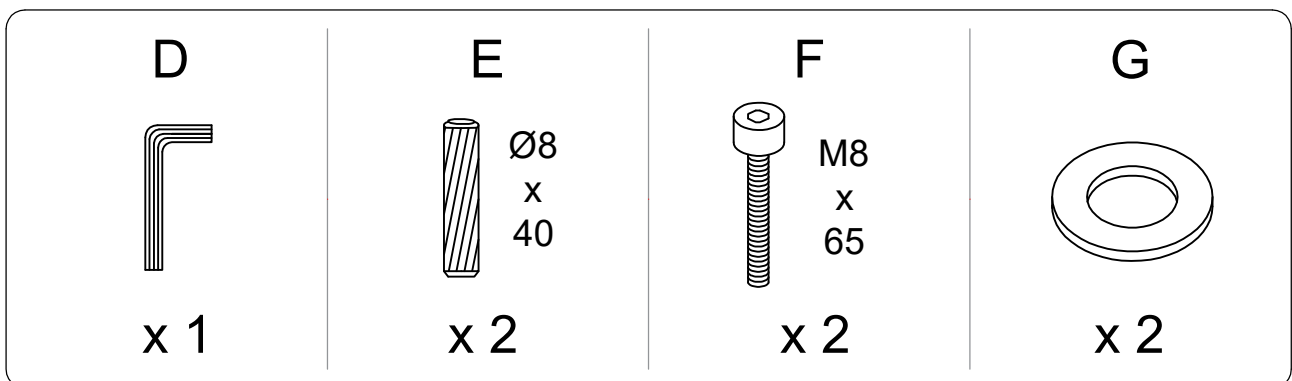
A x 1

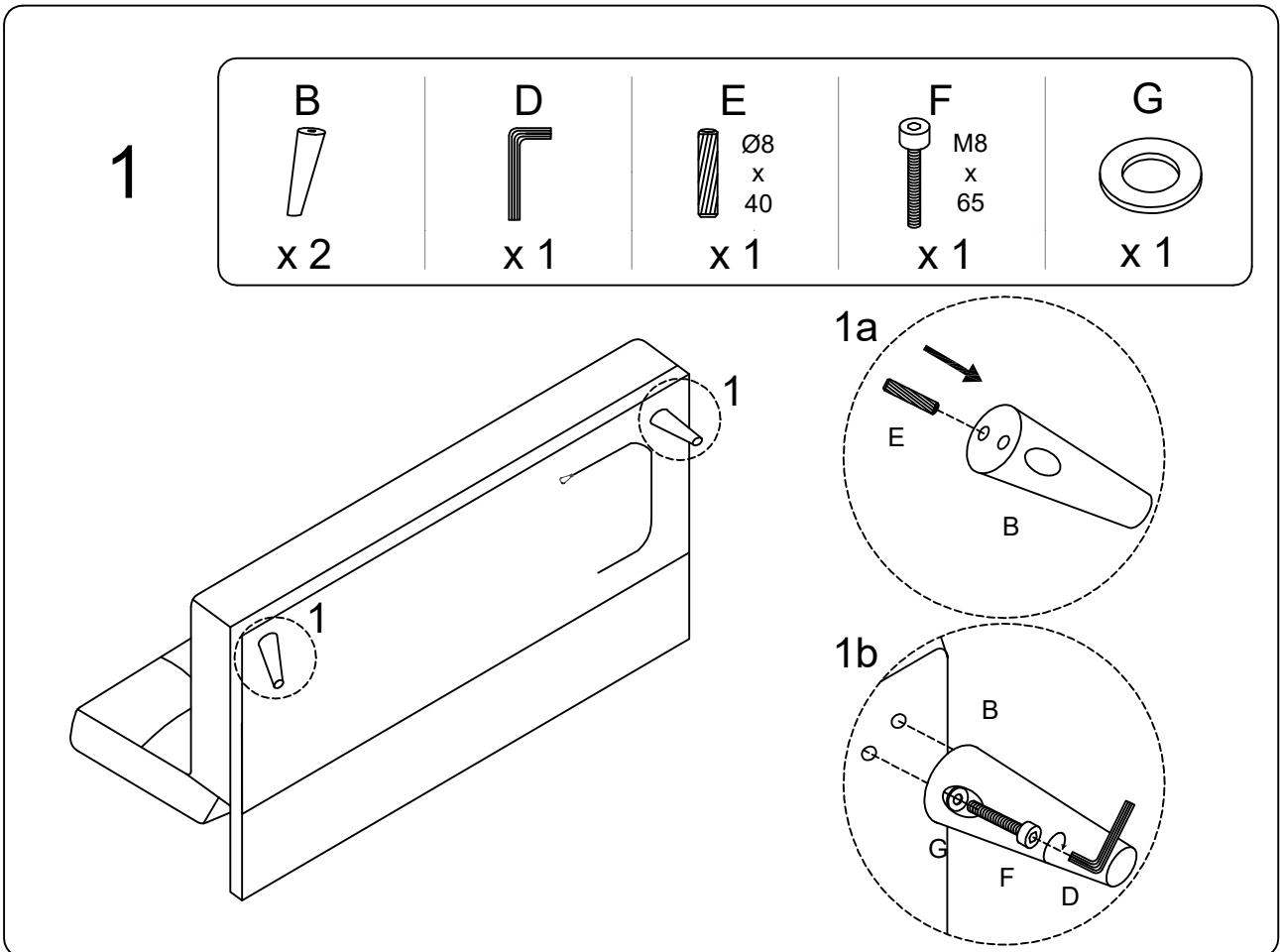
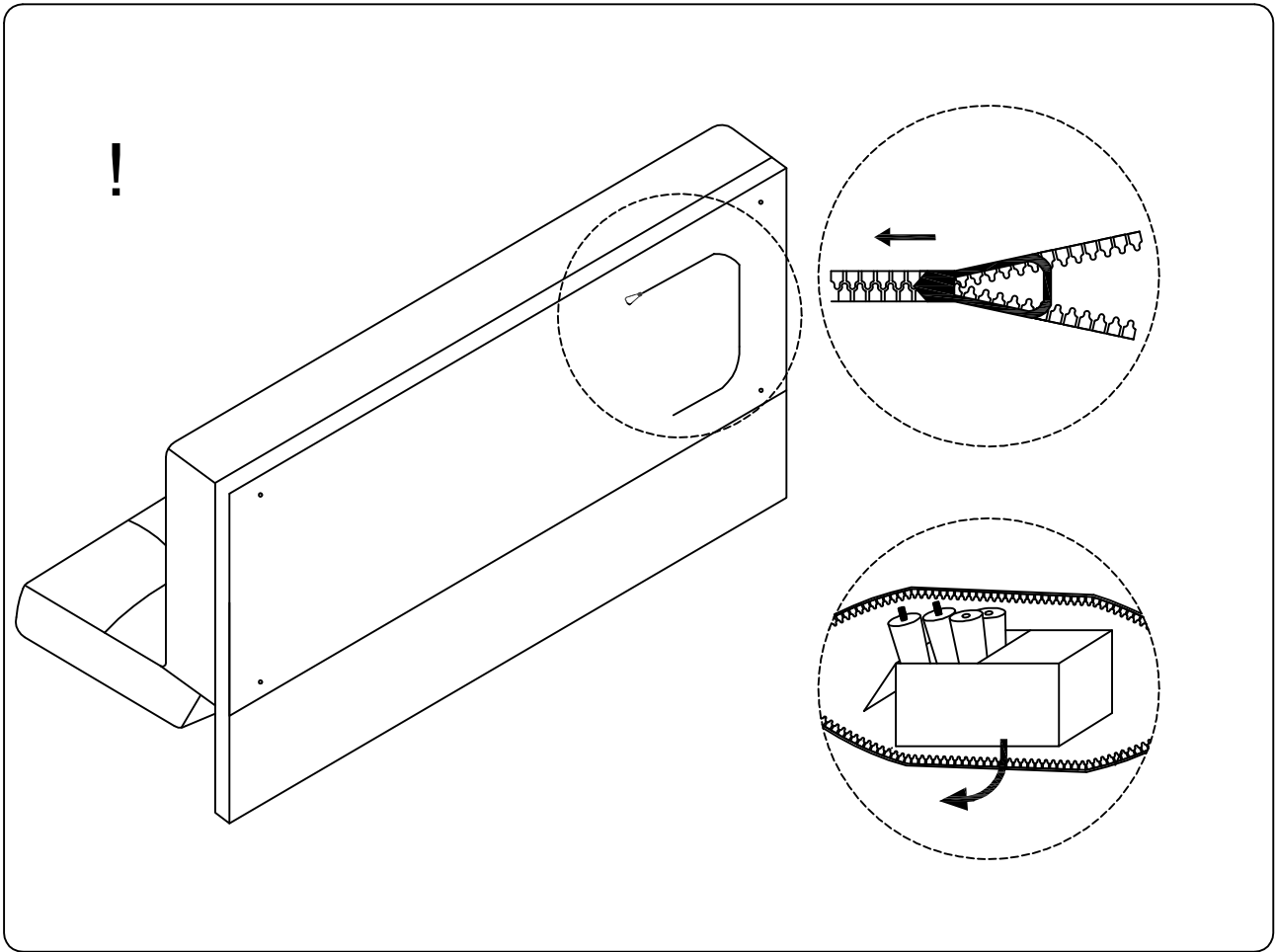


C x 2

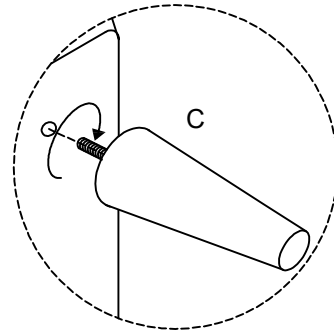
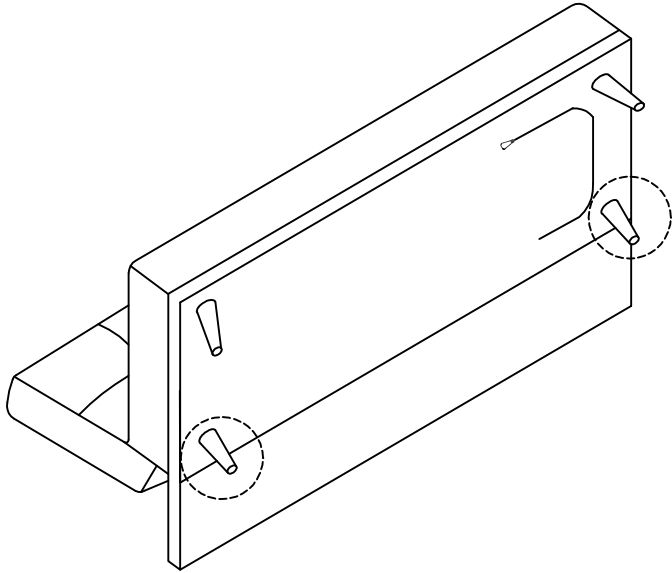


B x 2





2



3

