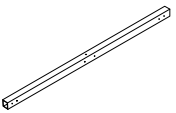
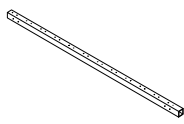
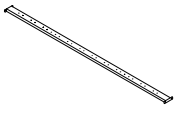


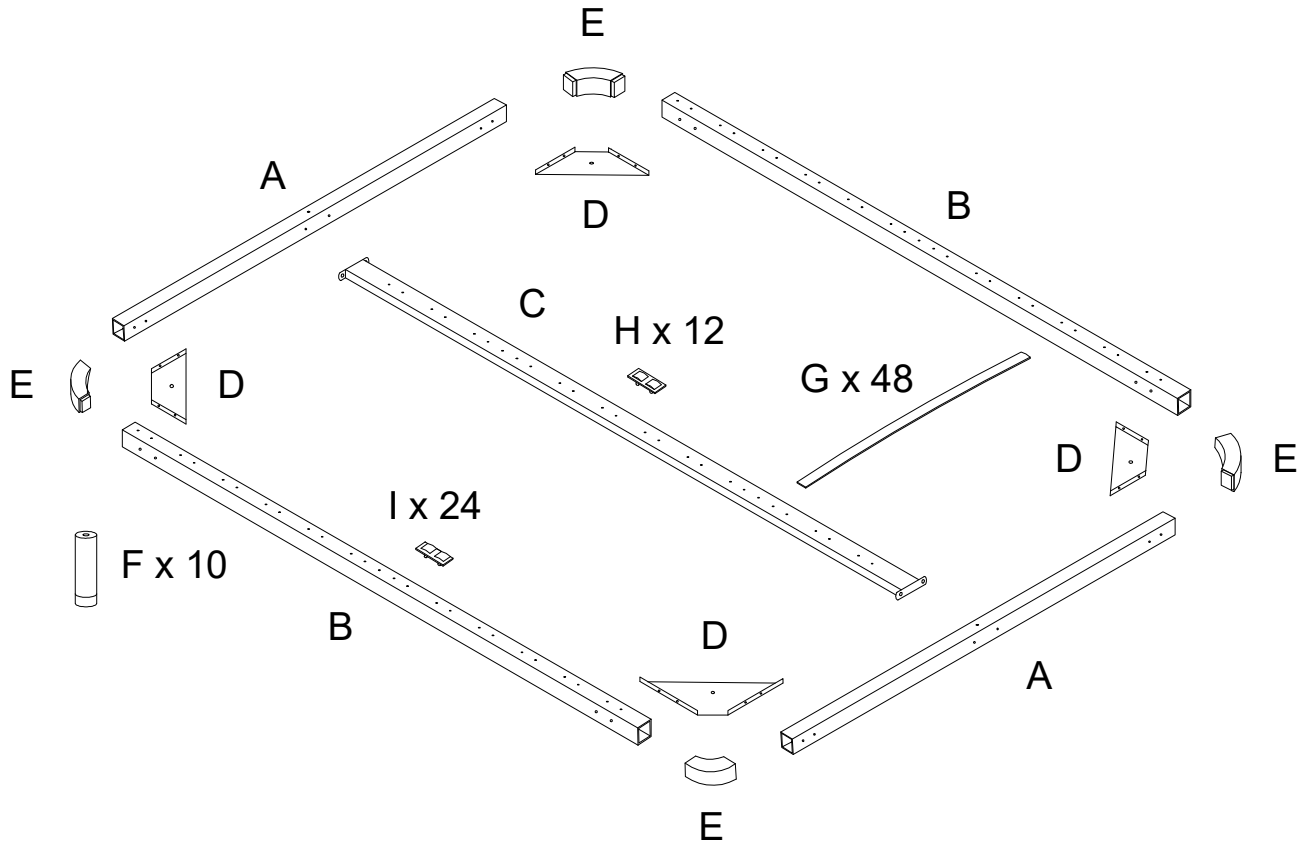



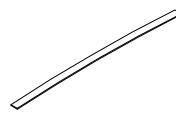
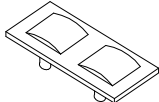
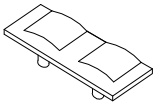
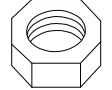
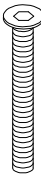
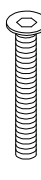

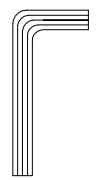
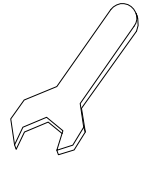
Assembly instructions for step 1/5:

- Tools:** An icon in a circle shows an Allen key and a wrench. A power drill icon is crossed out with a diagonal line, indicating it should not be used.
- Warning:** A triangle with an exclamation mark points to the tool instructions.
- Time:** A clock icon is shown above the text "35'", indicating the estimated assembly time.
- Personnel:** An icon of a person is shown above the number "2", indicating that two people are required for assembly.

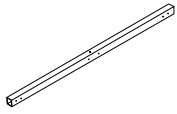
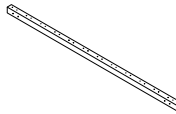
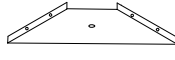
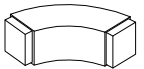
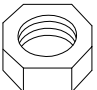
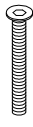

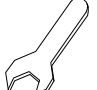
1/5

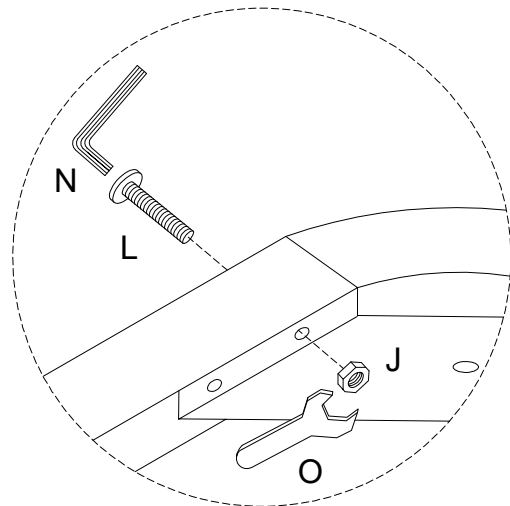
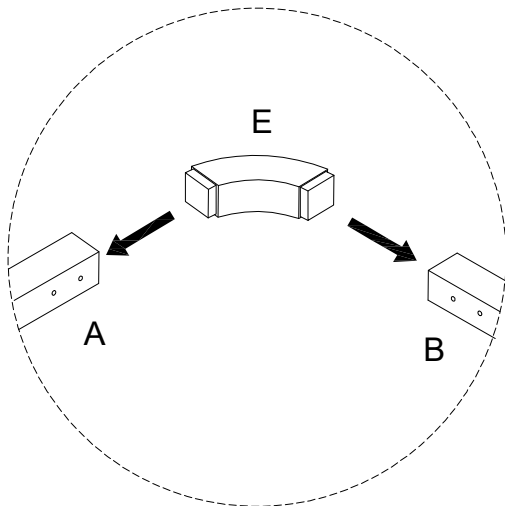
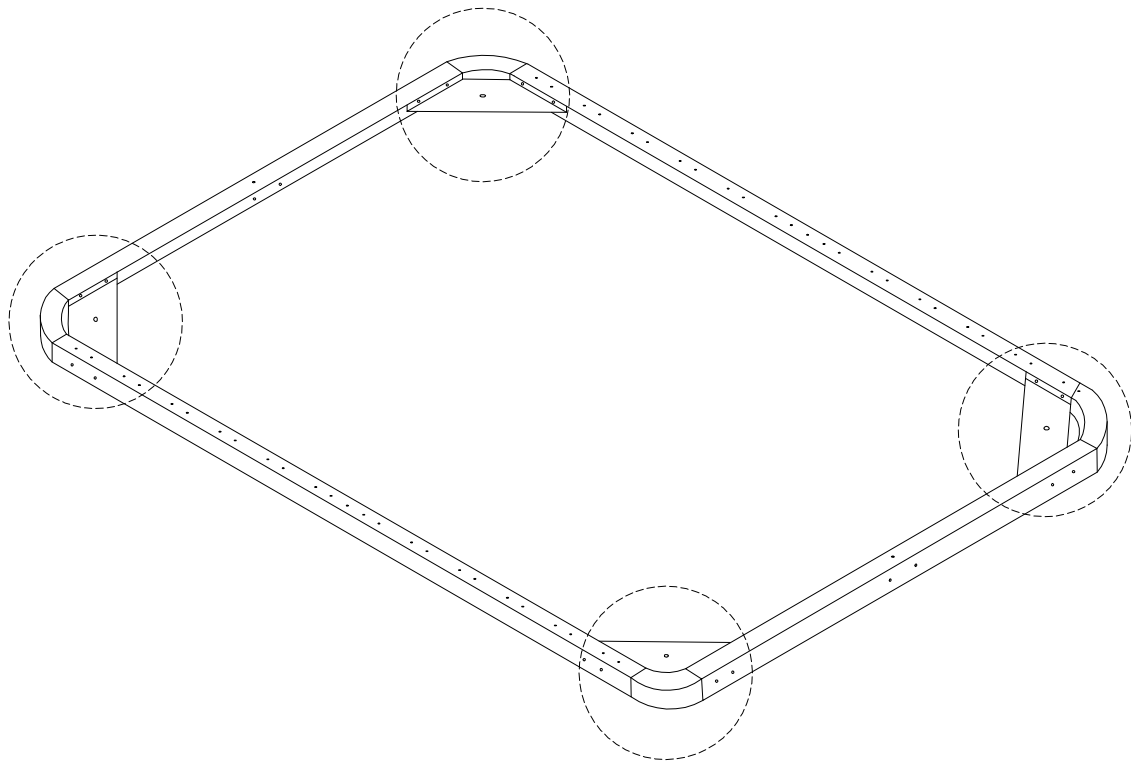
A  x 2	B  x 2	C  x 1	D  x 4	E  x 4
---	---	---	--	---



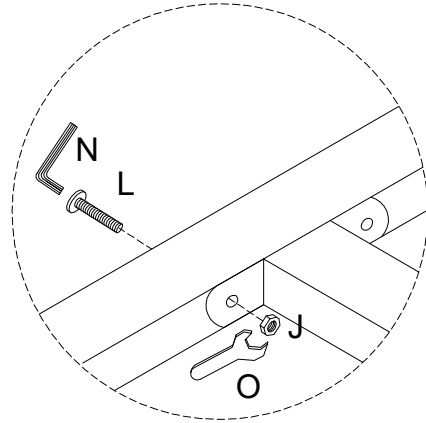
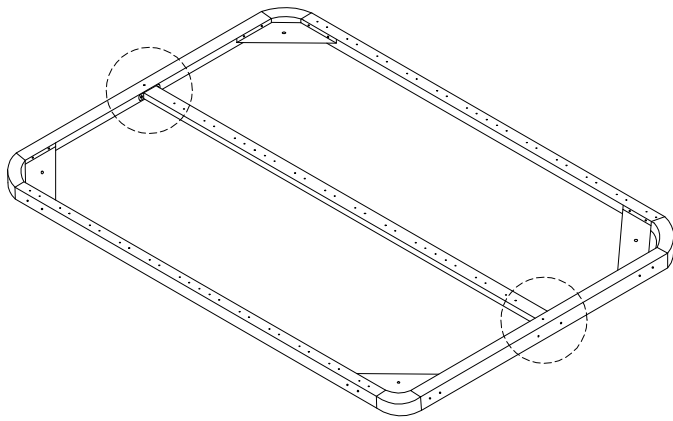
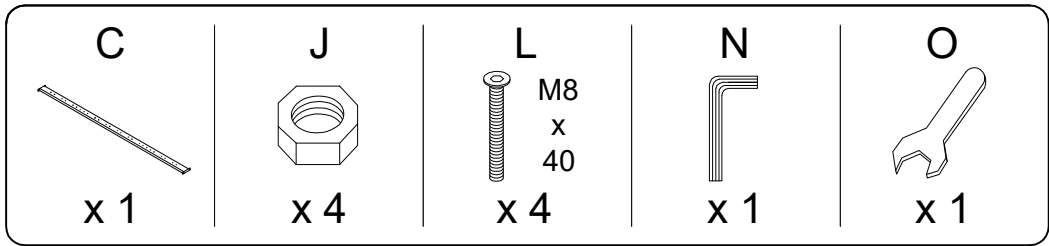
F  x 10	G  x 48	H  x 12	I  x 24	J  x 20
K  M8 x 50 x 6	L  M8 x 40 x 20	M  M8 x 25 x 4	N  x 1	O  x 1

1

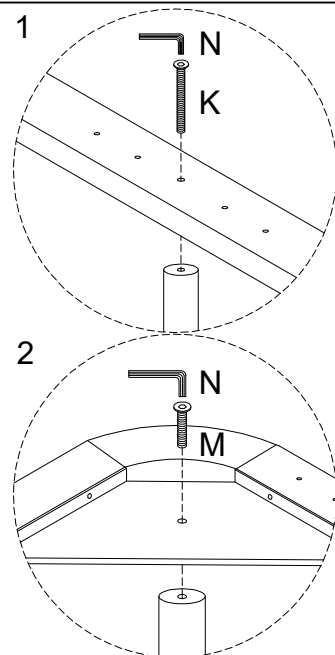
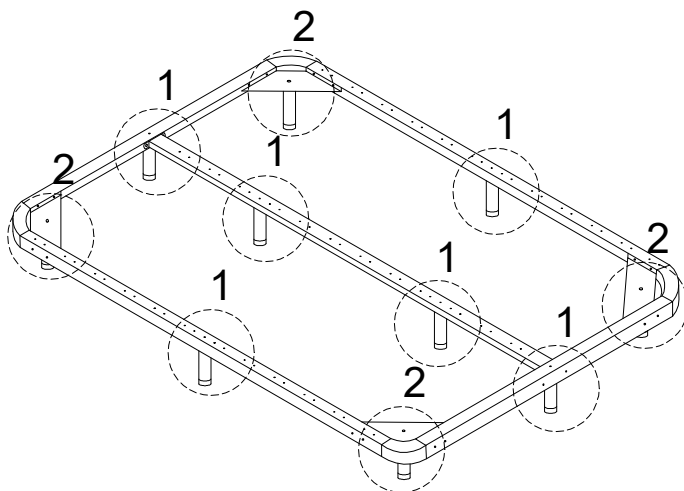
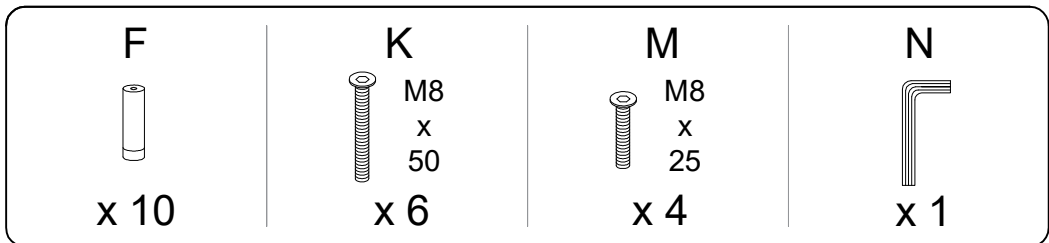
<p>A</p>  <p>x 2</p>	<p>B</p>  <p>x 2</p>	<p>D</p>  <p>x 4</p>	<p>E</p>  <p>x 4</p>
<p>J</p>  <p>x 16</p>	<p>L</p>  <p>M8 x 40 x 16</p>	<p>N</p>  <p>x 1</p>	<p>O</p>  <p>x 1</p>



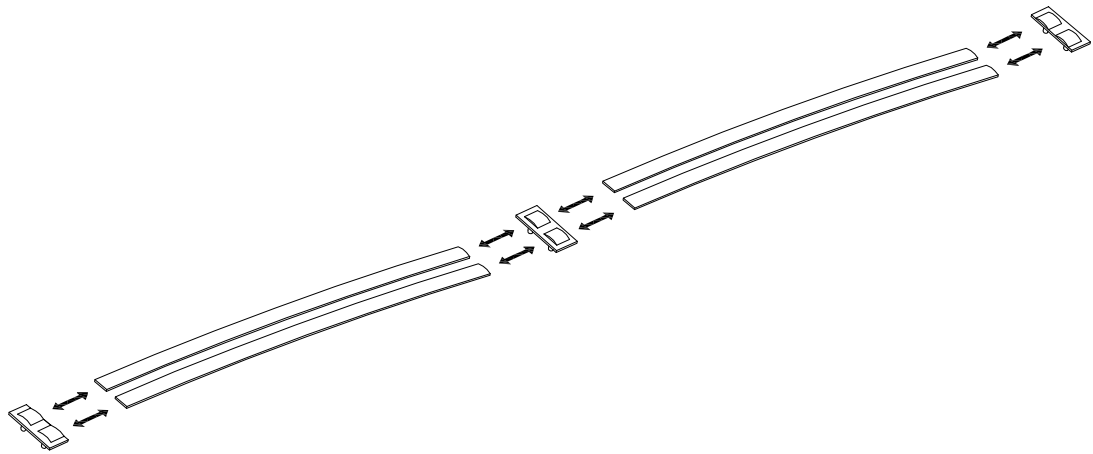
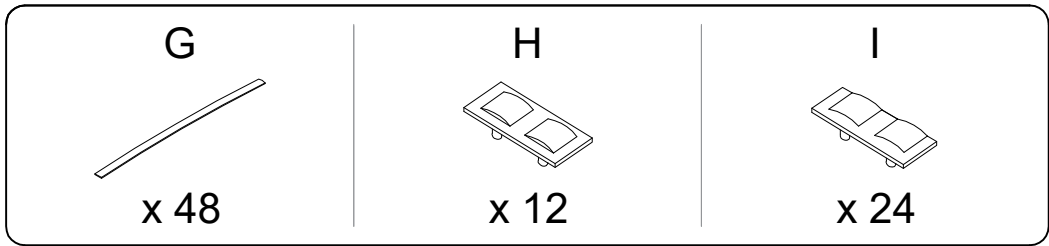
2



3



4



5

