

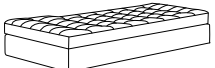
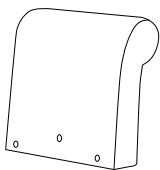
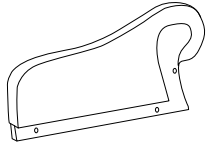
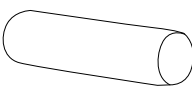
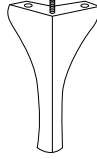
Assembly instructions for the chaise longue, including warnings, time, and person count.

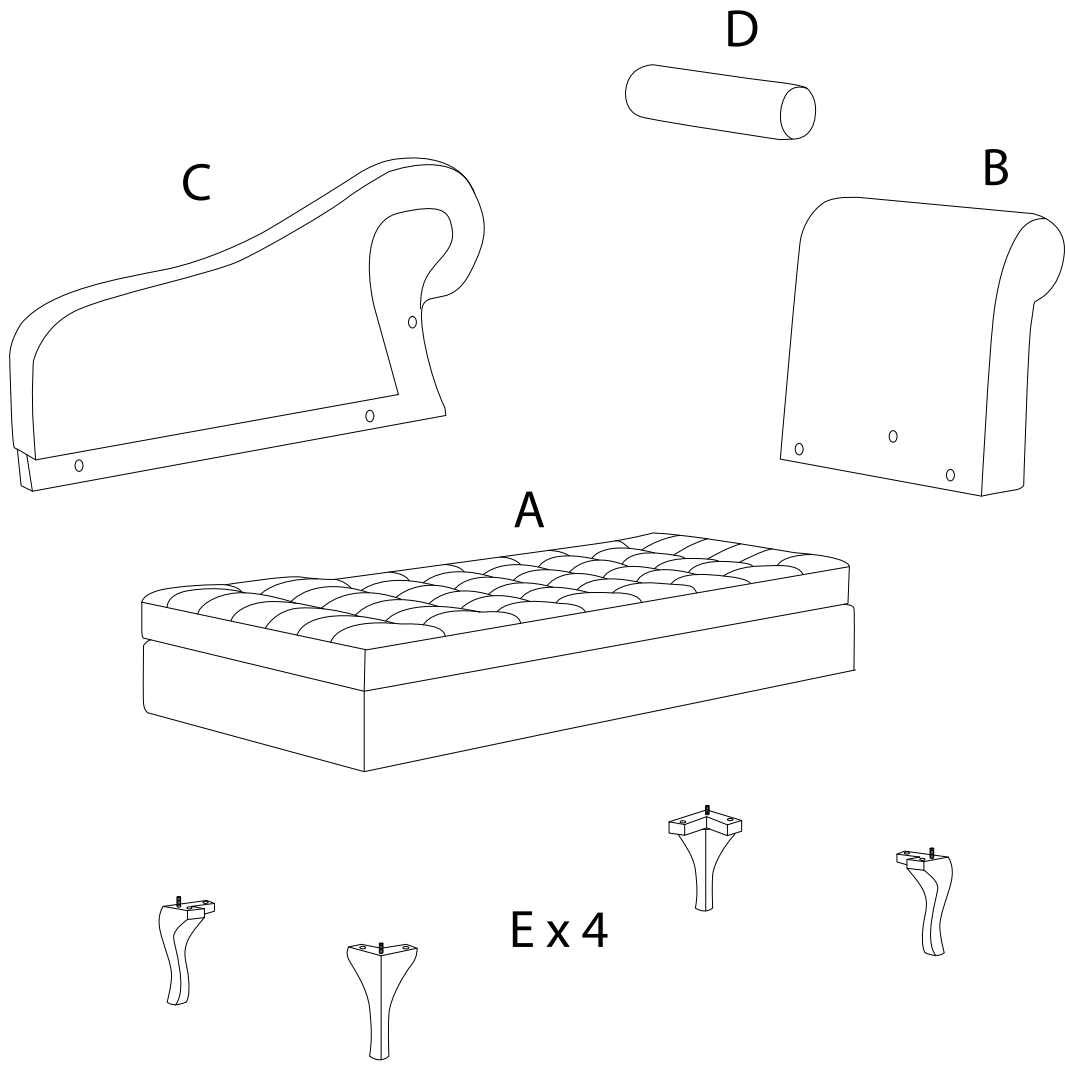
Warning 1: Do not use a power drill. Use an Allen key (shown in a circle) to tighten the screws.

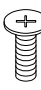


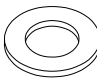
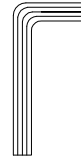
Warning 2: Do not use a screwdriver to tighten the screws. Use a block (shown in a circle) to support the seat during assembly.

Time: 20'

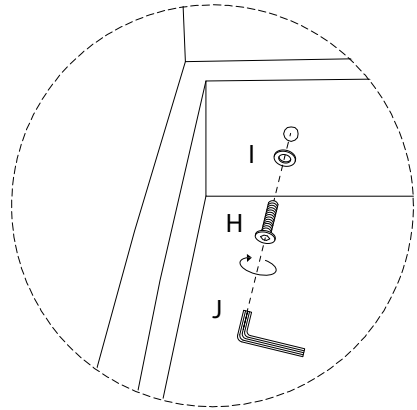
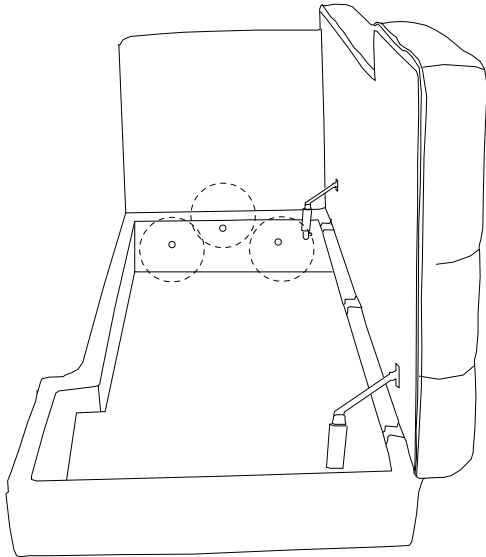
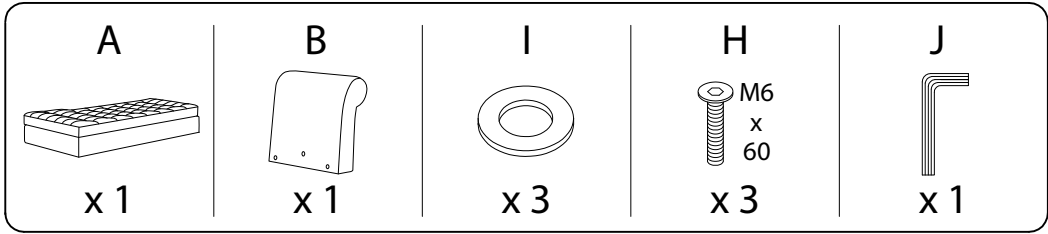
Person Count: 1

A	B	C	D	E
				
x 1	x 1	x 1	x 1	x 4

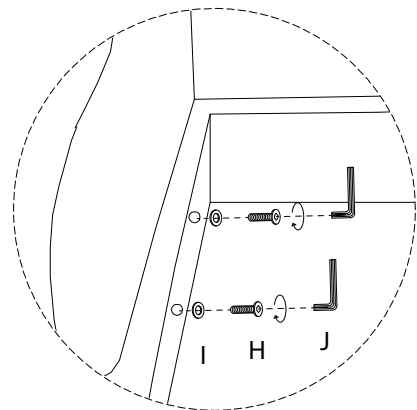
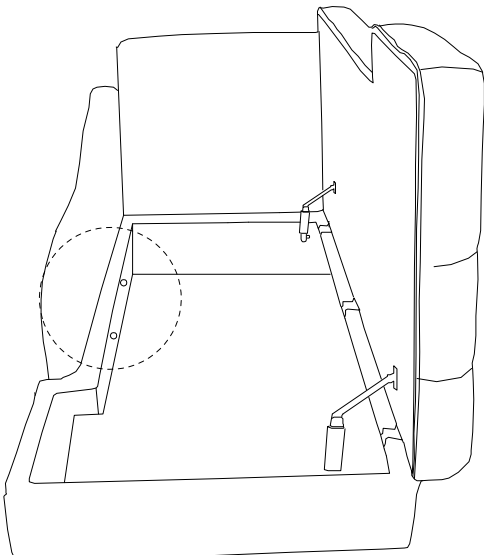


F	G	H	I	J
 M6 x 30	 M6 x 40	 M6 x 60		
x 8	x 1	x 5	x 6	x 1

1



2



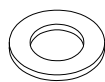
3

G



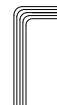
x 1

I

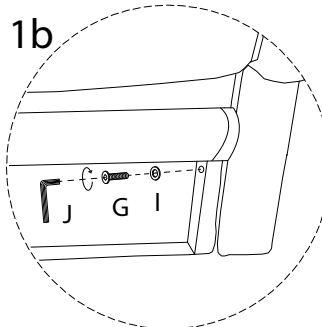
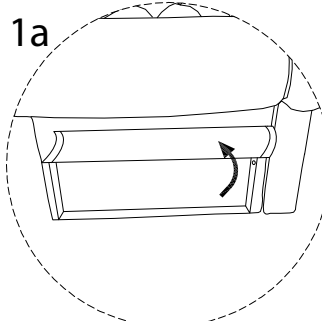
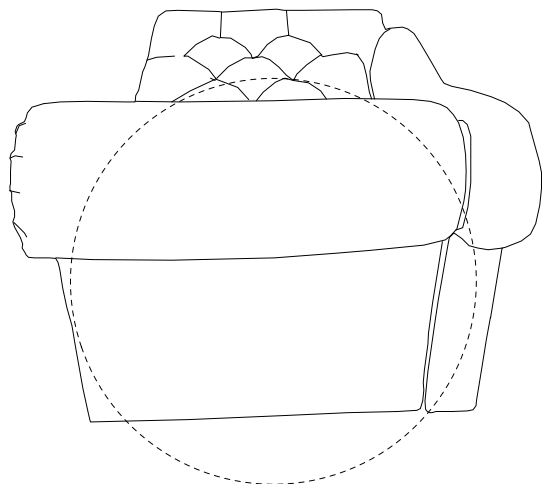


x 1

J

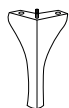


x 1



4

E



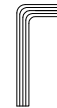
x 4

F

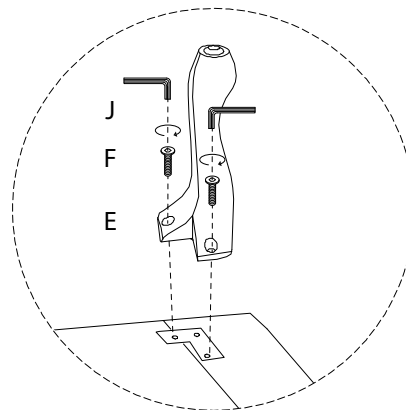
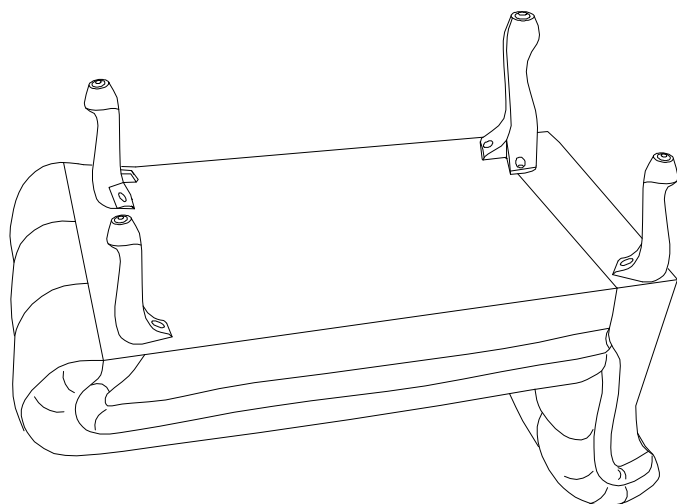


x 8

J

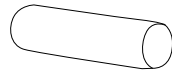


x 1



5

D



x 1

