

CE EMC TEST REPORT

On Behalf of

Shenzhen ONU Mall Technology Co., Limited

Product Name: hair straightener

Trademark: N/A

Model Number: O-ONULISS-17535, O-ONULISS-17482, O-ONULISS-17291,
O-ONULISS-17297, O-ONULISS-17263, O-ONULISS-17041,
O-DDB-16632, O-MHSB-16393, O-SHSB-15995, O-PHS-15922,
O-ONULISS-17102.

Prepared For: Shenzhen ONU Mall Technology Co., Limited

Address: Rm 2505,sun mate group,No.188,Rd Heping East, Longhua, Shenzhen,
China

Prepared By: Shenzhen BKC Testing Co., Ltd.

Address: 103, 1/F, Huaya Science Park, Longhua Community, Longhua District,
Shenzhen, Guangdong, China

Test Date: Apr. 28, 2022 - May 09, 2022

Date of Report : May 09, 2022

Report No.: BKC22041195EE

TABLE OF CONTENT

	Page
Test Report Declaration	
1. GENERAL INFORMATION	5
1.1. Description of Device (EUT)	5
1.2. Tested System Details	5
1.3. Test Uncertainty	5
1.4. Test Facility	6
2. TEST INSTRUMENT USED	7
3. CONDUCTED EMISSION AT THE MAINS TERMINALS TEST	9
3.1. Block Diagram Of Test Setup	9
3.2. Test Standard	9
3.3. Power Line Conducted Emission Limit	9
3.4. EUT Configuration on Test	9
3.5. Operating Condition of EUT	9
3.6. Test Procedure	10
3.7. Test Result	10
4. RADIATION EMISSION TEST	13
4.1. Block Diagram Of Test Setup	13
4.2. Test Standard	13
4.3. Radiation Emission Limit	13
4.4. EUT Configuration on Test	14
4.5. Operating Condition of EUT	14
4.6. Test Procedure	14
4.7. Test Result	14
5. HARMONIC CURRENT EMISSION TEST	17
5.1. Block Diagram of Test Setup	17
5.2. Test Standard	17
5.3. Operating Condition of EUT	17
5.4. Test Procedure	17
5.5. Test Results	17
6. VOLTAGE FLUCTUATIONS & FLICKER TEST	18
6.1. Block Diagram of Test Setup	18
6.2. Test Standard	18
6.3. Operating Condition of EUT	18
6.4. Test Procedure	18
6.5. Test Results	18
7. ELECTROSTATIC DISCHARGE IMMUNITY TEST	20
7.1. Block Diagram of Test Setup	20
7.2. Test Standard	20
7.3. Severity Levels and Performance Criterion	20
7.4. EUT Configuration	21
7.5. Operating Condition of EUT	21
7.6. Test Procedure	21
7.7. Test Results	22
8. RF FIELD STRENGTH SUSCEPTIBILITY TEST	23
8.1. Block Diagram of Test Setup	23
8.2. Test Standard	23
8.3. Severity Levels and Performance Criterion	24
8.4. EUT Configuration on Test	24

8.5. Operating Condition of EUT.....	24
8.6. Test Procedure.....	25
8.7. Test Results.....	25
9. ELECTRICAL FAST TRANSIENT/BURST IMMUNITY TEST.....	26
9.1. Block Diagram of EUT Test Setup.....	26
9.2. Test Standard.....	26
9.3. Severity Levels and Performance Criterion.....	26
9.4. EUT Configuration on Test.....	27
9.5. Operating Condition of EUT.....	27
9.6. Test Procedure.....	27
9.7. Test Results.....	27
10. SURGE TEST.....	29
10.1. Block Diagram of EUT Test Setup.....	29
10.2. Test Standard.....	29
10.3. Severity Levels and Performance Criterion.....	29
10.4. EUT Configuration on Test.....	30
10.5. Operating Condition of EUT.....	30
10.6. Test Procedure.....	30
10.7. Test Result.....	31
11. INJECTED CURRENTS SUSCEPTIBILITY TEST.....	32
11.1. Block Diagram of EUT Test Setup.....	32
11.2. Test Standard.....	32
11.3. Severity Levels and Performance Criterion.....	32
11.4. EUT Configuration on Test.....	33
11.5. Operating Condition of EUT.....	33
11.6. Test Procedure.....	33
11.7. Test Result.....	34
12. VOLTAGE DIPS AND INTERRUPTIONS TEST.....	35
12.1. Block Diagram of EUT Test Setup.....	35
12.2. Test Standard.....	35
12.3. Severity Levels and Performance Criterion.....	35
12.4. EUT Configuration on Test.....	36
12.5. Operating Condition of EUT.....	36
12.6. Test Procedure.....	36
12.7. Test Result.....	36
13.EUT TEST PHOTO.....	37
14.PHOTOGRAPHS.....	38

Shenzhen BKC Testing Co., Ltd.

Applicant : Shenzhen ONU Mall Technology Co., Limited
Address : Rm 2505,sun mate group,No.188,Rd Heping East, Longhua,
Shenzhen, China
Manufacturer : Shenzhen ONU Mall Technology Co., Limited
Address : Rm 2505,sun mate group,No.188,Rd Heping East, Longhua,
Shenzhen, China
Product Name : hair straightener
Model Number : O-ONULISS-17535
Trademark: : N/A
Test Date : Apr. 28, 2022 - May 09, 2022
Date of Report : May 09, 2022
Test Result: : The equipment under test was found to be compliance with the
requirements of the standards applied.

Test Procedure Used:

EMI : EN IEC 55014-1:2021
EN IEC 61000-3-2:2019+A1:2021, EN 61000-3-3:2013+A1:2019
EMS : EN IEC 55014-2:2021
EN 61000-4-2:2009, EN IEC 61000-4-3:2020
EN 61000-4-4:2012, EN 61000-4-5:2014+A1:2017
EN 61000-4-6:2014, EN IEC 61000-4-11:2020

Prepared by(Test Engineer):
Zach Liu

Zach Liu

Reviewer(Supervisor):
Corbin Wang

Corbin Wang

Approved(Manager):
Levi Xiao



1. GENERAL INFORMATION

1.1. Description of Device (EUT)

EUT : hair straightener
Model Number : O-ONULISS-17535
Model Difference : The product is different for model name and outlook color.
Trademark: : N/A
Power Supply : 110-240V~ 50/60Hz 80W
Work Frequency : Below 108MHz

Note:

- 1) EUT: Equipment under test
- 2) O-ONULISS-17535 was selected as the test model and the datas have been recorded in this report.

1.2. Tested System Details

Personal Computer	: DELL	Monitor	: SONY
M/N	: INSPIRON	M/N	: MNT1
Printer	: EPSON STYLUS	Keyboard (USB)	: Genuine
M/N	: P320A	M/N	: N/A
Modem	: ACEEX	Mouse	: DETROIS
M/N	: DM-1414	M/N	: CM309

1.3. Test Uncertainty

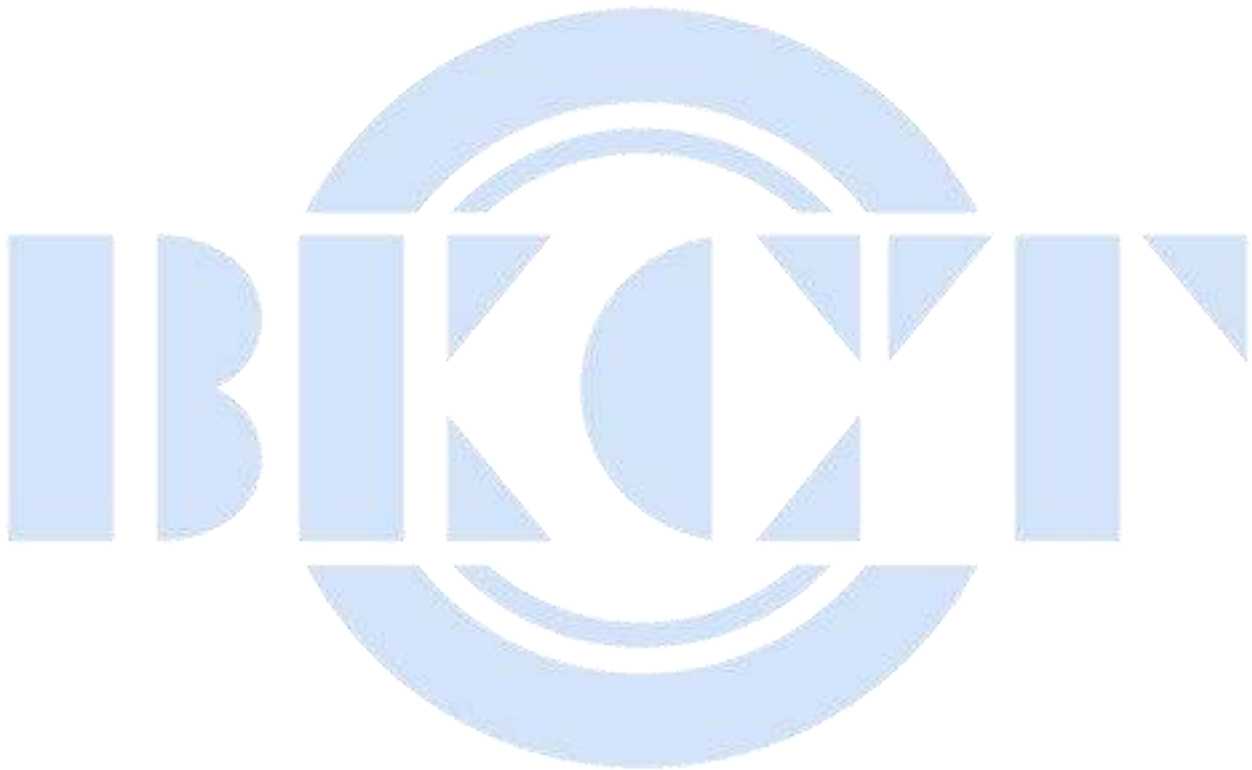
Conducted Emission Uncertainty : ± 2.48 dB
Radiated Emission Uncertainty : ± 4.14 dB

1.4. Test Facility

Site Description

Name of Firm : Shenzhen BKC Testing Co., Ltd.

Site Location : 103, 1/F, Huaya Science Park, Longhua Community,
Longhua District, Shenzhen, Guangdong, China



2. TEST INSTRUMENT USED

2.1 CONDUCTED TEST SITE

Item	Kind of Equipment	Manufacturer	Type No.	Serial No.	Calibrated until
1	LISN	R&S	ENV216	101313	Nov. 07. 2022
2	LISN	EMCO	3816/2	00042990	Nov. 07. 2022
3	50Ω Switch	ANRITSU CORP	MP59B	6200983704	Nov. 07. 2022
4	EMI Test Receiver	R&S	ESCI	101160	Nov. 07. 2022
5	Passive Voltage Probe	ESH2-Z3	R&S	100196	Nov. 07. 2022
6	Triple-Loop Antenna	EVERFINE	LIA-2	11020003	Nov. 07. 2022
7	Absorbing Clamp	R&S	MDS-21	100423	Nov. 07. 2022
8	Coupling/ Decoupling Network	PH	ISN T800	S1509001	Nov. 07. 2022

2.2 RADIATED TEST SITE

Item	Kind of Equipment	Manufacturer	Type No.	Serial No.	Calibrated until
1	Bilog Antenna	TESEQ	CBL6111D	31216	Nov. 07. 2022
2	EMI Test Receiver	R&S	ESCI-7	101318	Nov. 07. 2022
3	Antenna Mast	EM	SC100_1	N/A	Nov. 07. 2022
4	50Ω Switch	Anritsu Corp	MP59B	6200983705	Nov. 07. 2022
5	Spectrum Analyzer	Agilent	E4407B	MY45108040	Nov. 07. 2022
6	Horn Antenna	EM	EM-AH-1018 0	2011071402	Nov. 07. 2022
7	Amplifier	EM	EM-30180	060538	Nov. 07. 2022

2.3 HARMONICS AND FLICKER

Item	Kind of Equipment	Manufacturer	Type No.	Serial No.	Calibrated until
1	Harmonic & Flicker	EM TEST	DPA500	0303-04	Nov. 07. 2022
2	AC Power Source	EM TEST	ACS500	0203-01	Nov. 07. 2022

2.4 ELECTROSTATIC DISCHARGE

Item	Kind of Equipment	Manufacturer	Type No.	Serial No.	Calibrated until
1	ESD TEST GENERATOR	EVERFINE	EMS61000-2 A-V200	11040001T	Nov. 07. 2022

2.5 RS

Item	Kind of Equipment	Manufacturer	Type No.	Serial No.	Calibrated until
1	Signal Generator	R&S	SMT 06	832080/007	Nov. 07. 2022
2	Log-Bicon Antenna	Schwarzbeck	VULB9161	4022	Nov. 07. 2022
3	Power Amplifier	AR	150W1000M1	320946	Nov. 07. 2022
4	Microwave Horn Antenna	AR	AT4002A	321467	Nov. 07. 2022
5	Power Amplifier	AR	25S1G4A	308598	Nov. 07. 2022

2.6 SURGE, EFT/BURST, VOLTAGE INTERRUPTION/DIPS

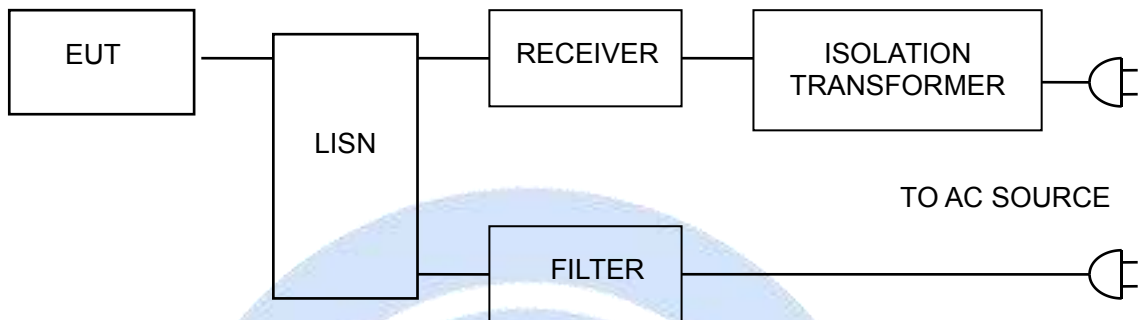
Item	Kind of Equipment	Manufacturer	Type No.	Serial No.	Calibrated until
1	Surge Generator	EVERFINE	EMS61000-5 A	1101002	Nov. 07. 2022
2	DIPS Generator	EVERFINE	EMS61000-11 K	1011002	Nov. 07. 2022
3	EFT/B Generator	Schaffner	MODULA615 0	34437	Nov. 07. 2022

2.7 INJECTION CURRENT

Item	Kind of Equipment	Manufacturer	Type No.	Serial No.	Calibrated until
1	Signal Generator	IFR	2023A	202301/368	Nov. 07. 2022
2	Power Amplifier	AR	75A250AM1	0320709	Nov. 07. 2022
3	CDN	FCC	FCC-801-M2	06043	Nov. 07. 2022
4	EM Clamp	FCC	F-203I-23MM	504	Nov. 07. 2022

3. CONDUCTED EMISSION AT THE MAINS TERMINALS TEST

3.1. Block Diagram Of Test Setup



3.2. Test Standard

EN IEC 55014-1:2021

3.3. Power Line Conducted Emission Limit

Frequency MHz	Limits dB(μV)	
	Quasi-peak Level	Average Level
0.15 ~ 0.50	66 ~ 56*	56 ~ 46*
0.50 ~ 5.00	56	46
5.00 ~ 30.00	60	50

Notes: 1. *Decreasing linearly with logarithm of frequency.

2. The lower limit shall apply at the transition frequencies.

3.4. EUT Configuration on Test

The following equipments are installed on conducted emission test to meet EN IEC 55014-1 requirement and operating in a manner which tends to maximize its emission characteristics in a normal application.

3.5. Operating Condition of EUT

3.5.1 Setup the EUT and simulators as shown in Section 3.1.

3.5.2 Turn on the power of all equipments.

3.5.3 Let the EUT work in test modes and test it.

3.6. Test Procedure

The EUT is put on the ground and connected to the AC mains through a Artificial Mains Network (AMN). This provided a 50ohm coupling impedance for the tested equipments. Both sides of AC line are checked to find out the maximum conducted emission levels according to the EN IEC 55014-1 regulations during conducted emission test.

The bandwidth of the test receiver (R&S Test Receiver ESCI) is set at 10KHz.

The frequency range from 150 KHz to 30 MHz is investigated.

3.7. Test Result

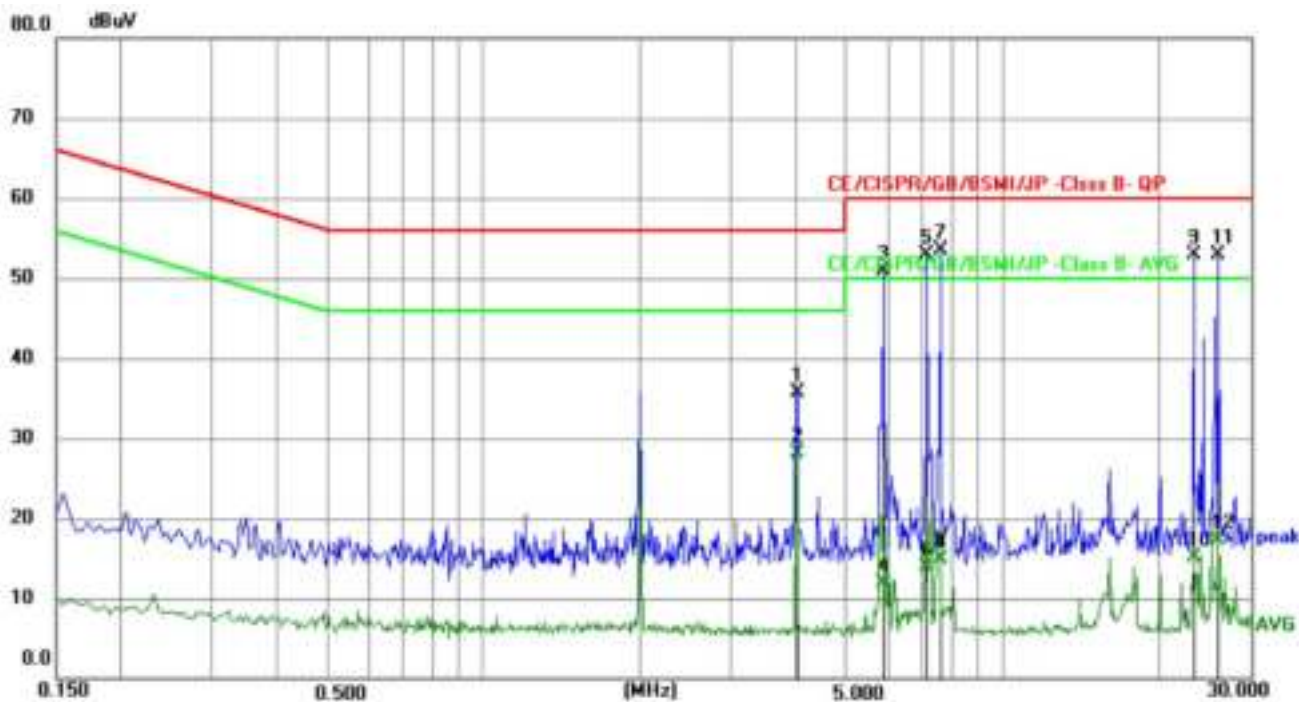
PASS

Please refer to the following page.





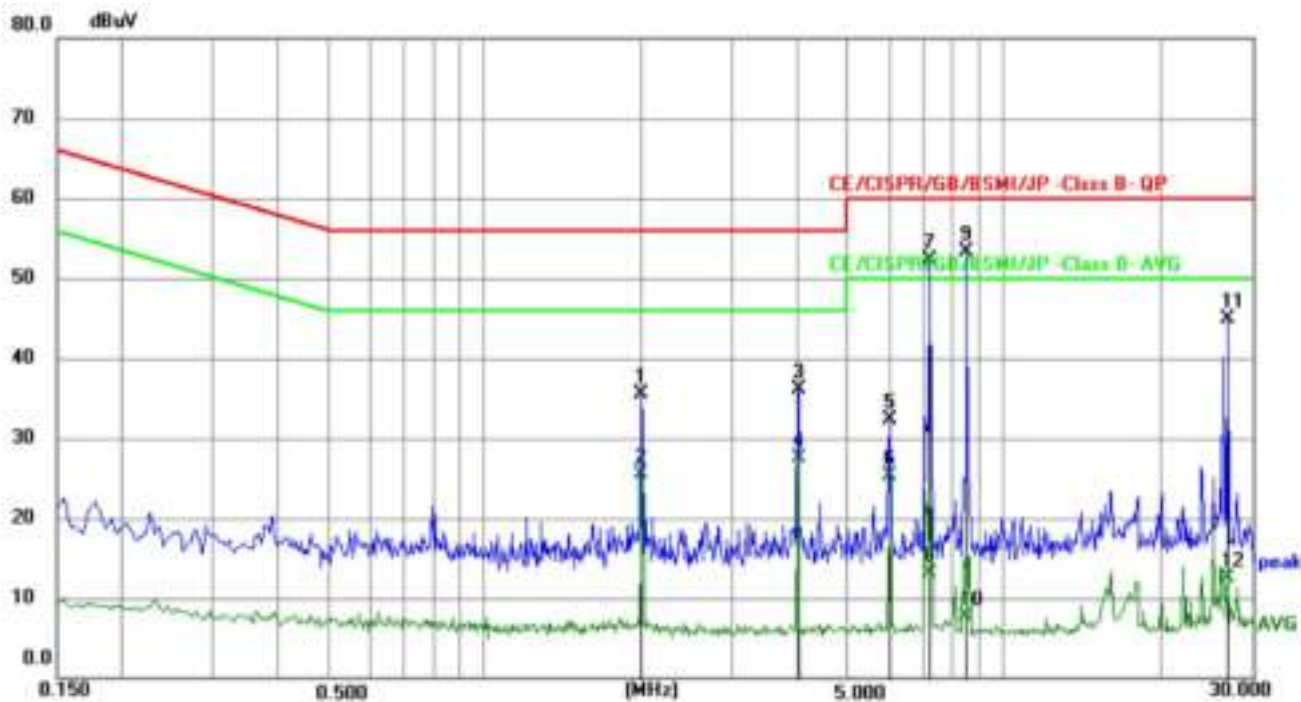
Conducted Emission At The Mains Terminals Test Data			
Temperature:	25.1°C	Relative Humidity:	56%
Pressure:	1008hPa	Phase :	Line
Test Voltage :	AC 230V/50Hz	Test Mode:	ON Mode



No.	Frequency (MHz)	Reading (dBuV)	Factor (dB)	Level (dBuV)	Limit (dBuV)	Margin (dB)	Detector	P/F	Remark
1	4.0200	26.19	9.53	35.72	56.00	-20.28	peak	P	
2	4.0200	18.67	9.53	28.20	46.00	-17.80	AVG	P	
3	5.8920	41.46	9.53	50.99	60.00	-9.01	peak	P	
4	5.8920	2.39	9.53	11.92	50.00	-38.08	AVG	P	
5	7.1745	43.44	9.55	52.99	60.00	-7.01	peak	P	
6	7.1745	4.32	9.55	13.87	50.00	-36.13	AVG	P	
7 *	7.5975	43.86	9.58	53.44	60.00	-6.56	peak	P	
8	7.5975	5.26	9.58	14.84	50.00	-35.16	AVG	P	
9	23.3835	43.30	9.63	52.93	60.00	-7.07	peak	P	
10	23.3835	5.49	9.63	15.12	50.00	-34.88	AVG	P	
11	26.0519	43.23	9.67	52.90	60.00	-7.10	peak	P	
12	26.0519	7.63	9.67	17.30	50.00	-32.70	AVG	P	



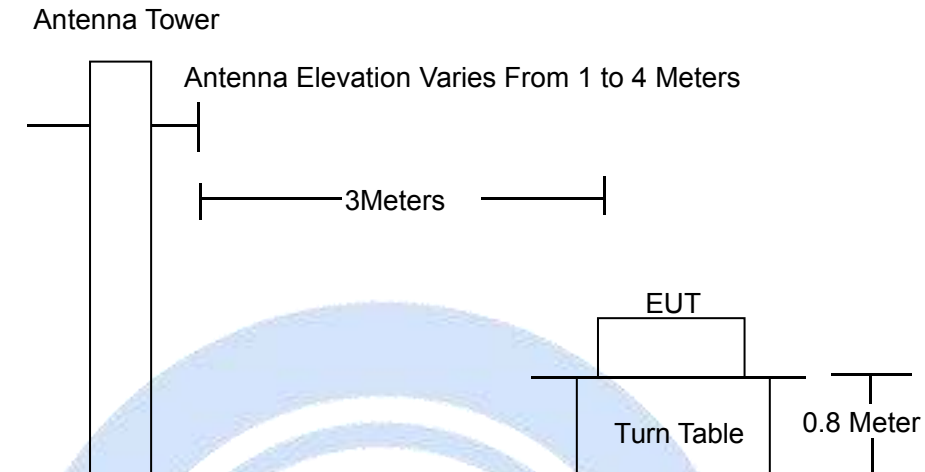
Conducted Emission At The Mains Terminals Test Data			
Temperature:	25.1°C	Relative Humidity:	56%
Pressure:	1008hPa	Phase :	Neutral
Test Voltage :	AC 230V/50Hz	Test Mode:	ON Mode



No.	Frequency (MHz)	Reading (dBuV)	Factor (dB)	Level (dBuV)	Limit (dBuV)	Margin (dB)	Detector	P/F	Remark
1	2.0040	25.74	9.72	35.46	56.00	-20.54	peak	P	
2	2.0040	15.82	9.72	25.54	46.00	-20.46	AVG	P	
3	4.0155	26.57	9.53	36.10	56.00	-19.90	peak	P	
4	4.0155	18.05	9.53	27.58	46.00	-18.42	AVG	P	
5	6.0270	22.75	9.53	32.28	60.00	-27.72	peak	P	
6	6.0270	15.84	9.53	25.37	50.00	-24.63	AVG	P	
7	7.1835	42.83	9.55	52.38	60.00	-7.62	peak	P	
8	7.1835	3.62	9.55	13.17	50.00	-36.83	AVG	P	
9 *	8.4613	43.57	9.64	53.21	60.00	-6.79	peak	P	
10	8.4613	-1.99	9.64	7.65	50.00	-42.35	AVG	P	
11	26.8485	35.19	9.68	44.87	60.00	-15.13	peak	P	
12	26.8485	2.77	9.68	12.45	50.00	-37.55	AVG	P	

4. RADIATION EMISSION TEST

4.1. Block Diagram Of Test Setup



4.2. Test Standard

EN IEC 55014-1:2021

4.3. Radiation Emission Limit

Frequency MHz	Distance (Meters)	Field Strengths Limits dB(μ V)/m
30 ~ 230	3	40.0
230 ~ 1000	3	47.0

Remark:

- (1) Emission level (dB(μ V)/m) = 20 log Emission level (μ V/m)
- (2) The smaller limit shall apply at the cross point between two frequency bands.
- (3) Distance refers to the distance in meters between the measuring instrument, antenna and the closed point of any part of the device or system.

4.4.EUT Configuration on Test

The EN IEC 55014-1 regulations test method must be used to find the maximum emission during radiated emission test.

The configuration of EUT is the same as used in conducted emission test. Please refer to Section 2.3.

4.5.Operating Condition of EUT

Same as conducted emission test, which is listed in Section 2.3 except the test set up replaced as Section 4.1.

4.6.Test Procedure

The EUT and its simulators are placed on a turned table that is 0.8 meter above the ground. The turned table can rotate 360 degrees to determine the position of the maximum emission level. The EUT is set 3 meters away from the receiving antenna that is mounted on the antenna tower. The antenna can move up and down between 1 meter and 4 meters to find out the maximum emission level. Broadband antenna (calibrated biconical and log periodical antenna) is used as receiving antenna. Both horizontal and vertical polarization of the antenna is set on test. In order to find the maximum emission levels, the interface cable must be manipulated according to EN IEC 55014-1 on radiated emission test.

The bandwidth setting on the field strength meter (R&S Test Receiver ESCI) is set at 120KHz.

The frequency range from 30MHz to 1000MHz is checked.

4.7.Test Result

PASS

Please refer to the following page



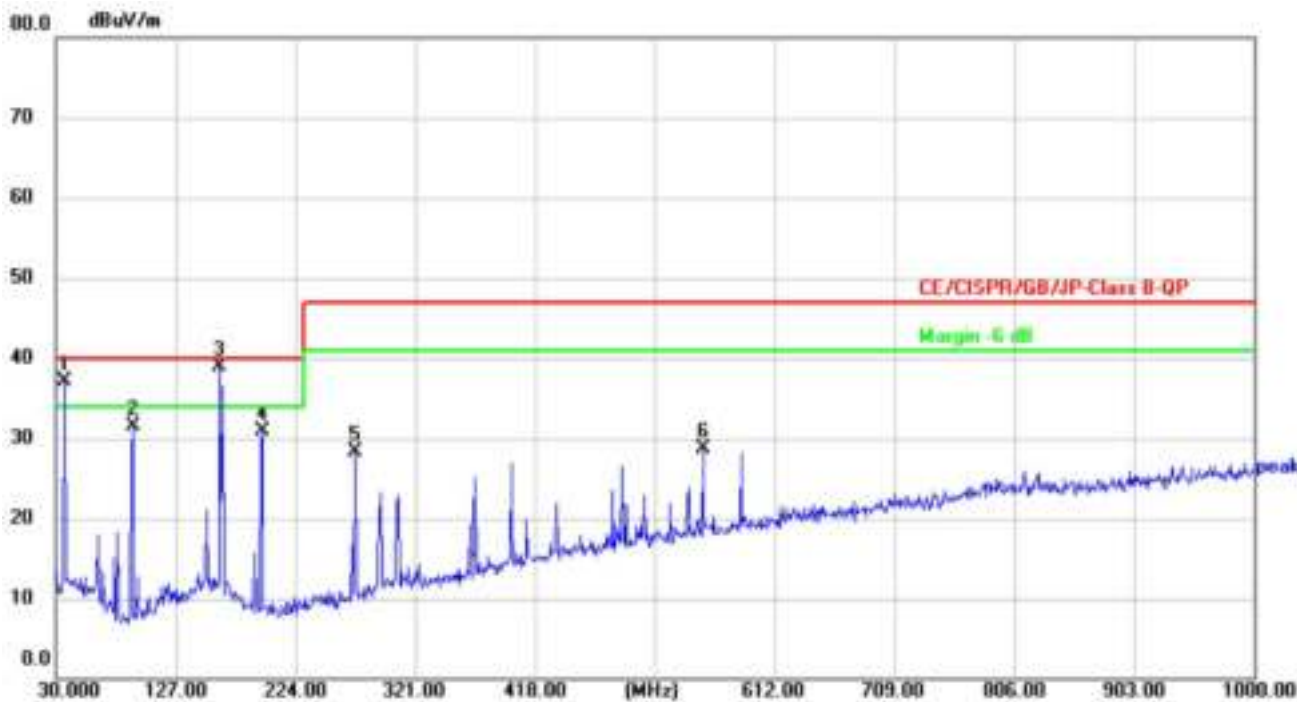
Radiation Emission Test Data			
Temperature:	25.1°C	Relative Humidity:	56%
Pressure:	1008hPa	Phase :	Horizontal
Test Voltage :	AC 230V/50Hz	Test Mode:	ON Mode



No.	Frequency (MHz)	Reading (dBuV)	Factor (dB/m)	Level (dBuV/m)	Limit (dBuV/m)	Margin (dB)	Detector	Height (cm)	Azimuth (deg.)	P/F	Remark
1	79.4700	33.58	-20.75	12.83	40.00	-27.17	peak	100	124	P	
2	148.3400	29.66	-15.95	13.71	40.00	-26.29	peak	100	271	P	
3	456.8000	29.80	-11.72	18.08	47.00	-28.92	peak	100	184	P	
4	700.2700	30.02	-6.70	23.32	47.00	-23.68	peak	100	282	P	
5	752.6500	30.03	-5.77	24.26	47.00	-22.74	peak	100	124	P	
6 *	874.8700	29.65	-3.96	25.69	47.00	-21.31	peak	100	124	P	



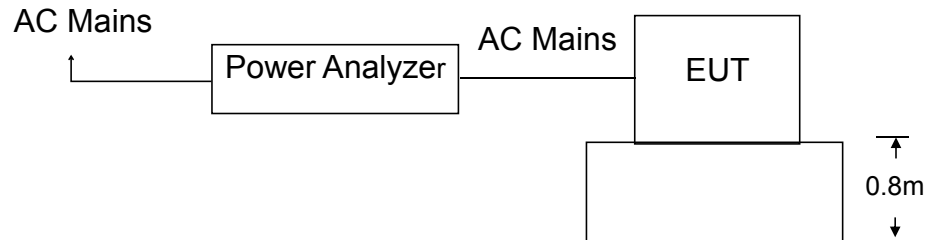
Radiation Emission Test Data			
Temperature:	25.1°C	Relative Humidity:	56%
Pressure:	1008hPa	Phase :	Vertical
Test Voltage :	AC 230V/50Hz	Test Mode:	ON Mode



No.	Frequency (MHz)	Reading (dBuV)	Factor (dB/m)	Level (dBuV/m)	Limit (dBuV/m)	Margin (dB)	Detector	Height (cm)	Azimuth (deg.)	P/F	Remark
1	36.7900	53.25	-16.17	37.08	40.00	-2.92	peak	100	332	P	
2	92.0800	51.64	-20.14	31.50	40.00	-8.50	peak	100	332	P	
3 *	162.8900	54.90	-16.07	38.83	40.00	-1.17	peak	100	332	P	
4	196.8400	49.78	-18.95	30.83	40.00	-9.17	peak	100	332	P	
5	272.5000	45.35	-17.12	28.23	47.00	-18.77	peak	100	223	P	
6	553.8000	38.48	-9.68	28.80	47.00	-18.20	peak	100	332	P	

5. HARMONIC CURRENT EMISSION TEST

5.1. Block Diagram of Test Setup



5.2. Test Standard

EN IEC 61000-3-2:2019+A1:2021

5.3. Operating Condition of EUT

- 5.3.1 Setup the EUT as shown in Section 5.1.
- 5.3.2 Turn on the power of all equipments.
- 5.3.3 Let the EUT work in test mode and test it.

5.4. Test Procedure

The power cord of the EUT is connected to the output of the test system. Turn on the power of the EUT and use the test system to test the harmonic current level.

5.5. Test Results

PASS.

6. VOLTAGE FLUCTUATIONS & FLICKER TEST

6.1. Block Diagram of Test Setup

Same as Section 6.1.

6.2. Test Standard

EN 61000-3-3:2013+A1:2019

6.3. Operating Condition of EUT

Same as Section 5.3. The power cord of the EUT is connected to the output of the test system. Turn on the power of the EUT and use the test system to test the harmonic current level.

Flicker Test Limit

Test items	Limits
Pst	1.0
dc	3.3%
Tmax	4.0%
dt	Not exceed 3.3% for 500ms

6.4. Test Procedure

The power cord of the EUT is connected to the output of the test system. Turn on the power of the EUT and use the test system to test the harmonic current level.

6.5. Test Results

PASS

Please refer to the following page.



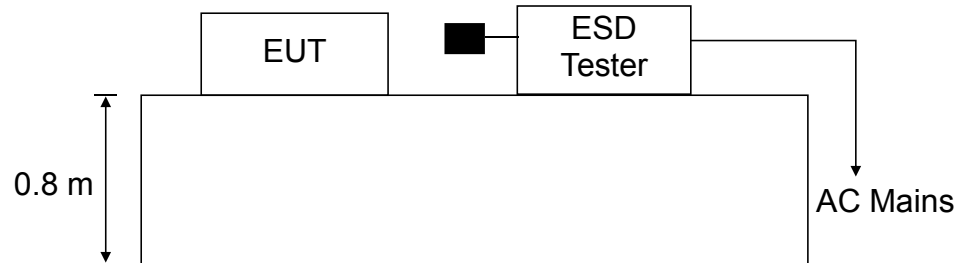
Flicker Test Data			
Temperature:	25.1°C	Relative Humidity:	56%
Pressure:	1008hPa	Phase :	Vertical
Test Voltage :	AC 230V/50Hz	Test Mode:	ON

Voltage Fluctuation	Limit	Value
Relative Voltage Change Characteristic Tmax (dc>3%)	500 ms	0 ms
Maximum Relative Voltage Change dmax	4%	0.00
	6%	/
	7%	/
Relative Steady-state Voltage Change dc	3.3%	0.00

Flicker	Limit	Value
Short-term Flicker Indicator Pst	1.0	0.186
Long-term Flicker Indicator Plt	0.65	/

7. ELECTROSTATIC DISCHARGE IMMUNITY TEST

7.1. Block Diagram of Test Setup



7.2. Test Standard

EN IEC 55014-2:2021, EN 61000-4-2:2009

Severity Level: 3 / Air Discharge: ±8KV

Level: 2 / Contact Discharge: ±4KV

7.3. Severity Levels and Performance Criterion

7.3.1 Severity level

Level	Test Voltage Contact Discharge (KV)	Test Voltage Air Discharge (KV)
1.	±2	±2
2.	±4	±4
3.	±6	±8
4.	±8	±15
X	Special	Special

7.3.2 Performance criterion : B

- A.** The apparatus shall continue to operate as intended during the test. No degradation of performance or loss of function is allowed below a performance level (or permissible loss of performance) specified by the manufacturer, when the apparatus is used as i

- B.** The apparatus shall continue to operate as intended after the test. No degradation of performance or loss of function is allowed below a performance level (or permissible loss of performance) specified by the manufacturer, when the apparatus is used as intended. During the test, degradation of performance is allowed, however, no change of actual operating state or stored data is allowed. If the minimum performance level or the permissible performance loss is not specified by the manufacturer, then either of these may be derived from the product description and documentation, and from what the user may reasonably expect from the apparatus if used as intended.
- C.** Temporary loss of function is allowed, provided the function is self-recoverable or can be restored by the operation of the controls, or by any operation specified in the instructions for use.

7.4.EUT Configuration

The following equipments are installed on Electrostatic Discharge Immunity test to meet EN IEC 55014-2:2021, EN 61000-4-2:2009, requirement and operating in a manner which tends to maximize its emission characteristics in a normal application. The configuration of EUT is the same as used in conducted emission test.

Please refer to Section 2.5.

7.5.Operating Condition of EUT

Same as conducted emission measurement, which is listed in Section 3.5 except the test setup replaced by Section 7.1.2.

7.6.Test Procedure

7.6.1 Air Discharge:

This test is done on a non-conductive surface. The round discharge tip of the discharge electrode shall be approached as fast as possible to touch the EUT. After each discharge, the discharge electrode shall be removed from the EUT. The generator is then re-triggered for a new single discharge and repeated 10 times for each pre-selected test point. This procedure shall be repeated until all the air discharge completed.

7.6.2 Contact Discharge:

All the procedure shall be same as Section 7.6.1. Except that the tip of the discharge electrode shall touch the EUT before the discharge switch is operated.

7.6.3 Indirect discharge for horizontal coupling plane

At least 10 single discharges (in the most sensitive polarity) shall be applied

at the front edge of each HCP opposite the center point of each unit (if applicable) of the EUT and 0.1m from the front of the EUT. The long axis of the discharge electrode shall be in the plane of the HCP and perpendicular to its front edge during the discharge.

7.6.4 Indirect discharge for vertical coupling plane

At least 10 single discharges (in the most sensitive polarity) shall be applied to the center of one vertical edge of the coupling plane. The coupling plane, of dimensions 0.5m X 0.5m, is placed parallel to, and positioned at a distance of 0.1m from the EUT. Discharges shall be applied to the coupling plane, with this plane in sufficient different positions that the four faces of the EUT are complete illuminated.

7.7. Test Results

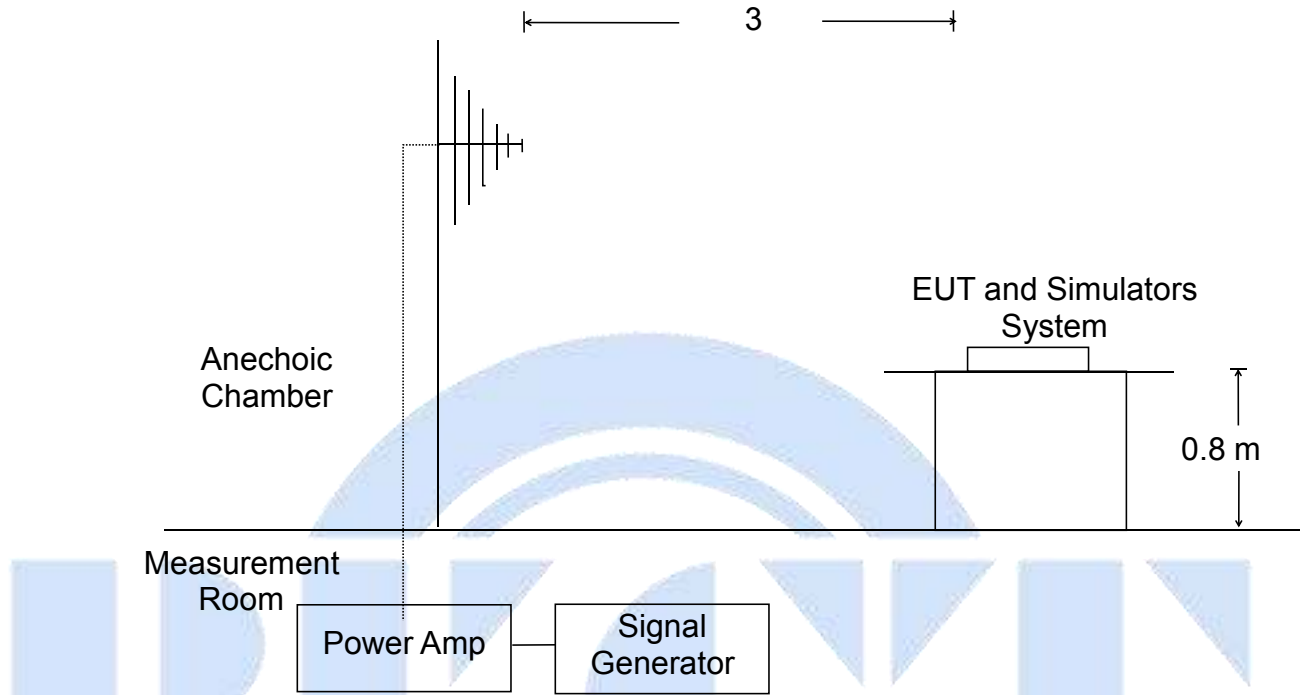
PASS

Please refer to the following page.

ESD Test Data				
Temperature:	25.1°C	Humidity:	56%	
Power Supply :	AC 230V/50Hz	Test Mode:	On	
Air Discharge: ± 8KV Contact Discharge: ± 4KV				
Test Points	Air Discharge	Contact Discharge	Performance Criterion	Result
Enclosure	±2,4,8 KV	N/A	B	PASS
Slit	±2,4,8 KV	N/A	B	PASS
Screw	N/A	±2,4 KV	B	PASS
VCP	N/A	±2,4 KV	B	PASS
HCP	N/A	±2,4 KV	B	PASS
Note: N/A				

8. RF FIELD STRENGTH SUSCEPTIBILITY TEST

8.1. Block Diagram of Test Setup



8.2. Test Standard

EN IEC 55014-2:2021,
EN IEC 61000-4-3:2020

Severity Level 2, 3V / m

8.3. Severity Levels and Performance Criterion

8.3.1. Severity level

Level	Field Strength V/m
1.	1
2.	3
3.	10
X.	Special

8.3.2. Performance criterion: A

- A、 The apparatus shall continue to operate as intended during the test. No degradation of performance or loss of function is allowed below a performance level (or permissible loss of performance) specified by the manufacturer, when the apparatus is used as i
- B、 The apparatus shall continue to operate as intended after the test. No degradation of performance or loss of function is allowed below a performance level (or permissible loss of performance) specified by the manufacturer, when the apparatus is used as intended. During the test, degradation of performance is allowed, however, no change of actual operating state or stored data is allowed. If the minimum performance level or the permissible performance loss is not specified by the manufacturer, then either of these may be derived from the product description and documentation, and from what the user may reasonably expect from the apparatus if used as intended.
- C、 Temporary loss of function is allowed, provided the function is self-recoverable or can be restored by the operation of the controls, or by any operation specified in the instructions for use.

8.4. EUT Configuration on Test

The following equipments are installed on Electrical Fast Transient/Burst Immunity test to meet EN IEC 55014-2:2021, EN 61000-4-4:2012, requirement and operating in a manner which tends to maximize its emission characteristics in a normal application. The configuration of EUT is the same as used in conducted emission test. Please refer to Section 3.4.

8.5. Operating Condition of EUT

Same as conducted emission measurement, which is listed in Section 2.6 except the test setup replaced by Section 8.1.

8.6. Test Procedure

The EUT and its simulators are placed on a turn table which is 0.8 meter above ground. EUT is set 3 meter away from the transmitting antenna which is mounted on an antenna tower. Both horizontal and vertical polarization of the antenna are set on test. Each of the four sides of EUT must be faced this transmitting antenna and measured individually.

All the scanning conditions are as follows :

Condition of Test	Remarks
1. Fielded Strength	3 V/m (Severity Level 2)
2. Radiated Signal	Modulated
3. Scanning Frequency	80 – 1000 MHz
4. Dwell time of radiated	0.0015 decade/s
5. Waiting Time	1 Sec.

8.7. Test Results

PASS

Please refer to the following page.

R/S Test Data			
Temperature : 25.1°C		Humidity : 56%	
Field Strength: 3 V/m		Criterion: A	
Power Supply: AC 230V/50Hz		Frequency Range: 80 MHz to 1000 MHz	
Modulation: <input checked="" type="checkbox"/> AM <input type="checkbox"/> Pulse <input type="checkbox"/> N/A 1 KHz 80%			
Test Mode : On			
Frequency Range : 80-1000MHz			
Steps	1 %		
	Horizontal	Vertical	Result
Front	A	A	Pass
Right	A	A	Pass
Rear	A	A	Pass
Left	A	A	Pass
Note: N/A			

9. ELECTRICAL FAST TRANSIENT/BURST IMMUNITY TEST

9.1. Block Diagram of EUT Test Setup



9.2. Test Standard

EN IEC 55014-2:2021, EN 61000-4-4:2012

9.3. Severity Levels and Performance Criterion

Severity Level 2 at 1KV, Pulse Rise time & Duration: 5 nS / 50 nS

Severity Level:

Open Circuit Output Test Voltage $\pm 10\%$		
Level	On power ports	On I/O(Input/Output) Signal data and control ports
1.	0.5KV	0.25KV
2.	1KV	0.5KV
3.	2KV	1KV
4.	4KV	2KV
X.	Special	Special

Performance criterion: B

- A. The apparatus shall continue to operate as intended during the test. No degradation of performance or loss of function is allowed below a performance level (or permissible loss of performance) specified by the manufacturer, when the apparatus is used as i
- B. The apparatus shall continue to operate as intended after the test. No degradation of performance or loss of function is allowed below a performance level (or permissible loss of performance) specified by the manufacturer, when the apparatus is used as intended. During the test, degradation of performance is allowed, however, no change of actual operating state or stored data is allowed. If the minimum performance level or the permissible performance loss is not specified by the manufacturer, then either of these may be derived from the product description and documentation, and from what the user may reasonably expect from the apparatus if used as intended.
- C. Temporary loss of function is allowed, provided the function is self-recoverable or can be restored by the operation of the controls, or by any operation specified in the instructions for use.

9.4. EUT Configuration on Test

The following equipments are installed on Electrical Fast Transient/Burst Immunity test to meet EN IEC 55014-2:2021, EN 61000-4-4:2012, requirement and operating in a manner which tends to maximize its emission characteristics in a normal application. The configuration of EUT is the same as used in conducted emission test. Please refer to Section 3.4.

9.5. Operating Condition of EUT

Same as conducted emission measurement, which is listed in Section 2.7 except the test setup replaced by Section 9.1.

9.6. Test Procedure

EUT shall be placed 0.8m high above the ground reference plane which is a min. 1m*1m metallic sheet with 0.65mm minimum thickness. This reference ground plane shall project beyond the EUT by at least 0.1m on all sides and the minimum distance between EUT and all other conductive structure, except the ground plane beneath the EUT, shall be more than 0.5m

9.6.1. For input and output AC power ports:

The EUT is connected to the power mains by using a coupling device which couples the EFT interference signal to AC power lines. Both polarities of the test voltage should be applied during compliance test and the duration of the test is 2 minutes.

9.7. Test Results

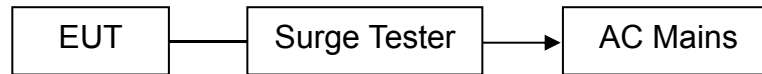
PASS

Please refer to the following page.

EFT Test Data				
Temperature:	25.1℃	Humidity:	56%	
Power Supply :	AC 230V/50Hz	Test Mode:	On	
Coupling Line	Test Voltage		Performance Criterion	Result
	±0.5kV	±1kV		
L	±0.5kV	±1kV	B	PASS
N	±0.5kV	±1kV	B	PASS
L-N	±0.5kV	±1kV	B	PASS
PE	±0.5kV	±1kV	B	N/A
L-PE	±0.5kV	±1kV	B	N/A
N-PE	±0.5kV	±1kV	B	N/A
L-N-PE	±0.5kV	±1kV	B	N/A
DC Line	/	/		/
Note: N/A				

10. SURGE TEST

10.1. Block Diagram of EUT Test Setup



10.2. Test Standard

EN IEC 55014-2:2021, EN 61000-4-5:2014+A1:2017

10.3. Severity Levels and Performance Criterion

Severity Level: Line to Line, Level 2 at 1KV;
Severity Level: Line to Earth, Level 3 at 2KV.

Severity Level	Open-Circuit Test Voltage (KV)
1.	0.5
2.	1.0
3.	2.0
4.	4.0
X.	Special

Performance criterion: B

- A. The apparatus shall continue to operate as intended during the test. No degradation of performance or loss of function is allowed below a performance level (or permissible loss of performance) specified by the manufacturer, when the apparatus is used as i
- B. The apparatus shall continue to operate as intended after the test. No degradation of performance or loss of function is allowed below a performance level (or permissible loss of performance) specified by the manufacturer, when the apparatus is used as intended. During the test, degradation of performance is allowed, however, no change of actual operating state or stored data is allowed. If the minimum performance level or the permissible performance loss is not specified by the manufacturer, then either of these may be derived from the product description and documentation, and from what the user may reasonably expect from the apparatus if used as intended.
- C. Temporary loss of function is allowed, provided the function is self-recoverable or can be restored by the operation of the controls, or by any operation specified in the instructions for use.

10.4. EUT Configuration on Test

The following equipments are installed on Electrical Fast Transient/Burst Immunity test to meet EN IEC 55014-2:2021, EN 61000-4-5:2014+A1:2017, requirement and operating in a manner which tends to maximize its emission characteristics in a normal application

The configuration of EUT is the same as used in conducted emission test. Please refer to Section 3.4.

10.5. Operating Condition of EUT

Same as conducted emission measurement, which is listed in Section 2.7 except the test setup replaced by Section 10.1.

10.6. Test Procedure

- 1) Set up the EUT and test generator as shown on section 10.1
 - 2) For line to line coupling mode, provide a 1KV 1.2/50us voltage surge (at open-circuit condition) and 8/20us current surge to EUT selected points.
 - 3) At least 5 positive and 5 negative (polarity) tests with a maximum 1/min repetition rate are conducted during test.
 - 4) Different phase angles are done individually.
 - 5) Repeat procedure 2) to 4) except the open-circuit test voltage change from 1KV to 2KV for line to earth coupling mode test.
- Record the EUT operating situation during compliance test and decide the EUT immunity criterion for above each test.

10.7. Test Result

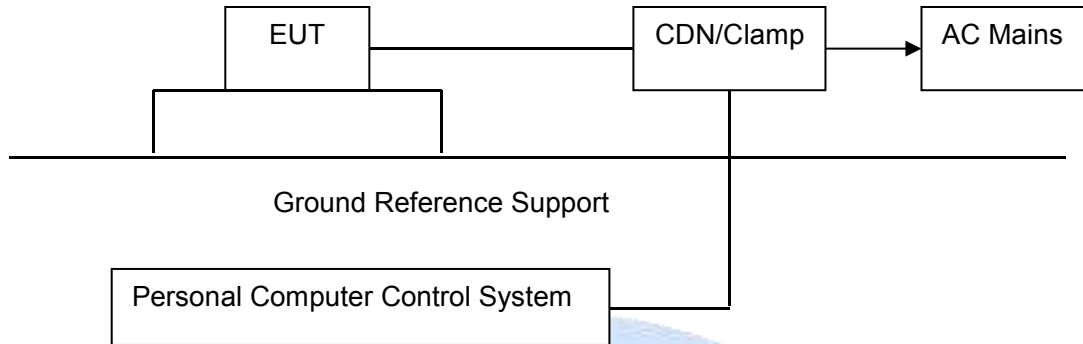
PASS

Please refer to the following page.

Surge Test Data						
Temperature:	25.1℃		Humidity:	56%		
Power Supply :	AC 230V/50Hz		Test Mode:	On		
Location	Polarity	Phase Angle	No of Pulse	Pulse Voltage (KV)	Performance Criterion	Result
L-N	+	90	5	1	B	Pass
	-	270	5	1		Pass
L-PE	+	90	5	2		N/A
	-	270	5	2		N/A
N-PE	+	90	5	2		N/A
	-	270	5	2		N/A
Note: N/A						

11. INJECTED CURRENTS SUSCEPTIBILITY TEST

11.1. Block Diagram of EUT Test Setup



11.2. Test Standard

EN IEC 55014-2:2021, EN 61000-4-6:2014

11.3. Severity Levels and Performance Criterion

Severity Level 2: 3V(rms), 150KHz ~ 80MHz

Severity Level:

Level	Field Strength V
1.	1
2.	3
3.	10
X.	Special

Performance criterion: A

- A. The apparatus shall continue to operate as intended during the test. No degradation of performance or loss of function is allowed below a performance level (or permissible loss of performance) specified by the manufacturer, when the apparatus is used as intended.
- B. The apparatus shall continue to operate as intended after the test. No degradation of performance or loss of function is allowed below a performance level (or permissible loss of performance) specified by the manufacturer, when the apparatus is used as intended. During the test, degradation of performance is allowed, however, no change of actual operating state or stored data is allowed. If the minimum performance level or the permissible performance loss is not specified by the manufacturer, then either of these may be derived from the product description and documentation, and from what the user may reasonably expect from the apparatus if used as intended.
- C. Temporary loss of function is allowed, provided the function is self-recoverable or can be restored by the operation of the controls, or by any operation specified in the instructions for use.

11.4. EUT Configuration on Test

The configuration of EUT is the same as used in conducted emission test. Please refer to Section 2.8.

11.5. Operating Condition of EUT

Same as conducted emission test, which is listed in Section 2.8 except the test set up replaced as Section 11.1.

11.6. Test Procedure

- 1) Set up the EUT, CDN and test generator as shown on section 11.1
- 2) Let EUT work in test mode and measure.
- 3) The EUT and supporting equipments are placed on an insulating support 0.1m high above a ground reference plane. CDN (coupling and decoupling device) is placed on the ground plane at above 0.1-0.3m from EUT. Cables between CDN and EUT are as short as possible, and their height above the ground reference plane shall be between 30 and 50 mm (where possible).
- 4) The disturbance signal described below is injected to EUT through CDN.
- 5) The EUT operates within its operational mode(s) under intended climatic conditions after power on.

- 6) The frequency range is swept from 150KHz to 80MHz using 3V signal level, and with the disturbance signal 80% amplitude modulated with a 1KHz sine wave
- 6) The rate of sweep shall not exceed 1.5×10^{-3} decades/s. Where the frequency is swept incrementally, the step size shall not exceed 1% of the start and thereafter 1% of the preceding frequency value.
- 7) Recording the EUT operating situation during compliance test and decide the EUT immunity criterion for above each test.

11.7. Test Result

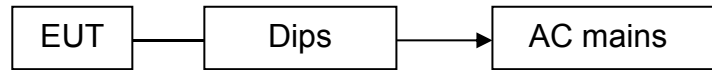
PASS

Please refer to the following page.

CS Test Data						
Temperature:		25.1°C		Humidity:		56%
Power Supply :		AC 230V/50Hz		Test Mode:		On
Frequency Range(MHz)	Injected Position	Strength	Modulation Signal	Freq. Step	Performance Criterion	Result
150KHz ~ 80MHz	AC Line	3V(rms), Unmodulated	AM 80%, 1kHz sine wave	1%	A	Pass
150KHz ~ 80MHz	DC Line	3V(rms), Unmodulated	AM 80%, 1kHz sine wave	1%	/	/
Note: N/A						

12. VOLTAGE DIPS AND INTERRUPTIONS TEST

12.1. Block Diagram of EUT Test Setup



12.2. Test Standard

EN IEC 55014-2:2021, EN IEC 61000-4-11:2020

12.3. Severity Levels and Performance Criterion

Severity Level:

Input and Output AC Power Ports.

- Voltage Dips.
- Voltage Interruptions.

Environmental Phenomena	Test Specification	Units	Performance Criterion
Voltage Dips	70	% Reduction period	C
	25		
Voltage Interruptions	40	% Reduction period	C
	10		
	0	% Reduction period	C
	0.5	% Reduction period	C

Performance criterion: B, C, C

- A. The apparatus shall continue to operate as intended during the test. No degradation of performance or loss of function is allowed below a performance level (or permissible loss of performance) specified by the manufacturer, when the apparatus is used as i
- B. The apparatus shall continue to operate as intended after the test. No degradation of performance or loss of function is allowed below a performance level (or permissible loss of performance) specified by the manufacturer, when the apparatus is used as intended. During the test, degradation of performance is allowed, however, no change of actual operating state or stored data is allowed. If the minimum performance level or the permissible performance loss is not specified by the manufacturer, then either of these may be derived from the product description and documentation, and from what the user may reasonably expect from the apparatus if used as intended.

- C. Temporary loss of function is allowed, provided the function is self-recoverable or can be restored by the operation of the controls, or by any operation specified in the instructions for use.

12.4. EUT Configuration on Test

The configuration of EUT is the same as used in conducted emission test. Please refer to Section 2.7.

12.5. Operating Condition of EUT

Same as conducted emission test, which is listed in Section 2.8 except the test set up replaced as Section 12.1.

12.6. Test Procedure

- 1) Set up the EUT and test generator as shown on section 12.1
- 2) The interruption is introduced at selected phase angles with specified duration. There is a 3mins minimum interval between each test event.
- 3) After each test a full functional check is performed before the next test.
- 4) Repeat procedures 2 & 3 for voltage dips, only the level and duration is changed.
- 5) Record any degradation of performance.

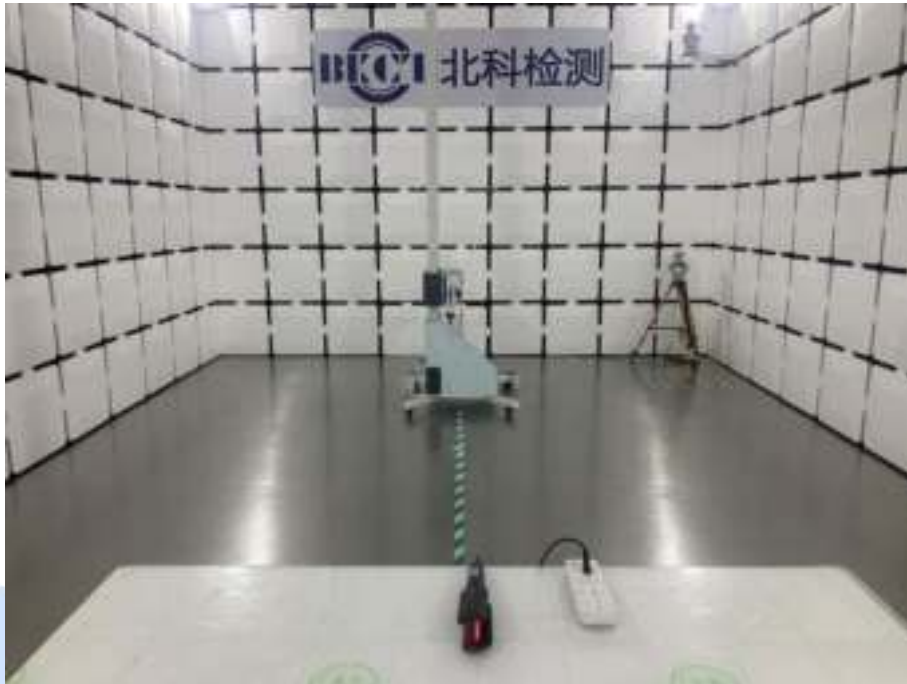
12.7. Test Result

PASS

Please refer to the following page.

DIPS Test Data			
Temperature:	25.1°C	Humidity:	56%
Power Supply :	AC 230V/50Hz	Test Mode:	On
Environmental Phenomena	Test Specification	Units	Performance Criterion
Voltage Dips	70 25	% Reduction period	C
	40 10	% Reduction period	C
Voltage Interruptions	0 0.5	% Reduction period	C

13.EUT TEST PHOTO



Radiated Emission



Conducted Emission

14.PHOTOGRAPHS

Photo 1



Photo 2



Photo 3



Photo 4



***** END OF REPORT *****