

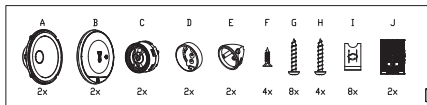
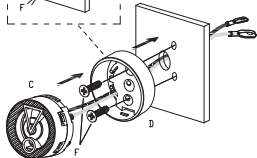
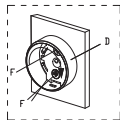
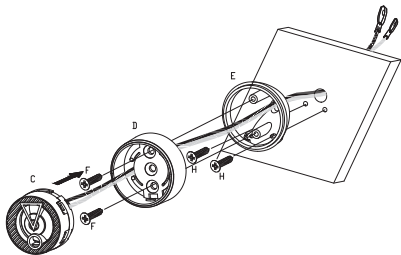


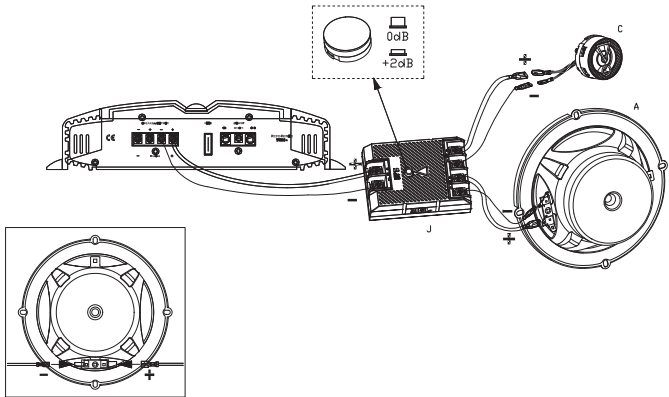
Installation manual

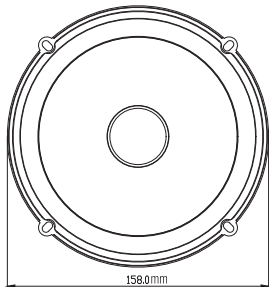
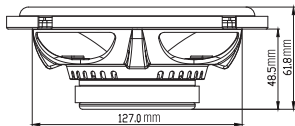
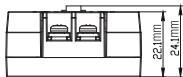
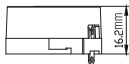
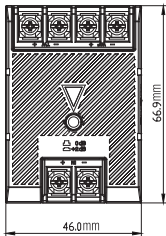
STAGE3 607C
STAGE3 607CF
STAGE3 427
STAGE3 427F
STAGE3 527

STAGE3 527F
STAGE3 627
STAGE3 627F
STAGE3 637F
STAGE3 6427

STAGE3 8627
STAGE3 9637
STAGE3 9637F







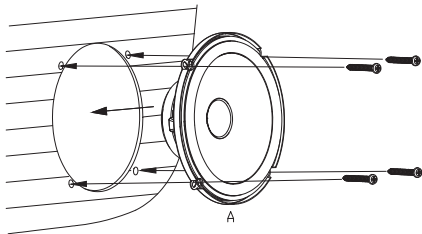
Specification

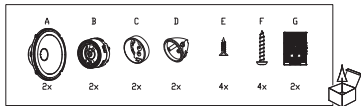
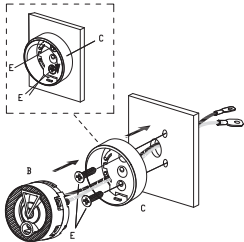
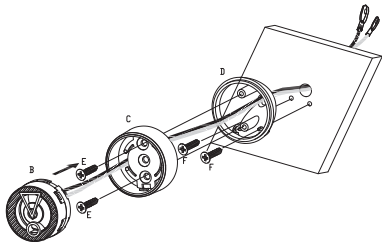
- Type: 6-1/2" (165mm) 2-way component system car speaker
- Power Handling: 50W RMS, 250W (Peak)
- Sensitivity (@2.83V/1m): 92dB
- Frequency Response: 55Hz - 20kHz
- Impedance: 3ohms

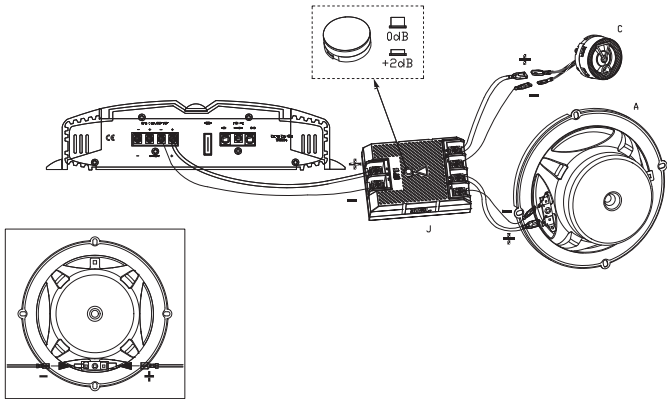
Thiele-Small Parameters

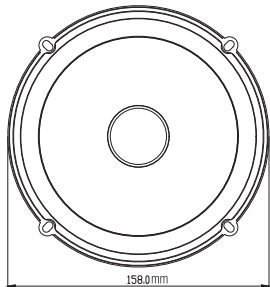
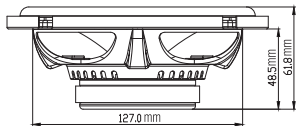
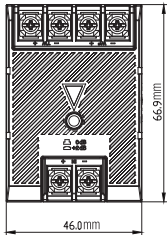
- BL (Tm): 3.316
- DCR (ohms): 2.45
- Mms (g): 14.017
- Sd (cm²): 138.93
- Cms (μm/N): 0.316
- Vas (l): 8.6375
- Fs (Hz): 75.6
- Qes: 1.482
- Qms: 11.842
- Qts: 1.317
- Crossover Point: 5kHz

STAGE3 607CF









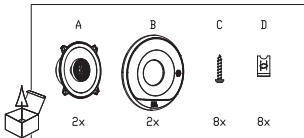
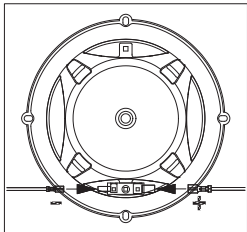
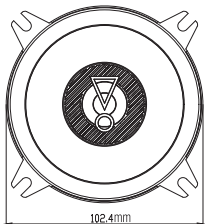
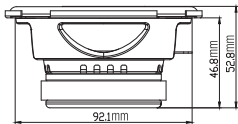
Specification

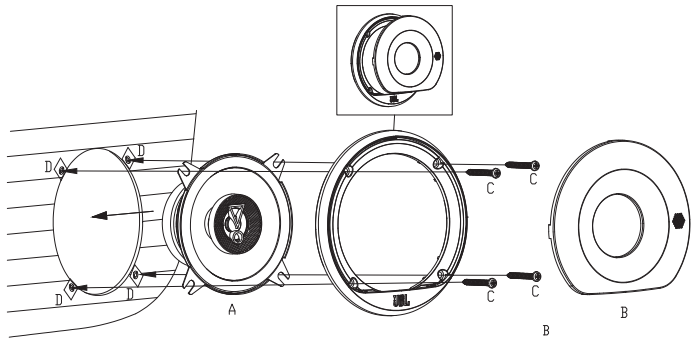
- Type: 6-1/2" (165mm) 2-way component system car speaker for factory upgrade without grille
- Power Handling: 50W RMS, 250W (Peak)
- Sensitivity (@2.83V/1m): 92dB
- Frequency Response: 55Hz - 20kHz
- Impedance: 3ohms

Thiele-Small Parameters

- BL (Tm): 3.316
- DCR (ohms): 2.45
- Mms (g): 14.017
- Sd (cm²): 138.93
- Cms (μm/N): 0.316
- Vas (l): 8.6375
- Fs (Hz): 75.6
- Qes: 1.482
- Qms: 11.842
- Qts: 1.317
- Crossover Point: 5kHz

STAGE3 427





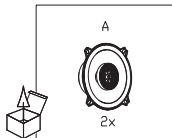
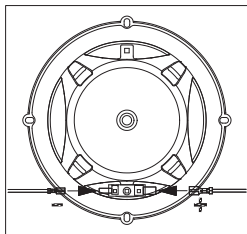
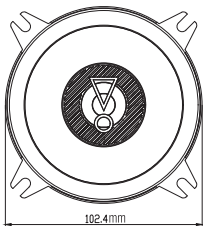
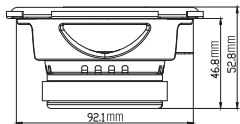
Specification

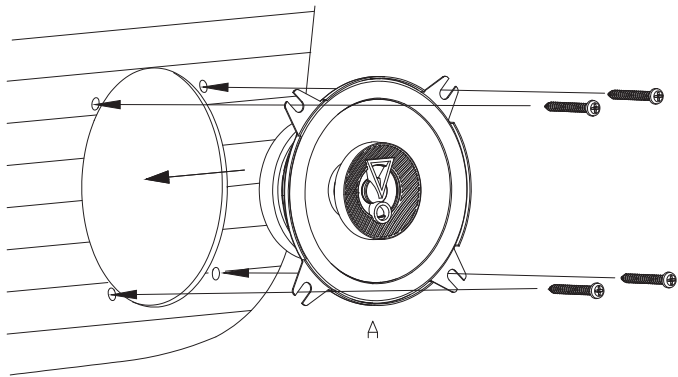
- Type: 4" (100mm) 2-way coaxial car speaker
- Power Handling: 30W RMS, 150W (Peak)
- Sensitivity (@2.83V/1m): 90dB
- Frequency Response: 75Hz - 20kHz
- Impedance: 3ohms

Thiele-Small Parameters

- BL (Tm): 2.467
- DCR (ohms): 2.74
- Mms (g): 5.501
- Sd (cm²): 63.62
- Cms (μm/N): 0.387
- Vas (l): 2.2146
- Fs (Hz): 109.1
- Qes: 1.698
- Qms: 12.973
- Qts: 1.501
- Crossover Point: 7kHz

STAGE3 427F





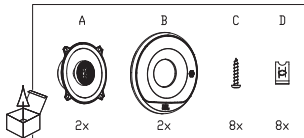
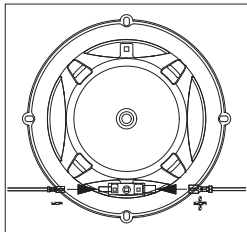
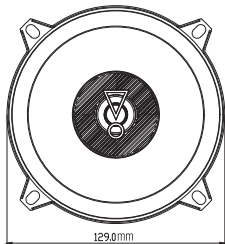
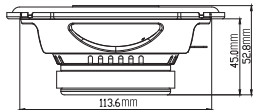
Specification

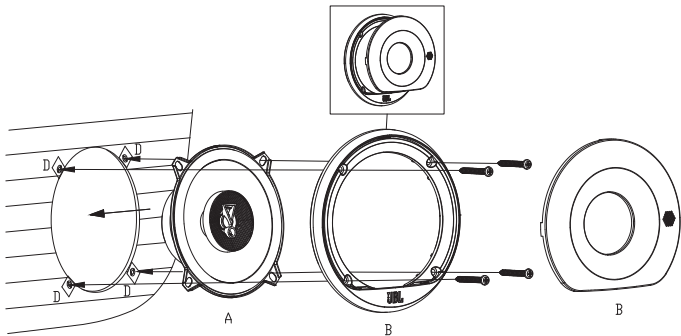
- Type: 4" (100mm) 2-way coaxial car speaker for factory upgrade without grille
- Power Handling: 30W RMS, 150W (Peak)
- Sensitivity (@2.83V/1m): 90 dB
- Frequency Response: 75Hz - 20kHz
- Impedance: 3 ohms

Thiele-Small Parameters

- BL (Tm): 2.467
- DCR (ohms): 2.74
- Mms (g): 5.501
- Sd (cm²): 63.62
- Cms ($\mu\text{m}/\text{N}$): 0.387
- Vas (l): 2.2146
- Fs (Hz): 109.1
- Qes: 1.698
- Qms: 12.973
- Qts: 1.501
- Crossover Point: 7kHz

STAGE3 527





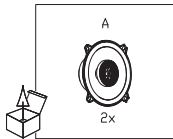
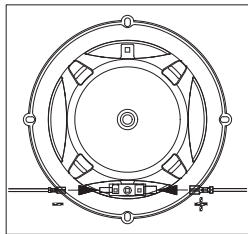
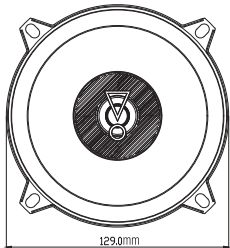
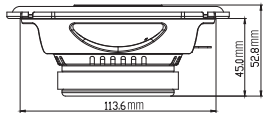
Specification

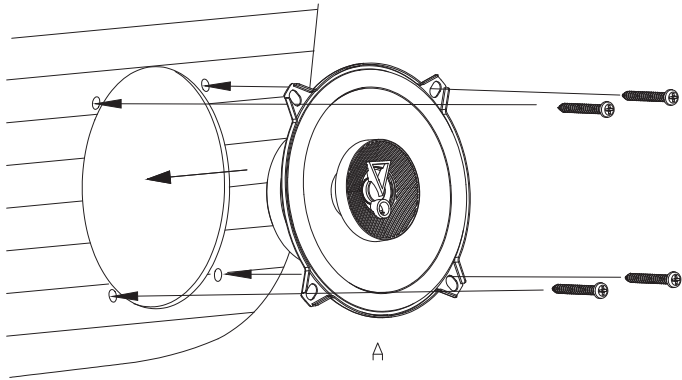
- Type: 5-1/4" (130mm) 2-way coaxial car speaker
- Power Handling: 40W RMS, 200W (Peak)
- Sensitivity (@2.83V/1m): 91dB
- Frequency Response: 75Hz - 20kHz
- Impedance: 3ohms

Thiele-Small Parameters

- BL (Tm): 3.148
- DCR (ohms): 2.61
- Mms (g): 9.81
- Sd (cm²): 102.07
- Cms (μm/N): 0.281
- Vas (l): 4.1374
- Fs (Hz): 95.9
- Qes: 1.555
- Qms: 13.546
- Qts: 1.395
- Crossover Point: 6kHz

STAGE3 527F





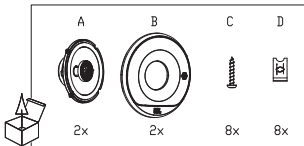
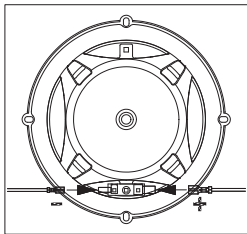
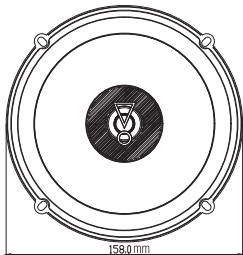
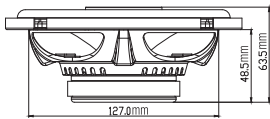
Specification

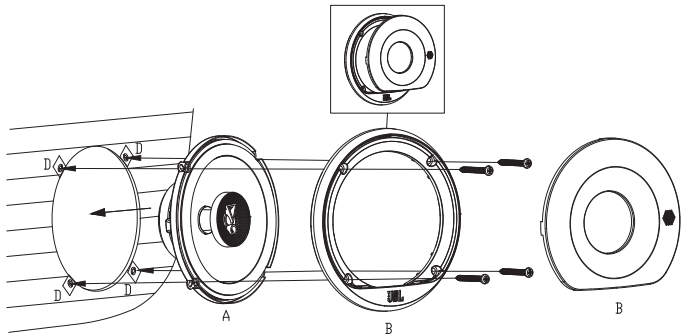
- Type: 5-1/4" (130mm) 2-way coaxial car speaker for factory upgrade without grille
- Power Handling: 40W RMS, 200W (Peak)
- Sensitivity (@2.83V/1m): 91dB
- Frequency Response: 75Hz - 20kHz
- Impedance: 3ohms

Thiele-Small Parameters

- BL (Tm): 3.148
- DCR (ohms): 2.61
- Mms (g): 9.81
- Sd (cm²): 102.07
- Cms (μm/N): 0.281
- Vas (l): 4.1374
- Fs (Hz): 95.9
- Qes: 1.555
- Qms: 13.546
- Qts: 1.395
- Crossover Point: 6kHz

STAGE3 627





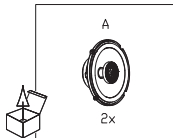
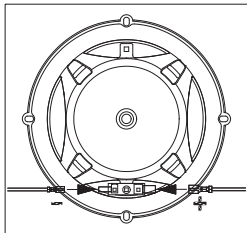
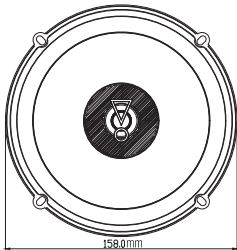
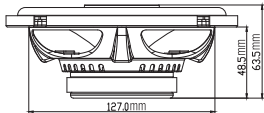
Specification

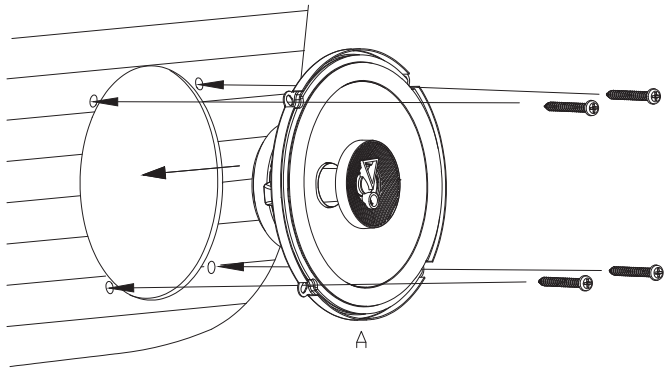
- Type: 6-1/2" (160mm) 2-way coaxial car speaker
- Power Handling: 45W RMS, 225W (Peak)
- Sensitivity (@2.83V/1m): 92dB
- Frequency Response: 55Hz - 20kHz
- Impedance: 3ohms

Thiele-Small Parameters

- BL (Tm): 3.347
- DCR (ohms): 2.43
- Mms (g): 13.661
- Sd (cm²): 138.93
- Cms (μm/N): 0.339
- Vas (l): 9.2635
- Fs (Hz): 73.9
- Qes: 1.377
- Qms: 13.148
- Qts: 1.246
- Crossover Point: 5kHz

STAGE3 627F





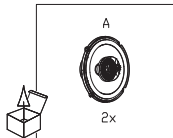
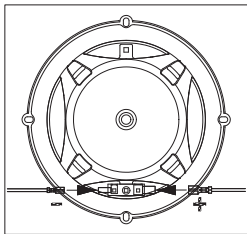
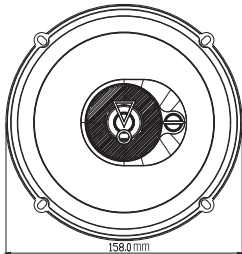
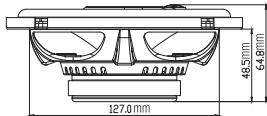
Specification

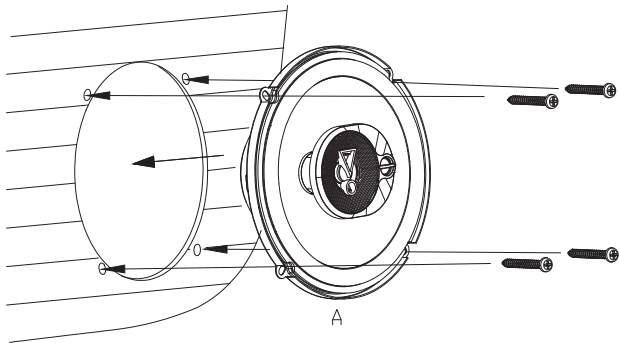
- Type: 6-1/2" (160mm) 2-way coaxial car speaker for factory upgrade without grille
- Power Handling: 45W RMS, 225W (Peak)
- Sensitivity (@2.83V/1m): 92dB
- Frequency Response: 55Hz - 20kHz
- Impedance: 3ohms

Thiele-Small Parameters

- BL (Tm): 3.347
- DCR (ohms): 2.43
- Mms (g): 13.661
- Sd (cm²): 138.93
- Cms (μm/N): 0.339
- Vas (l): 9.2635
- Fs (Hz): 73.9
- Qes: 1.377
- Qms: 13.148
- Qts: 1.246
- Crossover Point: 5kHz

STAGE3 637F





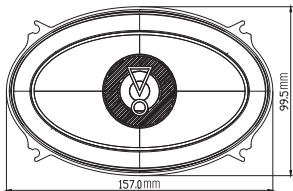
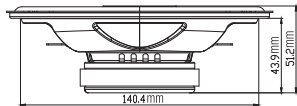
Specification

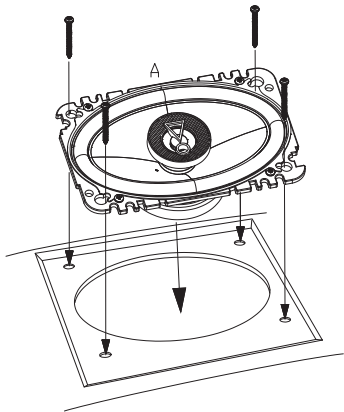
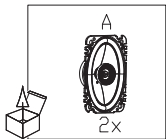
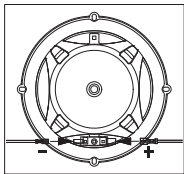
- Type: 6-1/2" (165mm) 3-way coaxial car speaker for factory upgrade without grille
- Power Handling: 45W RMS, 225W (Peak)
- Sensitivity (@2.83V/1m): 92dB
- Frequency Response: 55Hz - 20kHz
- Impedance: 3ohms

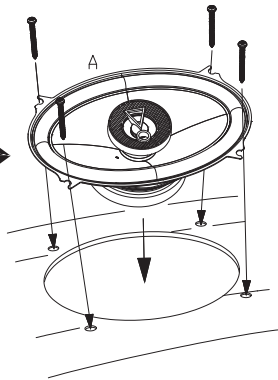
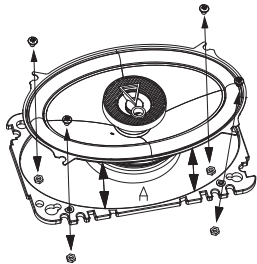
Thiele-Small Parameters

- BL (Tm): 3.347
- DCR (ohms): 2.43
- Mms (g): 13.661
- Sd (cm²): 138.93
- Cms (μm/N): 0.339
- Vas (l): 9.2635
- Fs (Hz): 73.9
- Qes: 1.377
- Qms: 13.148
- Qts: 1.246
- Crossover Point: 5kHz

STAGE3 6427







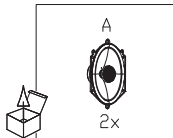
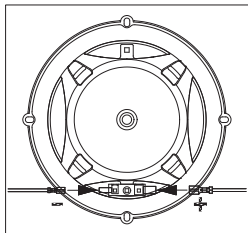
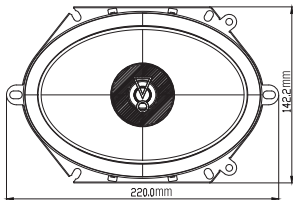
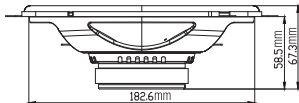
Specification

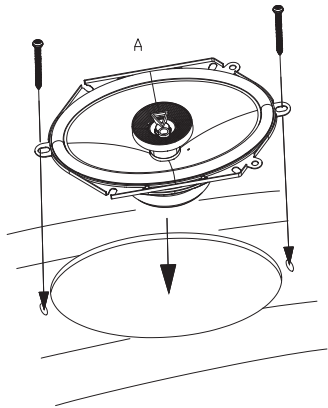
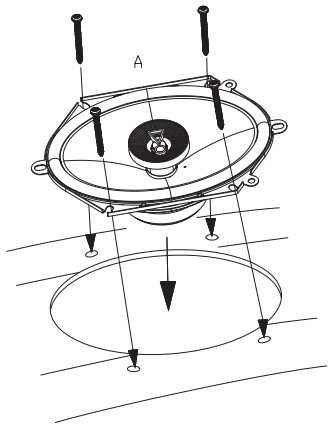
- Type: 4" x 6" (100mm x 152mm) 2-way coaxial car speaker
- Power Handling: 35W RMS, 175W (Peak)
- Sensitivity (@2.83V/1m): 91dB
- Frequency Response: 75Hz - 20kHz
- Impedance: 3ohms

Thiele-Small Parameters

- BL (Tm): 3.146
- DCR (ohms): 2.36
- Mms (g): 8.151
- Sd (cm²): 86.59
- Cms (μm/N): 0.272
- Vas (l): 2.884
- Fs (Hz): 106.9
- Qes: 1.307
- Qms: 13.178
- Qts: 1.189
- Crossover Point: 6kHz

STAGE3 8627





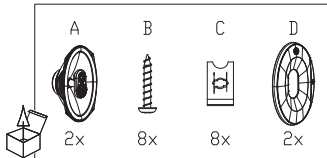
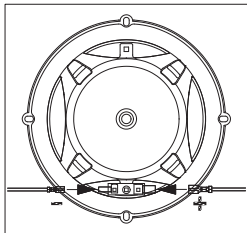
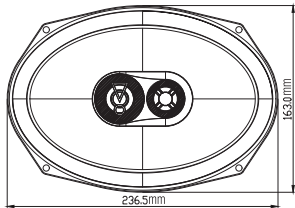
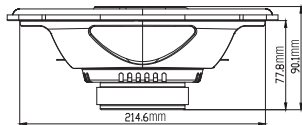
Specification

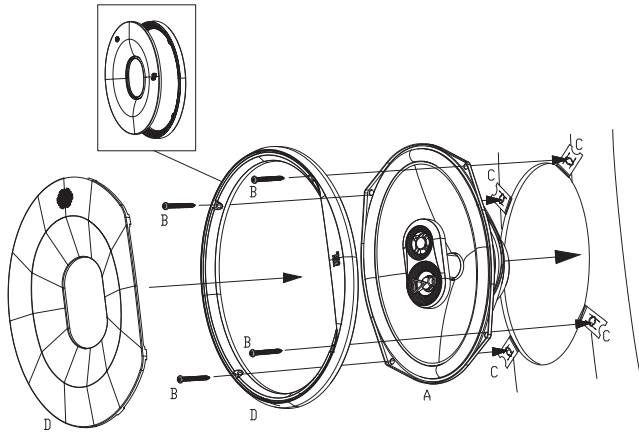
- Type: 6" x 8" (152mm x 203mm) 2-way coaxial car speaker
- Power Handling: 50W RMS, 250W (Peak)
- Sensitivity (@2.83V/1m): 93dB
- Frequency Response: 65Hz - 20kHz
- Impedance: 3ohms

Thiele-Small Parameters

- BL (Tm): 3.736
- DCR (ohms): 2.63
- Mms (g): 17.369
- Sd (cm²): 176.71
- Cms (μm/N): 0.396
- Vas (l): 7.7316
- Fs (Hz): 60.7
- Qes: 1.25
- Qms: 11.955
- Qts: 1.132
- Crossover Point: 6kHz

STAGE3 9637





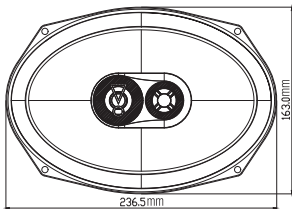
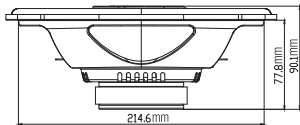
Specification

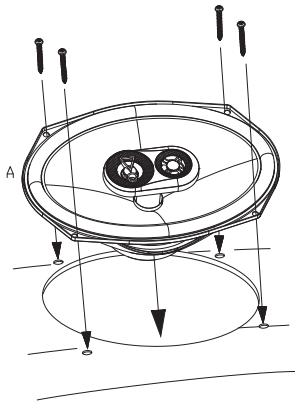
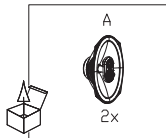
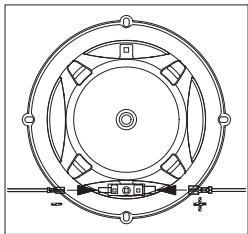
- Type: 6" x 9" (152mm x 230mm) 3-way car speaker
- Power Handling: 75W RMS, 375W (Peak)
- Sensitivity (@2.83V/1m): 93dB
- Frequency Response: 50Hz - 20kHz
- Impedance: 3ohms

Thiele-Small Parameters

- BL (Tm): 3.533
- DCR (ohms): 2.34
- Mms (g): 22.973
- Sd (cm²): 237.79
- Cms (μm/N): 0.404
- Vas (l): 32.3563
- Fs (Hz): 52.2
- Qes: 1.413
- Qms: 13.661
- Qts: 1.281
- Crossover Point: 5kHz

STAGE3 9637F





Specification

- Type: 6"x9" (152mm x 230mm) 3-way car speaker for factory upgrade without grille
- Power Handling: 75W (RMS), 375W (Peak)
- Sensitivity (@2.83V/1m): 93dB
- Frequency Response: 50Hz - 20kHz
- Impedance: 3ohms

Thiele-Small Parameters

- BL (Tm): 3.533
- DCR (ohms): 2.34
- Mms (g): 22.973
- Sd (cm²): 237.79
- Cms (μm/N): 0.404
- Vas (l): 32.3563
- Fs (Hz): 52.2
- Qes: 1.413
- Qms: 13.661
- Qts: 1.281
- Crossover Point: 5kHz



HARMAN International Industries,
Incorporated, 8500 Balboa
Boulevard, Northridge, CA 91329
USA

© 2018 HARMAN International
Industries, Incorporated. All

rights reserved. JBL is a trademark of HARMAN International
Industries, Incorporated, registered in the United States and/or
other countries.

Features, specifications and appearance are subject to change
without notice.