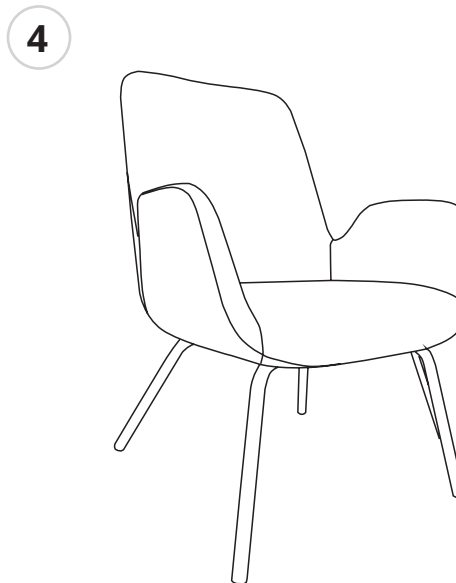
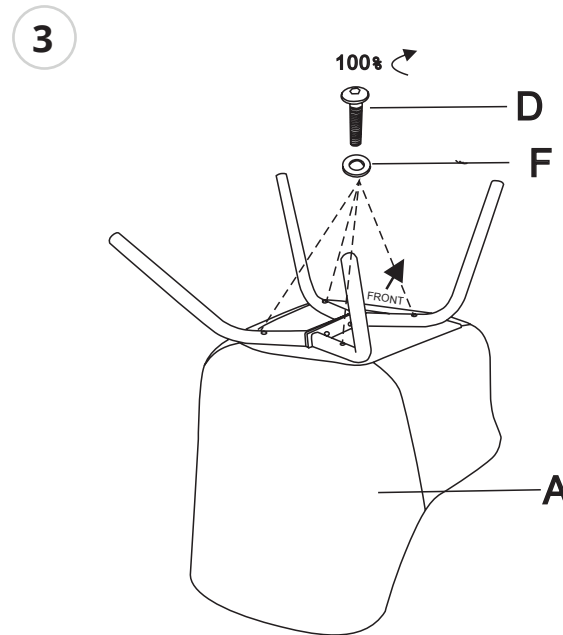
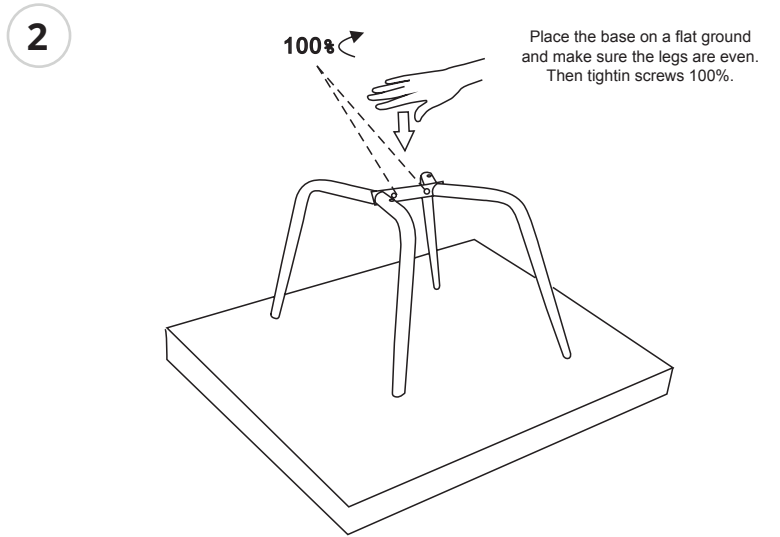
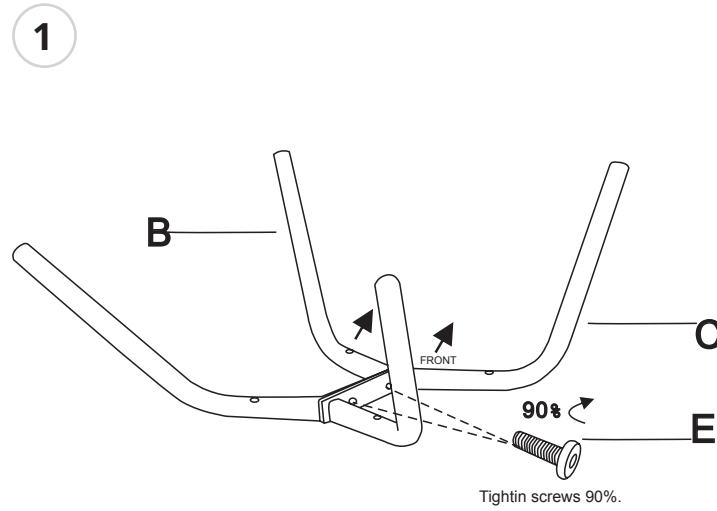


Assembly instruction | Upholstered lounge chair



Included parts

| | | | |
|---------------------|----------------------|--|--|
| A x1 | B x1 | | |
| C x1 | D x4 (M6*40) | | |
| E x2 (M8*16) | F x4 (6*16*1) | | |
| G x1 | | | |

Notes

- We recommend that you re-tighten the screws after a while for optimum retention of your chair.

