

# ARCTIS PRIME

PRODUCT  
INFORMATION  
GUIDE



# CONTENTS

Product Overview	4-5
Setup	6
Microphone	7
Ski Goggle Headband	8
Speaker Plates	9
Regulatory	10

# PRIMED FOR VICTORY

Your new headset is the result of our unyielding pursuit of perfection since 2001. We poured our hearts into creating the best possible competitive gaming headset by pushing the boundaries of sound quality, mic clarity, comfort, and style.

Arctis is our glory; now go chase yours.

## PACKAGE CONTENTS

Headset

Main Cable (47.25" / 1.2 m)

Dual 3.5 mm Extension Cable (71" / 1.8 m)

## SYSTEM COMPATIBILITY

PC

Mac

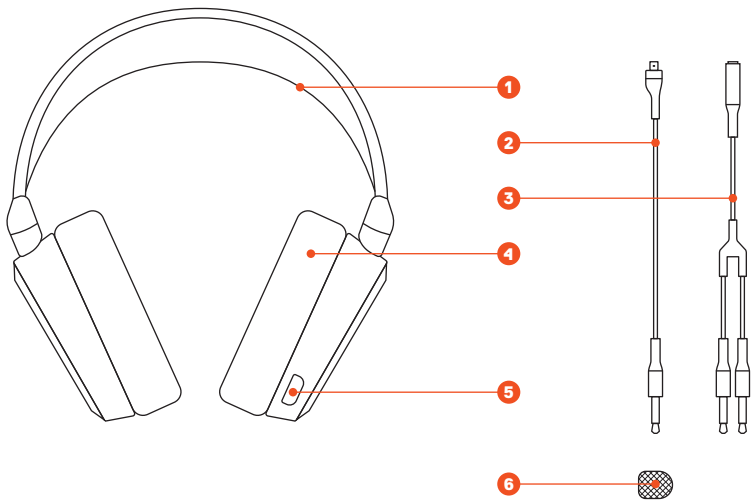
Mobile

PlayStation

Xbox

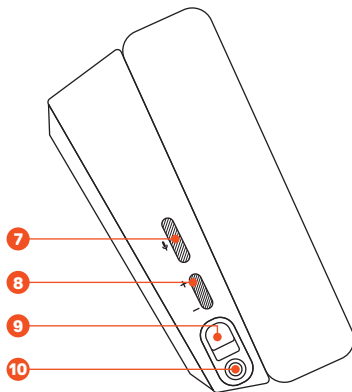
VR

# PRODUCT OVERVIEW



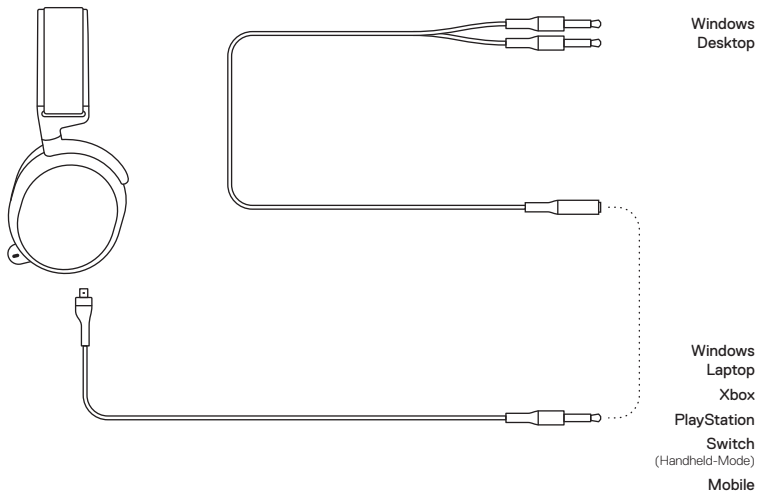
\*selected accessories available at [steelseries.com/gaming-accessories](https://steelseries.com/gaming-accessories)

- 1 Ski Goggle Headband \*
- 2 Main Headset Cable (47.25" / 1.2 m)\*
- 3 Dual 3.5 mm Extension Cable (71" / 1.8 m)
- 4 Airweave Ear Cushion\*
- 5 Retractable Microphone
- 6 Microphone Pop Filter
- 7 Microphone Mute Button
- 8 Volume Control
- 9 Main Cable Jack
- 10 Headphone Share Jack



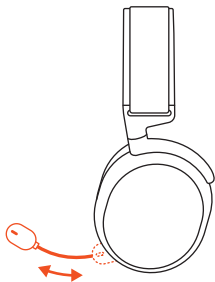
# SETUP

find help at [support.steelseries.com](https://support.steelseries.com)



# MICROPHONE

## RETRACTABLE MICROPHONE



## POSITIONING

Position the ClearCast Microphone **3** close to the corner of your mouth with the flat surface facing you



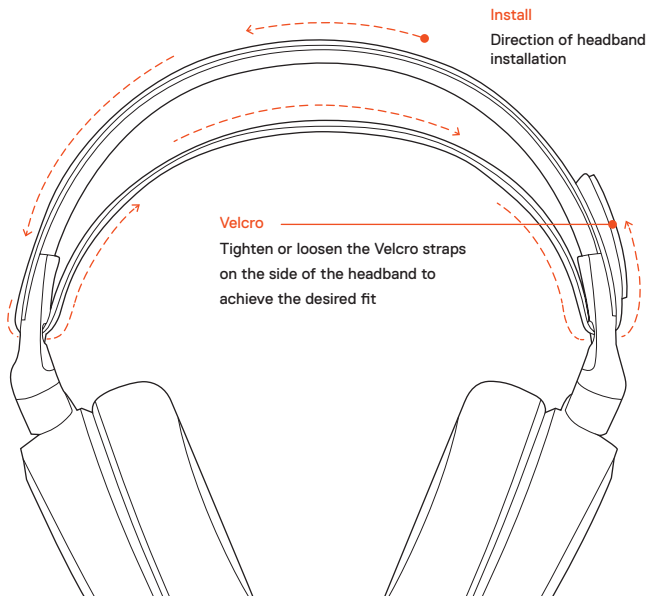
top view

front view

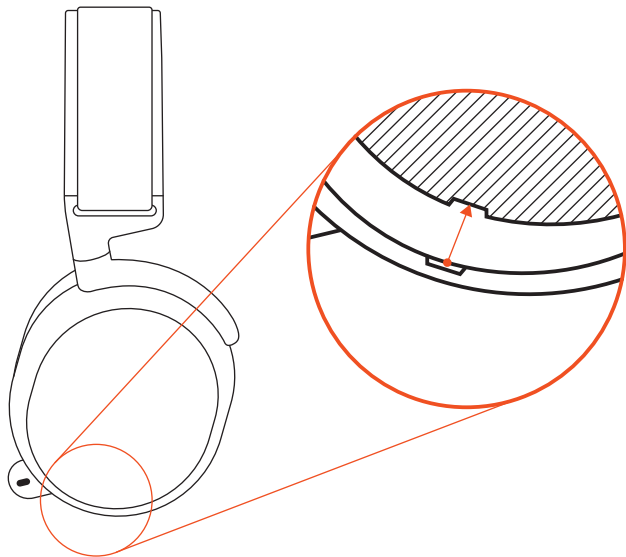




# SKI GOGGLE HEADBAND



## SPEAKER PLATE



# REGULATORY



## Europe – EU Declaration of Conformity

Hereby, SteelSeries ApS. declares that the equipment which is compliance with directive RoHS 2.0 (2015/863/EU), EMC Directive (2014/30/EU), and LVD (2014/35/EU) which are issued by the Commission of the European Community.

The full text of the EU declaration of conformity is available at the following internet address: <https://steelseries.com/>

Operating Temperature: 0 to + 40 °C

SteelSeries ApS. hereby confirms, to date, based on the feedback from our suppliers indicates that our products shipping to the EU territory comply with REACH (Registration, Evaluation, Authorization, and Restriction of Chemicals - (EC) 1907/2006) compliance program. We are fully committed to offering REACH compliance on the products and posting accurate REACH compliance status for the all of products.



## WEEE

This product must not be disposed of with your other household waste or treat them in compliance with the local regulations or contact your local city office, your household waste disposal service or the shop where you purchased the product.

## TURKEY ROHS COMPLIANCE

Republic of Turkey: In conformity with the EEE Regulation

Türkiye Cumhuriyeti: EEE Yönetmeliğine Uygundur

## 《废弃电器电子产品回收处理管理条例》提示性说明

为了更好地关爱及保护地球,当用户不再需要此产品或产品寿命终止时,请遵守国家废弃电器电子产品回收处理相关法律法规,将其交给当地具有国家认可的回收处理资质的厂商进行回收处理。



该电子电气产品含有某些有害物质,在环保使用期限内可以放心使用,超过环保使用期限之后则应该进入回收循环系统。

根据中国大陆《电子电气产品有害物质限制使用标识要求》，以下部分列出了产品中可能包含的有害物质的名称和含量：

零部件名称	有害物质					
	铅 (Pb)	汞 (Hg)	镉 (Cd)	六价铬 (Cr(VI))	多溴联苯 (PBB)	多溴二苯醚 (PBDE)
电路板组件	×	○	○	○	○	○
其他线材	×	○	○	○	○	○

\*: 电路板组件包括印刷电路板及其构成的零部件，如电阻、电容、集成电路、连接器等。

本表格依据SJ/T 11364的规定编制。

○: 表示该有害物质在该部件所有均质材料中的含量均在 GB/T 26572规定的限量要求以下。

×: 表示该有害物质至少在该部件的某一均质材料中的含量超出GB/T 26572规定的限量要求；

上表中打“X”的部件，应功能需要，部分有害物质含量超出GB/T 26572规定的限量要求，但是符合欧盟RoHS法规要求(属于豁免部分)。

## **SteelSeries Products and Australian Consumer Law**

Our goods come with guarantees that cannot be excluded under Australian consumer law. You are entitled to a repair, replacement, or refund for a major failure and compensation for any other reasonably foreseeable loss or damage. You are also entitled to have the goods repaired or replaced if the goods fail to be of acceptable quality and the failure does not amount to a major failure.

Should your product be defective, you can make a claim under Australian consumer law.

SteelSeries will provide its own remedies equivalent to those remedies in the consumer guarantee provisions of the Australian Consumer Law at any time within 24 months of the date of purchase. For the avoidance of doubt, SteelSeries acknowledges that the Australian Consumer Law may provide for remedies beyond 24 months for a number of its products.

## **Summary of Australian statutory consumer guarantees**

### **Consumer guarantees in relation to goods**

The goods will be of acceptable quality, The goods will be fit for a particular purpose, The goods will match their description, The goods will match the sample or demonstration model, You have title to the goods, You have undisturbed possession of the goods, There are no undisclosed securities on the goods.

### **Consumer guarantees in relation to services**

We will provide the services with due care and skill, The services will be fit for a particular purpose, The services will be provided within a reasonable time.

For SteelSeries-branded goods, in addition to the above, we also guarantee that we will provide repairs or spare parts for a reasonable time. Under Australian consumer law, the remedy you are entitled to if a product fails to meet a consumer guarantee will depend on whether the failure to comply with the guarantee is major or minor.

Minor failures to comply with a consumer guarantee can normally be fixed or resolved in a reasonable amount of time. In this case, the seller can choose to offer you a refund, replacement, repair or, in the case of services, resupply. If the seller does not fix the problem or takes too long, you may be able to get it fixed by someone else and recover the costs from the seller depending on the circumstances.

### **Remedies for major failure with goods**

Return the product and ask for a refund, Return the product and ask for an identical replacement, or one of similar value if reasonably available, Keep the product and ask for compensation for the drop in value caused by the problem.

### **Remedies for major failure with services**

Cancel the contract and pay a reasonable amount for the work done, or seek a refund, For money already paid, keep the contract and negotiate a reduced price for the drop in value of the service — this may mean asking for some of your money back if you have already paid.

For goods, there is a major failure to comply with a consumer guarantee when:

- You would not have purchased the product if you had known about the problem.
- The product is significantly different from the description, sample or demonstration model you were shown.
- The product is substantially unfit for its normal purpose and cannot easily be made fit within a reasonable time.
- The product is substantially unfit for a purpose that you told the supplier about, and cannot easily be made fit within a reasonable time.
- The product is unsafe.

**For services, there is a major failure to comply with a consumer guarantee when:**

- You would not have engaged the service if you had known the nature and extent of the problem.
- The service does not meet the reasonable expectations for that type of service, and the problem cannot be rectified within a reasonable time.
- You told the supplier that you wanted the service for a specific purpose, which was not fulfilled, and the problem could not be easily rectified within a reasonable time.
- You told the supplier that you wanted a specific result, yet the service and end result failed to meet your specifications and could not be easily rectified within a reasonable time.
- The supply of the service has created an unsafe situation.

For information on Australian consumer laws, please visit Australian consumer law website at <http://www.consumerlaw.gov.au>.

**Importer Name and Address:** Ingram Micro Pty LTD / Level1, 61 Dunning Avenue. Rosebery NSW 2018

**Telephone technical support:** +61-2-9381-6000

**Restriction on Hazardous Substances statement (India)**

This product complies with the "India E-waste Rule 2011" and prohibits use of lead, mercury, hexavalent chromium, polybrominated biphenyls or polybrominated diphenyl ethers in concentrations exceeding 0.1 weight % and 0.01 weight % for cadmium, except for the exemptions set in Schedule 2 of the Rule.

**Ukraine RoHS:**

Обладнання відповідає вимогам Технічного регламенту щодо обмеження використання деяких небезпечних речовин в електричному та електронному обладнанні, затвердженого постановою Кабінету Міністрів України від 3 грудня 2008 № 1057.

Product Name (產品名稱/产品名称): Headset (耳機/耳机)

Model No. (型號/型号): HS-00030

Rated (規格/规格): 3.5mm Audio Plug

Made in China 中國製造/中国制造

- 상호명: SteelSeries ApS.
- 기기명칭: Headset
- 모델명: HS-00030
- 제조사/제조국: SteelSeries ApS./China

Regions	Contact Information	
Asia 亞洲	<b>SteelSeries ApS. Taiwan Branch</b> 16F, No.150, Jian-Yi Rd., Chung-Ho Dist, New Taipei City, Taiwan, R.O.C.(235) 丹麥商賽睿有限公司台灣分公司 新北市中和區建一路150號16樓	+886 2 8226 3858
USA	<b>SteelSeries North America</b> 656 W Randolph St, Suite 3E, Chicago, IL 60661, USA	+1 312 258 9467
Europe	<b>SteelSeries ApS.</b> Dirch Passers Allé 27, 5.Sal., 2000 Frederiksberg, Denmark	+45 702 500 75

More information and support from [steelseries.com](https://steelseries.com)



learn more at [steelseries.com](https://steelseries.com)